

**OPERATIONS & PARTS MANUAL**

**FOR MODELS:**  
• BE-VBM220

PURCHASE DATE	MODEL NO.	SERIAL NUMBER
DEALER		

## **TABLE OF CONTENTS**

<b>3</b>	SAFETY
<b>7</b>	INTRODUCTION
<b>8</b>	ASSEMBLY, SET-UP & OPERATING INSTRUCTIONS
<b>9</b>	ADJUSTMENTS
<b>10</b>	MAINTENANCE AND LUBRICATION
<b>11</b>	SPECIFICATIONS & CAPACITIES
<b>12</b>	TROUBLESHOOTING & APPENDIX
<b>14</b>	EXPLODED VIEW & PARTS LIST

## **IMPORTANT SAFETY INFORMATION**

### **Safety At All Times**

Thoroughly read and understand the instructions given in this manual before operation. Refer to the “Safety Decal” and read all instructions noted.

Do not allow anyone to operate this equipment who has not fully read and comprehended this manual and who has not been properly trained in the safe operation of the equipment.

- Operator should be familiar with all functions of the unit.
- Operate implement from the driver’s seat only.
- Make sure all guards and shields are in place and secured before operating the implement.
- Do not leave tractor or implement unattended with engine running.
- Dismounting from a moving tractor could cause serious injury or death.
- Do not stand between tractor and implement during hitching.
- Keep hands, feet, and clothing away from power-driven parts.
- Wear snug fitting clothing to avoid entanglement with moving parts.
- Watch out for wires, trees, etc., when raising implement. Make sure all persons are clear of working area.
- Turning tractor too tight may cause implement to ride up on wheels. This could result in injury or equipment damage.

### **Look For the Safety Alert Symbol**

The SAFETY ALERT SYMBOL indicates there is a potential hazard to personal safety involved and extra safety precaution must be taken. When you see this symbol, be alert and carefully read the message that follows it. In addition to design and configuration of equipment, hazard control and accident prevention are dependent upon the awareness, concern, prudence and proper training of personnel involved in the operation, transport, maintenance and storage of equipment.

### **Be Aware Of Signal Words**

A signal word designates a degree or level of hazard seriousness. The signal words are:

#### **DANGER**

Indicates an imminently hazardous situation which, if not avoided, will result in death or serious injury. This signal word is limited to the most extreme situations, typically for machine components that, for functional purpose, cannot be guarded.

#### **WARNING**

Indicates a potentially hazardous situation which, if not avoided, could result in death or serious injury, and includes hazards that are exposed when guards are removed. It may also be used to alert against unsafe practices.

#### **CAUTION**

Indicates a potentially hazardous situation which, if not avoided, may result in minor or moderate injury. It may also be used to alert against unsafe practices.

### **For Your Protection**

- Thoroughly read and understand the “safety label” section, read all instructions noted.

#### **Shutdown And Storage**

- Lower machine to ground, put tractor in park, turn off engine, and remove ignition key.
- Detach and store implements in an area where children normally do not play. Secure implement by using blocks and supports.

#### **Use Safety Lights And Devices**

- Slow moving tractors, self-propelled equipment, and towed implements can create a hazard when driven on public roads. They are difficult to see, especially at night.
- Flashing warning lights and turn signals are recommended whenever driving on public roads. Use lights and devices provided with implement.

### **Transport Machinery Safely**

- Comply with state and local laws.
- Maximum transport speed for implement is 20 mph. Do not exceed. Never travel at a speed which does not allow adequate control of steering and stopping. Rough terrain requires a slower speed.
- Sudden braking can cause a towed load to swerve and upset. Reduce speed if towed load is not equipped with brakes.
- Use the following maximum speed - tow load weight ratios as a guideline: 20 mph when weight is less than or equal to the weight of tractor. 10 mph when weight is double the weight of tractor.
- **IMPORTANT:** Do not tow a load that is more than double the weight of tractor.

### **Keep Riders Off Machinery**

- Riders obstruct the operator's view. They can be struck by foreign objects or thrown from the machine.
- Never allow children to operate equipment.

### **Practice Safe Maintenance**

- Understand all procedures before doing work. Use proper tools and equipment. Refer to Operator's Manual for additional information.
- Work in a clean dry area.
- Lower implement to the ground, put tractor in park, turn off engine, and remove key before performing maintenance.
- Allow implement to cool completely.
- Do not grease or oil implement while it is in operation.
- Inspect all parts. Make sure parts are in good condition and installed properly.
- Remove buildup of grease, oil and debris.
- Remove all tools and unused parts from implement before operation.

### **Prepare For Emergencies**

- Be prepared if a fire starts.
- Keep a first aid kit and fire extinguisher handy.
- Keep emergency numbers for doctor, ambulance, hospital and fire department near phone.

### **Wear Protective Equipment**

- Protective clothing and equipment should be worn.
- Wear clothing and equipment appropriate for the job. Avoid loose fitting clothing.
- Prolonged exposure to loud noise can cause hearing impairment or hearing loss. Wear suitable hearing protection such as earmuffs or earplugs.
- Operating equipment safely requires the full attention of the operator. Avoid wearing headphones while operating machinery.

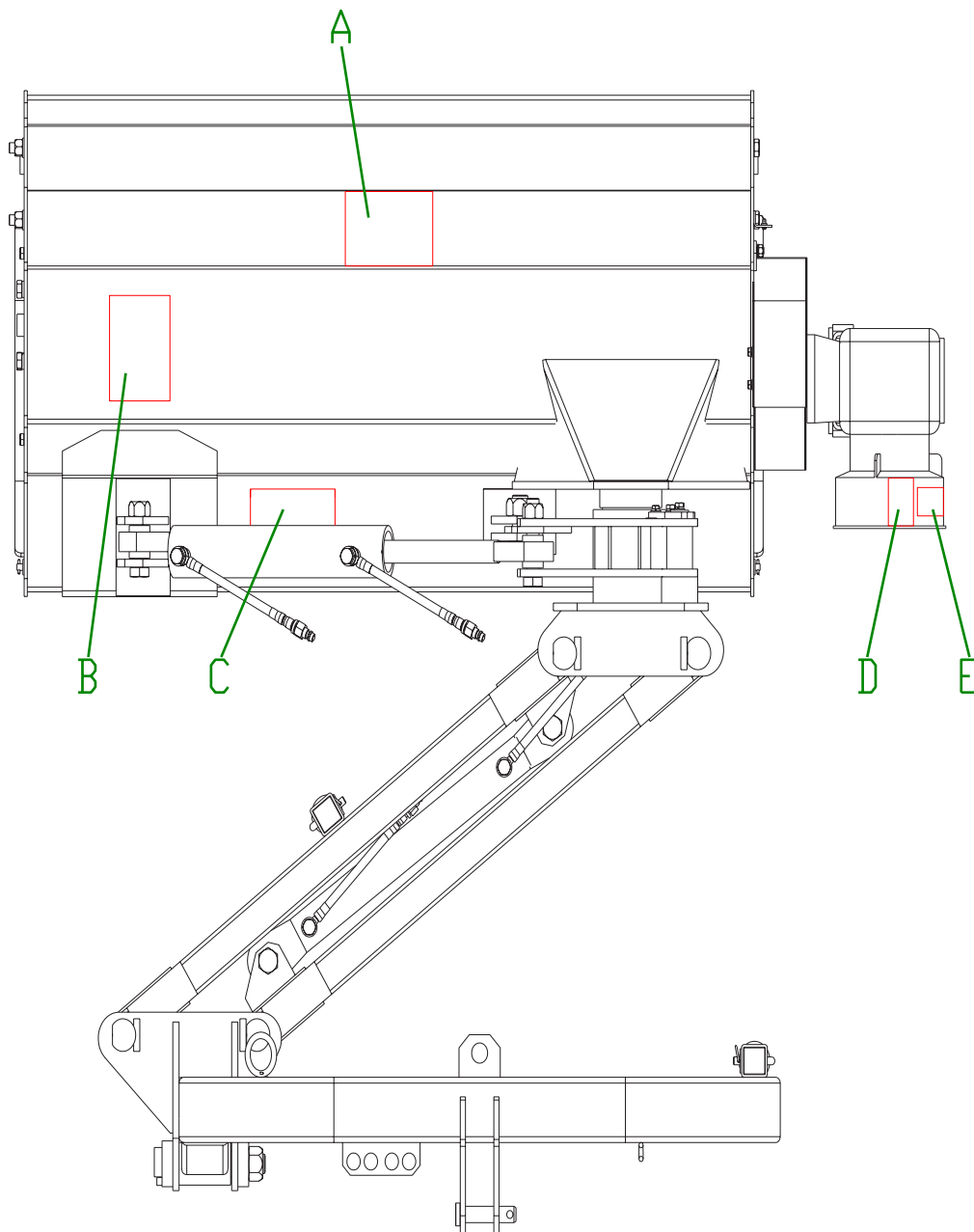
### **Avoid High Pressure Fluids Hazard**

- Escaping fluid under pressure can penetrate the skin causing serious injury.
- Avoid the hazard by relieving pressure before disconnecting hydraulic lines.
- Use a piece of paper or cardboard, not body parts, to check for suspected leaks. Wear protective gloves and safety glasses or goggles when working with hydraulic systems.
- If an accident occurs, see a doctor immediately. Any fluid injected into the skin must be treated within a few hours or gangrene may result.

## Safety Labels

Your Flail Mower comes equipped with all safety labels in place. They were designed to help you safely operate your mower. Read and follow their directions.

1. Keep all safety labels clean and legible.
2. Replace all damaged or missing labels. To order new labels contact Braber Equipment at 1-877-588-3311.
3. Some new equipment installed during repair requires safety labels to be affixed to the replaced component as specified by Braber Equipment. When ordering new components make sure the correct safety labels are included in the request.
4. Refer to this section for proper label placement. To install new labels:
  - Clean the area where the label is to be placed.
  - Spray soapy water on the surface where the label is to be placed.
  - Peel backing from label. Press firmly onto surface.
  - Squeeze out air bubbles with the edge of a credit card.



A



B



C



D



E



## Introduction

Braber Equipment welcomes you to the growing family of new product owners. This implement has been designed with care and was built by skilled workers using quality materials. Proper assembly, maintenance, and safe operating practices will help you get years of satisfactory use from the machine.

## Application

The Flail Mowers are designed for Category 1 - Three point hitch or Quick-Hitch System mounting. These Fixed Bar Flail Mowers are ideal for ripping, leveling, finish grading, and backfilling applications at feedlots, outdoor arenas, building sites, and maintenance operations on farm and ranch lanes or roadways.

## Using This Manual

- This Operator's Manual is designed to help familiarize you with safety, assembly, operation, adjustments, troubleshooting, and maintenance. Read this manual and follow the recommendations to help ensure safe and efficient operation.
- The information contained within this manual was current at the time of printing. Some parts may change slightly to ensure continued high-quality performance.
- To order a new Operator's or Parts Manual contact Braber Equipment at 1-877-588-3311.

## Terminology

"Right" or "Left" as used in this manual is determined by facing the direction the machine will operate while in use unless otherwise stated.

## Definitions

Note: A special point of information that the operator must be aware of before continuing.

### **IMPORTANT:**

A special point of information related to its preceding topic. The intention is that this information should be read and noted before continuing.

## Owner Assistance

The Warranty Registration card should be filled out by the dealer at the time of purchase. This information is necessary to provide you with quality customer service. If customer service or repair parts are required contact a dealer. A dealer has trained personnel, repair parts and equipment needed to service the machine. The parts on your machine have been specially designed and should only be replaced with genuine parts.

## Serial Number Plate

For prompt service always use the serial number and model number when ordering parts from your dealer. Be sure to include your serial and model numbers in correspondence also.

## ASSEMBLY AND SET-UP

### Tractor Requirements

This mower is designed with a 3-Point category one hitch. Tractor horse power rating should not exceed 80 PTO horse power.

### Assembly

Refer to the parts illustration.

### Tractor Hook-Up

1. Be certain that the tractor draw bar will not interfere. Move the draw bar ahead or remove if required. The draw bar should also be checked for clearance when unit is being raised for the first time.
2. Align lower link arms of tractor to hitch clevises on mower. Insert lower hitch pins into lower ball swivels and attach lynch pins.
3. Attach tractor top link to upper floating hitch on mower with pin supplied. Secure with lock pin.
4. Adjust tractor top link in or out to place upper hitch pin vertically above or slightly behind lower hitch pins to allow mower flotation. The mower should be run with the back 15 degrees lower than the front.

### Driveline Installation

1. Slide driveline end with extended safety cone over splined shaft of gearbox and secure with attaching device.
2. Slide driveline over tractor's splined PTO shaft and secure with locking device of driveline.
3. Driveline should now be moved back and forth to ensure that it is secure on the PTO shaft of the tractor and mower gearbox.
4. Attach chain from the driveline shield to one of the upper hitch braces to ensure that the shield does not rotate.
5. Should driveline require shortening:
  - Hold the half-shafts next to each other in the shortest working position and mark them.
  - Shorten inner and outer guard tubes equally.
  - Shorten inner and outer sliding profiles by the same length as the guard tubes.
  - Proper overlap is a minimum of one-half the length of each tube, with both tubes being of equal length.
  - Round off all sharp edges and remove burrs. Grease sliding profiles.

### CAUTION

Tractor PTO shield and all mower guards must be in place at all times during operation!

## OPERATING INSTRUCTIONS

### Transporting

NOTE: Always disengage PTO before raising mower to transport position.

1. When raising the mower to transport position, be sure that driveline does not contact tractor or mower. Adjust and set the tractor's 3-point hitch lift height so that the driveline does not contact mower deck in the fully raised position.
2. Be sure to reduce tractor ground speed when turning, leaving enough clearance so that the mower does not contact obstacles such as buildings, trees or fences.
3. Select a safe ground travel speed when transporting from one area to another. When traveling on roadways, transport in such a way that faster moving vehicles may pass safely.
4. When traveling over rough or hilly terrain, shift tractor to a lower gear.

### CAUTION

When traveling on public roads, whether at night or during the day, use accessory lights and devices for adequate warning to operators of other vehicles. Comply with all federal, state, and local laws.



## Mowing Instructions

1. Clear area to be mowed of objects and debris that might be picked up and thrown by the mower blades.
2. Grass is best cut when it is dry. Mowing wet grass can cause clogging resulting in grass clumps behind the mower.
3. Grass should be mowed frequently as shorter clippings deteriorate faster.
4. If mowing extremely tall grass, it is best to raise cutting height and mow the area, then lower cutting height and mow a second time at the desired height.

## Operating Instructions

Proper servicing and adjustments are the key to the long life of any machine. With careful and systematic inspection of the mower, costly maintenance, time, and repair can be avoided.

Before beginning to mow, the following inspection should be performed:

1. Check oil level in gearbox.
2. Check that all plugs in gearbox have been replaced and tightened properly.
3. Be sure all mower knives, bolts and nuts are tight.
4. Be certain all guards and shields are in place and secure.
5. Grease driveline shaft and all other grease fittings.
6. Clear area to be mowed of rocks, branches and other foreign objects.
7. Lower mower to ground. Set tractor throttle at approximately 1/4 open. Engage PTO to start blades rotating.
8. Operate with 540 rpm PTO tractor.
9. At first begin mowing at a slow forward speed and shift up until the desired speed is achieved, maintaining 540 PTO rpm.
10. Mower knives will cut better at a faster blade speed than at reduced throttle.
11. After mowing the first 50 feet, stop and check to see that the mower is adjusted properly.
12. Do not make sharp turns or attempt to back up while mower is on the ground.
13. Do not engage PTO with mower in the fully raised position. Do not engage PTO at full throttle.

## ADJUSTMENTS

### Leveling The Mower

NOTE: Tractor and mower should be on level ground.

Leveling can be adjusted at the tractor's 3-point arms and center link.

### Cutting Height Adjustment

The machine's cutting height depends on the position of the rear roller.

1. Remove the bolts that fix the roller on both sides.
2. Lift or lower both sides of roller in equal measurements.
3. Replace bolts and re-tighten.

### 3-Point Hitch Adjustments

The 3-point hitch system on this mower has been designed for front to back flotation when mowing on uneven terrain. Adjust tractor's top center link to place the upper hitch pin vertically above or slightly behind the lower hitch pins. The mower should be run with the back 15 degrees lower than the front.

The hitch can also be adjusted from side to side by turning the adjustment handle. Turn handle until you have achieved your desired location.

## CAUTION

Engage parking brake, shut off tractor, remove key and disengage PTO before making any height adjustments!

## Belt Tension

### CAUTION

Belt drive system under spring tension; use care to avoid bodily harm!

The belt tension should be checked after the first 20 hours of use, and then every 40 hours of use.

1. Tension on the belt can be adjusted with the belt tension bolt. Turn the bolt until desired tension is achieved. When the belt has the correct tension the gearbox should be adjusted so that the gearbox extension is running straight (parallel) with the flail mower. Loosen bolts at the bottom of the gearbox and move gearbox until gearbox extension is running straight.
2. Excessive tension on the belt may lead to premature failure of belt and drive components.

### CAUTION

Excessive tension on the belt may lead to premature failure of belt and drive components. Excessive tension on the belt may also lead to a safety hazard to the operator or bystanders.

## MAINTENANCE AND LUBRICATION

### Maintenance

Proper servicing and adjustment is the key to the long life of any farm implement. With careful and systematic inspection, you can avoid costly maintenance, time, and repair.

### CAUTION

For safety reasons, each maintenance operation must be performed with tractor PTO disengaged, mower lowered completely to the ground, and tractor engine shut off with ignition key removed.

- After using the mower for several hours, check all bolts to be sure they are tight and check drive belt tension.
- Replace any worn, damaged or illegible safety decals by obtaining new decals from dealer.

### Knife Replacement

IMPORTANT: Make sure that each knife is the same length as the others on the mower. This will keep the rotor rotation balanced.

1. Remove bolt and nut.
2. Remove old knife.
3. Install new knife and existing bolt.
4. Secure with nut.

### V-Belt Installation

### CAUTION

Belt drive system under spring tension; use care to avoid bodily harm!

1. Remove belt guard fender and belt cover.
2. Disengage belt tension by loosening belt tension bolt until belt can be removed.
3. With tension relieved from belt remove old belt from pulleys.
4. Tighten belt tension bolt.
5. Reinstall belt guard and belt guard fender.

## Storage

At the end of the working season or when the mower will not be used for a long period, it is good practice to clean off any dirt or grease that may have accumulated on the mower and any of moving parts.

1. Clean as necessary.
2. Check knives for wear and replace if necessary.
3. Inspect mower for loose, damaged or worn parts and adjust or replace as needed.
4. Store unit inside if possible for longer life.
5. Repaint parts where paint is worn or scratched to prevent rust.
6. Replace all damaged or missing decals.

## Lubrication

- Driveline Shaft U-Joints  
Type of Lubrication: Multi-Purpose Grease
- Roller Bearing (Both Ends)  
Type of Lubrication: Multi-Purpose Grease
- Cutter Rotor Bearing (Both Ends)  
Type of Lubrication: Multi-Purpose Grease



- Driveline Profiles  
Type of Lubrication: Multi-Purpose Grease



- Gearbox  
Type of Lubrication: SAE 90W Gear Lube  
Check oil level in gearbox by removing the plug located on the right hand side. Oil should be level with bottom of plug hole. Add oil if necessary by removing top fill plug and side plug. Add oil until it flows from side plug hole.  
Do not overfill!  
**IMPORTANT:** Mower should be level when checking oil in gearbox!



## SPECIFICATIONS & CAPACITIES

Uses:

The Verge Flail Mower is a flail mower with a hydraulic arm for clearing larger, wider areas, roadside verge, orchards and various inclining and declining land surfaces. Specifically designed for universal use, the head of the mower can be operated in line with the tractor or offset for verge maintenance and field boundaries.

MODEL	VBM-140D	VBM-160D	VBM-180D	VBM-200D	VBM-220D
Structure Weight	644kg	672KG	705kg	705kg	804kg
Tilt-Up	90°				
Tilt-Down Angle	53°				
Cutting Width	1400mm	1600mm	1800cm	2000cm	2200cm
Final Type	Hammer				
Number of Flails	12	14	16	18	20
Vertical Extending Distance	1780mm	1980mm	2180mm	2380mm	2880mm
Horizontal Extending Distance	2345mm				
PTO Speed	540r/min				
Tractor HP	50-85hp		70-110hp	80-110hp	90-120hp

## TROUBLESHOOTING

### **⚠ CAUTION**

Do not try to clean rear discharge area when mower is running. Bodily harm may occur!

PROBLEM	SOLUTION
Belt slipping	Unplug and clean mower deck.
	Remove belt guard shields and clean sheaves.
	Replace belt.
Patches of uncut grass	Mow at full throttle (540 PTO rpm), check PTO speed and tractor engine.
	Shift transmission to a lower gear.
	Tighten belts.
	Replace missing knives.
Excessive vibration	Replace knives.
	Replace drive belt.
	Replace pulleys or align.
	Remove belt guard shields & clean debris from belt area & sheaves.
Gearbox noisy	Check lubricant level.
Knives scalping grass	Raise cutting height by adjusting roller.
	Change mowing pattern.
	Reduce speed turns.
Uneven cut	Shift to a lower gear.
	Level mower.
	Replace missing knives.
Tractor loaded down by mower	Mow at full throttle (540 PTO rpm).
	Shift to a lower gear.
	Clean mower.

## APPENDIX

### Bolt Torque

The tables shown below give correct torque values for various bolts and cap screws. Tighten all bolts to the torques specified unless otherwise noted. Check tightness of bolts periodically, using bolt torque chart as a guide. Replace hardware with the same strength bolt.

### ENGLISH TORQUE SPECIFICATIONS

BOLT DIAMETER	BOLT TORQUE					
	SAE 2		SAE 5		SAE 8	
	N.M.	LB-FT	N.M.	LB-FT	N.M.	LB-FT
1/4"	8	6	12	9	17	12
5/16"	13	10	25	19	36	27
3/8"	27	20	45	33	63	45
7/16"	41	30	72	53	100	75
1/2"	61	45	110	80	155	115
9/16"	95	60	155	115	200	165
5/8"	128	95	215	160	305	220
3/4"	225	165	390	290	540	400
7/8"	230	170	570	420	880	650

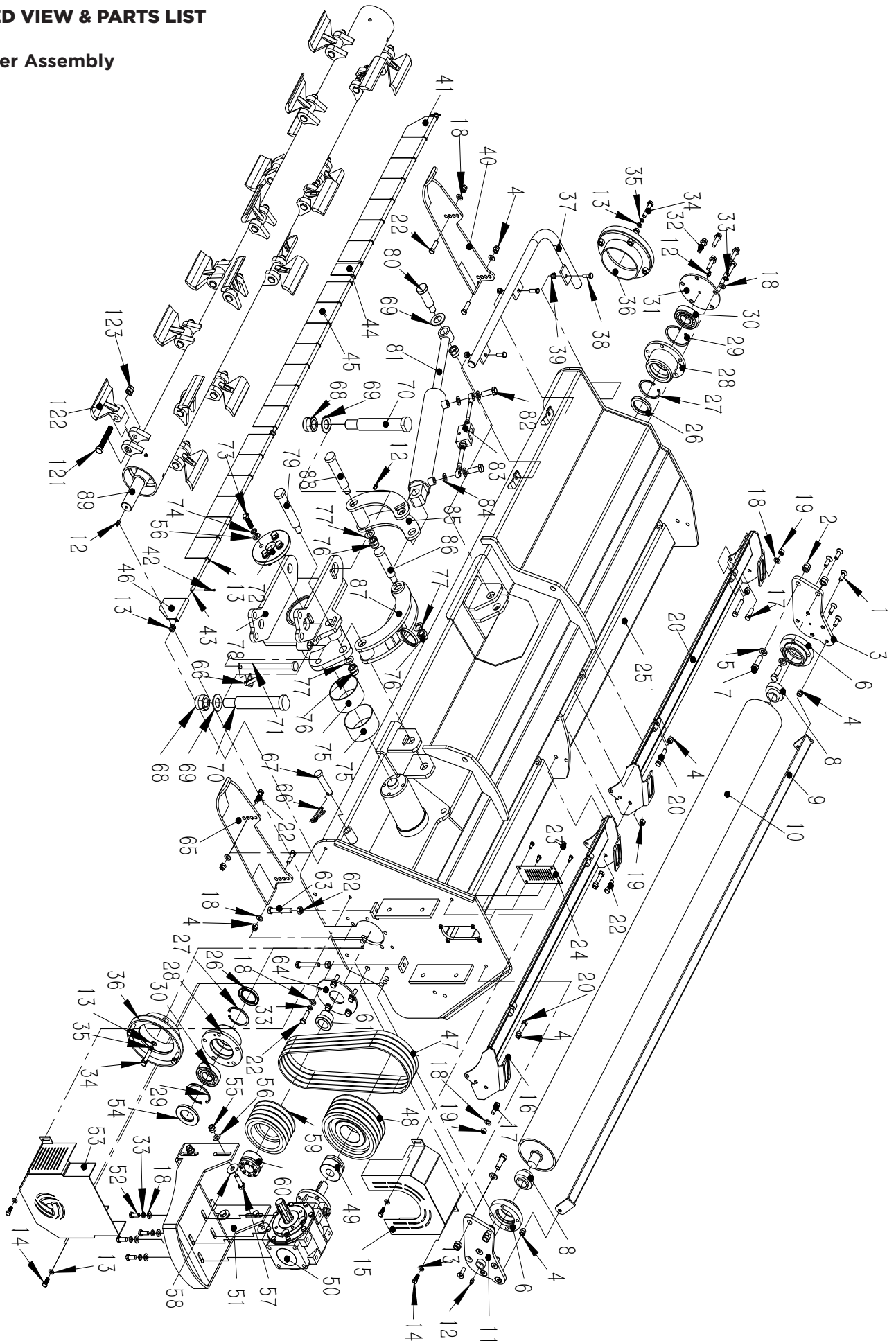
## METRIC TORQUE SPECIFICATIONS

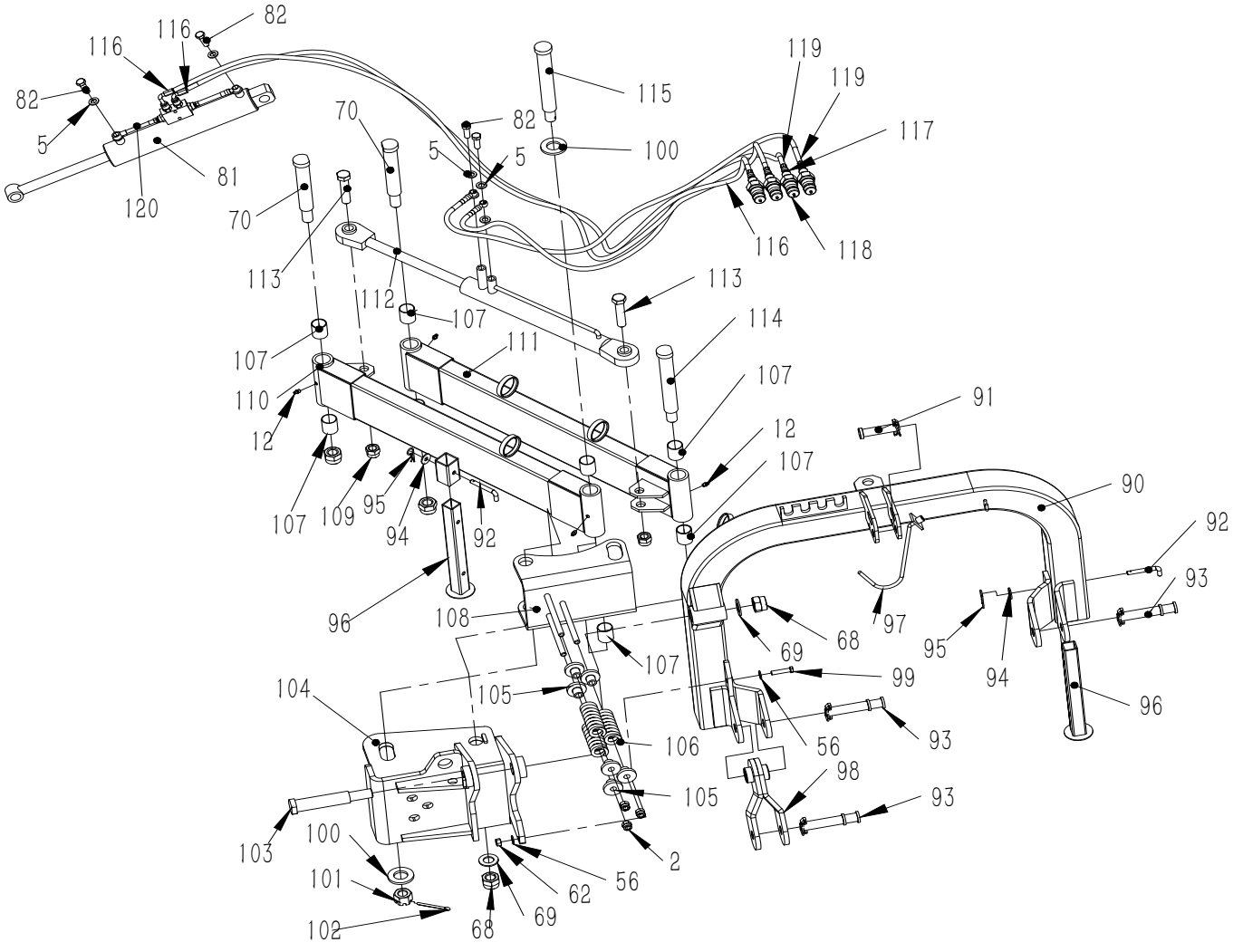
BOLT DIAMETER	BOLT TORQUE			
	8.8		10.9	
	N.M.	LB-FT	N.M.	LB-FT
M3	0.5	0.4	1.8	1.3
M4	3	2.2	4.5	3.3
M5	6	4	9	7
M6	10	7	15	11
M8	25	18	35	26
M10	50	37	70	52
M12	90	66	125	92
M14	140	103	200	148
M16	225	166	310	229
M20	435	321	610	450
M24	750	553	1050	744
M30	1495	1103	2100	1550
M36	2600	1917	3675	2710

Torque figures indicated above are valid for non-greased or non-oiled threads and heads unless otherwise specified. Therefore, do not grease or oil bolts or cap screws unless otherwise specified in this manual. When using locking elements, increase torque values by 5%.

# EXPLODED VIEW & PARTS LIST

## Flail Mower Assembly





REF	PART NUM	DESCRIPTION	QTY
1	GB/T 70.3	Bolt M12*35	10
2	GB/T 5782	Nut M16	7
3	VBMD220.48	Connection plate for rear 1 roller R	1
4	GB/T 5782	Locknut	10
5	GB/T 97.1	Plain washer 16	10
6	EFGC125.115A	Bearing seat of rear roller	2
7	GB/T 5783	Bolt M16*45	4
8	UC207-Z	Bearing UC207-Z	2
9	VBMD220.43	Scraper weldment	1
10	VBMD220.44	Roller weldment	1
11	VBMD220.42	Connection plate for rear roller L	1
12	JB/T 7940.1	Grease nipple M10*1	10
13	GB/T 97.1	Plain washer 10	39
14	GB/T 5783	Bolt M10*25	4
15	VBMD220.39	Belt cover weldment	1
16	VBMD220.29	Rear open bonnet	1
17	GB/T 5783	Bolt M12*35	2
18	GB/T 97.1	Plain washer 12	20
19	GB/T 6170	Nut M12	3
20	GB/T 5783	Bolt M12*60	4
20	VBMD220.28	Rear open bonnet	1
22	GB/T 5783	Bolt M14*40	10
23	GB/T 5783	Bolt M8*16	4
24	VBMD220.38	Plate O1	1
25	VBMD220.26	Mower deck weldment	1
26	GB 13871-94	Oil seal 55*80*8	2
27	GB/T 893.1	Circlip 80	2
28	VBMD220.34	Outside bearing seat	2
29	GB/T 893.1	Circlip 88	2
30	GB/T 281	Bearing 88	2
31	VBMD220.33	Cover weldment	1
32	GB/T 5783	Bolt M12*45	5
33	GB/T 93	Spring washer 12	15
34	GB/T 3541	Bolt M23*55	8
35	GB/T 93	Circlip 10	8
36	VBMD220.35	Cover weldment for rotor	2
37	VBMD220.27	Anti-shock weldment	1
38	GB/T 5783	Bolt M10*30	3
39	GB/T 5782	Nut M10	3
40	VBMD220.31	Skid O1	1
41	EFGC175.24C	Wide fender 95	1
42	GB/T 91	Cotter 3.2*40	2
43	VBMD220.30	Bar for fender	1
44	EFGC175.24B	Wide fender 55	1
45	EFGC175.24A	Wide fender 95	19
46	EFGC175.24D	Wide fender 95	1
47	GB/T 11544-97	V-belt	4
48	EFGC175.31	Big pulley	1
49	JBT7934 Z3	Power lock 33*80	1

REF	PART NUM	DESCRIPTION	QTY
50		Gearbox	1
51	VBMD220.40	Gearbox mounting plate	1
52	GB/T 5783	Bolt M12*30	4
53	AGF220.41	Bottom belt cover	1
54	GB13871-94	Oil seal 55*90*8	1
55	GB/T 5782	Lock nut M14	4
56	GB/T 97.1	Plain washer 14	10
57	GB/T 5783	Bolt M14*45	4
58	GB/T 96.1	Big washer 14	4
59	EFGC175.27	Small belt pulley	1
60	JB/T7934 Z3	Power lock 40*80	1
61	VBMD220.37	Bushing	1
62	GB/T 6170	Nut M14	3
63	GB/T 5783	Bolt M14*90	2
64	VBMD220.36	Cover O2	1
65	VBMD220.32	Skid O2	1
66	200.56.011	Pin weldment	2
67	VBMD220.16	Lock pin O2	1
68	GB/T 5782	Lock nut M30	4
69	GB/T 97.1	Plain washer 30	5
70	AGF140.101	Long pin	2
71	AGF220.15	Long pin O1	1
72	VBMD220.17	Cover	1
73	GB/T 5783	Bolt M14*45	4
74	GB/T 93	Spring washer 14	4
75	SF-2	Bushing Ø115XØ110X60	2
76	GB/T 5782	Lock nut M20	4
77	GB/T 97.1	Washer 20	4
78	VBMD220.14	Swing shaft weldment	1
79	VBMD220.18	Pin shaft O3	1
80	VBMD220.24	Pin shaft O6	1
81	VBMD220.22	Swing cylinder	1
82	GB/T 3541	Bolt M16*1.5*45	4
83	AGF140.046	Locking valve	1
84	GB/T 97.1	Plain washer 16	2
85	VBMD220.20	Connection weldment (bottom)	1
86	VBMD220.21	Pin shaft O4	1
87	VBMD220.19	Connection weldment (top)	1
88	VBMD220.23	Pin shaft O5	1
89	AGF220.45	Rotor weldment	1
90	VBMD220.1	3-point-linkage weldment	1
91	VBMD220.4	Top pin weldment	1
92	1G135.00.107	Foot stand weldment	2
93	VBMD220.5	Low pin weldment	3
94	GB/T 96.1	Big washer 12	2
95	EFGC125.110	R pin 3.2	2
96	VBMD220.3	Long foot weldment	2
97	EFGC125.124	Hook	1
98	AGF140.031	Small connection weldment	1



REF	PART NUM	DESCRIPTION	QTY
99			1
100	VBMD220.11	Shaft pin O1 washer	2
101	GB/T 6178	Nut M30	1
102	GB/T 91	Cotter 8*80	1
103	AGF140.106	Short pin	1
104	VBMD220.2	Bracket weldment	1
105	VBMD220.8	Spring washer	6
106	VBMD220.9	Spring for anti-shock	3
107	SF-2	Bushing Ø44XØ40X50	8
108	VBMD220.7	Connection weldment	1
109	GB/T 5782	Lock nut M24	2
110	AGF140.019	Back arm weldment	1
111	VBMD220.13	Front arm weldment	1
112	AGF140.021	Side shift cylinder	1
113	GB/T 5783	Bolt M24*110	2
114	VBMD220.12	Pin shaft O2	1
115	VBMD220.10	Pin shaft O1	1
116	AGF140.044	Oil pipe	2
117	GE12SR1/2ED	Connection	4
118	GB/T5862-2008	Adaptor G1/2	4
119	AGF140.043	Oil pipe	2
120	AGF140.045	Ball joint assemble	2
121	GB/T 5785	Bolt M16*1.5*100	20
122	AGH200.114	Hammers	20
123	GB/T 6185.2	Lock nut M16*1.5	20



**BRABEREQ.COM**  
**WGSALES@BRABEREQ.COM**

**PHONE: 604-850-7770**  
**FAX: 604-850-7774**  
**TOLL FREE PHONE: 1-877-588-3311**  
**TOLL FREE FAX: 1-800-665-7334**