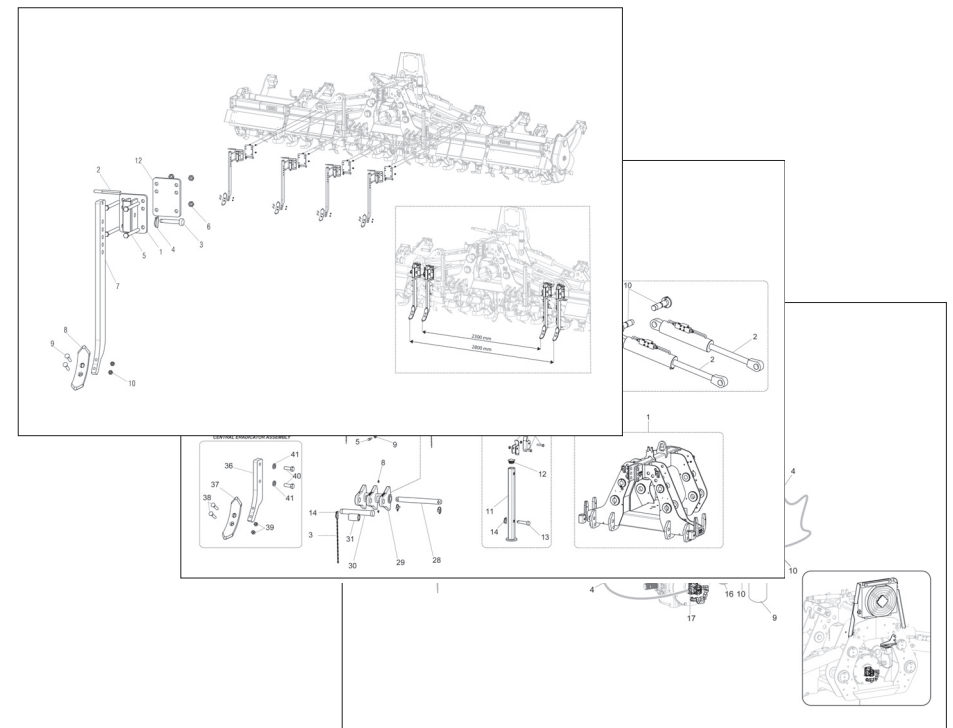


MASCHIO GASPARDO S.p.A.



PANTERA

Cod: F07011082 2014-10

- *) Valido per Paesi UE
- *) Valid for EU member countries
- *) Valable dans les Pays UE
- *) Gilt für EU-Mitgliedsländer
- *) Válido para Países UE

- IT** PARTI DI RICAMBIO
- EN** SPARE PARTS
- DE** ERSATZTEILE
- FR** PIÈCES DÉTACHÉES
- ES** PIEZAS DE REPUESTO

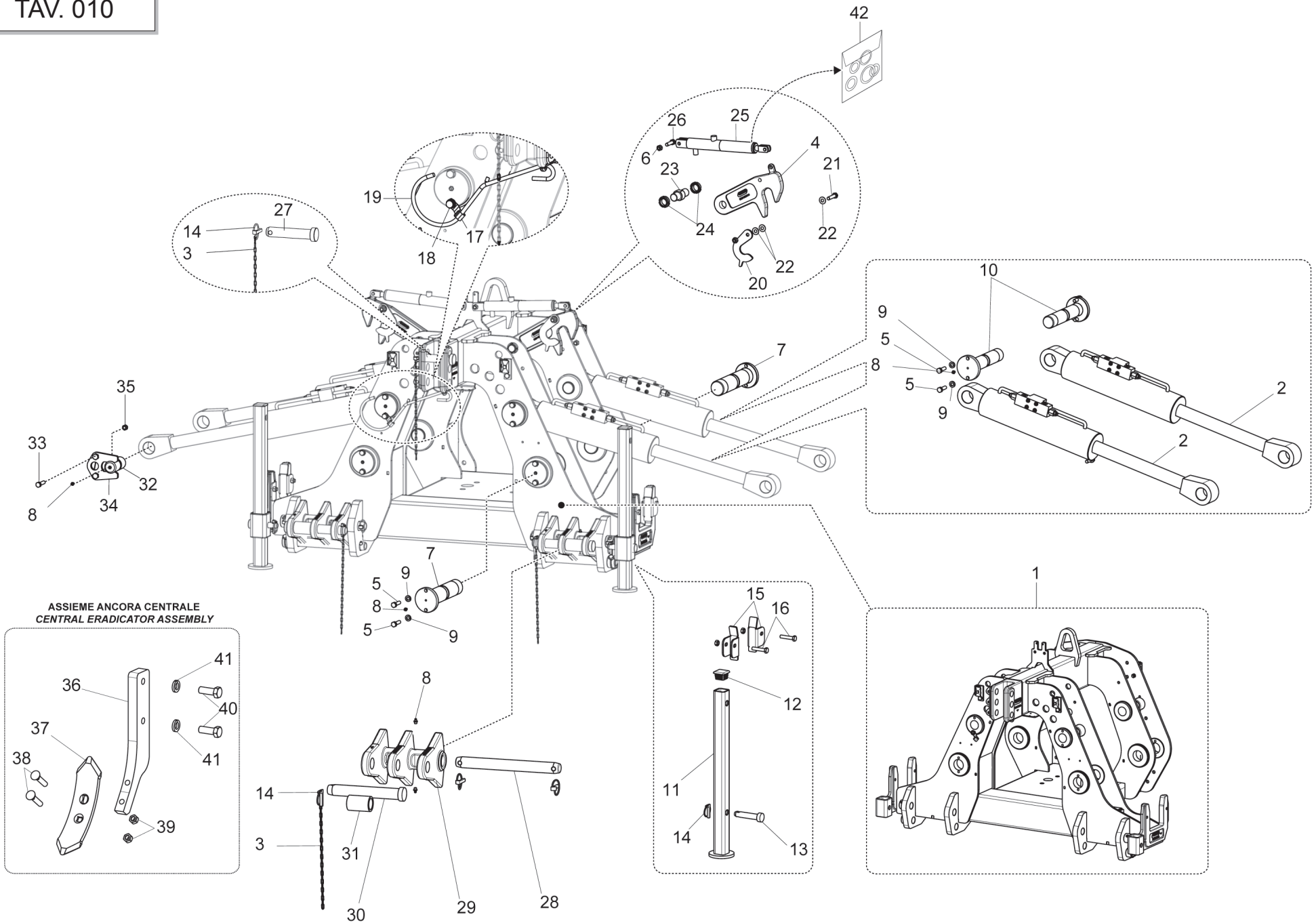
ITALIANO	ENGLISH	DEUTSCH	FRANÇAIS	ESPAÑOL
PARTI DI RICAMBIO	SPARE PARTS	ERSATZTEILE	PIECES DÉTACHÉES	RESPUESTOS
<p>Le ordinazioni delle parti di ricambio vanno fatte presso i nostri concessionari di zona e devono essere sempre corredate dalle seguenti indicazioni:</p> <ul style="list-style-type: none"> - Tipo, modello e numero di matricola dell'attrezzatura. Tali dati sono stampigliati nell'apposita targhetta di cui è dotata ogni attrezzatura. - Numero di codice della parte richiesta rilevabile dal catalogo ricambi. - Descrizione del particolare e quantità richiesta. - Numero della tavola. - Mezzo di trasporto. Nel caso questa voce non sia specificata, la Ditta Costruttrice, pur dedicando a questo servizio una particolare cura, non risponde di eventuali ritardi di spedizione dovuti a cause di forza maggiore. Le spese di trasporto si intendono sempre a carico del destinatario. La merce viaggia a rischio e pericolo del committente anche se venduta franco destino. <p>NOTA: Il termine (Dx) Destro o (Sx) Sinistro della macchina o di parti di essa, è inteso guardando la macchina dalla parte posteriore. Le eccezioni saranno indicate.</p>	<p><i>Orders must be transmitted through our area dealers and should always include the following indications:</i></p> <ul style="list-style-type: none"> - Type, model and serial number of the machine. <i>These data are punched on the data plate with which every implement is equipped.</i> - Code number of the required spare part. <i>This will be found in the spare parts catalogue.</i> - Description of the part and required quantity. - Table number. - Means of dispatch. <i>If this item is not indicated, the Manufacturer, while dedicating particular care to this service, shall not be held responsible for delays in delivery caused by cases of force majeure. Transport expenses shall always be at the consignee's charge. The goods travel at the purchaser's risk and peril even when sold ex destination.</i> <p>NOTE: <i>The symbols (Dx) right and (Sx) left, concerning the machine or single parts of it, are referred, as in the figure, to a rear view of them. Exceptions will be indicated.</i></p>	<p>Die Bestellungen müssen bei unseren Gebietshändlern aufgegeben werden. Bei der Bestellung sind stets die folgenden Angaben zu machen:</p> <ul style="list-style-type: none"> - Typ, Modell und Serien-Nummer des Geräts. Diese Daten stehen auf dem Typenschild, mit dem jedes Gerät versehen ist. - Artikel Nr. der erforderlichen Ersatzteile. Diese stehen im Ersatzteil-Katalog. - Beschreibung des Ersatzteils und die erforderliche Stückzahl. - Tafelnummer. - Versandmittel. Wenn dieser Punkt nicht spezifiziert wird, haftet die Herstellerfirma nicht für etwaigen Lieferverzug aufgrund höherer Gewalt, auch wenn er diesen Service besonders aufmerksam abwickelt. Die Frachtkosten gehen dagegen immer zu Lasten des Empfängers. Die Ware reist auf Gefahr und Risiko des Auftraggebers, auch wenn frei Haus Verkauft vereinbart worden ist. <p>N.B.: Die Merkzeichen (Dx) rechts und (Sx) links betreffen eine rückwärtige Aussicht der Maschine oder Teile von ihr (siehe Bild). Ausnahmen werden gezeigt.</p>	<p><i>Les ordres doivent être effectués auprès de nos concessionaires de zone en précisant les indications suivantes:</i></p> <ul style="list-style-type: none"> - Type, modèle et numéro de série de la machine. <i>Ces données sont gravées sur la plaque d'identification de chaque outil.</i> - Numéro de code de la pièce détachée indiqué sur le catalogue des pièces détachées. - Description de la pièce et quantité requise. - Numéro de plan. - Moyen d'expédition. <i>Si cette rubrique n'est pas indiquée, le Constructeur, bien que soucieux de ce service, ne répond pas des retards d'expédition pour des causes de force majeure. Les frais de transport sont toujours à la charge du destinataire. La marchandise voyage aux risques et périls de l'acheteur même si vendue franco de port.</i> <p>N.B.: <i>Les références (Dx) droit et (Sx) gauche de la machine ou des parties de la même, est entendue, comme de la figure, en regardant la machine de derriere dans le sens de marche.</i></p>	<p>Los pedidos han de efectuarse en nuestros concesionarios de zona y deben incluir siempre las siguientes indicaciones:</p> <ul style="list-style-type: none"> - Tipo, modelo y número de matrícula del equipo. Dichos datos están impresos en la relativa placa presente en el equipo. - Número de código de la parte requerida presente en el catálogo respuestas. - Descripción de la pieza y cantidad requerida. - Numero de ilustración. - Medio de transporte. En caso que este ítem no esté especificado, el Fabricante, aún prestando la debidas consideraciones para este aspecto, no responde por eventuales retardos de env'o debidos a causas de fuerza mayor. Los gastos de transporte se consideraran siempre a cargo del destinatario. La mercadería viaja bajo riesgo y peligro del comprador, incluso cuando se vende franco destino. <p>N.B.: La referencia (Dx) derecha o (Sx) izquierda de la máquina o de sus componentes, se entiende, como en la figura, mirando la máquina por la parte trasera. Se indicarán las excepciones.</p>

INDICE

<i>N° Tavola</i>	<i>Descrizione</i>	<i>Pagina</i>
TAV. 010	Terzo punto	4
TAV. 020	Protezioni rinvio centrale.....	6
TAV. 030	Esploso rinvio centrale 258 giri/min	8
TAV. 040	Esploso rinvio centrale 330 giri/min	10
TAV. 050	Impianto idraulico.....	12
TAV. 060	Trasmissione superiore.....	14
TAV. 070	Trasmissione laterale	16
TAV. 080	Rotore ed utensili	18
TAV. 090	Rotore Condor - Cobra	20
TAV. 100	Lamiere livellatrici	22
TAV. 110	Regolazione idraulica rulli	24
TAV. 120	Impianto di raffreddamento olio.....	26
TAV. 130	Protezioni CE	28
TAV. 140	Cardano centrale	30
TAV. 150	Cardani laterali	32
TAV. 160	Barra fanali.....	34
TAV. 170	Rompitraccia	36
TAV. 180	Vomerino a disco laterale.....	38
TAV. 190	Adattatore per "USA" (quick hitch).....	40

INDEX

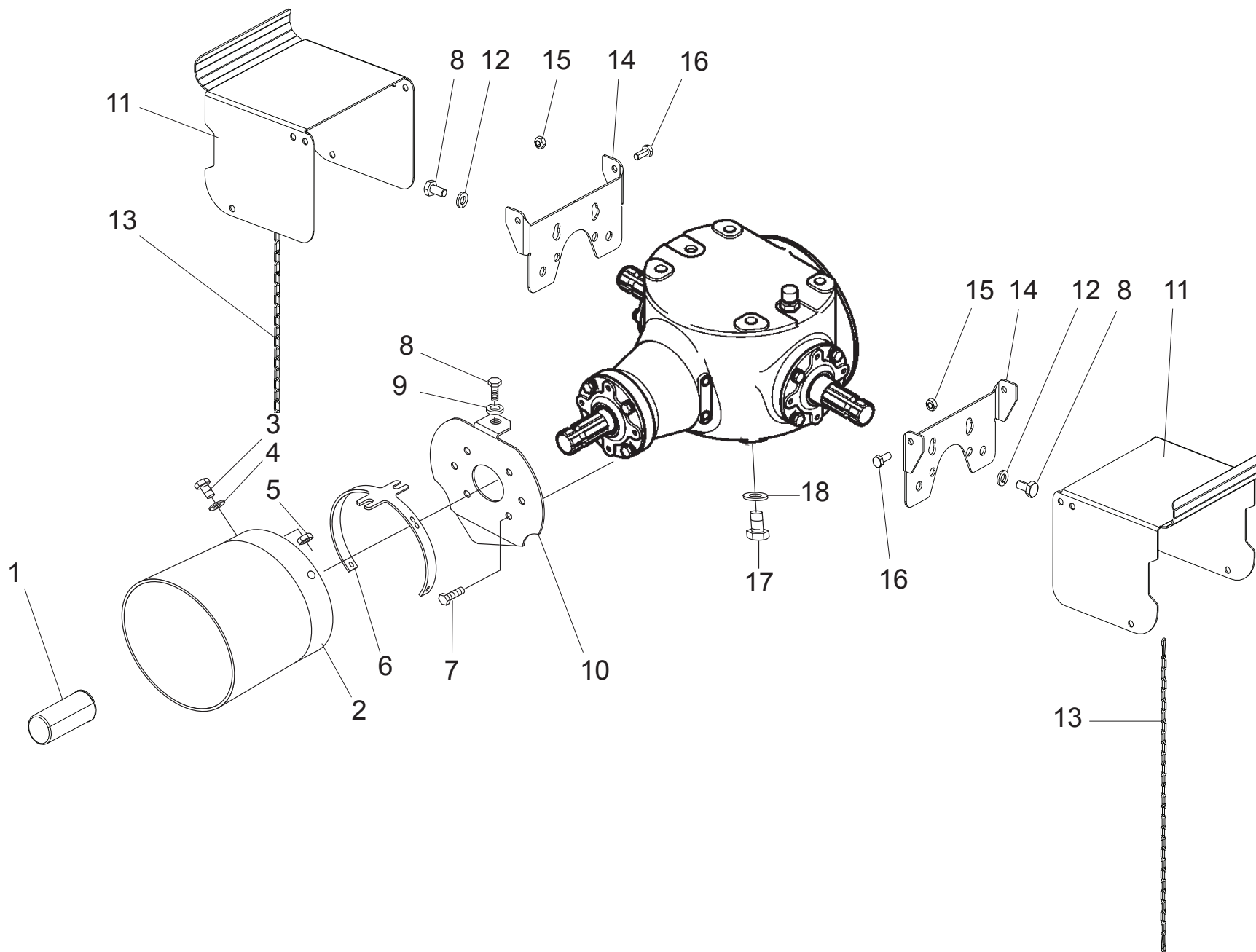
<i>N° Table</i>	<i>Description</i>	<i>Page</i>
TAV. 010	3rd Point hitch	4
TAV. 020	Gearbox protections.....	6
TAV. 030	258 rpm Gearbox exploded drawing.....	8
TAV. 040	330 rpm Gearbox exploded drawing.....	10
TAV. 050	Hydraulic plant	12
TAV. 060	Upper transmission	14
TAV. 070	Side transmission.....	16
TAV. 080	Rotor and blades.....	18
TAV. 090	Rotor Condor - Cobra	20
TAV. 100	Leveling plates	22
TAV. 110	Roller hydraulic adjustment.....	24
TAV. 120	Oil cooler.....	26
TAV. 130	CE Protections	28
TAV. 140	Central cardan shaft.....	30
TAV. 150	Side cardan shafts	32
TAV. 160	Rear lights.....	34
TAV. 170	Track eradictor	36
TAV. 180	Side disc	38
TAV. 190	Adapter for "USA" (quick hitch)	40



TERZO PUNTO / 3RD POINT HITCH

TAV. 010

Pos.	Cod.	Descrizione	Description	Benennung	Description	Description
1	M16700501	TERZO PUNTO PANTERA	THIRD POINT PANTERA			
2	M16700801	MARTIN.IDR.A1105 C361 L774	HYDRAULIC JACK			
3	M58100930	CATENELLA L=476	ASSEMBLY CHAIN DMP L=476	CHAINE L=476	KETTE L=476	CADENA L=476
4	M37400541	AGGANCI ALI	UPPER LOCKER HOOK	CROCHET ARRET SUPERIEUR	OBNENHAKENHALTER	GANCHO DEL CIERRE SUPERIOR
5	F01010291	VITE M12X1,25X40 U5740 8.8ZN	SCR. M12X1,25X40 U5740 8.8ZN	VIS M12X1,25X40 U5740 8.8 ZN	SCHR.M12X1,25X40 U5740 8.8 ZN	TORN. M12X1,25X40 U5740 8.8 ZN
6	F01220047	DADO M12X1,25 D980 8ZN	NUT M12X1,25 D980 8ZN	ECROU M12X1,25 D980 8 ZN	MUTTER M12X1,25 D980 8 ZN	TUERCA M12X1,25 D980 8 ZN
7	M37400580	PERNO D.60 ANTERIORE	PIN D=60	GOIJON D=60	STIFT D=60	PERNO D=60
8	F01100048	ING.M 8X1,25 7663A 9SMNPB28 ZN	GREASE NIPPLE M8X1,25 U7663A	GRAISSEUR A BILLES M8X1,25	SCHMIERBUECHSE M8X1,25 7663A	ENGRAS. DE ESFERAS M8 X 1,25 A
9	F01480123	ROS.G 12,5X22,9X 4 FLZNNC-240H	WASHER M12 ZGP EXTRA P.	RONDELLE M12 ZGP EXTRA P.	UNTERLEGSSCHEIBE M12 ZGP EXTRA	ARANDELA M12 ZGP EXTRA P.
10	M37400582	PERNO D.50 CILINDRO	PIN D=50	GOIJON D=50	STIFT D=50	PERNO D=50
11	M16700522	PIEDINO L=680	LEG			
12	F20120349	PUNTALE Q.50 ALETT.POLIT.NERO	CAP	BOUCHON	DECKEL	CORCHO
13	F20100049	PERNO D22 L86 C43 ZN	BOLT D22 L86 C43 ZN	GOIJON D.22	BOLZEN D.22	PERNO D.22
14	F02200529	SPINA SCATTO D.11 H58 ZN	SNAP PIN D.11 H58 ZN	FICHE A DETENTE D.11 H58 ZN	EINRASTSTIFT D.11 H58 ZN	CLAVIJA DE MUELLE D.11 H58 ZN
15	M12400550	PATTINO	THRUST SHOE	PATIN	SPANNER	PATIN
16	F01010057	VITE M12X1,25X60 U5738 8.8ZN	SCR. M12X1,25X60 U5738 8.8ZN	VIS M12X1,25X60 U5738 8.8 ZN	SCHRA.M12X1,25X60 U5738 8.8 ZN	TORN. M12X1,25X60 U5738 8.8 ZN
17	F20120401	FASCETTA FERMA CARDANO ZN	SHAFT HOOK SUPPORT	SUPPORT CARDAN	GELENKWELLE HACKEN HALTER	SOPORTE CARDAN
18	F01410076	ROS.M12 13X 24X2,5 U6592 ZN	WASHER 12 13X 24X2,5 U6592 ZN	RONDEL. M12 13X24X2,5 U6592 ZN	SCHEIBE M12 13X24X2,5 U6592 ZN	ARANDELA M12 13 X24X2,5 ZN
19	F20120400	GANCIO SOSTEGNO CARDANO	SHAFT HOOK SUPPORT	SUPPORT CARDAN	GELENKWELLE - HACKEN	SOPORTE CARDAN
20	M12400717	AGGANCI DI SICUREZZA	HOOK	CROCHET	KOPPELUNG	GANCHO
21	F01010055	VITE M12X1,25X50 U5738 8.8ZN	SCR. M12X1,25X50 U5738 8.8ZN	VIS M12X1,25X50 U5738 8.8 ZN	SCHRA.M12X1,25X50 U5738 8.8 ZN	TORN. M12X1,25X50 U5738 8.8 ZN
22	F01470022	ROS.T 12,2X 28X1,50 ZN	WASHER 12	ROSETTE	SCHEIBE 12	ARANDELLA 12
23	M06400584	PERNO AGGANCI	PIN	AXE	BOLZEN	PERNO
24	F02010111	GHIERA AU.GUP M30X1,5 T.4H ZN	SELF LOCKING NUT M30X1,5	COLLIER AUTOBL. M30X1,5	SELBSTSP. NUTMUTTER M30X1,5	VIROLA AUTOBL. M30X1,5
25	M58100711	MARTINETTO AGGANCI COMPL.T.N.	CYLINDER D42 C60 L392	CILINDRE D42 C60 L392	ZYLINDER D42 C60 L392	CILINDRO D42 C60 L392
26	F01010053	VITE M12X1,25X45 U5738 8.8ZN	SCR. M12X1,25X45 U5738 8.8ZN	VIS M 12X1,25X45	SCHRAUBE M 12X1,25X45	TORNILLO M 12X1,25X45
27	F20100124	PERNO D32 L135 C40 ZN	BOLT D32 L135 C40 ZN	BOULON D32 L135 C40 ZN	BOLZEN D32 L135 C40 ZN	PERNO D32 L135 C40 ZN
28	M37400583	PERNO D.36	PIN D=36	GOIJON D=36	STIFT D=36	PERNO D=36
29	M37400520	ATTACCO BARRE 3° 4° CAT	STIRRUP	ATTELAGE BARRE	SCHUTZ HOLM VERBINDUNG	ATAQUE BARRA
30	F20100146	PERNO D36 L228 C43 ZN	PIN D36 L228 C43	BOULON D36 L228 C43	BOLTZEN D36 L228 C43	PERNO D36 L228 C43
31	M12400757	DISTANZ. D=50 D=36,5 L=76 ZN	SPACER 50X36,5X76	ENTRETOISE 50X36,5X76	DISTANZSTUECK 50X36,5X76	DISTANCIADOR 50X36,5X76
32	M27400812	PERNO D=50 L=125	PIN D=50 L=125	GOIJON D=50 L=125	STIFT D=50 L=125	PERNO D=50 L=125
33	F01010318	VITE M14X1,5X40 U5740 8.8ZN	SCR. M14X1,5X40 U5740 8.8ZN	VIS M 14X1,5X40	SCHRAUBE M 14X1,5X40	TORNILLO M 14X1,5X40
34	M27400811	PIASTRA FERMO PERNO	PIN LOCKING PLATE			
35	F01220059	DADO M14X1,5 D980 8ZN	NUT M14X1,5 D980 8ZN	ECROU M14X 1,5 D980 8 ZN	MUTTER M14X 1,5 D980 8 ZN	TUERCA M14X 1,5 D980 8 ZN
36	M72400908	ANCORA PER ROMPIRACCA	STILL ERADICATOR			
37	M12400613	VOMERINO REV.257 X 65 X 10	PLOUGH REV. 257X 65X 10			
38	F01030117	KIT V.M12X1,75X60 U6104 8.8ZN	KIT M12X1,75X60	VIS M12X1,75X60	SCHRAUBE M12X1,75X60	TORNILLO M12X1,75X60
39	F01220048	DADO M12X1,75 D980 8ZN	NUT M12X1,75 D980 8ZN	ECROU M12X1,75 D980 8 ZN	SCHEIBE M12X1,75 D980 8 ZN	TUERCA M12X1,75 D980 8 ZN
40	F01010341	VITE M16X1,5X45 U5740 8.8ZN	SCR. M16X1,5X45 U5740 8.8ZN	VIS M16X1,5 X45 U5740 8.8 ZN	SCHR.M16X1,5 X45 U5740 8.8 ZN	TORN.M16X1,5 X45 U5740 8.8 ZN
41	F01480145	ROS.G 17X29 X 5 FLZNNC-240H	GROWER WASHER 17X29	RONDELLE GROWER 17X29	SCHEIBE GROWER 17X29	ARANDELA GROWER 17X29
42	F03100151	SERIE GUARN.COMP.X58100854/711	GASKET SETS X 58100854/711	SERIE JOINTS X 58100854/711	DICHTUNGSSATZ X 58100854/711	SERIE JUNTAS X 58100854/711



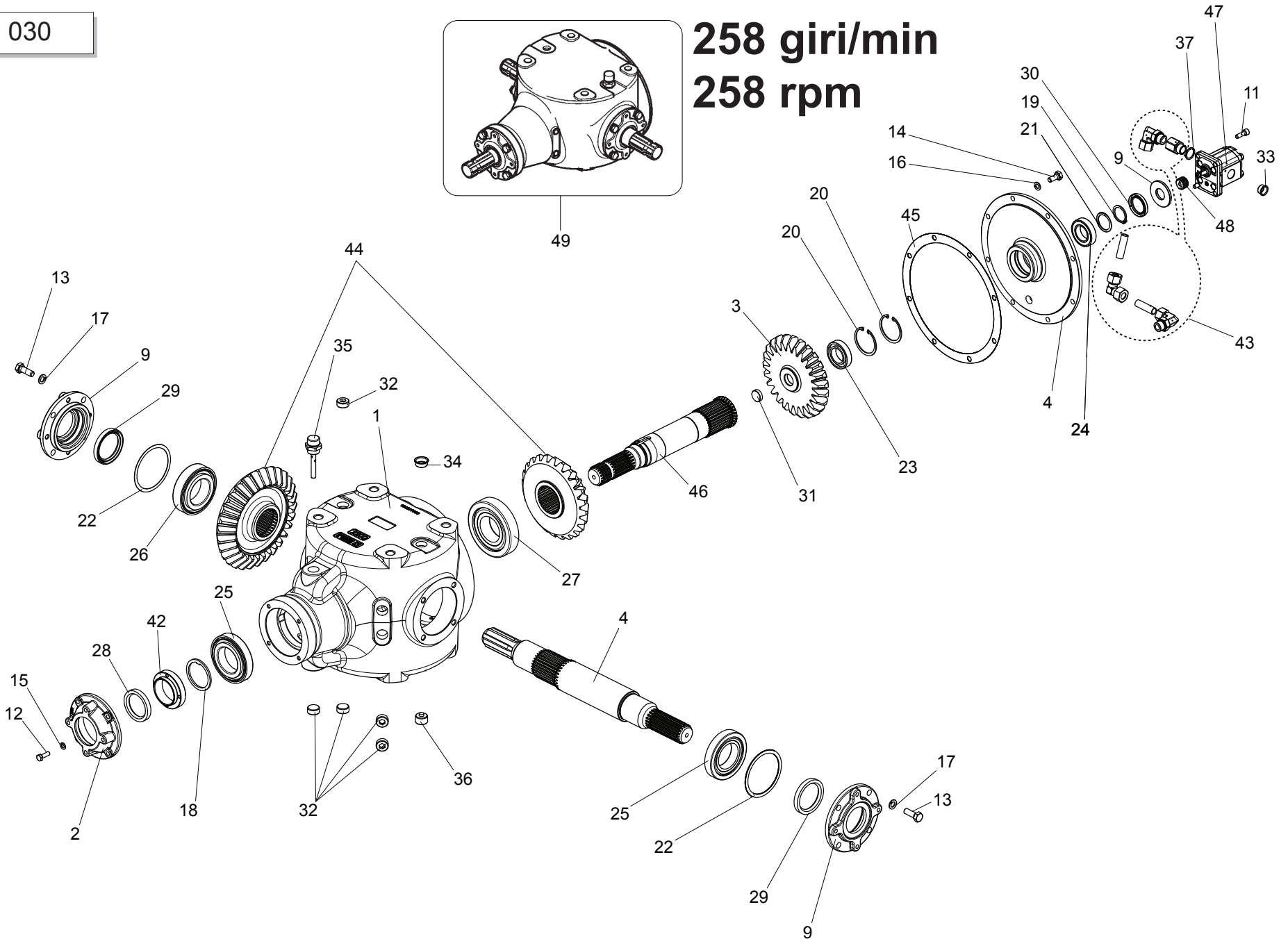
PROTEZIONI RINVIO / GEARBOX PROTECTIONS

TAV. 020

Pos.	Cod.	Descrizione	Description	Benennung	Description	Description
1	M38100147	MANICOTTO PROTEZIONE PDF 1"3/4	P.T.O. PROTECTION	MANCHON DE PROTECTION P.T.O.	ZAPFWELLENSCHUTZ P.T.O.	MANGUITO PROTECCION P.T.O.
2	M10100168	PROTEZIONE CARDANO	CARDAN PROTECTION	PROTECTION CARDAN	GELENKWELLENSCHUTZ	PROTECCION CARDANICO
3	F01020403	VITE M6X1X16 U5739 8.8ZN	SCR. M6X1X16 U5739 8.8ZN	VIS M6X1X16 U5739 8.8 ZN	SCHRAUBE M6X1X16 U5739 8.8 ZN	TORNILLO M6X1X16 U5739 8.8 ZN
4	F01410037	ROS.M6 6,4X12,5X1,6 U6592 ZN	WASHER M6 6,4X12,5X1,6 U6592ZN	RONDEL.M6 6,4X12,5X1,6 U6592ZN	SCHEIB.M6 6,4X12,5X1,6 U6592ZN	ARAND.M6 6,4X12,5X1,6 U6592 ZN
5	F01220011	DADO M6X1 D980 8ZN	NUT M6X1 D980 8ZN	ECROU M6X1 D980 8 ZN	MUTTER M6X1 D980 8 ZN	TUERCA M6X1 D980 8 ZN
6	M12400115	ATTACCO CUFFIA	PROTECTION SUPPORT	SUPPORT PROTECTION CARDAN	GELENKWELLENSCHUTZ HALTER	SOPORTE PROTECCION CARDANICO
7	F01010254	VITE M10X1,25X35 U5740 8.8ZN	SCR. M10X1,25X35 U5740 8.8ZN	VIS M 10X1,25X35	SCHRAUBE M 10X1,25X35	TORNILLO M 10X1,25X35
8	F01020470	VITE M10X1,5X20 U5739 8.8ZN	SCR. M10X1,5X20 U5739 8.8ZN	VIS M10X1,5X20 U5739 8.8 ZN	SCHRAUBE M10X1,5X20 U5739 ZN	TORNILLOM10X1,5X20 U5739 8.8ZN
9	F01410064	ROS.M10 10,5X 20X 2 U6592 ZN	WASHER M10 10,5X20X2 U6592 ZN	RONDEL. M10 10,5X20X2 U6592 ZN	SCHEIBE M10 10,5X20X2 U6592 ZN	ARANDEL.M10 10,5X20X2 U6592 ZN
10	M12400110	COMP.ATTACCO CUFFIA CENTRALE	PROTECTION SUPPORT	SUPPORT PROTECTION	SCHUTZHALTER	SOPORTE PROTECCION
11	M12400116	PROTEZIONE CARDANO	CARDAN PROTECTION	PROTECTION CARDAN	GELENKWELLENSCHUTZ	PROTECCION CARDANICO
12	F01480112	ROS.G 10,5X19X 3 FLZNNC - 240H	GROWER WASHER D.10	RONDELLE GROWER D.10	SCHEIBE GROWER D.10	ARANDELA GROWER D.10
13	M58100930	CATENELLA L=476	ASSEMBLY CHAIN DMP L=476	CHAINE L=476	KETTE L=476	CADENA L=476
14	M12400117	ATTACCO PROTEZ.CARDANO	PROTECTION SUPPORT	SUPPORT PROTECTION CARDAN	GELENKWELLENSCHUTZ HALTER	SOPORTE PROTECCION CARDANICO
15	F01220022	DADO M8X1,25 D980 8ZN	NUT M8X1,25 D980 8ZN	ECROU M8X 1,25 D980 8 ZN	MUTTER M8X 1,25 D980 8 ZN	TUERCA M8X 1,25 D980 8 ZN
16	F01020436	VITE M8X1,25X20 U5739 8.8ZN	SCR. M8X1,25X20 U5739 8.8ZN	VIS M8X1,25X 20 U5739 8.8 ZN	SCHRAUBE M8X1,25X20U5739 8.8ZN	TORN. M8X1,25X20 U5739 8.8 ZN
17	F01020605	VITE M20X2,5X50 U5739 8.8ZN	SCR. M20X2,5X50 U5739 8.8ZN	VIS M 20X2,5X50	SCHRAUBE M 20X2,5X50	TORNILLO M 20X2,5X50
18	F01480167	ROS.G 21X34 X 6 FLZNNC-240H	GROWER WASHER D.18	RONDELLE GROWER D.18	SCHEIBE GROWER D.18	ARANDELA GROWER D.18

TAV. 030

258 giri/min
258 rpm

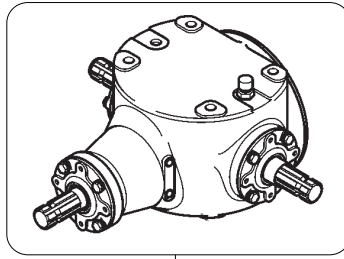


ESPLOSO RINVIO 258 giri/min / 258 rpm GEARBOX EXPLODED DRAWING

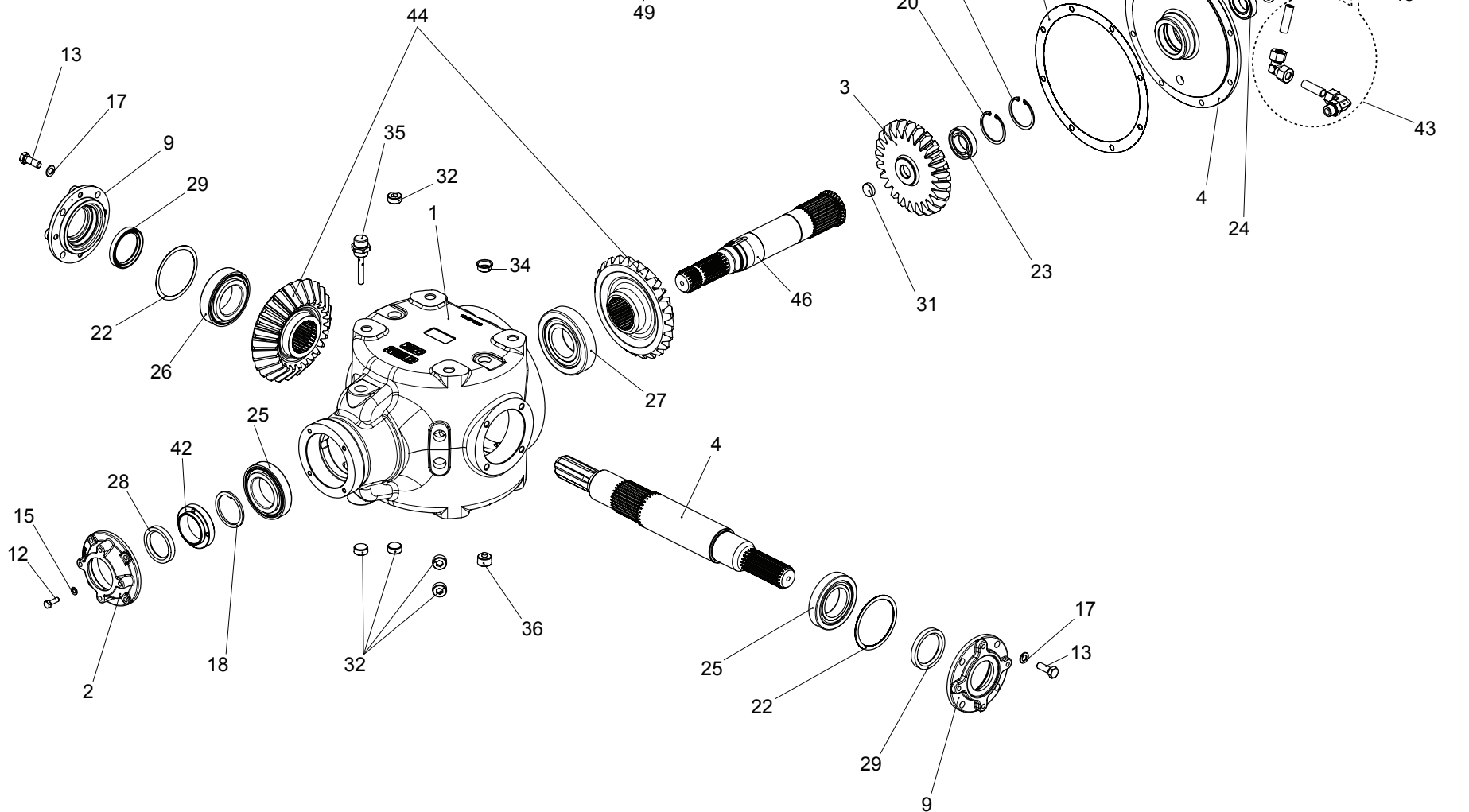
TAV. 030

Pos.	Cod.	Descrizione	Description	Benennung	Description	Descrpcion
1	M30500268	SCATOLA 2200G25XPOMP	SCATOLA 2200G25XPOMP			
2	M58100023	290290400 COP. D.150X150 2200	COVER	COUVERCLE	DECKEL	TAPA
3	M30500276	CORONA Z=24 M=7.8 AP	BEVEL GEAR Z=24 M=7.8 AP			
4	M30500270	ALBERO G-3/4Z6 Z20	ALBERO G-3/4Z6 Z20			
5	M30500277	COPERCHIO 2200 R1.25	COVER 2200 R1.25			
8	M30500273	ANELLO CENT.25,4X60X5,4	CENTERING RING 25,4X60X5,4			
9	M30500274	COPERCHIO D110X155	COVER D110X155			
11	F01040095	VITE M8X1,25X25 U5931 10.9ZD	SCR. M8X1,25X25 U5931 10.9ZD	VIS 8X25 5931 10.9	SCHRAUBE 8X25 5931 10.9	TORNILLO 8X25 5931 10.9
12	F01020440	VITE M8X1,25X25 U5739 8.8ZN	SCR. M8X1,25X25 U5739 8.8ZN	VIS M8X1,25X25 U5739 8.8 ZN	SCHRAUBE M8X1,25X25U5739 8.8ZN	TORNIL.M8X1,25X25 U5739 8.8 ZN
13	F01030109	VITE M12X1,75X35 U5933 10.9ZD	SCR. M12X1,75X35 U5933 10.9ZD	VIS M12X1,75X35 U5933 10.9 ZN	SCHRA.M12X1,75X35 U5933 10.9ZN	TORN.M12X1,75X35 U5933 10.9 ZN
14	F01020472	VITE M10X1,5X25 U5739 8.8ZN	SCR. M10X1,5X25 U5739 8.8ZN	VIS M10X1,5X25 U5739 8.8 ZN	SCHRAUBE M10X1,5X25 U5739 8.8	TORNILLO 10X25 U5739 8.8 ZN
15	F01480099	ROS.G 8,4X14,4X2,7 FLZNNC-240H	GROWER WASHER D.8	RONDELLE GROWER D.8	SCHEIBE GROWER D.8	ARANDELA GROWER D.8
16	F01480044	ROS.G 10,2X 16X2,5 D7980 ZN	SPRING CRINK.WASH10,2X16X2,5ZN	ROND.ELEST.10,2X16X2,5 D7980ZN	FEDERRINGE 10,2X16X2,5 D7980ZN	ARAN.ELICO.10,2X16X2,5 D7980ZN
17	F01480123	ROS.G 12,5X22,9X 4 FLZNNC-240H	WASHER M12 ZGP EXTRA P.	RONDELLE M12 ZGP EXTRA P.	UNTERLEGSSCHEIBE M12 ZGP EXTRA	ARANDELA M12 ZGP EXTRA P.
18	M58100017	ROS.A SPALL.60X72X4	WASHER 60X72X4	RONDELLE 60X72X4	SCHEIBE 60X72X4	ARANDELA 60X72X4
19	F02050147	ANELLO E. DE 35X 2,5 U7436 C70	ELASTIC RING 35X2,5 U7436 C70	BAGUE ELASTIQUE 35X 2,5 U7436	RING 35X 2,5 U7436 C70	ANILLO 35X 2,5 U7436 C70
20	F02050392	ANELLO E. DI 62X 2 U7437 C70	SEEGER RING E. 62X 2 U7437 C70	SEEGER E. 62X 2 U7437 C70	SEEGERING E. 62X 2 U7437 C70	ANILLO E. 62 X 2 U7437 C70
21	M30500105	ANELLI SP.35,2X 44,7	REINFORCEMENTS	RENFORTS	VERSTAERKERUNGEN	RENFUERZOS
22	M58100013	ANELLI SPESS.1.110	SPACER	ENTRETOISE	DISTANZSTUECK	DISTANCIADOR
23	F04010138	CUSC.D35 D62 B14 6007	BALL BEARING 6007	COURROIE 6007	LAGER 6007	COJINETE 6007
24	F04010140	CUSC.D35 D62 B14 6007 2RS	BEARING 6007 2RS	PALIER 6007 2RS	LAGER 6007 2RS	COJINETE 6007 2RS
25	F04050022	CUSC.D60 D110 T23,75 30212	BEARING D60 D110 T23,75 30212	ROULEMENT 30213	LAGER 30212	COJINETE 30212
26	F04050090	CUSC.D60 D110 T29,75 32212	BEARING D60 D110 T29,75 32212	ROULEMENT 32212	LAGER 32212	COJINETE 32212
27	F04050027	CUSC.D60 D130 T33,5 30312	BEARING D60 D130 T33,5 30312	ROULEMENT D60 D130 T33,5	LAGER D60 D130 T33,5 30312	COJINETE D60 D130 T33,5
28	F03012171	ANEL. TEN. 52X 72X10 VITON	SEAL TA 52X 72X10 V			
29	F03012199	ANEL. TEN. 60X 80X10 VITON	SEAL TA 60X 80X10 V			
30	F03012082	ANEL. TEN. 35X 52X 7 VITON	SEAL TA 35X 52X 7 V			
31	M30500275	CAPPELLOTTO DI CHIUSURA	LOCKING PLUG			
32	M72100117	TAPPO 3/4 GAS CON.	COVER 3/4"	COUVERCLE 3/4"	DECKEL 3/4"	TAPA 3/4"
33	F05100014	TAPPO CH. TUBO MM.20 1.02.105	PLUG	BOUCHON FERMETURE	VERSCHLUSSPFROPFEN	TAPON CLAUSURA
34	F05100016	TAPPO AD ALETTE D.25 PLT	RUBBER CAP	BOUCHON CAOUTCHOUE	GUMMIPROPFEN	TAPON GOMA
35	M58100016	TAPPO 3/4 SFIAT.L.75	GAS BREATHER PLUG 3/4"	BOUCHON D'HUILE SOUPIRAIL	OELENTLUEFTERSTOPFEN	TAPON ACEITE
36	F03080279	TAPPO M3/4" CON MAGNETE	CAP WITH MAGNET M3/4			
37	F03151237	ROS. 21 X27X1,5 RAME -1/2"	COPPER WASHER 21X27X1,5 1/2	RONDELLE CUIVRE 21X27X1,5 1/2	SCHEIBE KUPFER 21X27X1,5 1/2	ARANDELA COBRE 21X27X1,5 1/2
41	F03240018	LOCTITE*243 1X250 ML.	LOCTITE*243 1X250 ML.	LOCTITE*243 1X250 ML.	LOCTITE*243 1X250 ML.	LOCTITE*243 1X250 ML.
42	F03240031	PASTA NERA AREXONS 5552 RHODOR	BLACK PASTA AREXONS 5552	NOIR PATE AREXONS 5552	SCHWARZE PASTA AREXONS 5552	PASTAS NEGRO AREXONS 5552
43	F03151549	KIT RACC.POMPA F03151665R	KIT FITTING PUMP F03151665R			
44	M72100116	COPPIA CONICA + SPESSORE	BEVEL GEAR PAIR+SPACER	COUPLE CONIQUE+EPAISSEUR	KEGELRITZELSATZ	PAR CONICO+ESPESOR
45	M30500272	KIT GUARN.MYLAR 2450	KIT GUARN.MYLAR 2450			
46	M30500242	ALBERO Z 3/4 Z20	SHAFT Z 3/4 Z20			
47	F03151665	POMPA BO HPLPA170 CON RACC.DI	POMPA BO HPLPA170			
48	F03151666	SEMIGIUNTO	SEMIGIUNTO			
49	M16700102	RINVIO 2200 PANT.2 R.1,25:1	GEAR BOX PANT.2 R.1,25			

TAV. 040



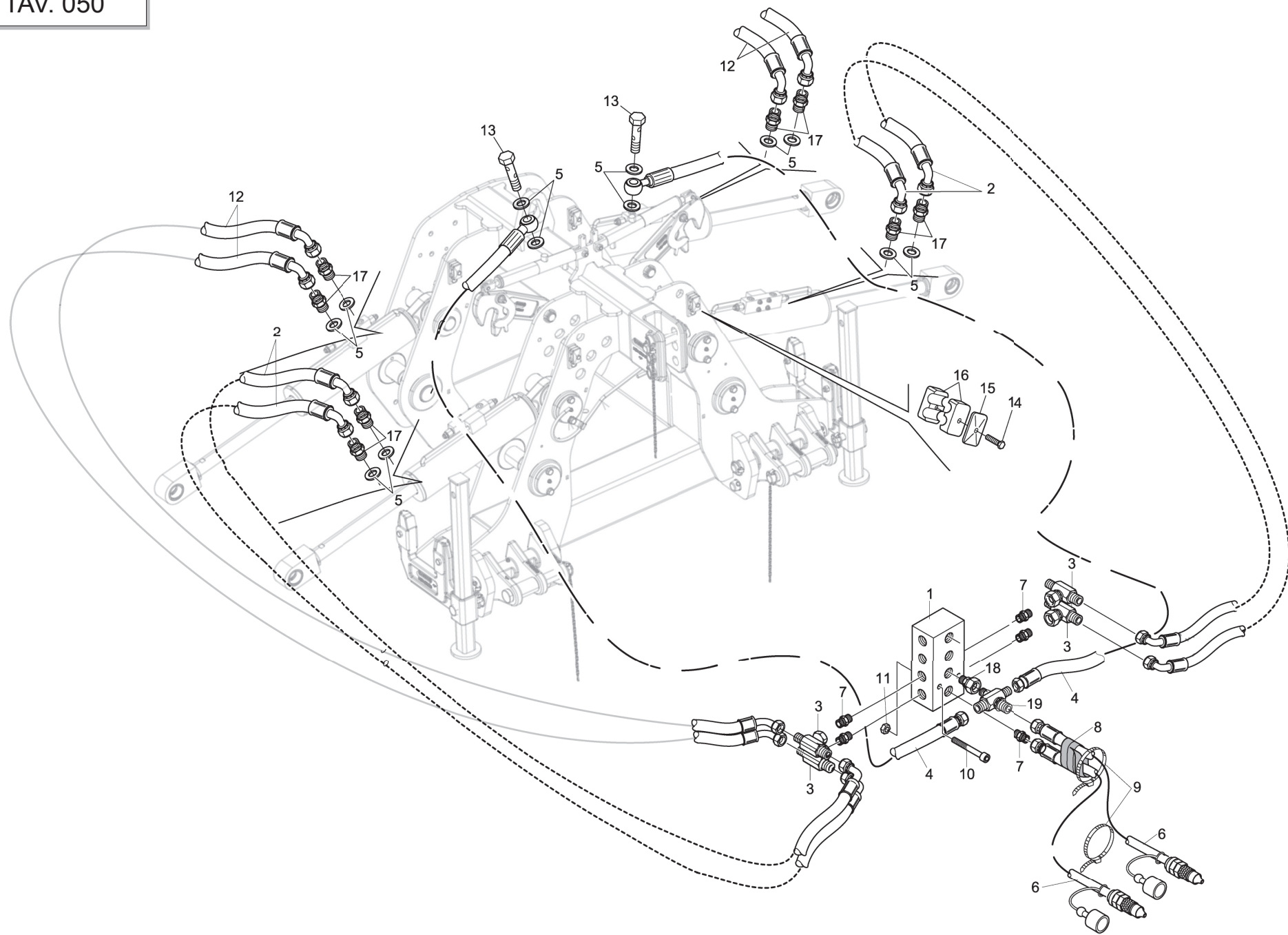
330 giri/min
330 rpm



ESPLOSO RINVIO 330 giri/min / 330 rpm GEARBOX EXPLODED DRAWING

TAV. 040

Pos.	Cod.	Descrizione	Description	Benennung	Description	Descrpcion
1	M30500268	SCATOLA 2200G25XPOMP	SCATOLA 2200G25XPOMP			
2	M58100023	COP. D.150X150 2200	COVER	COUVERCLE	DECKEL	TAPA
3	M30500276	CORONA Z=24 M=7.8 AP	BEVEL GEAR Z=24 M=7.8 AP			
4	M30500270	ALBERO G-3/4Z6 Z20	ALBERO G-3/4Z6 Z20			
5	M30500277	COPERCHIO 2200 R1.25	COVER 2200 R1.25			
8	M30500273	ANELLO CENT.25,4X60X5,4	CENTERING RING 25,4X60X5,4			
9	M30500274	COPERCHIO D110X155	COVER D110X155			
11	F01040095	VITE M8X1,25X25 U5931 10.9ZD	SCR. M8X1,25X25 U5931 10.9ZD	VIS 8X25 5931 10.9	SCHRAUBE 8X25 5931 10.9	TORNILLO 8X25 5931 10.9
12	F01020440	VITE M8X1,25X25 U5739 8.8ZN	SCR. M8X1,25X25 U5739 8.8ZN	VIS M8X1,25X25 U5739 8.8 ZN	SCHRAUBE M8X1,25X25U5739 8.8ZN	TORNIL.M8X1,25X25 U5739 8.8 ZN
13	F01030109	VITE M12X1,75X35 U5933 10.9ZD	SCR. M12X1,75X35 U5933 10.9ZD	VIS M12X1,75X35 U5933 10.9 ZN	SCHRA.M12X1,75X35 U5933 10.9ZN	TORN.M12X1,75X35 U5933 10.9 ZN
14	F01020472	VITE M10X1,5X25 U5739 8.8ZN	SCR. M10X1,5X25 U5739 8.8ZN	VIS M10X1,5X25 U5739 8.8 ZN	SCHRAUBE M10X1,5X25 U5739 8.8	TORNILLO 10X25 U5739 8.8 ZN
15	F01480099	ROS.G 8,4X14,4X2,7 FLZNNC-240H	GROWER WASHER D.8	RONDELLE GROWER D.8	SCHEIBE GROWER D.8	ARANDELA GROWER D.8
16	F01480044	ROS.G 10,2X 16X2,5 D7980 ZN	SPRING CRINK.WASH10,2X16X2,5ZN	ROND.ELEST.10,2X16X2,5 D7980ZN	FEDERRINGE 10,2X16X2,5 D7980ZN	ARAN.ELICO.10,2X16X2,5 D7980ZN
17	F01480123	ROS.G 12,5X22,9X 4 FLZNNC-240H	WASHER M12 ZGP EXTRA P.	RONDELLE M12 ZGP EXTRA P.	UNTERLEGSSCHEIBE M12 ZGP EXTRA	ARANDELA M12 ZGP EXTRA P.
18	M58100017	ROS.A SPALL.60X72X4	WASHER 60X72X4	RONDELLE 60X72X4	SCHEIBE 60X72X4	ARANDELA 60X72X4
19	F02050147	ANELLO E. DE 35X 2,5 U7436 C70	ELASTIC RING 35X2,5 U7436 C70	BAGUE ELASTIQUE 35X 2,5 U7436	RING 35X 2,5 U7436 C70	ANILLO 35X 2,5 U7436 C70
20	F02050392	ANELLO E. DI 62X 2 U7437 C70	SEEGER RING E. 62X 2 U7437 C70	SEEGER E. 62X 2 U7437 C70	SEEGERING E. 62X 2 U7437 C70	ANILLO E. 62 X 2 U7437 C70
21	M30500105	ANELLI SP.35,2X 44,7	REINFORCEMENTS	RENFORTS	VERSTAERKERUNGEN	RENFUERZOS
22	M58100013	ANELLI SPESS.1.110	SPACER	ENTRETOISE	DISTANZSTUECK	DISTANCIADOR
23	F04010138	CUSC.D35 D62 B14 6007	BALL BEARING 6007	COURROIE 6007	LAGER 6007	COJINETE 6007
24	F04010140	CUSC.D35 D62 B14 6007 2RS	BEARING 6007 2RS	PALIER 6007 2RS	LAGER 6007 2RS	COJINETE 6007 2RS
25	F04050022	CUSC.D60 D110 T23,75 30212	BEARING D60 D110 T23,75 30212	ROULEMENT 30213	LAGER 30212	COJINETE 30212
26	F04050090	CUSC.D60 D110 T29,75 32212	BEARING D60 D110 T29,75 32212	ROULEMENT 32212	LAGER 32212	COJINETE 32212
27	F04050027	CUSC.D60 D130 T33,5 30312	BEARING D60 D130 T33,5 30312	ROULEMENT D60 D130 T33,5	LAGER D60 D130 T33,5 30312	COJINETE D60 D130 T33,5
28	F03012171	ANEL. TEN. 52X 72X10 VITON	SEAL TA 52X 72X10 V			
29	F03012199	ANEL. TEN. 60X 80X10 VITON	SEAL TA 60X 80X10 V			
30	F03012082	ANEL. TEN. 35X 52X 7 VITON	SEAL TA 35X 52X 7 V			
31	M30500275	CAPPELLOTTO DI CHIUSURA	LOCKING PLUG			
32	M72100117	TAPPO 3/4 GAS CON.	COVER 3/4"	COUVERCLE 3/4"	DECKEL 3/4"	TAPA 3/4"
33	F05100014	TAPPO CH. TUBO MM.20 1.02.105	PLUG	BOUCHON FERMETURE	VERSCHLUSSPFROPFEN	TAPON CLAUSURA
34	F05100016	TAPPO AD ALETTE D.25 PLT	RUBBER CAP	BOUCHON CAOUTCHOUE	GUMMIPROPFEN	TAPON GOMA
35	M58100016	TAPPO 3/4 SFIAT.L.75	GAS BREATHER PLUG 3/4"	BOUCHON D'HUILE SOUPIRAIL	OELENTLUEFTERSTOPFEN	TAPON ACEITE
36	F03080279	TAPPO M3/4" CON MAGNETE	CAP WITH MAGNET M3/4			
37	F03151237	ROS. 21 X27X1,5 RAME -1/2"	COPPER WASHER 21X27X1,5 1/2	RONDELLE CUIVRE 21X27X1,5 1/2	SCHEIBE KUPFER 21X27X1,5 1/2	ARANDELA COBRE 21X27X1,5 1/2
41	F03240018	LOCTITE*243 1X250 ML.	LOCTITE*243 1X250 ML.	LOCTITE*243 1X250 ML.	LOCTITE*243 1X250 ML.	LOCTITE*243 1X250 ML.
42	F03240031	PASTA NERA AREXONS 5552 RHODOR	BLACK PASTA AREXONS 5552	NOIR PATE AREXONS 5552	SCHWARZE PASTA AREXONS 5552	PASTAS NEGRO AREXONS 5552
43	F03151549	KIT RACC.POMPA F03151665R	KIT FITTING PUMP F03151665R			
44	M72100116	COPPIA CONICA + SPESSORE	BEVEL GEAR PAIR+SPACER	COUPLE CONIQUE+EPAISSEUR	KEGELRITZELSATZ	PAR CONICO+ESPESOR
45	M30500272	KIT GUARN.MYLAR 2450	KIT GUARN.MYLAR 2450			
46	M30500242	ALBERO Z 3/4 Z20 *	SHAFT Z 3/4 Z20			
47	F03151665	POMPA BO HPLPA170 CON RACC.DI	POMPA BO HPLPA170			
48	F03151666	SEMIGIUNTO	SEMIGIUNTO			
49	M16700102	RINVIO 2200 PANT.2 R.1,25:1	GEAR BOX PANT.2 R.1,25			



IMPIANTO IDRAULICO / HYDRAULIC PLANT

TAV. 050

Pos.	Cod.	Descrizione	Description	Benennung	Description	Description
1	M12400718	BLOCCO RACCORDI	UNION	RACCORD	ANSCHLUSSTSCK	UNIN
2	F03070233	TG 1/4 R17 CFL10 F45L10 1100	HYDR. HOSE			
3	F03080080	RACC.T ML10 FL10 ML10 ZN	T-UNION ML10 FL10 ML10 ZN			
4	F03070257	TG 1/4 R17 FL10 OC1/4 290	HYDR. HOSE			
5	F03020069	RONDELLA BONDED AUTOCENT 1/4	BONDED WASHER 1/4"	RONDELLE BONDED 1/4"	BONDED SCHEIBE 1/4"	BONDED ARANDELA 1/4"
6	F03060171	PREM.*TUB.IDR.	HYDR. HOSE ASS.Y			
7	F03080082	NIPPLO M1/4 SEAL ML10 ZN	NIPPLE M1/4 SEAL ML10 ZN			
8	F03100363	GUAINA TELATA D=65 L=1300	SHEATH D=65 L=1300	GAINA D=65 L=1300	MANTEL D=65 L=1300	VAINA D=65 L=1300
9	F05150069	FASC.NERA 9X430 RTA ART.5329	BLACK BAND	BANDE NOIR 9X430	SCHWARZER BAND 9X430	CINTA NEGRO
10	F01020416	VITE M6X1X55 U5739 8.8ZN	SCR. M6X1X55 U5739 8.8ZN	VIS 6 X55 5739 8.G ZN	SCHRAUBE 6 X55 5739 8.G ZN	TORNILLO 6X55 5739 8.G ZN
11	F01220011	DADO M6X1 D980 8ZN	NUT M6X1 D980 8ZN	ECROU M6X1 D980 8 ZN	MUTTER M6X1 D980 8 ZN	TUERCA M6X1 D980 8 ZN
12	F03070256	TG 1/4 R17 CFL10 CFL10 1500	TG 1/4 R17 CFL10 CFL10 1500			
13	F03151051	VITE FORATA 1/4" L=24/32	PIERCED SCREW 1/4" GAS	BOULON PERCE 1/4" GAS	GEBORTE MUTTERSCHRAUBE 1/4"GAS	PERNO HORADO 1/4" GAS
14	F01020411	VITE M6X1X35 U5739 8.8ZN	SCR. M6X1X35 U5739 8.8ZN	VIS M6X1X35 U5739 8.8ZN	SCHRAUBE M6X1X35 U5739 8.8ZN	TORNILLO M6X1X35 U5739 8.8ZN
15	F03150986	PIATTO SUPERIORE *	COPPER WASHER 3/4" GAS	RONDELLE CUIVRE 3/4" GAS	KUPFERSCHEIBE 3/4" GAS	ARANDELA 3/4" GAS
16	F03150991	COPPIA COLL.2T D12 1V I=00 M6	PAIR OF COLLARS 2T			
17	F03080082	NIPPLO M1/4 SEAL ML10 ZN	NIPPLE M1/4 SEAL ML10 ZN			
18	F03080097	NIPPLO M1/4 SEAL FL10 ZN	NIPPLE M1/4 SEAL FL10			
19	F03080191	RACC. CROCE ML10 ZN	CROSS FITTING			

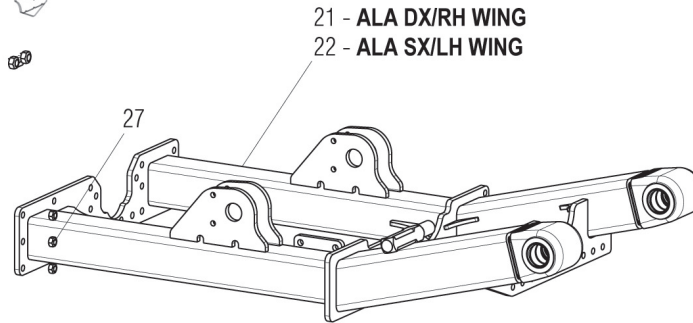
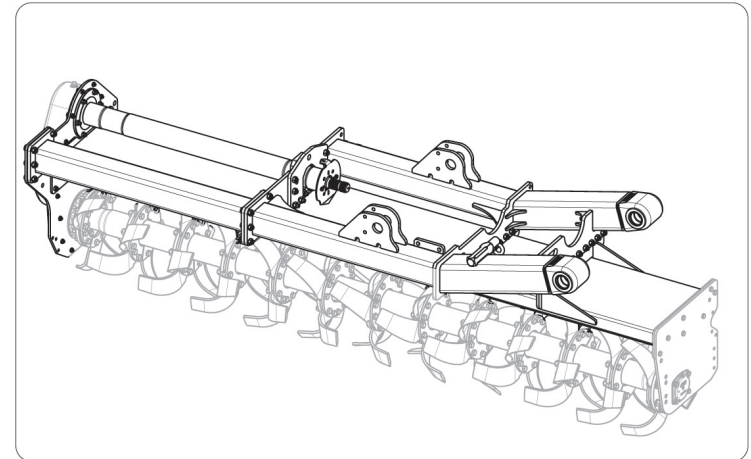
TAV. 060

- 11 - PANTERA 420
- 12 - PANTERA 470
- 13 - PANTERA 520
- 14 - PANTERA 570
- 15 - PANTERA 620

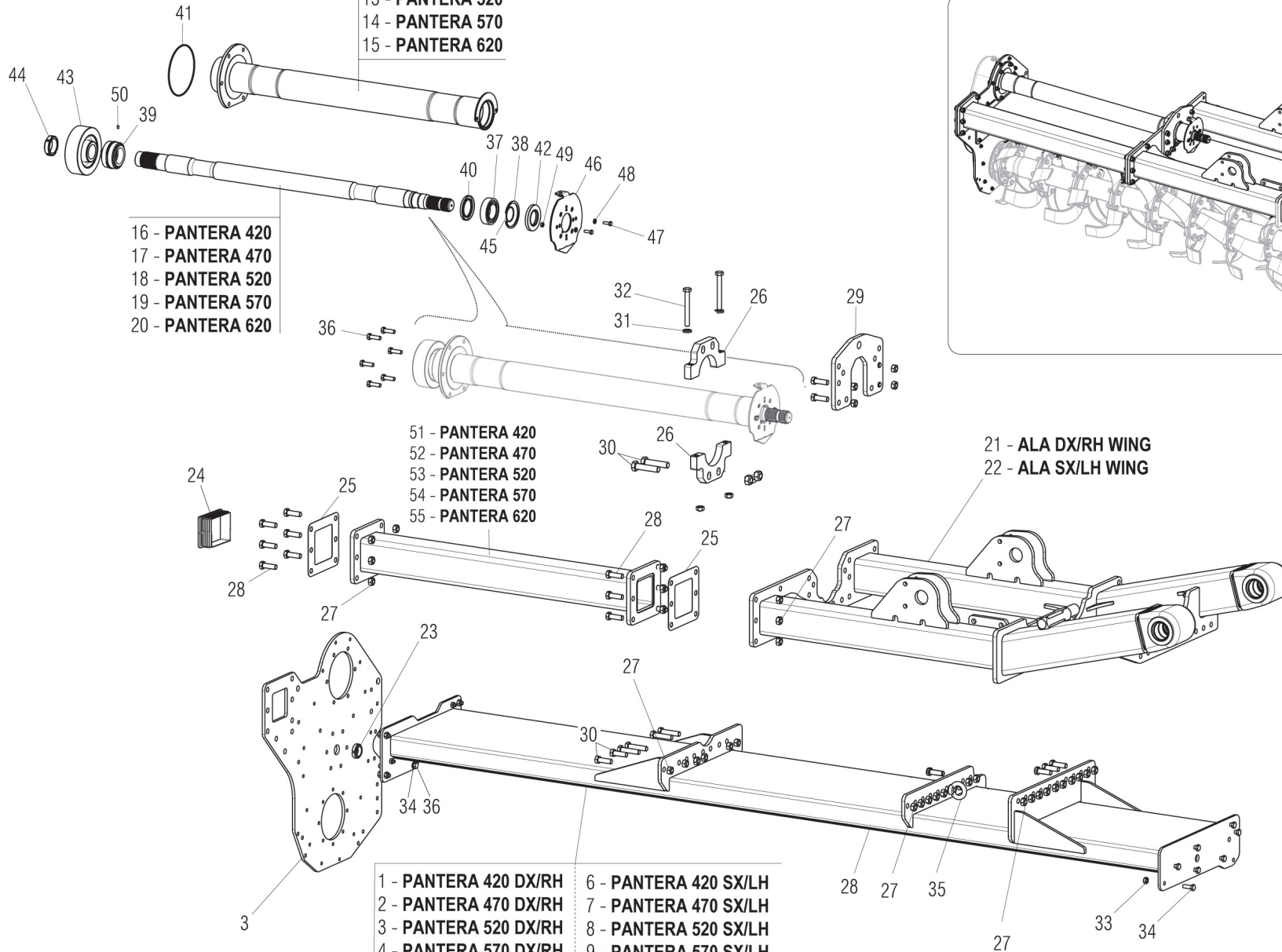
- 16 - PANTERA 420
- 17 - PANTERA 470
- 18 - PANTERA 520
- 19 - PANTERA 570
- 20 - PANTERA 620

- 51 - PANTERA 420
- 52 - PANTERA 470
- 53 - PANTERA 520
- 54 - PANTERA 570
- 55 - PANTERA 620

- | | |
|-----------------------|------------------------|
| 1 - PANTERA 420 DX/RH | 6 - PANTERA 420 SX/LH |
| 2 - PANTERA 470 DX/RH | 7 - PANTERA 470 SX/LH |
| 3 - PANTERA 520 DX/RH | 8 - PANTERA 520 SX/LH |
| 4 - PANTERA 570 DX/RH | 9 - PANTERA 570 SX/LH |
| 5 - PANTERA 620 DX/RH | 10 - PANTERA 620 SX/LH |



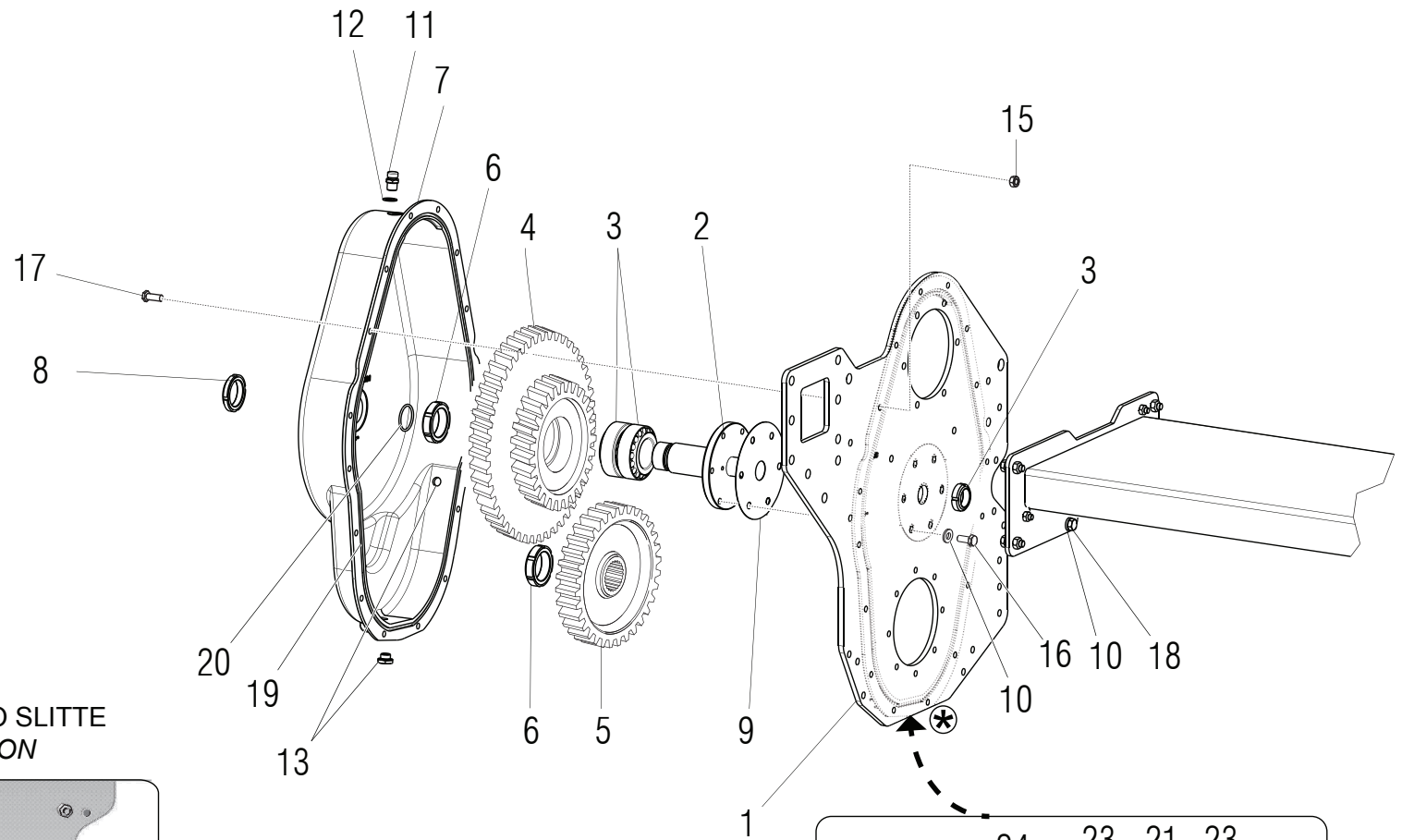
- 21 - ALA DX/RH WING
- 22 - ALA SX/LH WING



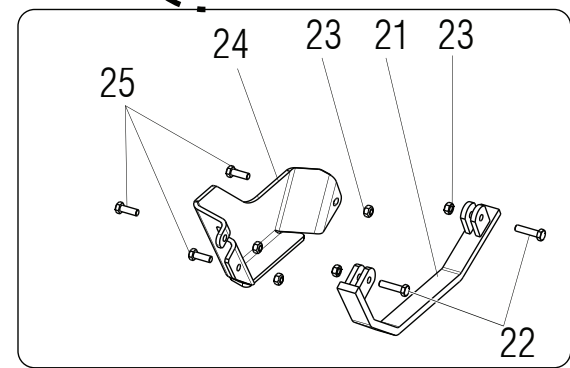
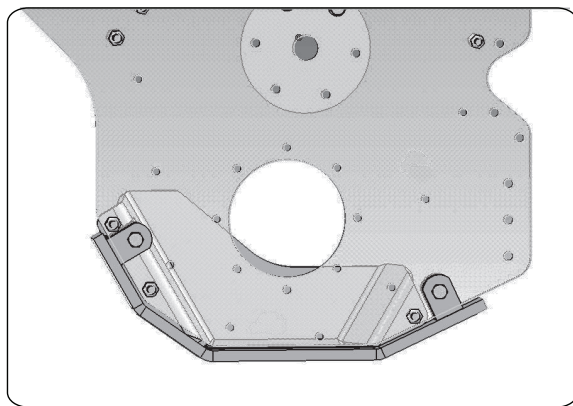
TRASMISSIONE SUPERIORE/ UPPER TRANSMISSION

TAV. 060

Pos.	Cod.	Descrizione	Description	Benennung	Description	Description
1	M16720530	TELAIO PANTERA LATO DX	FRAME RIGHT			
2	M16723530	TELAIO PANTERA LATO DX	FRAME RIGHT			
3	M16725530	TELAIO PANTERA LATO DX	FRAME RIGHT			
4	M16728530	TELAIO PANTERA LATO DX	FRAME RIGHT			
5	M16730530	TELAIO PANTERA LATO DX	FRAME RIGHT			
6	M16720531	TELAIO PANTERA LATO SX	FRAME LEFT			
7	M16723531	TELAIO PANTERA LATO SX	FRAME LEFT			
8	M16725531	TELAIO PANTERA LATO SX	FRAME LEFT			
9	M16728531	TELAIO PANTERA LATO SX	FRAME LEFT			
10	M16730531	TELAIO PANTERA LATO SX	FRAME LEFT			
11	M16720204	DISTANZIALE LATO TRASMISSIONE	SPACER TRASM			
12	M16723204	DISTANZIALE LATO TRASMISSIONE	SPACER TRASM			
13	M16725204	DISTANZIALE LATO TRASMISSIONE	SPACER TRASM.			
14	M16728204	DISTANZIALE LATO TRASMISSIONE	SPACER TRASM.			
15	M16730204	DISTANZIALE LATO TRASMISSIONE	SPACER TRASM.			
16	M16720210	ALBERO DI TRASM. D=60 L=490,5	TRANSMISSION SHAFT			
17	M16723210	ALBERO DI TRASM. D=60 L=740,5	TRANSMISSION SHAFT			
18	M16725210	ALBERO DI TRASM. D=60 L=990,5	TRANSMISSION SHAFT			
19	M16728210	ALBERO DI TRASM. D=60 L=1240,5	TRANSMISSION SHAFT			
20	M16730210	ALBERO DI TRASM. D=60 L=1490,5	TRANSMISSION SHAFT			
21	M16700550	ALA DX	RIGH WING			
22	M16700551	ALA SX	LEFT WING			
23	F02010122	GHIERA AU.GUP M35X1,5 T.4H ZN	SELF LOCKING NUT M35X1,5	COLLIER AUTOBL. M35X1,5	SELBSTSP. NUTMUTTER M35X1,5	VIROLA AUTOBL. M35X1,5
25	M16700559	PIASTRA SPESSORAMENTO 10/10	SHIMMING PLATE			
26	M16700226	SUPPORTO	SUPPORT			
27	F01220070	DADO M16X1,5 D980 8ZN	NUT M16X1,5 D980 8ZN	ECRO.M16X1,5 D980 8ZN	MUTTER M16X1,5 D980 8ZN	TUER.M16X1,5 D980 8ZN
28	F01010343	VITE M16X1,5X50 U5740 8.8ZN	SCR. M16X1,5X50 U5740 8.8ZN	VIS M16X1.5X50	SCHRAUBE M16X1,5X50	TORNILLO M16X1,5X50
29	M16700565	PIASTRA COLLEGAMENTO	CONNECTING PLATE			
30	F01010348	VITE M16X1,5X70 U5740 8.8ZN	SCR. M16X1,5X70 U5740 8.8ZN			
31	F01480123	ROS.G 12,5X22,9X 4 FLZNNC-240H	WASHER M12 ZGP EXTRA P.	RONDELLE M12 ZGP EXTRA P.	UNTERLEGSSCHEIBE M12 ZGP EXTRA	ARANDELA M12 ZGP EXTRA P.
32	F01010064	VITE M12X1,25X100 U5738 8.8ZN	SCR. M12X1,25X100 U5738 8.8ZN	VIS M 12X1,25X100	SCHRAUBE M 12X1,25X100	TORNILLO M 12X1,25X100
33	F01220047	DADO M12X1,25 D980 8ZN	NUT M12X1,25 D980 8ZN	ECROU M12X1,25 D980 8 ZN	MUTTER M12X1,25 D980 8 ZN	TUERCA M12X1,25 D980 8 ZN
34	F01010288	VITE M12X1,25X35 U5740 8.8ZN	SCR. M12X1,25X35 U5740 8.8ZN	VIS M12X1,25X35 U5740 8.8 ZN	SCHR.M12X1,25X35 U5740 8.8 ZN	TORN.M12X1,25X35 U5740 8.8 ZN
35	F02250564	GOLFARE M16 FEM. DIN 582 ZB	EYEBOLT M16 DIN 582 ZB	OEILLET M16 DIN 582 ZB	RINGSCHRAUBE M16 DIN 582 ZB	CÁNCAMO M16 DIN 582 ZB
36	F01010052	VITE M12X1,25X40 U5738 8.8 DL	SCR. M12X1,25X40 U5738 8.8DL	VIS M 12X1,25X40	SCHRAUBE M 12X1,25X40	TORNILLO M 12X1,25X40
37	F04010050	CUSC.D50 D90 B23 2210	BEARING 2210	ROULEMENT 2210	LAGER 2210	COJINETE 2210
38	F02050447	ANELLO E. DI 90X 3 U7437 C70	SEEGER RING DI 90X3 U7437 C70	BAGUE SEEGER DI 90X3 U7437 C70	SEEGERRING DI 90X 3 U7437 C70	ANILLO SEEGER DI 90X3 U7437
39	M28100306	KIT CUSCINETTI C SUPER	BEARING SET	KIT ROULEMENT	LAGERSATZ	KIT COJINETE
40	F03010185	ANELLO T.A. 56X 85X 8 D3760NBR	OIL SEAL 56X85X8	PARE-HUILE 56X85X8	OELABDICHTUNG 56X85X8	PARA-ACEITE 56X85X8
41	F03010761	ANEL. OR 171,04X3,53 NBR	RING OR 171,04X3,53 NBR			
42	F03010164	ANELLO T.A. 50X 90X10 D3760VIT	OIL SEAL 50X90X10 D3760VIT	PARE-HUILE 50X90X10	OELABDICHTUNG 50X90X10	PARA-ACEITE 50X90X10
43	M28100205	RUOTA DENTATA SUPERIORE Z 18	UPPER GEAR Z=18	ENGRENAGE SUPERIEUR Z=18	OBERES ZAHNRAD Z=18	ENGRANAJE SUPERIOR Z=18
44	M24100130	GHIERA AUT.LATO E.ALB.TR.	SELF LOCKING NUT M50X1,5	COLLIER AUTOBL. M50X1,5	SELBSTSP. NUTMUTTER M50X1,5	VIROLA AUTOBL. M50X1,5
45	F02060200	ANELLO A 50 UNI 7433	RING 50			
46	M12400110	COMP.ATTACCO CUFFIA CENTRALE	PROTECTION SUPPORT	SUPPORT PROTECTION	SCHUTZHALTER	SOPORTE PROTECCION
47	F01020440	VITE M8X1,25X25 U5739 8.8ZN	SCR. M8X1,25X25 U5739 8.8ZN	VIS M8X1,25X25 U5739 8.8 ZN	SCHRAUBE M8X1,25X25U5739 8.8ZN	TORNIL.M8X1,25X25 U5739 8.8 ZN
48	F01480099	ROS.G 8,4X14,4X2,7 FLZNNC-240H	GROWER WASHER D.8	RONDELLE GROWER D.8	SCHEIBE GROWER D.8	ARANDELA GROWER D.8
49	F01220022	DADO M8X1,25 D980 8ZN	NUT M8X1,25 D980 8ZN	ECROU M8X 1,25 D980 8 ZN	MUTTER M8X 1,25 D980 8 ZN	TUERCA M8X 1,25 D980 8 ZN
50	F01050086	VITE M6X1X10 U5927 12.9BR	SCR. M6X1X10 U5927 12.9BR	VIS M 6X10	SCHRAUBE M 6X10	TORNILLO M 6X10
51	M16720561	PROLUNGA X ALI	EXTENSION WINGS			
52	M16723561	PROLUNGA X ALI	EXTENSION WINGS			
53	M16725561	PROLUNGA X ALI	EXTENSION WINGS			
54	M16728561	PROLUNGA X ALI	EXTENSION WINGS			
55	M16730561	PROLUNGA X ALI	EXTENSION WINGS			



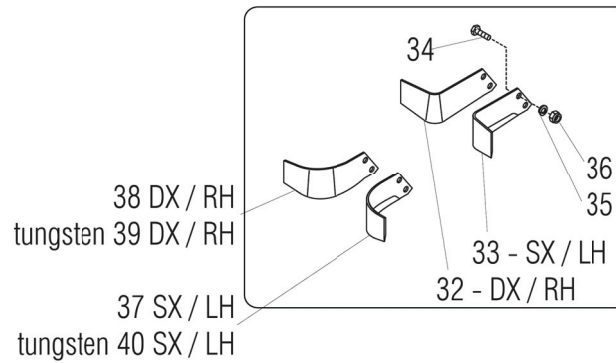
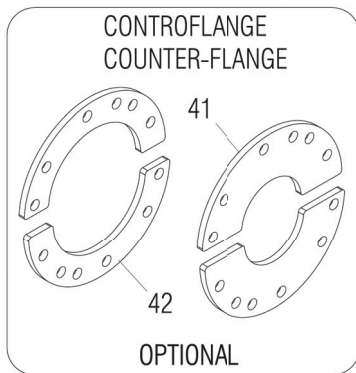
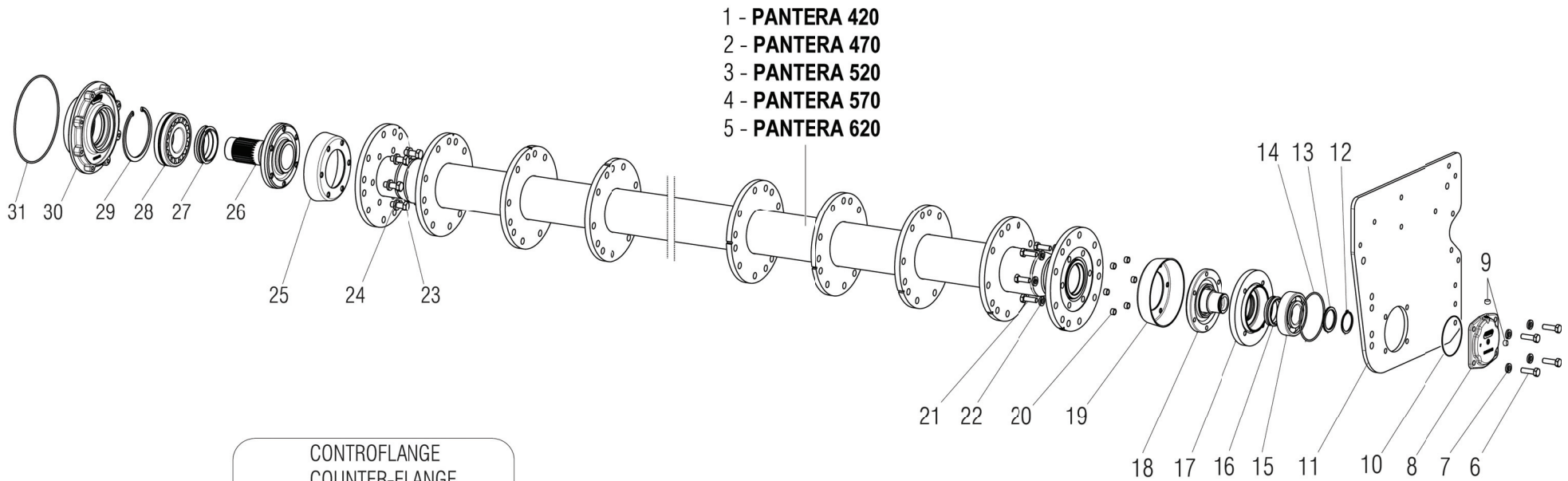
✱ POSIZIONE MONTAGGIO SLITTE
SKID ASSEMBLY POSITION



TRASMISSIONE LATERALE / SIDE TRANSMISSION

TAV. 070

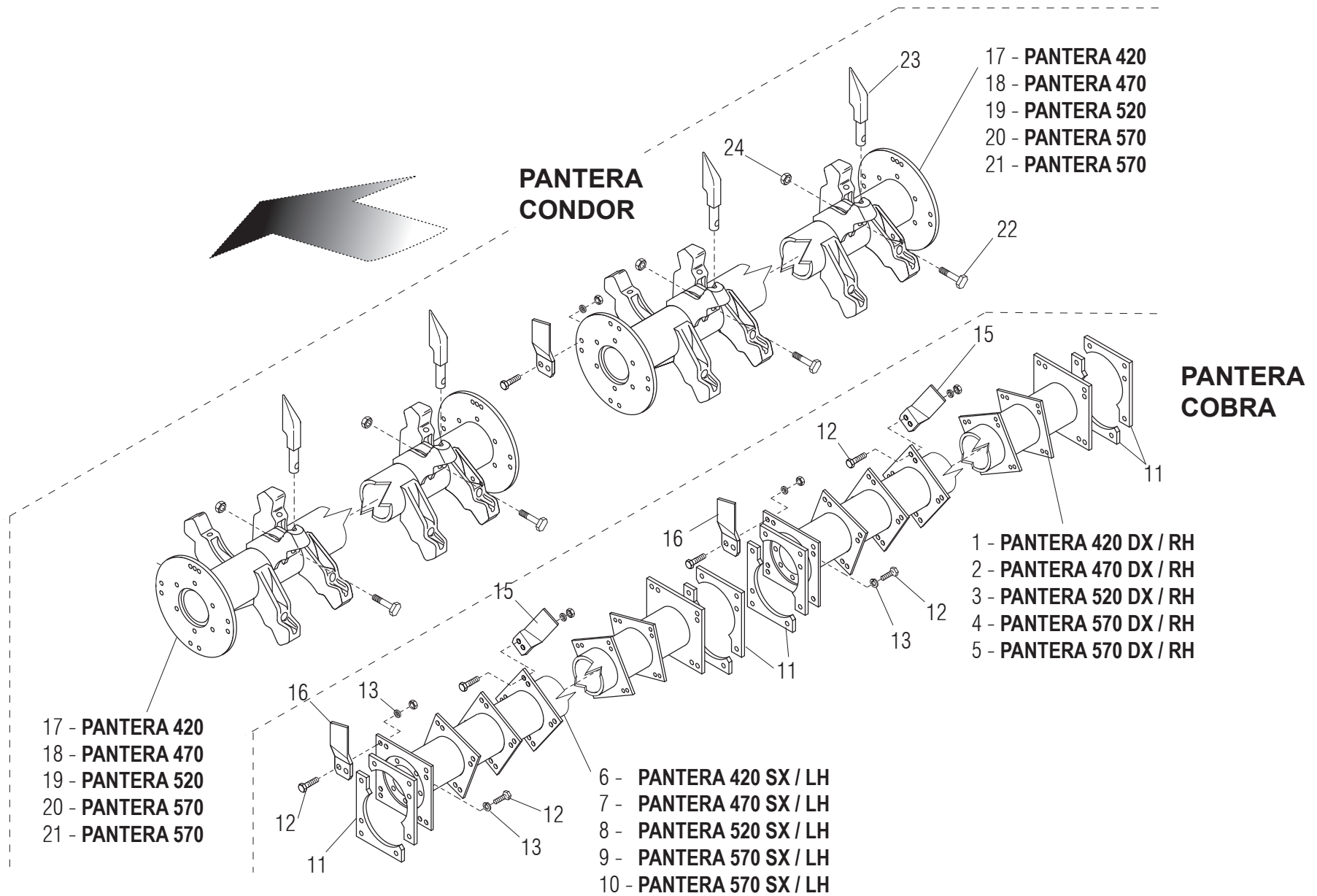
Pos.	Cod.	Descrizione	Description	Benennung	Description	Description
1	M16700509	FIANCATA LATO TRASM PANT	TRANSM.SIDE PLATE			
2	M09400303	MOZZO RUOTA OZIOSA	PIN ROTOR ROLLER	GOUJON ROTOR ROULEAU	ROTORBOLZEN WALZE	PERNO ROTOR RODILLO
3	F04050086	CUSC.D55 D100 T35 33211	BEARING D55 D100 T35 33211	ROULEMENT D55 D100 T35 33211	LAGER D55 D100 T35 33211	COJINETE D55 D100 T35 33211
4	M09400306	RUOTA DENTATA M=8 Z=27-47	GEAR M=8 Z=27	ENGRENAGE M=8 Z=27	ZAHNRAD M=8 Z=27	ENGRANAJE M=8 Z=27
5	M28100304	RUOTA DENTATA INFERIORE Z 32	LOWER GEAR Z=32	ENGRENAGE INFERIEUR Z=32	ZAHNRAD Z=32	ENGRANAJE INFERIOR Z=32
6	F02010166	GHIERA AU.GUP M55X 2 T.4H ZN	SELF LOCKING NUT M55X2 T.4H ZB	COLLIER AUTOB. M55X2 T.4H ZB	SELBSTSP. NUTMUTTER M55X2 T.4H	VIROLA AUTOBLOC M55X2 T.4H ZB
7	M16700301	CARTER TRASMISSIONE LATERALE	LATERAL TRANSM. CARTER			
8	F02010056	GHIERA AU.GUK M50X1,5 T.4H ZN	SELF LOCKING NUT M50X1,5	COLLIER AUTOBL. M50X1,5	SELBSTSP. NUTMUTTER M50X1,5	VIROLA AUTOBL. M50X1,5
9	M13100301	GUARN.MOZZO INGRAN.RINV.	GASKET	JOINT	DICHTUNG	JUNTA
10	F01480123	ROS.G 12,5X22,9X 4 FLZNNC-240H	WASHER M12 ZGP EXTRA P.	RONDELLE M12 ZGP EXTRA P.	UNTERLEGSCHEIBE M12 ZGP EXTRA	ARANDELA M12 ZGP EXTRA P.
11	M29100717	TAPPO SFIATO	OIL BREATHER PLUG	BOUCHON DE SOUPIRAIL	ENTLUEFTERPFROPFEN	TAPON RESPIRADERO
12	M26100321	GUARNIZ.D=26 D=18 S=1,5 ALLUM.	GASKET	JOINT	DICHTUNG	JUNTA
13	F03150631	TAPPO CON MAGNETE M18X1,5	COVER	COUVERCLE	DECKEL	TAPA
15	F01220034	DADO M10X1,25 D980 8ZN	NUT M10X1,25 D980 8ZN	ECRO.M10X1,25 D980 8 ZB	MUTT.M10X1,25 D980 8 ZB	TUER.M10X1,25 D980 8 ZB
16	F01010285	VITE M12X1,25X30 U5740 8.8DL	SCR. M12X1,25X30 U5740 8.8DL	VIS M 12X1,25X30	SCHRAUBE M 12X1,25X30	TORNILLO M 12X1,25X30
17	F01010250	VITE M10X1,25X30 U5740 8.8ZN	SCR. M10X1,25X30 U5740 8.8ZN	VIS M10X1,25X30 U5740 8.8 ZB	SCHR.M10X1,25X30 U5740 8.8 ZB	TORN.M10X1,25X30 U5740 8.8 ZB
18	F01010052	VITE M12X1,25X40 U5738 8.8 DL	SCR. M12X1,25X40 U5738 8.8DL	VIS M 12X1,25X40	SCHRAUBE M 12X1,25X40	TORNILLO M 12X1,25X40
19	F03011158	GUARNIZIONE IN SILICONE D=6	GASKET D=6	JOINT D=6	DICHTUNG D=6	JUNTA D=6
20	F03010533	ANELLO OR 42,86X3,53 NBR	GASKET OR 42,86X3,53 NBR	BAGUE OR	RING OR	ANILLO OR
21	M72400601	COMPOSTO SLITTINO ANTIUSURA	WEARPROOF SKID	GLISSIERE ANTI-USURE	VERSCHLEISSFESTE GLEITKUFE	TRINEO ANTIDESGASTE
22	F01010055	VITE M12X1,25X50 U5738 8.8ZN	SCR. M12X1,25X50 U5738 8.8ZN	VIS M12X1,25X50 U5738 8.8 ZN	SCHRA.M12X1,25X50 U5738 8.8 ZN	TORN. M12X1,25X50 U5738 8.8 ZN
23	F01220047	DADO M12X1,25 D980 8ZN	NUT M12X1,25 D980 8ZN	ECROU M12X1,25 D980 8 ZN	MUTTER M12X1,25 D980 8 ZN	TUERCA M12X1,25 D980 8 ZN
24	M16700526	PROTEZIONE CARTER DX	CARTER PROTECT. RH.			
25	F01010288	VITE M12X1,25X35 U5740 8.8ZN	SCR. M12X1,25X35 U5740 8.8ZN	VIS M12X1,25X35 U5740 8.8 ZN	SCHR.M12X1,25X35 U5740 8.8 ZN	TORN.M12X1,25X35 U5740 8.8 ZN



ROTORE ED UTENSILI / ROTOR AND BLADES

TAV. 080

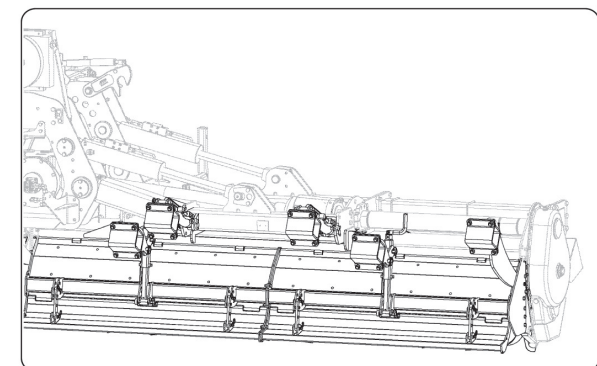
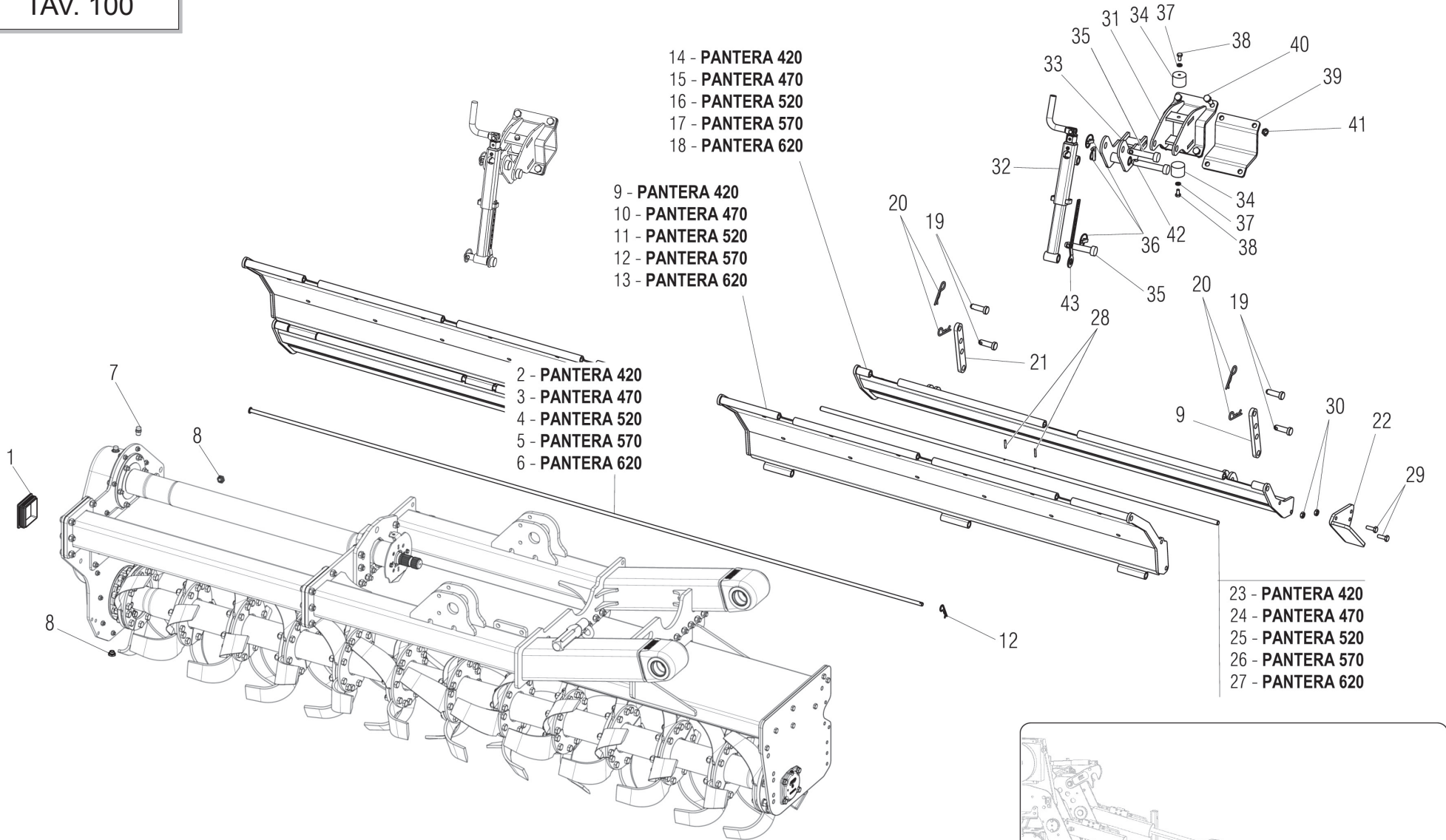
Pos.	Cod.	Descrizione	Description	Benennung	Description	Description
1	M16720423	ROTORE PORTAZZAPPE INT. MOD420	BLADES INT. ROTOR 420			
2	M16723423	ROTORE PORTAZZAPPE INT. MOD470	BLADES INT. ROTOR 470			
3	M16725423	ROTORE PORTAZAPPE INT. MOD520	BLADES INT. ROTOR			
4	M16728423	ROTORE PORTAZZAPPE INT. MOD570	BLADES INT. ROTOR 570			
5	M16730423	ROTORE PORTAZZAPPE INT. MOD620	BLADES INT. ROTOR 620			
6	F01010291	VITE M12X1,25X40 U5740 8.8ZN	SCR. M12X1,25X40 U5740 8.8ZN	VIS M12X1,25X40 U5740 8.8 ZN	SCHR.M12X1,25X40 U5740 8.8 ZN	TORN. M12X1,25X40 U5740 8.8 ZN
7	F01480123	ROS.G 12,5X22,9X 4 FLZNNC-240H	WASHER M12 ZGP EXTRA P.	RONDELLE M12 ZGP EXTRA P.	UNTERLEGSSCHEIBE M12 ZGP EXTRA	ARANDELA M12 ZGP EXTRA P.
8	M16700416	COPERCHIO SUPPORTO L.E.GNL	SUPPORT COVER			
9	F03150652	TAPPO CONICO CON ES.INC. 1/4"	HEXAGONAL PLUG 1/4"	BOUCHON CONIQUE 1/4"	KONISCHER VERSCHLUSS 1/4"	CIERRE CONICO 1/4"
10	F03010720	ANELLO OR 117,07X3,53 NBR	GASKET OR 4462	JOINT 4462	DICHTUNG DOWTY 4462	ANILLO OR 117,07X3,53 NBR
11	M16700537	FIANCATA LATO ESTERNO	TRANSMISSION SIDE PANEL			
12	F02050203	ANELLO E. DE 50X 2 U7435 C70	SEEGER RING D50X2 U7435 C70	ANEL SEEGER D50X2 U7435 C70	SEEGER RING D50X2 U7435 C70	ANILLO SEEGER D50X2 U7435 C70
13	M01110416	ANELLO RINF.MOZ.R.50X63,5X3,8	SEEGER STIFFENER RING	ANNEAU DE RENFORCEMENT SEEGER	SEEGERRING	ANILLO REFUERZO SEEGER
14	F03010720	ANELLO OR 117,07X3,53 NBR	GASKET OR 4462	JOINT 4462	DICHTUNG DOWTY 4462	ANILLO OR 117,07X3,53 NBR
15	F04010226	CUSC.D50 D110 B27 6310	BEARING D50 D110 B27 6310	ROULEMENT 6310	LAGER 6310	COJINETE 6310
16	F03010861	ANELLO ANFIBIO 0440 GNL	WATER-PROOF OIL SEAL 0440	WATER-PROOF PARE-HUILE 0440	WATER-PROOF OELABDICHTUNG 0440	WATER-PROOF PARA-ACEITE 0440
17	M53400403	SUPP. CUSC L.E. GNL	ROTOR SUPPORT SIDE PANEL	SUPPORT ROTOR PARTIE LATERALE	ROTORHALTER SEITENWAND	SOPORTE ROTOR FLANCO
18	M56400405	MOZZO ROT.L.ESTERNO	OUTER SIDE ROTOR HUB			
19	M01110411	COPRIPOLVERE GRANDE	EXTERIOR DUST COVER	PARA-POUSSIERE	STAUBDECKEL	PARAPOLVO
20	M37100403	BOCCOLA PER VITE	BOLT BUSHING	BOUCLE	BUECHSE	ARANDELA
21	F20110021	VITE M12X1,25X35F.18 ZP SPEC.	BOLT M12X1,25X35F.18 ZP SPEC	VIS M12X1,25X35F.18 ZP SPEC	SCHRAUBE M12X1,25X35F.18 ZP SP	TORNILLO M12X1,25X35F.18 ZP SP
22	F01480123	ROS.G 12,5X22,9X 4 FLZNNC-240H	WASHER M12 ZGP EXTRA P.	RONDELLE M12 ZGP EXTRA P.	UNTERLEGSSCHEIBE M12 ZGP EXTRA	ARANDELA M12 ZGP EXTRA P.
23	F20110032	VITE M14X1,5 X 40 SPEC 10.9 ZD	BOLT M14X1,5X40 10.9	VIS M 14X1,5X40	SCHRAUBE M 14X1,5X40	TORNILLO M 14X1,5X40
24	F01480134	ROS.G 15X26,5X4,5 FLZNNC-240H	GROWER 15X26,5X4,5 EX.C70 ZN	RONDELLE GROWER 15X26,5X4,5	SCHEIBE GROWER 15X26,5X4,5	ARANDELA GROWER 15X26,5X4,5
25	M13100414	COPRIPOLVERE GRANDE	DUST COVER	PARA-POUSSIERE	STAUBDECKEL	PARAPOLVO
26	M74100419	MOZZO LATO TRASMISSIONE	DRIVE SIDE HUB	MOYEU ROTOR COTE EXTERIEUR	TRANSMISSIONSEITE ROTORNABE	CUBO ROTOR LADO TRASMISION
27	F03010879	ANELLO ANFIBIO 5850 GNL	WATER-PROOF OIL SEAL 5850	WATER-PROOF PARE-HUILE 5850	WATER-PROOF OELABDICHTUNG 5850	WATER-PROOF PARA-ACEITE 5850
28	F04010264	CUSC.D60 D130 B31 21312	BEARING D60 D130 B31 21312	ROULEMENT 21312	LAGER 21312	COJINETE 21312
29	F02050515	ANELLO E. DI130X 4 U7437 C70	SEEGER RING D.130	BAGUE SEEGER D.130	SEEGERRING D.130	ANILLO SEEGER D.130
30	M56400404	SUPPORTO CUSC. ROTORE L.T. GNL	BEARING SUPP.TRASM.SIDE ROTOR			
31	F03010900	ANELLO OR 209.14X3.53 DI. NBR	GASKET OR 209.14X3.53 DI. NBR	BAGUE OR 209.14X3.53 DI. NBR	RING OR 209.14X3.53 DI.	ANILLO OR 209.14X3.53 DI. NBR
32	M09400418	ZAPPA SQ DX "PANTERA"	R. BLADE SQUARE 90X10 PANTERA	LAME EQUERRE DRT 90X10 PANTERA	WINKELMESSER R 90X10 PANTERA	AZADA ESCUADRA D 90X10 PANTERA
33	M09400419	ZAPPA SQ SX "PANTERA"	L. BLADE SQUARE 90X10 PANTERA	LAME EQUERRE GCH 90X10 PANTERA	WINKELMESSER L 90X10 PANTERA	AZADA ESCUADRA I 90X10 PANTERA
34	F20110044	VITE M16X1,5 X 50 SPEC 12.9 ZD	BOLT M 16X1,5X50	VIS M16X1,5X50 SPEC 12.9 ZD	SCHRAUBE M 16X1,5X50	TORNILLO M 16X1,5X50
35	F01480145	ROS.G 17X29 X 5 FLZNNC-240H	GROWER WASHER 17X29	RONDELLE GROWER 17X29	SCHEIBE GROWER 17X29	ARANDELA GROWER 17X29
36	F01200104	DADO M16X1,5 U5587 6SZN	NUT M16X1,5 U5587 6SZN	ECRO.M16X 1,5	MUTT.M16X 1,5	TUER.M16X 1,5
37	M09400415	ZAPPA EL SX "PANTERA"	L. HEL. BLADE 90X10 PANTERA	LAME HELICE GCH 90X10 PANTERA	BOGENMESSER L 90X10 PANTERA	AZADA HELICE I 90X10 PANTERA
38	M09400414	ZAPPA EL DX "PANTERA"	R. HEL. BLADE 90X10 PANTERA	LAME HELICE DRT 90X10 PANTERA	BOGENMESSER R 90X10 PANTERA	AZADA HELICE D 90X10 PANTERA
39	M09400423	ZAPPA EL DX "PANTERA" TUNG	RIGHT HEL. BLADE TUNGSTEN	LAME HELICE DROIT TUNG.	RECHT BOGENMESS. TUNG.	AZADA HEL.DERECHA TUNG.
40	M09400424	ZAPPA EL SX "PANTERA" TUNG	LEFT HEL. BLADE TUNGSTEN	LAME HELICE GAUCHE TUNG.	LINK BOGENMESS. TUNG.	AZADA HEL.IZQUIER. TUNG.
41	M09400434	CONTROFLANGIA X PANTERA	COUNTER-FLANGE	CONTRE-FLASQUE	GEGENDFLANSCH	BRIDA
42	M09400435	CONTROFLANGIA X PANTERA	COUNTER-FLANGE	CONTRE-FLASQUE	GEGENDFLANSCH	BRIDA



ROTORI COBRA E CONDOR / COBRA AND CONDOR ROTORS

TAV. 090

Pos.	Cod.	Descrizione	Description	Benennung	Description	Description
1	M16720435	COMP.ROTORE COBRA 205	BLADES HOLDER ROTOR			
2	M16723435	COMP.ROTORE COBRA 230	BLADES HOLDER ROTOR			
3	M16725435	COMP.ROTORE COBRA 250	BLADES HOLDER ROTOR			
4	M16728435	COMP.ROTORE COBRA 280	COBRA 280 ROTOR			
5	M16730435	COMP.ROTORE COBRA 300	BLADES HOLDER ROTOR 300			
6	M16720423	ROTORE PORTAZZAPPE INT. MOD420	BLADES INT. ROTOR 420			
7	M16723423	ROTORE PORTAZZAPPE INT. MOD470	BLADES INT. ROTOR 470			
8	M16725423	ROTORE PORTAZZAPPE INT. MOD520	BLADES INT. ROTOR			
9	M16728423	ROTORE PORTAZZAPPE INT. MOD570	BLADES INT. ROTOR 570			
10	M16730423	ROTORE PORTAZZAPPE INT. MOD620	BLADES INT. ROTOR 620			
11	M09400439	CONTROFLANGIA ESTERNA GBR	COUNTER-FLANGE	CONTRE-FLASQUE	GEGENDFLANSCH	BRIDA
12	F20110033	VITE M14X1,5X40 SPEC 12.9 ZD	BOLT M 14X1,5X40	VIS M 14X1,5X40	SCHRAUBE M 14X1,5X40	TORNILLO M 14X1,5X40
13	F01480134	ROS.G 15X26,5X4,5 FLZNNC-240H	GROWER 15X26,5X4,5 EX.C70 ZN	RONDELLE GROWER 15X26,5X4,5	SCHEIBE GROWER 15X26,5X4,5	ARANDELA GROWER 15X26,5X4,5
14	F01200090	DADO M14X1,5 U5587 8GZN	NUT M14X1,5 U5587 8GZN	ECROU M14X1,5	MUTTER M14X1,5	DADO M14X1,5
15	M26100417	DENTE FLANGIA QUADRA DX	R TINE 80X8 COBRA/SUPERCOBRA	LAME DRT 80X8 COBRA/SUPERCOBRA	ZINKENMESSER R80X8 COB/SUP.COB	CUCHILLA D80X8COBRA/SUPERCOBRA
16	M26100418	DENTE FLANGIA QUADRA SX	L TINE 80X8 COBRA/SUPERCOBRA	LAME GCH 80X8 COBRA/SUPERCOBRA	ZINKENMESSER L80X8 COB/SUP.COB	CUCHILLA I80X8COBRA/SUPERCOBRA
17	M74120461	COMP. ROTORE CONDOR 205	ROTOR CONDOR 205	ROTOR CONDOR 205	ROTOR CONDOR 205	ROTOR CONDOR 205
18	M74123461	COMP. ROTORE CONDOR 230	ROTOR CONDOR 230	ROTOR CONDOR 230	ROTOR CONDOR 230	ROTOR CONDOR 230
19	M74125461	COMP. ROTORE CONDOR 250	ROTOR CONDOR 250	ROTOR CONDOR 250	ROTOR CONDOR 250	ROTOR CONDOR 250
20	M74128461	COMP. ROTORE CONDOR 280	ROTOR CONDOR 280	ROTOR CONDOR 280	ROTOR CONDOR 280	ROTOR CONDOR 280
21	M74130461	COMP. ROTORE CONDOR 300	ROTOR CONDOR 300	ROTOR CONDOR 300	ROTOR CONDOR 300	ROTOR CONDOR 300
22	M28100476	VITE M10X1,25X55 SPEC 8.8 ZN	BOLT	VIS M10X1,25X55 TETE APLATIE	SCHRAUBE	TORNILLO
23	M28100474	DENTE	TOOTH			
24	F01220034	DADO M10X1,25 D980 8ZN	NUT M10X1,25 D980 8ZN	ECRO.M10X1,25 D980 8 ZB	MUTT.M10X1,25 D980 8 ZB	TUER.M10X1,25 D980 8 ZB

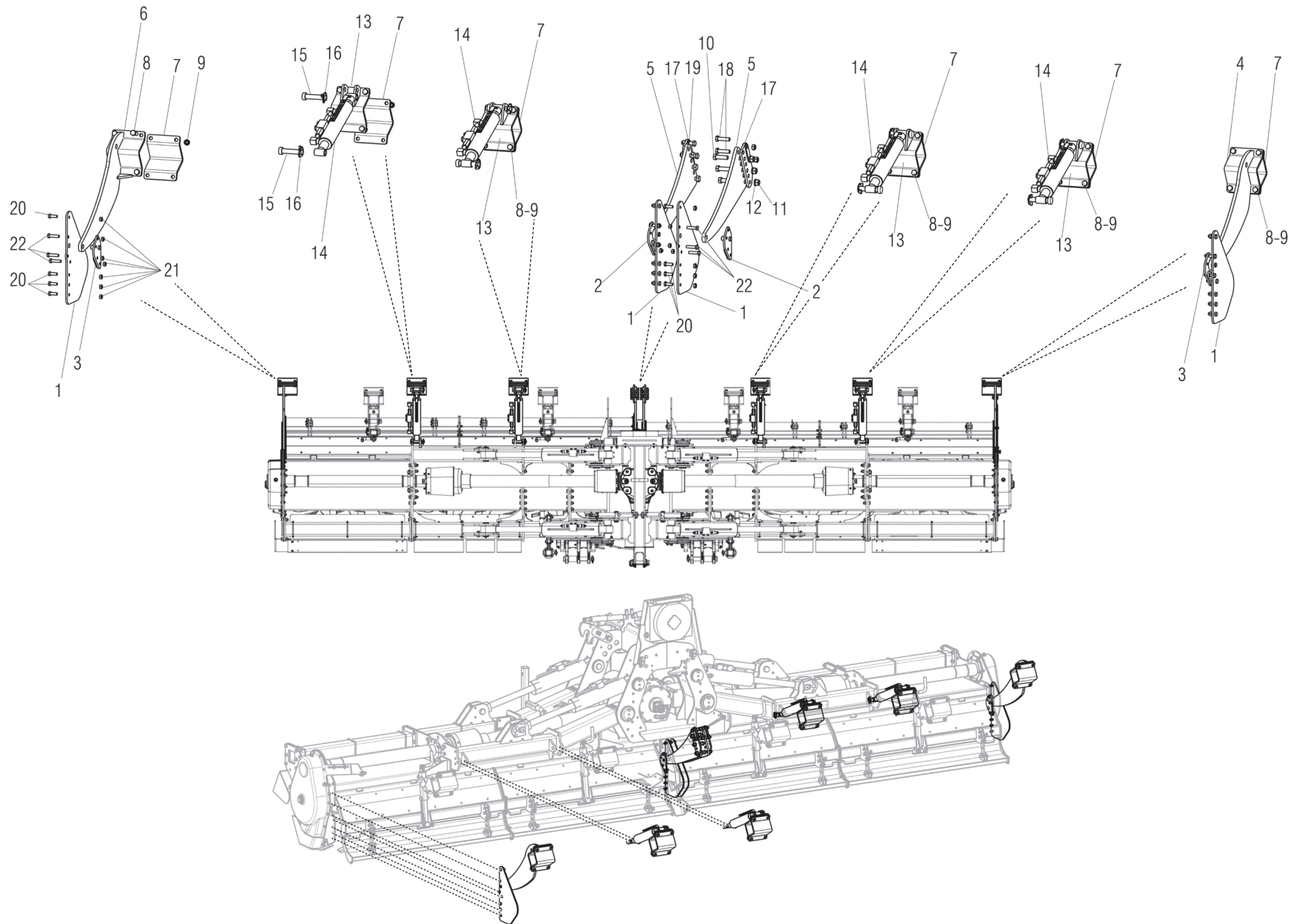


LAMIERE LIVELLATRICI / LEVELING PLATES

TAV. 100

Pos.	Cod.	Descrizione	Description	Benennung	Description	Description
1	F05100163	TAPPO*PLT X TUBO 110X110 S.3-5	PLASTIC CAP PIPE 110X110 S.3-5	BOUCHON X TUBE 110X110 S.3-5	PFROPFEN X ROHR 110X110 S.3-5	TAPN X TUBO 110X110 S.3-5
2	M09420687	COMPOSTO PERNO D=14 L=2134	PIN D=14 L=2134	AXE D=14 L=2134	BOLZEN D=14 L=2134	PERNO D=14 L=2134
3	M09423687	COMPOSTO PERNO D=14 L=2384	PIN D=14 L=2384	AXE D=14 L=2384	BOLZEN D=14 L=2384	PERNO D=14 L=2384
4	M09425687	COMPOSTO PERNO D=14 L=2634	PIN D=14 L=2634	AXE D=14 L=2634	BOLZEN D=14 L=2634	PERNO D=14 L=2634
5	M09428687	COMPOSTO PERNO D=14 L=2884	PIN D=14 L=2884	AXE D=14 L=2884	BOLZEN D=14 L=2884	PERNO D=14 L=2884
6	M09430687	COMPOSTO PERNO D=14 L=3134	PIN D=14 L=3134			
7	M29100717	TAPPO SFIATO	OIL BREATHER PLUG	BOUCHON DE SOUPIRAL	ENTLUEFTERPFROPFEN	TAPON RESPIRADERO
8	F03150631	TAPPO CON MAGNETE M18X1,5	COVER	COUVERCLE	DECKEL	TAPA
9	M16720611	LAMIERA LIVELLATRICE SUP.	TOP LOCKING PLATE			
10	M16723611	LAMIERA LIVELLATRICE SUP.	TOP LOCKING PLATE			
11	M16725611	LAMIERA LIVELLATRICE SUP.	TOP LOCKING PLATE			
12	M16728611	LAMIERA LIVELLATRICE SUP.	TOP LOCKING PLATE			
13	M16730611	LAMIERA LIVELLATRICE SUP.	TOP LOCKING PLATE			
14	M16720612	LAMIERA LIVELLATRICE INF.	LEVELLING BONNET			
15	M16723612	LAMIERA LIVELLATRICE INF.	LEVELLING BONNET			
16	M16725612	LAMIERA LIVELLATRICE INF.	LEVELLING BONNET			
17	M16728612	LAMIERA LIVELLATRICE INF.	LEVELLING BONNET			
18	M16730612	LAMIERA LIVELLATRICE INF.	LEVELLING BONNET			
19	M38100573	PERNO DI REGOLAZIONE ZND	PIN	GOUJON	BOLZEN	PERNO
20	F02200374	COPIGLIA R 4X 82 ZN	SPRING SPLIT PIN 4X82	GOUPILLE 4X82	SPLINT 4X82	PASADOR 4X82
21	M09400945	PIATTO REGOLAZ.X LAM.SDOPPIATE	ADJUSTMENT PLATE	PLATEAU REGLAGE	EINSTELL.TELLER	PLATO REGULACIÓN
22	M16700631	ESTENSORE LAMIERA LIVELLATRICE	EXTENDER BONNET LEV.			
23	M09440682	PERNO D=14 L=1036	PIN D=14 L=1037	GOUJON D=14 L=1036	BOLZEN D=14 L=1036	PERNO D=14 L=1036
24	M09446682	PERNO D=14 L= 1153	PIN D=14 L= 1153	GOUJON D=14 L= 1153	STIFT D=14 L= 1153	PERNO D=14 L= 1153
25	M09450682	PERNO D=14 L= 1278	PIN D=14 L= 1278	GOUJON D=14 L= 1278	BOLZEN D=14 L= 1278	PERNO D=14 L= 1278
26	M09456682	PERNO D=14 L= 1403	PIN D=14 L= 1403	GOUJON D=14 L= 1403	BOLZEN D=14 L= 1403	PERNO D=14 L= 1403
27	M09460682	PERNO D=14 L= 1528	PIN D.14			
28	F02100087	SPINA E.P. 5X 30 U6873 C70 BR	PIN EL. 5 X30 DIN 1481	FICHE EL. 5 X30 DIN 1481	SPANNSTIFT 5 X30 DIN 1481	CLAVIJA EL.5 X30 DIN 1481
29	F01010250	VITE M10X1,25X30 U5740 8.8ZN	SCR. M10X1,25X30 U5740 8.8ZN	VIS M10X1,25X30 U5740 8.8 ZB	SCHR.M10X1,25X30 U5740 8.8 ZB	TORN.M10X1,25X30 U5740 8.8 ZB
30	F01220034	DADO M10X1,25 D980 8ZN	NUT M10X1,25 D980 8ZN	ECRO.M10X1,25 D980 8 ZB	MUTT.M10X1,25 D980 8 ZB	TUER.M10X1,25 D980 8 ZB
31	M16700615	ATTACCO MARTINETTO REG. LAM.	LEV.BAR ADJUSTER LINK			
32	M36200887	MART.MECCANICO REG.BARRA DM R.	MECHANICAL ADJUSTER BAR DM R.	MANIVELLE MECHANIQUE	SPINDELVERSTELLUNG	GATO MECANICO
33	M16700617	STAFFA OSCILLANTE	BRACKET SWIGING			
34	F05150033	ANTIV. APF D50X40 M10 45 SHORE	RUBBER BUFFER	BUFFER CAOUTCHOUC	PUFFER	PUFFER
35	F20100049	PERNO D22 L86 C43 ZN	BOLT D22 L86 C43 ZN	GOUJON D.22	BOLZEN D.22	PERNO D.22
36	F02200529	SPINA SCATTO D.11 H58 ZN	SNAP PIN D.11 H58 ZN	FICHE A DETENTE D.11 H58 ZN	EINRASTSTIFT D.11 H58 ZN	CLAVIJA DE MUELLE D.11 H58 ZN
37	F01480112	ROS.G 10,5X19X 3 FLZNNC - 240H	GROWER WASHER D.10	RONDELLE GROWER D.10	SCHEIBE GROWER D.10	ARANDELA GROWER D.10
38	F01020470	VITE M10X1,5X20 U5739 8.8ZN	SCR. M10X1,5X20 U5739 8.8ZN	VIS M10X1,5X20 U5739 8.8 ZN	SCHRAUBE M10X1,5X20 U5739 ZN	TORNILLOM10X1,5X20 U5739 8.8ZN
39	M36200554	STAFFA ATTACCO	STIRRUP LINKAGE	ATTELAGE ETRIER	BUEGELLINK	ESTRIBO ATAQUE
40	F01010341	VITE M16X1,5X45 U5740 8.8ZN	SCR. M16X1,5X45 U5740 8.8ZN	VIS M16X1,5 X45 U5740 8.8 ZN	SCHR.M16X1,5 X45 U5740 8.8 ZN	TORN.M16X1,5 X45 U5740 8.8 ZN
41	F01220070	DADO M16X1,5 D980 8ZN	NUT M16X1,5 D980 8ZN	ECRO.M16X1,5 D980 8ZN	MUTTER M16X1,5 D980 8ZN	TUER.M16X1,5 D980 8ZN
42	F20100047	PERNO D22 L108 C43 ZN	BOLT D22 L108 C43 ZN	GOUJON SUPPORT	BOLZEN	PERNO SOPORTE
43	M23400945	COMP.ASTA REGOLAZ. MARTINETTI	RULER ASSEMBLY			

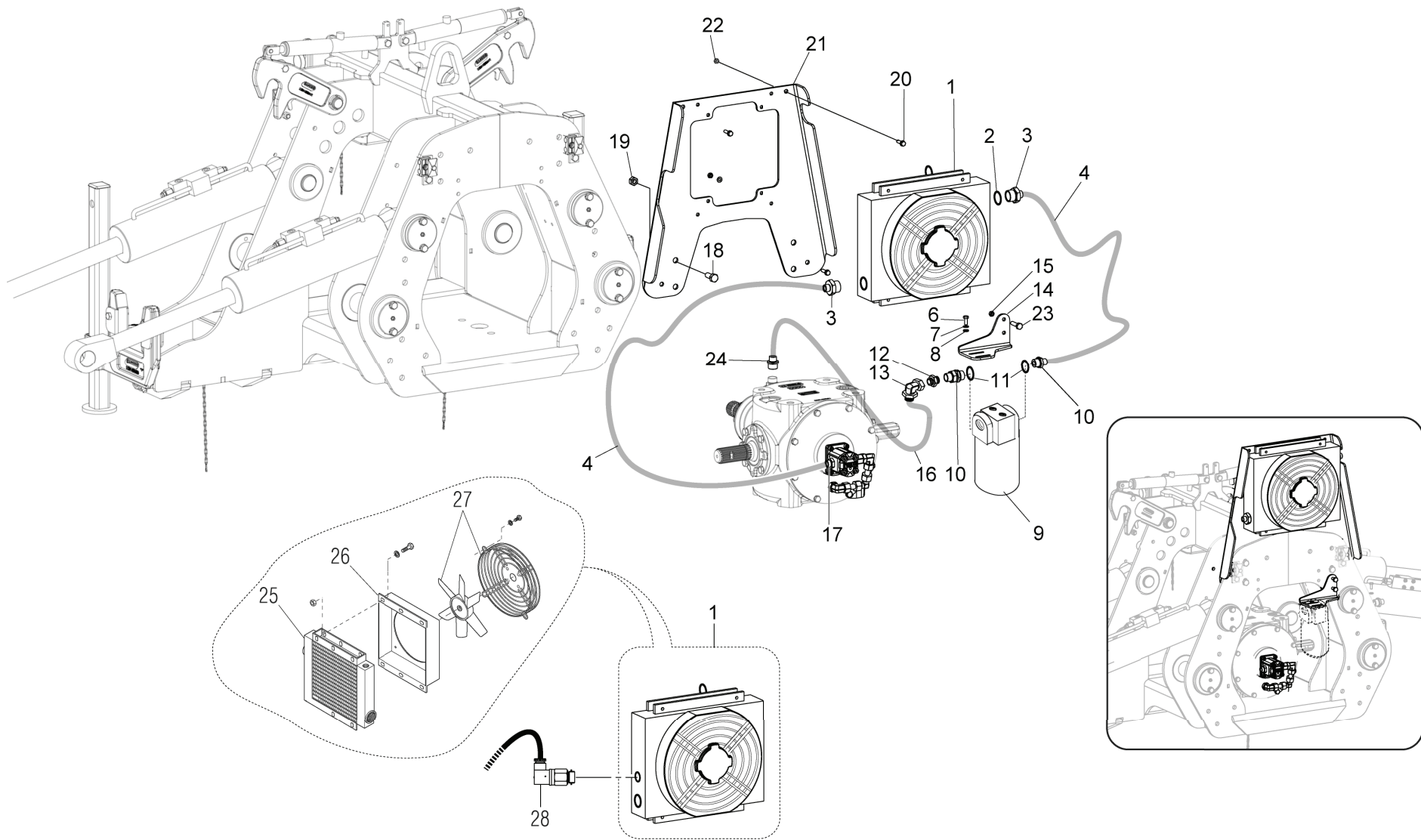
TAV. 110



REGOLAZIONE IDRAULICA RULLI / ROLLERS HYDRAULIC ADJUSTMENT

TAV. 110

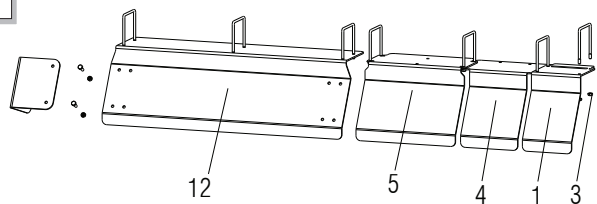
Pos.	Cod.	Descrizione	Description	Benennung	Description	Description
1	M16700630	PROTEZIONE LATERALE	LATERAL PROTECTION			
2	M72400849	SUPPORTO RULLO	SUPPORT ROLLER			
3	M72400852	SUPPORTO RULLO	SUPPORT ROLLER			
4	M72400842	BRACCIO SUPP.RULLO EST. SX.	ROLLER ARM SUPPORT LEFT OUTER			
5	M72400840	BRACCIO COLLEGAMENTO	ARM CONNECTION			
6	M72400841	BRACCIO SUPP.RULLO EST. DX.	ROLLER ARM SUPPORT RIGHT OUTS.			
7	M36200554	STAFFA ATTACCO	STIRRUP LINKAGE	ATTELAGE ETRIER	BUEGELLINK	ESTRIBO ATAQUE
8	F01010341	VITE M16X1,5X45 U5740 8.8ZN	SCR. M16X1,5X45 U5740 8.8ZN	VIS M16X1,5 X45 U5740 8.8 ZN	SCHR.M16X1,5 X45 U5740 8.8 ZN	TORN.M16X1,5 X45 U5740 8.8 ZN
9	F01220070	DADO M16X1,5 D980 8ZN	NUT M16X1,5 D980 8ZN	ECRO.M16X1,5 D980 8ZN	MUTTER M16X1,5 D980 8ZN	TUER.M16X1,5 D980 8ZN
10	F01010151	VITE M18X1,5X60 U5738 8.8ZN	SCR. M18X1,5X60 U5738 8.8ZN	VIS M18X1,5X60	SCHRAUBE M18X1,5X60	TORNILLO M18X1,5X60
11	F01220081	DADO M18X1,5 D980 8ZN	NUT M18X1,5 D980 8ZN	ECROU AUTOBL. M18X1,5 980-V	SELBSTSP.MUTT. M18X1,5 980-V	DADO AUTOBL. M18X1,5 980-V
12	F01480156	ROS.G 19X32 X5,3 FLZNNC-240H	GROWER WASHER D.18	RONDELLE GROWER D.18	SCHIBE GROWER D.18	ARANDELA GROWER D.18
13	M27400833	ATTACCO MARTINETTO	JACK LINK	ATTELAGE CYLINDRE	WINDEHALTERUNG	ENGANCHE DEL GATO
14	M58100638	MARTINETTO REGOLAZIONE RULLO	HYDRAULIQUE ROLLER ADJUSTER	MANIVELLE HYDRAULIQUE REG.ROUL	HYDRAUL.SPINDELVERSTELLUNG	GATO HYDRAULICO REG.RODILLO
15	F20100049	PERNO D22 L86 C43 ZN	BOLT D22 L86 C43 ZN	GOUJON D.22	BOLZEN D.22	PERNO D.22
16	F02200529	SPINA SCATTO D.11 H58 ZN	SNAP PIN D.11 H58 ZN	FICHE A DETENTE D.11 H58 ZN	EINRASTSTIFT D.11 H58 ZN	CLAVIJA DE MUELLE D.11 H58 ZN
17	M16700814	PIASTRA RINF.BRACCIO CENTR	CENTRAL ARM REINF. PLATE			
18	F01010116	VITE M16X1,5X60 U5738 8.8ZN	SCR. M16X1,5X60 U5738 8.8ZN	VIS M 16X1,5X60	SCHRAUBE M 16X1,5X60	TORNILLO M 16X1,5X60
19	F01480145	ROS.G 17X29 X 5 FLZNNC-240H	GROWER WASHER 17X29	RONDELLE GROWER 17X29	SCHIBE GROWER 17X29	ARANDELA GROWER 17X29
20	F01010288	VITE M12X1,25X35 U5740 8.8ZN	SCR. M12X1,25X35 U5740 8.8ZN	VIS M12X1,25X35 U5740 8.8 ZN	SCHR.M12X1,25X35 U5740 8.8 ZN	TORN.M12X1,25X35 U5740 8.8 ZN
21	F01220047	DADO M12X1,25 D980 8ZN	NUT M12X1,25 D980 8ZN	ECROU M12X1,25 D980 8 ZN	MUTTER M12X1,25 D980 8 ZN	TUERCA M12X1,25 D980 8 ZN
22	F01010055	VITE M12X1,25X50 U5738 8.8ZN	SCR. M12X1,25X50 U5738 8.8ZN	VIS M12X1,25X50 U5738 8.8 ZN	SCHRA.M12X1,25X50 U5738 8.8 ZN	TORN. M12X1,25X50 U5738 8.8 ZN



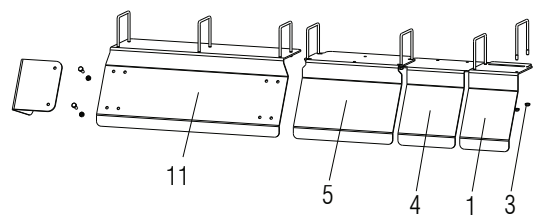
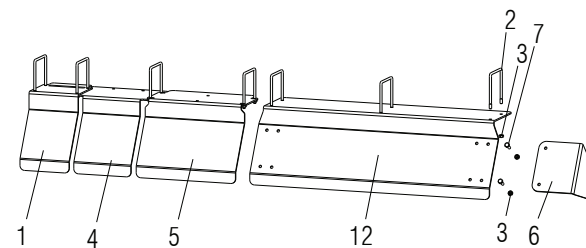
IMPIANTO DI RAFFREDDAMENTO / OIL COOLER

TAV. 120

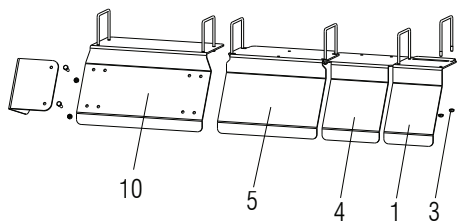
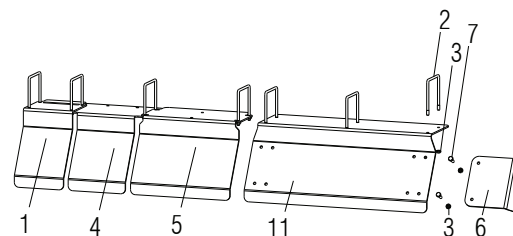
Pos.	Cod.	Descrizione	Description	Benennung	Description	Description
1	F03151436	SCAMBIATORE BO ARIAOLIO +TERM.	GEAR BOX OIL COOLER			
2	F03020115	RONDELLA BONDED AUTOCENT 1"	BONDED WASHER 1"			
3	F03150169	NIPPLO 1" 1/2" GAS	NIPLE 1"-1/2"GAS	NIPLE 1"-1/2"GAS	NIPLE 1"-1/2"GAS	NIPLE 1"-1/2"GAS
4	F03050102	TUBO 2SN 1/2"F901/2 F901/2 950	FLEXIBLE TUBE R2AT 1/2" L 920	TUBE FLEXIBLE R2AT 1/2" L 920	ROHR 2SN 1/2"F901/2 F901/2 950	TUBO 2SN 1/2"F901/2 F901/2 950
5	F03020115	RONDELLA BONDED AUTOCENT 1"	BONDED WASHER 1"			
6	F01020436	VITE M8X1,25X20 U5739 8.8ZN	SCR. M8X1,25X20 U5739 8.8ZN	VIS M8X1,25X20 U5739 8.8 ZN	SCHRAUBE M8X1,25X20U5739 8.8ZN	TORN. M8X1,25X20 U5739 8.8 ZN
7	F01410051	ROS.M8 8,4X 17X1,6 U6592 ZN	WASHER M8 8,4X17X1,6 U6592 ZN	RONDELLE M8 8,4X17X1,6 U6592ZN	SCHEIBE M8 8,4X17X1,6 U6592 ZN	ARANDELA M8 8,4X17X1,6 U6592ZN
8	F03020146	RONDELLA BONDED AUTOCENT 3/4	WASHER BONDED AUTOCENT 3/4			
9	F03151523	FILTRO*CON CARTUCCIA 125MICRO.	CARTRIDGE FILTER 125 MIC.			
10	F03150244	NIPPLO MM CIL-CIL 1/2-3/4 ZN M	NIPLE MM 1/2" 3/4"	NIPLE MM 1/2" 3/4"	NIPLE MM 1/2" 3/4"	NIPLE MM 1/2" 3/4"
11	F03020146	RONDELLA BONDED AUTOCENT 3/4	WASHER BONDED AUTOCENT 3/4			
12	F03150865	ADATT. MF 3/4-1/2 L=26 ZN	CONNECTOR MF 3/4-1/2 L=26	RACCORD MF 3/4-1/2 L=26	ANSCHLUSS MF 3/4-1/2 L=26	JUNTURA MF 3/4-1/2 L=26
13	F03150838	ADATT. A 90° ORIENT.1/2	CONNECTOR 90° 1/2" GAS	RACCORD 90°1/2"GAS	ANSCHLUSS 90° 1/2" GAS	JUNTURA 90° 1/2"GAS
14	M09400547	STAFFA SUPPORTO FILTRO	STIRRUP	ETRIER	BUEGEL	ESTRIBO
15	F01220034	DADO M10X1,25 D980 8ZN	NUT M10X1,25 D980 8ZN	ECRO.M10X1,25 D980 8 ZB	MUTT.M10X1,25 D980 8 ZB	TUER.M10X1,25 D980 8 ZB
16	F03050098	TUBO 2SN 1/2"FD 1/2 F901/2 430	FLEXIBLE TUBE SAE100 R6 400	TUBE FLEXIBLE SAE100 R6 400	FLEXIBEL ROHR SAE100 R6 400	TUBO HYDRAULICO SAE100 R6 400
17	F03150255	NIPPLO MASCH.CIL.1/2-1/2 ZN	NIPLE M. CYL. 1/2 - 1/2 ZN	NIPLE M. CYL. 1/2 - 1/2 ZN	NIPLE F. ZYL. 1/2-1/2 ZN	NIPLE M. CIL. 1/2 - 1/2 ZN
18	F01010339	VITE M16X1,5X40 U5740 8.8ZN	SCR. M16X1,5X40 U5740 8.8ZN	VIS M 16X1,5X40	SCHRAUBE M 16X1,5X40	TORNILLO M 16X1,5X40
19	F01220070	DADO M16X1,5 D980 8ZN	NUT M16X1,5 D980 8ZN	ECRO.M16X1,5 D980 8ZN	MUTTER M16X1,5 D980 8ZN	TUER.M16X1,5 D980 8ZN
20	F01020445	VITE M8X1,25X30 U5739 8.8ZN	SCR. M8X1,25X30 U5739 8.8ZN	VIS M 8X1,25X30 U5739 8.8 ZN	SCHRAU, M8X1,25X30 U5739 8.8ZN	TORN. M8X1,25X30 U5739 8.8 ZN
21	M16700583	STAFFA SUPPORTO RADIATORE	RADIATOR SUPPORT BRACKET			
22	F01220022	DADO M8X1,25 D980 8ZN	NUT M8X1,25 D980 8ZN	ECROU M8X 1,25 D980 8 ZN	MUTTER M8X 1,25 D980 8 ZN	TUERCA M8X 1,25 D980 8 ZN
23	F01010256	VITE M10X1,25X40 U5740 8.8ZN	SCR. M10X1,25X40 U5740 8.8ZN			
24	F03150423	NIPPLO MM CON-CIL 3/4-1/2 ZN	NIPPLIO MM CON-CIL 3/4-1/2 ZN			
25	F03151551	PACCO RADIANTE	COOLING ELEMENT			
26	F03151552	CONVOGLIATORE	FRAME			
27	F03151553	ELETTROVENTOLA	ELECTRIC FAN			
28	F03151554	TERMOSTATO	THERMOSTAT			



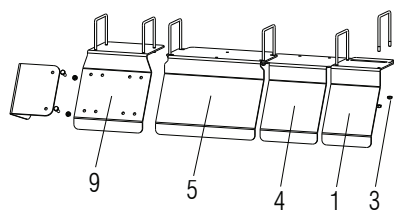
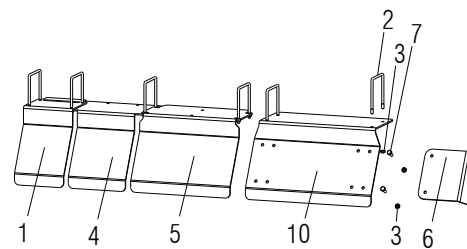
Mod. 620



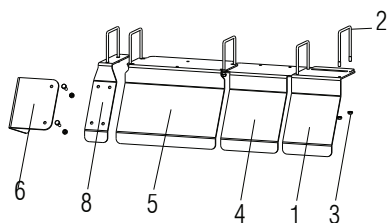
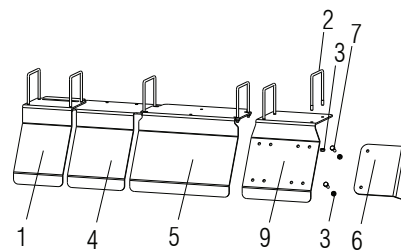
Mod. 570



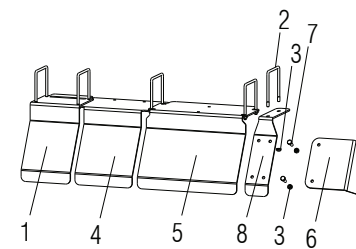
Mod. 520



Mod. 470



Mod. 420

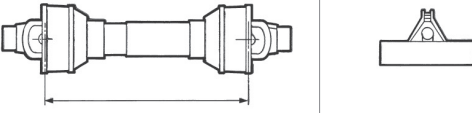


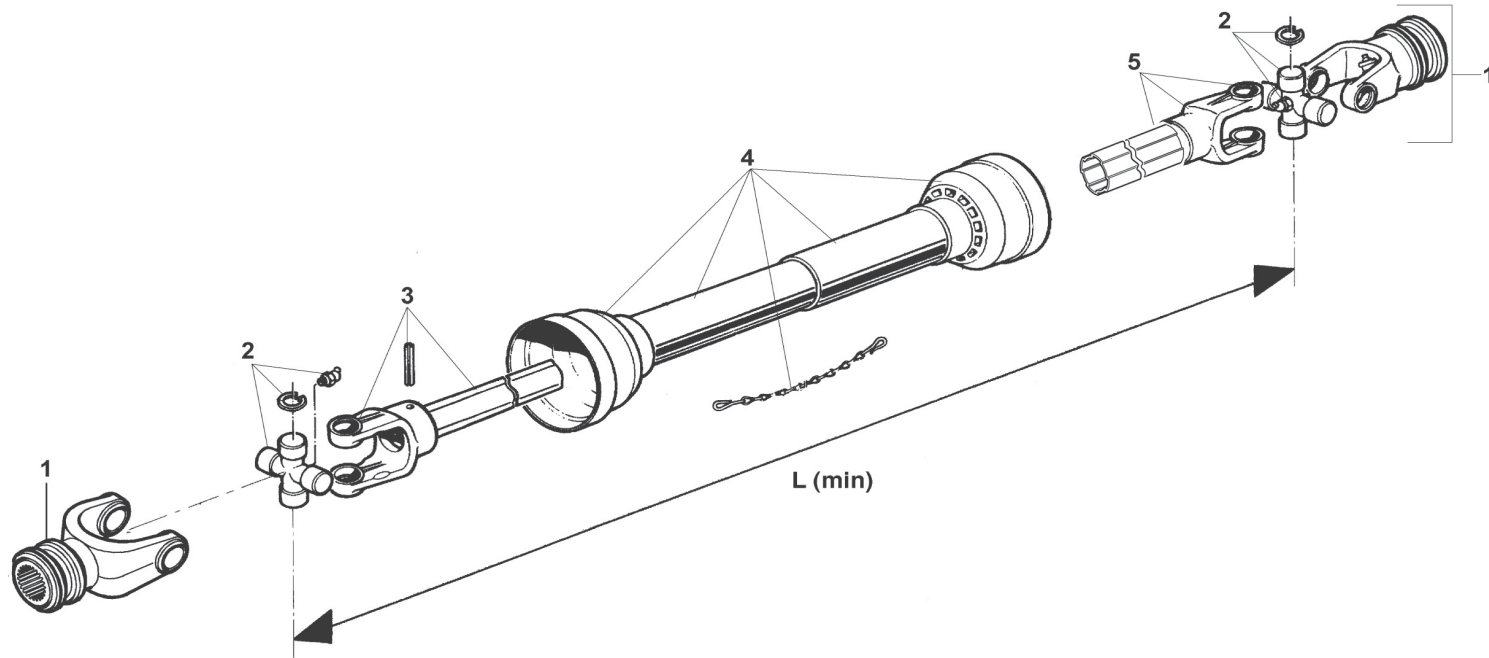
PROTEZIONI / PROTECTION

TAV. 130

Pos.	Cod.	Descrizione	Description	Benennung	Description	Description
1	M16700541	PROTEZIONE CE ANTERIORE L=225	FRONT CE PROTECTION L=225			
2	F20110738	CAV.Q.B=120 M=10X1,5 L=140	U BOLT M=10X1,5 L=140	ATTELAGE M=10X1,5 L=140	VERBINDUNG M=10X1,5 L=140	PERNO M=10X1,5 L=140
3	F01220033	DADO M10X1,5 D980 8ZN	NUT M10X1,5 D980 8ZN	ECROU M10X1,5 D980 8ZN	MUTTER M10X1,5 D980 8ZN	TUERCA M10X1,5 D980 8ZN
4	M16700545	PROTEZIONE CE ANTERIORE L=250	FRONT CE PROTECTION L=250			
5	M16700542	PROTEZIONE CE ANTERIORE L=440	FRONT CE PROTECTION L=440			
6	M16700544	PROTEZIONE CE ANTERIORE	FRONT CE PROTECTION			
7	F01020476	VITE M10X1,5X30 U5739 8.8ZN	SCR. M10X1,5X30 U5739 8.8ZN	VIS M10X1,5X30 U5739 8.8 ZN	SCHRAUBE M10X1,5X30U5739 8.8ZN	TORNIL.M10X1,5X30 U5739 8.8 ZN
8	M16700548	PROTEZIONE CE ANTERIORE L=100	FRONT CE PROTECTION L=100			
9	M16723549	PROTEZIONE CE ANTERIORE L=300	FRONT CE PROTECTION L=300			
10	M16725549	PROTEZIONE CE ANTERIORE L=550	FRONT CE PROTECTION L=550			
11	M16700546	PROTEZIONE CE ANTERIORE L=800	FRONT CE PROTECTION L=800			
12	M16700543	PROTEZIONE CE ANTERIORE L=1050	FRONT CE PROTECTION L=1050			

TAV. 140

	
A	F08013055
	PANTERA

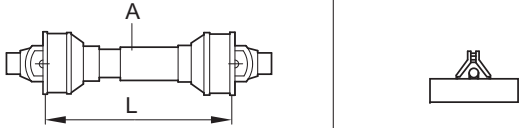


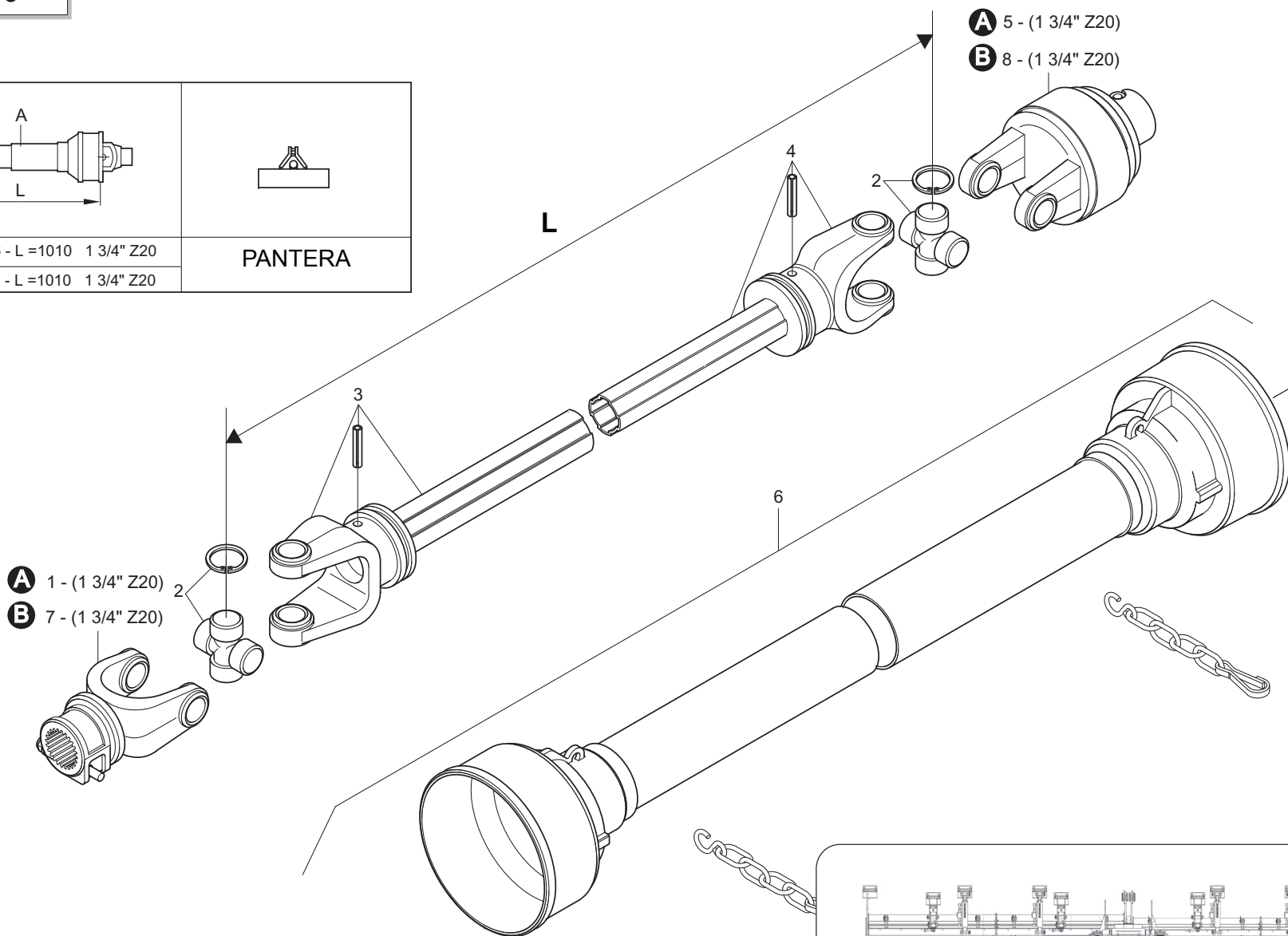
CARDANO CENTRALE
CENTRAL CARDAN SHAFT

CARDANO CENTRALE / CENTRAL CARDAN SHAFT

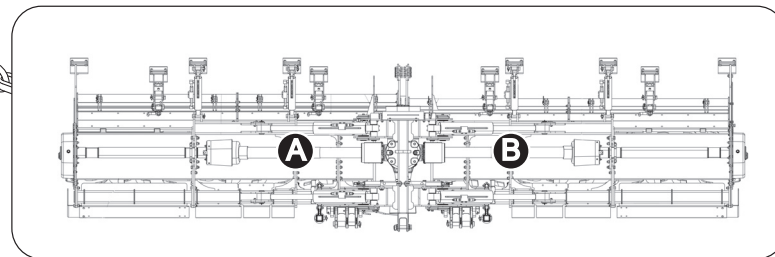
TAV. 140

Pos.	Cod.	Descrizione	Description	Benennung	Description	Description
1	F08010419	FORCELLA 3/4 Z20*S0	5720S3855 FORK 3/4 Z20*S1	FOURCHE ATTELAGE	GABELSTUECK	HORQUILLAATAQUE
2	F08010741	CROCIERA SO 42X130 BOND.	CROCIERA SO 42X130 BOND.	CROISIERE COMPL.	GELENKKREUZ	CRUCETA COMPLETA
3	F08010660	FORCELLA CON TUBO INTERNO	FORK WITH INTERNAL PIPE	FOURCHE AVEC TUBE INTERIEUR	GABELST. + INNENROHR	HORQUILLA + TUBO INTERNO
4	F08000803	PROTEZIONE COMPL. BOND. S0	CESS BON. COMPL. PROTECTION	PROTECTION COMPL.	KOMPL. SCHUTZ	PROTECCION COMPL.
5	F08012010	2040N6853 FORC.+T.EST. BO *SH	FORK WITH EXTERNAL PIPE	FOURCHE AVEC TUBE EXT.	GABELST. + AUSSENROHR	HORQUILLA + TUBO EXT.

	PANTERA
A F08013056 - L = 1010 1 3/4" Z20	
B F08013057 - L = 1010 1 3/4" Z20	



**CARDANI LATERALI
SIDE CARDAN SHAFTS**

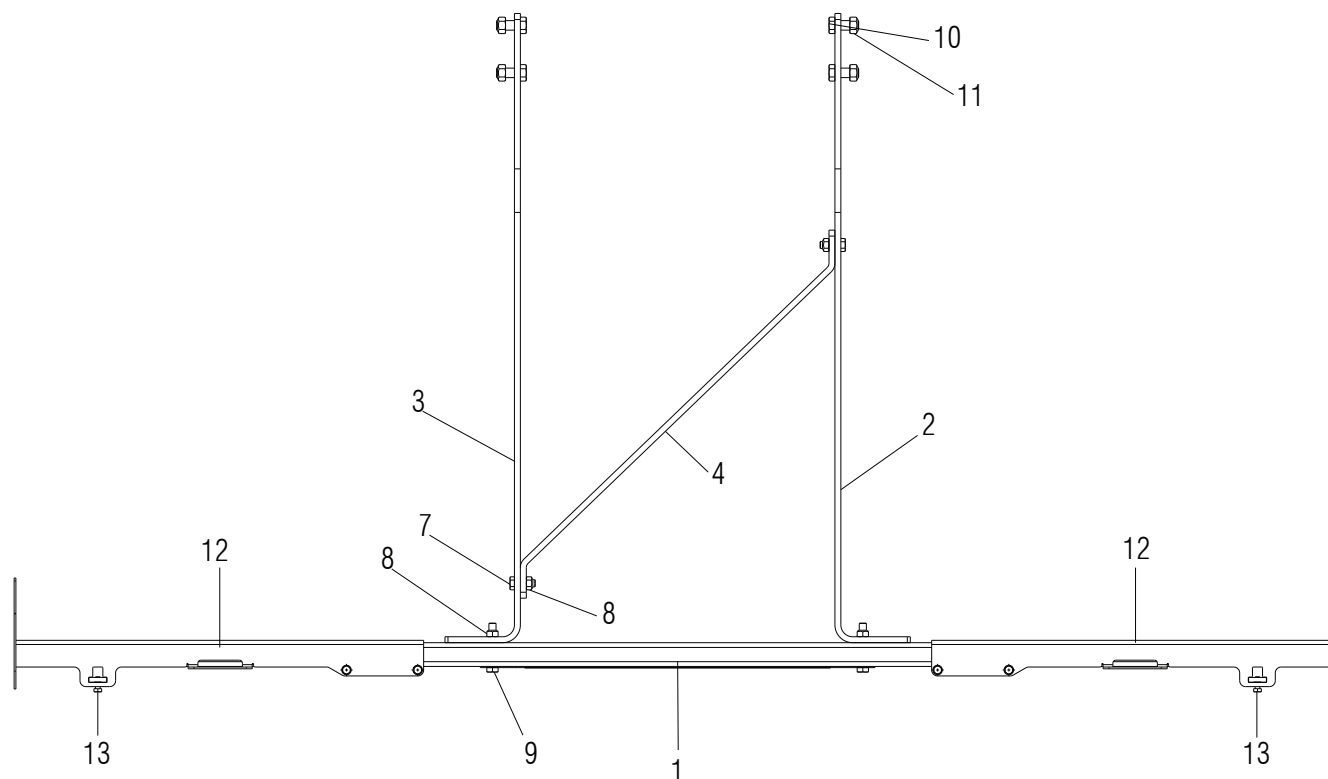
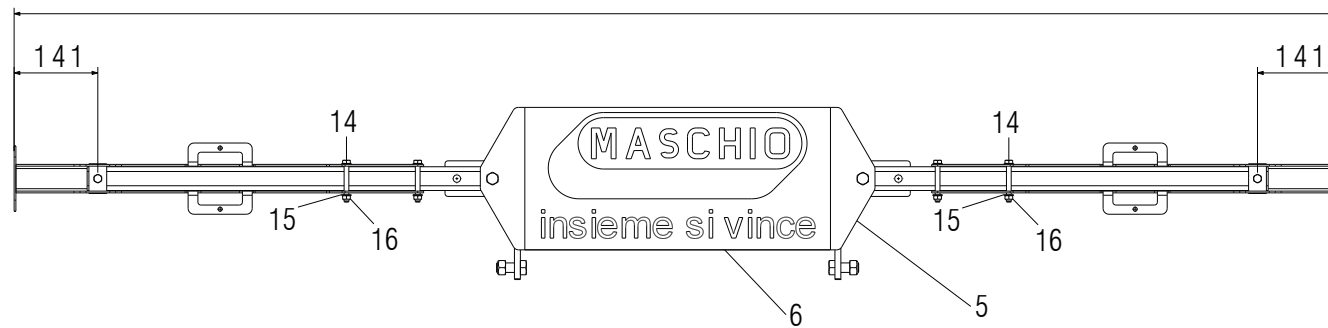


CARDANI LATERALI / SIDE CARDAN SHAFTS

TAV. 150

Pos.	Cod.	Descrizione	Description	Benennung	Description	Descripcion
1	F08013065	FORCELLA S9 1 3/4 Z6 BUL	FORCELLA S9 1 3/4 Z6 SX			
2	F08010739	CROCIERA COMPLETA S9	SPIDER ASSY	CROISIERE COMPL.	GELENKKREUZ KOMPL.	CRUCETA COMPLETA
3	F08010191	FORCELLA CON ALBERO EST.S9	FORK WITH EXTERNAL SHAFT L=635			
4	F08012167	FORCELLA +SP.+TUB.INT.	FORK TUBE INT.S9			
5	F08013066	FRIZ.NOT.3000NM 3/4Z20 DX /S9	CLUTCH COMPLETE TURN RIGHT S9			
6	F08010861	PROTEZIONE COMPLETA BOND.S9	PROTECTION ASSY BOND.L=820			
7	F08013068	FORC.S9 1 3/4Z20 BUL	FORC.S9 1 3/4Z20 BUL			
8	F08013070	FRIZ.NOT.3000NM 3/4Z20 SX /S9	CLUTCH RATCHET 3/4Z20 LF S9			

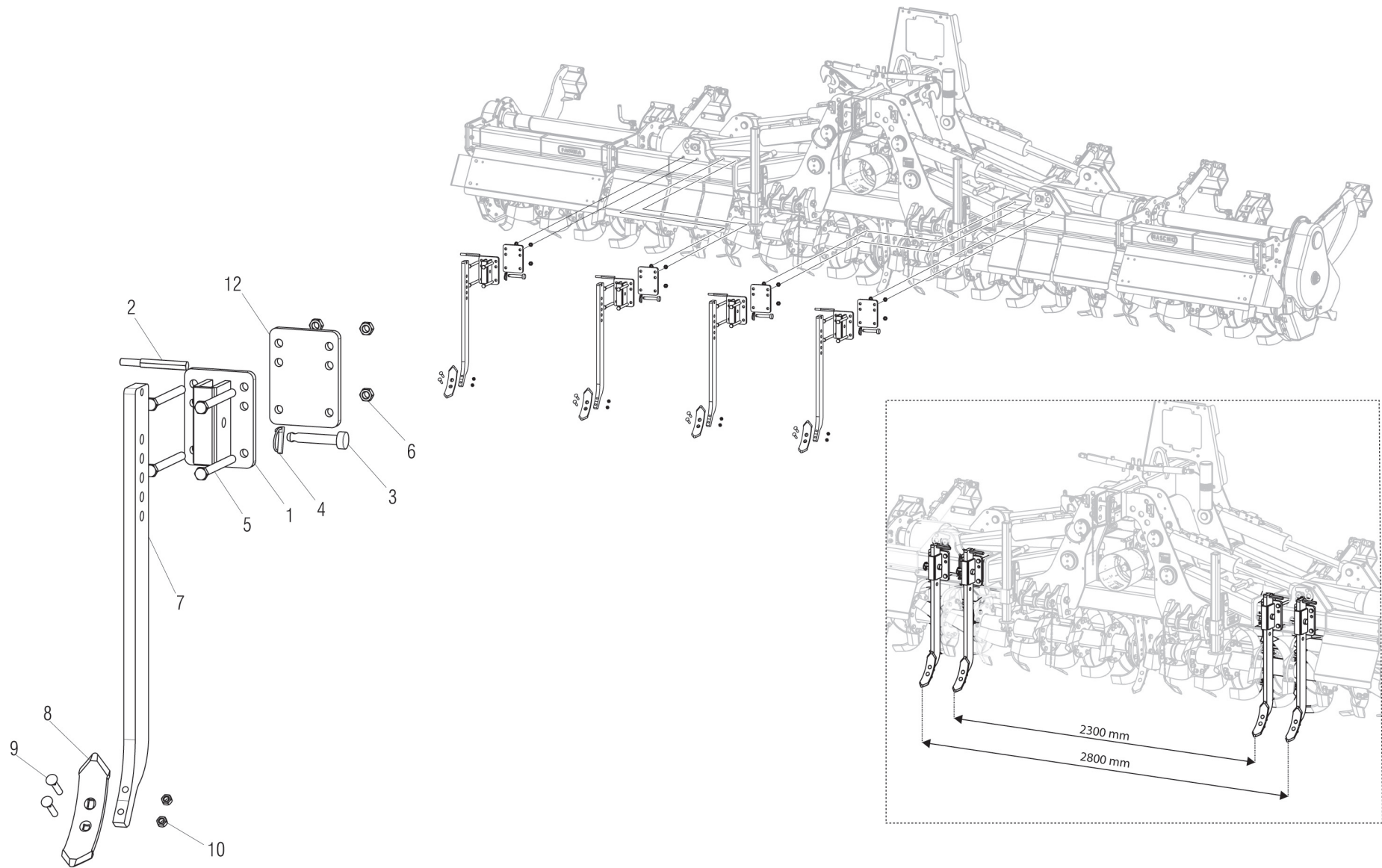
da 2060mm a 3000mm
from 2060mm to 3000mm



BARRA FANALI / REAR LIGHTS

TAV. 160

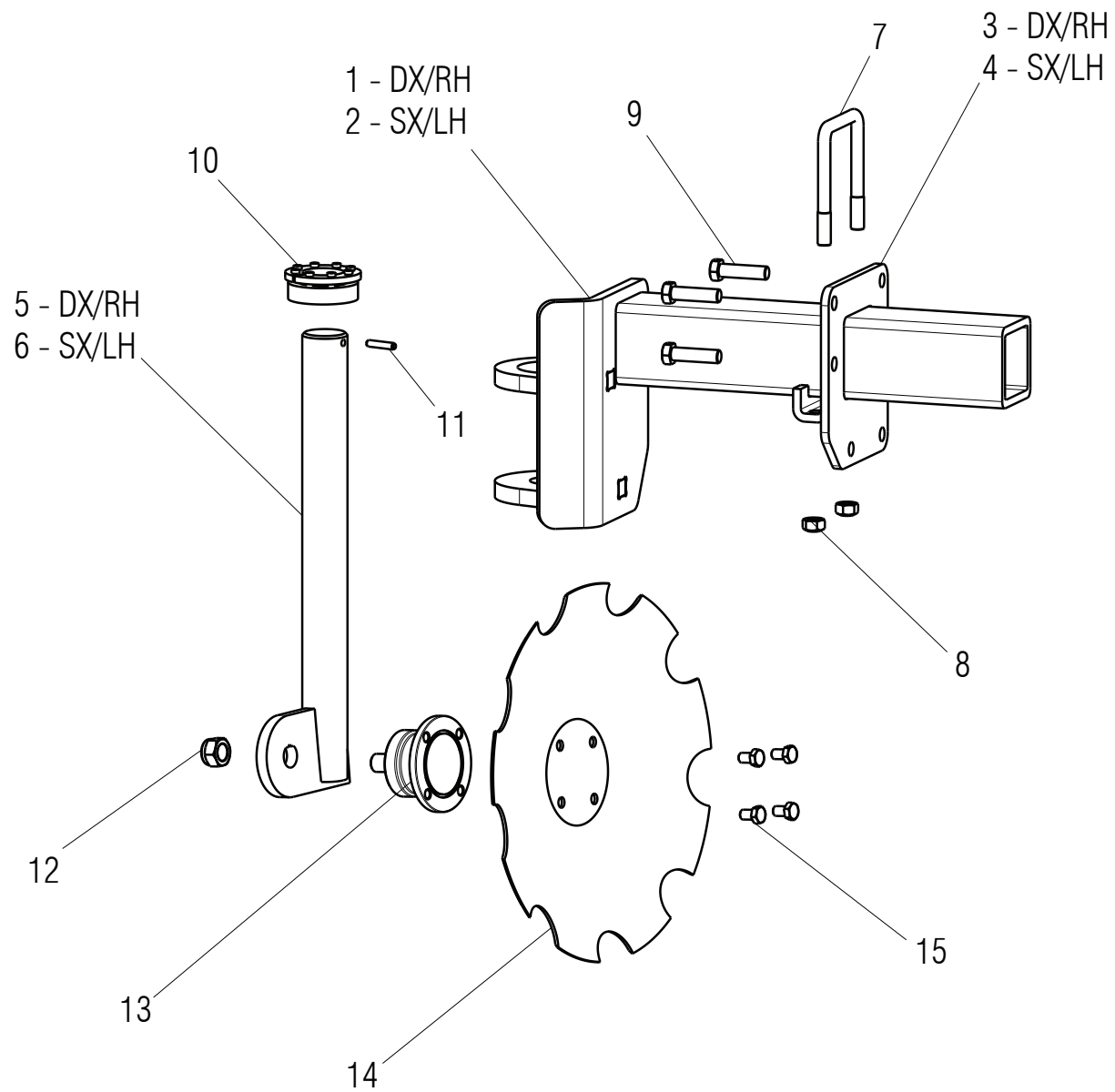
Pos.	Cod.	Descrizione	Description	Benennung	Description	Descripcion
1	M55400920	TUBO QUADRO	SQUARE PIPE			
2	M55400902	PIATTO SUPPORTO BARRALUCI DX	PIATTO SUPPORTO BARRALUCI DX			
3	M55400903	PIATTO SUPPORTO BARRALUCI SX	PIATTO SUPPORTO BARRALUCI SX			
4	M12400655	PIATTO RINF.BARRA LUCI AQUILA	PIATTO RINF.BARRA LUCI AQUILA			
5	M09400715	PIASTRA PER ETICHETTA	PLATE			
6	F20010111	ETICH.IDENT. INSIEME SI VINCE	LABEL	ETIQUETTE	AUFKLEBER	ETIQUETA
7	F01010288	VITE M12X1,25X35 U5740 8.8ZN	SCR. M12X1,25X35 U5740 8.8ZN	VIS M12X1,25X35 U5740 8.8 ZN	SCHR.M12X1,25X35 U5740 8.8 ZN	TORN.M12X1,25X35 U5740 8.8 ZN
8	F01220047	DADO M12X1,25 D980 8ZN	NUT M12X1,25 D980 8ZN	ECROU M12X1,25 D980 8 ZN	MUTTER M12X1,25 D980 8 ZN	TUERCA M12X1,25 D980 8 ZN
9	F01010060	VITE M12X1,25X75 U5738 8.8ZN	SCR. M12X1,25X75 U5738 8.8ZN	VIS M12X1,25X75 U5738 8.8 ZB	SCHR.M12X1,25X75 U5738 8.8 ZB	TORN.M12X1,25X75 U5738 8.8 ZB
10	F01010339	VITE M16X1,5X40 U5740 8.8ZN	SCR. M16X1,5X40 U5740 8.8ZN	VIS M 16X1,5X40	SCHRAUBE M 16X1,5X40	TORNILLO M 16X1,5X40
11	F01220070	DADO M16X1,5 D980 8ZN	NUT M16X1,5 D980 8ZN	ECRO.M16X1,5 D980 8ZN	MUTTER M16X1,5 D980 8ZN	TUER.M16X1,5 D980 8ZN
12	M55400921	STAFFA SCORREVOLE	SLIDING BRACKET			
13	F01020436	VITE M8X1,25X20 U5739 8.8ZN	SCR. M8X1,25X20 U5739 8.8ZN	VIS M8X1,25X 20 U5739 8.8 ZN	SCHRAUBE M8X1,25X20U5739 8.8ZN	TORN. M8X1,25X20 U5739 8.8 ZN
14	F01020082	VITE M8X1,25X65 U5737 8.8ZN	SCR. M8X1,25X65 U5737 8.8ZN	VIS M8X1,25X65 U5737 8.8 ZN	SCHRA. M8X1,25X65 U5737 8.8 ZN	TORN. M8X1,25X65 U5737 8.8 ZN
15	F01410051	ROS.M8 8,4X 17X1,6 U6592 ZN	WASHER M8 8,4X17X1,6 U6592 ZN	RONDELLE M8 8,4X17X1,6 U6592ZN	SCHIEBE M8 8,4X17X1,6 U6592 ZN	ARANDELA M8 8,4X17X1,6 U6592ZN
16	F01220022	DADO M8X1,25 D980 8ZN	NUT M8X1,25 D980 8ZN	ECROU M8X 1,25 D980 8 ZN	MUTTER M8X 1,25 D980 8 ZN	TUERCA M8X 1,25 D980 8 ZN



ROMPITRACCIA / TRACK ERADICATORS

TAV. 170

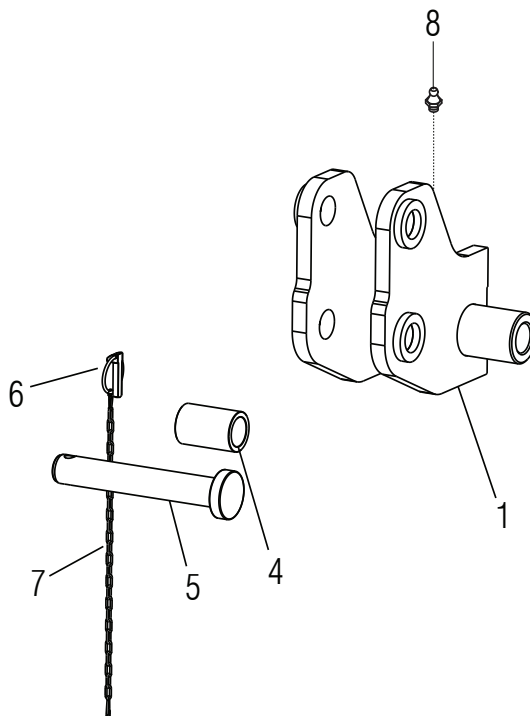
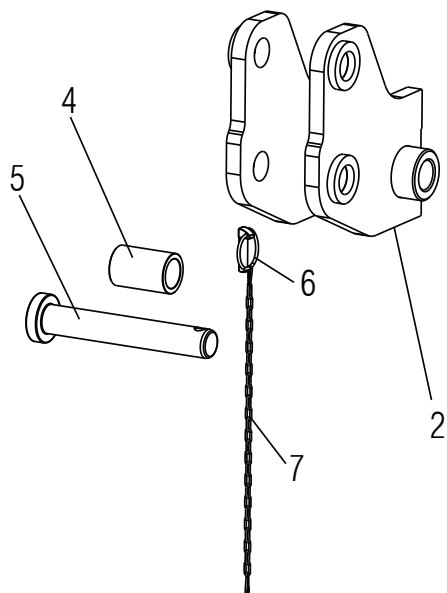
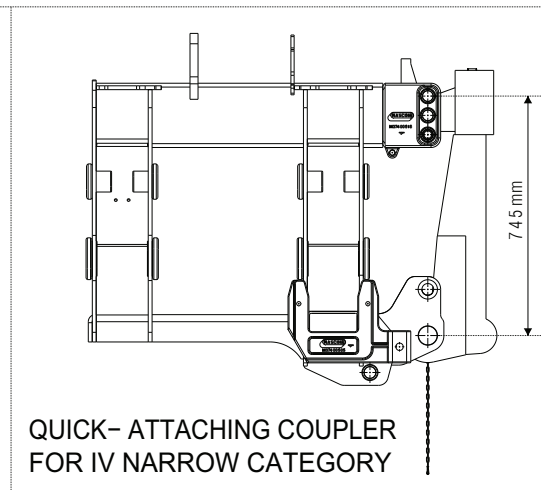
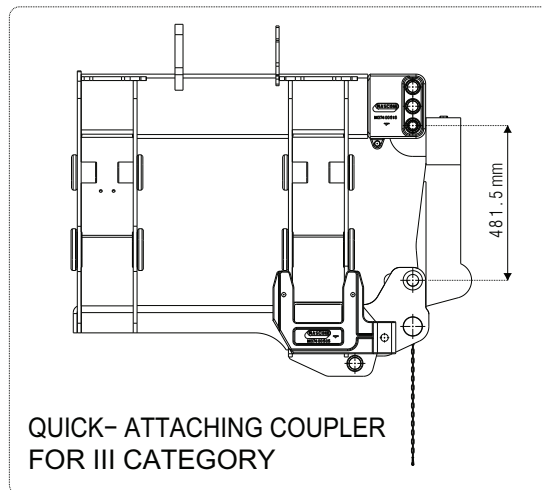
Pos.	Cod.	Descrizione	Description	Benennung	Description	Description
1	M72100715	COMP. SUPPORTO ANCORA E RUOTE	SUPPORT	SUPPORT	HALTER	SOPORTE
2	M41100514	PERNO D=ESAG.22 L=145 ZN	PIN D=22 L=145	GOUJON D=22 L=145	STIFT D=22 L=145	PERNO D=22 L=145
3	F20100035	PERNO D19 L90 C43	BOLT D19 L86 C43 ZN	BOULON D19 L86 C43	BOLZEN D19 L86 C43	PERNO D19 L86 C43
4	F02200529	SPINA SCATTO D.11 H58 ZN	SNAP PIN D.11 H58 ZN	FICHE A DETENTE D.11 H58 ZN	EINRASTSTIFT D.11 H58 ZN	CLAVIJA DE MUELLE D.11 H58 ZN
5	F01010135	VITE M16X1,5X180 U5738 8.8BR	SCR. M16X1,5X180 U5738 8.8BR	VIS M 16X1,5X170	SCHRAUBE M 16X1,5X170	TORNILLO M 16X1,5X170
6	F01220070	DADO M16X1,5 D980 8ZN	NUT M16X1,5 D980 8ZN	ECRO.M16X1,5 D980 8ZN	MUTTER M16X1,5 D980 8ZN	TUER.M16X1,5 D980 8ZN
7	M16700634	ANCORA PER ROMPITRACCIA	PLOUGH SUPPORT			
8	M12400613	VOMERINO REV.257 X 65 X 10	PLOUGH REV. 257X 65X 10			
9	F01030117	KIT V.M12X1,75X60 U6104 8.8ZN	KIT M12X1,75X60	VIS M12X1,75X60	SCHRAUBE M12X1,75X60	TORNILLO M12X1,75X60
10	F01220048	DADO M12X1,75 D980 8ZN	NUT M12X1,75 D980 8ZN	ECROU M12X1,75 D980 8 ZN	SCHEIBE M12X1,75 D980 8 ZN	TUERCA M12X1,75 D980 8 ZN
11	M16700547	PIATTO DISTANZIALE 150X30X5	SPACER PLATE 150X30X5			
12	M33100598	PIASTRA	PLATE	PLAQUE DE BLOCAGE	SPERRPLATTE	PLACA BLOQUEO



VOMERINO LATERALE / SIDE PLOUGH

TAV. 180

Pos.	Cod.	Descrizione	Description	Benennung	Description	Description
1	M16700647	SUPPORTO VOMERINO DX	RX PLOUGHSHARE SUPPORT			
2	M16700648	SUPPORTO VOMERINO SX	LH PLOUGHSHARE SUPPORT			
3	M16700642	PIASTRA DI FISSAGGIO DX	RIGHT FIXING PLATE			
4	M16700649	PIASTRA DI FISSAGGIO SX	ADJUSTING PLATE LH			
5	M72400647	SUPPORTO VERT. DISCO DX.	RH PLOUGHSHARE SUPPORT			
6	M72400648	SUPPORTO VERT. DISCO SX.	LH PLOUGHSHARE SUPPORT			
7	F20110800	CAV.R.B=100 M=16X2 L=135	U BOLT R.B=100 M=16X2 L=135	ATTEL.B=100 M=16X2 L=135	VERBI.B=100 M=16X2 L=135	PERNO U B=100 M=16X2 L=135
8	F01220266	DADO M16X2 D980 8ZN	NUT M16X2 D980 8ZN	ECROU M16X 2 D980 8 ZN	MUTTER M16X 2 D980 8 ZN	TUERCA M16X 2 D980 8 ZN
9	F01010346	VITE M16X1,5X60 U5740 8.8ZN	SCR. M16X1,5X60 U5740 8.8ZN	VIS M16X1,5X60	SCHRAUBE M16X1,5X60	TORNILLO M16X1,5X60
10	F06060043	CALETT.AUTOC.55X85 8F	CLAMPING ELEMENT			
11	F02100142	SPINA E.P. 8X 40 U6873 C70 BR	ELASTIC PIN 8X40	GOUJON ELASTIQUE 8X40	SPANNHUELSE 8X40	ESPINA ELASTICA 8X40
12	F01230269	DADO M22X1,5 D985 6SZN	NUT M22X1,5 D985 6S ZN	ECROU AUTOBL.M22X1,5 D985 6SZN	SELBST.MUTT.M22X1,5 D985 6S ZN	DADO AUTOBL.M22X1,5 D985 6S ZN
13	F06160015	MOZZO SKF AGRI HUB BAA-0004	HUB SKF AGRI HUB BAA-0004	MOYEU SKF AGRI HUB BAA-0004	KEILNABE SKF AGRI HUB BAA-0004	CUBO SKF AGRI HUB BAA-0004
14	M65400208	DISCO D.460 BOMBATO 9 DENTI	DISC PRE 460X4 98X4 M12 C9	DISQUE PRE 460X4 98X4 M12 C9	SCHEIBE PRE 460X4 98X4 M12 C9	DISCO PRE 460X4 98X4 M12 C9
15	F01010279	VITE M12X1,25X20 U5740 8.8ZN	SCR. M12X1,25X20 U5740 8.8ZN	VIS M12X1,25X20 U5740 8.8 ZN	SCHRAU.M12X1,25X20 U5740 8.8ZN	TORNI.M12X1,25X20 U5740 8.8 ZN



ATTACCO RAPIDO TIPO U.S.A. / QUICK ATTACHING COUPLER

TAV. 190

Pos.	Cod.	Descrizione	Description	Benennung	Description	Description
1	M16700592	BIELLA QUICK COUPLER 3°4°CAT	QUICK COUPLER 3°4°CAT ROD			
2	M16700591	BIELLA QUICK COUPLER 3°4°CAT	QUICK COUPLER 3°4°CAT ROD			
3	M12400758	DISTANZ. D=45 D=32,5 L=53 ZN	SPACER D=45 D=32,5 L=53 ZN			
4	M12400757	DISTANZ. D=50 D=36,5 L=76 ZN	SPACER 50X36,5X76			
5	F20100142	PERNO D36 L208 C43 ZN	PIN D36 L208 C43 ZN	ENTRETOISE 50X36,5X76	DISTANZSTUECK 50X36,5X76	DISTANCIADOR 50X36,5X76
6	F02200529	SPINA SCATTO D.11 H58 ZN	SNAP PIN D.11 H58 ZN	GOUJON D36 L208 C43 ZN	BOLZEN D36 L208 C43 ZN	PERNO D36 L208 C43 ZN
7	M58100930	CATENELLA L=476	ASSEMBLY CHAIN DMP L=476	FICHE A DETENTE D.11 H58 ZN	EINRASTSTIFT D.11 H58 ZN	CLAVIJA DE MUELLE D.11 H58 ZN
8	F01100048	ING.M 8X1,25 7663A 9SMNPB28 ZN	GREASE NIPPLE M8X1,25 U7663A	CHAINE L=476	KETTE L=476	CADENA L=476
				GRAISSEUR A BILLES M8X1,25	SCHMIERBUECHSE M8X1,25 7663A	ENGRAS. DE ESFERAS M8 X 1,25 A

**USATE SEMPRE RICAMBI ORIGINALI
ALWAYS USE ORIGINAL SPARE PARTS
IMMER DIE ORIGINAL-ERSATZTEILE VERWENDEN
EMPLOYEZ TOUJOURS LES PIECES DE RECHANGE ORIGINALES
UTILIZAR SIEMPRE REPUESTOS ORIGINALES**



Servizio Assistenza Tecnica - After Sales Service

+39 049 9289960

+39 049 9289836

Servizio Ricambi - Spare Parts Service

+39 049 9289888

DEALER:



MASCHIO GASPARDO SpA

Registered Office and Production Plant

Via Marcello, 73 - 35011 Campodarsego (Padova) - Italy

Tel. +39 049 9289810

Fax +39 049 9289900

info@maschio.com

www.maschionet.com

MASCHIO DEUTSCHLAND GMBH

Außere Nürnberger Straße 5

D - 91177 Thalmaßing - Deutschland

Tel. +49 (0) 9173 79000

Fax +49 (0) 9173 790079

dialog@maschio.de

www.maschionet.de

MASCHIO FRANCE Sarl

1 rue Denis Papin ZA

F - 45240 La Ferte St. Aubin

France

Tel. +33 (0) 2.38.64.12.12

Fax +33 (0) 2.38.64.66.79

info@maschio.fr

000 MASCHIO-ГАСПАРДО РУССИЯ

Улица Пушкина, 117 Б

404126 Волжский

Волгоградская область

Тел. +7 8443 203100

факс. +7 8443 203101

info@maschio.ru

MASCHIO GASPARDO SpA

Production Plant

Via Mussons, 7 - 33075 Morsano al Tagliamento (PN) - Italy

Tel. +39 0434 695410

Fax +39 0434 695425

info@gaspardo.it

MASCHIO-GASPARDO USA Inc

120 North Scott Park Road

Eldridge, IA 52748 - USA

Ph. +1 563 2859937

Fax +1 563 2859938

info@maschio.us

MASCHIO-GASPARDO ROMANIA S.R.L.

Strada Înfrăţirii, F.N.

315100 Chisineu-Cris (Arad) -România

Tel. +40 257 307030

Fax +40 257 307040

info@maschio.ro

MASCHIO IBERICA S.L.

MASCHIO-GASPARDO POLAND

MASCHIO-GASPARDO UCRAINA

GASPARDO-MASCHIO TURCHIA

MASCHIO-GASPARDO CINA

MASCHIO-GASPARDO INDIA

MASCHIO-GASPARDO KOREA