



PARTS BREAKDOWN

2" CHEMICAL PUMP

MODEL:NP-2065HR



BEPOWEREQUIPMENT

.COM

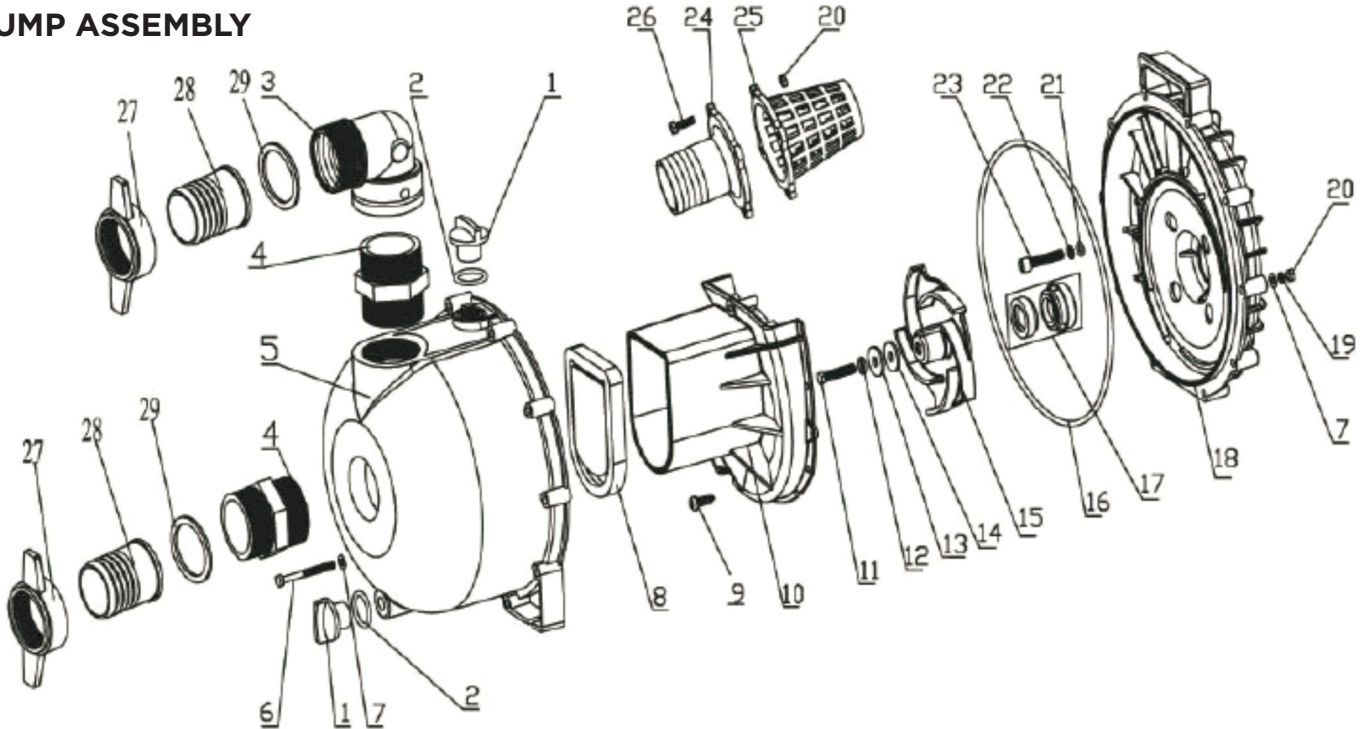


PARTS BREAKDOWN

2" CHEMICAL PUMP

MODEL:NP-2065HR

PUMP ASSEMBLY



REF #	DESCRIPTION	QTY	BE PART #
1-2	THREADED PLUG AND WASHER	2	50.001.021
3-4	WATER OUTLET AND OUTLET	1	85.571.161
5	PUMP BODY	1	85.571.168
8	WATER INLET GASKET	1	85.571.162
12-14	WASHER	1	
16	WATER PUMP JOINT CUSHION	1	
17	MECHANISM SEAL ASSY	1	
6	BOLT	10	85.571.169
7	FLAT WASHER	20	
9	SCREW	2	
12-14	WASHER SET	1	
11	SCREW	1	
19	WASHER	10	
20	NUT	14	85.571.166
21-23	WASHER AND SCREW SET	4	
10	WHORL CASE	1	
15	IMPELLER	1	85.571.163
18	WATER PUMP JOINT	1	85.571.167
20,24-26	SUCTION HOSE FILTER STRAINER	1	50.002.400

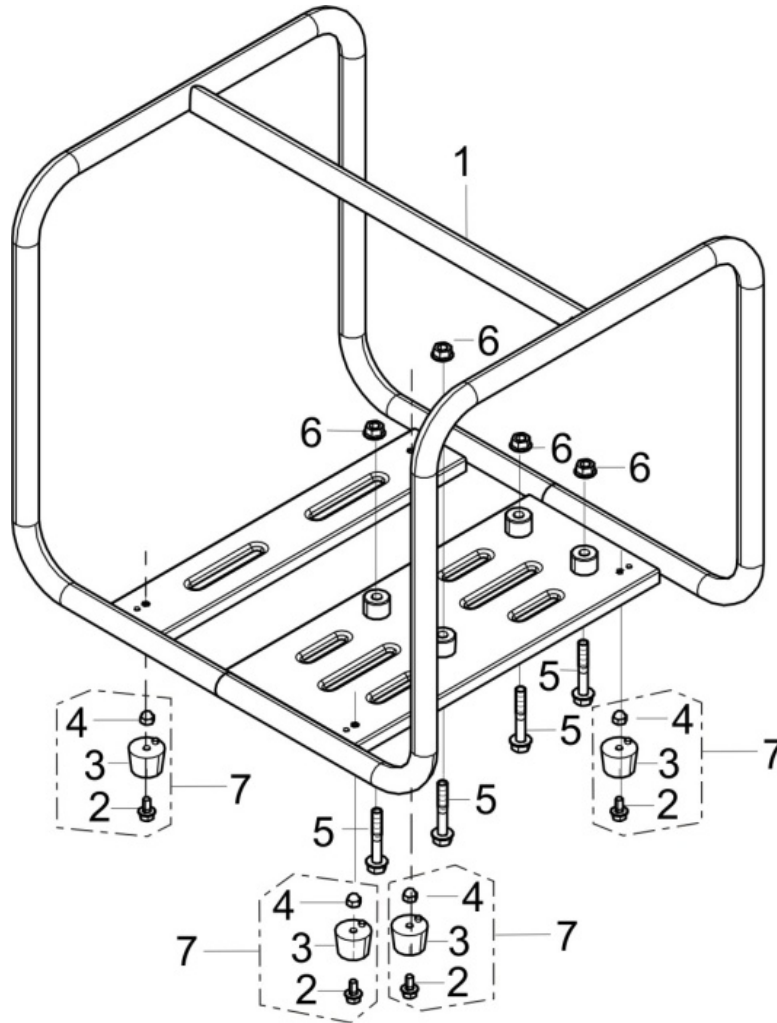


PARTS BREAKDOWN

2" CHEMICAL PUMP

MODEL:NP-2065HR

FRAME ASSEMBLY



REF #	DESCRIPTION	QTY	BE PART #
2	Bolt	4	50.002.205
3	Engine Frame Shock Absorption Seat	4	
4	Acorn Nut	4	

***CHECK WITH HONDA FOR ENGINE BREAKDOWN AND PARTS**

BE

POWER EQUIPMENT

If you need technical assistance call:

1-866-850-6662

(8:00am - 4:30pm PST, Mon - Fri)