

KOHLER® RH SERIES™

5.5–6.5 HP Engines



KOHLER®
IN POWER. SINCE 1920.

265
engines.com
per GAE, 21940 Gross
113 38

Go ahead. ASK FOR MORE FROM YOUR ENGINE.



RH265



Get pro-grade features on an easy-to-handle consumer engine. The KOHLER® RH Series™ has overhead valve design for better fuel efficiency and user-friendly features like Accu-Fill® and easy-pull technology for the homeowner. It's CARB Tier 3-compliant for emissions and backed by a two-year limited warranty. And built to last, so consumers get more hours out of their equipment.

EASY TO START

- Effortless starts with large recoil starter
- Easy-pull ergonomic handle
- Quiet operation thanks to the oversized muffler with heat shield

EASY TO USE

- Easy pours and less spilling with Accu-Fill fuel tank's 45% larger angled fuel neck
- Simple starts and stops with all-in-one throttle/choke/shutoff control lever
- Lightweight design makes for easy maneuverability

TOP PERFORMANCE

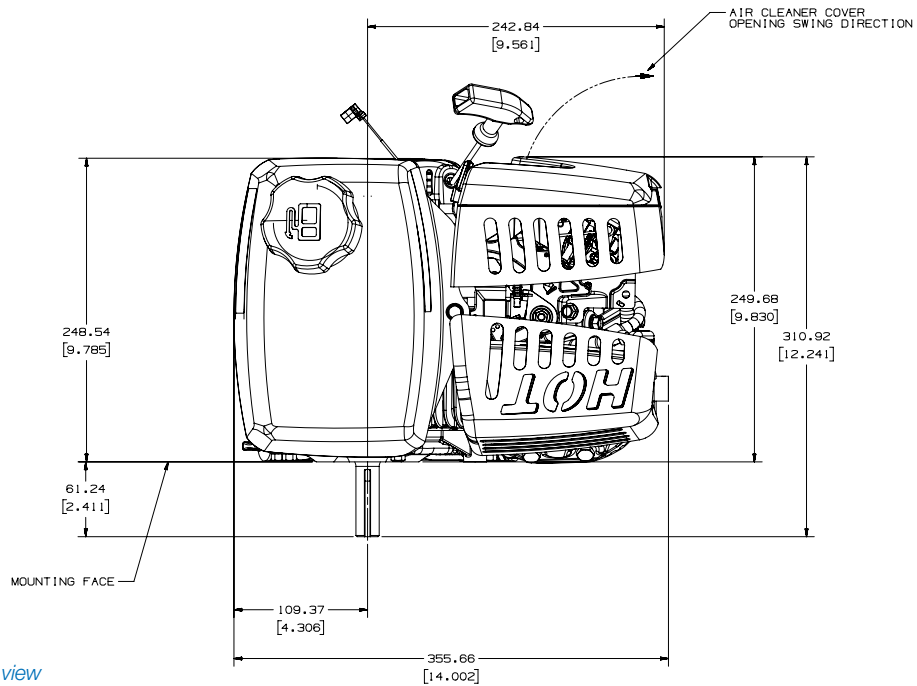
- Small, but powerful – a compact design with high horsepower and torque
- Cool-running OHV design for fuel efficiency with clean emissions

WE'VE GOT YOUR BACK

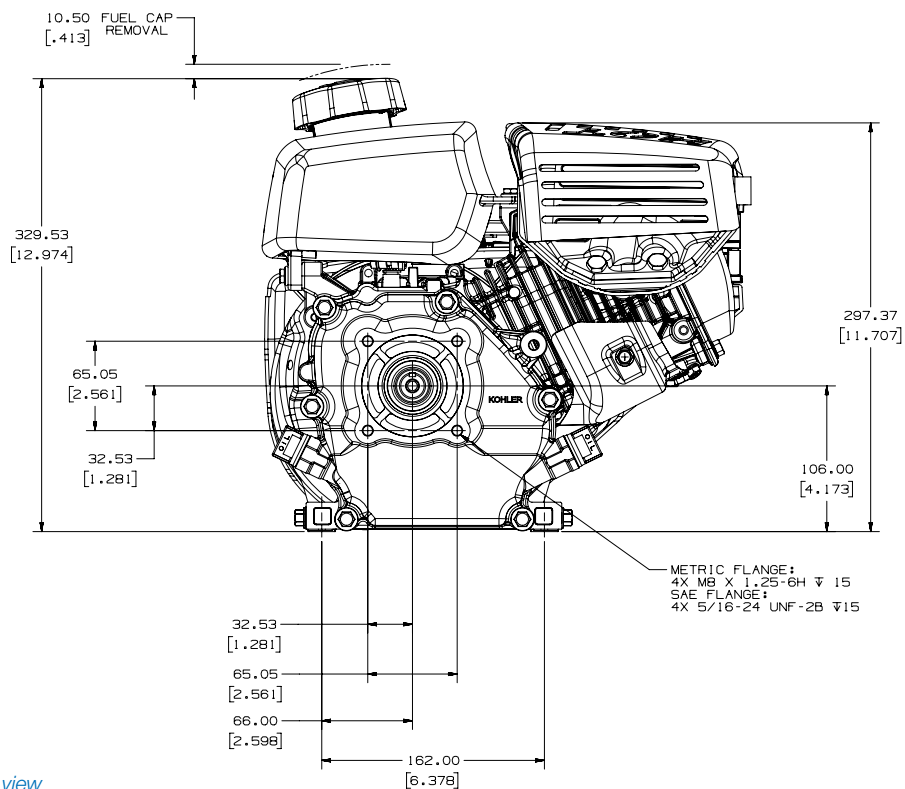
- We stand behind our dealers. And they stand behind our warranty
- Need a replacement part? It's in stock now, not later
- KOHLER genuine parts are built for the long haul to give you peace of mind

KOHLER® RH SERIES™

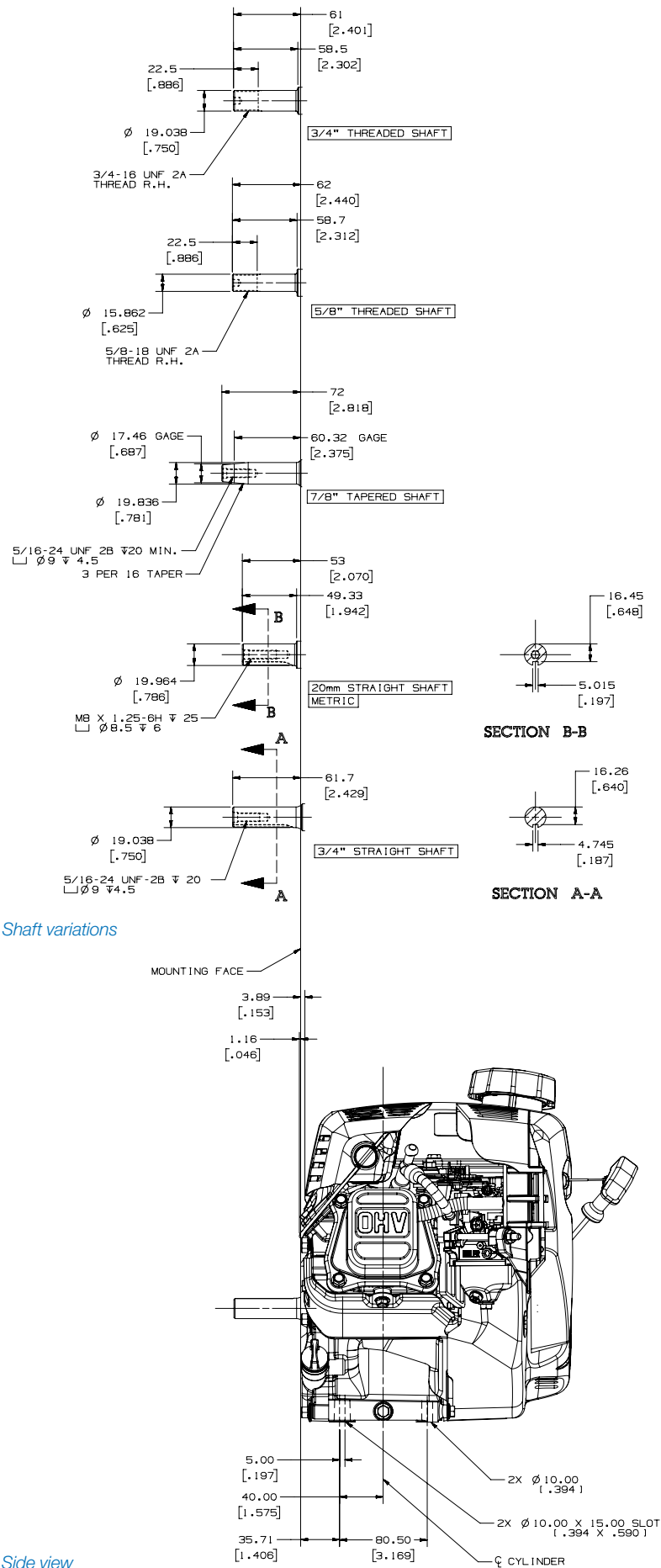
5.5–6.5 HP Engines



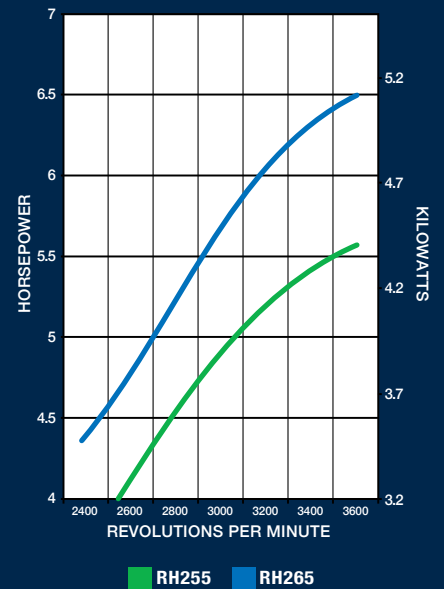
Top view



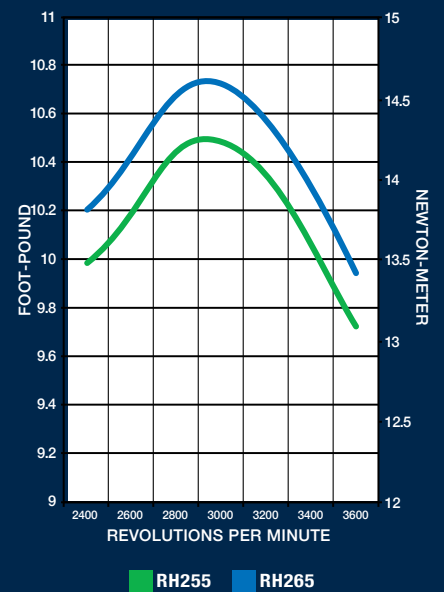
PTO view



MAXIMUM POWER



MAXIMUM TORQUE



KOHLER® RH SERIES™

ENGINE TYPE		Four-cycle, single-cylinder, slant-cylinder, OHV, air-cooled, gasoline, horizontal shaft, aluminum head and crankcase.	
MODEL		RH255	RH265
GROSS POWER @ 3600 RPM*	Maximum hp (kW)	5.5 (4.2)	6.5 (4.8)
DISPLACEMENT	cu in (cc)	12 (196)	
BORE	in (mm)	2.7 (68)	
STROKE	in (mm)	2.1 (54)	
PEAK TORQUE	@ rpm ft lb (Nm)	10.5 (14.2) @ 3000 rpm	10.7 (14.5) @ 3000 rpm
COMPRESSION RATIO		8.5:1	
DRY WEIGHT	lb (kg)	28.8 (13)	
OIL CAPACITY	U.S. qt (L)	0.6 (.6)	
FUEL CAPACITY	U.S. qt (L)	2 (2.1)	
LUBRICATION		Splash	
DIMENSIONS [†] L x W x H	in (mm)	9.8 x 14.0 x 13.0 (249 x 356 x 330)	
CRANKSHAFT HEIGHT	in (mm)	4.2 (106)	

*Horsepower ratings exceed Society of Automotive Engineers Small Engine Test Code J1940. Actual engine horsepower is lower and affected by, but not limited to, accessories (air cleaner, exhaust, charging, cooling, fuel pump, etc.), application, engine speed and ambient operating conditions (temperature, humidity and altitude). For more information, contact Kohler Co. Engine Engineering. Kohler reserves the right to change product specifications, designs and equipment without notice and without incurring obligation.

[†]Engine measurements based on a base engine without electric start. Length is recoil starter to PTO face.

STANDARD FEATURES

OHV slant-cylinder	Mechanical governor	Silenced air intake
Electronic ignition	Sound-deadening alloy crankcase	Easy-pull recoil starter
Quiet muffler with heat shield	Carburetor bowl drain	EMC/RFI-compliant
CARB Tier-3-compliant	Ductile iron fillet-rolled crankshaft	Accu-Fill® fuel tank
All-in-one throttle, choke and shutoff control lever	High-inertia flywheel	2-year limited consumer warranty
Automatic compression release		

POPULAR FACTORY OPTIONS

12-volt starter	Crankshaft/PTO variations (keyed, tapered, threaded)	Dual oil fill
Exhaust deflector	Low-profile air cleaner and muffler (generator)	Dual-element air cleaner
Spark arrestor		
3- and 10-amp charging systems	Paper element air cleaner	

KOHLER[®]
IN POWER. SINCE 1920.

For more information, contact your KOHLER source of supply.
Or call toll-free in the U.S. and Canada 800-544-2444.

KohlerEngines.com

PRINTED IN U.S.A E-2213-E 10/16 © 2016 KOHLER CO.