



## SM100 Utility Track Loader

Do More with Less

In addition to its compact design, the SM100 is comfortable for operators with ergonomic joysticks and reference handles, plush padding, and wide spring-suspension platform for added stability. The strong lift capacity and high hinge pin of the SM100 height allows for easy loading into high sided trucks and dumpsters. The heavy duty undercarriage construction and fast travel speeds means you can do more with less.

### Highlights

- Compact Design
- Industry Leading Safety Features
- All Day Comfort

### Technical Data

#### Hydraulic

Flow rate	49.0 l/min
Auxiliary relief pressure	210.0 bar

#### Mechanical - Output Details

Ground Pressure (standard track)	0.2 bar
Travel speed	8.4 km/h

#### Mechanical Details

Overall Length without bucket	2,141.0 mm
Overall Length with Bucket	2,742.0 mm
Overall width without bucket	902.0 mm
Height	1,478.0 mm
Bucket Hinge Pin Height	2,176.0 mm
Bucket roll back at ground	25.0 λ
Bucket roll back at maximum height	92.0 λ
Angle of departure	25.0 λ
Bucket dump height at maximum height	1,595.0 mm
Bucket dump angle at maximum height	42.0 λ
Operating weight	1,497.0 kg

Track width	230.0 mm
Ground clearance	198.0 mm
Length of Track on Ground	1,093.0 mm
Dump reach at maximum height	557.0 mm

#### Engine

Cooling	Water-cooling
Cylinder	3.0
Cylinder capacity	1,266.0 cm <sup>3</sup>
Operating power	18.4 KW
Operating Engine speed	2,600.0 kg/m <sup>2</sup> s
Manufacturer	Yanmar
Engine designation	3TNV80 FT

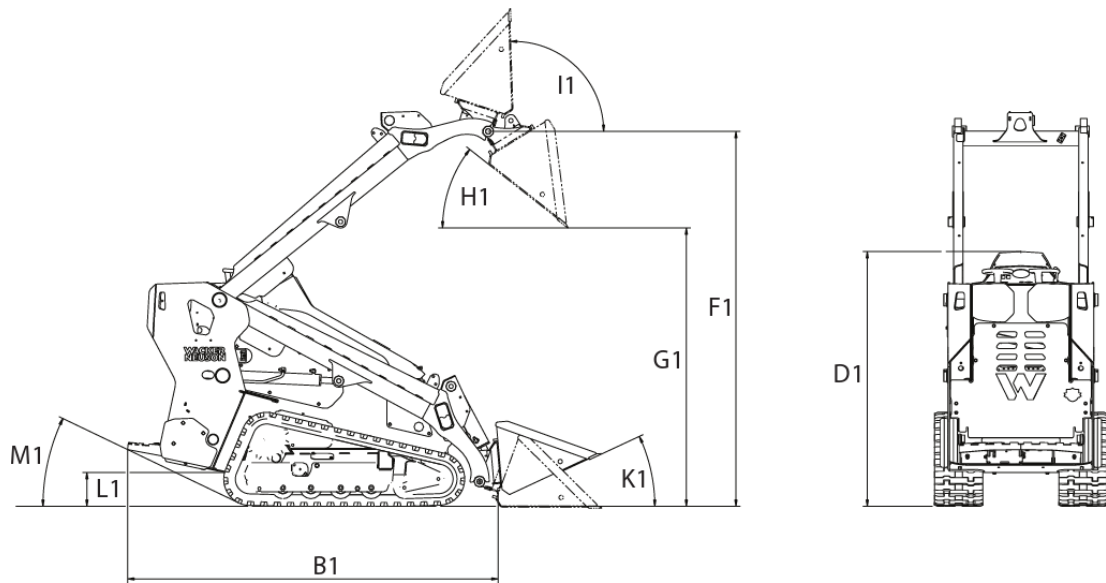
#### Operating Fluids

Fuel Tank capacity	64.0 l
--------------------	--------

#### Chassis

Tip Load	1,295.0 kg
Rated Operating Capacity at 50% Tip Load	647.0 kg
Rated Operating Capacity at 35% Tip Load	453.0 kg

## Dimensions



A1	Overall length with bucket	2,741 mm
B1	Overall length without bucket	2,152 mm
D1	Overall height	1,477 mm
F1	Hinge pin height	2,175 mm
G1	Dump height max.	1,594 mm
K1	Bucket rollback at ground level	25 °
I1	Bucket rollback at max. stroke height	92 °
H1	Dump angle	42 °
L1	Ground clearance	198 mm
M1	Angle of departure	25.6 °