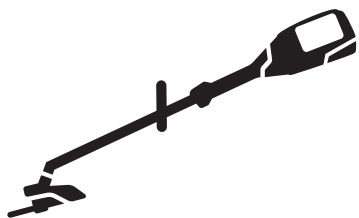




Husqvarna®



330iKL

EN	Operator's manual
ES-MX	Manual del usuario
FR-CA	Manuel d'utilisation

2-24
25-49
50-75

Contents

Introduction.....	2	Troubleshooting.....	20
Safety.....	4	Transportation, storage and disposal.....	22
Assembly.....	13	Technical data.....	23
Operation.....	14	Accessories.....	24
Maintenance.....	17		

Introduction

Product description

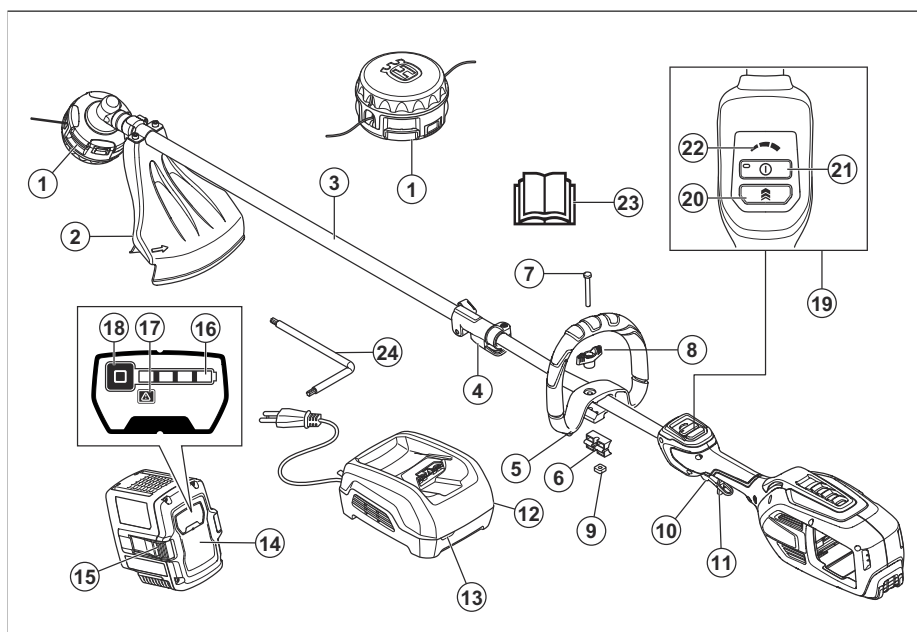
Husqvarna 330iKL is a battery grass trimmer with an electrical motor.

Note: National regulations can set limit to the operation of the product.

Intended use

The product is used with a trimmer head to cut grass. Do not use the product for other tasks than grass trimming and grass clearing.

Product overview



- | | |
|-----------------------------|--|
| 1. Trimmer head | 8. Knob |
| 2. Cutting attachment guard | 9. Nut |
| 3. Shaft | 10. Power trigger |
| 4. Shaft coupling | 11. Power trigger lockout |
| 5. Loop handle | 12. Battery charger (included in the kit only) |
| 6. Spacer | 13. Power on and warning indicator (error LED) |
| 7. Screw | |

- 14. Battery (included in the kit only)
- 15. Battery release buttons
- 16. Battery status
- 17. Warning indicator (error LED)
- 18. Battery indicator button
- 19. Keypad
- 20. Speed mode button
- 21. Power button
- 22. Speed mode display
- 23. Operator's manual
- 24. Star wrench

Symbols on the product



WARNING! Be careful and use the product correctly. This product can cause serious injury or death to the operator or others.



Read the operator's manual carefully and make sure that you understand the instructions before you use this product.



Use approved protective gloves.



Use heavy-duty slip-resistant boots.



Always wear approved hearing protection and protective goggles or a visor. A breathing mask should be used when there is a risk of dust.



Keep hair above shoulders.



Only use an approved trimmer head, spool and recommended trimmer line. Do not use blades.



The product can cause objects to eject, which can cause injury.



Maximum speed of the output shaft.



Keep a minimum of 50 ft / 15 m distance to persons and animals during operation of the product.



Disconnect battery before maintenance.



Keep the product away from water and rain.



The product or package of the product is not domestic waste. Recycle it at a recycling station for electrical and electronic equipment.

yywwxxxxxx

The rating plate shows the serial number. **yy** is the production year, **ww** is the production week and **xxxxxx** is the sequential number.

Symbols on the battery charger



Be careful and use the product correctly. This product can cause serious injury or death to the operator or others.



Read the operator's manual carefully and make sure that you understand the instructions before you use this product.




Keep the product away from water and rain.



Use and keep the battery charger indoors only.

Note: Other symbols/decals on the product refer to certification requirements for some commercial areas.

 WARNING
This product contains or emits a chemical known to the State of California to cause cancer or birth defects or other reproductive harm.

Manufacturer

Husqvarna Professional Products, Inc 9335
Harris Corners Pkwy, Charlotte, NC 28269,
USA

Product damage

We are not responsible for damages to our product if:

- the product is incorrectly repaired.
- the product is repaired with parts that are not from the manufacturer or not approved by the manufacturer.
- the product has an accessory that is not from the manufacturer or not approved by the manufacturer.
- the product is not repaired at an approved service center or by an approved authority.

Safety

Safety definitions

Warnings, cautions and notes are used to point out specially important parts of the manual.



WARNING: Used if there is a risk of injury or death for the operator or bystanders if the instructions in the manual are not obeyed.



CAUTION: Used if there is a risk of damage to the product, other materials or the adjacent area if the instructions in the manual are not obeyed.

Note: Used to give more information that is necessary in a given situation.

IMPORTANT SAFETY INSTRUCTIONS



WARNING: Read all safety warnings and all instructions. Failure to follow the warnings and instructions may result in electric shock, fire and/or serious injury.

Read all instructions



WARNING: When using gardening products, basic safety precautions should always be followed to reduce the risk of fire, electric shock, and personal injury, including the following:

General power tool safety warnings



WARNING: Read all safety warnings, instructions, illustrations and specifications provided with this power tool. Failure to follow all instructions listed below may result in electric shock, fire and/or serious injury.

- **Save all warnings and instructions for future reference.** The term "power tool" in the warnings refers to your mains-operated (corded) power tool or battery-operated (cordless) power tool.

Work area safety

- **Keep work area clean and well lit.** Cluttered or dark areas invite accidents.
- **Do not operate power tools in explosive atmospheres, such as in the presence of flammable liquids, gases or dust.** Power tools create sparks which may ignite the dust or fumes.
- **Keep children and bystanders away while operating a power tool.** Distractions can cause you to lose control.

Personal safety

- **Stay alert, monitor what you are doing and use common sense when operating a power tool. Do not use a power tool while you are tired or under the influence of drugs, alcohol or medication.** A moment of inattention while operating power tools may result in serious personal injury.
- **Use personal protective equipment. Always wear eye protection.** Protective equipment such as dust mask, non-skid safety shoes, hard hat, or hearing protection used for appropriate conditions will reduce personal injuries.
- **Prevent unintentional starting. Ensure the switch is in the OFF-position before connecting to a power source and/or battery pack, picking up or carrying the tool.** Carrying power tools with your finger on the switch or energizing power tools that have the switch on invites accidents.
- **Remove any adjusting key or wrench before turning the power tool on.** A wrench or a key left attached to a rotating part of the power tool may result in personal injury.
- **Do not overreach. Keep proper footing and balance at all times.** This enables better control of the power tool in unexpected situations.
- **Dress properly. Do not wear loose clothing or jewelry. Keep your hair, clothing and gloves away from moving parts.** Loose clothes, jewelry or long hair can be caught in moving parts.
- **If devices are provided for the connection of dust extraction and collection facilities, ensure these are connected and properly used.** Use of dust collection can reduce dust-related hazards.
- **Do not let familiarity gained from frequent use of tools allow you to become complacent and ignore tool safety principles.** A careless action can cause severe injury within a fraction of a second
- The vibration emission during actual use of the power tool can differ from the declared total value depending on the ways in which the tool is used. Operators should identify safety measures to protect themselves that are based on an estimation of exposure in the actual conditions of use (taking account of all parts of the operating cycle such as the times when the tool is

switched off and when it is running idle in addition to the trigger).

Power tool use and care

- **Do not force the power tool. Use the correct power tool for your application.** The correct power tool will do the job better and safer at the rate for which it was designed.
- **Do not use the power tool if the switch does not turn it on and off.** Any power tool that cannot be controlled with the switch is dangerous and must be repaired.
- **Disconnect the plug from the power source and/or remove the battery pack, if detachable, from the power tool before making any adjustments, changing accessories, or storing power tools.** Such preventive safety measures reduce the risk of starting the power tool accidentally.
- **Store idle power tools out of the reach of children and do not allow persons unfamiliar with the power tool or these instructions to operate the power tool.** Power tools are dangerous in the hands of untrained users.
- **Maintain power tools and accessories. Check for misalignment or binding of moving parts, breakage of parts and any other condition that may affect the power tool's operation. If damaged, have the power tool repaired before use.** Many accidents are caused by poorly maintained power tools.
- **Keep cutting tools sharp and clean.** Properly maintained cutting tools with sharp cutting edges are less likely to bind and are easier to control.
- **Use the power tool, accessories and tool bits etc. in accordance with these instructions, taking into account the working conditions and the work to be performed.** Use of the power tool for operations different from those intended could result in a hazardous situation.
- **Keep handles and grasping surfaces dry, clean and free from oil and grease.** Slippery handles and grasping surfaces do not allow for safe handling and control of the tool in unexpected situations.

Battery tool use and care

- **Recharge only with the charger specified by the manufacturer.** A charger that is suitable for one type of battery pack may

create a risk of fire when used with another battery pack.

- **Use power tools only with specifically designated battery packs.** Use of any other battery packs may create a risk of injury and fire.
- **When battery pack is not in use, keep it away from other metal objects, like paper clips, coins, keys, nails, screws or other small metal objects, that can make a connection from one terminal to another.** Shorting the battery terminals together may cause burns or a fire.
- **Under abusive conditions, liquid may be ejected from the battery; avoid contact. If contact accidentally occurs, flush with water. If liquid contacts eyes, additionally seek medical help.** Liquid ejected from the battery may cause irritations or burns.
- **Do not use a battery pack or tool that is damaged or modified.** Damaged or modified batteries may exhibit unpredictable behaviour resulting in fire, explosion or risk of injury.
- **Do not expose a battery pack or tool to fire or excessive temperature.** Exposure to fire or temperature above 265°F/130°C may cause explosion.
- **Follow all charging instructions and do not charge the battery pack or tool outside the temperature range specified in the instructions.** Charging improperly or at temperatures outside the specified range may damage the battery and increase the risk of fire.

Service

- **Have your power tool serviced by a qualified repair person using only identical replacement parts.** This will ensure that the safety of the power tool is maintained.
- **Never service damaged battery packs.** Service of battery packs should only be performed by the manufacturer or authorized service providers.

Lawn trimmer and lawn edge trimmer safety warnings

- **Do not use the machine in bad weather conditions, especially when there is a risk of lightning.** This decreases the risk of being struck by lightning.
- **Thoroughly inspect the area for wildlife where the machine is to be used.** Wildlife

may be injured by the machine during operation.

- **Thoroughly inspect the area where the machine is to be used and remove all stones, sticks, wires, bones, and other foreign objects.** Thrown objects can cause personal injury.
- **Before using the machine, always visually inspect to see that the cutter and the cutter assembly are not damaged.** Damaged parts increase the risk of injury.
- **Before use, check the supply cord and any extension cord for signs of damage or aging. Do not use the machine if the cord is damaged or worn. If the cord is damaged or worn during use, switch off the machine and do not touch the cord before disconnecting it from the supply.** A damaged supply cord or extension cord may result in electric shock, fire and/or serious injury.
- **Keep guards in place. Guards must be in working order and be properly mounted.** A guard that is loose, damaged, or is not functioning correctly may result in personal injury.
- **Keep all cooling air inlets clear of debris.** Blocked air inlets and debris may result in overheating or risk of fire.
- **Wear eye protection and ear protection.** Adequate protective equipment will reduce personal injury.
- **While operating the machine, always wear non-slip and protective footwear. Do not operate the machine when barefoot or wearing open sandals.** This reduces the chance of injury to the feet from contact with the moving cutter.
- **Always wear clothing such as trousers that covers the operator's legs while operating the machine.** Contact with the moving cutter or line may cause injury.
- **Keep bystanders away while operating the machine.** Thrown debris can result in serious personal injury.
- **Do not operate the machine above waist height.** This helps prevent unintended cutter contact and enables better control of the machine in unexpected situations.
- **Exercise caution when operating the machine in wet grass. Walk, never run.** This reduces the risk of slipping and falling which may result in personal injury.

- **Do not operate the machine on excessively steep slopes.** This reduces the risk of loss of control, slipping and falling which may result in personal injury.
- **When working on slopes, always be sure of your footing, always work across the face of slopes, never up or down and exercise extreme caution when changing direction.** This reduces the risk of loss of control, slipping and falling which may result in personal injury.
- **Keep all power cords and cables away from cutting area.** Power cords or cables may be hidden in hedges or bushes and can be accidentally cut or damaged by the line or cutter.
- **Keep all parts of the body away from the moving trimmer cutter or line. Do not clear material from the machine until it has been disconnected from the power source.** The moving trimmer cutter or line may result in serious personal injury.
- **Carry the machine with the machine switched off and away from your body.** Proper handling of the machine will reduce the likelihood of accidental contact with a moving trimmer cutter or line.
- **Only use replacement cutting heads and trimmer cutters or lines specified by the manufacturer. Do not replace the trimmer cutters or lines with metal wires or blades.** Incorrect replacement parts may cause loss of control, breakage and injury.

Always use common sense

It is not possible to cover every conceivable situation you can face. Always exercise care and use your common sense. Avoid all situations which you consider to be beyond your capability. If you still feel uncertain about operating procedures after reading these instructions, you should consult an expert before continuing.



WARNING: Never allow children to use or be in the vicinity of the machine. Since the machine is easy to start, children may be able to start it if they are not kept under full supervision. This can mean a risk of serious personal injury. Therefore disconnect the battery when the machine is not under close supervision.

General safety instructions



WARNING: Read the warning instructions that follow before you use the product.

- Remove the battery to prevent the product from being started by accident.
- This product is a dangerous tool if you are not careful or if you use the product incorrectly. This product can cause serious injury or death to the operator or others.
- Do not use the product if it is changed from its initial specification. Do not change a part of the product without approval from the manufacturer. Only use parts that are approved by the manufacturer. Injury or death is a possible result of incorrect maintenance.
- Do a check of the product before use. Refer to *Safety devices on the product on page 10* and *Maintenance on page 17*. Do not use a product that is damaged or does not operate correctly. Do the safety checks, maintenance and service instructions described in this manual.
- Children should be supervised to ensure that they do not play with the product. Never allow children or other persons not trained in the use of the product and/or the battery to use or service it. Local laws may regulate the age of the user.
- Keep the product in a locked area to prevent access for children or persons that are not approved.
- Store the product out of reach of children.
- Your warranty may not cover damage or liability caused by the use of non-authorized accessories or replacement parts.
- Under no circumstances may the design of the product be modified without the permission of the manufacturer. Always use original accessories. Non-authorized modifications and/or accessories can result in serious personal injury or the death of the operator and others.

Note: National or Local laws can regulate the use. Comply to given regulations.

Safety instructions for operation



WARNING: Read the warning instructions that follow before you use the product.

- If you encounter a situation where you are uncertain how to proceed you should ask an expert. Contact your dealer or your service workshop. Avoid all usage which you consider to be beyond your capability.
- Never use the product if you are fatigued, while under the influence of alcohol or drugs, medication or anything that could affect your vision, alertness, coordination or judgment.
- Faulty cutting attachment can increase the risk of accidents.
- Do not allow children to use or be in the vicinity of the product. Since the product is easy to start, children may be able to start it if they are not kept under full supervision. This can mean a risk of serious personal injury. Disconnect the battery when the product is not under close supervision.
- Ensure that no people or animals come closer than 50 ft (15 m) while you work. When several operators are working in the same area the safety distance should be at least 50 ft (15 m). Otherwise there is a risk of serious personal injury. Stop the product immediately if anyone approaches. Never swing the product around without first checking behind you to make sure that no one is within the safety zone.
- Ensure that people, animals or other things can not affect your control of the product or that they do not come in contact with the cutting attachment or loose objects that are thrown out by the cutting attachment. However, do not use the product unless you are able to call for help in the event of an accident.
- Always inspect the working area. Remove all loose objects such as stones, broken glass, nails, steel wire, string, etc., that could be thrown out or become wrapped around the cutting attachment.
- Make sure that you can move and stand safely. Check the area around you for possible obstacles (roots, rocks, branches, ditches, etcetera) in case you have to move suddenly. Take great care when you work on sloping ground.
- Keep a good balance and a firm foothold at all times. Do not overreach.
- Deactivate the product before you move to another area.
- Never put the product down unless you have deactivated it and removed the battery. Do not leave the product unsupervised when it is switched on.
- Remove the battery before you pass the product to another person.
- Make sure that no clothes or parts of the body come in contact with the cutting attachment when the product is activated. Keep the product below waist level.
- If anything jams in the cutting attachment while you operate the product, stop and deactivate the product. Make sure that the cutting attachment stops completely. Remove the battery before you clean, inspect or repair the product and/or the cutting equipment. There is a risk of burns as the gear housing can become very hot. Use gloves when working with the trimmer head.
- Keep your hands and feet away from the cutting attachment until it has stopped completely when the product is deactivated.
- Watch out for stumps of branches that can be thrown out when you cut. Do not cut too close to the ground where stones and other objects can be thrown out.
- Watch out for thrown objects. Always wear approved eye protection. Never lean over the cutting attachment guard. Stones, rubbish, etc., can be thrown up into the eyes which can cause blindness or serious injury.
- Listen out for warning signals or shouts when you wear hearing protection. Always remove your hearing protection as soon as the product stops.
- Never work from a ladder, stool or any other raised position that is not fully secured.
- If any unwanted vibrations occur, tap out new line to give the line the correct length to stop the vibrations.
- Overexposure to vibration can lead to circulatory damage or nerve damage in persons who have poor circulation. Speak to your physician if you experience symptoms of overexposure to vibration. Such symptoms include numbness, loss

of feeling, tingling, pricking, pain, loss of strength, changes in skin color or condition. These symptoms usually show in the fingers, hands or wrists.

- Always hold the product with both hands. Hold the product on the right side of your body.
- Do not remove the cut material, or let other persons remove cut material, while the product is on or the cutting equipment rotates, as this can result in serious injury.
- Always stop the product, remove the battery and make sure that the cutting equipment does not rotate before you remove unwanted material that is wound around the shaft or caught between the guard and the cutting attachment.
- This product produces an electromagnetic field during operation. This field may under some circumstances interfere with active or passive medical implants. To reduce the risk of serious or fatal injury, we recommend persons with medical implants to consult their physician and the medical implant manufacturer before operating this machine.
- Release the power trigger after each working operation to save battery power.
- Don't force the product. It will do the job better and with less likelihood of a risk of injury at the rate for which it was designed.
- If any foreign object is hit or if vibrations occur stop the product immediately. Remove the battery from the product and check that the product is not damaged.

Personal protective equipment



WARNING: Read the warning instructions that follow before you use the product.

- Always use approved personal protective equipment when you use the product. Personal protective equipment cannot fully prevent injury but it decreases the degree of injury if an accident does occur. Let your dealer help you select the right equipment.
- Use a protective helmet where there is a risk of falling objects.
- Long term exposure to noise can result in damaged hearing. In general, battery powered products are relatively quiet but damage can result from a combination of noise level and long usage. Husqvarna

recommends that operators use hearing protectors when using products for a longer coherent time of a day. Continual and regular users should have their hearing checked regularly.



WARNING: Hearing protectors limit the ability to hear sounds and warning signals.

- Use approved eye protection. If you use a visor, you must also use approved protective goggles. Approved protective goggles must comply with the ANSI Z87.1 standard in the USA or EN 166 in EU countries.
- Use a visor for face protection. A visor is not enough for protection of the eyes.



- Use gloves when necessary, for example when you attach, examine or clean the cutting equipment.
- Use sturdy non-slip boots or shoes.
- Use clothing made of a strong fabric. Always use heavy, long pants and long sleeves. Do not use loose clothing that can catch on twigs and branches. Do not wear jewelry, short pants, sandals or go with bare feet. Put your hair up safely above shoulder level.



- Keep first aid equipment close at hand.



Cutting attachment



WARNING: Remove the battery and make sure the cutting attachment stops completely before

you work on any part of the cutting attachment.



WARNING: Only use the cutting attachment with the guards we recommend, see *Accessories on page 24*.

Trimmer head

- Always use the correct trimmer head, cutting attachments and always use the recommended trimmer line. Refer to *Accessories on page 24* and the assembly in the end of the Manual.
- Make sure that the cutter on the trimmer guard is not damaged.
- Make sure that the trimmer line is wound tightly and equally around the drum to prevent unusual vibrations from the product. Different cord lengths can result in vibrations that are not necessary. Tap the trimmer head to get correct length on the cord.

Safety devices on the product



WARNING: Read the warning instructions that follow before you use the product.

In this section the product's safety features, its purpose and how checks and maintenance should be carried out to ensure that it operates correctly. See instructions under the heading *Product overview on page 2* to find where these parts are located on your product.

The life span of the product can be reduced and the risk of accidents can increase if product maintenance is not carried out correctly and if service and/or repairs are not carried out professionally. If you need further information please contact your nearest servicing dealer.



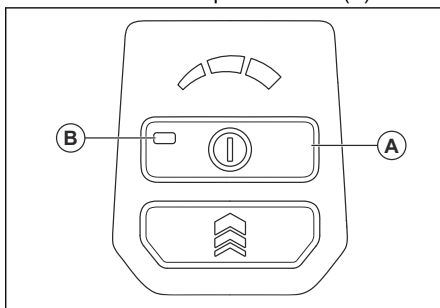
WARNING: Never use a product with damaged safety components. The product's safety equipment must be inspected and maintained as described in this section. If your product fails any of these checks, contact your service agent to get it repaired.



CAUTION: All servicing and repair work on the machine requires special training. This is especially true of the machine's safety equipment. If your machine fails any of the checks described below you must contact your service agent. When you buy any of our products we guarantee the availability of professional repairs and service. If the retailer who sells your machine is not a servicing dealer, ask for the address of your nearest service agent.

To do a check of the keypad

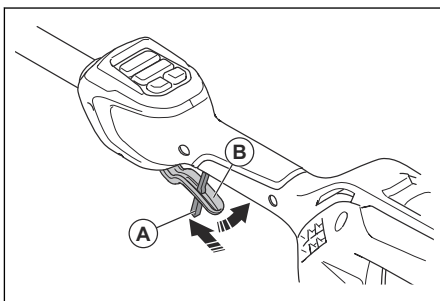
- Push and hold the power button (A).



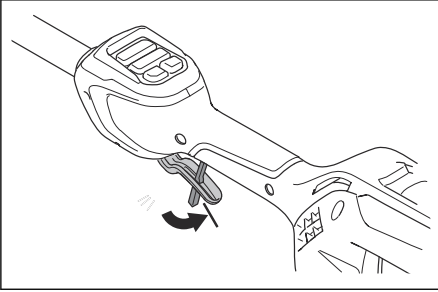
- a) The product is on when the LED (B) is on.
- b) The product is off when the LED (B) is off.

To do a check of the power trigger lockout

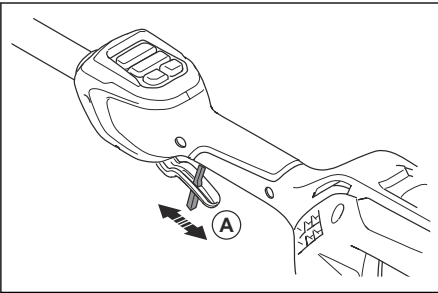
The power trigger lockout prevents accidental start. When you push the power trigger lockout (A) forward, it releases the power trigger (B). When you release the handle, the power trigger and the power trigger lockout move back to their initial positions.



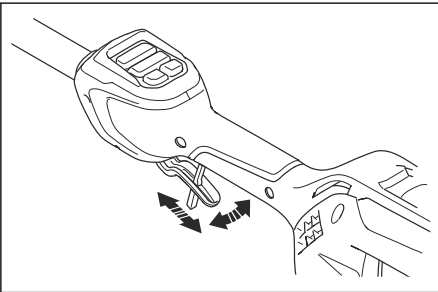
1. Make sure that the power trigger is locked when the power trigger lockout is in its initial position.



2. Push the power trigger lockout (A) forward. Make sure that it moves back to its initial position when you release it.



3. Make sure that the power trigger and the power trigger lockout moves freely and that the return spring works correctly.



4. Start the product. Refer to *To start the product on page 15*.
5. Apply full power.
6. Release the power trigger lockout and make sure that the cutting attachment stops fully.

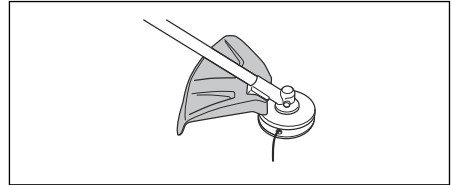
To do a check of the cutting attachment guard



WARNING: Do not use a cutting attachment without an approved and correctly attached cutting attachment guard. Always use the recommended cutting attachment guard for the cutting attachment that you use, see *Accessories on page 24*. If an incorrect or faulty cutting attachment guard is attached this can cause serious personal injury.

The cutting attachment guard stops objects that ejects in the direction of the operator. It also prevents injuries that occur if you touch the cutting attachment.

1. Stop the motor.
2. Do a visual check for damages, for example cracks.



3. Replace the cutting attachment guard if it is damaged.

Battery safety



WARNING: Read the warning instructions that follow before you use the product.

- Only use an approved Husqvarna rechargeable battery. Refer to *Technical data on page 23*. The battery is software encrypted.
- Use the Husqvarna battery that is rechargeable as a power supply for the related Husqvarna products only. To prevent injury, do not use the battery as a power supply for other devices.
- Risk of electrical shock. Do not connect the battery terminals to keys, coins, screws or other metal. This can cause a short circuit of the battery.
- Do not use non-rechargeable batteries.
- Do not put objects into the air slots of the battery.

- Keep the battery away from sunlight, heat or open flame. The battery can cause burns and/or chemical burns.
- Keep the battery away from microwaves and high pressure.
- Do not try to disassemble or break the battery.
- If the battery leaks, do not let the liquid touch your body or eyes. If you have touched the liquid, clean the area with a large quantity of water and soap, and get medical aid. If you get liquid in your eyes, do not rub but flush with water for a minimum of 15 minutes and get medical aid.
- Use the battery in temperatures between 14°F (-10°C) and 104°F (40°C).
- Do not clean the battery or the battery charger with water. Refer to *To clean the product, the battery and the battery charger on page 18*.
- Do not use a damaged battery.
- Keep batteries in storage away from metal objects such as nails, screws or jewelry.
- Keep the battery away from children.
- Only charge the battery indoors in a location with good airflow and away from sunlight. Do not charge the battery outdoors. Do not charge the battery in wet conditions.
- Only use the battery charger where the temperature is between 41°F (5°C) and 104°F (40°C). Use the charger in an environment which has a good airflow, dry and free from dust.
- Do not put objects into the cooling slots of the battery charger.
- Do not connect the battery charger terminals to metal objects as this can short circuit the battery charger.
- Use approved mains sockets that are not damaged. Make sure that the cord of the battery charger is not damaged. If extension cables are used, make sure that the extension cables are not damaged.
- Use a residual-current device (RCD) for increased security. A residual-current device is fitted to protect operators in case an electrical fault should occur.
- Use approved wall sockets that are not damaged.

Battery charger safety



WARNING: Read the warning instructions that follow before you use the product.

- Risk of electrical shock or short circuit if the safety instructions are not obeyed.
- Use an approved grounded mains socket that is not damaged.
- Only use Husqvarna branded chargers.
- Do not try to disassemble the battery charger.
- Do not lift the battery charger by the power cord. To disconnect the battery charger from a mains socket, pull out the plug. Do not pull the power cord.
- Keep all cables and extension leads away from water, oil and sharp edges. Make sure that the cable is not caught between objects, for example, doors, fences or equivalent.
- Do not use the battery charger near flammable materials or materials that can cause corrosion. Make sure that the battery charger is not covered. Pull out the plug to the battery charger if there is smoke or fire.
- Regularly examine that the power cord is not damaged. Immediately disconnect the battery charger if the power cord is damaged.
- If the power cord is damaged replace the power cord.
- Keep the battery charger away from children.
- Do not use a battery charger that is damaged or does not operate correctly.
- Do not use the battery charger when there is a risk of lightning.
- Do not operate the battery charger with wet hands.
- This appliance can be used by children aged from 8 years and above and persons with reduced physical, sensory or mental capabilities or lack of experience and knowledge if they have been given supervision or instruction concerning use of the appliance in a safe way and understand the hazards involved. Children shall not play with the appliance. Cleaning and user maintenance shall not be made by children without supervision.

Safety instructions for maintenance



WARNING: Read the warning instructions that follow before you do maintenance on the product.

- Remove the battery before you do maintenance, other checks or assemble the product.
- The operator must only do the maintenance and servicing shown in this operator's manual. Turn to your servicing dealer for maintenance and servicing of a larger extension.
- Do not clean the battery or the battery charger with water. Strong detergent can cause damage to the plastic.
- If you do not do maintenance, it decreases the life cycle of the product and increases the risk of accidents.

- Special training is necessary for all servicing and repair work, especially for the safety devices on the product. If not all checks in this operator's manual are approved after you have done maintenance, turn to your servicing dealer. We guarantee that there are professional repairs and servicing available for your product.
- Only use original spare parts.
- Maintenance, replacement, or repair of the emission control devices and system may be performed by any nonroad engine repair establishment or individual.

SAVE THESE INSTRUCTIONS

Assembly

Introduction

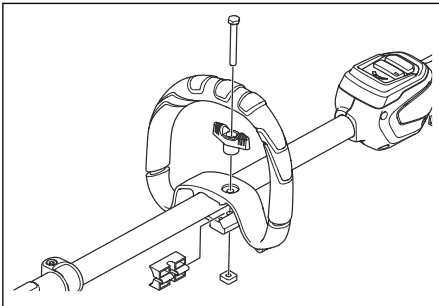
This section describes how to assemble and adjust the product.



WARNING: Before you assemble the product, read the safety chapter and the assembly instructions.

To assemble the loop handle

1. Attach the loop handle onto the shaft between the arrows.

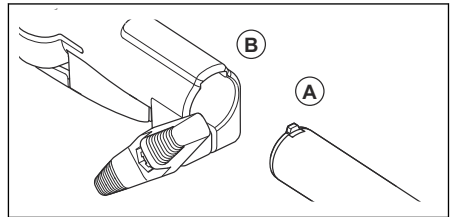


2. Move the spacer into the slot of the loop handle.
3. Install the screw and the knob. Do not tighten too much.

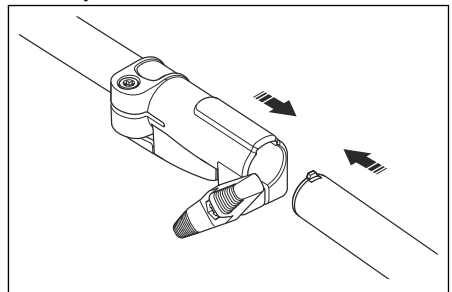
4. Adjust the loop handle to an applicable position.
5. Tighten the knob.

To assemble the two-piece shaft

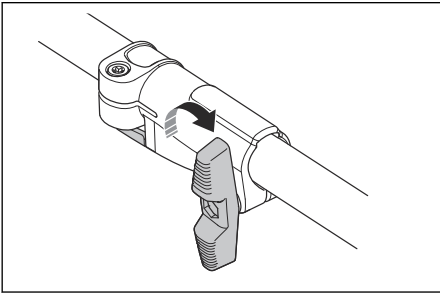
1. Turn the knob to loosen the coupling.
2. Align the tab of the cutting attachment (A) with the notch of the coupling (B).



3. Carefully push the shaft into the coupling until you hear a click.

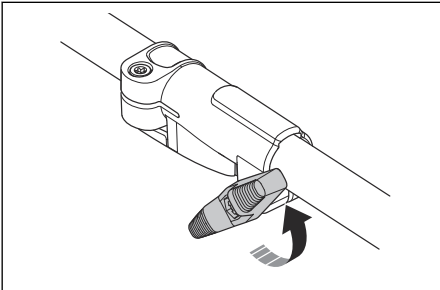


4. Tighten the knob fully.

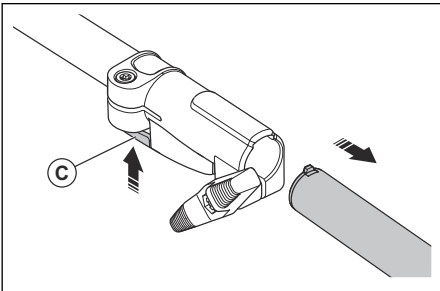


To disassemble the two-piece shaft

1. Turn the knob 3 turns or more to loosen the coupling.

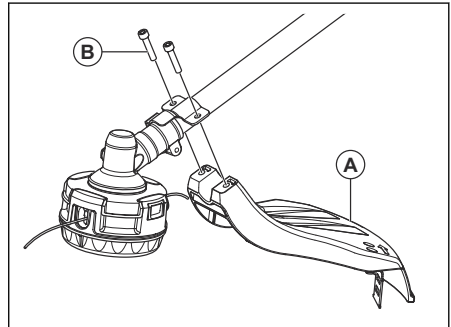


2. Push and hold the button (C).
3. Hold tight to the end of the shaft that the motor is attached to.
4. Pull the attachment straight out of the coupling.



To install the cutting attachment guard

1. Attach the correct cutting attachment guard (A) for the trimmer head. Refer to *Accessories on page 24*.
2. Put the cutting attachment guard onto the fitting on the shaft.
3. Attach the cutting attachment guard with the bolts (B).



Operation

Introduction



WARNING: Read and understand the safety chapter before you use the product.

Before you operate the product

- Examine the work area to make sure that you know the type of terrain. Examine the slope of the ground and if there are obstacles such as stones, branches and ditches.

- Do a general inspection of the product.
- Do the safety inspections, maintenance and servicing that are given in this manual.
- Examine the motor for dirt or cracks. Use a brush to clean the motor from grass and leaves. Use gloves when it is necessary.
- Examine the trimmer head and cutting attachment guard for damages or cracks. Replace the trimmer head and cutting attachment guard if they are hit or if they have cracks.
- Make sure that all nuts and screws are tight.
- Make sure that all covers, guards, handles and the cutting equipment are correctly attached and not damaged before you start the product.

To connect the battery charger



WARNING: Only use the battery charger in ambient temperatures between 41°F (5°C) and 104°F (40°C).

1. Connect the battery charger to the voltage and frequency that is specified on the rating plate.
2. Put the plug in a grounded power outlet. The LED on the battery charger flashes red 1 time and green 1 time.

To charge the battery



CAUTION: Make sure that the battery, the battery charger and the terminals on the battery are clean and dry. Do not put the battery in the battery charger if it is dirty or wet.

1. Connect the battery charger to a power outlet. The charging LED flashes red 1 time and green 1 time.



CAUTION: Only connect the battery charger to a power outlet with the voltage and frequency specified on the rating plate.

2. Connect the battery to the battery charger. The charging LED comes on.

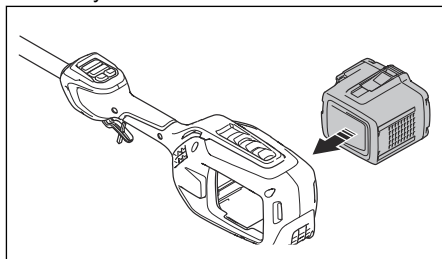
3. Remove the battery from the battery charger when it is fully charged. Push the battery indicator button for battery status. When all the LED indicators come on, the battery is fully charged.
4. Pull the power plug to disconnect the battery charger from the power outlet. Do not pull the power cord.

To connect the battery to the product



WARNING: Only use Husqvarna original batteries with the product.

1. Make sure that the battery is fully charged.
2. Push the battery into the battery holder of the product. The battery locks into position when you hear a click.



CAUTION: If the battery does not move easily into the battery holder, the battery is not installed correctly. This can cause damage to the product.

3. Make sure that the battery is installed correctly.

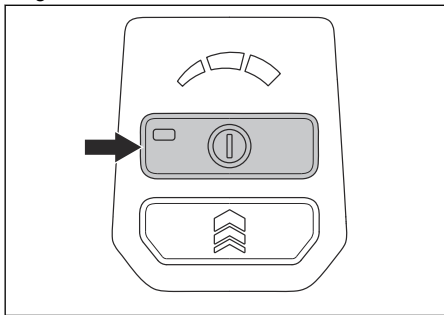
Battery information

Refer to the operator's manual of the battery for information about how to use the battery.

To start the product

1. Put the product in the start position.

2. Push and hold the power button until the green LED comes on.

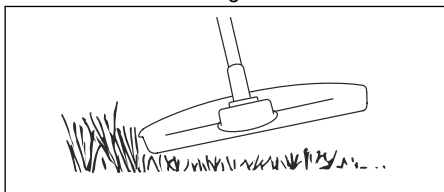


3. Use the power trigger to control the speed.

To operate the product

To trim the grass

- Hold the trimmer head immediately above the ground at an angle. Do not push the trimmer line into the grass.



To clear grass

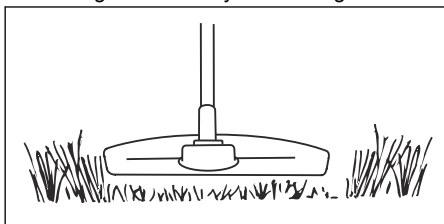
1. Keep the trimmer head above the ground.
2. Tilt the trimmer head.
3. Cut with the end of the trimmer line around objects in the work area.



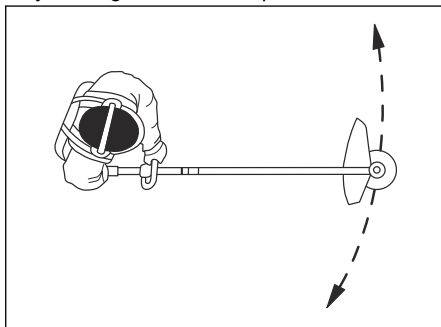
CAUTION: Cut grass. Other objects that are hit by the trimmer line, increases the wear on the trimmer line.

To cut the grass

1. Make sure that the trimmer line is parallel to the ground when you cut the grass.



2. Do not push the trimmer head to the ground. This can cause damage to the product.
3. Move the product from side to side when you cut grass. Use full speed.



To sweep the grass

The airflow from the rotating trimmer line can be used to remove cut grass from an area.

1. Hold the trimmer head and the trimmer line parallel to the ground and above the ground.
2. Apply full throttle.
3. Move the trimmer head from side to side and sweep the grass.



WARNING: Clean the trimmer head cover each time you assemble new trimmer line to prevent unbalance and vibrations in the handles. Also do a check of the other parts of the trimmer head and clean it if necessary.

Speed mode function

You can use the product in 3 speed modes.

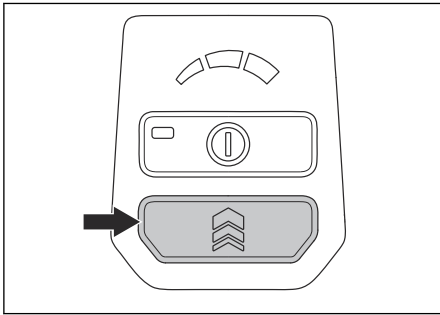
- Eco mode: On the speed mode display 1 LED comes on when you operate the product. Use the eco mode for easier tasks and to extend the battery life.
- Normal mode: On the speed mode display 2 LEDs come on when you operate the product. Normal mode is applicable for most tasks. The product is set to the normal mode when started.
- Boost mode: On the speed mode display all 3 LEDs come on when you operate the product. Use the boost mode for tasks where more force is necessary.

Note: If you release the power trigger, the product sets to the last speed mode when you start it again. If the product automatically stops, the product sets to normal mode when you start it again.

To select a speed mode

You can set necessary speed mode when you operate the product.

- Push the speed mode button until the correct speed mode is selected. The LEDs come on, refer to *Speed mode function on page 16*.



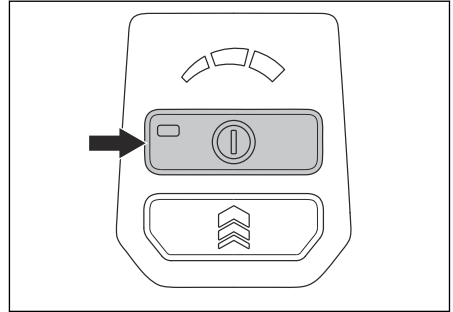
Automatic shutdown function

The product has an automatic shutdown function that stops the product if the product is not used. The green LED for start/stop

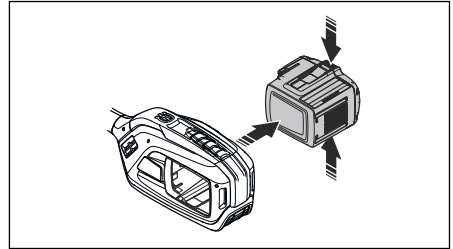
indication goes off and the product stops after 120 seconds.

To stop the product

1. Release the power trigger or the power trigger lockout.
2. Push the power button.



3. Push the release buttons on the battery and pull the battery out.



Maintenance

Introduction



WARNING: Read and understand the safety chapter before you do maintenance on the product.

Maintenance schedule



WARNING: Remove the battery before you do maintenance.

The following is a list of the maintenance steps that you must do on the product. See *Introduction on page 17* for more information.

Maintenance	Daily	Weekly	Month-ly
Clean the external parts of the product with a dry cloth. Do not use water.	X		
Examine that the power button works correctly and is not damaged.	X		
Make sure that the power trigger and the power trigger lockout function correctly from a safety point of view.	X		

Maintenance	Daily	Weekly	Monthly
Make sure that all controls work and are not damaged.	X		
Keep the handles dry, clean and free from oil and grease.	X		
Make sure that the cutting attachment is not damaged. Replace the cutting attachment if it is damaged.	X		
Make sure that the cutting attachment guard is not damaged. Replace the cutting attachment guard if it is damaged.	X		
Make sure that the screws and nuts are tight.	X		
Make sure that the battery release buttons on the battery works and locks the battery in the product.	X		
Examine that the battery charger is not damaged and function correctly.	X		
Make sure that the battery is not damaged.	X		
Make sure that the battery is charged.	X		
Make sure that the battery charger is not damaged.	X		
Examine all couplings and connections. Make sure they are not damaged and free from dirt.		X	
Do a check of the connections between the battery and the product. Do a check of the connection between the battery and the battery charger.			X

To examine the battery and the battery charger

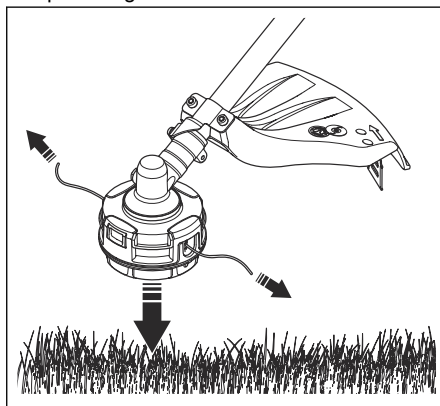
1. Examine the battery for damages, for example cracks.
2. Examine the battery charger for damages, for example cracks.
3. Make sure that the connection cord of the battery charger is not damaged and that there are no cracks in it.

To clean the product, the battery and the battery charger

1. Clean the product with a dry cloth after use.
2. Clean the battery and battery charger with a dry cloth. Keep the battery guide tracks clean.
3. Make sure that the terminals on the battery and the battery charger are clean before the battery is put in the battery charger or the product.

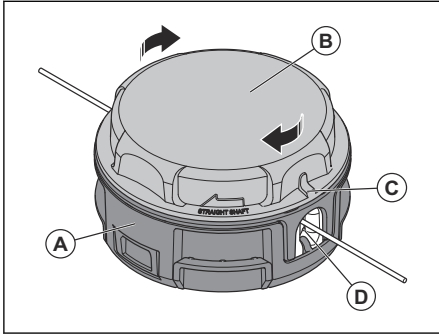
To extend the trimmer line

- When the trimmer line becomes short during operation, tap the trimmer head on a hard, flat surface to extend more trimmer line. You must operate the product at full speed to get the best result.



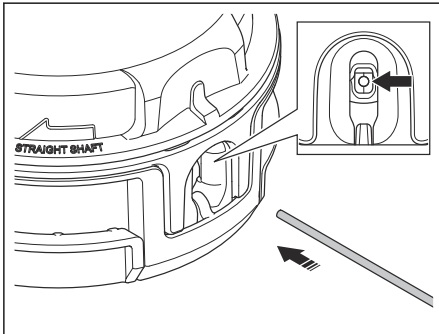
To replace the trimmer line

1. Hold the lower half (A) of the trimmer head with one hand. Turn the top half (B) of the trimmer head clockwise with your opposite hand.

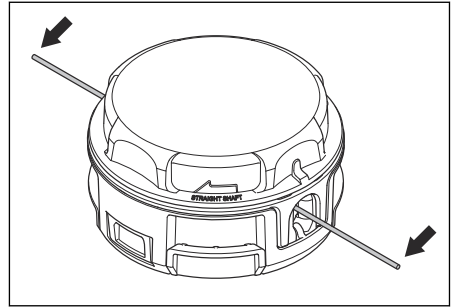


Note: When you turn the top half of the trimmer head, you will hear a click.

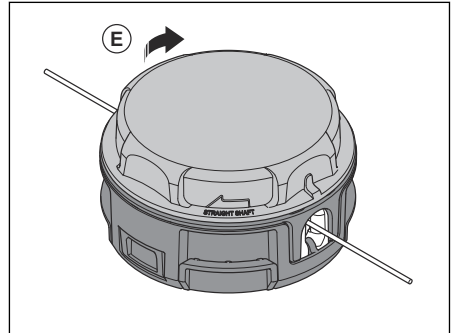
2. Continue to turn the top half of the trimmer head until the triangle (C) aligns with the hole (D).
3. Pull out and discard the remaining trimmer line.
4. Cut approximately 22 ft (6.7 m) of new trimmer line.
5. Put 1 end of the trimmer line into 1 of the holes.



6. Push the trimmer line through the trimmer head and through the opposite hole.



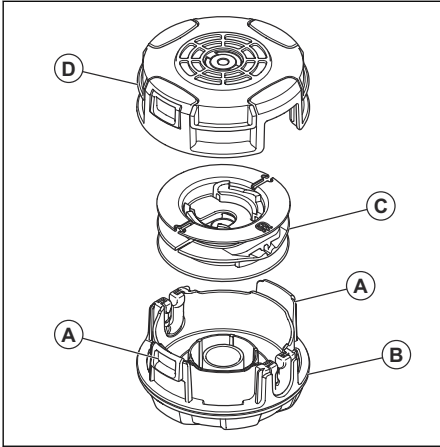
7. Pull the trimmer line through the trimmer head until there is an equal length of trimmer line on each side.
8. Hold the lower half of the trimmer head stable with one hand. Turn the top half of the trimmer head clockwise with your opposite hand.
9. Continue to turn the top half of the trimmer head until approximately 5 in. (127 mm) of the trimmer line is extended from each hole.



Note: If the trimmer line is too long on one side of the trimmer head, cut the trimmer line to the correct length.

To examine and clean the trimmer head

1. Push the tabs (A) to remove the lower half (B) of the trimmer head.

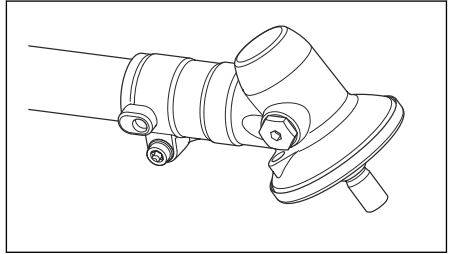


2. Remove the spool (C).
3. Remove and discard any pieces of trimmer line and any unwanted material from the trimmer head and spool.
4. Put the spool in the lower half.
5. Attach the top half (D). Make sure that all parts are in the correct position and are correctly aligned.
6. Turn the assembled trimmer head with your hand. Make sure that the top and bottom halves are fully closed and the tabs are fully engaged.
7. To replace the trimmer line see *To replace the trimmer line on page 19.*

Bevel gear

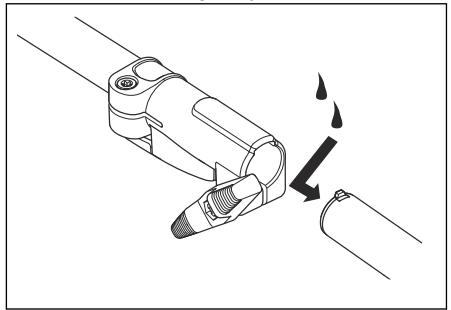
The bevel gear is filled to $\frac{3}{4}$ with grease at the factory. Before you use the product,

make sure that the grease level has not changed. Use Husqvarna special grease if it is necessary to fill up. Do not replace the grease in the bevel gear. Let servicing personnel do the repair of the bevel gear.



Two piece-shaft

Apply grease to the end of the drive shaft after each 30 hours of operation. There is a risk that the drive shaft ends (splined coupling) on models with two-piece shafts will seize if they are not lubricated regularly.



Troubleshooting

Product

Problem	Cause	Solution
Trimmer line does not extend.	Grass or unwanted material in the trimmer head.	Disassemble and clean the trimmer head.

Keypad

Power button LED flashes	Possible faults	Possible action
Continuous	Low battery power.	Charge the battery.
2 flashes	Undervoltage.	<ol style="list-style-type: none"> 1. Turn off the product. 2. Turn on the product again. 3. If the problem continues, speak to your servicing agent.
3 flashes	Bad battery.	Replace the battery.
4 flashes	Overcurrent.	<ol style="list-style-type: none"> 1. Turn off the product. 2. Turn on the product again. 3. If the problem continues, speak to your servicing agent.
5 flashes	High temperature.	Let the product cool down.
6 flashes	Rotation block fault.	<ol style="list-style-type: none"> 1. Turn off the product. 2. Turn on the product again. 3. If the problem continues, speak to your servicing agent.
9 flashes	Protection mode activated.	<ol style="list-style-type: none"> 1. Turn off the product. 2. Turn on the product again. 3. Change your work method if the protection mode turns on again.
10 flashes	Battery communication error.	<ol style="list-style-type: none"> 1. Remove the battery. 2. Clean the battery connectors with compressed air or a soft brush. 3. Install the battery again correctly.

Battery

Condition	Possible faults	Possible procedure
The battery warning LED flashes.	Temperature deviation, the battery is too cold or too hot to use.	Let the battery cool down or move it indoors to warm it up. When the battery has the correct temperature, it can be used again. Use the battery in ambient temperatures specified in <i>Technical data on page 23</i> .
	The battery is empty.	Charge the battery.
The battery warning LED comes on.	Permanent battery error.	Speak to your dealer.

Battery charger

Condition	Possible faults	Possible procedure
The charging LED is red.	Permanent battery charger error.	Speak to your dealer.
The charging LED flashes red.	Temperature deviation, the battery is too cold or too hot to use or charge.	Let the battery cool down or warm it up. When the battery has the correct temperature, it can be used or charged again. Use the battery charger in ambient temperatures specified in <i>Technical data on page 23</i> .
The charging LED flashes green.		
The charging LED flashes red.	Faulty battery.	Speak to your dealer.

Transportation, storage and disposal

Transportation and storage

- Obey approved Li-ion Dangerous Good Legislation requirements.
- Obey the special requirement on package and labels for commercial transportation, including by third parties and forwarding agents.
- Speak to a person with special training in dangerous material before you send the product. Obey all applicable national regulations.
- Use tape on open contacts when you put the battery in a package. Put the battery in the package tightly to prevent movement.
- Remove the battery for storage or transportation.
- Put the battery and the battery charger in a space that is dry and free from moisture and frost.
- Do not keep the battery in an area where static electricity can occur. Do not keep the battery in a metal box.
- Put the battery in storage where the temperature is between 41°F/5°C and 77°F/25°C and away from open sunlight.
- Put the battery charger in storage where the temperature is between 41°F/5°C and 113°F/45°C and away from open sunlight.
- Use the battery charger only when the surrounding temperature is between 41°F/5°C and 104°F/40°C.

- Charge the battery 30% to 50% before you put it in storage for long periods.
- Put the battery charger in storage in a space that is closed and dry.
- Keep the battery away from the battery charger during storage. Do not let children and other not approved persons to touch the equipment. Keep the equipment in a space that you can lock.
- Clean the product and do a full servicing before you put the product in storage for a long time.
- Use the transportation guard on the product to prevent injuries or damage on the product during transportation and storage.
- Attach the product safely during transportation.

Disposal of the battery, battery charger and product

The symbol below means that the product is not domestic waste. Recycle it at a recycling station for electrical and electronic equipment. This helps to prevent damage to the environment and to persons.

Speak to local authorities, domestic waste service or your dealer for more information.



Note: The symbol shows on the product or package of the product.

Technical data

	330iKL
Motor	
Motor type	BLDC (brushless) 36 V
Cutting width, in./mm	18/457
Weight	
Weight without battery, lb/kg	9.1/4.1
Water protection level	
All weather use	No
Temperature limits	
Ambient temperature for operation, °F/°C	14–104/-10–40
Ambient temperature for storage, °F/°C	41–77/5–25

Approved batteries for the product

Battery	BLi22	BLi30	40-B140
Type	Lithium-ion	Lithium-ion	Lithium-ion
Battery capacity, Ah	4.2	7.5	4.0
Nominal voltage, V	36	36	36
Weight, lb/kg	2.9/1.3	4.2/1.9	2.6/1.2

Approved battery chargers

Battery charger	QC250	40-C80
Input voltage, V	100-240	100-240
Frequency, Hz	50-60	50-60
Power, W	250	80

Accessories

Accessories

330iKL	
Approved accessories	Type
Trimmer head	RapidReplace™ (0.080-0.095 in./2.0-2.4 mm)

Attachments

Approved attachments	Use with
Trimmer attachment TA320	330iK
Brush cutter attachment BCA850	330iK
Reciprocator attachment RA850	330iK
Blower attachment BA101	330iK
Edger attachment ECA308	330iK
Edger attachment ECA850	330iK
Edger attachment ESA850	330iK
Hedge trimmer attachment HA322	330iK
Hedge trimmer attachment HA860	330iK
Saw attachment PA310	330iK
Clean sweep attachment SR600-2	330iK
Bristle brush attachment BR600	330iK
Dethatcher attachment DT600	330iK
Cultivator attachment CA230	330iK
Grass blade kit 535610301	330iKL

Contenido

Introducción.....	25	Solución de problemas.....	45
Seguridad.....	27	Transporte, almacenamiento y eliminación de residuos.....	47
Montaje.....	38	Datos técnicos.....	48
Funcionamiento.....	39	Accesorios.....	49
Mantenimiento.....	42		

Introducción

Descripción del producto

Husqvarna 330iKL es una recortadora de césped a batería con un motor eléctrico.

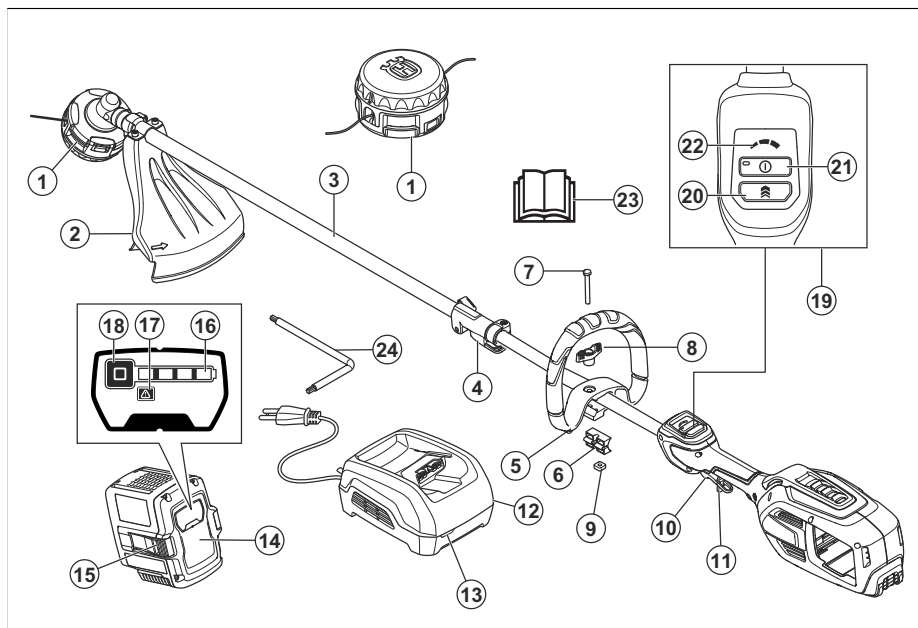
Uso específico

El producto se utiliza con un cabezal de corte para cortar césped. No utilice el producto para

otras tareas que no sean cortar y desbrozar césped.

Tenga en cuenta: Las normativas nacionales pueden establecer un límite para el funcionamiento del producto.

Descripción general del producto



1. Cabezal de corte
2. Protección del equipo de corte
3. Eje
4. Acoplamiento de eje
5. Mango cerrado
6. Separador
7. Tornillo
8. Perilla
9. Tuerca
10. Gatillo de potencia
11. Bloqueo del gatillo de alimentación
12. Cargador de batería (incluido solo en el kit)
13. Indicador de encendido y de advertencia (LED de error)
14. Batería (incluida solo en el kit)
15. Botones de liberación de la batería

- 16.Estado de la batería
- 17.Indicador de advertencia (LED de error)
- 18.Botón del indicador de batería
- 19.Teclado
- 20.Botón de modo de velocidad
- 21.Botón de encendido
- 22.Pantalla de modo de velocidad
- 23.Manual del usuario
- 24.Llave de estrella

Símbolos en el producto



ADVERTENCIA: Tenga cuidado y utilice el producto correctamente. Este producto puede causar daños graves o fatales al operador o a otras personas.



Lea atentamente el manual de instrucciones y asegúrese de que entiende las instrucciones antes de usar este producto.



Use guantes protectores homologados.



Use botas antideslizantes de servicio pesado.



Use siempre protectores auriculares aprobados y gafas protectoras o un visor. Se debe utilizar una máscara respiratoria cuando exista riesgo de polvo.



Mantenga el cabello por encima de los hombros.



Utilice solo un cabezal de corte y un carrete aprobados, así como un hilo de recortadora recomendado. No utilice cuchillas.



El producto puede provocar que los objetos salgan expulsados, lo que puede causar lesiones.



Régimen máximo del eje de salida.



Manténgase a un mínimo de 50 ft / 15 m de distancia de las personas y los animales mientras el producto esté funcionando.



Desconecte la batería antes de realizar el mantenimiento.



Mantenga el producto alejado del agua y de la lluvia.



El producto o paquete del producto no es residuo doméstico. Recíclalo en una planta de reciclaje para equipo eléctrico y electrónico.

yywwxxxxx

En la placa de características, se muestra el número de serie. **yy** es el año de producción, **ww** es la semana de producción y **xxxxxx** es el número de secuencia.

Símbolos en el cargador de la batería



Tenga cuidado y utilice el producto correctamente. Este producto puede causar daños graves o fatales al operador o a otras personas.



Lea atentamente el manual de instrucciones y asegúrese de que entiende las instrucciones antes de usar este producto.



Mantenga el producto alejado del agua y de la lluvia.



Use y mantenga el cargador de batería únicamente en interiores.

Tenga en cuenta: Otros símbolos o etiquetas del producto hacen referencia a requisitos de certificación de algunas zonas comerciales.

 **¡ADVERTENCIA!**

Este producto contiene o emite productos químicos que pueden causar cáncer, defectos congénitos u otros daños en el sistema reproductor.

No somos responsables de los daños a nuestro producto en los siguientes casos:

- el producto se repara incorrectamente
- el producto se repara con piezas que no son del fabricante o que este no autoriza
- el producto tiene un accesorio que no es del fabricante o que este no autoriza
- el producto no se repara en un centro de servicio autorizado o por una autoridad aprobada.

Fabricante

Husqvarna Professional Products, Inc 9335
Harris Corners Pkwy, Charlotte, NC 28269,
USA

Seguridad

Definiciones de seguridad

Las advertencias, precauciones y notas se utilizan para señalar las piezas particularmente importantes del manual.



ADVERTENCIA: Se utilizan para señalar el riesgo de lesiones graves o mortales para el operador o para aquellos que se encuentren cerca si no se siguen las instrucciones del manual.



AVISO: Se utilizan para señalar el riesgo de dañar la máquina, otros materiales o el área adyacente si no se siguen las instrucciones del manual.

Tenga en cuenta: Se utilizan para entregar más información necesaria en situaciones particulares.

INSTRUCCIONES DE SEGURIDAD IMPORTANTES



ADVERTENCIA: Lea todas las advertencias de seguridad y todas las instrucciones. En caso de no seguir las advertencias ni las instrucciones se pueden producir

sacudidas eléctricas, incendios o daños graves.

Lea todas las instrucciones



ADVERTENCIA: Cuando utilice productos para jardines, siga siempre las precauciones de seguridad básicas para reducir el riesgo de incendio, descarga eléctrica y daños personales, como las siguientes:

Advertencias de seguridad generales de la herramienta eléctrica



ADVERTENCIA: Lea todas las advertencias de seguridad, las instrucciones, las ilustraciones y las especificaciones que se suministran con esta herramienta eléctrica. En caso de no seguir todas las instrucciones que se entregan a continuación, se pueden producir sacudidas eléctricas, incendios o daños graves.

- **Guarde todas las advertencias e instrucciones para futuras referencias.** El término "herramienta eléctrica" que se indica en las advertencias hace referencia a la herramienta eléctrica (con cable) operada con corriente o a la herramienta eléctrica operada con baterías (inalámbrica).

Seguridad en el área de trabajo

- **Mantenga el área de trabajo limpia y bien iluminada.** Las áreas desordenadas u oscuras pueden generar accidentes.
- **No opere herramientas eléctricas en atmósferas explosivas, como ante presencia de gases, polvo o líquidos inflamables.** Las herramientas eléctricas generan chispas que pueden encender el polvo o humos.
- **Mantenga alejados a niños y transeúntes mientras opera una herramienta eléctrica.** Las distracciones pueden hacerle perder el control.

Seguridad personal

- **Permanezca alerta, ponga atención a lo que está haciendo y use el sentido común cuando manipule una herramienta eléctrica. No utilice una herramienta eléctrica si está cansado o bajo la influencia de drogas, alcohol o medicamentos.** Un momento de distracción a la hora de operar una herramienta eléctrica puede generar daños personales graves.
- **Utilice el equipo de protección personal. Siempre utilice protección ocular.** El equipo de protección (como máscara contra polvo, calzado de seguridad antideslizante, casco o protectores auriculares) que se utiliza en condiciones pertinentes reducirá los daños personales.
- **Evite el arranque accidental. Asegúrese de que el interruptor esté en la posición de apagado antes de conectar la herramienta a una fuente de energía o insertar una batería, así como cuando recoja o transporte la herramienta.** Al transportar herramientas eléctricas con su dedo en el interruptor o al suministrarles corriente con el interruptor en la posición de encendido, se pueden provocar accidentes.
- **Quite cualquier llave de ajuste antes de encender la herramienta eléctrica.** Una llave conectada a una pieza giratoria de la herramienta eléctrica puede causar daños personales.
- **No se estire demasiado. Mantenga una posición y un equilibrio adecuados en todo momento.** Esto permite un mejor control de la herramienta eléctrica en situaciones inesperadas.

- **Vístase adecuadamente. No use ropa suelta ni joyas. Mantenga su cabello, su ropa y sus guantes alejados de las piezas en movimiento.** La ropa suelta, las joyas o el cabello largo pueden enredarse en las piezas en movimiento.
- **Si se proporcionan dispositivos para la conexión de instalaciones de recolección y extracción de polvo, asegúrese de que estos se conecten y utilicen de manera pertinente.** El uso de recolectores de polvo puede reducir los peligros relacionados con el polvo.
- **No permita que la familiaridad obtenida del uso frecuente de las herramientas le permita confiarse e ignorar los principios de seguridad de las herramientas.** Una acción descuidada puede causar lesiones graves dentro de una fracción de segundo.
- La emisión de vibración durante el uso de la herramienta eléctrica puede ser diferente del valor total indicado en función de la forma en que se utilice la herramienta. El usuario debe conocer las medidas de seguridad para protegerse a sí mismo, las que se basan en una estimación de la exposición en condiciones de uso reales (teniendo en cuenta todas las partes del ciclo de funcionamiento, como el periodo en que la herramienta está apagada y cuando esté funcionando en ralentí además del gatillo).

Uso y cuidado de la herramienta eléctrica

- **No fuerce la herramienta eléctrica. Utilice la herramienta eléctrica correcta según su aplicación.** Con la herramienta eléctrica correcta, hará el trabajo mejor y de manera más segura a razón del propósito para la cual fue diseñada.
- **No utilice la herramienta eléctrica si no se puede encender o apagar con el interruptor.** Cualquier herramienta eléctrica que no se puede controlar con el interruptor conlleva peligros y se debe reparar.
- **Desconecte el enchufe de la fuente de energía o retire la unidad de batería, si es desmontable, de la herramienta eléctrica antes de hacer ajustes, cambiar accesorios o almacenar la herramienta eléctrica.** Tales medidas de seguridad preventivas reducen el riesgo de arranque accidental de la herramienta eléctrica.

- **Almacene las herramientas eléctricas inactivas fuera del alcance de los niños y no permita que personas que no estén familiarizadas con la herramienta eléctrica o con estas instrucciones operen la herramienta eléctrica.** Las herramientas eléctricas conllevan peligros en manos de usuarios inexpertos.
- **Realice mantenimiento en las herramientas eléctricas y los accesorios. Revise en busca de atascamiento o desalineación de las piezas móviles, rotura de piezas o cualquier otra condición que pueda afectar el funcionamiento de la herramienta eléctrica. Si se daña, repare la herramienta eléctrica antes de su uso.** Muchos de los accidentes se deben a herramientas eléctricas con un mal mantenimiento.
- **Mantenga las herramientas de corte afiladas y limpias.** Las herramientas de corte con un mantenimiento correcto y bordes cortantes afilados son menos propensas a atascamientos y más fáciles de controlar.
- **Utilice la herramienta eléctrica, los accesorios, las barrenas, etc. de acuerdo con estas instrucciones, conforme a las condiciones de trabajo y la tarea que se debe realizar.** El uso de la herramienta eléctrica en operaciones distintas de las previstas podría generar una situación peligrosa.
- **Mantenga los mangos y las superficies de agarre secos, limpios y sin grasa ni aceite.** Los mangos y las superficies de agarre resbaladizas no permiten un manejo seguro ni el control de la herramienta en situaciones imprevistas.

Uso y cuidado de la herramienta a batería

- **Recargue únicamente con el cargador especificado por el fabricante.** Un cargador apto para un tipo de unidad de batería puede implicar riesgo de incendio si se usa con otra unidad de batería distinta.
- **Utilice las herramientas eléctricas únicamente con las unidades de batería específicas para ellas.** El uso de otras baterías puede implicar riesgo de lesiones e incendio.
- **Cuando la unidad de batería no esté en uso, manténgala alejada de otros objetos metálicos, como sujetapapeles, monedas, llaves, clavos, tornillos u otros objetos**

metálicos pequeños que puedan provocar una conexión entre los terminales. Si hace un puente entre los terminales de la batería, puede causar quemaduras o un incendio.

- **En condiciones extremas, la batería puede expulsar líquido; evite el contacto. Si se produjera un contacto accidentalmente, enjuáguese con agua. Si el líquido entra en contacto con los ojos, además, acuda a un médico.** El líquido expulsado de la batería puede causar irritaciones o quemaduras.
- **No utilice una unidad de batería ni una herramienta dañada o modificada.** Las baterías dañadas o modificadas pueden presentar un funcionamiento impredecible que puede provocar un incendio, una explosión o un riesgo de lesiones.
- **No exponga una unidad de batería ni una herramienta al fuego o una temperatura excesiva.** La exposición al fuego o una temperatura superior a 265 °F/130 °C puede causar una explosión.
- **Siga todas las instrucciones de carga y no cargue la batería ni la herramienta en condiciones que superen el rango de temperatura especificado en las instrucciones.** De lo contrario, podría dañar la batería y aumentar el riesgo de incendio.

Servicio

- **Asegúrese de que un experto calificado realice la reparación de la herramienta eléctrica solo con piezas de repuesto idénticas.** Esto garantizará que se mantenga la seguridad de la herramienta eléctrica.
- **Nunca realice servicio a unidades de baterías dañadas.** Solo el fabricante o los proveedores de servicios autorizados deben realizar el servicio de las unidades de batería.

Advertencias de seguridad de la recortadora de césped y de la recortadora de bordes del césped

- **No utilice la máquina en condiciones meteorológicas adversas, especialmente cuando haya pronóstico de tormentas eléctricas.** Esto disminuye el riesgo de ser alcanzado por un rayo.
- **Inspeccione minuciosamente la zona en la que se va a utilizar la máquina en busca**

- de fauna.** La máquina puede lesionar a la fauna durante su funcionamiento.
- **Inspeccione minuciosamente el área donde se va a utilizar la máquina y retire todas las piedras, palos, cables, huesos y otros objetos extraños.** Los objetos despedidos pueden causar daños personales.
 - **Antes de utilizar la máquina, inspeccione siempre visualmente para ver si la cortadora y el conjunto de la cortadora no están dañados.** Las piezas dañadas aumentan el riesgo de lesiones.
 - **Antes de utilizarlo, compruebe que el cable de alimentación y cualquier cable de extensión no presentan signos de daño o envejecimiento. No utilice la máquina si el cable está dañado o desgastado. Si el cable está dañado o desgastado durante el uso, apague la máquina y no toque el cable antes de desconectarlo de la alimentación.** Un cable de alimentación o un cable de extensión dañados pueden provocar una descarga eléctrica, un incendio o lesiones graves.
 - **Mantenga las protecciones en su lugar. Las protecciones deben estar en buenas condiciones de funcionamiento y deben estar montadas correctamente.** Una protección suelta, dañada o que no funcione correctamente puede provocar lesiones personales.
 - **Mantenga todas las entradas de aire de refrigeración libres de residuos.** Las entradas de aire obstruidas y los residuos pueden provocar un sobrecalentamiento o riesgo de incendio.
 - **Utilice protección ocular y auditiva.** Un equipo de protección adecuado reducirá las lesiones personales.
 - **Mientras opere la máquina, utilice siempre calzado antideslizante y de protección. No haga funcionar la máquina descalzo o con sandalias abiertas.** Esto reduce la posibilidad de que los pies sufran lesiones por el contacto con la cortadora en movimiento.
 - **Utilice siempre ropa como pantalones que cubran las piernas del operador mientras opera la máquina.** El contacto con la cortadora o el hilo en movimiento puede causar lesiones.
 - **Mantenga alejados a los transeúntes mientras maneja la máquina.** Los residuos lanzados pueden provocar daños personales.
 - **No opere la máquina por encima de la altura de la cintura.** De esta manera, podrá evitar el contacto accidental con la cortadora y permitir un mejor control de la máquina en situaciones inesperadas.
 - **Tenga cuidado cuando opere la máquina en hierba húmeda. Camine, nunca corra.** De este modo, se reduce el riesgo de resbalones y caídas que pueden provocar lesiones personales.
 - **No utilice la máquina en pendientes excesivamente pronunciadas.** Esto reduce el riesgo de pérdida de control, resbalones y caídas que pueden provocar lesiones personales.
 - **Cuando trabaje en pendientes, asegúrese siempre de pisar bien, trabaje siempre en superficies en pendiente, nunca hacia arriba o hacia abajo y tenga mucho cuidado cuando cambie de dirección.** Esto reduce el riesgo de pérdida de control, resbalones y caídas que pueden provocar lesiones personales.
 - **Mantenga todos los hilos y cables de alimentación alejados de la zona de corte.** Los hilos o cables de alimentación pueden quedar ocultos en los arbustos o setos y la cortadora o el hilo los pueden cortar o dañar accidentalmente.
 - **Mantenga todas las partes del cuerpo lejos de la cortadora o el hilo de la recortadora. No retire el material de la máquina hasta que se desconecte de la fuente de alimentación.** La cortadora o el hilo de la recortadora en movimiento pueden provocar lesiones personales graves.
 - **Transporte la máquina cuando esté apagada y lejos de su cuerpo.** El manejo adecuado de la máquina reducirá la probabilidad de contacto accidental con una cortadora o hilo de la recortadora en movimiento.
 - **Utilice únicamente los cabezales de corte y las cortadoras o los hilos de la recortadora de repuesto que especifique el fabricante. No reemplace las cortadoras ni los hilos de la recortadora con cables o cuchillas de metal.** Las piezas de repuesto incorrectas pueden causar la pérdida de control, roturas y lesiones.

Utilice siempre el sentido común

No es posible abordar todas las situaciones posibles que puede afrontar. Siempre tenga cuidado y use su sentido común. Evite todas las situaciones que considere que están más allá de su capacidad. Si todavía se siente inseguro acerca de los procedimientos operativos después de leer estas instrucciones, debería consultar a un experto antes de continuar.



ADVERTENCIA: Nunca permita que los niños utilicen la máquina o que estén cerca de esta. Dado que la máquina es fácil de arrancar, los niños pueden encenderla si no se les supervisa. Esto puede significar riesgo de daños personales graves. Por lo tanto, desconecte la batería cuando la máquina no cuente con la supervisión adecuada.

Instrucciones generales de seguridad



ADVERTENCIA: Lea atentamente las instrucciones de advertencia siguientes antes de usar el producto.

- Retire la batería para evitar que el producto se encienda por accidente.
- Este producto puede ser una herramienta peligrosa si no se maneja con cuidado o si utiliza el producto de forma incorrecta. Este producto puede causar daños graves o fatales al operador o a otras personas.
- No utilice el producto si cambia su especificación inicial. No cambie una parte del producto sin la aprobación del fabricante. Utilice solamente las piezas que están aprobadas por el fabricante. Las lesiones graves o fatales son un posible resultado de un mantenimiento incorrecto.
- Revise el producto antes de utilizarlo. Consulte *Dispositivos de seguridad en el producto en la página 34 y Mantenimiento en la página 42*. No utilice un producto que esté dañado o que no funcione correctamente. Realice los controles de seguridad, el mantenimiento y las instrucciones de servicio descritos en este manual.

- Se debe supervisar a los niños para asegurarse de que no jueguen con el aparato. Nunca permita que los niños u otras personas no capacitadas para el uso del producto o la batería usen o revisen la máquina. Las leyes locales pueden regular la edad del usuario.
- Mantenga el producto en un área cerrada para evitar que los niños u otras personas sin autorización puedan acceder a él.
- Almacene el producto fuera del alcance de los niños.
- Es posible que su garantía no cubra daños o responsabilidades causadas por el uso de accesorios o piezas de repuesto no autorizados.
- Bajo ninguna circunstancia se puede modificar el diseño del producto sin autorización del fabricante. Siempre utilice accesorios originales. Las modificaciones o los accesorios no autorizados pueden provocar daños personales graves o fatales para el operador u otras personas.

Tenga en cuenta: El uso puede estar regulado por legislaciones nacionales o locales. Cumpla con las normas indicadas.

Instrucciones de seguridad para el funcionamiento



ADVERTENCIA: Lea atentamente las instrucciones de advertencia siguientes antes de usar el producto.

- Si se encuentra en una situación en la que no está seguro de cómo proceder, debe preguntarle a un experto. Póngase en contacto con el distribuidor o el taller de servicio. Evite todos los usos que considere que están más allá de su capacidad.
- Nunca utilice el producto si está cansado, bajo la influencia del alcohol o las drogas, medicamentos o cualquier cosa que pudiera afectar su visión, atención, coordinación o criterio.
- Un equipo de corte defectuoso puede aumentar el riesgo de accidentes.
- No permita que los niños utilicen o se acerquen al producto. Debido a que el producto se puede encender fácilmente, los niños podrían arrancarlo si no se los

- vigila con atención. Esto puede significar riesgo de daños personales graves. Desconecte la batería cuando el producto no cuente con la supervisión adecuada.
- Asegúrese de que ninguna persona o animal se acerque a menos de 50 ft (15 m) mientras trabaja. Cuando haya varios usuarios trabajando en el mismo lugar, la distancia de seguridad debe ser de un mínimo de 50 ft (15 m). De lo contrario, existe el riesgo de daños personales graves. Detenga el producto de inmediato si alguien se acerca. Nunca balancee el producto sin mirar primero hacia atrás para asegurarse de que nadie se encuentre dentro de la zona de seguridad.
 - Asegúrese de que ni personas, ni animales ni ningún objeto o elemento puedan influir en su control del producto o que no entren en contacto con el equipo de corte u objetos flojos que son lanzados por el equipo de corte. No obstante, no utilice el producto a menos que pueda pedir ayuda en caso de accidente.
 - Siempre inspeccione la zona de trabajo. Quite todos los objetos sueltos como piedras, cristales rotos, clavos, alambres de acero, cuerdas, etc., que podrían salir eyectados o enredarse en el equipo de corte.
 - Cerciórese de que puede caminar y mantenerse de pie con seguridad. Revise el área a su alrededor para detectar posibles obstáculos (raíces, piedras, ramas, zanjas, etc.) en caso de que tenga que moverse repentinamente. Tenga sumo cuidado al trabajar en terreno inclinado.
 - Mantenga un buen equilibrio en todo momento. No se estire demasiado.
 - Apague el producto antes de pasar a otra área.
 - Nunca ponga el producto hacia abajo, a menos que se encuentre desactivado y sin batería. No deje el producto sin supervisión cuando se encuentre activado.
 - Retire la batería antes de pasar el producto a otra persona.
 - Asegúrese de que ninguna prenda de vestir o parte del cuerpo entre en contacto con el equipo de corte cuando el producto se encuentre activado. Ajuste el producto para que se mantenga debajo de la cintura.
 - Si algo se atasca en el equipo de corte durante la operación, detenga el trabajo y desactive el producto. Asegúrese de que el equipo de corte se detenga por completo. Retire la batería antes de limpiar, inspeccionar o reparar el producto o el equipo de corte. Existe riesgo de que se produzcan quemaduras, debido al calentamiento de la caja de engranajes. Utilice guantes para trabajar con el cabezal de corte.
 - Mantenga las manos y los pies alejados del equipo de corte hasta que se haya detenido por completo cuando se desactive el producto.
 - Tenga cuidado con los trozos de rama que puedan salir despedidos durante el corte. No corte demasiado cerca del suelo, donde piedras y otros objetos puedan ser lanzados.
 - Esté atento a que no salgan objetos despedidos. Use siempre protección ocular homologada. No se apoye nunca sobre la protección del equipo de corte. Es posible que piedras, residuos, etc., salgan disparados en dirección a los ojos lo que puede provocar ceguera o lesiones graves.
 - Preste atención a las señales de advertencia o gritos cuando utilice protectores auriculares. Siempre retire sus protectores auriculares apenas se detenga el producto.
 - No trabaje nunca desde una escalera, taburete ni ninguna otra posición elevada que no cumpla a cabalidad con las normas de seguridad.
 - Si se genera alguna vibración inesperada, saque más hilo con la longitud correcta para detener las vibraciones.
 - La sobreexposición a las vibraciones puede producir trastornos vasculares o daños al sistema nervioso en personas que padecen de problemas de circulación. Comuníquese con su médico si experimenta síntomas de sobreexposición a las vibraciones. Estos síntomas son entumecimiento, pérdida de sensibilidad, hormigueo, ardor, dolor, pérdida de fuerza, cambios en el color o el estado de la piel. Normalmente, estos síntomas se presentan en los dedos, las manos o las muñecas.

- Siempre sujete el producto con ambas manos. Mantenga el producto al lado derecho de su cuerpo.
- No retire el material de corte, ni deje que otras personas lo hagan, mientras el producto se encuentre encendido o el equipo de corte siga girando, ya que puede provocar lesiones graves.
- Siempre detenga el producto, retire la batería y asegúrese de que el equipo de corte no gire antes de retirar el material enrollado en el recinto o atrapado entre la protección y el equipo de corte.
- En este producto se genera un campo electromagnético durante su funcionamiento. Este campo puede, en determinadas circunstancias, interferir en implantes médicos activos o pasivos. Para reducir el riesgo de lesiones graves o mortales, recomendamos a las personas con implantes médicos consultar a su médico y al fabricante del implante médico antes de usar esta máquina.
- Suelte el gatillo de alimentación después de cada tarea para no consumir la energía de la batería innecesariamente.
- No fuerce el producto. Obtendrá mejores resultados y se reducirá el riesgo de lesiones si lo utiliza a la velocidad para la cual fue diseñado.
- Si se golpea algún objeto extraño o si se producen vibraciones, detenga la máquina de inmediato. Retire la batería del producto y compruebe que no esté dañado.

Equipo de protección personal



ADVERTENCIA: Lea atentamente las instrucciones de advertencia siguientes antes de usar el producto.

- Utilice siempre el equipo de protección personal adecuado cuando use el producto. El equipo de protección personal no puede impedir el riesgo de lesiones, pero disminuirá el grado de lesión si ocurre un accidente. Permita que su concesionario lo ayude a seleccionar el equipo adecuado.
- Utilice un casco protector cuando exista el riesgo de caída de objetos.
- La exposición prolongada al ruido puede causar la pérdida de la

audición. En general, los productos con alimentación mediante batería son relativamente silenciosos, pero pueden producir daños por medio de una combinación entre el nivel de ruido y el uso prolongado. Husqvarna recomienda que los operadores utilicen protectores auriculares cuando utilicen productos durante días enteros. Los usuarios recurrentes y habituales deben procurar acudir a exámenes auditivos con regularidad.



ADVERTENCIA: Los protectores auriculares limitan la capacidad de escuchar sonidos y señales de advertencia.

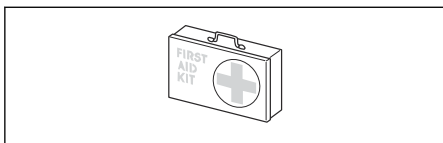
- Use protección ocular homologada. Si utiliza un visor, también debe usar gafas protectoras homologadas. Las gafas protectoras homologadas deben cumplir con la norma ANSI Z87.1 de EE. UU. o EN 166 para países de la UE.
- Utilice un visor para proteger el rostro. El visor no es suficiente para proteger los ojos.



- Utilice guantes cuando sea necesario, por ejemplo, cuando conecte, examine o limpie el equipo de corte.
- Utilice botas o zapatos antideslizantes resistentes.
- Utilice ropa de material resistente. Use siempre pantalones largos y gruesos, y mangas largas. Evite usar ropas holgadas que se puedan enganchar con ramas. No trabaje con joyas, pantalones cortos, sandalias ni con los pies descalzos. Asegure su cabello por encima del nivel de los hombros.



- Mantenga un equipo de primeros auxilios a mano.



Equipo de corte



ADVERTENCIA: Retire la batería y asegúrese de que el equipo de corte se detenga completamente antes de trabajar en cualquier parte del equipo de corte.



ADVERTENCIA: Solo utilice el equipo de corte con las protecciones que recomendamos. Para obtener más información, consulte *Accesorios en la página 49*.

Cabezal de corte

- Utilice siempre el cabezal y el equipo de corte correctos, además del hilo de recortadora recomendado. Consulte *Accesorios en la página 49* y el montaje al final del manual.
- Asegúrese de que la cortadora en la protección de la recortadora no esté dañada.
- Asegúrese de que el hilo de la recortadora esté enrollado firme y uniformemente alrededor del tambor para evitar vibraciones inusuales del producto. Distintas longitudes de hilo puede provocar vibraciones que no son necesarias. Golpee el cabezal de corte para conseguir la longitud correcta del hilo.

Dispositivos de seguridad en el producto



ADVERTENCIA: Lea atentamente las instrucciones de advertencia siguientes antes de usar el producto.

En esta sección se describen las características de seguridad del producto y su propósito, y cómo deben llevarse a cabo las comprobaciones y el mantenimiento para asegurarse de que funciona correctamente.

Consulte las instrucciones bajo el título *Descripción general del producto en la página 25* para saber dónde se encuentran estas piezas en el producto.

La vida útil del producto se puede reducir y el riesgo de accidentes puede aumentar si el mantenimiento del producto no se realiza correctamente y si el servicio o las reparaciones no se llevan a cabo de forma profesional. Si necesita más información, comuníquese con su taller de servicio más cercano.



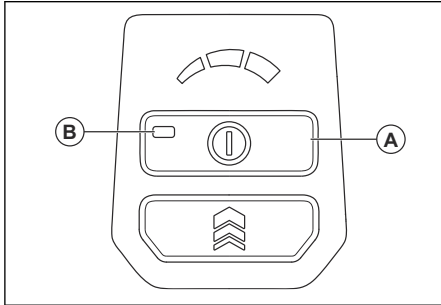
ADVERTENCIA: No utilice nunca un producto con componentes de seguridad dañados. El equipo de seguridad del producto se debe inspeccionar y mantener tal como se describe en esta sección. Si el producto no pasa exitosamente alguna de estas comprobaciones, póngase en contacto con el taller de servicio para que lo reparen.



AVISO: Todos los trabajos de servicio y reparación de la máquina requieren una formación especial. Esto aplica especialmente al equipo de seguridad. Si la máquina no pasa exitosamente alguna de las comprobaciones indicadas a continuación, póngase en contacto con el taller de servicio. La compra de alguno de nuestros productos le garantiza la disponibilidad de mantenimiento y servicio profesionales. Si el minorista que vende la máquina no es un distribuidor de mantenimiento, pídale la dirección del agente de mantenimiento más cercano.

Para comprobar el teclado

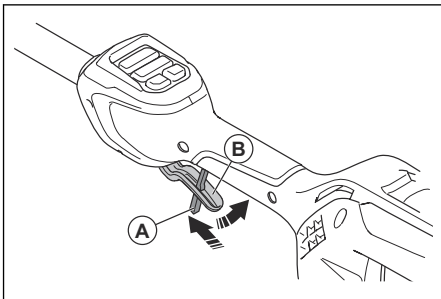
- Mantenga presionado el botón de encendido (A).



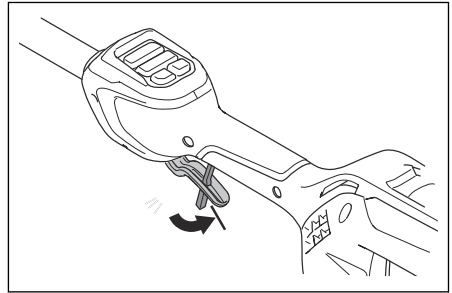
- a) El producto se enciende cuando la luz LED (B) se enciende.
- b) El producto se apaga cuando la luz LED (B) se apaga.

Comprobación del bloqueo del gatillo de alimentación

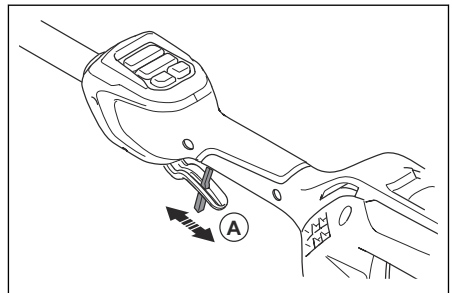
El bloqueo del gatillo de alimentación previene que el producto se encienda accidentalmente. Cuando presiona el bloqueo del gatillo de alimentación (A) hacia delante, se libera el gatillo de alimentación (B). Cuando suelte el mango, el gatillo de alimentación y el bloqueo del gatillo de alimentación volverán a su posición inicial.



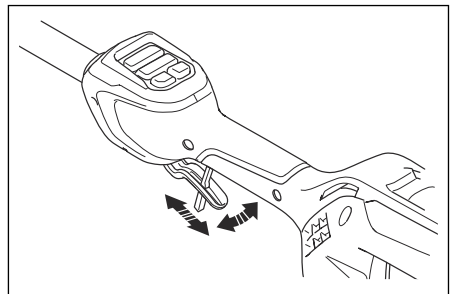
1. Asegúrese de que el gatillo de alimentación esté bloqueado cuando el bloqueo del gatillo de alimentación se encuentre en su posición inicial.



2. Presione el bloqueo del gatillo de alimentación (A) hacia delante. Asegúrese de que vuelva a su posición inicial cuando lo suelte.



3. Asegúrese de que el gatillo de alimentación y el bloqueo del gatillo de alimentación se muevan con facilidad, y que el resorte de retorno funcione correctamente.



4. Encienda el producto. Consulte *Para poner en marcha el producto en la página 40*.
5. Aplique la potencia máxima.
6. Suelte el bloqueo del gatillo de alimentación y asegúrese de que el equipo de corte se detenga por completo.

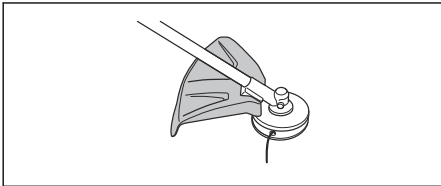
Comprobación de la protección del equipo de corte



ADVERTENCIA: No utilice un equipo de corte sin una protección para equipo de corte aprobada y correctamente acoplada. Utilice siempre la protección recomendada para el equipo de corte correspondiente. Para obtener más información, consulte *Accesorios en la página 49*. Un montaje incorrecto o defectuoso de la protección del equipo de corte puede provocar lesiones personales graves.

La protección del equipo de corte evita que un objeto salga disparado en dirección al operador. También evita lesiones que se producen si toca el equipo de corte.

1. Detenga el motor.
2. Realice una comprobación visual para determinar si existen daños, por ejemplo, grietas.



3. Reemplace la protección del equipo de corte si está dañada.

Seguridad de la batería



ADVERTENCIA: Lea atentamente las instrucciones de advertencia siguientes antes de usar el producto.

- Utilice solo una Husqvarna batería recargable aprobada. Consulte *Datos técnicos en la página 48*. La batería cuenta con un software cifrado.
- Utilice una batería Husqvarna que sea recargable como fuente de alimentación solo para los productos Husqvarna relacionados. Para evitar daños, no utilice la batería como fuente de alimentación en otros dispositivos.
- Riesgo de sacudida eléctrica. No conecte los terminales de la batería a llaves,

monedas, tornillos u otros objetos metálicos. Esto puede provocar un cortocircuito de la batería.

- No utilice baterías no recargables.
- No introduzca objetos en las ranuras de aire de la batería.
- Mantenga la batería alejada de la luz solar, del calor o de llamas. La batería puede causar quemaduras o quemaduras químicas.
- Mantenga la batería alejada de microondas y de alta presión.
- No intente desarmar o romper la batería.
- Si se produce una filtración en la batería, no permita que el líquido entre en contacto con la piel o los ojos. Si toca el líquido, limpie el área con agua y jabón abundante y solicite asistencia médica. Si el líquido se introduce en los ojos, no los frote, enjuáguese con agua durante un mínimo de 15 minutos y solicite asistencia médica.
- Utilice la batería a temperaturas entre 14°F (-10°C) y 104°F (40°C).
- No limpie con agua la batería o el cargador de batería. Consulte *Para limpiar el producto, la batería y el cargador de batería en la página 43*.
- No utilice una batería que esté dañada.
- Almacene las baterías en compartimientos alejados de objetos metálicos, como clavos, tornillos o joyas.
- Mantenga las baterías alejadas de los niños.

Seguridad del cargador de batería



ADVERTENCIA: Lea atentamente las instrucciones de advertencia siguientes antes de usar el producto.

- Existe riesgo de sacudidas eléctricas o cortocircuitos si no se siguen las instrucciones de seguridad.
- Utilice una toma de corriente con conexión a tierra que no presente daños.
- Solo utilice cargadores Husqvarna.
- No intente desarmar el cargador de batería.
- No levante el cargador de batería tirando del cable de alimentación. Para desconectar el cargador de batería de la toma de corriente, tire del enchufe. No tire del cable de alimentación.

- Mantenga todos los cables y extensiones alejados del agua, aceite y bordes afilados. Asegúrese de que el cable no quede atrapado entre objetos, por ejemplo, puertas, vallas o elementos similares.
- No utilice el cargador de batería cerca de materiales inflamables o materiales que puedan causar corrosión. Asegúrese de que el cargador de la batería no esté cubierto. Desconecte el cargador de batería del enchufe en caso de incendio o humo.
- Cargue la batería solo en un lugar bajo techo con buena ventilación y lejos de la luz solar. No cargue la batería al aire libre. No cargue la batería en condiciones húmedas.
- Utilice el cargador de baterías solo cuando la temperatura esté entre los 41°F (5°C) y 104°F (40°C). Utilice el cargador en un entorno que cuente con un buen flujo de aire, seco y sin polvo.
- No introduzca objetos en las ranuras de enfriamiento del cargador de la batería.
- No conecte los terminales del cargador de la batería a objetos metálicos, ya que esto puede causar cortocircuitos en el cargador de la batería.
- Utilice tomas de corriente aprobadas que no presenten daños. Asegúrese de que el cable del cargador de la batería no presente daños. Si utiliza cables de extensión, asegúrese de que no presenten daños.
- Utilice un interruptor diferencial (RCD, por su sigla en inglés) para una mayor seguridad. Los interruptores diferenciales están equipados para proteger a los operadores en caso de que ocurra alguna falla eléctrica.
- Utilice enchufes de pared aprobados que no presenten daños.
- Examine con regularidad que el cable de alimentación no esté dañado. Desconecte inmediatamente el cargador de la batería si el cable de alimentación está dañado.
- Si el cable de alimentación o está dañado, reemplácelo.
- Mantenga el cargador de la batería alejado de los niños.
- No utilice un cargador de baterías dañado o que no funcione correctamente.
- No utilice el cargador de la batería cuando haya un riesgo de tormentas eléctricas.
- No manipule el cargador de la batería con las manos mojadas.
- Este aparato puede ser utilizado por niños de 8 años o mayores, y por personas con capacidades físicas, sensoriales o cognitivas reducidas, o que carezcan de la experiencia y los conocimientos necesarios, solo si se los supervisa o reciben instrucciones sobre el uso del aparato de manera segura y si comprenden los peligros involucrados. Los niños no deben jugar con el aparato. La limpieza y el mantenimiento por parte del usuario no debe hacerlo un niño sin supervisión.

Instrucciones de seguridad para el mantenimiento



ADVERTENCIA: Lea atentamente las instrucciones de advertencia antes de realizar mantenimiento al producto.

- Retire la batería antes de hacer el mantenimiento, otras revisiones o el armado del producto.
- El operador solo debe hacer el mantenimiento y el servicio que se indica en el manual del usuario. Acuda a su concesionario de servicio cuando deba realizar mantenimiento y servicio a mayor escala.
- No limpie con agua la batería o el cargador de batería. Los detergentes fuertes pueden dañar el plástico.
- Si no realiza el mantenimiento, disminuye la vida útil del producto y aumenta el riesgo de accidentes.
- Se necesita capacitación especial para todos los trabajos de servicio y reparación, especialmente de los dispositivos de seguridad del producto. Si no se aprueban todas las comprobaciones establecidas en este manual del usuario después de realizar el mantenimiento, acuda al concesionario de servicio. Garantizamos que existen reparaciones y servicios profesionales disponibles para su producto.
- Solo utilice piezas de repuesto originales.
- El mantenimiento, reemplazo o reparación de los dispositivos y sistemas de control de emisiones sistema puede ser realizado por cualquier establecimiento o persona de

GUARDE ESTAS INSTRUCCIONES

Montaje

Introducción

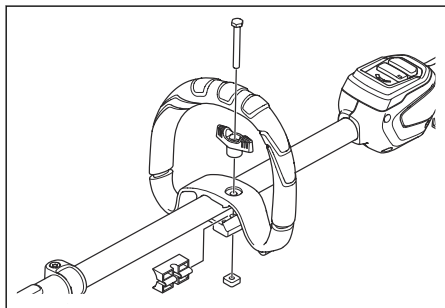
En este capítulo se describe cómo montar y ajustar el producto.



ADVERTENCIA: Antes de montar el producto, lea el capítulo sobre seguridad y las instrucciones de montaje.

Para conectar el mango cerrado

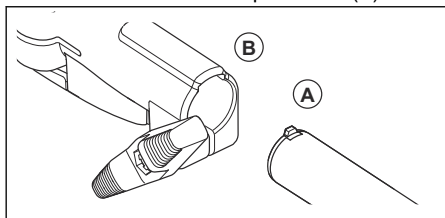
1. Fije el mango cerrado sobre el eje entre las flechas.



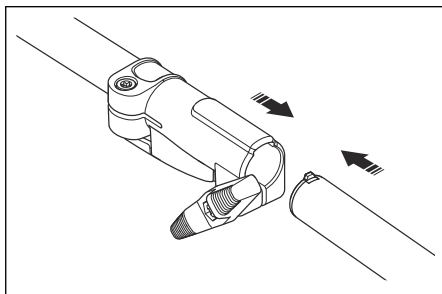
2. Mueva el separador en la ranura del mango cerrado.
3. Instale el tornillo y la perilla. No apriete en exceso.
4. Ajuste el mango cerrado a una posición adecuada.
5. Apriete la perilla.

Montaje del eje de dos piezas

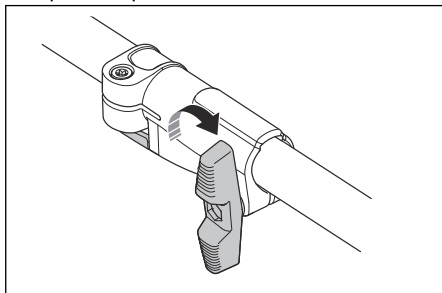
1. Gire la perilla para aflojar el acoplamiento.
2. Alinee la lengüeta del equipo de corte (A) con la ranura en el acoplamiento (B).



3. Empuje cuidadosamente el eje en el acoplamiento hasta que se escuche un clic.

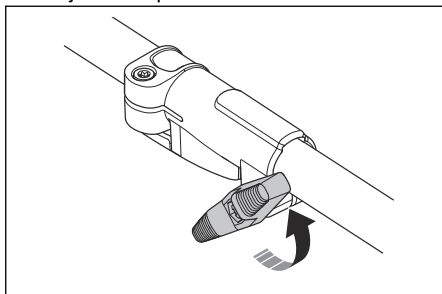


4. Apriete la perilla hasta el final.



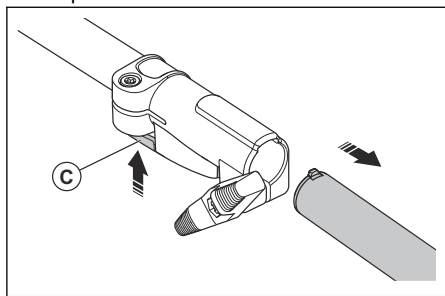
Para desmontar el eje de dos piezas

1. Gire la perilla unas 3 vueltas o más para aflojar el acoplamiento.



2. Mantenga presionado el botón (C).
3. Sujételo fuertemente hacia el extremo del eje al que está conectado el motor.

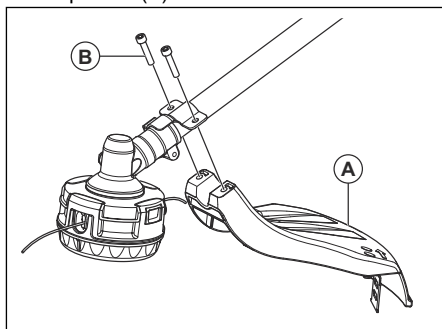
4. Tire del accesorio para sacarlo del acoplamiento.



Para instalar la protección del equipo de corte

1. Fije la protección del equipo de corte (A) correcta para el cabezal de corte. Consulte *Accesorios en la página 49*.

2. Coloque la protección del equipo de corte en la conexión sobre el eje.
3. Fije la protección del equipo de corte con los pernos (B).



Funcionamiento

Introducción



ADVERTENCIA: Asegúrese de leer y comprender el capítulo de seguridad antes de utilizar el producto.

Antes de usar el producto

- Examine la zona de trabajo para asegurarse de conocer el tipo de terreno. Examine la pendiente de la tierra y observe si hay obstáculos como piedras, ramas y zanjas.
- Realice una inspección general del producto.
- Haga las inspecciones de seguridad, mantenimiento y servicio que figuran en este manual.
- Examine el motor en busca de suciedad y grietas. Utilice un cepillo para limpiar el césped y las hojas del motor. Utilice guantes protectores cuando sea necesario.
- Inspeccione el cabezal de corte y la protección del equipo de corte para determinar si presentan daños o grietas. Reemplace el cabezal de corte y la protección del equipo de corte si recibieron golpes o si presentan grietas.
- Asegúrese de que todas las tuercas y todos los tornillos estén apretados.

- Asegúrese de que todas las cubiertas, las protecciones, los mangos y el equipo de corte estén fijados correctamente y que no presenten daños antes de arrancar el producto.

Para conectar el cargador de la batería



ADVERTENCIA: Utilice el cargador de baterías solo a temperaturas ambiente entre 41°F (5°C) y 104°F (40°C).

1. Conecte el cargador de la batería según el voltaje y la frecuencia especificados en la placa de características.
2. Enchufe el producto en una toma de corriente con conexión a tierra. El LED del cargador de la batería parpadea en rojo 1 vez y en verde 1 vez.

Para cargar la batería



AVISO: Asegúrese de que la batería, el cargador de la batería y los terminales de la batería estén limpios y secos. Si la batería está sucia o húmeda, no la coloque en el cargador de baterías.

1. Conecte el cargador de baterías a una toma de corriente. El LED de carga parpadea en rojo 1 vez y en verde 1 vez.



AVISO: Solo conecte el cargador de baterías a una toma de corriente con la tensión y la frecuencia que se especifican en la placa de características.

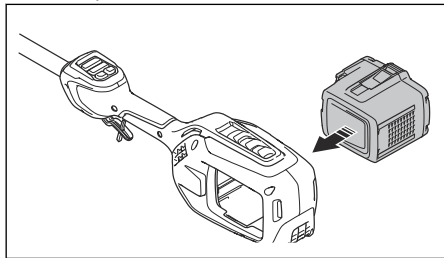
2. Conecte la batería al cargador. El LED de carga se enciende.
3. Cuando la batería esté completamente cargada, retírela del cargador. Presione el botón del indicador de la batería para ver su estado de carga. Cuando todas las luces LED se enciendan, se indica que la batería está completamente cargada.
4. Tire el enchufe para desconectar el cargador de baterías de la toma de corriente. No tire del cable de alimentación.

Para conectar la batería al producto



ADVERTENCIA: Utilice solo baterías originales Husqvarna en el producto.

1. Asegúrese de que la batería esté totalmente cargada.
2. Presione la batería en el compartimiento de batería del producto. Cuando escuche un clic, significará que la batería se encuentra fija en su posición correspondiente.



AVISO: Si la batería no se mueve con facilidad, la instalación de la batería no se realizó correctamente. Esto puede provocar daños al producto.

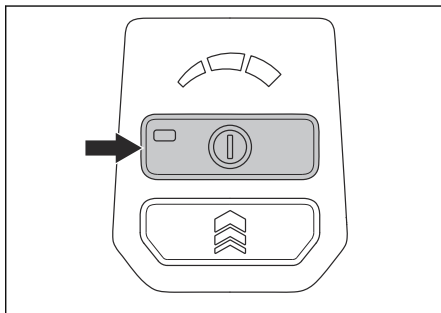
3. Asegúrese de que la batería esté correctamente instalada.

Información de la batería

Consulte el manual de usuario de la batería para obtener información sobre cómo utilizar la batería.

Para poner en marcha el producto

1. Coloque el producto en la posición de arranque.
2. Mantenga presionado el botón de encendido hasta que la luz LED verde se encienda.

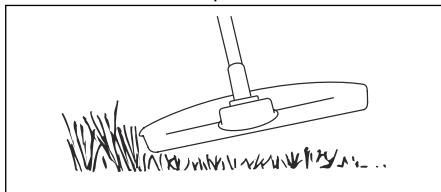


3. Utilice el gatillo de alimentación para controlar la velocidad.

Para hacer funcionar el producto

Para recortar el césped

- Sostenga el cabezal de corte inmediatamente sobre el nivel del suelo en un ángulo. No presione el hilo de la recortadora de césped contra este último.



Para eliminar césped

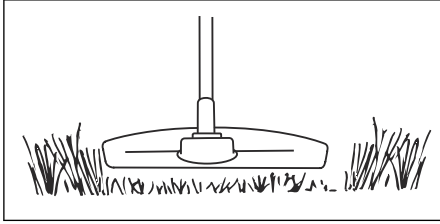
1. Mantenga el cabezal de corte sobre el suelo.
2. Incline el cabezal de corte.
3. Corte con el extremo del hilo de la recortadora alrededor de los objetos en la zona de trabajo.



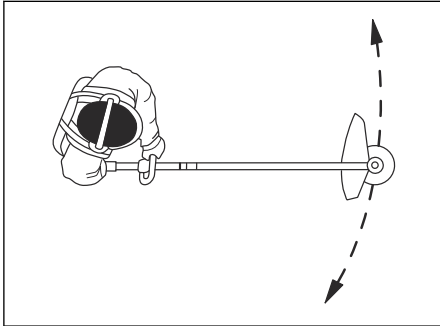
AVISO: Corte el césped. Otros objetos que reciban golpes del hilo de la recortadora aumentan su desgaste.

Para cortar el césped

1. Asegúrese de que el hilo de la recortadora de césped esté paralelo al suelo cuando corte.



2. No presione el cabezal de corte contra el suelo. Esto puede provocar daños al producto.
3. Mueva el producto de un lado a otro cuando corte. Utilice la máxima velocidad.



Para barrer el césped

El flujo de aire del hilo giratorio de la recortadora puede usarse para eliminar el césped cortado de una zona.

1. Mantenga el cabezal de corte y el hilo de la recortadora paralelos al suelo y por sobre él.
2. Acelere al máximo.
3. Mueva el cabezal de corte de lado a lado y barra la hierba.



ADVERTENCIA: Limpie la cubierta del cabezal de corte cada vez que monte el nuevo hilo de la recortadora para evitar desestabilizaciones y vibraciones en los manillares. También realice una comprobación de las demás piezas del cabezal de corte y límpielo si es necesario.

Función de modo de velocidad

Puede utilizar el producto en 3 modos de velocidad.

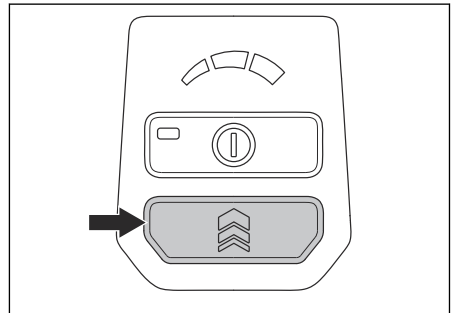
- Modo ECO: En la pantalla de modo de velocidad, se enciende 1 LED cuando se opera el producto. Utilice el modo ECO para facilitar las tareas y prolongar la vida útil de la batería.
- Modo normal: En la pantalla de modo de velocidad, 2 LED se encienden cuando se opera el producto. El modo normal se aplica a la mayoría de las tareas. El producto se encuentra en el modo normal cuando arranca.
- Modo de refuerzo: En la pantalla de modo de velocidad, los 3 LED se encienden cuando se opera el producto. Utilice el modo de refuerzo para tareas en las que se necesita más fuerza.

Tenga en cuenta: Si suelta el gatillo de alimentación, el producto se ajusta en el último modo de velocidad utilizado cuando se vuelve a arrancar. Si el producto se detiene automáticamente, se ajusta en el modo normal cuando se vuelve a arrancar.

Para seleccionar un modo de velocidad

Puede ajustar el modo de velocidad necesario cuando opere el producto.

- Presione el botón de modo de velocidad hasta seleccionar el modo de velocidad correcto. Los LED se encienden, consulte *Función de modo de velocidad en la página 41*.



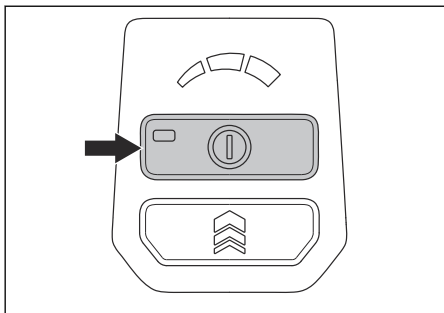
Función de apagado automático

El producto cuenta con una función de apagado automático que lo detiene si no se está utilizando. La luz LED verde que indica

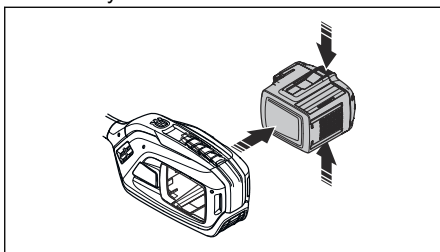
arranque/detención se apaga y el producto se apaga en 120 segundos.

Para detener el producto

1. Suelte el gatillo de alimentación o el bloqueo del gatillo de alimentación.
2. Presione el botón de encendido.



3. Presione los botones de liberación de la batería y retírela.



Mantenimiento

Introducción



ADVERTENCIA: Lea detenidamente el capítulo de seguridad antes de realizar mantenimiento en el producto.

La siguiente es una lista de pasos de mantenimiento que se deben realizar en el producto. Consulte *Introducción en la página 42* para obtener más información.

Programa de mantenimiento



ADVERTENCIA: Retire la batería antes de realizar mantenimiento.

Mantenimiento	Diario	Una vez por semana	Una vez al mes
Limpie las piezas externas del producto con un paño seco. No utilice agua.	X		
Asegúrese de que el botón de encendido funcione correctamente y que no presente daños.	X		
Asegúrese de que el gatillo de alimentación y el bloqueo del gatillo de alimentación funcionen correctamente en términos de seguridad.	X		
Asegúrese de que todos los controles funcionen y no estén dañados.	X		
Mantenga los mangos secos, limpios y sin grasa ni aceite.	X		

Mantenimiento	Diario	Una vez por semana	Una vez al mes
Asegúrese de que el equipo de corte no esté dañado. Reemplace el equipo de corte si está dañado.	X		
Asegúrese de que la protección del equipo de corte no esté dañada. Reemplace la protección del equipo de corte si está dañada.	X		
Asegúrese de que las tuercas y los tornillos estén apretados.	X		
Asegúrese de que los botones de liberación de la batería funcionen y que fijen la batería al producto.	X		
Asegúrese de que el cargador de la batería no esté dañado y funcione correctamente.	X		
Asegúrese de que la batería no esté dañada.	X		
Asegúrese de que la batería esté cargada.	X		
Asegúrese de que el cargador de la batería no esté dañado.	X		
Examine todos los acoplamientos y las conexiones. Asegúrese de que no estén dañados y que no tengan indicios de suciedad.		X	
Realice una comprobación de las conexiones entre la batería y el producto. Examine también la conexión entre la batería y el cargador de batería.			X

Para examinar la batería y el cargador de la batería

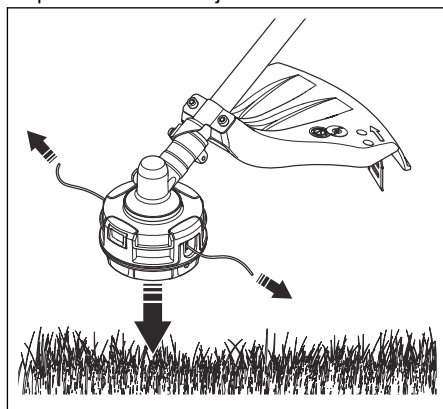
1. Examine la batería en busca de daños, tales como grietas.
2. Examine el cargador de la batería en busca de daños, tales como grietas.
3. Asegúrese de que el cable de conexión del cargador de batería no presente daños ni grietas.

Para limpiar el producto, la batería y el cargador de batería

1. Limpie el producto con un paño seco después del uso.
2. Limpie la batería y el cargador de la batería con un paño seco. Mantenga limpios los rieles de guía de la batería.
3. Asegúrese de que las terminales en la batería y en el cargador de la batería estén secos antes de que la batería se coloque en el cargador de la batería o en el producto.

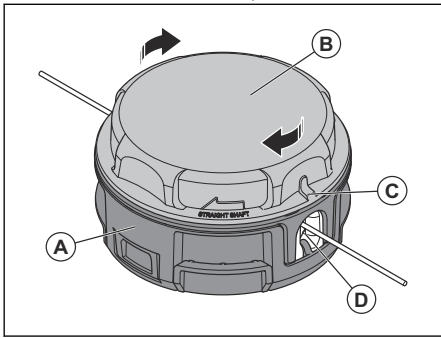
Para extender el hilo de la recortadora

- Si el hilo de la recortadora se queda corto durante el funcionamiento, toque el cabezal de corte en una superficie sólida y plana para extender más el hilo. Debe operar el producto a máxima velocidad para obtener el mejor resultado.



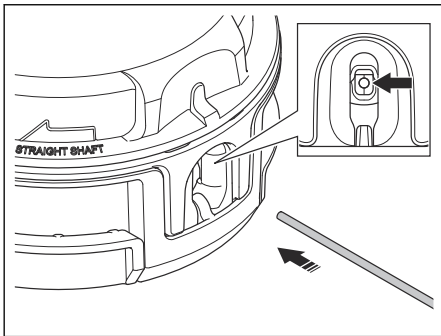
Para sustituir el hilo de la recortadora

1. Sujete la mitad inferior (A) del cabezal de corte con una sola mano. Gire la mitad superior (B) del cabezal de corte hacia la derecha con la mano opuesta.

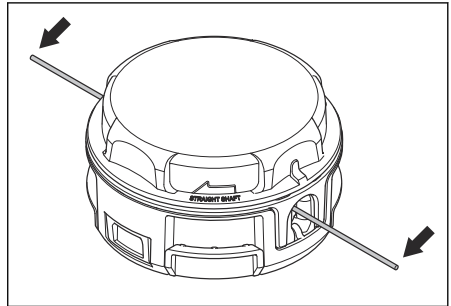


Tenga en cuenta: Cuando gire la mitad superior del cabezal de corte, escuchará un clic.

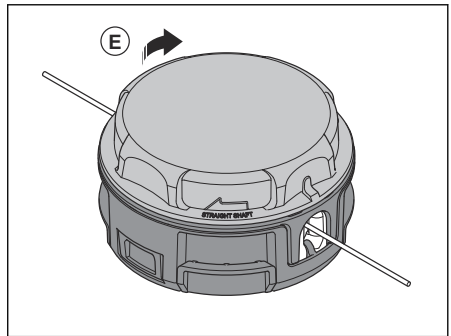
2. Continúe girando la mitad superior del cabezal de corte hasta que el triángulo (C) se alinee con el orificio (D).
3. Retire y deseche el hilo restante de la recortadora.
4. Corte aproximadamente 22 ft (6,7 m) del nuevo hilo de la recortadora.
5. Coloque un extremo del hilo de la recortadora en uno de los orificios.



6. Inserte el hilo de la recortadora a través del cabezal de corte y a través del orificio opuesto.



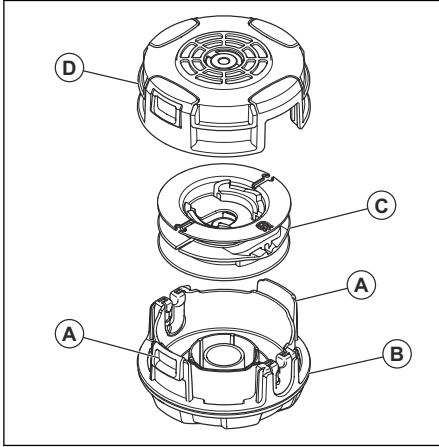
7. Tire el hilo de la recortadora a través del cabezal de corte hasta que haya una longitud igual de hilo de la recortadora en cada lado.
8. Sujete la mitad inferior del cabezal de corte de manera estable con una sola mano. Gire la mitad superior del cabezal de corte hacia la derecha con la mano opuesta.
9. Continúe girando la mitad superior del cabezal de corte hasta que se hayan extendido aproximadamente 5 in (127 mm) de hilo de la recortadora desde cada orificio.



Tenga en cuenta: Si el hilo de la recortadora es demasiado largo en uno de los lados del cabezal de corte, corte el hilo hasta la longitud correcta.

Para inspeccionar y limpiar el cabezal de corte

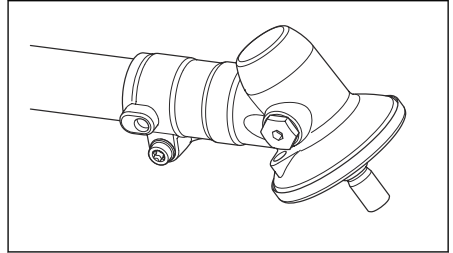
1. Presione las pestañas (A) para retirar la mitad inferior (B) del cabezal de corte.



2. Retire el carrete (C).
3. Retire y deseche cualquier trozo de hilo de la recortadora y cualquier material no deseado del cabezal de corte y del carrete.
4. Coloque el carrete en la mitad inferior.
5. Acople la mitad superior (D). Asegúrese de que todas las piezas estén bien alineadas y en la posición correcta.
6. Gire el cabezal de corte ensamblado con la mano. Asegúrese de que las mitades superior e inferior estén cerradas por completo y que las pestañas estén completamente conectadas.
7. Para sustituir el hilo de la recortadora, consulte *Para sustituir el hilo de la recortadora en la página 44*.

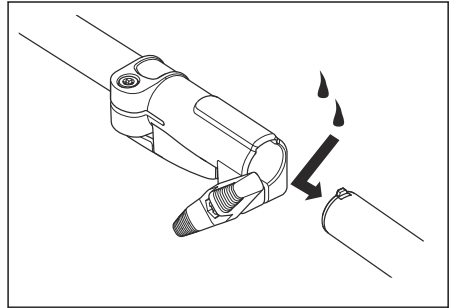
Engranaje angulado

El engranaje angulado se llena a $\frac{3}{4}$ con grasa en la fábrica. Antes de utilizar el producto, asegúrese de que el nivel de grasa no haya cambiado. Utilice la grasa especial Husqvarna si es necesario rellenar. No cambie la grasa del engranaje angulado. Deje que el personal de servicio realice la reparación del engranaje angulado.



Eje de dos piezas

Aplice grasa al extremo del eje propulsor cada 30 horas de funcionamiento. Existe riesgo de que los extremos del eje propulsor (acoplamiento ranurado) de los modelos con ejes de dos piezas se agarroten si no se lubrican regularmente.



Solución de problemas

Producto

Problema	Causa	Solución
La línea del recortador no se extiende.	Pasto o material no deseado en el cabezal del recortador.	Desarme y limpie el cabezal del recortador.

Teclado

El LED del botón de encendido parpadea	Posibles fallas	Posible medida
Encendido ininterrumpido	Batería baja.	Cargue la batería.
2 parpadeos	Subvoltaje.	<ol style="list-style-type: none"> 1. Apague el producto. 2. Encienda el producto nuevamente. 3. Si el problema persiste, comuníquese con un taller de servicio.
3 parpadeos	Batería defectuosa.	Cambie la batería.
4 parpadeos	Sobrecorriente.	<ol style="list-style-type: none"> 1. Apague el producto. 2. Encienda el producto nuevamente. 3. Si el problema persiste, comuníquese con un taller de servicio.
5 parpadeos	Alta temperatura.	Deje que el producto se enfríe.
6 parpadeos	Falla del bloque de rotación.	<ol style="list-style-type: none"> 1. Apague el producto. 2. Encienda el producto nuevamente. 3. Si el problema persiste, comuníquese con un taller de servicio.
9 parpadeos	Modo de protección activado.	<ol style="list-style-type: none"> 1. Apague el producto. 2. Encienda el producto nuevamente. 3. Cambie el método de trabajo si el modo de protección se vuelve a activar.
10 parpadeos	Error de comunicación de la batería.	<ol style="list-style-type: none"> 1. Extraiga la batería. 2. Limpie los conectores de la batería con aire comprimido o con un cepillo de cerdas suaves. 3. Vuelva a instalar la batería correctamente.

Batería

Estado	Posibles fallas	Procedimiento posible
El LED de advertencia de la batería parpadea.	Desviación de temperatura, la batería está demasiado fría o demasiado caliente para su uso.	Deje que la batería se enfríe o muévela al interior para calentarla. Cuando la batería tenga la temperatura correcta, se puede volver a utilizar. Utilice la batería a las temperaturas ambiente especificadas en <i>Datos técnicos en la página 48</i> .
	La batería está vacía.	Cargue la batería.

Estado	Posibles fallas	Procedimiento posible
El LED de advertencia de la batería se enciende.	Error permanente de la batería.	Consulte a su concesionario.

Cargador de la batería

Estado	Posibles fallas	Procedimiento posible
El LED de carga es de color rojo.	Error permanente del cargador de baterías.	Consulte a su concesionario.
El LED de carga parpadea en color rojo.	Desviación de temperatura, la batería se encuentra demasiado fría o caliente para utilizarla o cargarla.	Deje que la batería se enfríe o se caliente. Cuando la batería tenga la temperatura correcta, se puede utilizar o cargar nuevamente. Utilice el cargador de baterías a las temperaturas ambiente especificadas en <i>Datos técnicos en la página 48</i> .
El LED de carga parpadea en color verde.		
El LED de carga parpadea en color rojo.	Batería defectuosa.	Consulte a su concesionario.

Transporte, almacenamiento y eliminación de residuos

Transporte y almacenamiento

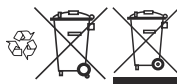
- Cumpla los requisitos de la Legislación de productos peligrosos aprobada sobre baterías de iones de litio.
- Siga los requisitos especiales sobre el embalaje y las etiquetas para transportes comerciales, incluidos los de terceros y transportistas.
- Comuníquese con una persona con capacitación especial sobre materiales peligrosos antes de enviar el producto. Siga todas las normas nacionales aplicables.
- Utilice cinta sobre los contactos abiertos cuando coloque la batería en un paquete. Coloque firmemente la batería en el paquete para evitar el movimiento.
- Retire la batería para almacenarla o transportarla.
- Coloque la batería y el cargador de la batería en un lugar seco, donde no haya humedad ni heladas.
- No mantenga la batería en un área donde pueda generarse electricidad estática. No mantenga la batería en una caja metálica.
- Coloque la unidad de batería en un almacenamiento donde la temperatura oscile entre 41 °F/5 °C y 77 °F/25 °C, lejos de la luz solar directa.
- Coloque el cargador de la batería en un almacenamiento donde la temperatura esté entre los 41 °F/5 °C y 113 °F/45 °C, lejos de la luz solar directa.
- Utilice solamente el cargador de la batería cuando la temperatura ambiente esté entre 41 °F/5 °C y 104 °F/40 °C.
- Cargue la batería de un 30 % a un 50 % antes de almacenarla durante períodos prolongados.
- Almacene el cargador de la batería en un espacio cerrado y seco.
- Mantenga la batería lejos del cargador de la batería durante el almacenamiento. No permita que niños y otras personas sin autorización toquen el equipo. Mantenga el equipo en un espacio que pueda cerrar.
- Limpie el producto y realice un mantenimiento total antes de almacenarlo durante un período prolongado.
- Utilice protección para transportes en el producto para evitar lesiones o daños

en el producto durante su transporte y almacenamiento.

- Fije el producto de manera segura durante el transporte.

Eliminación de la batería, el cargador de la batería y el producto

El siguiente símbolo significa que el producto no se debe desechar como residuo doméstico. Recíclolo en una planta de reciclaje para equipo eléctrico y electrónico. Esto ayuda a evitar daños al medioambiente y a las personas.



Comuníquese con las autoridades locales, servicio de desechos doméstico o con su concesionario para obtener más información.

Tenga en cuenta: El símbolo se muestra en el producto o en el paquete del producto.

Datos técnicos

	330iKL
Motor	
Tipo de motor	BLDC (sin escobillas), 36 V
Ancho de corte en in/mm	18/457
Peso	
Peso sin la batería, lb/kg	9,1/4,1
Nivel de protección contra el agua	
Disponible para todo tipo de clima	No
Límites de temperatura	
Temperatura ambiente para el funcionamiento, °F/°C	14–104/-10–40
Temperatura ambiente para almacenamiento, °F/°C	41-77/5-25

Baterías homologadas para el producto

Batería	BLi22	BLi30	40-B140
Tipo	lones de litio	lones de litio	lones de litio
Capacidad de la batería, Ah	4,2	7,5	4,0
Voltaje nominal, V	36	36	36
Peso, lb/kg	2,9/1,3	4,2/1,9	2,6/1,2

Cargadores de batería aprobados

Cargador de la batería	QC250	40-C80
Voltaje de entrada, V	100-240	100-240
Frecuencia, Hz	50-60	50-60
Potencia, W	250	80

Accesorios

Accesorios

330iKL	
Accesorios aprobados	Tipo
Cabezal de corte	RapidReplace™ (0,080-0,095 in/2,0-2,4 mm)

Accesorios

Accesorios homologados	Usar con
Accesorio de recorte TA320	330iK
Accesorio quita arbustos BCA850	330iK
Accesorio recíproco RA850	330iK
Accesorio de soplador BA101	330iK
Accesorio de rebordeadora ECA308	330iK
Accesorio de rebordeadora ECA850	330iK
Accesorio de rebordeadora ESA850	330iK
Accesorio de cortasetos HA322	330iK
Accesorio de cortasetos HA860	330iK
Equipo de la sierra PA310	330iK
Limpie el accesorio de barredora SR600-2	330iK
Accesorio de cepillo de cerdas BR600	330iK
Accesorio de escarificador DT600	330iK
Accesorio de cultivadora CA230	330iK
Kit de cuchilla para césped 535610301	330iKL

Table des matières

Introduction.....	50	Dépannage.....	71
Sécurité.....	52	Transport, entreposage et mise au rebut.....	72
Montage.....	63	Caractéristiques techniques.....	73
Fonctionnement.....	64	Accessoires.....	74
Entretien.....	67		

Introduction

Description du produit

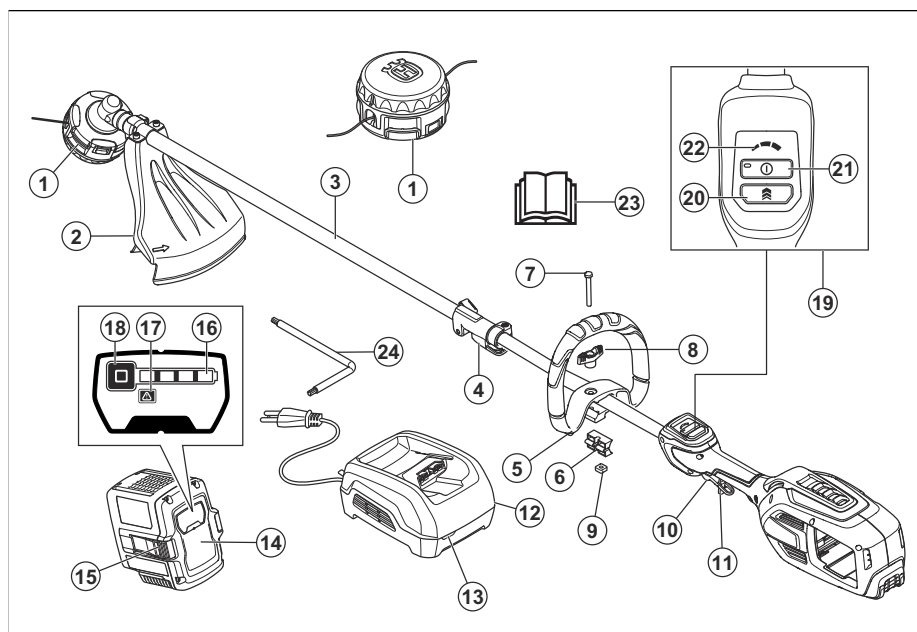
L'outil Husqvarna 330iKL est une débroussailluse à batterie avec moteur électrique.

Remarque : Les réglementations nationales peuvent limiter l'utilisation du produit.

Utilisation prévue

Le produit est utilisé avec une tête de coupe pour couper l'herbe. Ne pas utiliser le produit pour des tâches autres que la coupe d'herbe.

Présentation de l'appareil



1. Tête de désherbage
2. Dispositif de protection de l'outil de coupe
3. Arbre
4. Raccord de l'arbre
5. Poignée en boucle
6. Entretoise

7. Vis
8. Bouton
9. Écrou
10. Gâchette
11. Mécanisme de verrouillage de la gâchette

12. Chargeur de batterie (inclus dans la trousse seulement)
13. Témoin de marche et d'avertissement (témoin d'erreur)
14. Batterie (incluse dans la trousse seulement)
15. Boutons de déverrouillage de la batterie
16. État de la batterie
17. Indicateur d'avertissement (témoin d'erreur)
18. Bouton indicateur de la batterie
19. Clavier
20. Bouton de mode de vitesse
21. Bouton d'alimentation
22. Affichage du mode de vitesse
23. Manuel de l'opérateur
24. Clé étoile

Symboles figurant sur le produit



AVERTISSEMENT! Faire attention et utiliser le produit correctement. Cet outil peut causer des blessures graves, ou même mortelles, à l'utilisateur et à d'autres personnes.



Lire soigneusement le manuel d'instructions et veiller à bien comprendre les directives avant d'utiliser cette machine.



Utiliser des gants de protection homologués.



Utiliser des bottes antidérapantes robustes.



Toujours porter des protecteurs d'oreille homologués et des lunettes de protection ou une visière. Utiliser un masque respiratoire dans les environnements poussiéreux.



Garder les cheveux au-dessus des épaules.



Utiliser uniquement une tête de désherbage, une bobine et du fil coupe-herbe recommandés. Ne pas utiliser de lames.



L'appareil peut projeter des objets, ce qui peut causer des blessures.



Vitesse de rotation maximale de l'arbre de sortie.



Tenir les personnes et les animaux à une distance minimale de 15 m / 50 pi pendant l'utilisation de l'appareil.



Débrancher la batterie avant l'entretien.



Garder le produit à l'écart de l'eau et de la pluie.



Le produit ou l'emballage du produit n'est pas un déchet domestique. Recycler dans un centre de recyclage pour équipements électriques et électroniques.

yywwxxxxxx

La plaque signalétique indique le numéro de série où **yy** représente l'année de production, **ww** la semaine de production et **xxxxxx** le numéro séquentiel.

Symboles sur le chargeur de batterie



Faire attention et utiliser le produit correctement. Cet outil peut causer des blessures graves, ou même mortelles, à l'utilisateur et à d'autres personnes.



Lire soigneusement le manuel d'instructions et veiller à bien comprendre les directives avant d'utiliser cette machine.



Garder le produit à l'écart de l'eau et de la pluie.



Utiliser et garder le chargeur de batterie seulement dans un endroit clos.

Remarque : Les autres symboles et autocollants apposés sur le produit se rapportent aux exigences en matière de certification pour certaines zones commerciales.

Proposition 65 de la Californie

 ATTENTION!
Ce produit contient ou émet un produit chimique qui, d'après l'État de Californie, peuvent causer le cancer, des malformations congénitales ou autre danger pour la reproduction.

Fabricant

Husqvarna Professional Products, Inc 9335 Harris Corners Pkwy, Charlotte, NC 28269, USA

Produit endommagé

Nous ne sommes pas responsables des dommages causés à notre produit si :

- Le produit n'est pas réparé de façon adéquate.
- Le produit est réparé avec des pièces qui ne sont pas fournies ou homologuées par le fabricant.
- Le produit comprend un accessoire qui n'est pas fourni ou homologué par le fabricant.
- Le produit n'est pas réparé par un centre de service après-vente agréé ou par une autorité homologuée.

Sécurité

Définitions relatives à la sécurité

Les avertissements, recommandations et remarques soulignent des points du manuel qui revêtent une importance particulière.



AVERTISSEMENT : Indique la présence d'un risque de blessure ou de décès de l'utilisateur ou de personnes à proximité si les instructions du manuel ne sont pas suivies.



MISE EN GARDE : Indique la présence d'un risque de dommages au produit, à d'autres appareils ou à la zone adjacente si les instructions du manuel ne sont pas suivies.

Remarque : Utilisé pour donner des renseignements plus détaillés qui sont nécessaires dans une situation donnée.

IMPORTANTES CONSIGNES DE SÉCURITÉ



AVERTISSEMENT : Lire toutes les instructions et consignes de sécurité. Le non-respect de ces instructions et consignes peut provoquer une électrocution, un incendie et des blessures graves.

Lire toutes les instructions



AVERTISSEMENT : Lors de l'utilisation d'appareils de jardinage, toujours respecter les consignes de sécurité de base afin de réduire le risque d'incendie, de choc électrique et de blessures personnelles, dont les consignes suivantes :

Consignes générales de sécurité relatives aux outils électriques



AVERTISSEMENT : Consulter l'ensemble des avertissements relatifs à la sécurité, des instructions, des illustrations et des spécifications transmis avec cet outil électrique. Le non-respect des instructions indiquées ci-dessous peut provoquer une décharge, un incendie ou des blessures graves.

- **Conserver ces instructions et consignes pour consultation ultérieure.** Dans les avertissements, le terme « outil électrique » fait référence à votre appareil électrique branché sur le secteur ou alimenté par batterie (sans fil).

Sécurité de l'aire de travail

- **Maintenir l'aire de travail propre et bien éclairée.** Les endroits sombres ou encombrés sont propices aux accidents.
- **Ne pas utiliser des outils électriques dans des atmosphères explosives, notamment en présence de liquides, gaz ou poussières inflammables.** Les outils électriques produisent des étincelles qui peuvent enflammer les poussières et les vapeurs.
- **Tenir les enfants et les spectateurs à distance lorsque l'outil électrique est en marche.** Un moment d'inattention pourrait vous en faire perdre le contrôle.

Sécurité personnelle

- **Lors de l'utilisation d'un outil électrique, toujours demeurer attentif et faire preuve de bon sens. Ne pas utiliser l'outil électrique si vous êtes fatigué ou sous l'emprise de drogues, de l'alcool ou de médicaments.** Tout moment d'inattention pendant l'utilisation d'un outil électrique peut causer de graves blessures.
- **Utiliser de l'équipement de protection personnelle. Toujours porter des lunettes de protection.** L'équipement de protection (masque antipoussière, chaussures de sécurité antidérapantes, dispositif de protection pour les oreilles, etc.) utilisé selon les conditions présentes réduit les risques de blessure.

- **Prévenir les démarrages accidentels. Vérifier que l'interrupteur est à la position d'arrêt avant de brancher l'outil dans la prise ou le bloc d'alimentation, de le saisir ou de le transporter.** Le transport des outils électriques en maintenant le doigt sur l'interrupteur d'alimentation et le branchement d'outils alors que l'interrupteur est à la position de marche expose à des accidents.
- **Retirer toute clé ou clavette de réglage avant de mettre l'outil sous tension.** Une clé ou une clavette reliée à une pièce mobile de l'outil électrique peut causer une blessure.
- **Ne pas trop se pencher vers l'avant. Toujours se tenir bien campé et en équilibre.** Cela permet de mieux contrôler l'outil électrique lors d'un imprévu.
- **S'habiller de façon appropriée. Ne jamais porter des vêtements amples ou des bijoux. Garder les cheveux, les vêtements et les gants loin des pièces mobiles.** Les vêtements amples, bijoux et cheveux longs peuvent se prendre dans les pièces en mouvement.
- **Si des dispositifs sont fournis pour raccorder des systèmes de collecte et d'extraction de la poussière, s'assurer que ceux-ci sont utilisés et correctement branchés.** L'utilisation de dépoussiéreurs peut réduire les risques associés à la poussière.
- **Ne pas laisser la parfaite connaissance de l'outil acquise en raison de l'utilisation fréquente de ce dernier engendrer la complaisance et le non-respect des principes de sécurité relatifs à l'outil.** Une négligence peut provoquer de graves blessures en une fraction de seconde.
- Les vibrations produites pendant l'utilisation de l'outil peuvent différer de la valeur totale déclarée, selon la manière dont l'outil est utilisé. L'utilisateur doit déterminer les mesures de sécurité qui sont nécessaires à sa protection sur la base d'une estimation de son exposition dans les conditions d'utilisation réelles (en tenant compte de chaque phase du cycle opératoire, soit lorsque l'outil est éteint, lorsqu'il est utilisé activement et lorsqu'il fonctionne au ralenti).

Utilisation et entretien des outils électriques

- **Ne pas forcer sur l'outil électrique. Utiliser l'outil électrique qui convient au travail à effectuer.** De cette façon, le résultat sera meilleur et le travail sera effectué de façon plus sécuritaire et au régime pour lequel l'outil électrique a été conçu.
- **Ne pas utiliser l'outil électrique si l'interrupteur ne permet pas la mise sous tension et l'arrêt de l'outil.** Tout outil électrique dont l'interrupteur est défectueux représente un danger et doit être réparé.
- **Débrancher la fiche de la source d'alimentation ou retirer le bloc de batteries de l'outil électrique avant de procéder aux réglages, de changer les accessoires ou de ranger l'outil.** Ces mesures de sécurité réduisent le risque de mise sous tension accidentelle.
- **Ranger les outils électriques hors de la portée des enfants et ne pas laisser des personnes qui ne connaissent pas l'outil ou les présentes consignes utiliser celui-ci.** Les outils électriques représentent un danger lorsqu'ils sont entre les mains d'utilisateurs non formés.
- **Entretien des outils électriques et les accessoires. Vérifier l'outil à la recherche de pièces brisées, de mauvais alignement ou de blocage des pièces mobiles et de toute autre situation pouvant nuire au bon fonctionnement de l'outil. Si l'outil est endommagé, il faut le réparer avant de l'utiliser.** De nombreux accidents sont causés par des outils mal entretenus.
- **Maintenir les outils tranchants aiguisés et propres.** Les outils tranchants correctement entretenus dont les bords de coupe sont bien affûtés sont moins susceptibles de se coincer et plus faciles à contrôler.
- **Utiliser l'outil électrique, les accessoires, les forets, etc., conformément aux présentes instructions et en tenant compte des conditions de travail et de la tâche à réaliser.** L'utilisation de l'outil électrique pour des opérations autres que celles pour lesquelles il est prévu peut entraîner des dangers.
- **Garder les poignées et les surfaces de préhension sèches, propres et exemptes d'huile et de graisse.** Les poignées et les surfaces de préhension glissantes ne

permettent pas de manipuler l'outil de manière sécuritaire, ni d'en conserver le contrôle lorsqu'une situation inattendue se présente.

Utilisation et entretien des outils électriques à batteries

- **Ne recharger qu'avec le chargeur indiqué par le fabricant.** Un chargeur convenant à un type de bloc de batteries particulier peut entraîner un risque d'incendie s'il est utilisé avec un autre bloc de batteries.
- **N'utiliser des outils électriques qu'avec les blocs de batteries spécifiquement indiqués.** L'utilisation d'autres groupes de batteries peut entraîner un risque de blessure et d'incendie.
- **Lorsqu'on n'utilise pas le bloc de batteries, le tenir à l'écart d'objets métalliques, tels que les trombones, pièces de monnaie, clés, clous, vis ou autres petits objets en métal, qui peuvent établir une connexion entre les bornes.** La mise en court-circuit des bornes de la batterie peut provoquer des brûlures ou un incendie.
- **Une utilisation abusive peut laisser s'échapper du liquide de la batterie; éviter tout contact. En cas de contact accidentel, rincer abondamment à l'eau. Si du liquide entre en contact avec les yeux, consulter en outre un médecin immédiatement.** Le liquide échappé de la batterie peut provoquer des irritations ou des brûlures.
- **Ne pas utiliser un bloc de batteries ou un outil défectueux ou modifié.** Les batteries endommagées ou modifiées peuvent se comporter de manière inattendue et provoquer un incendie, une explosion ou des blessures potentielles.
- **Ne pas exposer un bloc de batteries ou l'outil au feu ou à une température excessive.** Une exposition au feu ou à une température supérieure à 130 °C/265 °F peut provoquer une explosion.
- **Suivre toutes les instructions de charge et ne pas charger la batterie ou l'outil en dehors de la plage de températures spécifiée dans les instructions.** Charge incorrectement ou à des températures en dehors de la plage spécifiée peut endommager la batterie et augmenter les risques d'incendie.

Réparations

- **Faire entretenir votre outil électrique par un technicien qualifié et utiliser uniquement des pièces de rechange identiques aux pièces d'origine.** L'entretien adéquat de l'outil permet une utilisation plus sécuritaire.
- **Ne jamais tenter de réparer un bloc de batteries endommagé.** La réparation des blocs de batteries ne devrait être effectuée que par le fabricant ou les fournisseurs de service autorisés.

Avertissements de sécurité relatifs au coupe-herbe et au taille-bordures

- **Ne pas utiliser la machine lorsque les conditions météo sont mauvaises en particulier s'il y a risque d'éclairs.** pour ne pas courir le risque d'être foudroyé.
- **Inspecter soigneusement la zone d'utilisation de la machine à la recherche de petits animaux.** Les animaux peuvent être blessés par la machine pendant l'utilisation.
- **Inspecter minutieusement la zone d'utilisation du produit et retirer les pierres, les bâtons, les fils, les os et tout autre objet.** La projection d'objets peut causer des blessures.
- **Avant d'utiliser la machine, toujours inspecter visuellement pour s'assurer que la lame et l'ensemble de coupe ne sont pas endommagés.** Les pièces endommagées augmentent le risque de blessures.
- **Avant l'utilisation, vérifiez si le cordon d'alimentation et les rallonges sont endommagés ou trop vieux. Ne pas utiliser la machine si le cordon est endommagé ou usé.** Si le cordon est endommagé ou usé pendant l'utilisation, éteindre la machine et ne pas toucher au cordon avant d'avoir débranché l'alimentation. Un cordon ou une rallonge endommagés peut causer une décharge électrique, un incendie ou des blessures graves.
- **Maintenir les dispositifs de protection en place. Les dispositifs de protection doivent être en bon état d'utilisation et être montés correctement.** Un dispositif de protection desserré, endommagé ou défectueux peut entraîner des blessures.
- **Garder toutes les entrées d'air de refroidissement exemptes de débris.** Des

entrées d'air obstruées et des débris peuvent entraîner une surchauffe ou un risque d'incendie.

- **Porter des protections pour les yeux et pour les oreilles.** Un équipement de protection adéquat réduit le risque de blessures.
- **Lorsque vous utilisez la machine, portez toujours des chaussures de protection antidérapantes. N'utilisez pas la machine si vous êtes pieds nus ou si vous portez des sandales ouvertes.** Cela augmenterait le risque de blessure aux pieds causée par la lame en mouvement.
- **Portez toujours des vêtements tels que des pantalons qui recouvrent les jambes de l'opérateur pendant l'utilisation de la machine.** Tout contact avec la lame ou le fil en mouvement peut causer des blessures.
- **Tenir les passants éloignés lorsque vous utilisez la machine.** La projection de débris peut causer de graves blessures.
- **N'utilisez pas la machine au-dessus de la hauteur de la taille.** De cette façon, le risque de contact accidentel sera réduit et il sera plus facile de contrôler la machine dans des situations imprévues.
- **Faire preuve de prudence lors de l'utilisation de la machine dans l'herbe humide. Toujours marcher, ne jamais courir.** Cela réduit le risque de glisser et de tomber, ce qui peut entraîner des blessures.
- **N'utilisez pas la machine sur un terrain en pente très abrupte.** Cela augmenterait le risque de perte de contrôle, de glissement et de chute pouvant entraîner des blessures.
- **Lorsque vous travaillez sur un terrain en pente, assurez-vous toujours de vos appuis, de toujours travailler perpendiculairement à la pente, de ne jamais monter ou descendre et faites preuve d'une extrême prudence lorsque vous changez de direction.** Cela augmenterait le risque de perte de contrôle, de glissement et de chute pouvant entraîner des blessures.
- **Maintenir tous les câbles et cordons d'alimentation à l'écart de la zone de coupe.** Les broussailles et buissons pourraient dissimuler des câbles ou des

cordons d'alimentation susceptibles d'être accidentellement sectionnés par la lame.

- **Tenir la lame ou le fil de coupe éloigné de toute partie du corps. Ne pas dégager le matériel de la machine avant qu'elle n'ait été débranchée de la source d'alimentation.** La lame ou le fil de coupe en mouvement peut causer des blessures graves.
- **Transporter la machine éteinte et éloignée de votre corps.** Une manipulation adéquate de la machine réduit le risque de contact accidentel avec la lame ou le fil de coupe en mouvement.
- **N'utilisez que les têtes de coupe, les lames et les fils de coupe de rechange spécifiés par le fabricant. Ne pas remplacer la lame ou le fil de coupe par une lame ou un fil en métal.** Des pièces de rechange inappropriées peuvent entraîner une perte de contrôle, un bris ou des blessures.

Toujours faire preuve de bon sens.

Il n'est pas possible de couvrir toutes les situations imaginables qui pourraient se produire. Toujours faire preuve d'attention et de bon sens. Éviter toutes les situations qui vous semblent difficiles. En cas d'incertitude au sujet des procédures d'utilisation après avoir lu ces instructions, consulter un expert avant de continuer.



AVERTISSEMENT : Ne jamais laisser des enfants utiliser l'appareil ou se tenir à proximité de celui-ci. L'appareil étant facile à démarrer, les enfants peuvent le faire démarrer s'ils sont laissés sans surveillance. Cela peut entraîner un risque de blessure grave. Par conséquent, débrancher la batterie lorsque l'appareil n'est pas sous surveillance.

Consignes générales de sécurité



AVERTISSEMENT : Lire les messages d'avertissement qui suivent avant d'utiliser le produit.

- Retirer la batterie afin d'éviter le démarrage accidentel de l'appareil.
- Ce produit est un outil dangereux s'il est utilisé de façon insouciance ou inappropriée. Cet outil peut causer des

blessures graves, ou même mortelles, à l'utilisateur et à d'autres personnes.

- Ne pas utiliser l'outil si des modifications contraires à ses caractéristiques initiales y ont été apportées. Ne pas modifier une partie de l'outil sans l'approbation du fabricant. Utiliser seulement des pièces homologuées par le fabricant. Des blessures graves ou mortelles peuvent résulter d'un entretien non adéquat.
- Vérifier le produit avant son utilisation. Se reporter à *Dispositifs de sécurité sur le produit à la page 59* et *Entretien à la page 67*. Ne pas utiliser le produit s'il est endommagé ou ne fonctionne pas correctement. Effectuer les vérifications de sécurité, de maintenance et d'entretien conformément aux instructions fournies dans ce manuel.
- Les enfants doivent être supervisés afin de s'assurer qu'ils ne jouent pas avec l'outil. Ne jamais laisser des enfants ni des personnes n'ayant pas été formées à l'utilisation de l'appareil ou de sa batterie utiliser ou entretenir l'appareil. La réglementation locale peut fixer l'âge de l'utilisateur.
- Garder le produit dans un endroit verrouillé hors de portée des enfants et des personnes non autorisées.
- Entreposer le produit hors de portée des enfants.
- Votre garantie ne couvre pas les dommages ou la responsabilité causés par l'utilisation d'accessoires ou de pièces de rechange non autorisés.
- La conception du produit ne peut en aucun cas être modifiée sans l'autorisation du fabricant. Toujours utiliser des accessoires d'origine. Les modifications et les accessoires non autorisés peuvent entraîner des blessures graves ou la mort de l'opérateur et d'autres personnes.

Remarque : Des lois nationales ou locales peuvent réglementer l'utilisation. Respecter les réglementations en vigueur.

Instructions de sécurité pour l'utilisation



AVERTISSEMENT : Lire les messages d'avertissement qui suivent avant d'utiliser le produit.

- Il est recommandé de consulter un expert en cas de doute. Communiquer avec votre concessionnaire ou votre atelier d'entretien. Éviter toutes les utilisations qui vous semblent difficiles.
- Ne jamais utiliser l'appareil si vous êtes fatigué ou sous l'emprise de drogues, de l'alcool, de médicaments ou de toute substance qui pourrait affecter la vision, l'attention, la coordination des gestes ou le jugement.
- Un outil de coupe inadéquat peut accroître le risque d'accident.
- Ne pas laisser des enfants utiliser l'appareil ou se tenir à proximité de celui-ci. Le produit étant facile à démarrer, les enfants peuvent le faire démarrer s'ils sont laissés sans surveillance. Cela peut entraîner un risque de blessure grave. Débrancher la batterie lorsque l'appareil n'est pas sous surveillance.
- S'assurer qu'aucune personne ni aucun animal ne s'approche à moins de 15 m (50 pi) pendant le travail. Lorsque plusieurs utilisateurs travaillent dans la même zone, la distance de sécurité doit être d'au moins 15 m (50 pi). Le non-respect de cette directive peut entraîner de graves blessures. Arrêter l'appareil immédiatement si une personne s'approche. Ne jamais entamer un mouvement de balancement avec l'appareil sans d'abord jeter un coup d'œil derrière pour s'assurer que personne ne se trouve dans la zone de sécurité.
- S'assurer qu'aucune personne ni aucun animal ou objet ne gêne le contrôle de l'appareil ou n'entre en contact avec l'outil de coupe ou des objets projetés par l'outil de coupe. Ne pas utiliser l'appareil s'il est impossible d'appeler de l'aide en cas d'accident.
- Toujours inspecter l'aire de travail. Retirer tous les objets mobiles tels que les pierres, le verre cassé, les clous, les fils de fer, les cordes, etc. qui pourraient être projetés ou s'enrouler autour de l'outil de coupe.
- S'assurer qu'il est possible de se déplacer et de se tenir debout en toute sécurité. Repérer les obstacles éventuels (racines, roches, branches, fossés, etc.) en cas de déplacement imprévu. Faire très attention lors du travail sur une pente.
- Se tenir bien campé et en parfait équilibre. Ne pas trop se pencher vers l'avant.
- Mettre l'appareil hors tension avant de passer à une autre zone.
- Ne jamais déposer l'appareil sans le mettre hors tension et retirer la batterie. Ne pas laisser l'appareil sans surveillance quand il est sous tension.
- Retirer la batterie avant de passer l'appareil à une autre personne.
- S'assurer qu'aucun vêtement ni aucune partie du corps n'entre en contact avec l'outil de coupe lorsque l'appareil est sous tension. Tenir l'appareil sous le niveau de la taille.
- Si un objet se bloque dans l'outil de coupe alors que l'appareil est utilisé, arrêter l'appareil et le mettre hors tension. Vérifier que l'outil de coupe s'est immobilisé. Retirer la batterie avant de nettoyer, inspecter ou réparer l'appareil ou l'outil de coupe. Il existe un risque de brûlure sur le carter qui peut devenir très chaud. Porter des gants lors du travail avec la tête de désherbage.
- Lors de la mise hors tension de l'appareil, garder les mains et les pieds à l'écart de l'outil de coupe jusqu'à l'immobilisation de celui-ci.
- Prendre garde aux éclats de bois qui peuvent être projetés lors de la coupe. Ne pas couper trop près du sol; des pierres ou d'autres objets pourraient d'être projetés.
- Faire preuve de prudence à l'égard des projections d'objets. Toujours porter des lunettes de protection homologuées. Ne jamais se pencher au-dessus du dispositif de protection de l'outil de coupe. Des pierres, des débris, etc. peuvent être projetés dans vos yeux, ce qui peut causer la cécité ou des blessures graves.
- Rester attentif aux appels ou cris d'avertissement lors de l'utilisation des protecteurs d'oreilles. Toujours retirer le dispositif de protection pour les oreilles dès que l'appareil s'arrête.
- Ne jamais travailler debout sur une échelle, un tabouret, ou dans une autre position élevée n'offrant pas une sécurité maximale.
- Si une vibration inhabituelle survient, dérouler le fil pour qu'il soit à la bonne longueur et que la vibration cesse.
- Une surexposition aux vibrations peut entraîner des problèmes circulatoires ou des troubles nerveux, en particulier

chez les personnes ayant des troubles circulatoires. Parler à un médecin en cas de symptômes liés à une surexposition aux vibrations. Voici certains de ces symptômes : engourdissement, perte de sensibilité, fourmillement, picotement, douleur, faiblesse musculaire, décoloration ou modification de l'épiderme. Ces symptômes apparaissent habituellement aux doigts, aux mains et aux poignets.

- Toujours tenir l'appareil des deux mains. Tenir l'appareil sur le côté droit du corps.
- Ne pas retirer l'herbe coupée ou laisser d'autres personnes retirer l'herbe coupée lorsque le moteur est en marche ou que l'outil de coupe tourne, car il peut en résulter des blessures graves.
- Toujours arrêter le moteur, retirer la batterie et s'assurer que l'outil de coupe ne tourne pas avant de retirer les matériaux indésirables enroulés autour de l'arbre ou coincés entre le dispositif de protection et l'outil de coupe.
- Ce produit génère un champ électromagnétique pendant le fonctionnement. Ce champ magnétique peut, dans certains cas, nuire aux implants médicaux actifs ou passifs. Pour réduire le risque de blessures graves ou mortelles, nous recommandons aux personnes ayant des implants médicaux de consulter leur médecin et le fabricant de l'implant médical avant d'utiliser la machine.
- Relâcher la gâchette de puissance après chaque opération de travail afin de préserver la charge de la batterie.
- Ne pas forcer le produit. Il offre de meilleurs résultats et le travail est effectué de façon plus sécuritaire s'il tourne au régime pour lequel il a été conçu.
- Si le produit touche un objet étranger quelconque ou produit des vibrations, l'arrêter immédiatement. Retirer la batterie du produit et vérifier que le produit n'est pas endommagé.

Équipement de protection personnelle



AVERTISSEMENT : Lire les messages d'avertissement qui suivent avant d'utiliser le produit.

- Toujours utiliser un équipement de protection personnelle homologué lors de l'utilisation de l'appareil. Cet équipement

de protection personnelle n'élimine pas complètement les risques de blessures, mais il peut en réduire la gravité en cas d'accident. Laisser le concessionnaire aider à sélectionner l'équipement adéquat.

- Porter un casque de protection en cas de risque de chute d'objets.
- L'exposition prolongée au bruit peut causer des lésions auditives. En règle générale, les outils alimentés par batterie sont relativement silencieux, mais peuvent tout de même causer des lésions auditives en raison d'une combinaison de niveau sonore et d'un usage prolongé. Husqvarna recommande aux utilisateurs d'utiliser des protecteurs d'oreille lors de l'utilisation des produits pendant des périodes prolongées dans une journée. Les utilisateurs permanents et réguliers doivent faire vérifier régulièrement leur ouïe.



AVERTISSEMENT : Les protecteurs d'oreille limitent la capacité d'entendre les sons et les signaux d'avertissement.

- Utiliser un dispositif de protection homologué pour les yeux. Porter également des lunettes de protection homologuées en cas d'utilisation d'une visière. Les lunettes de protection homologuées doivent être conformes à la norme ANSI Z87.1 aux États-Unis ou à la norme EN 166 dans les pays de l'Union européenne.
- Utiliser une visière pour protéger le visage. La visière n'est pas suffisante pour protéger les yeux.

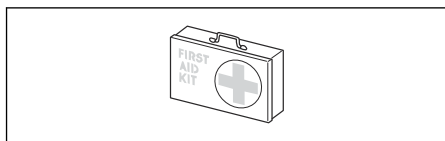


- Utiliser des gants au besoin, par exemple lors de la fixation, de l'examen ou du nettoyage de l'outil de coupe.
- Porter des bottes ou chaussures antidérapantes robustes.
- Utiliser des vêtements faits de tissus résistants. Toujours utiliser des pantalons longs et lourds et des manches longues. Ne pas porter des vêtements amples qui peuvent se prendre dans les broussailles

et les branches. Ne pas porter des bijoux, des pantalons courts, des sandales et ne pas marcher pieds nus. Garder les cheveux au-dessus des épaules.



- Garder une trousse de premiers soins à portée de main.



Outil de coupe



AVERTISSEMENT : Retirer la batterie et vérifier que l'outil de coupe est immobilisé avant de travailler sur toute partie de l'outil de coupe.



AVERTISSEMENT : Utiliser l'outil de coupe uniquement si tous les dispositifs de protection sont en place *Accessoires à la page 74*.

Tête de coupe

- Utilisez toujours la tête de désherbage et l'équipement de coupe appropriés ainsi que le fil de coupe recommandé. Se reporter à *Accessoires à la page 74* et son ensemble à la fin du manuel.
- Vérifier que le couteau monté sur le carter de protection n'est pas endommagé.
- Vérifier que le fil de coupe est enroulé serré et de manière égale autour du tambour afin de prévenir les vibrations inhabituelles. Les longueurs de fil différentes peuvent engendrer des vibrations non nécessaires. Appuyez sur la tête de désherbage pour obtenir la bonne longueur de fil.

Dispositifs de sécurité sur le produit



AVERTISSEMENT : Lire les messages d'avertissement qui suivent avant d'utiliser le produit.

Cette section décrit l'équipement de sécurité du produit, son but et la façon d'en effectuer les inspections et l'entretien afin de s'assurer qu'il fonctionne correctement. Consulter les instructions sous la rubrique *Présentation de l'appareil à la page 50* pour trouver où ces pièces se trouvent sur votre produit.

La durée de vie du produit peut être réduite et le risque d'accident peut augmenter si l'entretien de la machine n'est pas effectué correctement et si l'entretien ou les réparations ne sont pas effectués de façon professionnelle. Pour obtenir de plus amples informations, communiquer avec le concessionnaire le plus proche.



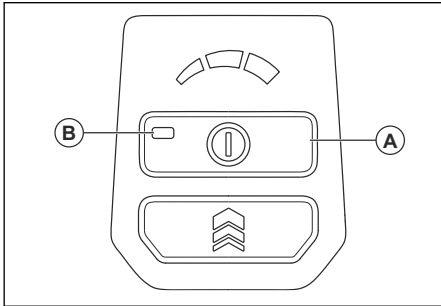
AVERTISSEMENT : Ne jamais utiliser un produit dont les composants de sécurité sont endommagés. L'équipement de sécurité du produit doit être inspecté et entretenu selon les directives de la présente section. Si une inspection de la machine détecte une panne, communiquer avec un atelier spécialisé pour réparation.



MISE EN GARDE : Tous les travaux de réparation nécessitent une formation spéciale. Ceci concerne particulièrement l'équipement de sécurité de la machine. Si les contrôles suivants ne donnent pas un résultat positif, vous devez communiquer avec un atelier spécialisé. L'achat de l'un de nos produits offre à l'acheteur la garantie d'un service et de réparations qualifiés. Si le détaillant qui vous a vendu la machine n'est pas un centre de service agréé, demandez-lui l'adresse de l'atelier spécialisé le plus proche.

Vérification du clavier

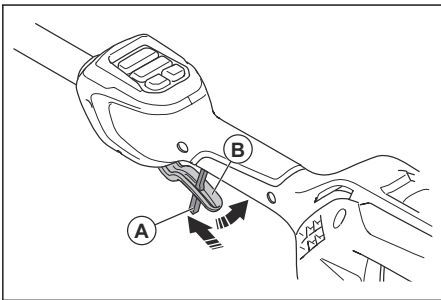
- Maintenir enfoncé le bouton d'alimentation (A).



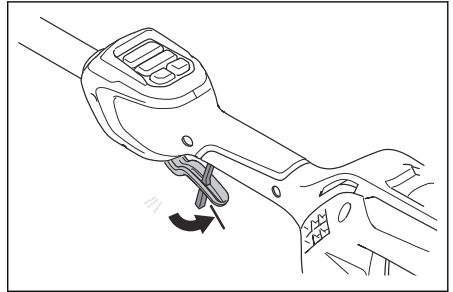
- a) Quand le produit est sous tension, le témoin à DEL (B) s'allume.
- b) Quand le produit est hors tension, le témoin à DEL (B) s'éteint.

Vérification du verrouillage de la gâchette

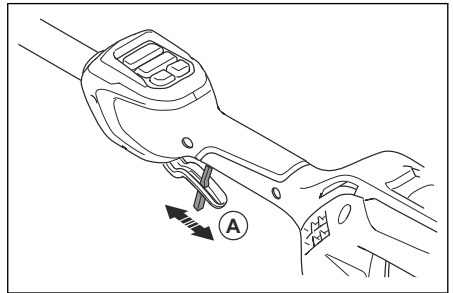
Le mécanisme de verrouillage de la gâchette empêche toute mise en marche accidentelle. Pousser vers l'avant le mécanisme de verrouillage (A) libère la gâchette (B). Quand la poignée est relâchée, la gâchette de puissance et son mécanisme de verrouillage retournent à leur position initiale.



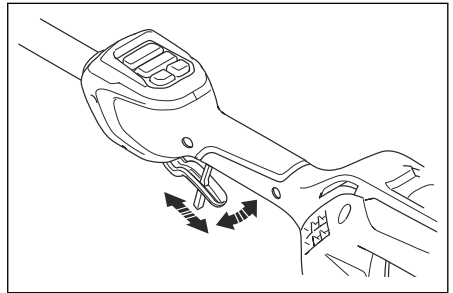
1. Vérifier que la gâchette est verrouillée quand le bouton de verrouillage est à sa position initiale.



2. Pousser le mécanisme de verrouillage de la gâchette (A) vers l'avant. S'assurer que le tout revient à sa position initiale lorsqu'il est relâché.



3. Vérifier que la gâchette de puissance et le mécanisme de verrouillage de la gâchette bougent librement et que le ressort de rappel fonctionne correctement.



4. Démarrer l'outil. Se reporter à la section *Mise sous tension de l'appareil* à la page 65.
5. Faire tourner le moteur à plein régime.
6. Relâcher la gâchette de puissance et s'assurer que l'outil de coupe s'arrête complètement.

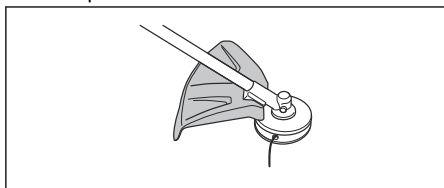
Vérification du dispositif de protection de l'outil de coupe



AVERTISSEMENT : Ne pas utiliser un outil de coupe dépourvu du dispositif de protection homologué correctement fixé. Toujours utiliser le dispositif de protection recommandé pour l'outil de coupe utilisé. Voir *Accessoires à la page 74*. L'utilisation d'un dispositif de protection défectueux ou inapproprié peut causer des blessures graves.

Le dispositif de protection de l'outil de coupe arrête les objets projetés en direction de l'opérateur. Il empêche également de subir des blessures en cas de contact avec l'outil de coupe.

1. Couper le moteur.
2. Effectuer une inspection visuelle pour détecter d'éventuels dommages, par exemple des fissures.



3. Remplacer le dispositif de protection de l'outil de coupe s'il est endommagé.

Sécurité en matière de batteries



AVERTISSEMENT : Lire les messages d'avertissement qui suivent avant d'utiliser le produit.

- Utiliser seulement une batterie Husqvarna rechargeable approuvée. Se reporter à *Caractéristiques techniques à la page 73*. La batterie est un logiciel crypté.
- Utiliser la batterie Husqvarna qui est rechargeable en tant que source d'alimentation pour les produits Husqvarna connexes seulement. Pour éviter les blessures, ne pas utiliser la batterie en tant que source d'alimentation pour d'autres appareils.
- Risque de choc électrique. Ne pas raccorder les bornes de la batterie à des clés, des pièces de monnaie, des vis ou

tout autre élément métallique. Cela peut provoquer un court-circuit de la batterie.

- Ne pas utiliser des batteries non rechargeables.
- Ne pas placer d'objet dans les fentes de ventilation de la batterie.
- Maintenir la batterie à l'écart de la lumière du soleil, de la chaleur et des flammes nues. La batterie peut causer des brûlures et/ou des brûlures chimiques.
- Garder la batterie à l'écart des micro-ondes et des pressions élevées.
- Ne pas essayer de démonter ou de briser la batterie.
- S'il y a une fuite au niveau de la batterie, ne pas laisser le liquide toucher la peau ou les yeux. Si on touche le liquide, nettoyer la zone avec une grande quantité d'eau et de savon et consulter un médecin. Si le liquide entre en contact avec les yeux, ne pas les frotter; mais les rincer avec de l'eau pendant au moins 15 minutes et consulter un médecin.
- Utiliser la batterie à des températures comprises entre 14°F (-10°C) et 104°F (40°C).
- Ne pas nettoyer la batterie ou le chargeur de batterie avec de l'eau. Se reporter à *Pour nettoyer le produit, la batterie et le chargeur de batterie. à la page 68*.
- Ne pas utiliser une batterie endommagée.
- Entreposer les batteries à l'écart des objets métalliques tels que les clous, les vis ou les bijoux.
- Maintenir la batterie à l'écart des enfants.

Sécurité du chargeur de batteries



AVERTISSEMENT : Lire les messages d'avertissement qui suivent avant d'utiliser le produit.

- Risque de décharge électrique et de court-circuit si les consignes de sécurité ne sont pas suivies.
- Utiliser une prise secteur mise à la terre approuvée qui n'est pas endommagée.
- N'utiliser que des chargeurs de marque Husqvarna.
- Ne pas essayer de démonter le chargeur de batterie.
- Ne pas soulever le chargeur de batterie au moyen du cordon d'alimentation. Pour débrancher le chargeur de batteries de la

- prise murale, tirer la fiche. Ne pas tirer le cordon d'alimentation.
- Tenir les câbles et les rallonges à l'abri de l'eau, de l'huile et des arêtes coupantes. S'assurer que le câble n'est pas coincé entre des objets, par exemple les portes, les barrières ou quoique ce soit de semblable.
 - Ne pas utiliser le chargeur de batterie à proximité de matériaux inflammables ou de matériaux qui peuvent engendrer une corrosion. S'assurer que le chargeur de batterie n'est pas couvert. Débrancher la prise du chargeur de batterie en cas de fumée ou d'incendie.
 - Recharger la batterie seulement dans un endroit clos avec une bonne ventilation et à l'écart de la lumière. Ne pas charger la batterie à l'extérieur. Ne pas charger la batterie dans des conditions humides.
 - Utiliser uniquement le chargeur de batterie à des températures comprises entre 41°F (5°C) et 104°F (40°C). Utiliser le chargeur dans un environnement bien ventilé, sec et exempt de poussières.
 - Ne pas placer d'objet dans les fentes de refroidissement du chargeur de batterie.
 - Ne pas raccorder les bornes du chargeur de batterie aux objets métalliques, car cela peut court-circuiter le chargeur de batterie.
 - Utiliser des prises murales approuvées qui ne sont pas endommagées. Vérifier que le cordon du chargeur de batterie n'est pas endommagé. Si les câbles de rallonge sont utilisés, s'assurer qu'ils sont en bon état.
 - Utiliser un dispositif de protection contre les courants résiduels (RCD) pour accroître la sécurité. Un dispositif de protection contre les courants résiduels est prévu pour protéger les utilisateurs en cas de panne électrique.
 - Utiliser des prises murales approuvées qui ne sont pas endommagées.
 - Vérifier régulièrement que le cordon d'alimentation n'est pas endommagé. Débrancher immédiatement le chargeur de batterie si le cordon d'alimentation est endommagé.
 - Remplacer le cordon d'alimentation s'il est endommagé.
 - Maintenir le chargeur de batterie à l'écart des enfants.

- Ne pas utiliser un chargeur de batterie s'il est endommagé ou ne fonctionne pas correctement.
- Ne pas utiliser le chargeur de batterie en cas de risque de foudre.
- Ne pas manipuler le chargeur de batterie avec les mains humides.
- Cette machine peut être utilisée par des enfants âgés de 8 ans et plus, des personnes à capacités physique, mentale ou sensorielle réduites, ou des personnes avec un manque d'expérience et de connaissances s'ils sont supervisés ou s'ils ont reçu des instructions concernant l'utilisation de l'appareil de manière sécuritaire et s'ils comprennent les risques impliqués. Les enfants ne doivent pas jouer avec l'appareil. Le nettoyage et l'entretien ne doivent pas être effectués par un enfant sans supervision.

Consignes de sécurité pour la maintenance



AVERTISSEMENT : Lire les messages d'avertissement qui suivent avant de procéder à l'entretien du produit.

- Retirer la batterie avant d'effectuer l'entretien, de procéder à d'autres contrôles ou d'assembler le produit.
- L'opérateur ne doit effectuer que les travaux de réparation et d'entretien décrits dans ce manuel d'utilisation. Se rendre dans le centre de service agréé pour les travaux de réparation ou d'entretien plus importants.
- Ne pas nettoyer la batterie ou le chargeur de batterie avec de l'eau. Les détergents puissants peuvent endommager le plastique.
- En absence d'entretien, cela réduit la durée de vie du produit et augmente le risque d'accidents.
- Une formation spécifique est nécessaire pour tous les travaux d'entretien et de réparation, en particulier pour les dispositifs de sécurité sur le produit. Si toutes les vérifications indiquées dans ce manuel d'utilisation ne sont pas homologuées une fois l'entretien effectué, se rendre dans le centre de service La disponibilité des réparations et des entretiens effectués de façon

professionnelle est garantie pour votre produit.

- Utiliser des pièces de rechange d'origine.
- N'importe quel établissement ou agent de réparation de moteur non routier peut effectuer l'entretien, le remplacement et la

réparation des dispositifs et du système de contrôle des émissions.

CONSERVER CES INSTRUCTIONS

Montage

Introduction

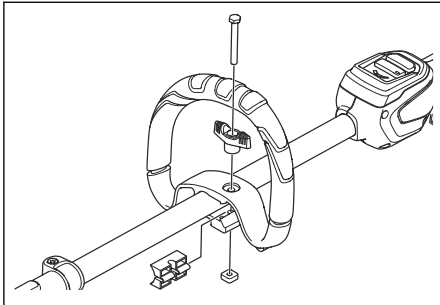
Cette section décrit la procédure à suivre pour monter et régler le produit.



AVERTISSEMENT : Avant de procéder au montage du produit, veuillez lire le chapitre sur la sécurité et les instructions de montage.

Pour monter la poignée en boucle

1. Fixer le guidon en boucle sur l'arbre entre les flèches.

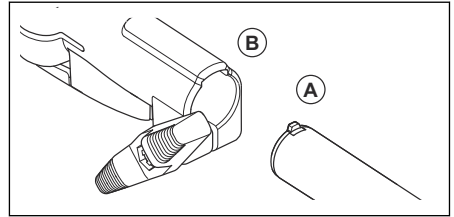


2. Déplacer l'entretoise dans la fente du guidon en boucle.
3. Installer la vis et le bouton. Ne pas trop serrer.
4. Régler la poignée en boucle à une position adéquate.
5. Serrer le bouton.

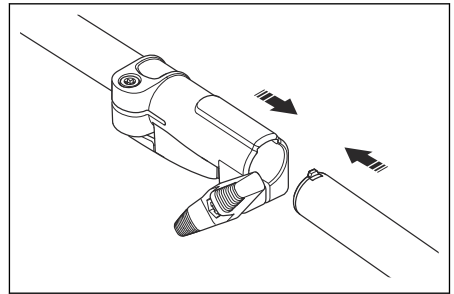
Pour assembler l'arbre en deux pièces

1. Tourner le bouton pour desserrer le raccord.

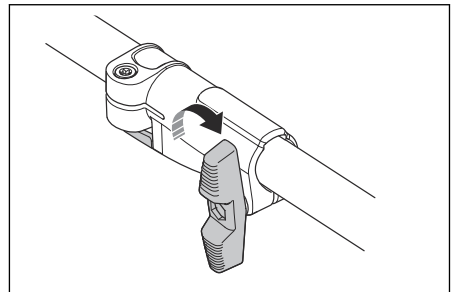
2. Aligner la languette de l'équipement de coupe (A) avec l'encoche figurant sur le raccord (B).



3. Pousser avec précaution l'arbre dans le raccord jusqu'à entendre un déclic.

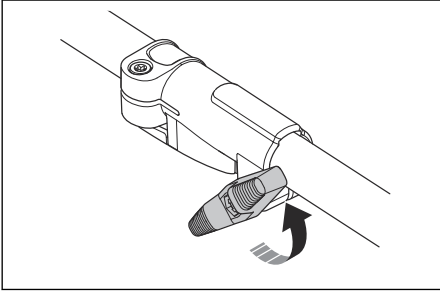


4. Serrer le bouton à fond.

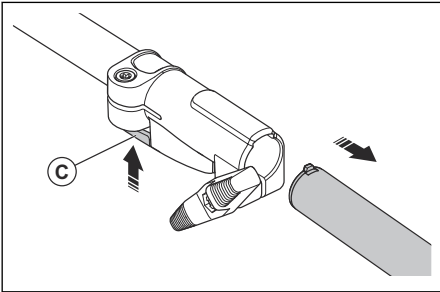


Pour démonter l'arbre en deux pièces

1. Tourner le bouton de 3 tours ou plus pour desserrer le raccord.

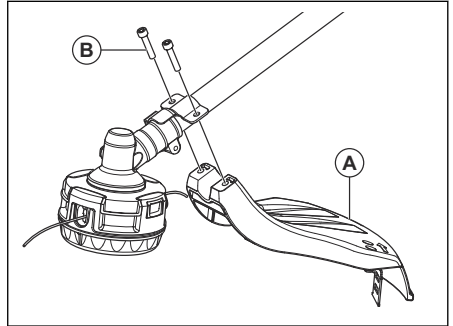


2. Appuyer longuement sur le bouton (C).
3. Tenir fermement l'extrémité de l'arbre rattachée au moteur.
4. Tirer l'outil bien droit pour l'extraire du raccord.



Pour installer la protection de l'outil de coupe

1. Fixer le dispositif approprié de protection de l'équipement de coupe (A) pour la tête de désherbage. Se reporter à *Accessoires à la page 74*.
2. Placer le dispositif de protection de l'outil de coupe sur le support de l'arbre.
3. Fixer le dispositif de protection de l'équipement de coupe au moyen des boulons (B).



Fonctionnement

Introduction



AVERTISSEMENT : Lire et comprendre le chapitre sur la sécurité avant d'utiliser le produit.

Avant d'utiliser le produit

- Examiner la zone de travail pour s'assurer de connaître le type de terrain. Examiner l'inclinaison du sol et s'il y a des obstacles tels que des pierres, des branches et des fossés.
- Effectuer une inspection générale du produit.
- Effectuer les inspections de sécurité, les réparations et l'entretien indiqués dans ce manuel.
- Vérifier le moteur pour y déceler de la saleté ou des fissures. À l'aide d'une brosse, retirer l'herbe et les feuilles du moteur. Porter des gants lorsque c'est nécessaire.
- Examiner la tête de désherbage et le dispositif de protection de l'outil de coupe pour détecter d'éventuels dommages ou fissures. Remplacer la tête de désherbage et le dispositif de protection de l'équipement de coupe s'ils ont subi des chocs ou s'ils présentent des fissures.
- Assurez-vous que l'ensemble des vis et des écrous sont bien serrés.
- S'assurer que l'ensemble des couvercles, des protections, des poignées et des équipements de coupe sont correctement fixés et en bon état avant de démarrer le produit.

Pour brancher le chargeur de batterie



AVERTISSEMENT : Utiliser uniquement le chargeur de batterie à des températures ambiantes comprises entre 41°F (5°C) et 104°F (40°C).

1. Brancher le chargeur de batterie à la tension et la fréquence indiquées sur la plaque signalétique.
2. Placer la fiche dans une prise secteur mise à la terre. Le voyant à DEL sur le chargeur de batterie clignote en rouge une fois et en vert une fois.

Pour charger la batterie



MISE EN GARDE : S'assurer que la batterie, le chargeur de batterie et les bornes de la batterie sont propres et secs. Ne pas mettre la batterie dans le chargeur de batterie si cette première est sale ou humide.

1. Brancher le chargeur de batterie sur une prise secteur. Le voyant à DEL de charge clignote en rouge 1 fois et en vert 1 fois.



MISE EN GARDE :

Brancher uniquement le chargeur de batterie sur une prise secteur à la tension et la fréquence indiquées sur la plaque signalétique.

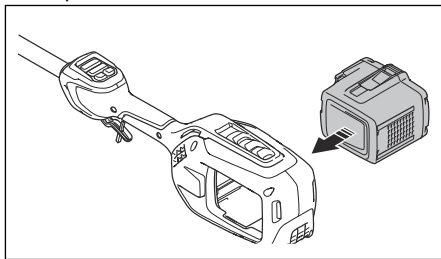
2. Connecter la batterie au chargeur de batterie. La DEL verte s'allume.
3. Retirer la batterie du chargeur lorsqu'elle est complètement chargée. Appuyer sur le bouton indicateur de la batterie pour connaître l'état de la batterie. Lorsque toutes les DEL de la batterie s'allument, la batterie est complètement chargée.
4. Tirer la fiche d'alimentation pour débrancher le chargeur de batterie de la prise secteur. Ne pas tirer le cordon d'alimentation.

Branchement de la batterie



AVERTISSEMENT : Utiliser uniquement des batteries d'origine Husqvarna avec le produit.

1. Vérifier que la batterie est chargée à bloc.
2. Pousser la batterie dans le porte-batterie de l'appareil. Quand la batterie se bloque en position, un déclic se fait entendre.



MISE EN GARDE :

Si la batterie ne s'insère pas facilement dans le porte-batterie, elle n'est pas bien installée. Cela pourrait endommager le produit.

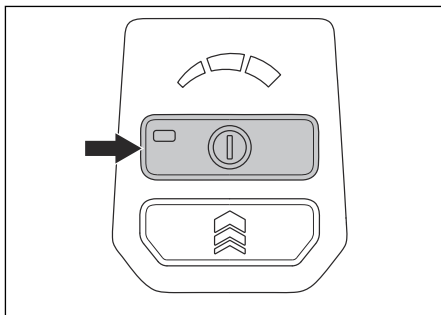
3. Vérifier que le protège-main est bien installé.

Renseignements sur la batterie

Se reporter au manuel d'utilisation de la batterie pour obtenir des renseignements sur la manière d'utiliser la batterie.

Mise sous tension de l'appareil

1. Placer le produit en position de démarrage.
2. Appuyer sur le bouton d'alimentation et le maintenir enfoncé jusqu'à ce que la DEL verte s'allume.

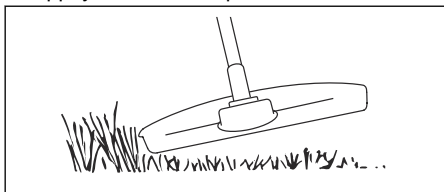


3. Utiliser le commutateur d'activation pour commander la vitesse.

Utilisation de la machine

Tonte du gazon

- Tenir la tête de désherbage tout juste au-dessus du sol, en l'inclinant. Ne pas appuyer le fil de coupe dans l'herbe.



Pour dégager l'herbe

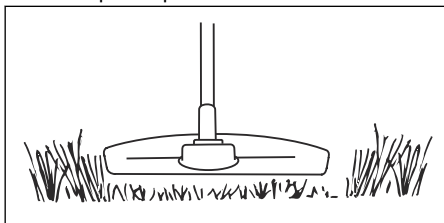
1. Maintenir la tête de désherbage au-dessus du sol.
2. Incliner la tête de désherbage.
3. Couper avec l'extrémité du fil de coupe autour des objets dans la zone de travail.



MISE EN GARDE : Couper l'herbe. Les autres objets qui sont touchés par le fil de coupe augmentent l'usure de celui-ci.

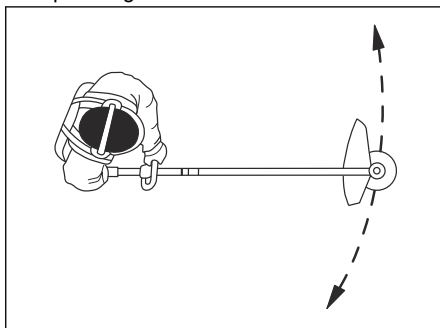
Pour couper l'herbe

1. Pour effectuer une coupe, vérifier que le fil de coupe est parallèle au sol.



2. Ne pas appuyer la tête de coupe sur le sol. Cela pourrait endommager le produit.

3. Déplacer le produit d'un côté à l'autre pendant la coupe. Faire tourner le moteur à plein régime.



Pour balayer l'herbe

Le débit d'air du fil de coupe en rotation peut être utilisé pour souffler l'herbe coupée d'une zone.

1. Maintenir la tête de désherbage et le fil surélevés et parallèles au sol.
2. Faire tourner le moteur à plein régime.
3. Déplacer la tête de coupe d'un côté à l'autre et balayer l'herbe.



AVERTISSEMENT : Nettoyer le couvercle de la tête de désherbage à chaque remplacement du fil de coupe afin d'éviter un déséquilibre et des vibrations dans les poignées. En outre, vérifier les autres parties de la tête de coupe et les nettoyer au besoin.

Fonction de mode de vitesse

Vous pouvez utiliser le produit avec trois modes de vitesse.

- Mode eco : 1 voyant à DEL s'allume sur l'affichage du mode de vitesse lorsque vous utilisez le produit. Utiliser le mode eco pour les tâches plus simples et pour prolonger l'autonomie de la batterie.
- Mode normal : 2 voyants à DEL s'allument sur l'affichage du mode de vitesse lorsque vous utilisez le produit. Le mode normal convient à la plupart des tâches. Le produit est configuré en mode normal lors du démarrage.
- Mode survoltage : 3 voyants à DEL s'allument sur l'affichage du mode de

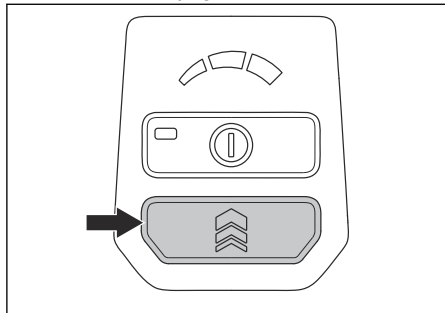
vitesse lorsque vous utilisez le produit.
Utiliser le mode survoltage pour les tâches nécessitant plus de puissance.

Remarque : Si la gâchette de puissance est relâchée, le produit reste au dernier mode de vitesse utilisé lorsqu'il est remis en marche. Si le produit s'arrête automatiquement, le produit passe en mode normal lorsqu'il est remis en marche.

Pour sélectionner un mode de vitesse

Vous pouvez régler le mode de vitesse voulu lorsque vous utilisez le produit.

- Appuyer sur le bouton du mode de vitesse jusqu'à ce que le mode voulu soit sélectionné. Les voyants à DEL s'allument, se reporter à la section *Fonction de mode de vitesse à la page 66*.



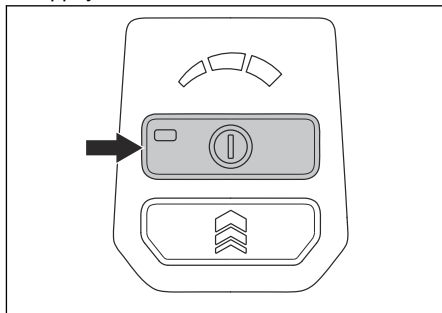
Fonction d'arrêt automatique

Le produit est doté d'une fonction d'arrêt automatique qui met l'outil hors fonction

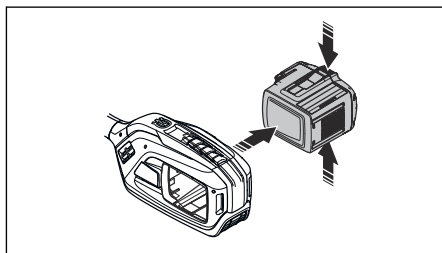
quand il n'est pas utilisé. La DEL verte de marche-arrêt s'éteint et le produit se met hors tension après 120 secondes.

Mise hors tension de l'appareil

- Relâcher la gâchette ou son mécanisme de verrouillage.
- Appuyer sur le bouton d'alimentation.



- Appuyer sur les boutons de déverrouillage de la batterie et retirer la batterie.



Entretien

Introduction



AVERTISSEMENT : Lire et comprendre le chapitre sur la sécurité avant de faire l'entretien du produit.



AVERTISSEMENT : Retirer la batterie avant de procéder à l'entretien.

Voici les mesures d'entretien à effectuer sur l'appareil. Pour plus d'information, se reporter à *Introduction à la page 67*.

Entretien	Quotidien	Hebdomadaire	Mensuel
Nettoyer les pièces externes de l'appareil avec un chiffon sec. Ne pas utiliser d'eau.	X		
Vérifier que le bouton d'alimentation fonctionne correctement et n'est pas endommagé.	X		
Vérifier que la gâchette et son mécanisme de verrouillage fonctionnent correctement et de façon sécuritaire.	X		
Vérifier que toutes les commandes fonctionnent et qu'elles ne sont pas endommagées.	X		
Garder les poignées sèches, propres et exemptes d'huile et de graisse.	X		
Vérifier que l'outil de coupe n'est pas endommagé. Remplacer l'outil de coupe s'il est endommagé.	X		
Vérifier que le dispositif de protection de l'outil de coupe n'est pas endommagé. Remplacer le dispositif de protection s'il est endommagé.	X		
Vérifier que les vis et les écrous sont bien serrés.	X		
Vérifier que les boutons de déverrouillage de la batterie fonctionnent et gardent la batterie bien fixée à l'appareil.	X		
Vérifier que le chargeur de batterie n'est pas endommagé et qu'il fonctionne correctement.	X		
Vérifier que la batterie n'est pas endommagée.	X		
Vérifier que la batterie est chargée.	X		
Vérifier que le chargeur de batterie n'est pas endommagé.	X		
Vérifier tous les raccords et les connexions. S'assurer qu'ils sont en bon état et exempts de saletés.		X	
Vérifier les points de connexion entre la batterie et l'appareil. Examiner également le point de connexion entre la batterie et le chargeur.			X

Pour examiner la batterie et le chargeur de batterie

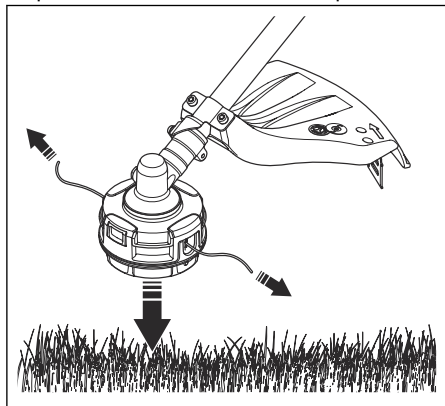
1. Examiner la batterie pour détecter des dommages éventuels, par exemple des fissures.
2. Examiner le chargeur de batterie pour détecter des dommages éventuels, par exemple des fissures.
3. S'assurer que le cordon de raccordement du chargeur de batterie est intact et qu'il ne présente pas de fissure.

Pour nettoyer le produit, la batterie et le chargeur de batterie.

1. Nettoyer le produit à l'aide d'un chiffon sec après utilisation.
2. Nettoyer la batterie et chargeur de batterie à l'aide d'un chiffon sec. Garder les chemins de guidage de la batterie propres.
3. S'assurer que les bornes de la batterie et le chargeur de batterie sont propres avant de placer la batterie dans le chargeur de batterie ou sur le produit.

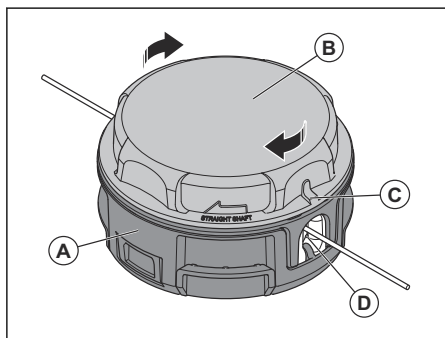
Pour allonger le fil coupe-herbe

- Lorsque le fil de coupe-herbe devient court pendant le fonctionnement, tapoter la tête de coupe sur une surface dure et plane pour allonger le fil de coupe. Le produit doit fonctionner à pleine vitesse pour obtenir le meilleur résultat possible.



Remplacement du fil coupe-herbe

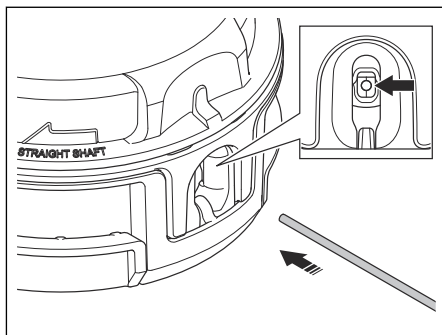
1. Maintenir la moitié inférieure (A) de la tête de désherbage d'une main. Tourner la moitié supérieure (B) de la tête de désherbage dans le sens horaire avec l'autre main.



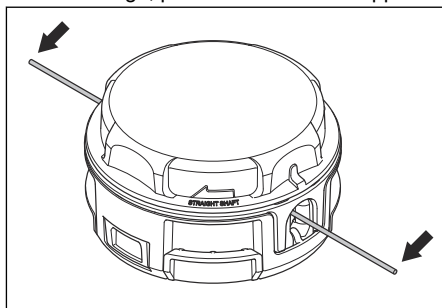
Remarque : Lorsqu'on tourne la moitié supérieure de la tête de désherbage, un clic se fait entendre.

2. Continuer à tourner la moitié supérieure de la tête de désherbage jusqu'à ce que le triangle (C) soit aligné avec le trou (D).
3. Retirer et mettre au rebut le fil de coupe restant.
4. Couper environ 6,7 m (22 pi) du nouveau fil de coupe.

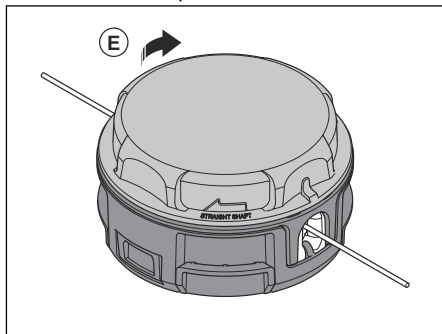
5. Placer une extrémité du fil de coupe dans l'un des trous.



6. Pousser le fil de coupe à travers la tête de désherbage, puis à travers le trou opposé.



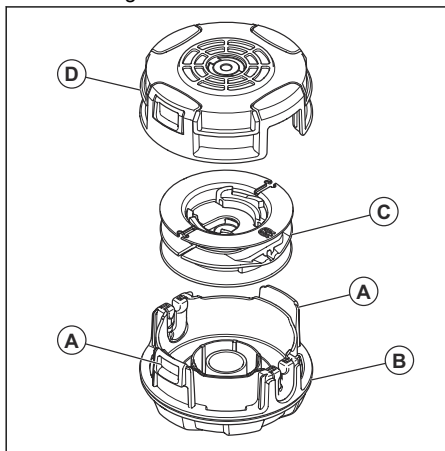
7. Tirer le fil de coupe à travers la tête de désherbage jusqu'à ce qu'il y ait une longueur égale de fil de coupe de chaque côté.
8. Maintenir la moitié inférieure de la tête de désherbage stable d'une main. Tourner la moitié supérieure de la tête de désherbage dans le sens horaire avec l'autre main.
9. Continuer à tourner la moitié supérieure de la tête de désherbage jusqu'à ce qu'il y ait environ 127 mm (5 po) de fil de coupe sortant de chaque trou.



Remarque : Si le fil de coupe est trop long d'un côté de la tête de désherbage, couper le fil à la bonne longueur.

Pour examiner et nettoyer la tête de désherbage

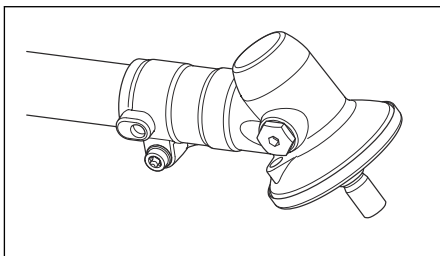
1. Pousser sur les languettes (A) pour retirer la moitié inférieure (B) de la tête de désherbage.



2. Retirer la bobine (C).
3. Retirer et jeter toute pièce de fil de coupe et tout matériau indésirable de la tête de désherbage et de la bobine.
4. Placer la bobine dans la moitié inférieure.
5. Fixer la moitié supérieure (D). S'assurer que toutes les pièces sont dans la bonne position et qu'elles sont correctement alignées.
6. Tourner la tête de désherbage assemblée avec la main. S'assurer que les moitiés supérieure et inférieure sont complètement fermées et que les languettes sont complètement engagées.
7. Pour remplacer le fil coupe-herbe, se reporter à *Remplacement du fil coupe-herbe à la page 69*.

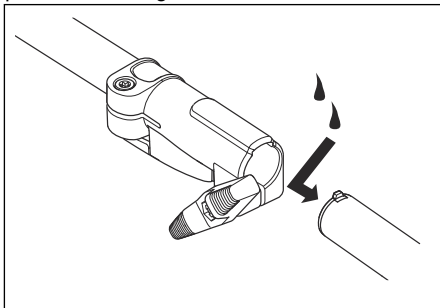
Renvoi d'angle

Le pignon conique est rempli au 3/4 avec de la graisse en usine. Avant d'utiliser ce produit, s'assurer que le niveau de graisse n'a pas changé. Utiliser de la graisse spéciale Husqvarna s'il est nécessaire de faire le plein. Ne pas remplacer la graisse dans le pignon conique. Laisser le personnel d'entretien effectuer la réparation du pignon conique.



Arbre en deux pièces

Appliquer de la graisse sur l'extrémité de l'arbre d'entraînement après chaque 30 heures de fonctionnement. Il y a un risque que les extrémités de l'arbre d'entraînement (raccords cannelés) des modèles avec arbres en deux pièces se grippent si elles ne sont pas lubrifiées régulièrement.



Dépannage

Produit

Problème	Causes	Solution
Le fil de coupe ne se déploie pas.	Herbe ou matériaux indésirables dans la tête de dés-herbage.	Démonter et nettoyer la tête de dés-herbage.

Clavier

Le voyant à DEL du bouton d'alimentation clignote	Anomalies potentielles	Action possible
En continu	Niveau de batterie faible	Charger la batterie.
2 clignotements	Sous-tension.	<ol style="list-style-type: none">1. Éteindre le produit.2. Allumer le produit à nouveau.3. Si le problème persiste, communiquer avec votre atelier spécialisé.
3 clignotements	Batterie défectueuse.	Remplacer la batterie.
4 clignotements	Surintensité.	<ol style="list-style-type: none">1. Éteindre le produit.2. Allumer le produit à nouveau.3. Si le problème persiste, communiquer avec votre atelier spécialisé.
5 clignotements	Température élevée.	Laisser l'outil refroidir!
6 clignotements	Anomalie du bloc de rotation.	<ol style="list-style-type: none">1. Éteindre le produit.2. Allumer le produit à nouveau.3. Si le problème persiste, communiquer avec votre atelier spécialisé.
9 clignotements	Mode de protection activé.	<ol style="list-style-type: none">1. Éteindre le produit.2. Allumer le produit à nouveau.3. Changer la méthode de travail si le mode de protection s'active de nouveau.
10 clignotements	Erreur de communication avec la batterie.	<ol style="list-style-type: none">1. Retirer la batterie.2. Nettoyer les connecteurs de batterie à l'air comprimé ou à l'aide d'une brosse douce.3. Réinstaller correctement la batterie.

Batterie

État	Anomalies potentielles	Procédure possible
La DEL d'avertissement de la batterie clignote.	Écart de température, la batterie est trop froide ou trop chaude pour être utilisée.	Laisser la batterie se refroidir ou la placer à l'intérieur afin de lui permettre de se réchauffer. Lorsque la température de la batterie est adéquate, il sera possible de l'utiliser. Utiliser la batterie à des températures ambiantes indiquées dans <i>Caractéristiques techniques à la page 73</i> .
	La batterie est à plat.	Charger la batterie.
La DEL d'avertissement de la batterie s'allume.	Erreur de batterie permanente.	Communiquer avec votre centre de services.

Chargeur de batterie

État	Anomalies potentielles	Procédure possible
Le voyant DEL du système de charge est rouge.	Erreur permanente du chargeur de batterie	Communiquer avec votre centre de services.
Le voyant DEL du système de charge clignote en rouge.	Écart de température, la batterie est trop froide ou trop chaude pour être utilisée ou chargée.	Laisser la batterie se refroidir ou se réchauffer. Lorsque la température de la batterie est adéquate, il sera possible de l'utiliser ou de la recharger. Utiliser le chargeur de batterie à des températures ambiantes indiquées dans <i>Caractéristiques techniques à la page 73</i> .
Le voyant DEL du système de charge clignote en vert.		
Le voyant DEL du système de charge clignote en rouge.	Batterie défectueuse.	Communiquer avec votre centre de services.

Transport, entreposage et mise au rebut

Transport et entreposage

- Respecter les exigences de la loi sur les produits dangereux avec la batterie au lithium.
- Respecter l'exigence spéciale relative à l'emballage et aux étiquettes pour le transport commercial, y compris par des tiers et des transitaires.
- Communiquer avec une personne ayant une formation spéciale en matière de composés dangereux avant d'envoyer le produit. Respecter tous les règlements nationaux applicables.
- Utiliser du ruban adhésif sur des contacts ouverts lorsque vous emballez la batterie. Placer la batterie dans un emballage hermétique pour éviter tout mouvement.
- Déposer la batterie pour le remisage ou le transport.
- Placer la batterie et le chargeur de batterie dans un espace sec et exempt d'humidité et de gel.

- Ne pas maintenir la batterie dans une zone où l'électricité statique peut se développer. Ne pas entreposer la batterie dans une boîte métallique.
- Entreposer la batterie dans un endroit où la température est comprise entre 41°F (5°C) et 77°F (25°C) et à l'écart des rayons directs du soleil.
- Entreposer le chargeur de batterie dans un endroit où la température est comprise entre 41°F (5°C) et 113°F (45°C) et à l'écart des rayons directs du soleil.
- Utiliser le chargeur de batterie seulement lorsque la température ambiante est comprise entre 41°F (5°C) et 104°F (40°C).
- Charger la batterie entre 30 % et 50 % avant de la remiser pour une longue période.
- Entreposer le chargeur de batterie dans un endroit clos et sec.
- Tenir la batterie à l'écart du chargeur de batterie pendant la période d'entreposage. Ne pas laisser des enfants et d'autres personnes non autorisées toucher l'équipement. Maintenir l'équipement dans un endroit qui peut être verrouillé.
- Nettoyer le produit et effectuer un entretien complet avant de l'entreposer dans le local de rangement pendant une longue période.
- Utiliser le fourreau de transport sur le produit afin d'éviter des blessures ou des dommages au produit pendant le transport et le remisage.
- Fixer le produit de façon sécuritaire pendant le transport.

Mise au rebut de la batterie, du chargeur de batterie et de l'outil

Le symbole ci-dessous signifie que le produit n'est pas un déchet domestique. Recycler dans un centre de recyclage pour équipements électriques et électroniques. De cette façon, vous ne nuirez pas à l'environnement.

Communiquer avec les autorités locales, le service de déchets ménagers et votre concessionnaire pour obtenir de plus amples renseignements.



Remarque : Le symbole sur le produit ou l'emballage du produit, indique :

Caractéristiques techniques

330iKL	
Moteur	
Type de moteur	BLDC (sans balais) 36 V
Largeur de coupe, po/mm	18/457
Poids	
Poids sans batterie, lb/kg	9,1/4,1
Niveau de protection contre l'eau	
Fonctionne en toutes saisons	Non
Limites de température	
Température ambiante lors du fonctionnement, °F/°C	14 à 104/-10 à 40
Température ambiante lors du remisage, °F/°C	41 – 77 / 5 – 25

Batteries homologuées pour le produit

Batterie	BLi22	BLi30	40-B140
Type	Lithium-ion	Lithium-ion	Lithium-ion
Capacité de la batterie, Ah	4,2	7,5	4,0
Tension nominale, V	36	36	36
Poids, lb/kg	2,9 /1,3	4,2/1,9	2,6/1,2

Chargeurs de batteries approuvés

Chargeur de batterie	QC250	40-C80
Tension d'entrée, V	100 à 240	100 à 240
Fréquence, Hz	50-60	50-60
Puissance, W	250	80

Accessoires

Accessoires

330iKL	
Accessoires homologués	Type
Tête de désherbage	RapidReplace™ (2,0 à 2,4 mm / 0,080 à 0,095 po)

Accessoires

Accessoires homologués	Utilisation avec
Accessoire de coupe TA320	330iK
Accessoire de coupe-brosse BCA850	330iK
Accessoire d'appareil à mouvement de va-et-vient RA850	330iK
Accessoire pour aspiro-souffleur BA101	330iK
Accessoire pour taille-bordures ECA308	330iK
Accessoire pour taille-bordures ECA850	330iK

Accessoires homologués	Utilisation avec
Accessoire pour taille-bordures ESA850	330iK
Accessoire de taille-haie HA322	330iK
Accessoire de taille-haie HA860	330iK
Accessoire de sciage PA310	330iK
Accessoire de balayeuse SR600-2	330iK
Accessoire pour brosse en soies BR600	330iK
Accessoire pour démousseur DT600	330iK
Accessoire pour cultivateur CA230	330iK
Ensemble de lame à herbe 535610301	330iKL



Husqvarna®

www.husqvarna.com

Original instructions
Instrucciones originales
Instructions d'origine

1143521-49 Rev. 3



2023-11-06