



Lifting force tables ET90

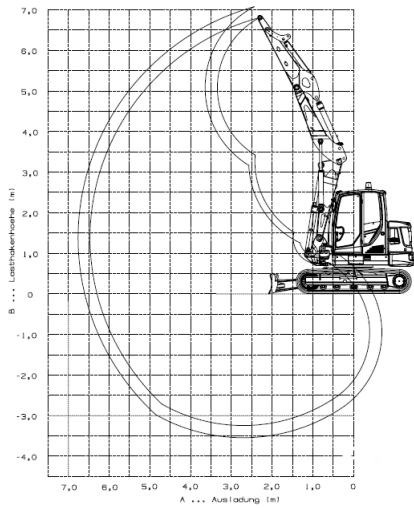


Fig. 1: Lifting force table ET90
Adjustable boom without additional rear weight

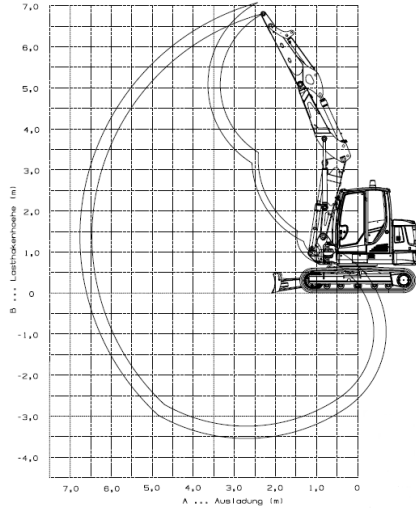


Fig. 2: Lifting force table ET90
Adjustable boom with additional rear weight

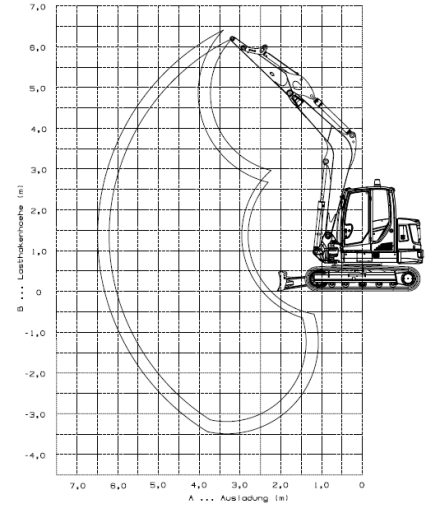


Fig. 3: Lifting force table ET90
Boom without additional rear weight

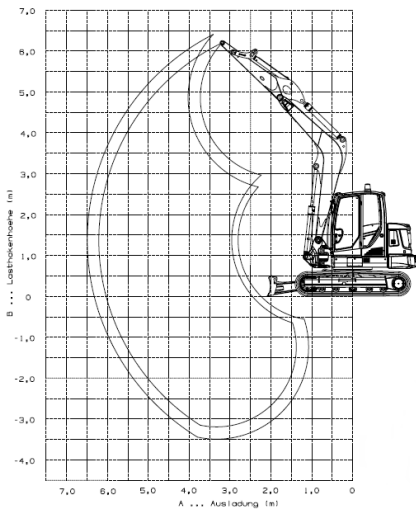


Fig. 4: Lifting force table ET90
Boom with additional rear weight

max	Permissible load with extended dipper stick
A	Outreach from middle of rotating assembly
B	Load hook height
*	Lifting force limited by hydraulics
	With or without dozer blade support in travel direction
	With or without dozer blade support 90° from the travel direction

All table values are specified in kg (lbs.), in a horizontal position on a solid surface and without a bucket or an attachment.

If a bucket or other attachment is mounted, the lifting force or tipping load is reduced by the device's dead weight.

Base of calculation: according to ISO 10567

The lifting force of the vehicle is limited by the settings of the pressure relief valves and hydraulic performance or by the tipping safety mechanism.

Neither 75% of the static tipping load nor 87% of the hydraulic lifting force are exceeded.



**WACKER
NEUSON**
all it takes!

Lifting force tables ET90 – Adjustable boom

						6,0 m (236.2 in)				5,0 m (196.8 in)				4,0 m (157.5 in)				3,0 m (118.1 in)			
A	B																				
		Blade down	Blade up	Blade back		Blade down	Blade up	Blade back		Blade down	Blade up	Blade back		Blade down	Blade up	Blade back					
4,0 m (157.5 in)		1754* (3067)*	1131 (2493)	1331 (2934)	1058 (2332)	-	-	-	-	1823* (4019)*	1511 (3331)	1755 (3869)	1409 (3106)	2016* (4445)*	2016* (4445)*	2016* (4445)*	2016* (4445)*	-	-	-	-
3,0 m (118.1 in)		1685* (3715)*	986 (2174)	1169 (2577)	922 (2033)	1715* (3781)*	1061 (2339)	1254 (2765)	993 (2189)	1927* (4248)*	1459 (3217)	1702 (3752)	1358 (2994)	2294* (5057)*	2109 (4650)	2294* (5057)*	1942 (4281)	3028* (6676)*	3028* (6676)*	3028* (6676)*	3028* (6676)*
2,0 m (78.7 in)		1638* (3611)*	912 (2011)	1089 (2401)	853 (1881)	1753* (3865)*	1031 (2273)	1223 (2696)	964 (2125)	2080* (4586)*	1383 (3049)	1626 (3585)	1285 (2833)	2645* (5831)*	1948 (4295)	2278 (5022)	1790 (3946)	3608* (7954)*	3139 (6920)	3608* (7954)*	2813 (6202)
1,0 m (39.4 in)		1597* (3521)*	888 (1958)	1064 (2346)	830 (1830)	1778* (3920)*	996 (2196)	1188 (2619)	930 (2050)	2201* (4852)*	1309 (2886)	1552 (3422)	1214 (2676)	2916* (6429)*	1808 (3986)	2136 (4709)	1657 (3653)	4294* (9467)*	2850 (6283)	3359 (7405)	2546 (5613)
0,0 m (0 in)		1545* (3406)*	910 (2006)	1091 (2405)	850 (1874)	1718* (3788)*	972 (2143)	1164 (2566)	906 (1997)	2215* (4883)*	1258 (2773)	1501 (3309)	1165 (2568)	2948* (6499)*	1727 (3807)	2056 (4533)	1580 (3483)	4209* (9279)*	2676 (5900)	3184 (7020)	2385 (5258)
-1,0 m (-39.4 in)		1461* (3221)*	989 (2180)	1184 (2610)	922 (2033)	-	-	-	-	2060* (4542)*	1239 (2732)	1482 (3267)	1147 (2529)	2736* (6032)*	1703 (3755)	2032 (4480)	1557 (3433)	3707* (8173)*	2680 (5908)	3188 (7028)	2389 (5267)
-2,0 m (-78.7 in)		1294* (2853)*	1169 (2577)	1294* (2853)*	1086 (2394)	-	-	-	-	1614* (3558)*	1263 (2784)	1506 (3320)	1170 (2579)	2252* (4965)*	1727 (3807)	2055 (4531)	1580 (3483)	2955* (6515)*	2732 (6023)	2955* (6515)*	2437 (5373)

Tab.1: Lifting force table ET90 – Adjustable boom, short dipper stick, rubber track, without additional rear weight

						5,0 m (196.8 in)				4,0 m (157.5 in)				3,0 m (118.1 in)				2,0 m (78.7 in)			
A	B																				
		Schild Unten	Schild oben	Schild Hinten		Schild Unten	Schild oben	Schild Hinten		Schild Unten	Schild oben	Schild Hinten		Schild Unten	Schild oben	Schild Hinten					
4,0 m (157.5 in)		1624* (3580)*	1026 (2262)	1213 (2674)	960 (2116)	1621* (3580)*	1083 (2388)	1275 (2811)	1013 (2233)	1702* (3752)*	1529 (3371)	1702* (3752)*	1425 (3142)	1850* (4079)*	1850* (4079)*	1850* (4079)*	1850* (4079)*	-	-	-	-
3,0 m (118.1 in)		1567* (3455)*	903 (1991)	1076 (2372)	845 (1862)	1633* (3600)*	1069 (2357)	1261 (2780)	999 (2202)	1823* (4019)*	1471 (3243)	1715 (3781)	1370 (3020)	2134* (4705)*	2134* (4705)*	2134* (4705)*	1973 (4350)	2708* (5970)*	2708* (5970)*	2708* (5970)*	2708* (5970)*
2,0 m (78.7 in)		1528* (3369)*	839 (1850)	1006 (2218)	784 (1728)	1695* (3737)*	1030 (2271)	1223 (2696)	962 (2121)	1995* (4398)*	1390 (3064)	1633 (3600)	1291 (2846)	2516* (5547)*	1977 (4359)	2306 (5084)	1816 (4004)	3402* (7500)*	3196 (7046)	3402* (7500)*	2864 (6314)
1,0 m (39.4 in)		1493* (3292)*	816 (1799)	983 (2167)	763 (1682)	1747* (3851)*	988 (2178)	1181 (2604)	922 (2033)	2145* (4729)*	1308 (2884)	1551 (3419)	1213 (2674)	2831* (6241)*	1820 (4012)	2149 (4738)	1667 (3675)	4166* (9184)*	2866 (6318)	3375 (7441)	2559 (5642)
0,0 m (0 in)		1452* (3201)*	833 (1836)	1004 (2213)	778 (1715)	1733* (3821)*	956 (2108)	1148 (2531)	890 (1962)	2200* (4850)*	1247 (2749)	1490 (3285)	1154 (2544)	2937* (6475)*	1720 (3792)	2048 (4515)	1572 (3466)	4295* (9469)*	2657 (5858)	3165 (6978)	2366 (5216)
-1,0 m (-39.4 in)		1377* (3036)*	892 (1967)	1073 (2366)	832 (1839)	1574* (3470)*	946 (2086)	1139 (2511)	881 (1942)	2104* (4639)*	1218 (2685)	1460 (3219)	1126 (2482)	2801* (6175)*	1680 (3704)	2008 (4427)	1534 (3382)	3912* (8624)*	2639 (5818)	3147 (6938)	2349 (5179)
-2,0 m (-78.7 in)		1257* (2771)*	1040 (2293)	1245 (2745)	968 (2134)	-	-	-	-	1778* (3920)*	1226 (2703)	1469 (3239)	1134 (2500)	2408* (5309)*	1689 (3724)	2018 (4449)	1543 (3402)	3246* (7156)*	2676 (5900)	3185 (7022)	2384 (5256)

Tab.2: Lifting force table ET90 – Adjustable boom, long dipper stick, rubber track, without additional rear weight



**WACKER
NEUSON**
all it takes!

Lifting force tables ET90 – Adjustable boom

						6,0 m (236.2 in)				5,0 m (196.8 in)				4,0 m (157.5 in)				3,0 m (118.1 in)			
A	B																				
		Blade down	Blade up	Blade back		Blade down	Blade up	Blade back		Blade down	Blade up	Blade back		Blade down	Blade up	Blade back		Blade down	Blade up	Blade back	
4,0 m (157.5 in)		1754* (3867)*	1172 (2584)	1372 (3025)	1092 (2407)	-	-	-	-	1823* (4018)*	1560 (3439)	1804 (3977)	1449 (3195)	2016* (4445)*	2016* (4445)*	2016* (4445)*	2016* (4445)*	-	-	-	-
3,0 m (118.1 in)		1685* (3715)*	1023 (2255)	1207 (2661)	953 (2101)	1715* (3781)*	1100 (2425)	1293 (2851)	1026 (2251)	1927* (4248)*	1508 (3325)	1751 (3860)	1399 (3084)	2294* (5057)*	2175 (4795)	2294* (5057)*	1996 (4400)	3028* (6676)*	3028* (6676)*	3028* (6676)*	3028* (6676)*
2,0 m (78.7 in)		1638* (3611)*	948 (2090)	1125 (2480)	883 (1947)	1753* (3865)*	1070 (2359)	1263 (2784)	996 (2196)	2080* (4586)*	1432 (3157)	1675 (3693)	1326 (2923)	2654* (5851)*	2014 (4440)	2344 (5168)	1844 (4065)	3608* (7954)*	3240 (7143)	3608* (7954)*	2893 (6378)
1,0 m (39.4 in)		1597* (3521)*	924 (2037)	1100 (2425)	860 (1896)	1778* (3920)*	1035 (2282)	1227 (2705)	962 (2121)	2201* (4852)*	1358 (2994)	1601 (3530)	1255 (2767)	2916* (6429)*	1874 (4131)	2203 (4857)	1710 (3770)	4294* (9467)*	2951 (6506)	3461 (7630)	2626 (2789)
0,0 m (0 in)		1545* (3406)*	947 (2088)	1128 (2487)	880 (1940)	1718* (3788)*	1011 (2229)	1203 (2652)	939 (2070)	2215* (4883)*	1307 (2881)	1550 (3417)	1206 (2659)	2948* (6499)*	1793 (3953)	2122 (4678)	1634 (3602)	4209* (9279)*	2777 (6122)	3286 (7244)	2465 (5434)
-1,0 m (-39.4 in)		1461* (3221)*	1029 (2269)	1223 (2696)	955 (2105)	-	-	-	-	2060* (4542)*	1288 (2840)	1531 (3375)	1188 (2619)	2736* (6032)*	1769 (3900)	2098 (4625)	1611 (3552)	3707* (8172)*	2781 (6131)	3290 (7253)	2469 (5443)
-2,0 m (-78.7 in)		1294* (2853)*	1213 (2674)	1294* (2853)*	1124 (2478)	-	-	-	-	1614* (3558)*	1312 (2892)	1555 (3428)	1211 (2670)	2252* (4965)*	1793 (3953)	2121 (4676)	1633 (3600)	2955* (6515)*	2833 (6246)	2955* (6515)*	2517 (5549)

Tab.3: Lifting force table ET90 – Adjustable boom, short dipper stick, steel track, without additional rear weight

						5,0 m (196.8 in)				4,0 m (157.5 in)				3,0 m (118.1 in)				2,0 m (78.7 in)			
A	B																				
		Blade down	Blade up	Blade back		Blade down	Blade up	Blade back		Blade down	Blade up	Blade back		Blade down	Blade up	Blade back		Blade down	Blade up	Blade back	
4,0 m (157.5 in)		1624* (3580)*	1064 (2346)	1251 (2758)	991 (2185)	1621* (3574)*	1122 (2474)	1314 (2897)	1045 (2304)	1702* (3752)*	1578 (3479)	1702* (3752)*	1465 (3230)	1850* (4079)*	1850* (4079)*	1850* (4079)*	1850* (4079)*	-	-	-	-
3,0 m (118.1 in)		1567* (3455)*	938 (2068)	1111 (2450)	874 (1927)	1633* (3600)*	1108 (2443)	1300 (2866)	1032 (2275)	1823* (4019)*	1520 (3351)	1764 (3889)	1410 (3109)	2134* (4705)*	2134* (4705)*	2134* (4705)*	2027 (4469)	2708* (5970)*	2708* (5970)*	2708* (5970)*	2708* (5970)*
2,0 m (78.7 in)		1528* (3369)*	873 (1925)	1040 (2293)	813 (1792)	1695* (3737)*	1069 (2357)	1262 (2782)	995 (2194)	1995* (4398)*	1439 (3172)	1682 (3708)	1332 (2937)	2516* (5547)*	2043 (4504)	2372 (5229)	1869 (4120)	3402* (7500)*	3297 (7269)	3402* (7500)*	2944 (6490)
1,0 m (39.4 in)		1493* (3292)*	850 (1874)	1017 (2242)	791 (1744)	1747* (3851)*	1027 (2264)	1220 (2690)	954 (2103)	2145* (4729)*	1357 (2992)	1600 (3527)	1253 (2762)	2831* (6241)*	1886 (4158)	2215 (4883)	1721 (3794)	4166* (9184)*	2966 (6539)	3477 (7665)	2639 (5818)
0,0 m (0 in)		1452* (3201)*	868 (1914)	1039 (2291)	807 (1779)	1733* (3821)*	995 (2194)	1187 (2617)	923 (2035)	2200* (4850)*	1296 (2857)	1539 (3393)	1194 (2632)	2937* (6475)*	1786 (3937)	2115 (4663)	1626 (3585)	4295* (9469)*	2758 (6080)	3266 (7200)	2446 (5393)
-1,0 m (-39.4 in)		1377* (3036)*	929 (2048)	1110 (2447)	862 (1900)	1574* (3470)*	985 (2172)	1178 (2597)	913 (2013)	2104* (4639)	1267 (2793)	1509 (3327)	1166 (2571)	2801* (6175)*	1746 (3849)	2074 (4572)	1588 (3501)	3912* (8625)*	2739 (6039)	3248 (7161)	2429 (5355)
-2,0 m (-78.7 in)		1257* (2771)*	1082 (2385)	1257* (2771)*	1002 (2209)	-	-	-	-	1778* (3920)*	1275 (2811)	1518 (3347)	1174 (2588)	2408* (5309)*	1755 (3869)	2084 (4594)	1596 (3519)	3246* (7156)*	2777 (6122)	3246* (7156)*	2464 (5432)

Tab.4: Lifting force table ET90 – Adjustable boom, long dipper stick, steel track, without additional rear weight



**WACKER
NEUSON**
all it takes!

Lifting force tables ET90 – Adjustable boom

						6,0 m (236.2 in)				5,0 m (196.8 in)				4,0 m (157.5 in)				3,0 m (118.1 in)			
A	B																				
		Blade down	Blade up	Blade back		Blade down	Blade up	Blade back		Blade down	Blade up	Blade back		Blade down	Blade up	Blade back		Blade down	Blade up	Blade back	
4,0 m (157.5 in)		1754* (3867)*	1154 (2544)	1354 (2985)	1077 (2374)	-	-	-	-	1823* (4019)*	1539 (3393)	1782 (3929)	1432 (3157)	2016* (4445)*	2016* (4445)*	2016* (4445)*	2016* (4445)*	-	-	-	-
3,0 m (118.1 in)		1685* (3715)*	1006 (2218)	1190 (2624)	940 (2072)	1715* (3781)*	1083 (2388)	1276 (2813)	1011 (2229)	1927* (4248)*	1486 (3276)	1729 (3812)	1381 (3045)	2294* (5057)*	2146 (4731)	2294* (5057)*	1972 (4348)	3028* (6676)*	3028* (6676)*	3028* (6676)*	3028* (6676)*
2,0 m (78.7 in)		1638* (3611)*	932 (2055)	1109 (2445)	870 (1918)	1753* (3865)*	1053 (2321)	1245 (2745)	982 (2165)	2080* (4586)*	1410 (3109)	1653 (3644)	1308 (2884)	2654* (5851)*	1985 (4376)	2315 (5104)	1820 (4012)	3608* (7954)*	3196 (7046)	3608* (7954)*	2858* (6301)*
1,0 m (39.4 in)		1597* (3520)*	908 (2002)	1084 (2390)	847 (1867)	1778* (3920)*	1018 (2244)	1210 (2668)	948 (2090)	2201* (4852)*	1337 (2948)	1579 (3481)	1237 (2727)	2916* (6429)*	1845 (4068)	2174 (4793)	1687 (3720)	4294* (9467)*	2907 (6409)	3416 (7531)	2591 (5712)
0,0 m (0 in)		1545* (3406)*	930 (2050)	1112 (2452)	867 (1911)	1718* (3788)*	994 (2191)	1186 (2615)	924 (2037)	2215* (4883)*	1286 (2835)	1528 (3369)	1188 (2619)	2948* (6499)*	1764 (3889)	2093 (4614)	1610 (3549)	4209* (9279)*	2733 (6025)	3241 (7145)	2430 (5357)
-1,0 m (-39.4 in)		1461* (3221)*	1011 (2229)	1206 (2663)	941 (2075)	-	-	-	-	2060* (4542)*	1267 (2793)	1509 (3327)	1170 (2579)	2736* (6032)*	1740 (3836)	2069 (4561)	1588 (3501)	3707* (8173)*	2737 (6034)	3245 (7154)	2434 (5366)
-2,0 m (-78.7 in)		1294* (2853)*	1194 (2632)	1294* (2853)*	1107 (2441)	-	-	-	-	1614* (3558)*	1291 (2846)	1533 (3380)	1193 (2630)	2252* (4965)*	1764 (3889)	2092 (4612)	1610 (3549)	2955* (6515)*	2789 (6149)	2955* (6515)*	2482 (5472)

Tab.5: Lifting force table ET90 – Adjustable boom, short dipper stick, hybrid track, without additional rear weight

						5,0 m (196.8 in)				4,0 m (157.5 in)				3,0 m (118.1 in)				2,0 m (78.7 in)			
A	B																				
		Blade down	Blade up	Blade back		Blade down	Blade up	Blade back		Blade down	Blade up	Blade back		Blade down	Blade up	Blade back		Blade down	Blade up	Blade back	
4,0 m (157.5 in)		1624* (3580)*	1047 (2308)	1234 (2721)	978 (2156)	1621* (3574)*	1104 (2434)	1297 (2859)	1031 (2273)	1702* (3752)*	1556 (3430)	1702* (3752)*	1448 (3192)	1850* (4079)*	1850* (4079)*	1850* (4079)*	1850* (4079)*	-	-	-	-
3,0 m (118.1 in)		1567* (3455)*	922 (2033)	1096 (2416)	861 (1898)	1633* (3600)*	1090 (2403)	1283 (2829)	1018 (2244)	1823* (4019)*	1499 (3305)	1742 (3840)	1392 (3069)	2134* (4705)*	2134* (4705)*	2134* (4705)*	2003 (4416)	2708* (5970)*	2708* (5970)*	2708* (5970)*	2708* (5970)*
2,0 m (78.7 in)		1528* (3369)*	858 (1892)	1025 (2260)	800 (1764)	1695* (3737)*	1052 (2319)	1245 (2745)	981 (2163)	1995* (4398)*	1417 (3124)	1661 (3662)	1314 (2897)	2516* (5547)*	2014 (4440)	2343 (5165)	1846 (4070)	3402* (7500)*	3253 (7172)	3402* (7500)*	2909 (6413)
1,0 m (39.4 in)		1493* (3292)*	835 (1841)	1002 (2209)	779 (1717)	1747* (3851)*	1010 (2227)	1203 (2652)	940 (2090)	2145* (4729)*	1336 (2945)	1579 (3481)	1235 (2723)	2831* (6241)*	1857 (4094)	2186 (4819)	1697 (3741)	4166* (9184)*	2922 (6442)	3432 (7566)	2604 (5741)
0,0 m (0 in)		1452* (3201)*	853 (1881)	1024 (2258)	794 (1751)	1733* (3821)*	978 (2156)	1170 (2579)	909 (2004)	2200* (4850)*	1275 (2811)	1517 (3344)	1177 (2595)	2937* (6475)*	1757 (3874)	2086 (4599)	1602 (3532)	4295* (9469)*	2713 (5981)	3222 (7103)	2411 (5315)
-1,0 m (-39.4 in)		1377* (3036)*	913 (2013)	1094 (2412)	849 (1872)	1574* (3470)*	968 (2134)	1161 (2560)	899 (1982)	2104* (4639)*	1245 (2745)	1488 (3280)	1148 (2531)	2801* (6175)*	1717 (3785)	2045 (4508)	1564 (3448)	3912* (8625)*	2695 (5941)	3204 (7064)	2394 (5278)
-2,0 m (-78.7 in)		1257* (2771)*	1063 (2344)	1257* (2771)*	987 (2176)	-	-	-	-	1778* (3920)*	1254 (2765)	1496 (3298)	1156 (2549)	2408* (5309)*	1726 (3805)	2055 (4530)	1573 (3468)	3246* (7156)	2733 (6025)	3242 (7147)	2429 (5355)

Tab.6: Lifting force table ET90 – Adjustable boom, long dipper stick, hybrid track, without additional rear weight



**WACKER
NEUSON**
all it takes!

Lifting force tables ET90 – Adjustable boom

						6,0 m (236.2 in)				5,0 m (196.8 in)				4,0 m (157.5 in)				3,0 m (118.1 in)			
A	B																				
		Blade down	Blade up	Blade back		Blade down	Blade up	Blade back		Blade down	Blade up	Blade back		Blade down	Blade up	Blade back					
4,0 m (157.5 in)		1754* (3867)*	1209 (2665)	1410 (3109)	1123 (2476)	-	-	-	-	1823* (4019)*	1606 (3541)	1823* (4019)*	1487 (3278)	2016* (4445)*	2016* (4445)*	2016* (4445)*	2016* (4445)*	-	-	-	-
3,0 m (118.1 in)		1685* (3715)*	1057 (2330)	1241 (2736)	982 (2165)	1715* (3781)*	1137 (2507)	1329 (2930)	1056 (2328)	1927* (4248)*	1553 (3424)	1797 (3962)	1436 (3166)	2294* (5057)*	2236 (4930)	2294* (5057)*	2046 (4511)	3028* (6676)*	3028* (6676)*	3028* (6676)*	3028* (6676)*
2,0 m (78.7 in)		1638* (3611)*	981 (2163)	1158 (2553)	911 (2008)	1753* (3864)*	1106 (2438)	1299 (2864)	1026 (2262)	2080* (4586)*	1477 (3256)	1721 (3794)	1363 (3005)	2654* (5851)*	2076 (4577)	2405 (5302)	1894 (4176)	3608* (7954)*	3334 (7350)	3608* (7954)*	2967 (6541)
1,0 m (39.4 in)		1597* (3521)*	957 (2110)	1133 (2498)	888 (1958)	1778* (3920)*	1071 (2361)	1264 (2787)	992 (2187)	2201* (4852)*	1404 (3095)	1647 (3631)	1292 (2848)	2916* (6429)*	1935 (4266)	2264 (4991)	1760 (3880)	4294* (9467)*	3045 (6713)	3555 (7837)	2700 (5952)
0,0 m (0 in)		1545* (3406)*	981 (2163)	1162 (2562)	909 (2004)	1718* (3788)*	1047 (2308)	1239 (2732)	969 (2136)	2215* (4883)*	1353 (2983)	1596 (3519)	1243 (2740)	2948* (6499)*	1854 (4087)	2183 (4813)	1684 (3713)	4209* (9279)*	2871 (6329)	3380 (7452)	2539 (5598)
-1,0 m (-39.4 in)		1461* (3221)*	1065 (2348)	1260 (2778)	986 (2174)	-	-	-	-	2060* (4542)*	1334 (2941)	1577 (3477)	1225 (2701)	2736* (6032)*	1830 (4034)	2159 (4760)	1661 (3662)	3707* (8173)*	2875 (6338)	3384 (7460)	2543 (5606)
-2,0 m (-78.7 in)		1294* (2853)*	1255 (2767)	1294* (2853)*	1158 (2553)	-	-	-	-	1614* (3558)*	1358 (2994)	1601 (3530)	1248 (2751)	2252* (4965)*	1854 (4087)	2183 (4813)	1683 (3710)	2955* (6515)*	2927 (6453)	2955* (6515)*	2592 (5714)

Tab.7: Lifting force table ET90 – Adjustable boom, short dipper stick, steel track 600mm, without additional rear weight

						5,0 m (196.8 in)				4,0 m (157.5 in)				3,0 m (118.1 in)				2,0 m (78.7 in)			
A	B																				
		Blade down	Blade up	Blade back		Blade down	Blade up	Blade back		Blade down	Blade up	Blade back		Blade down	Blade up	Blade back					
4,0 m (157.5 in)		1624* (3580)*	1099 (2423)	1286 (2835)	1021 (2251)	1621* (3574)*	1158 (2553)	1351 (2978)	1075 (2370)	1702* (3752)*	1624 (3580)	1702* (3752)*	1503 (3314)	1850* (4079)*	1850* (4079)*	1850* (4079)*	1850* (4079)*	-	-	-	-
3,0 m (118.1 in)		1567* (3455)*	971 (2141)	1144 (2522)	901 (1986)	1633* (3600)*	1144 (2522)	1337 (2948)	1062 (2341)	1823* (4019)*	1566 (3452)	1810 (3990)	1448 (3192)	2134* (4705)*	2134* (4705)*	2134* (4705)*	2077 (4579)	2708* (5970)*	2708* (5970)*	2708* (5970)*	2708* (5970)*
2,0 m (78.7 in)		1528* (3369)*	904 (1993)	1071 (2361)	839 (1850)	1695* (3737)*	1106 (2438)	1298 (2862)	1025 (2260)	1995* (4398)*	1484 (3272)	1728 (3810)	1369 (3018)	2516* (5547)*	2104 (4639)	2434 (5366)	1919 (4231)	3402* (7500)*	3391 (7476)	3402* (7500)*	3018 (6654)
1,0 m (39.4 in)		1493* (3292)*	882 (1945)	1048 (2310)	817 (1801)	1747* (3851)*	1063 (2344)	1256 (2769)	984 (2169)	2145* (4729)*	1403 (3093)	1646 (3629)	1291 (2846)	2831* (6241)*	1947 (4292)	2277 (5020)	1771 (3904)	4166* (9184)*	3060 (6746)	3571 (7873)	2713 (5981)
0,0 m (0 in)		1452* (3201)*	900 (1984)	1072 (2363)	834 (1839)	1733* (3821)*	1031 (2273)	1224 (2698)	953 (2101)	2200* (4850)*	1342 (2959)	1585 (3494)	1232 (2716)	2937* (6475)*	1847 (4072)	2176 (4797)	1676 (3695)	4295* (9469)*	2851 (6285)	3361 (7410)	2520 (5556)
-1,0 m (-39.4 in)		1377* (3036)*	963 (2123)	1144 (2522)	891 (1964)	1574* (3470)*	1022 (2253)	1214 (2676)	943 (2079)	2104* (4639)*	1312 (2892)	1555 (3428)	1203 (2652)	2801* (6175)*	1807 (3984)	2136 (4709)	1637 (3609)	3912* (8624)*	2833 (6246)	3343 (7370)	2503 (5518)
-2,0 m (-78.7 in)		1257* (2771)*	1120 (2469)	1257* (2771)*	1034 (2280)	-	-	-	-	1778* (3920)*	1321 (2912)	1564 (3448)	1212 (2672)	2408* (5309)*	1816 (4004)	2145 (4729)	1646 (3629)	3246* (7156)*	2871 (6329)	3246* (7156)*	2538 (5595)

Tab.8: Lifting force table ET90 – Adjustable boom, long dipper stick, steel track 600mm, without additional rear weight



**WACKER
NEUSON**
all it takes!

Lifting force tables ET90 – Adjustable boom

						6,0 m (236.2 in)				5,0 m (196.8 in)				4,0 m (157.5 in)				3,0 m (118.1 in)			
A	B																				
		Blade down	Blade up	Blade back		Blade down	Blade up	Blade back		Blade down	Blade up	Blade back		Blade down	Blade up	Blade back		Blade down	Blade up	Blade back	
4,0 m (157.5 in)		1764* (3889)*	1242 (2738)	1443 (3181)	1159 (2555)	-	-	-	-	1823* (4019)*	1646 (3629)	1823* (4019)*	1530 (3373)	2016* (4445)*	2016* (4445)*	2016* (4445)*	2016* (4445)*	-	-	-	-
3,0 m (118.1 in)		1685* (3715)*	1088 (2399)	1272 (2804)	1016 (2240)	1715* (3781)*	1168 (2575)	1361 (3000)	1091 (2405)	1927* (4248)*	1593 (3512)	1837 (4050)	1480 (3263)	2294* (5057)*	2289 (4046)	2294* (5057)*	2104 (4639)	3028* (6676)*	3028* (6676)*	3028* (6676)*	3028* (6676)*
2,0 m (78.7 in)		1638* (3611)*	1010 (2227)	1187 (2617)	943 (2079)	1753* (3865)*	1138 (2509)	1331 (2934)	1061 (2339)	2080* (4586)*	1517 (3344)	1761 (3882)	1407 (3102)	2654* (5851)*	2129 (4694)	2460 (5423)	1951 (4301)	3608* (7954)*	3415 (7529)	3608* (7954)*	3053 (6731)
1,0 m (39.4 in)		1597* (3521)*	986 (2174)	1162 (2562)	920 (2028)	1778* (3920)*	1103 (2432)	1296 (2857)	1027 (2264)	2201* (4852)*	1443 (3181)	1687 (3719)	1336 (2945)	2916* (6429)*	1988 (4383)	2318 (5110)	1818 (4008)	4294* (9467)*	3126 (6892)	3638 (8020)	2786 (6142)
0,0 m (0 in)		1545* (3406)*	1010 (2227)	1192 (2628)	942 (2077)	1718* (3788)*	1079 (2379)	1271 (2802)	1004 (2213)	2215* (4883)*	1392 (3069)	1636 (3607)	1287 (2837)	2948* (6499)*	1908 (4206)	2238 (4934)	1741 (3838)	4209* (9279)*	2952 (6508)	3463 (7635)	2626 (5789)
-1,0 m (-39.4 in)		1461* (3221)*	1097 (2418)	1292 (2848)	1021 (2251)	-	-	-	-	2060* (4542)*	1373 (3027)	1617 (3565)	1269 (2798)	2736* (6032)*	1884 (4153)	2214 (4881)	1719 (3790)	3707* (8173)*	2956 (6517)	3467 (7643)	2629 (5796)
-2,0 m (-78.7 in)		1294* (2853)*	1292 (2848)	1294* (2853)*	1198 (2641)	-	-	-	-	1614* (3558)*	1397 (3080)*	1614* (3558)*	1292 (2848)	2252* (4965)*	1907 (4204)	2237 (4932)	1741 (3838)	2955* (6515)*	2955* (6515)*	2955* (6515)*	2678 (5904)

Tab.9: Lifting force table ET90 – Adjustable boom, short dipper stick, rubber track, with additional rear weight

						5,0 m (196.8 in)				4,0 m (157.5 in)				3,0 m (118.1 in)				2,0 m (78.7 in)			
A	B																				
		Blade down	Blade up	Blade back		Blade down	Blade up	Blade back		Blade down	Blade up	Blade back		Blade down	Blade up	Blade back		Blade down	Blade up	Blade back	
4,0 m (157.5 in)		1624* (3580)	1130 (2491)	1317 (2903)	1055 (2326)	1621* (3574)*	1189 (2621)	1383 (3049)	1110 (2447)	1702* (3752)*	1663 (3666)	1702* (3752)*	1546 (3408)	1850* (4079)*	1850* (4079)*	1850* (4079)*	1850* (4079)*	-	-	-	-
3,0 m (118.1 in)		1567* (3455)*	999 (2202)	1173 (2586)	933 (2057)	1633* (3600)*	1175 (2590)	1369 (3013)	1097 (2418)	1823* (4019)*	1606 (3541)	1823* (4019)*	1491 (3287)	2134* (4705)*	2134* (4705)*	2134* (4705)*	2134* (4705)*	2708* (5970)*	2708* (5970)*	2708* (5970)*	2708* (5970)*
2,0 m (78.7 in)		1528* (3369)*	932 (2055)	1099 (2423)	869 (1916)	1695* (3737)*	1137 (2507)	1330 (2932)	1060 (2337)	1995* (4398)*	1524 (3360)	1768 (3898)	1413 (3115)	2516* (5547)	2157 (4755)	2488 (5485)	1977 (4359)	3402* (7500)*	3402* (7500)*	3402* (7500)*	3105 (6845)
1,0 m (39.4 in)		1493* (3292)*	909 (2004)	1076 (2372)	848 (1870)	1747* (3851)*	1095 (2414)	1288 (2840)	1019 (2247)	2145* (4729)*	1442 (3179)	1686 (3717)	1334 (2941)	2831* (6241)*	2001 (4411)	2331 (5139)	1828 (4030)	4166* (9184)*	3142 (6927)	3654 (8056)	2799 (6171)
0,0 m (0 in)		1452* (3201)	928 (2046)	1100 (2425)	865 (1907)	1733* (3821)*	1063 (2344)	1256 (2769)	988 (2178)	2200* (4850)*	1381 (3045)	1625 (3583)	1275 (2811)	2937* (6475)*	1901 (4191)	2230 (4916)	1733 (3821)	4295* (9469)*	2933 (6466)	3444 (7593)	2606 (5745)
-1,0 m (-39.4 in)		1377* (3036)*	993 (2189)	1174 (2588)	924 (2037)	1574* (3470)*	1053 (2321)	1246 (2747)	978 (2156)	2104* (4639)*	1352 (2981)	1595 (3516)	1247 (2749)	2801* (6175)*	1860 (4101)	2190 (4828)	1695 (3737)	3912* (8624)*	2915 (6426)	3426 (7553)	2589 (5708)
-2,0 m (-78.7 in)		1257* (2771)*	1154 (2544)	1257* (2771)*	1071 (2361)	-	-	-	-	1778* (3920)*	1360 (2999)	1604 (3536)	1255 (2767)	2408* (5309)*	1870 (4123)	2200 (4850)	1704 (3757)	3246* (7156)*	2953 (6510)	3246* (7156)*	2624 (5785)

Tab.10: Lifting force table ET90 – Adjustable boom, long dipper stick, rubber track, with additional rear weight



**WACKER
NEUSON**
all it takes!

Lifting force tables ET90 – Adjustable boom

						6,0 m (236.2 in)				5,0 m (196.8 in)				4,0 m (157.5 in)				3,0 m (118.1 in)			
A	B																				
		Blade down	Blade up	Blade back		Blade down	Blade up	Blade back		Blade down	Blade up	Blade back		Blade down	Blade up	Blade back		Blade down	Blade up	Blade back	
4,0 m (157.5 in)		1754* (3867)*	1283 (2829)	1484 (3272)	1193 (2630)	-	-	-	-	1823* (4019)*	1695 (3737)	1823* (4019)*	1571 (3463)	2016* (4445)*	2016* (4445)*	2016* (4445)*	2016* (4445)*	-	-	-	-
3,0 m (118.1 in)		1685* (3715)*	1125 (2480)	1309 (2886)	1047 (2308)	1715* (3781)*	1207 (2661)	1401 (3089)	1123 (2476)	1927* (4248)*	1642 (3620)	1886 (4158)	1520 (3351)	2294* (5057)*	2294* (5057)*	2294* (5057)*	2157 (4755)	3028* (6676)*	3028* (6676)*	3028* (6676)*	3028* (6676)*
2,0 m (78.7 in)		1638* (3611)*	1046 (2306)	1223 (2696)	973 (2145)	1753* (3865)*	1177 (2595)	1370 (3020)	1093 (2410)	2080* (4586)*	1566 (3452)	1810 (3990)	1447 (3190)	2654* (5851)*	2195 (4839)	2526 (5569)	2005 (4420)	3608* (7954)*	3516 (7751)	3608* (7954)*	3133 (6907)
1,0 m (39.4 in)		1597* (3521)*	1021 (2251)	1198 (2641)	949 (2092)	1778* (3920)*	1142 (2518)	1335 (2943)	1059 (2335)	2201* (4852)*	1492 (3289)	1736 (3827)	1376 (3034)	2916* (6429)*	2054 (4528)	2385 (5258)	1872 (4127)	4294* (9467)*	3227 (7114)	3739 (8243)	2866 (6318)
0,0 m (0 in)		1545* (3406)*	1047 (2308)	1229 (2709)	972 (2143)	1718* (3788)*	1118 (2465)	1311 (2890)	1036 (2284)	2215* (4883)*	1441 (3177)	1685 (3715)	1327 (2926)	2948* (6499)*	1974 (4352)	2304 (5079)	1795 (3957)	4209* (9279)*	3053 (6731)	3565 (7859)	2705 (5964)
-1,0 m (-39.4 in)		1461* (3221)*	1137 (2507)	1332 (2937)	1054 (2324)	-	-	-	-	2060* (4542)*	1423 (3137)	1666 (3673)	1309 (2886)	2736* (6032)*	1950 (4299)	2280 (5027)	1772 (3907)	3707* (8173)*	3057 (6740)	3569 (7868)	2709 (5972)
-2,0 m (-78.7 in)		1294* (2853)*	1294* (2853)*	1294* (2853)*	1235 (2723)	-	-	-	-	1614* (3558)*	1446 (3188)	1614* (3558)*	1332 (2937)	2252* (4965)*	1973 (4350)	2252* (4965)*	1795 (3957)	2955* (6515)*	2955* (6515)*	2955* (6515)*	2757 (6078)

Tab.11: Lifting force table ET90 – Adjustable boom, short dipper stick, Steel track, with additional rear weight

						5,0 m (196.8 in)				4,0 m (157.5 in)				3,0 m (118.1 in)				2,0 m (78.7 in)			
A	B																				
		Blade down	Blade up	Blade back		Blade down	Blade up	Blade back		Blade down	Blade up	Blade back		Blade down	Blade up	Blade back		Blade down	Blade up	Blade back	
4,0 m (157.5 in)		1624* (3580)*	1168 (2575)	1355 (2987)	1086 (2394)	1621* (3574)*	1228 (2707)	1422 (3135)	1143 (2520)	1702* (3752)*	1702* (3752)*	1702* (3752)*	1587 (3499)	1850* (4079)*	1850* (4079)*	1850* (4079)*	1850* (4079)*	-	-	-	-
3,0 m (118.1 in)		1567* (3455)*	1034 (2280)	1208 (2663)	962 (2121)	1633* (3600)*	1214 (2676)	1408 (3104)	1129 (2489)	1823* (4019)*	1655 (3649)	1823* (4019)*	1532 (3377)	2134* (4705)*	2134* (4705)*	2134* (4705)*	2134* (4705)*	2708* (5970)*	2708* (5970)*	2708* (5970)*	2708* (5970)*
2,0 m (78.7 in)		1528* (3369)*	965 (2127)	1133 (2498)	898 (1980)	1695* (3737)*	1176 (2593)	1369 (3018)	1092 (2407)	1995* (4398)*	1573 (3468)	1817 (4006)	1453 (3203)	2516* (5547)*	2223 (4901)	2516* (5547)*	2031 (4478)	3402* (7500)*	3402* (7500)*	3402* (7500)*	3184 (7020)
1,0 m (39.4 in)		1493* (3292)*	943 (2079)	1110 (2447)	876 (1931)	1747* (3851)*	1134 (2500)	1327 (2926)	1051 (2317)	2145* (4729)*	1491 (3287)	1735 (3825)	1374 (3029)	2831* (6421)*	2067 (4557)	2397 (5284)	1882 (4149)	4166* (9184)*	3243 (7150)	3755 (8278)	2879 (6347)
0,0 m (0 in)		1452* (3201)*	963 (2123)	1135 (2502)	894 (1971)	1733* (3821)*	1102 (2429)	1295 (2855)	1020 (2249)	2200* (4050)*	1430 (3153)	1674 (3691)	1316 (2901)	2937* (6475)*	1967 (4336)	2297 (5064)	1787 (3940)	4295* (9469)*	3034 (6688)	3545 (7815)	2686 (5922)
-1,0 m (-39.4 in)		1377* (3036)*	1029 (2269)	1211 (2670)	954 (2103)	1574* (3470)*	1092 (2407)	1285 (2833)	1011 (2229)	2104* (4639)*	1401 (3089)	1644 (3624)	1287 (2837)	2801* (6175)*	1926 (4246)	2256 (4974)	1749 (3856)	3912* (8624)*	3016 (6649)	3527 (7776)	2669 (5884)
-2,0 m (-78.7 in)		1257* (2771)*	1195 (2635)	1257* (2771)*	1105 (2436)	-	-	-	-	1778* (3920)*	1409 (3106)	1653 (3644)	1296 (2857)	2408* (5308)*	1936 (4269)	2266 (4996)	1758 (3876)	3246* (7156)*	3054 (6733)	3246* (7156)*	2704 (5961)

Tab.12: Lifting force table ET90 – Adjustable boom, long dipper stick, steel track, with additional rear weight



**WACKER
NEUSON**
all it takes!

Lifting force tables ET90 – Adjustable boom

						6,0 m (236.2 in)				5,0 m (196.8 in)				4,0 m (157.5 in)				3,0 m (118.1 in)			
A	B																				
		Blade down	Blade up	Blade back		Blade down	Blade up	Blade back		Blade down	Blade up	Blade back		Blade down	Blade up	Blade back		Blade down	Blade up	Blade back	
4,0 m (157.5 in)		1754* (3867)*	1265 (2789)	1466 (3232)	1178 (2597)	-	-	-	-	1823* (4019)*	1673 (3689)	1823* (4019)*	1553 (3424)	2016* (4445)*	2016* (4445)*	2016* (4445)*	2016* (4445)*	-	-	-	-
3,0 m (118.1 in)		1685* (3715)*	1109 (2445)	1293 (2851)	1033 (2277)	1715* (3781)*	1190 (2624)	1383 (3049)	1109 (2445)	1927* (4248)*	1620 (3571)	1865 (4111)	1502 (3311)	2294* (5057)*	2294* (5057)*	2294* (5057)*	2134 (4705)	3028* (6676)*	3028* (6676)*	3028* (6676)*	3028* (6676)*
2,0 m (78.7 in)		1638* (3611)*	1030 (2271)	1207 (2661)	960 (2116)	1753* (3865)*	1160 (2557)	1353 (2983)	1079 (2379)	2080* (4586)*	1545 (3406)	1789 (3944)	1429 (3150)	2654* (5851)*	2166 (4775)	2497 (5505)	1981 (4367)	3608* (7954)*	3472 (7654)	3608* (7954)*	3098 (6830)
1,0 m (39.4 in)		1597* (3521)*	1006 (2218)	1182 (2606)	936 (2064)	1778* (3920)*	1124 (2478)	1318 (2906)	1045 (2304)	2201* (4852)*	1471 (3243)	1715 (3781)	1359 (2996)	2916* (6429)*	2025 (4464)	2356 (5194)	1848 (4074)	4294* (9467)*	3183 (7017)	3695 (8146)	2831 (6241)
0,0 m (0 in)		1545* (3406)*	1031* (2273)*	1213 (2674)	959 (2114)	1718* (3788)*	1100 (2425)	1293 (2851)	1022 (2253)	2215* (4883)*	1420 (3131)	1663 (3666)	1309 (2886)	2948* (6499)*	1945 (4288)	2275 (5016)	1771 (3904)	4209* (9279)*	3009 (6634)	3520 (7760)	2670 (5886)
-1,0 m (-39.4 in)		1461* (3221)*	1119 (2467)	1315 (2899)	1039 (2291)	-	-	-	-	2060* (4542)*	1401 (3089)	1645 (3627)	1291 (2846)	2736* (6032)*	1921 (4235)	2251 (4963)	1749 (3856)	3707* (8173)*	3013 (6643)	3524 (7769)	2674 (5895)
-2,0 m (-78.7 in)		1294* (2853)*	1294* (2853)*	1294* (2853)*	1219 (2687)	-	-	-	-	1614* (3558)*	1425 (3142)	1614* (3558)*	1314 (2897)	2252* (4965)*	1944 (4286)	2252* (4965)*	1771 (3904)	2955* (6515)*	2955* (6515)*	2955* (6515)*	2722 (6001)

Tab.13: Lifting force tab ET90 – Adjustable boom, short dipper stick, hybrid track, with additional rear weight

						5,0 m (196.8 in)				4,0 m (157.5 in)				3,0 m (118.1 in)				2,0 m (78.7 in)			
A	B																				
		Blade down	Blade up	Blade back		Blade down	Blade up	Blade back		Blade down	Blade up	Blade back		Blade down	Blade up	Blade back		Blade down	Blade up	Blade back	
4,0 m (157.5 in)		1624* (3580)*	1151 (2538)	1339 (2952)	1072 (2363)	1621* (3574)*	1211 (2670)	1405 (3097)	1128 (2487)	1702* (3752)*	1691 (3728)	1702* (3752)*	1569 (3459)	1850* (4079)*	1850* (4079)*	1850* (4079)*	1850* (4079)*	-	-	-	-
3,0 m (118.1 in)		1567* (3455)*	1019 (2247)	1193 (2630)	949 (2092)	1633* (3600)*	1197 (2639)	1391 (3067)	1115 (2458)	1823* (4019)*	1633 (3600)	1823* (4019)*	1514 (3338)	2134* (4705)*	2134* (4705)*	2134* (4705)*	2134* (4705)*	2708* (5970)*	2708* (5970)*	2708* (5970)*	2708* (5970)*
2,0 m (78.7 in)		1528* (3369)*	951 (2097)	1118 (2465)	885 (1951)	1695* (3737)*	1159 (2555)	1352 (2981)	1078 (2377)	1995* (4398)*	1552 (3422)	1796 (3960)	1435 (3164)	2516* (5547)*	2194 (4837)	2516* (5547)*	2007 (4425)	3402* (7500)*	3402* (7500)*	3402* (7500)*	3149 (6942)
1,0 m (39.4 in)		1493* (3292)*	928 (2046)	1095 (2414)	864 (1905)	1747* (3851)*	1117 (2463)	1310 (2888)	1037 (2286)	2145* (4729)*	1470 (3241)	1714 (3779)	1357 (2992)	2831* (6241)*	2038 (4493)	2368 (5221)	1858 (4096)	4166* (9184)*	3199 (7053)	3711 (8181)	2844 (6270)
0,0 m (0 in)		1452* (3201)*	948 (2090)	1120 (2469)	881 (1949)	1733* (3821)*	1085 (2392)	1278 (2818)	1006 (2218)	2200* (4850)*	1409 (3106)	1652 (3652)	1298 (2862)	2937* (6475)*	1938 (4273)	2268 (5000)	1764 (3889)	4295* (9469)*	2990 (6592)	3501 (7718)	2651 (5844)
-1,0 m (-39.4 in)		1377* (3036)*	1013 (2233)	1195 (2635)	941 (2075)	1574* (3470)*	1075 (2370)	1268 (2795)	996 (2196)	2104* (4639)*	1379 (3040)	1623 (3578)	1270 (2800)	2801* (6175)*	1897 (4182)	2227 (4910)	1725 (3803)	3912* (8624)*	2972 (6552)	3483 (7679)	2634 (5807)
-2,0 m (-78.7 in)		1257* (2771)*	1177 (2595)	1257* (2771)*	1090 (2403)	-	-	-	-	1778* (3920)*	1388 (3060)	1631 (3596)	1278 (2818)	2408* (5309)*	1907 (4204)	2237 (4932)	1734 (3823)	3246* (7156)*	3009 (6634)	3246* (7156)*	2669 (5884)

Tab.14: Lifting force table ET90 – Adjustable boom, long dipper stick, hybrid track, with additional rear weight



**WACKER
NEUSON**
all it takes!

Lifting force tables ET90 – Adjustable boom

						6,0 m (236.2 in)				5,0 m (196.8 in)				4,0 m (157.5 in)				3,0 m (118.1 in)			
A	B																				
		Blade down	Blade up	Blade back		Blade down	Blade up	Blade back		Blade down	Blade up	Blade back		Blade down	Blade up	Blade back		Blade down	Blade up	Blade back	
4,0 m (157.5 in)		1754* (3867)*	1320 (2910)	1521 (3353)	1224 (2698)	-	-	-	-	1823* (4019)*	1740 (3836)	1823* (4019)*	1608 (3545)	2016* (4445)*	2016* (4445)*	2016* (4445)*	2016* (4445)*	-	-	-	-
3,0 m (118.1 in)		1685* (3715)*	1160 (2557)	1344 (2963)	1075 (2370)	1715* (3781)*	1244 (2743)	1437 (3168)	1153 (2542)	1927* (4248)*	1687 (3720)	1927* (4248)*	1558 (3435)	2294* (5057)*	2294* (5057)*	2294* (5057)*	2207 (4866)	3028* (6676)*	3028* (6676)*	3028* (6676)*	3028* (6676)*
2,0 m (78.7 in)		1638* (3612)*	1079 (2379)	1257 (2771)	1001 (2207)	1753* (3865)*	1213 (2674)	1406 (3100)	1124 (2478)	2080* (4586)*	1612 (3554)	1856 (4092)	1485 (3274)	2654* (5851)*	2256 (4974)	2587 (5703)	2055 (4530)	3608* (7954)*	3608* (7954)*	3608* (7954)*	3207 (7070)
1,0 m (39.4 in)		1597* (3521)*	1055 (2326)	1231 (2714)	977 (2154)	1778* (3920)*	1178 (2597)	1371 (3023)	1089 (2401)	2201* (4852)*	1538 (3391)	1782 (3929)	1414 (3117)	2916* (6429)*	2116 (4465)	2446 (5393)	1921 (4235)	4294* (9467)*	3321 (7322)	3834 (8453)	2940 (6482)
0,0 m (0 in)		1545* (3406)*	1081 (2383)	1263 (2784)	1001 (2207)	1718* (3788)*	1154 (2544)	1347 (2970)	1066 (2350)	2215* (4883)*	1487 (3278)	1731 (3816)	1365 (3009)	2948* (6500)*	2035 (4486)	2365 (5214)	1845 (4068)	4209* (9780)*	3147 (6938)	3659 (8067)	2780 (6129)
-1,0 m (-39.4 in)		1461* (3221)*	1173 (2586)	1369 (3018)	1084 (2390)	-	-	-	-	2060* (4542)*	1468 (3236)	1712 (3774)	1347 (2970)	2736* (6032)*	2011 (4433)	2341 (5359)	1822 (4017)	3707* (8173)*	3151 (6945)	3663 (8076)	2783 (6135)
-2,0 m (-78.7 in)		1294* (2853)*	1294* (2853)*	1294* (2853)*	1270 (2800)	-	-	-	-	1614* (3558)*	1492 (3289)	1614* (3558)*	1370 (3020)	2252* (4965)*	2035 (4486)	2252* (4965)*	1844 (4065)	2955* (6515)*	2955* (6515)*	2955* (6515)*	2832 (6243)

Tab. 15: Lifting force table ET90 – Adjustable boom, short dipper stick, steel track 600mm, with additional rear weight

						5,0 m (196.8 in)				4,0 m (157.5 in)				3,0 m (118.1 in)				2,0 m (78.7 in)			
A	B																				
		Blade down	Blade up	Blade back		Blade down	Blade up	Blade back		Blade down	Blade up	Blade back		Blade down	Blade up	Blade back		Blade down	Blade up	Blade back	
4,0 m (157.5 in)		1624* (3580)*	1203 (2652)	1391 (3067)	1115 (2458)	1621* (3574)*	1265 (2789)	1458 (3214)	1173 (2586)	1702* (3752)*	1702* (3752)*	1702* (3752)*	1624 (3580)	1850* (4079)*	1850* (4079)*	1850* (4079)*	1850* (4079)*	-	-	-	-
3,0 m (118.1 in)		1567* (3455)*	1067 (2352)	1241 (2736)	989 (2180)	1633* (3600)*	1251 (2758)	1444 (3183)	1159 (2555)	1823* (4019)*	1700 (3748)	1823* (4019)*	1569 (3459)	2134* (4705)*	2134* (4705)*	2134* (4705)*	2134* (4705)*	2708* (5970)*	2708* (5970)*	2708* (5970)*	2708* (5970)*
2,0 m (78.7 in)		1528* (3369)*	997 (2198)	1165 (2568)	924 (2037)	1695* (3737)*	1212 (2672)	1406 (3100)	1122 (2474)	1995* (4398)*	1619 (3569)	1863 (4107)	1491 (3287)	2516* (5547)*	2285 (5038)*	2516* (5547)*	2081 (4588)	3402* (7500)*	3402* (7500)*	3402* (7500)*	3259 (7185)
1,0 m (39.4 in)		1493* (3292)*	974 (2147)	1141 (2515)	902 (1989)	1747* (3851)*	1170 (2580)	1364 (3007)	1081 (2383)	2145* (4729)	1537 (3389)	1781 (3926)	1412 (3113)	2831* (6241)*	2128 (4691)	2459 (5421)	1932 (4259)	4166* (9184)*	3337 (7357)	3850 (8488)	2953 (6510)
0,0 m (0 in)		1452* (3201)*	995 (2194)	1167 (2573)	921 (2030)	1733* (3021)*	1138 (2509)	1331 (2934)	1050 (2315)	2200* (4850)*	1476 (3254)	1720 (3792)	1353 (2983)	2937* (6475)*	2028 (4471)	2358 (5199)	1837 (4050)	4295* (9469)*	3128 (6896)	3640 (8025)	2760 (6085)
-1,0 m (-39.4 in)		1377* (3036)*	1064 (2346)	1245 (2745)	983 (2167)	1574* (3470)*	1128 (2487)	1321 (2912)	1041 (2295)	2104* (4639)*	1446 (3188)	1690 (3726)	1325 (2921)	2801* (6175)*	1988 (4383)	2318 (5110)	1799 (3966)	3912* (8624)*	3110 (6856)	3621 (7982)	2743 (6047)
-2,0 m (-78.7 in)		1257* (2771)*	1234 (2721)	1257* (2771)*	1137 (2507)	-	-	-	-	1778* (3920)*	1455 (3208)	1699 (3746)	1333 (2939)	2408* (5309)*	1997 (4403)	2327 (5130)	1808 (3986)	3246* (7156)*	3147 (6938)	3246* (7156)*	2778 (6124)

Tab. 16: Lifting force table ET90 – Adjustable boom, long dipper stick, steel track, with additional rear weight



Lifting force tables ET90 - Boom

						6,0 m (236.2 in)				5,0 m (196.8 in)				4,0 m (157.5 in)				3,0 m (118.1 in)							
A	B																								
		Blade down	Blade up	Blade back		Blade down	Blade up	Blade back		Blade down	Blade up	Blade back		Blade down	Blade up	Blade back		Blade down	Blade up	Blade back		Blade down	Blade up	Blade back	
4,0 m (157.5 in)		1847* (4072)*	1367 (3014)	1552 (3422)	1207 (2661)	1857* (4094)*	1628 (3589)	1839 (4054)	1438 (3170)	1961* (4323)*	1961* (4323)*	1961* (4323)*	1961* (4323)*	-	-	-	-	-	-	-	-	-	-	-	-
3,0 m (118.1 in)		1818* (4008)*	1186 (2615)	1354 (2985)	1045 (2304)	1964* (4330)*	1589 (3505)	1799 (3966)	1400 (3086)	2260* (4982)*	2260* (4982)*	2260* (4982)*	1987 (4381)	-	-	-	-	-	-	-	-	-	-	-	-
2,0 m (78.7 in)		1814* (3999)*	1096 (2416)	1257 (2771)	964 (2125)	2145* (4729)*	1527 (3366)	1737 (3829)	1340 (2954)	2681* (5911)*	2142 (4722)	2428 (5353)	1863 (4107)	3943* (8693)*	3338 (7359)	3783 (8340)	2832 (6243)	-	-	-	-	-	-	-	-
1,0 m (39.4 in)		1821* (4015)*	1066 (2350)	1226 (2703)	936 (2064)	2309* (5090)*	1464 (3228)	1674 (3691)	1280 (2822)	3032* (6684)*	2021 (4456)	2306 (5084)	1748 (3854)	4625* (10196)*	3089 (6810)	3532 (7787)	2602 (5736)	-	-	-	-	-	-	-	-
0,0 m (0 in)		1828* (4030)*	1091 (2405)	1256 (2769)	956 (2108)	2369* (5223)*	1418 (3126)	1629 (3591)	1236 (2725)	3155* (6956)*	1946 (4290)	2231 (4919)	1677 (3697)	4601* (10143)*	3006 (6627)	3449 (7604)	2525 (5567)	-	-	-	-	-	-	-	-
-1,0 m (-39.4 in)		1820* (4012)*	1187 (2617)	1366 (3012)	1037 (2286)	2251* (4963)*	1400 (3086)	1610 (3549)	1218 (2685)	3011* (6638)*	1919 (4231)	2204 (4859)	1651 (3640)	4206* (9273)*	2998 (6609)	3440 (7584)	2518 (5551)	6092* (13431)*	6092* (13431)*	6092* (13431)*	5163 (11382)	-	-	-	-
-2,0 m (-78.7 in)		1756* (3871)*	1413 (3115)	1622 (3576)	1232 (2716)	1778* (3920)*	1421 (3133)	1631 (3596)	1238 (2729)	2558* (5639)*	1933 (4262)	2218 (4890)	1665 (3671)	3484* (7681)*	3034 (6689)	3477 (7665)	2551 (5624)	4920* (10847)*	4920* (10847)*	4920* (10847)*	4920* (10847)*	-	-	-	-

Tab.17: Lifting force table ET90 – Boom, short dipper stick, rubber track, without additional rear weight

						5,0 m (196.8 in)				4,0 m (157.5 in)				3,0 m (118.1 in)				2,0 m (78.7 in)							
A	B																								
		Blade down	Blade up	Blade back		Blade down	Blade up	Blade back		Blade down	Blade up	Blade back		Blade down	Blade up	Blade back		Blade down	Blade up	Blade back		Blade down	Blade up	Blade back	
4,0 m (157.5 in)		1706* (3761)*	1244 (2743)	1417 (3124)	1098 (2421)	1712* (3774)*	1641 (3618)	1712* (3774)*	1449 (3195)	1769* (3900)*	1769* (3900)*	1769* (3900)*	1769* (3900)*	-	-	-	-	-	-	-	-	-	-	-	-
3,0 m (118.1 in)		1688* (3721)*	1092 (2407)	1250 (2756)	961 (2119)	1840* (4057)*	1597 (3521)	1808 (3986)	1407 (3102)	2073* (4570)*	2073* (4570)*	2073* (4570)*	2010 (4431)	2488* (5485)*	2488* (5485)*	2488* (5485)*	2488* (5485)*	-	-	-	-	-	-	-	-
2,0 m (78.7 in)		1690* (3726)*	1013 (2233)	1165 (2568)	890 (1962)	2041* (4500)*	1530 (3373)	1741 (3838)	1343 (2961)	2515* (5545)*	2162 (4766)	2449 (5399)	1881 (4147)	3585* (7904)*	3416 (7531)	3585* (7904)*	2902 (6398)	-	-	-	-	-	-	-	-
1,0 m (39.4 in)		1701* (3750)*	985 (2172)	1137 (2507)	863 (1903)	2235* (4927)*	1461 (3221)	1671 (3684)	1276 (2813)	2919* (6435)*	2029 (4473)	2314 (5101)	1754 (3867)	4450* (9811)*	3124 (6887)	3567 (7864)	2632 (5803)	-	-	-	-	-	-	-	-
0,0 m (0 in)		1715* (3781)*	1004 (2213)	1160 (2557)	878 (1936)	2340* (5159)*	1407 (3102)	1617 (3565)	1224 (2698)	3118* (6874)*	1938 (4273)	2223 (4901)	1668 (3677)	4636* (10221)*	2996 (6605)	3438 (7579)	2514 (5542)	-	-	-	-	-	-	-	-
-1,0 m (-39.4 in)		1719* (3790)*	1081 (2383)	1249 (2754)	944 (2081)	2286* (5040)*	1379 (3040)	1589 (3503)	1197 (2639)	3057* (6740)*	1897 (4182)	2182 (4810)	1629 (4253)	4368* (9632)*	2964 (6535)	3407 (7511)	2485 (5478)	6906* (15225)*	6531 (14398)	6906* (15225)*	5064 (11164)	-	-	-	-
-2,0 m (-78.7 in)		1687* (3720)*	1258 (2773)	1450 (3197)	1096 (2416)	1973* (4350)*	1384 (3051)	1594 (3514)	1202 (2650)	2708* (5970)*	1899 (4187)	2184 (4815)	1631 (3596)	3757* (8283)*	2987 (6585)	3429 (7560)	2506 (5525)	5692* (12549)*	5692* (12549)*	5692* (12549)*	5133 (11316)	-	-	-	-

Tab.18: Lifting force table ET90 – Boom, long dipper stick, rubber track, without additional rear weight



**WACKER
NEUSON**
all it takes!

Lifting force tables ET90 - Boom

						6,0 m (236.2 in)				5,0 m (196.8 in)				4,0 m (157.5 in)				3,0 m (118.1 in)			
A B																					
		Blade down	Blade up	Blade back		Blade down	Blade up	Blade back		Blade down	Blade up	Blade back		Blade down	Blade up	Blade back		Blade down	Blade up	Blade back	
4,0 m (157.5 in)		1847* (4072)*	1410 (3109)	1595 (3516)	1243 (2740)	1857* (4094)*	1677 (3697)	1857* (4094)*	1478 (3258)	1961* (4323)*	1961* (4323)*	1961* (4323)*	1961* (4323)*	-	-	-	-	-	-	-	-
3,0 m (118.1 in)		1818* (4008)*	1225 (2701)	1393 (3071)	1078 (2377)	1964* (3735)*	1638 (3611)	1849 (4076)	1440 (3175)	2260* (4982)*	2260* (4982)*	2260* (4982)*	2041 (4982)*	-	-	-	-	-	-	-	-
2,0 m (78.7 in)		1814* (3999)*	1133 (2498)	1294 (2853)	995 (2194)	2145* (4729)*	1576 (3474)	1787 (3940)	1381 (3045)	2681* (5911)*	2208 (4868)	2494 (5498)	1917 (4226)	3943* (8693)*	3439 (7582)	3884 (8563)	2912 (6420)	-	-	-	-
1,0 m (39.4 in)		1821* (4015)*	1103 (2432)	1264 (2787)	967 (2132)	2309* (5090)*	1513 (3336)	1724 (3801)	1320 (2910)	3032* (6684)*	2087 (4601)	2373 (5232)	1802 (3972)	4625* (10196)*	3190 (7033)	3633 (8009)	2682 (5913)	-	-	-	-
0,0 m (0 in)		1828* (4030)*	1130 (2491)	1295 (2855)	988 (2178)	2369* (5223)*	1467 (3234)	1678 (3699)	1276 (2813)	3155* (6956)*	2012 (4436)	2297 (5064)	1730 (3814)	4601* (10143)*	3107 (6850)	3550 (7826)	2605 (5743)	-	-	-	-
-1,0 m (-39.4 in)		1820* (4012)*	1228 (2707)	1408 (3104)	1072 (2363)	2251* (4963)*	1449 (3195)	1659 (3657)	1258 (2773)	3011* (6638)*	1985 (4376)	2270 (5004)	1705 (3759)	4206* (9273)*	3099 (6832)	3542 (7809)	2597 (5725)	6092* (13431)*	6092* (13431)*	6092* (13431)*	5319 (11726)
-2,0 m (-78.7 in)		1756* (3871)*	1461 (3221)	1671 (3684)	1272 (2804)	1778* (3920)*	1470 (3241)	1680 (3704)	1279 (2820)	2558* (5639)*	1999 (4407)	2284 (5035)	1718 (3788)	3484* (7681)*	3135 (6911)	3484* (7681)*	2631 (5800)	4920* (10847)*	4920* (10847)*	4920* (10847)*	4920* (10847)*

Tab.19: Lifting force table ET90 – Boom, short dipper stick, steel track, without additional rear weight

						5,0 m (196.8 in)				4,0 m (157.5 in)				3,0 m (118.1 in)				2,0 m (78.7 in)			
A B																					
		Blade down	Blade up	Blade back		Blade down	Blade up	Blade back		Blade down	Blade up	Blade back		Blade down	Blade up	Blade back		Blade down	Blade up	Blade back	
4,0 m (157.5 in)		1706* (3761)*	1285 (2833)	1457 (3212)	1132 (2496)	1712* (3774)*	1690 (3726)	1712* (3774)*	1490 (3284)	1769* (3900)*	1769* (3900)*	1769* (3900)*	1769* (3900)*	-	-	-	-	-	-	-	-
3,0 m (118.1 in)		1688* (3721)*	1129 (2489)	1287 (2837)	992 (2187)	1840* (4057)*	1646 (3629)	1840* (4057)*	1447 (3191)	2073* (4570)*	2073* (4570)*	2073* (4570)*	2063 (4548)	2488* (5485)*	2488* (5485)*	2488* (5485)*	2488* (5485)*	-	-	-	-
2,0 m (78.7 in)		1690* (3726)*	1049 (2313)	1201 (2648)	920 (2028)	2041* (4500)*	1579 (3481)	1790 (3946)	1383 (3049)	2515* (5545)*	2228 (4912)	2515* (5545)*	1935 (4266)	3585* (7904)*	3517 (7754)	3585* (7904)*	2982 (6574)	-	-	-	-
1,0 m (39.4 in)		1701* (3750)*	1021 (2251)	1172 (2584)	893 (1969)	2235* (4927)*	1510 (3329)	1720 (3792)	1316 (2901)	2919* (6435)*	2095 (4619)	2381 (5249)	1808 (3986)	4450* (9811)*	3225 (7110)	3669 (8089)	2712 (5979)	-	-	-	-
0,0 m (0 in)		1715* (3781)*	1041 (2295)	1197 (2639)	909 (2004)	2340* (5159)*	1456 (3210)	1666 (3673)	1264 (2787)	3118* (6874)*	2004 (4418)	2289 (5046)	1722 (3796)	4636* (10221)*	3096 (6826)	3540 (7804)	2594 (5719)	-	-	-	-
-1,0 m (-39.4 in)		1719* (3790)*	1121 (2471)	1288 (2840)	977 (2154)	2286* (5040)*	1428 (3148)	1638 (3611)	1237 (2727)	3057* (6740)*	1963 (4328)	2248 (4956)	1683 (3710)	4368* (9630)*	3065 (6757)	3508 (7734)	2565 (5655)	6906* (15225)*	6745 (14870)	6906* (15225)*	5220 (11508)
-2,0 m (-78.7 in)		1687* (3719)*	1303 (2873)	1494 (3294)	1133 (2498)	1973* (4350)*	1433 (3159)	1643 (3622)	1242 (2738)	2708* (5970)*	1965 (4332)	2250 (4960)	1685 (3715)	3757* (8283)*	3088 (6808)	3531 (7785)	2585 (5699)	5692* (12549)*	5692* (12549)*	5692* (12549)*	5289 (11660)

Tab.20: Lifting force table ET90 – Boom, long dipper stick, steel track, without additional rear weight



Lifting force tables ET90 - Boom

						6,0 m (236.2 in)				5,0 m (196.8 in)				4,0 m (157.5 in)				3,0 m (118.1 in)			
A B																					
		Blade down	Blade up	Blade back		Blade down	Blade up	Blade back		Blade down	Blade up	Blade back		Blade down	Blade up	Blade back		Blade down	Blade up	Blade back	
4,0 m (157.5 in)		1847* (4072)*	1391 (4257)	1576 (3475)	1227 (2705)	1857* (4094)*	1656 (3651)	1857* (4094)*	1460 (3219)	1961* (4323)*	1961* (4323)*	1961* (4323)*	1961* (4323)*	-	-	-	-	-	-	-	-
3,0 m (118.1 in)		1818* (4008)*	1208 (2663)	1376 (3034)	1064 (2346)	1964* (4330)*	1616 (3563)	1827 (4028)	1423 (3137)	2260* (4982)*	2260* (4982)*	2260* (4982)*	2017 (4447)	-	-	-	-	-	-	-	-
2,0 m (78.7 in)		1814* (3999)*	1117 (2463)	1278 (2818)	982 (2165)	2145* (4729)*	1554 (3426)	1765 (3891)	1363 (3005)	2681* (5911)*	2179 (4804)	2465 (5434)	1893 (4173)	3943* (8693)*	3395 (7485)	3840 (8466)	2877 (6343)	-	-	-	-
1,0 m (39.4 in)		1821* (4015)*	1087 (2396)	1247 (2749)	953 (2101)	2309* (5090)*	1491 (3287)	1702 (3752)	1303 (2873)	3032* (6684)*	2058 (4537)	2344 (5168)	1778 (3920)	4625* (10196)*	3145 (6933)	3589 (7912)	2646 (5833)	-	-	-	-
0,0 m (0 in)		1828* (4030)*	1113 (2454)	1278 (2818)	974 (2147)	2369* (5223)*	1446 (3188)	1656 (3651)	1259 (2776)	3155* (6956)*	1983 (4372)	2268 (5000)	1707 (3763)	4601* (10143)*	3063 (6753)	3505 (7727)	2570 (5666)	-	-	-	-
-1,0 m (-39.4 in)		1820* (4012)*	1210 (2668)	1389 (3062)	1057 (2330)	2251* (4963)*	1427 (3146)	1637 (3609)	1241 (2736)	3011* (6639)*	1956 (4312)	2241 (4941)	1681 (3706)	4206* (9273)*	3055 (6735)	3497 (7710)	2562 (5648)	6092* (13431)*	6092* (13431)*	6092* (13431)*	5250 (11574)
-2,0 m (-78.7 in)		1756* (3871)*	1440 (3175)	1649 (3635)	1254 (2765)	1778* (3920)*	1448 (3192)	1659 (3657)	1261 (2780)	2558* (5639)*	1970 (4343)	2255 (4971)	1695 (3737)	3484* (7681)*	3091 (6815)	3484* (7681)*	2596 (5723)	4920* (10847)*	4920* (10847)*	4920* (10847)*	4920* (10847)*

Tab.21: Lifting force table ET90 – Boom, short dipper stick, Hybrid track, without additional rear weight

						5,0 m (196.8 in)				4,0 m (157.5 in)				3,0 m (118.1 in)				2,0 m (78.7 in)			
A B																					
		Blade down	Blade up	Blade back		Blade down	Blade up	Blade back		Blade down	Blade up	Blade back		Blade down	Blade up	Blade back		Blade down	Blade up	Blade back	
4,0 m (157.5 in)		1706* (3761)*	1267 (2793)	1439 (3172)	1117 (2463)	1712* (3774)*	1669 (3680)	1712* (3774)*	1472 (3245)	1769* (3900)*	1769* (3900)*	1769* (3900)*	1769* (3900)*	-	-	-	-	-	-	-	-
3,0 m (118.1 in)		1688* (3721)*	1113 (2454)	1271 (2802)	979 (2158)	1840* (4057)*	1624 (3580)	1835 (4045)	1429 (3150)	2073* (4570)*	2073* (4570)*	2073* (4570)*	2040 (4497)	2488* (5485)*	2488* (5485)*	2488* (5485)*	2488* (5485)*	-	-	-	-
2,0 m (78.7 in)		1690* (3726)*	1033 (2277)	1186 (2615)	907 (2000)	2041* (4500)*	1558 (3435)	1768 (3898)	1365 (3009)	2515* (5545)*	2199 (4848)	2486 (5481)	1911 (4213)	3585* (7904)*	3472 (7654)	3585* (7904)*	2947 (6497)	-	-	-	-
1,0 m (39.4 in)		1701* (3750)*	1005 (2216)	1157 (2551)	880 (1940)	2235* (4927)*	1488 (3280)	1699 (3746)	1299 (2864)	2919* (6435)*	2066 (4555)	2351 (5183)	1784 (3933)	4450* (9811)*	3181 (7013)	3624 (7990)	2677 (5902)	-	-	-	-
0,0 m (0 in)		1715* (3781)*	1025 (2260)	1181 (2604)	895 (1973)	2340* (5159)*	1434 (3161)	1645 (3627)	1247 (2749)	3118* (6874)*	1975 (4354)	2260 (4982)	1698 (3743)	4636* (10221)*	3052 (6729)	3495 (7705)	2559 (5642)	-	-	-	-
-1,0 m (-39.4 in)		1719* (3790)*	1103 (2432)	1271 (2802)	962 (2121)	2286* (5040)*	1406 (3100)	1616 (3563)	1220 (2690)	3057* (6740)*	1934 (4264)	2219 (4892)	1659 (3657)	4368* (9630)*	3021 (6660)	3464 (7637)	2530 (5578)	6906* (15225)*	6651 (14663)	6906* (15225)*	5152 (11358)
-2,0 m (-78.7 in)		1687* (3719)*	1283 (2829)	1475 (3252)	1117 (2463)	1973* (4350)*	1411 (3111)	1622 (3576)	1225 (2701)	2708* (5970)*	1936 (4268)	2221 (4896)	1661 (3662)	3757* (8283)*	3043 (6709)	3486 (7685)	2550 (5622)	5692* (12549)*	5692* (12549)*	5692* (12549)*	5220 (11508)

Tab.22: Lifting force table ET90 – Boom, long dipper stick, hybrid track, without additional rear weight



Lifting force tables ET90 - Boom

						6,0 m (236.2 in)				5,0 m (196.8 in)				4,0 m (157.5 in)				3,0 m (118.1 in)			
A B																					
		Blade down	Blade up	Blade back		Blade down	Blade up	Blade back		Blade down	Blade up	Blade back		Blade down	Blade up	Blade back		Blade down	Blade up	Blade back	
4,0 m (157.5 in)		1847* (4072)*	1450 (3197)	1636 (3607)	1276 (2813)	1857* (4094)*	1723 (3799)	1857* (4094)*	1516 (3342)	1961* (4323)*	1961* (4323)*	1961* (4323)*	1961* (4323)*	-	-	-	-	-	-	-	-
3,0 m (118.1 in)		1818* (4008)*	1262 (2782)	1430 (3153)	1108 (2443)	1964* (4330)*	1683 (3710)	1894 (4176)	1478 (3258)	2260* (4982)*	2260* (4982)*	2260* (4982)*	2091* (4610)*	-	-	-	-	-	-	-	-
2,0 m (78.7 in)		1814* (3999)*	1168 (2575)	1329 (2930)	1024 (2256)	2154* (4749)*	1621 (3574)	1832 (4039)	1418 (3126)	2681* (5911)*	2269 (5002)	2556 (5635)	1967 (4336)	3943* (8693)*	3533 (7789)	3943* (8693)*	2986 (6583)	-	-	-	-
1,0 m (39.4 in)		1821* (4015)*	1138 (2509)	1298 (2862)	996 (2196)	2309* (5090)*	1559 (3437)	1769 (3900)	1358 (2994)	3032* (6684)*	2148 (4736)	2434 (5366)	1852 (4083)	4625* (10196)*	3283 (7238)	3728 (8219)	2756 (6076)	-	-	-	-
0,0 m (0 in)		1828* (4030)*	1166 (2571)	1331 (2934)	1018 (2244)	2369* (5223)*	1513 (3336)	1724 (3801)	1314 (2897)	3155* (6956)*	2073 (4570)	2359 (5201)	1780 (3924)	4601* (10143)*	3201 (7057)	3644 (8034)	2679 (5906)	-	-	-	-
- 1,0 m (- 39.4 in)		1820* (4012)*	1267 (2793)	1447 (3190)	1104 (2434)	2251* (4963)*	1494 (3294)	1705 (3759)	1296 (2857)	3011* (6638)*	2046 (4550)	2331 (5139)	1754 (3867)	4206* (9273)*	3193 (7039)	3636 (8016)	2672 (5891)	6092* (13431)*	6092* (13431)*	6092* (13431)*	5464 (12046)
- 2,0 m (- 78.7 in)		1756* (3871)*	1507 (3322)	1716 (3783)	1309 (2886)	1778* (3920)*	1515 (3340)	1726 (3805)	1316 (2901)	2558* (5639)*	2060 (4542)	2346 (5172)	1768 (3898)	3484* (7681)*	3229 (7119)	3484* (7681)*	2705 (5964)	4920* (10847)*	4920* (10847)*	4920* (10847)*	4920* (10847)*

Tab.23: Lifting force table ET90 – Boom, short dipper stick, steel track 600mm, without additional rear weight

						5,0 m (196.8 in)				4,0 m (157.5 in)				3,0 m (118.1 in)				2,0 m (78.7 in)			
A B																					
		Blade down	Blade up	Blade back		Blade down	Blade up	Blade back		Blade down	Blade up	Blade back		Blade down	Blade up	Blade back		Blade down	Blade up	Blade back	
4,0 m (157.5 in)		1706* (3761)*	1322 (2915)	1495 (3296)	1163 (2564)	1712* (3774)*	1712* (3774)*	1712* (3774)*	1527 (3366)	1769* (3900)*	1769* (3900)*	1769* (3900)*	1769* (3900)*	-	-	-	-	-	-	-	-
3,0 m (118.1 in)		1688* (3721)*	1163 (2564)	1322 (2915)	1021 (2251)	1840* (4057)*	1691 (3728)	1840* (4057)*	1485 (3274)	2073* (4570)*	2073* (4570)*	2073* (4570)*	2073* (4570)*	2488* (5485)*	2488* (5485)*	2488* (5485)*	2488* (5485)*	-	-	-	-
2,0 m (78.7 in)		1690* (3726)*	1082 (2385)	1234 (2721)	947 (2088)	2041* (4500)*	1625 (3583)	1836 (4048)	1421 (3133)	2515* (5545)*	2290 (5049)	2515* (5545)*	1985 (4376)	3585* (7904)*	3585* (7904)*	3585* (7904)*	3056 (6737)	-	-	-	-
1,0 m (39.4 in)		1701* (3750)*	1054 (2324)	1206 (2659)	921 (2030)	2235* (4927)*	1555 (3428)	1766 (3893)	1354 (2985)	2919* (6435)	2156 (4736)	2442 (5384)	1858 (4096)	4450* (9811)*	3319 (7317)	3763 (8296)	2787 (6144)	-	-	-	-
0,0 m (0 in)		1715* (3781)*	1075 (2370)	1231 (2714)	937 (2066)	2340* (5159)*	1501 (3309)	1712 (3774)	1302 (2870)	3118* (6874)*	2065 (4553)	2351 (5183)	1772 (3907)	4636* (10221)*	3190 (7033)	3634 (8012)	2668 (5882)	-	-	-	-
- 1,0 m (- 39.4 in)		1719* (3790)*	1157 (2551)	1325 (2921)	1007 (2220)	2286* (5040)*	1473 (3247)	1684 (3713)	1275 (2811)	3057* (6740)*	2024 (4462)	2310 (5093)	1733 (3821)	4368* (9630)*	3159 (6964)	3603 (7943)	2639 (5818)	6906* (15225)*	6909* (15225)*	6906* (15225)*	5365 (11828)
- 2,0 m (- 78.7 in)		1687* (3719)*	1344 (2963)	1536 (3386)	1168 (2575)	1973* (4350)*	1478 (3258)	1689 (3724)	1280 (2822)	2708* (5970)*	2026 (4467)	2312 (5097)	1735 (3825)	3757* (8283)*	3181 (7013)	3625 (7992)	2660 (5864)	5692* (12549)*	5692* (12549)*	5692* (12549)*	5434 (11980)

Tab.24: Lifting force table ET90 – Boom, long dipper stick, steel track 600mm, without additional rear weight



Lifting force tables ET90 - Boom

						6,0 m (236.2 in)				5,0 m (196.8 in)				4,0 m (157.5 in)				3,0 m (118.1 in)			
A B																					
		Blade down	Blade up	Blade back		Blade down	Blade up	Blade back		Blade down	Blade up	Blade back		Blade down	Blade up	Blade back		Blade down	Blade up	Blade back	
4,0 m (157.5 in)		1847* (4072)*	1485 (3274)	1671 (3684)	1314 (2897)	1857* (4094)*	1762 (3885)	1857* (4094)*	1559 (3437)	1961* (4323)*	1961* (4323)*	1961* (4323)*	1961* (4323)*	-	-	-	-	-	-	-	-
3,0 m (118.1 in)		1818* (4008)*	1293 (2851)	1462 (3223)	1144 (2522)	1964* (4330)*	1723 (3799)	1935 (4266)	1521 (3353)	2260* (4982)*	2260* (4982)*	2260* (4982)*	2149 (4734)	-	-	-	-	-	-	-	-
2,0 m (78.7 in)		1814* (3999)*	1199 (2643)	1360 (2998)	1058 (2332)	2145* (4729)*	1661 (3662)	1872 (4127)	1462 (3223)	2681* (5911)*	2323 (5121)	2610 (5754)	2024 (4462)	3943* (8693)*	3615 (7970)	3943* (8693)*	3072 (6773)	-	-	-	-
1,0 m (39.4 in)		1821* (4015)*	1169 (2577)	1329 (2930)	1029 (2269)	2309* (5090)*	1598 (3523)	1810 (3990)	1401 (3089)	3032* (6684)*	2202 (4855)	2488 (5485)	1909 (4209)	4625* (10196)	3365 (7419)	3811 (8402)	2842 (6266)	-	-	-	-
0,0 m (0 in)		1828* (4030)*	1197 (2639)	1363 (3005)	1052 (2319)	2369* (5223)*	1553 (3424)	1764 (3889)	1357 (2992)	3155* (6956)*	2126 (4687)	2413 (5320)	1838 (4052)	4601* (10143)*	3282 (7236)	3727 (8217)	2765 (6096)	-	-	-	-
- 1,0 m (- 39.4 in)		1820* (4012)*	1301 (2868)	1481 (3265)	1142 (2518)	2251* (4963)*	1534 (3382)	1745 (3847)	1339 (2952)	3011* (6638)*	2099 (4628)	2386 (5260)	1812 (3995)	4206* (9273)*	3274 (7218)	3719 (8199)	2758 (6080)	6092* (13431)*	6092* (13431)*	6092* (13431)*	5633 (12419)
- 2,0 m (- 78.7 in)		1756* (3871)*	1546 (3408)	1756* (3871)*	1352 (2981)	1778* (3920)*	1555 (3428)	1766 (3893)	1360 (2998)	2558* (5639)*	2114 (4661)	2400 (5291)	1826 (4026)	3484* (7681)*	3311 (7300)	3484* (7681)*	2792 (6155)	4920* (10847)*	4920* (10847)*	4920* (10847)*	4920* (10847)*

Tab.25: Lifting force table ET90 – Boom, short dipper stick, rubber track, with additional rear weight

						5,0 m (196.8 in)				4,0 m (157.5 in)				3,0 m (118.1 in)				2,0 m (78.7 in)			
A B																					
		Blade down	Blade up	Blade back		Blade down	Blade up	Blade back		Blade down	Blade up	Blade back		Blade down	Blade up	Blade back		Blade down	Blade up	Blade back	
4,0 m (157.5 in)		1706* (3761)*	1355 (2987)	1528 (3369)	1199 (2643)	1712* (3774)*	1712* (3774)*	1712* (3774)*	1571 (3463)	1769* (3900)*	1769* (3900)*	1769* (3900)*	1769* (3900)*	-	-	-	-	-	-	-	-
3,0 m (118.1 in)		1688* (3721)*	1193 (2630)	1352 (2981)	1054 (2324)	1840* (4057)*	1731 (3816)	1840* (4057)*	1528 (3369)	2073* (4570)*	2073* (4570)*	2073* (4570)*	2073* (4570)*	2488* (5485)*	2488* (5485)*	2488* (5485)*	2488* (5485)*	-	-	-	-
2,0 m (78.7 in)		1690* (3726)*	1111 (2449)	1264 (2787)	979 (2158)	2041* (4500)*	1664 (3668)	1876 (4136)	1464 (3228)	2515* (5545)*	2343 (5165)	2515* (5545)	2043 (4504)	3585* (7904)*	3585* (7904)*	3585* (7904)*	3142 (6927)	-	-	-	-
1,0 m (39.4 in)		1701* (3750)*	1083 (2388)	1235 (2723)	952 (2099)	2235* (5927)*	1595 (3516)	1806 (3982)	1397 (3080)	2919* (6435)*	2209 (4870)	2496 (5503)	1916 (4224)	4450* (9811)*	3400 (7496)	3846 (8479)	2873 (6334)	-	-	-	-
0,0 m (0 in)		1715* (3781)*	1104 (2434)	1261 (2780)	970 (2138)	2340* (5159)*	1541 (3397)	1752 (3862)	1346 (2967)	3118* (6874)*	2119 (4672)	2405 (5302)	1829 (4032)	4636* (10221)*	3272 (7214)	3717 (8195)	2754 (6072)	-	-	-	-
- 1,0 m (- 39.4 in)		1719* (3790)*	1189 (2621)	1357 (2992)	1042 (2297)	2286* (5040)*	1513 (3336)	1724 (3801)	1318 (2906)	3057* (6740)*	2078 (4581)	2364 (5212)	1791 (3948)	4368* (9630)*	3241 (7145)	3686 (8126)	2725 (6008)	6906* (15225)*	6906* (15225)*	6906* (15225)*	5534 (12200)
- 2,0 m (- 78.7 in)		1687* (3719)*	1381 (3045)	1573 (3468)	1207 (2661)	1973* (4350)*	1518 (3347)	1729 (3812)	1323 (2917)	2708* (5970)*	2080 (4586)	2366 (5216)	1793 (3953)	3757* (8283)*	3263 (7194)	3708 (88175)	2746 (6054)	5692* (12549)*	5692* (12549)*	5692* (12549)*	5603 (12353)

Tab.26: Lifting force table ET90 – Boom, long dipper stick, rubber track, with additional rear weight



Lifting force tables ET90 - Boom

						6,0 m (236.2 in)				5,0 m (196.8 in)				4,0 m (157.5 in)				3,0 m (118.1 in)			
A B																					
		Blade down	Blade up	Blade back		Blade down	Blade up	Blade back		Blade down	Blade up	Blade back		Blade down	Blade up	Blade back		Blade down	Blade up	Blade back	
4,0 m (157.5 in)		1847* (4072)*	1528 (3369)	1714 (3779)	1350 (2976)	1857* (4094)*	1811 (3993)	1587* (3499)*	1600 (3527)	1961* (4323)*	1961* (4323)*	1961* (4323)*	1961* (4323)*	-	-	-	-	-	-	-	-
3,0 m (118.1 in)		1818* (4008)*	1333 (2939)	1502 (3311)	1176 (2593)	1964* (4330)	1772 (3907)	1964* (4330)	1562 (3444)	2260* (4982)*	2260* (4982)*	2260* (4982)*	2202 (4855)	-	-	-	-	-	-	-	-
2,0 m (78.7 in)		1814* (4000)*	1237 (2727)	1398 (3082)	1089 (2401)	2145* (4729)*	1710 (3770)	1922 (4237)	1502 (3311)	2681* (5911)*	2389 (5267)	2676 (5900)	2078 (4581)	3943* (8693)*	3715 (8190)	3943* (8693)*	3152 (6949)	-	-	-	-
1,0 m (39.4 in)		1821* (4015)*	1206 (2659)	1367 (3014)	1061 (2339)	2309* (5090)*	1647 (3631)	1859 (4098)	1442 (3179)	3032* (6684)*	2268 (5000)	2555 (5633)	1963 (4328)	4625* (10196)*	3466 (7641)	3912 (8624)	2922 (6442)	-	-	-	-
0,0 m (0 in)		1828* (4030)*	1236 (2725)	1402 (3091)	1085 (2392)	2369* (5223)*	1602 (3532)	1813 (3997)	1398 (3082)	3155* (6956)*	2192 (4833)	2479 (5465)	1891 (4169)	4601* (10143)*	3383 (7458)	3829 (8442)	2845 (6272)	-	-	-	-
-1,0 m (-39.4 in)		1820* (4012)*	1343 (2961)	1523 (3358)	1177 (2595)	2251* (4963)*	1583 (3490)	1794 (3955)	1380 (3042)	3011* (6638)*	2165 (4773)	2452 (5406)	1866 (4114)	4206* (9273)*	3375 (7441)	3821 (8424)	2838 (6257)	6092* (13431)*	6092* (13431)*	6092* (13431)*	5789 (12763)
-2,0 m (-78.7 in)		1756* (3871)*	1595 (3516)	1756* (3871)*	1393 (3071)	1778* (3920)*	1604 (3536)	1778* (3920)*	1400 (3086)	2558* (5639)*	2180 (4806)	2466 (5437)	1880 (4145)	3484* (7681)*	3412 (7522)	3484* (7681)*	2871 (6329)	4920* (10847)*	4920* (10847)*	4920* (10847)*	4920* (10847)*

Tab.27: Lifting force table ET90 – Boom, short dipper stick, steel track, with additional rear weight

						5,0 m (196.8 in)				4,0 m (157.5 in)				3,0 m (118.1 in)				2,0 m (78.7 in)			
A B																					
		Blade down	Blade up	Blade back		Blade down	Blade up	Blade back		Blade down	Blade up	Blade back		Blade down	Blade up	Blade back		Blade down	Blade up	Blade back	
4,0 m (157.5 in)		1706* (3761)	1395 (3075)	1568 (3457)	1232 (2716)	1712* (3774)*	1712* (3774)*	1712* (3774)*	1611 (3552)	1769* (3900)*	1769* (3900)*	1769* (3900)*	1769* (3900)*	-	-	-	-	-	-	-	-
3,0 m (118.1 in)		1688* (3721)*	1230 (2712)	1390 (3064)	1085 (2392)	1840* (4057)*	1780 (3924)	1840* (4057)*	1569 (3459)	2073* (4570)*	2073* (4570)*	2073* (4570)*	2073* (4570)*	2488* (5485)*	2488* (5485)*	2488* (5485)*	2488* (5485)*	-	-	-	-
2,0 m (78.7 in)		1690* (3726)*	1147 (2529)	1299 (2864)	1009 (2224)	2041* (4500)*	1713 (3777)	1925 (4244)	1504 (3316)	2515* (5545)*	2409 (5311)	2515* (5545)*	2096 (4621)	3585* (7904)*	3585* (7904)*	3585* (7904)*	3222 (7103)	-	-	-	-
1,0 m (39.4 in)		1701* (3750)*	1118 (2465)	1270 (2800)	982 (2165)	2235* (4927)*	1644 (3624)	1855 (4098)	1438 (3170)	2919* (6435)*	2275 (5016)	2563 (5650)	2969 (6546)	4450* (9811)*	3501 (7718)	3948 (8704)	2952 (6514)	-	-	-	-
0,0 m (0 in)		1715* (3781)*	1141 (2515)	1298 (2862)	1000 (2205)	2340* (5159)*	1590 (3505)	1801 (3971)	1386 (3056)	3118* (6874)*	2185 (4817)	2471 (5448)	1883 (4151)	4636* (10221)*	3373 (7436)	3818 (8417)	2834 (6248)	-	-	-	-
-1,0 m (-39.4 in)		1719* (3790)*	1228 (2707)	1396 (3078)	1075 (2370)	2286* (5040)*	1562 (3444)	1773 (3909)	1359 (2996)	3057* (6740)*	2144 (4727)	2430 (5357)	1844 (4065)	4368* (9630)*	3342 (7368)	3787 (8349)	2805 (6184)	6906* (15225)*	6906* (15225)*	6906* (15225)*	5690 (12544)
-2,0 m (-78.7 in)		1687* (3720)*	1425 (3142)	1617 (3565)	1244 (2743)	1973* (4350)*	1567 (3455)	1778 (3920)	1364 (3007)	2708* (5970)*	2146 (4731)	2432 (5362)	1846 (4070)	3757* (8283)*	3364 (7416)	3757* (8283)*	2826 (6230)	5692* (12549)*	5692* (12549)*	5692* (12549)*	5692* (12549)*

Tab.28: Lifting force table ET90 – Boom, long dipper stick, steel track, with additional rear weight



**WACKER
NEUSON**
all it takes!

Lifting force tables ET90 - Boom

						6,0 m (236.2 in)				5,0 m (196.8 in)				4,0 m (157.5 in)				3,0 m (118.1 in)			
A B																					
		Blade down	Blade up	Blade back		Blade down	Blade up	Blade back		Blade down	Blade up	Blade back		Blade down	Blade up	Blade back		Blade down	Blade up	Blade back	
4,0 m (157.5 in)		1847* (4072)*	1509 (3327)	1695 (3737)	1335 (2943)	1857* (4094)*	1790 (3946)	1857* (4094)*	1582 (3488)	1961* (4323)*	1961* (4323)*	1961* (4323)*	1961* (4323)*	-	-	-	-	-	-	-	-
3,0 m (118.1 in)		1818* (4008)*	1316 (2901)	1484 (3272)	1162 (2562)	1964* (4330)*	1750 (3858)	1962 (4325)	1544 (3404)	2260* (4982)*	2260* (4982)*	2260* (4982)*	2179 (4804)	-	-	-	-	-	-	-	-
2,0 m (78.7 in)		1814* (4000)*	1220 (2690)	1382 (3047)	1076 (2372)	2145* (4729)*	1689 (3724)	1900 (4189)	1484 (3272)	2681* (5911)*	2360 (5203)	2647 (5836)	2054 (4528)	3943* (8693)*	3671 (8093)	3943* (8693)*	3117 (6872)	-	-	-	-
1,0 m (39.4 in)		1821* (4015)*	1190 (2624)	1350 (2976)	1047 (2308)	2309* (5090)*	1626 (3585)	1837 (4050)	1424 (3139)	3032* (6684)*	2239 (4936)	2526 (5569)	1939 (4275)	4625* (10196)*	3422 (7544)	3868 (8527)	2887 (6365)	-	-	-	-
0,0 m (0 in)		1828* (4030)*	1219 (2687)	1385 (3053)	1070 (2359)	2369* (5223)*	1580 (3483)	1791 (3948)	1380 (3042)	3155* (6956)*	2163 (4769)	2450 (5401)	1868 (4118)	4601* (10143)*	3339 (7361)	3784 (8342)	2810 (6195)	-	-	-	-
- 1,0 m (- 39.4 in)		1820* (4012)*	1325 (2921)	1505 (3318)	1161 (2560)	2251* (4963)*	1561 (3441)	1773 (3909)	1362 (3003)	3011* (6638)*	2136 (4709)	2423 (5342)	1842 (4061)	4206* (9273)*	3331 (7344)	3776 (8325)	2803 (6180)	6092* (13431)*	6092* (13431)*	6092* (13431)*	5720 (12610)
- 2,0 m (- 78.7 in)		1756* (3871)*	1574 (3470)	1756* (3871)*	1375 (3031)	1778* (3920)*	1582 (3488)	1778* (3920)*	1382 (3047)	2558* (5639)*	2151 (4742)	2437 (5373)	1856 (4092)	3484* (7681)*	3367 (7423)	3484* (7681)*	2836 (6252)	4920* (10847)*	4920* (10847)*	4920* (10847)*	4920* (10847)*

Tab.29: Lifting force table ET90 – Boom, short dipper stick, hybrid track, with additional rear weight

						5,0 m (196.8 in)				4,0 m (157.5 in)				3,0 m (118.1 in)				2,0 m (78.7 in)			
A B																					
		Blade down	Blade up	Blade back		Blade down	Blade up	Blade back		Blade down	Blade up	Blade back		Blade down	Blade up	Blade back		Blade down	Blade up	Blade back	
4,0 m (157.5 in)		1706* (3761)*	1377 (3036)	1551 (3419)	1217 (2683)	1712* (3774)*	1712* (3774)*	1712* (3774)*	1594 (3514)	1769* (3900)*	1769* (3900)*	1769* (3900)*	1769* (3900)*	-	-	-	-	-	-	-	-
3,0 m (118.1 in)		1688* (3721)*	1214 (2676)	1373 (3027)	1072 (2363)	1840* (4057)*	1759 (3078)	1840* (4057)*	1551 (3419)	2073* (4570)*	2073* (4570)*	2073* (4570)*	2073* (4570)*	2488* (5485)*	2488* (5485)*	2488* (5485)*	2488* (5485)*	-	-	-	-
2,0 m (78.7 in)		1690* (3726)*	1131 (2493)	1284 (2831)	996 (2196)	2041* (4500)*	1692 (3730)	1904 (4198)	1487 (3278)	2515* (5545)*	2380 (5247)	2515* (5545)*	2073 (4570)	3585* (7904)*	3585* (7904)*	3585* (7904)*	3187 (7026)	-	-	-	-
1,0 m (39.4 in)		1701* (3750)*	1103 (2432)	1255 (2767)	969 (2136)	2235* (4927)*	1622 (3576)	1834 (4043)	1420 (3131)	2919* (6435)*	2246 (4952)	2534 (5587)	1946 (4290)	4450* (9811)*	3457 (7621)	3903 (8605)	2917 (6431)	-	-	-	-
0,0 m (0 in)		1715* (3781)*	1125 (2480)	1282 (2826)	987 (2176)	2340* (5159)*	1569 (3459)	1780 (3924)	1368 (3016)	3118* (6874)*	2156 (4753)	2442 (5384)	1860 (4101)	4636* (10221)*	3328 (7337)	3774 (8320)	2799 (6171)	-	-	-	-
- 1,0 m (- 39.4 in)		1719* (3790)*	1211 (2670)	1379 (3040)	1060 (2337)	2286* (5040)*	1540 (3395)	1752 (3862)	1341 (2956)	3057* (6740)*	2115 (4663)	2401 (5293)	1821 (4015)	4368* (9630)*	3297 (7269)	3743 (8252)	2770 (6107)	6906* (15225)*	6906* (15225)*	6906* (15225)*	5622 (12394)
- 2,0 m (- 78.7 in)		1687* (3719)*	1406 (3100)	1598 (3523)	1228 (2707)	1973* (4350)*	1546 (3408)	1757 (3874)	1346 (2967)	2708* (5970)*	2117 (4667)	2403 (5298)	1823 (4019)	3757* (8283)*	3320 (7319)	3757* (8283)*	2791 (6153)	5692* (12549)*	5692* (12549)*	5692* (12549)*	5690 (12544)

Tab.30: Lifting force table ET90 – Boom, long dipper stick, hybrid track, with additional rear weight



Lifting force tables ET90 - Boom

						6,0 m (236.2 in)				5,0 m (196.8 in)				4,0 m (157.5 in)				3,0 m (118.1 in)			
A	B																				
		Blade down	Blade up	Blade back	U/P	Blade down	Blade up	Blade back	U/P	Blade down	Blade up	Blade back	U/P	Blade down	Blade up	Blade back	U/P	Blade down	Blade up	Blade back	U/P
4,0 m (157.5 in)		1847* (4072)*	1568 (3457)	1755 (3869)	1383 (3049)	1857* (4094)*	1857* (4094)*	1857* (4094)*	1637 (3609)	1961* (4323)*	1961* (4323)*	1961* (4323)*	1961* (4323)*	-	-	-	-	-	-	-	-
3,0 m (118.1 in)		1818* (4008)*	1369 (3018)	1538 (3391)	1207 (2661)	1964* (4330)*	1818 (4008)	1964* (4330)*	1599 (3525)	2260* (4982)*	2260* (4982)*	2260* (4982)*	2252 (4965)	-	-	-	-	-	-	-	-
2,0 m (78.7 in)		1814* (3999)*	1272 (2804)	1433 (3159)	1119 (2467)	2145* (4729)*	1756 (3871)	1967 (4336)	1540 (3395)	2681* (5911)*	2450 (5401)	2681* (5911)*	2128 (4691)	3943* (8693)*	3809 (8397)	3943* (8693)*	3226 (7112)	-	-	-	-
1,0 m (39.4 in)		1821* (4015)*	1241 (2736)	1402 (3091)	1089 (2401)	2309* (5090)*	1693 (3732)	1904 (4198)	1479 (3261)	3032* (6684)*	2329 (5135)	2616 (5767)	2013 (4438)	4625* (10196)*	3560 (7848)	4006 (8832)	2996 (6605)	-	-	-	-
0,0 m (0 in)		1828* (4030)*	1272 (2804)	1438 (3170)	1114 (2456)	2369* (5223)*	1647 (3631)	1859 (4098)	1435 (3164)	3155* (6956)*	2254 (4969)	2541 (5602)	1941 (4279)	4601* (10143)*	3477 (7665)	3923 (8649)	2919 (6435)	-	-	-	-
- 1,0 m (- 39.4 in)		1820* (4012)*	1382 (3047)	1562 (3444)	1209 (2665)	2251* (4963)*	1628 (3589)	1840 (4057)	1417 (3124)	3011* (6638)*	2227 (4910)	2513 (5540)	1916 (4224)	4206* (9273)*	3469 (8045)	3915 (8631)	2912 (6420)	6092* (13431)*	6092* (13431)*	6092* (13431)*	5934 (13082)
- 2,0 m (- 78.7 in)		1756* (3871)	1640 (3616)	1756* (3871)*	1430 (3153)	1778* (3920)*	1649 (3635)	1778* (3920)*	1438 (3170)	2558* (5639)*	2241 (4941)	2528 (5573)	1929 (4253)	3484* (7681)*	3484* (7681)*	3484* (7681)*	2946 (6495)	4920* (10847)*	4920* (10847)*	4920* (10847)*	4920* (10847)*

Tab.31: Lifting force table ET90 – Boom, short dipper stick, steel track 600 mm, with additional rear weight

						5,0 m (196.8 in)				4,0 m (157.5 in)				3,0 m (118.1 in)				2,0 m (78.7 in)			
A	B																				
		Blade down	Blade up	Blade back	U/P	Blade down	Blade up	Blade back	U/P	Blade down	Blade up	Blade back	U/P	Blade down	Blade up	Blade back	U/P	Blade down	Blade up	Blade back	U/P
4,0 m (157.5 in)		1706* (3761)*	1432 (3157)	1606 (3541)	1263 (2784)	1712* (3774)*	1712* (3774)*	1712* (3774)*	1649 (3635)	1769* (3900)*	1769* (3900)*	1769* (3900)*	1769* (3900)*	-	-	-	-	-	-	-	-
3,0 m (118.1 in)		1688* (3721)*	1265 (2789)	1424 (3139)	1114 (2456)	1840* (4057)*	1826 (4026)	1840* (4057)*	1606 (3541)	2073* (4570)*	2073* (4570)*	2073* (4570)*	2073* (4570)*	2488* (5485)*	2488* (5485)*	2488* (5485)*	2488* (5485)*	-	-	-	-
2,0 m (78.7 in)		1690* (3726)*	1180 (2601)	1333 (2939)	1037 (2286)	2041* (4500)*	1759 (3878)	1971 (4345)	1542 (3400)	2515* (5545)*	2470 (5445)	2515* (5545)*	2146 (4731)	3585* (7904)*	3585* (7904)*	3585* (7904)*	3296 (7266)	-	-	-	-
1,0 m (39.4 in)		1701* (3750)*	1151 (2538)	1303 (2873)	1009 (2224)	2235* (4927)*	1690 (3726)	1901 (4191)	1475 (3252)	2919* (6435)*	2337 (5152)	2624 (5785)	2019 (4451)	4450* (9811)*	3595 (7926)	4042 (8911)	3027 (6673)	-	-	-	-
0,0 m (0 in)		1715* (3781)*	1175 (2590)	1332 (2937)	1028 (2266)	2340* (5159)*	1636 (3607)	1847 (4072)	1423 (3137)	3118* (6874)*	2246 (4952)	2533 (5584)	1933 (4262)	4636* (10221)*	3466 (7641)	3913 (8627)	2908 (6411)	-	-	-	-
- 1,0 m (- 39.4 in)		1719* (3790)*	1264 (2787)	1433 (3159)	1105 (2436)	2286* (5040)*	1607 (3543)	1819 (4010)	1396 (3078)	3057* (6740)*	2205 (4861)	2492 (5494)	1894 (4176)	4368* (9630)*	3435 (7573)	3882 (8558)	2879 (6347)	6906* (15225)*	6906* (15225)*	6906* (15225)*	5835 (12864)
- 2,0 m (- 78.7 in)		1687* (3720)*	1467 (3234)	1659 (3657)	1279 (2820)	1973* (4350)*	1613 (3556)	1824 (4021)	1401 (3089)	2708* (5970)*	2207 (4866)	2494 (5498)	1896 (4180)	3757* (8283)*	3458 (7624)	3757* (8283)*	2900 (6393)	5692* (12549)*	5692* (12549)*	5692* (12549)*	5692* (12549)*

Tab.32: Lifting force table ET90 – Boom, long dipper stick, steel track 600 mm, with additional rear weight