

KOHLER® DIESEL KDI

Genset Power Unit



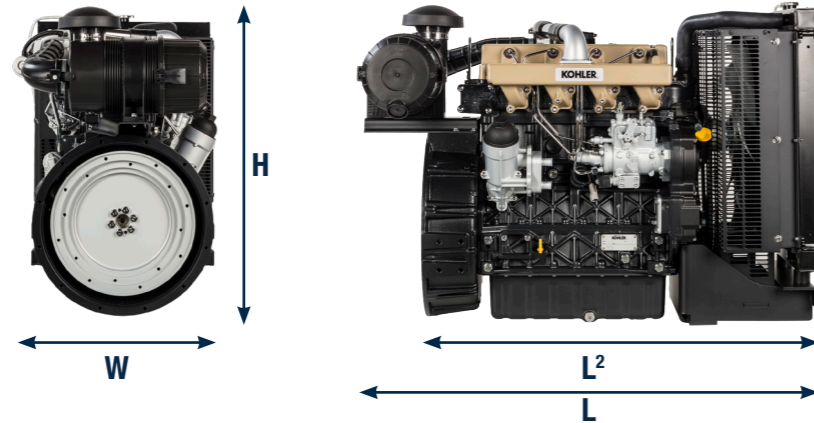
KOHLER®
IN POWER. SINCE 1920.

GENSET POWER UNIT

DIESEL ENGINES

STANDARD EQUIPMENT

Blowing fan
Fan guard
Radiator
Air cleaner



High power density
Low fuel consumption
Minimum 500 hours oil change interval

Environmentally friendly
High comfort (low vibration & noise)
High reliability

TECHNICAL DATA

ENGINE MODEL	n. of cylinder	Air intake	Bore & Stroke (mm)	Engine displ. (cm ³)	Total lubrication system capacity (l)	Weight (incl. cooling syst.) (kg)	Governing standard	Flywheel & housing	Dimensions (L - L ² - H - W)
KDI 1903M	3	Natural	88 x 102	1861	8.9	235	G2	SAE 4/7" 1/2	897 - 720 - 761 - 528
KDI-M 1903 E5/15	3	Natural	88 x 102	1861	8.9	235	G2	SAE 4/7" 1/2	897 - 720 - 761 - 528
KDI 2504M	4	Natural	88 x 102	2482	11.5	270	G2	SAE 4/7" 1/2	1003 - 826 - 761 - 528
KDI 2504TM-30	4	Turbo	88 x 102	2482	11.5	290	G2	SAE 3/11" 1/2	1038 - 870 - 758 - 604
KDI 2504TM-40	4	Turbo	88 x 102	2482	11.5	290	G2	SAE 3/11" 1/2	1101 - 933 - 755 - 583
KDI 1903TCR	3	Turbo+ Charge After Cooler	88 x 102	1861	8.9	320	G3	SAE 4/7" 1/2	1061 - 863 - 893 - 717
KDI 2504TCR	4	Turbo+ Charge After Cooler	88 x 102	2482	11.5	335	G3	SAE 4/7" 1/2	1251 - 1055 - 951 - 713
KDI 3404TM	4	Turbo	96 x 106	3359	15.6	447	G2	SAE 3/11" 1/2	1251 - 1055 - 951 - 713
KDI 3404TM CAC	4	Turbo+ Charge After Cooler	96 x 106	3359	15.6	451	G2	SAE 3/11" 1/2	1251 - 1055 - 963 - 714
KDI 3404TCR	4	Turbo+ Charge After Cooler	96 x 106	3359	15.6	451	G3	SAE 3/11" 1/2	1251 - 1055 - 963 - 714

50 HZ @1500 rpm

POWER*

ENGINES	Stand-by Power (kW/hp)	Prime power (kW/hp)	Emission compliance	Flex solution
KDI 1903M	19.0 / 25.5	17.3 / 23.1	Stage IIIA Eq.	EA (no ATS)
KDI 2504M	25.4 / 34.0	23.1 / 30.9	Stage IIIA Eq.	EA (no ATS)
KDI 2504TM-30	32.0 / 42.9	29.1 / 39.0	Stage IIIA Eq.	EA (no ATS)
KDI 2504TM-40 EU	36.9 / 49.4#	33.5 / 45.0	Stage IIIA Eq.	EA (no ATS)
KDI 2504TM-40	41.0 / 54.9	37.3 / 50.0	Not emitted	NE (no ATS)
KDI 3404TM	61.0 / 81.7	55.5 / 74.3	Not emitted	NE (no ATS)
KDI 3404TM CAC	61.5 / 82.4	55.9 / 74.9	Stage IIIA Eq.	EA (no ATS)
KDI-M 1903E5/15	18.9 / 25.3	17.3 / 23.1	Stage V	E5 (no ATS)
KDI-TCR 1903E5/15	35.3 / 47.3	32.1 / 43.0	Stage V	E5 (EGR+DOC+DPF)
KDI-TCR 2504E5/15	47.1 / 63.1	42.8 / 57.4	Stage V	E5 (EGR+DOC+DPF)
KDI-TCR 3404E5/15	-	55.0 / 73.7 #	Stage V	E5 (EGR+DOC+DPF)
KDI-TCR SCR 3404E5/15	100 / 134	90.9 / 121.8	Stage V	E5 (EGR+DOC+DPF+SCR)

60 HZ @1800 rpm

POWER*

ENGINES	Stand-by Power (kW/hp)	Prime power (kW/hp)	Emission compliance	Flex solution
KDI 1903M	18.4 / 24.7#	16.7 / 22.4	Tier 4 F	U4 (no ATS)
KDI 1903M	21.0 / 28.1	19.1 / 25.6	Tier 3	U3 (no ATS)
KDI 2504M	29.5 / 39.5	26.8 / 35.9	Tier 3	U3 (no ATS)
KDI 2504TM	36.4 / 48.8	33.1 / 44.3	Tier 3	U3 (no ATS)
KDI 1903TCR	37.0 / 49.6	33.6 / 45.1	Tier 4 F	U4 (EGR+DOC)
KDI 2504TCR	47.1 / 63.1	42.8 / 57.4	Tier 4 F	U4 (EGR+DOC)
KDI 3404TCR	-	55.4 / 74.2#	Tier 4 F	U4 (EGR+DOC)
KDI 3404TM CAC	70.0 / 93.8	63.6 / 85.3	Tier 3	U3 (no ATS)
KDI 3404TCR SCR	77.5 / 103.9	70.5 / 94.4	Tier 4 F	U4 (EGR+DOC)

* Performances measured according to ISO 14396 without final intake and exhaust line. Actual engine performances may be affected by accessories (intake and exhaust line, charging, cooling fan, etc.), application, ambient operating conditions (temperature, humidity, and altitude) and other factors.
Fuel specification No 1 Diesel (US) - ASTM D 975-09 B - Grade 1-D S 15 and No 2 Diesel (US) - ASTM D 975-09 B - Grade 2-D S 15, S 500 for mechanical models only.
Prime Power no overload

For more information, contact your KOHLER source of supply.
Kohler Co. reserves the right to make modifications without prior notice.

KOHLER
IN POWER. SINCE 1920.

KOHLERENGINES.COM

Printed in Italy ED0035585160 Rev.08 04/22 ENG KOHLER CO.