



OPERATIONS & PARTS MANUAL

FOR MODELS:
• BE-DB2N

PURCHASE DATE	MODEL NO.	SERIAL NUMBER
DEALER		

DISC BEDDER SAFETY AND OPERATING INSTRUCTIONS

⚠ WARNING:

1. Before you start working, Please check all nuts & bolts of the disc bedder.
2. Be vigilant about the tree roots and stones. Don't work on stony soil.
3. Tractor should be in first high or fourth low gear.
4. Don't allow anyone to come across the disc bedder.
5. Lift the disc bedder during turning.
6. Lift the disc bedder before approaching the road.

Safety Instruction

1. In order to protect yourself always wear adequate clothes and shoes during the operations.
2. Never allow riders on the tractor unless an additional seat is available.
3. Never allow riders on the implement.
4. Be careful when moving around steep gradient to avoid sharp turn.
5. Never transport the implement on rough roads during the night. When operating, avoid sharp turns that may cause tractor colliding with the implement.

Operating Instructions

1. Before mounting of disc bedder light duty make sure that all nuts & bolts are properly secured.
2. Place the disc bedder duly leveled on the flat piece of land.
3. Reverse the tractor to the disc bedder (Do not drag the disc bedder up the tractor).
4. Attach the left arm of the tractor to the disc bedder first.
5. Attach the central arm to the disc bedder. To attach, turn the screws on both sides to an equal length. If the arm is too short or too long, turn the screw to adjust both at the same time.
6. Attach the lower right arm. If gap between the hole and mounting pin is too close or too distant, turn the control arm in or pull it away to an appropriate distance. You may have to adjust both height and distance at the same time. When the hole in tractor arm and mounting pin are even, insert the pin in the hole and lock it with the lynch pin.
7. After attaching the disc bedder, lift it and adjust the control arm parallel to the ground. When you look from both rear or sideways, the discs should all be touching the ground uniformly.

Instructions for Tractor Preparation

1. The horsepower of tractor selected should match the implement.
2. Adjust the front and rear wheel track width.
3. Provide adequate front-end ballast for tractor stability
4. Provide proper rear furrow wheel weight
5. All plough adjustment should be carried out.

Instructions for Adjustments

1. Disc levelling: - To eliminate uneven penetration and side draft, levelling is done by means of top link.
2. Depth control: - The depth at which the implement is required to work is controlled hydraulically by raising or lowering the control lever on the tractor.

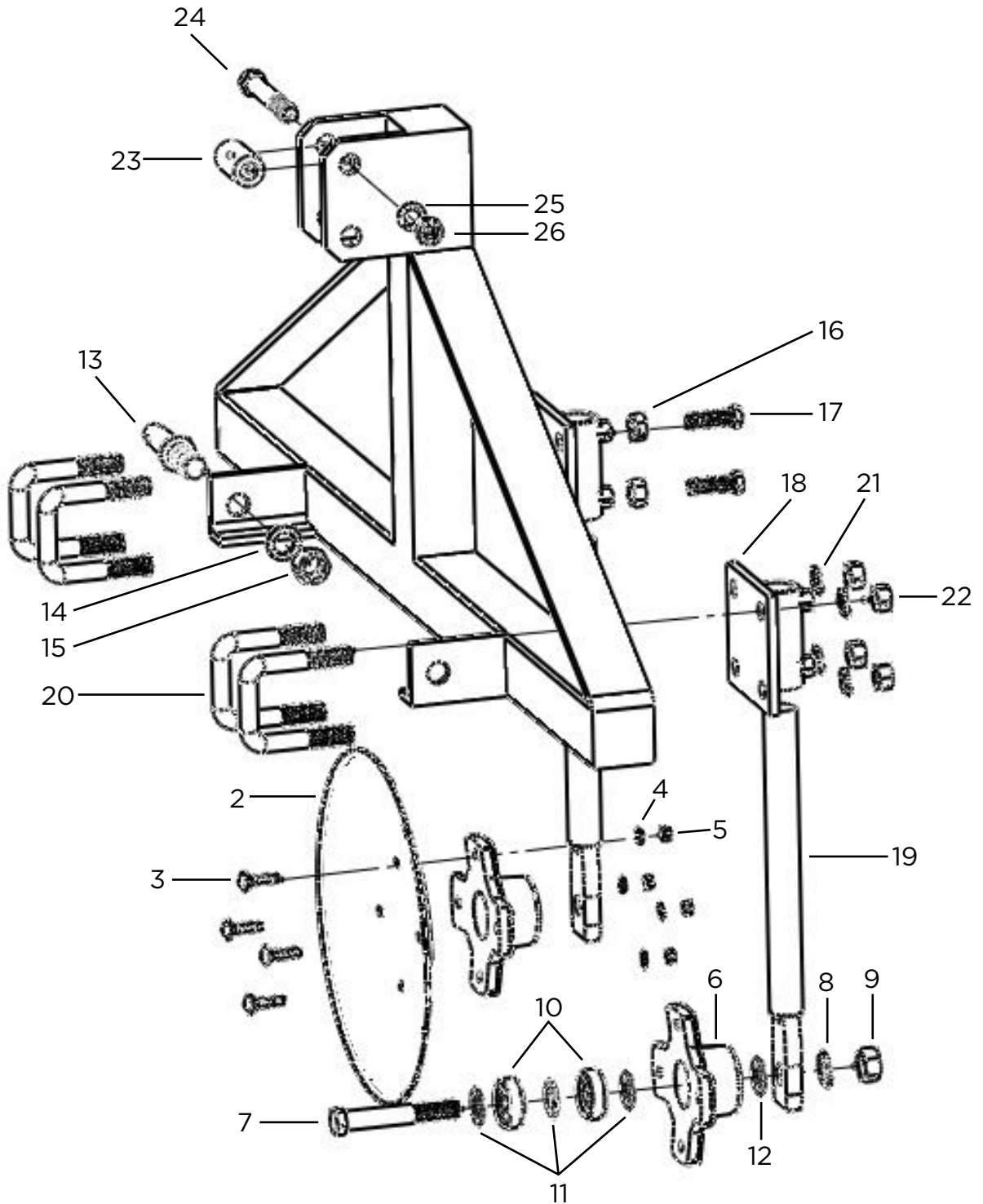
Instructions for Driver

1. When disc bedder is ready for use don't stand between disc bedder & the tractor.
2. Properly fit the three point linkage as mentioned above & lock with lynch pin.
3. Never turn the tractor to the right or left when the disc bedder is engaged in the soil.
4. Never reverse the tractor when the disc bedder is engaged in the soil.
5. To get good results from the disc bedder, disc should be replaced when its diameter is reduced by 5" from its original size.

MAINTENANCE INSTRUCTIONS

1. Keep it indoor & dry place when not in use.
2. Keep it clean after using outdoor.
3. Grease the bearings every 3 months.
4. Only use BE AGRIEASE original spare parts for better fit.

EXPLODED VIEW & PARTS LIST



REF	PART NO.	DESCRIPTION	QTY
1		Main Body	1
2	106.101B.001	DISC	2
3	106.101B.002	DISC BOLT	8
4	106.101B.003	SPLIT WASHER FOR DISC BOLT	8
5	106.101B.004	NUT FOR DISC BOLT	8
6	106.101B.005	DISC MOUNT	2
10		BEARINGS	4
11		WASHER FOR BEARINGS	6
12		CIRCLIP	2
7	106.101B.009	BOLT M20X80	2
8	106.101B.010	SPRING WASHER FOR M20	2
9	106.101B.011	NUT M20X16	2
13	152IP	IMPLEMENT PIN	2
14		SPLIT WASHER FOR IMPLEMENT PIN	2
15		NUT M22	2
16	106.101B.013	NUT M12X10	4
17		BOLT M12X47	4
18		MOUNTING PLATE	2
19	106.101B.016	ROD	2
20	106.101B.017	U BOLT - M16x	4
21		WASHER FOR U BOLT- M16	8
22		NUT FOR U BOLT M16	8
23	106.101B.021	BUSH	1
24	106.101B.022	M16X20 BOLT	1
25	106.101B.023	WASHER FOR M16	1
26	106.101B.024	M16X13 NUT	1
	106.101B.019	COMPLETE DISC ASSEMBLY	1



BRABEREQ.COM
WGSALES@BRABEREQ.COM

PHONE: 604-850-7770
FAX: 604-850-7774
TOLL FREE PHONE: 1-877-588-3311
TOLL FREE FAX: 1-800-665-7334