



# PARTS BREAKDOWN

## 2" WATER PUMP

MODEL:WP-2065HL



**BEPOWEREQUIPMENT**

**.COM**

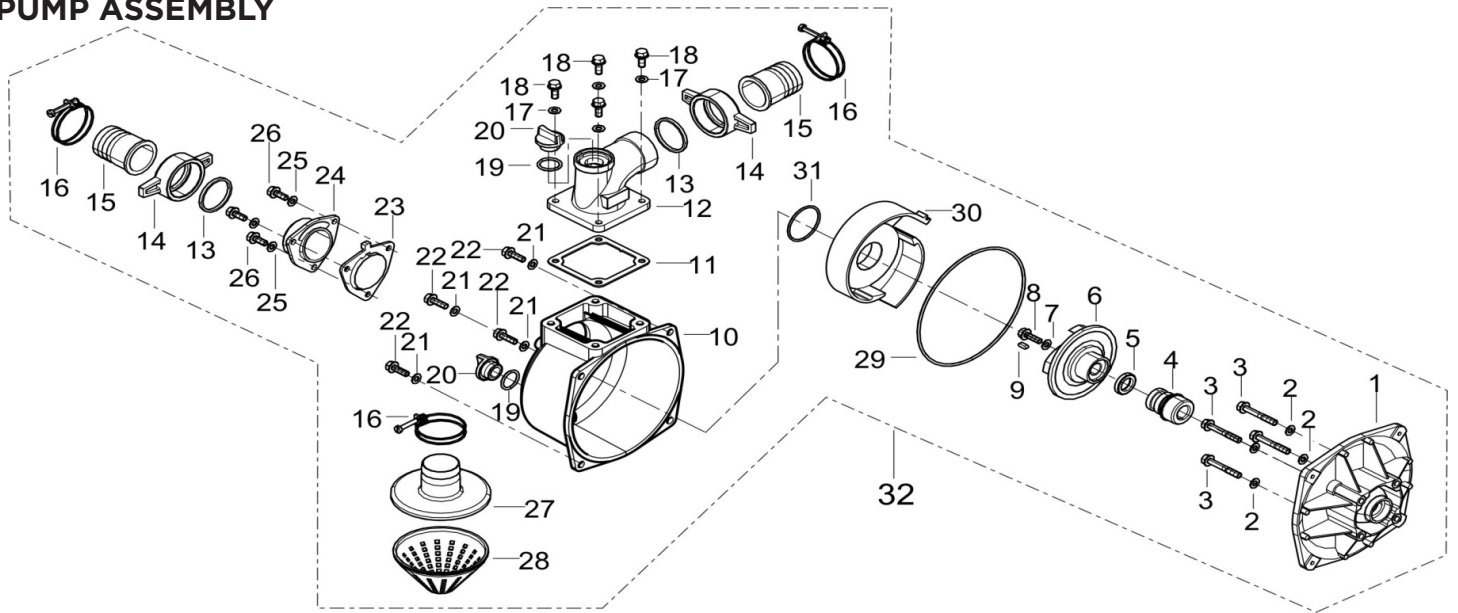


# PARTS BREAKDOWN

## 2" WATER PUMP

MODEL:WP-2065HL

### PUMP ASSEMBLY



REF #	DESCRIPTION	QTY	BE PART #
1	Water Pump Joint	1	85.571.136
2	Washer	4	50.002.200
3	Bolt	4	
7	Washer	1	
8	Bolt	1	
9	Key	1	
22	Bolt	4	
25	Washer	4	50.002.202
4	Mechanism Seal Assembly	1	
5	Porcelain Seal	1	
11	Outlet Gasket	1	
23	Inltet Water Gasket	1	
29	Water Pump Joint Cushion	1	50.002.201
31	Whorl Case Sealing Ring	1	
6	Water Pump Impeller	1	85.571.134
10	Pump Body	1	50.002.203
19	Screw Plug Washer	2	
20	Thread Plug	2	50.002.204
12	Water Outlet	1	
24	Water Inlet	1	
30	Whorl Case	1	85.571.135
**	Complete Pump and Frame Kit	1	85.150.201

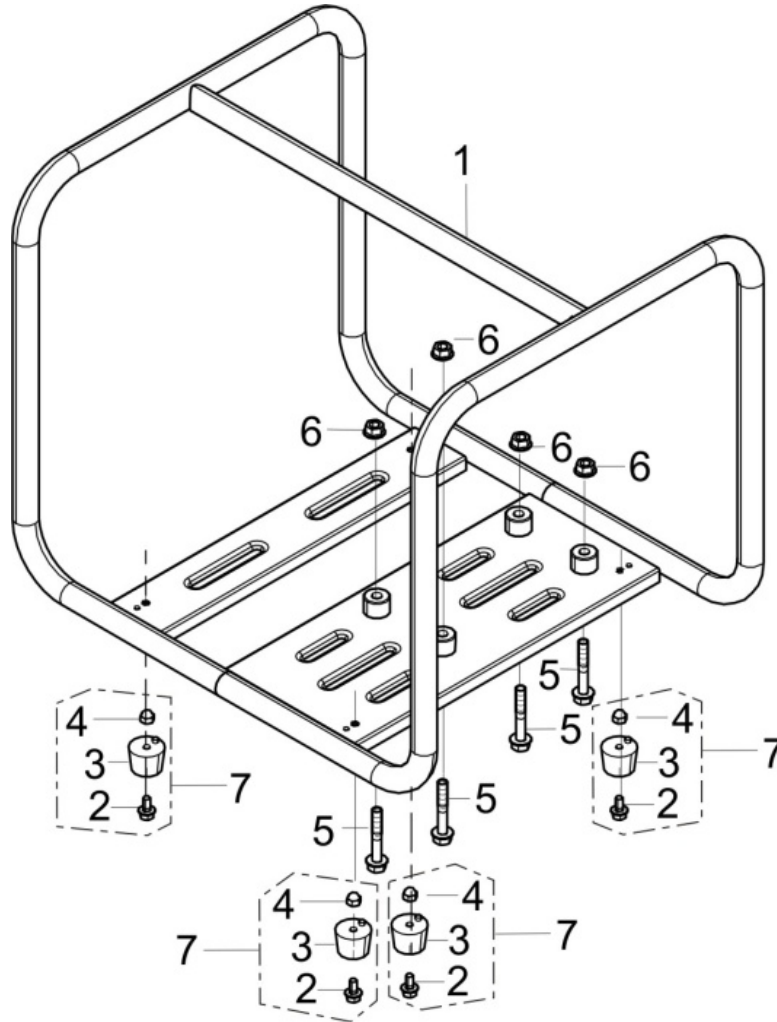


# PARTS BREAKDOWN

## 2" WATER PUMP

MODEL:WP-2065HL

### FRAME ASSEMBLY



REF #	DESCRIPTION	QTY	BE PART #
2	Bolt	4	50.002.205F
3	Engine Frame Shock Absorption Seat	4	
4	Acorn Nut	4	

**\*CHECK WITH HONDA FOR ENGINE BREAKDOWN AND PARTS**

# BE

**POWER EQUIPMENT**

---

If you need technical assistance call:

**1-866-850-6662**

(8:00am - 4:30pm PST, Mon - Fri)