



# PARTS BREAKDOWN

## 3" SEMI-TRASH PUMP

MODEL:TP-3065HR



**BEPOWEREQUIPMENT**

**.COM**



# PARTS BREAKDOWN

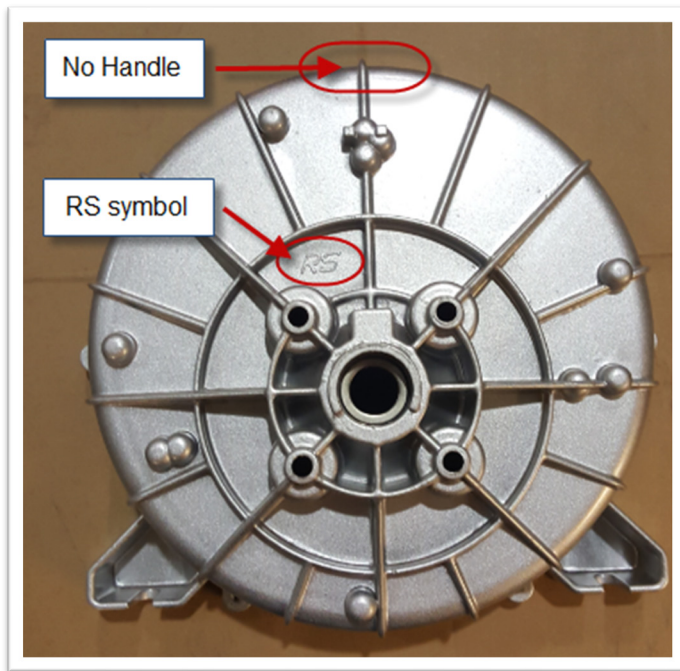
## 3" SEMI-TRASH PUMP

MODEL:TP-3065HR

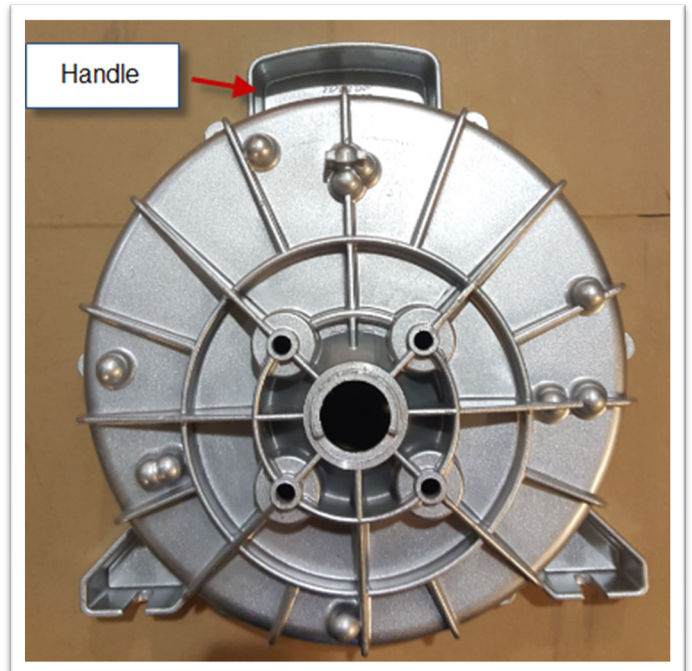
### PRODUCT IDENTIFICATION

THE PUMP BODY CHANGED IN 2019.  
LOCATE IDENTIFYING MARKS ON PUMP BODY JOINT TO  
ENSURE CORRECT PARTS ARE ORDERED.

'RS' TYPE - CURRENT MODEL



'T' TYPE - DISCONTINUED 2019



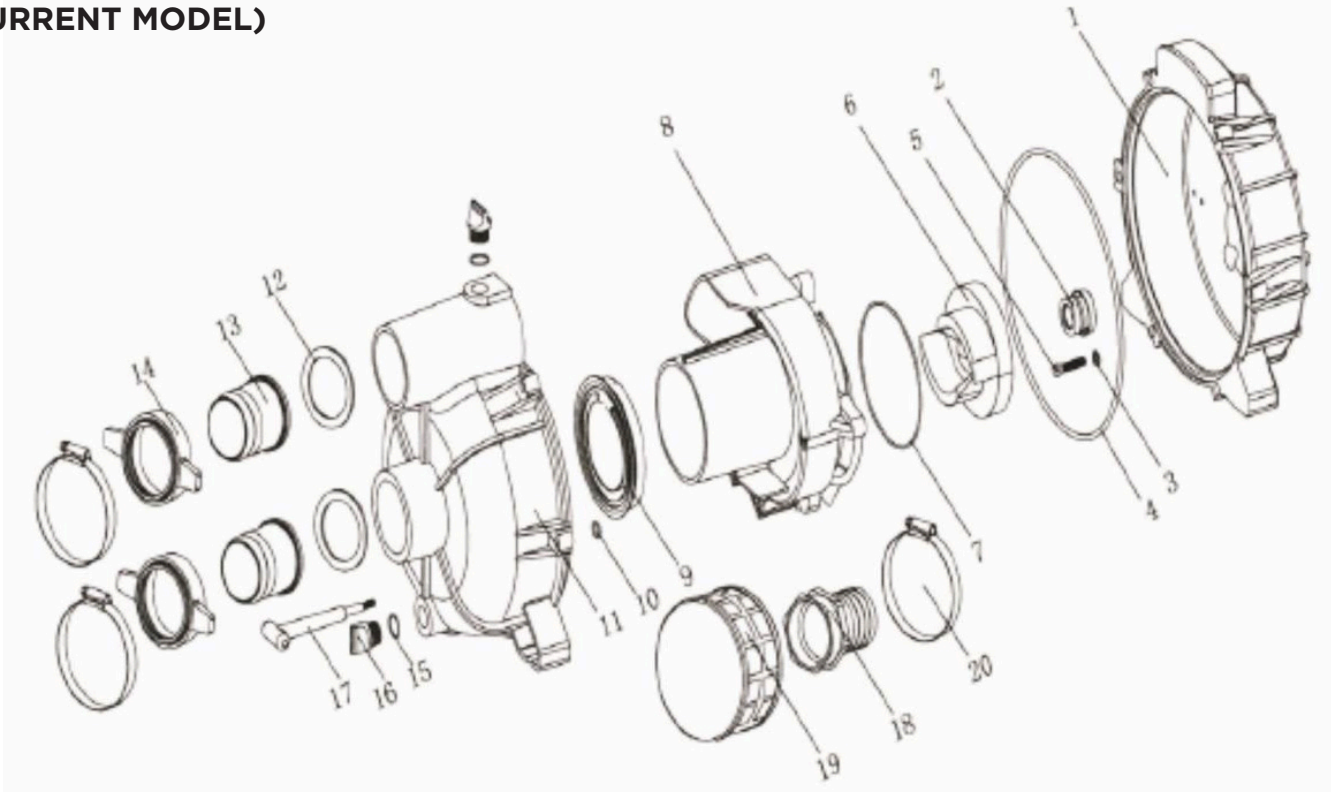


# PARTS BREAKDOWN

## 3" SEMI-TRASH PUMP

MODEL:TP-3065HR

**PUMP ASSEMBLY 'RS' TYPE  
(CURRENT MODEL)**



REF #	DESCRIPTION	QTY	BE PART #
1	Water Pump Joint (RS Type)	1	50.103.204
2	Mechanical Seal Assembly	1	50.103.202
4	Water Pump Joint Cushion	1	
7	Whorl Case Sealing Ring	1	
9	Inlet Water Gasket	1	
10	Gasket	6	
6	Impeller	1	50.103.201
8	Whorl Case	1	50.103.206
11	Pump Body	1	50.103.207
15	Drain Plug Washer	1	50.103.203
16	Drain Plug	1	
17	T-Bolt	6	50.103.208
18	Suction Hose Interface	1	50.103.205
19	Strainer	1	
**	Complete Pump and Frame Assembly	1	85.150.213

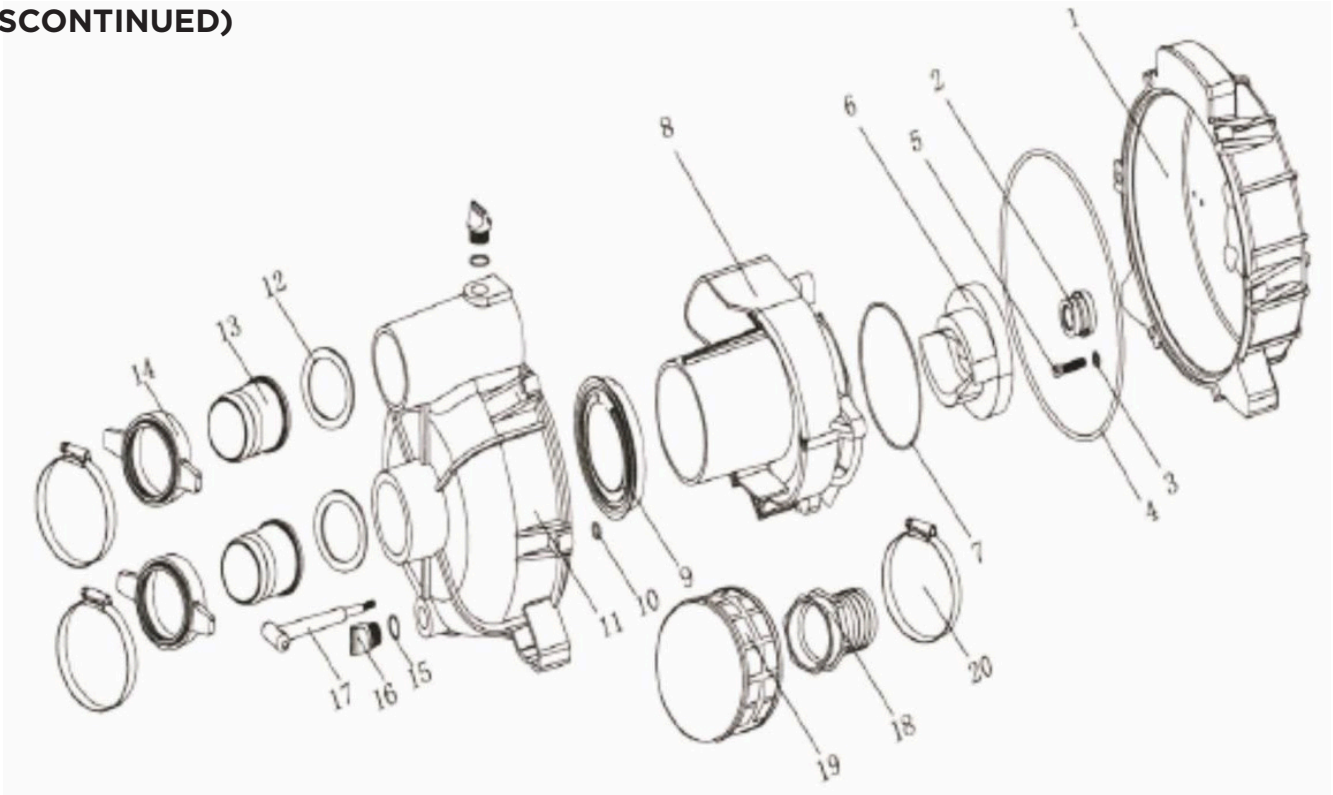


# PARTS BREAKDOWN

## 3" SEMI-TRASH PUMP

MODEL:TP-3065HR

**PUMP ASSEMBLY 'T' TYPE  
(DISCONTINUED)**



REF #	DESCRIPTION	QTY	BE PART #
1	Water Pump Joint (RS Type)	1	50.103.204T
2	Mechanical Seal Assembly	1	50.103.202T
4	Water Pump Joint Cushion	1	
7	Whorl Case Sealing Ring	1	
9	Inlet Water Gasket	1	
10	Gasket	6	
6	Impeller	1	50.103.201
8	Whorl Case	1	50.103.206
11	Pump Body	1	50.103.207
15	Drain Plug Washer	1	50.103.203
16	Drain Plug	1	
17	T-Bolt	6	50.103.208
18	Suction Hose Interface	1	50.103.205
19	Strainer	1	

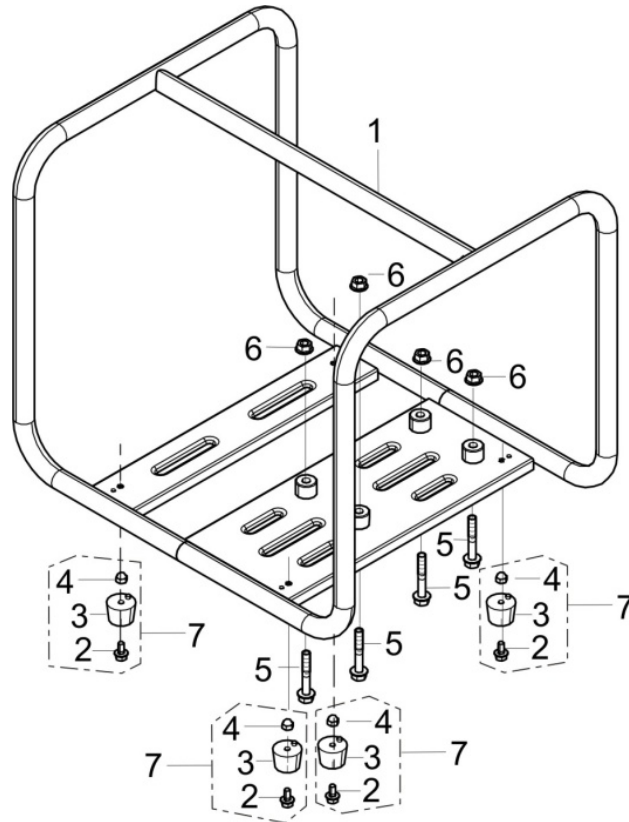


# PARTS BREAKDOWN

## 3" SEMI-TRASH PUMP

MODEL:TP-3065HR

### FRAME ASSEMBLY



REF #	DESCRIPTION	QTY	BE PART #
2	Bolt	4	50.002.205
3	Engine Frame Shock Absorption Seat	4	
4	Acorn Nut	4	

**\*CHECK WITH HONDA FOR ENGINE BREAKDOWN AND PARTS**

# BE

**POWER EQUIPMENT**

---

If you need technical assistance call:

**1-866-850-6662**

(8:00am - 4:30pm PST, Mon - Fri)