

RS8-42 MARK74

RS

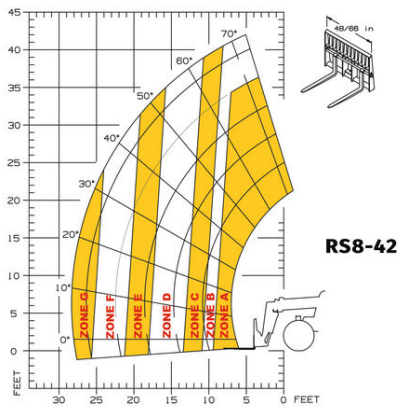


GEHL®

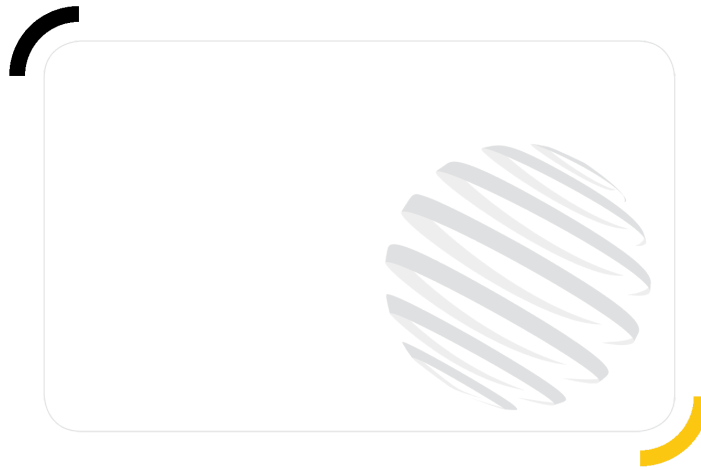
Capacities		Metric	Imperial
Max. capacity		3629 kg	8001 lb
Max. lifting height		12.80 m	42 ft
Max. outreach		8.60 m	28 ft 3 in
Weight and dimensions			
Overall width	b1	2.50 m	8 ft 2 in
Overall height	h17	2.40 m	7 ft 10 in
Wheelbase	y	3.05 m	10 ft
Ground clearance	m4	400 mm	16 in
Overall cab width	b4	0.83 m	2 ft 9 in
External turning radius	Wa3	4.17 m	13 ft 8 in
Unladen weight		10591 kg	23349 lb
Standard tyres		13x24	13x24
Frame levelling longitudinal +/-		10 °	10 °
Engine			
Engine brand		Cummins	Cummins
Engine norm		Stage IV	Stage IV
Engine model		QSF 3.8	QSF 3.8
I.C. Engine power rating - Power (kW)		74 Hp / 89 kW	74 Hp / 89 kW
Max. torque / Engine rotation		400 Nm @ 2500 rpm	400 Nm @ 2500 rpm
Transmission			
Transmission type		Powershift	Powershift
Number of gears (forward / reverse)		4 / 3	4 / 3
Max. travel speed		24 km/h	15 mi/h
Parking brake		SAHR	SAHR
Service brake		Wet disc brakes	Wet disc brakes
Axle Manufacturer		Dana	Dana
Hydraulics			
Hydraulic flow / Pressure		157 l/min / 207 Bar	157 l/min / 3002 PSI
Tank capacities			
Hydraulic oil		117 l	31 US gal
Fuel tank		178 l	47 US gal
Miscellaneous			
Controls		Single Joystick FNR	Single Joystick FNR

RS8-42 MARK74 - Load chart

Load Chart Other Imperial



- A** 8,000/8,000 lbs. (3629/3629 kg)
 - B** 7,000/8,000 lbs. (3175/3629 kg)
 - C** 6,000/8,000 lbs. (2722/3629 kg)
 - D** 4,000/6,000 lbs. (1814/2722 kg)
 - E** 3,000/4,000 lbs. (1361/1814 kg)
 - F** 2,000/4,000 lbs. (907/1814 kg)
 - G** 1,000/3,000 lbs. (454/1361 kg)
- outriggers up / optional outriggers down



GEHL®

Siège Social
P.O. Box 179 - One Gehl Way - West Bend, WI, USA 53095
Tel: (262) 334-9461 - Fax: (262) 338-7517
www.gehl.com



This brochure describes versions and configuration options for Gehl products which may be fitted with different equipment. The equipment described in this brochure may be standard, optional or not available depending on version. Gehl reserves the right to change the specifications shown and described at any time and without prior warning. The manufacturer is not liable for the specifications given. For more information, contact your Gehl dealer. Non-contractual document. Product descriptions may differ from actual products. List of specifications is not comprehensive. The logos and visual identity of the company are the property of Gehl and may not be used without authorization. All rights reserved. The photos and diagrams contained in this brochure are provided for information only.

MANITOU EQUIPMENT AMERICAS, LLC - Limited company with board of directors - Share capital: 39,668,399 euros - 857 802 508 RCS West Bend