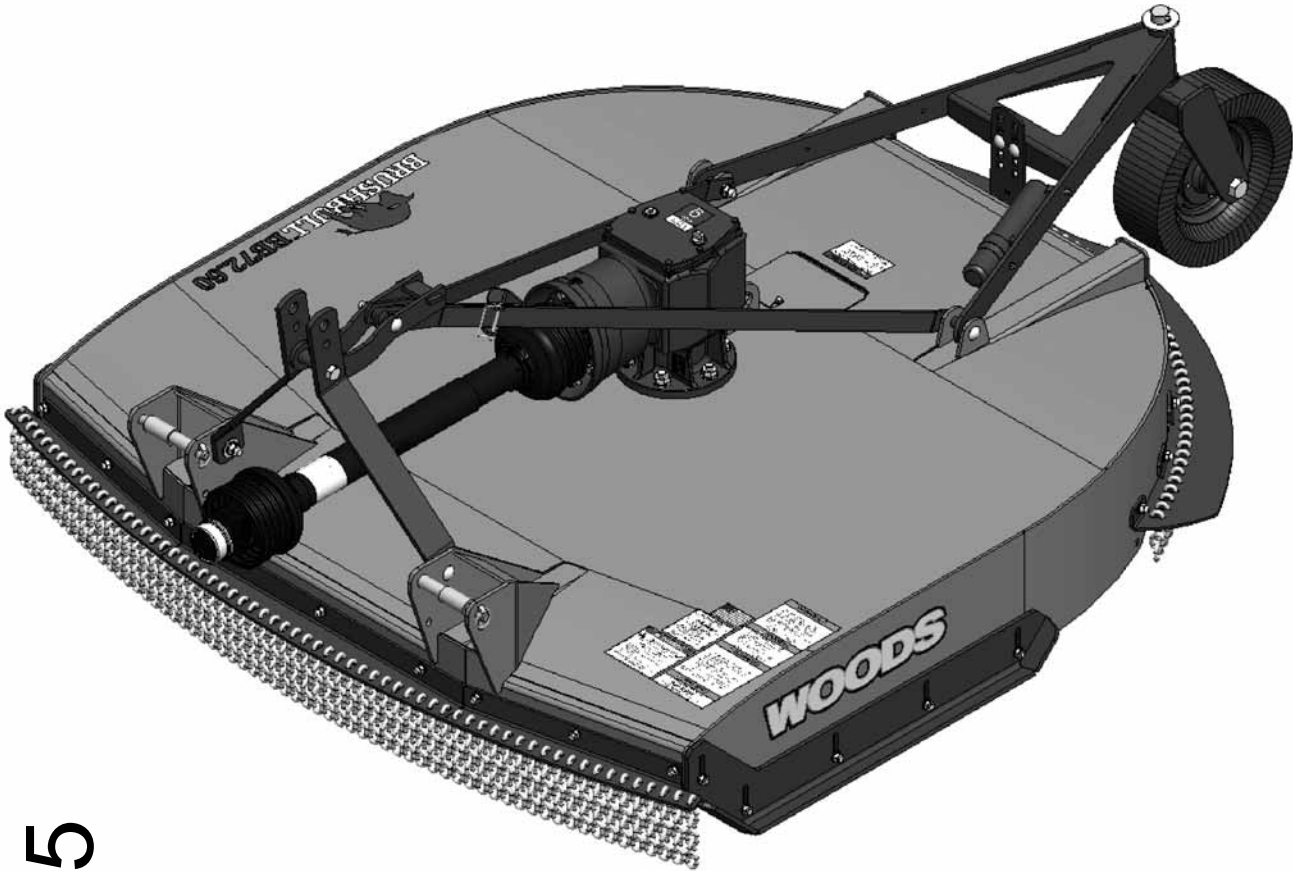


BRUSHBULL™ ROTARY CUTTER

BB60.60

BB72.60

BB84.60



MAN1295

(Rev. 12/10/2019)

WOODS®

OPERATOR'S MANUAL

TO THE DEALER:

Assembly and proper installation of this product is the responsibility of the Woods® dealer. Read manual instructions and safety rules. Make sure all items on the Dealer's Pre-Delivery and Delivery Check Lists in the Operator's Manual are completed before releasing equipment to the owner.

The dealer must complete the online Product Registration form at the Woods Dealer Website which certifies that all Dealer Check List items have been completed. Dealers can register all Woods product at dealer.WoodsEquipment.com under Product Registration.

Failure to register the product does not diminish customer's warranty rights.

TO THE OWNER:

Read this manual before operating your Woods equipment. The information presented will prepare you to do a better and safer job. Keep this manual handy for ready reference. Require all operators to read this manual carefully and become acquainted with all adjustment and operating procedures before attempting to operate. Replacement manuals can be obtained from your dealer. To locate your nearest dealer, check the Dealer Locator at www.WoodsEquipment.com, or in the United States and Canada call 1-800-319-6637.

The equipment you have purchased has been carefully engineered and manufactured to provide dependable and satisfactory use. Like all mechanical products, it will require cleaning and upkeep. Lubricate the unit as specified. Observe all safety information in this manual and safety decals on the equipment.

For service, your authorized Woods dealer has trained mechanics, genuine Woods service parts, and the necessary tools and equipment to handle all your needs.

Use only genuine Woods service parts. Substitute parts will void the warranty and may not meet standards required for safe and satisfactory operation. Record the model number and serial number of your equipment in the spaces provided:

Model: _____ **Date of Purchase:** _____

Serial Number: (see Safety Decal section for location) _____

Provide this information to your dealer to obtain correct repair parts.

Throughout this manual, the term **NOTICE** is used to indicate that failure to observe can cause damage to equipment. The terms **CAUTION**, **WARNING**, and **DANGER** are used in conjunction with the Safety-Alert Symbol (a triangle with an exclamation mark) to indicate the degree of hazard for items of personal safety.



This is the safety alert symbol. It is used to alert you to potential physical injury hazards. Obey all safety messages that follow this symbol to avoid possible injury or death.



Indicates a hazardous situation that, if not avoided, will result in death or serious injury.



Indicates a hazardous situation that, if not avoided, could result in death or serious injury.



Indicates a hazardous situation that, if not avoided, could result in minor or moderate injury.

**IMPORTANT
or NOTICE**

Is used to address practices not related to physical injury.

NOTE Indicates helpful information.

ALITEC™

CENTRAL FABRICATORS®

GANNON®

WAIN-ROY®

WOODS®

WOODS®

2 Introduction

Gen'l (Rev. 2/25/2016)

TABLE OF CONTENTS

INTRODUCTION	2
SPECIFICATIONS	4
GENERAL INFORMATION	4
SAFETY	5
MOWER SAFETY VIDEO	5
SAFETY RULES	7
TRAINING	7
PREPARATION	7
OPERATION	8
MAINTENANCE	8
STORAGE	9
TRANSPORTATION	9
SAFETY & INSTRUCTIONAL DECALS	10
OPERATION	12
OPERATION12	
ATTACHING CUTTER TO TRACTOR (BBXX.60)	12
ATTACHING CUTTER TO TRACTOR (BB84.60)	13
DRIVELINE ATTACHMENT	13
INSTALLATION & REMOVAL OF DRIVELINE	14
SHORTENING DRIVELINE	14
DRIVELINE INTERFERENCE CHECK	15
CUTTING HEIGHT ADJUSTMENT	15
SHREDDING MATERIAL HEIGHT ADJUSTMENT	16
CHECK CHAIN ADJUSTMENT (OPTIONAL)	16
PRE-OPERATION CHECKLIST	16
OPERATING TECHNIQUE	17
TRANSPORTATION	17
STORAGE	17
OWNER SERVICE	18
OWNER SERVICE	18
BLOCKING METHOD	18
LUBRICATION INFORMATION	18
BLADE SERVICING	19
SLIP CLUTCH ADJUSTMENT	20
SHIELDING REPAIR	21
CLEANING	21
TROUBLESHOOTING	22
DEALER SERVICE	23
DEALER SERVICE	23
GEARBOX MAINTENANCE	23
GEARBOX REPAIR	25
CROSSBAR REMOVAL	26
CROSSBAR INSTALLATION	27
UNIVERSAL JOINT REPAIR	27
ASSEMBLY	29
ASSEMBLY	29
DEALER SET-UP INSTRUCTIONS	29
DISASSEMBLE SHIPPING UNIT	29
ASSEMBLE CUTTER	29
INSTALL SAFETY SHIELDING	30
INSTALL DUAL TAILWHEEL	30
INSTALL CHECK CHAIN (OPTIONAL)	31
DEALER CHECK LISTS	32
PARTS INDEX	33
APPENDIX	41
BOLT TORQUE CHART	41
BOLT SIZE CHART & ABBREVIATIONS	42
INDEX	43
REPLACEMENT PARTS WARRANTY	44
PRODUCT WARRANTY	45



¡LEA EL INSTRUCTIVO!

Si no lee Ingles, pida ayuda a alguien que si lo lee para que le traduzca las medidas de seguridad.



This Operator's Manual should be regarded as part of the machine. Suppliers of both new and second-hand machines must make sure that this manual is provided with the machine.

NOTICE:

If you would like to receive a free Spanish language translation of the Safety Rules section of this manual, plus a set of Spanish language safety decals, please contact your local Woods dealer.

AVISO:

Si desea recibir una traducción al español gratuita de la sección Reglas de seguridad de este manual y un juego de etiquetas de seguridad en español, por favor comuníquese con su concesionario local de Woods.

SPECIFICATIONS

	BB60.60	BB72.60	BB84.60
Cutting Width	60"	72"	84"
Overall Width	67.3"	79.3"	91.3"
Maximum Overall Length	100"	112"	124"
Weight (Approximate w/ chain shield)	1045 lbs	1210 lbs	1440 lbs
Cutting Height	2" - 12"		
Blade Spindle	1		
Number of Blades	2		
Blades	Heat Treated Alloy Steel		
Blade Rotation	CCW		
Blade Tip Speed (feet per minute)	13,570	13,945	14,250
Gearbox Ratio	1:1.6	1:1.37	1:1.2
Gearbox Oil Type	80-90W EP Gear Lube		
Gearbox Oil Capacity	4.5 qt		
Recommended Tractor HP	40 - 150	50 - 210	65 - 210
Tractor PTO RPM	540		
3-Point Hitch Category	1 & 2		2 & 3
Universal Drive Category	5		
Side Frame Thickness	.25"		
Tailwheel	5" x 16"		

GENERAL INFORMATION

WARNING

■ Some illustrations in this manual show the equipment with safety shields removed to provide a better view. This equipment should never be operated with any necessary safety shielding removed.

The purpose of this manual is to assist you in operating and maintaining your cutter. Read it carefully. It furnishes information and instructions that will help you achieve years of dependable performance. These instructions have been compiled from extensive field experience and engineering data. Some information may be general in nature due to unknown and varying

operating conditions. However, through experience and these instructions, you should be able to develop procedures suitable to your particular situation.

The illustrations and data used in this manual were current at the time of printing, but due to possible inline production changes, your machine may vary slightly in detail. We reserve the right to redesign and change the machines as may be necessary without notification.

Throughout this manual, references are made to right and left directions. These are determined by standing behind the equipment, facing the direction of forward travel. Blade rotation is counterclockwise as viewed from the top of the cutter.

BE SAFE!

BE ALERT!

BE ALIVE!

BE TRAINED

Before Operating Mowers!



*Safety Training
Does Make a Difference.*

Watch a Mower Safety Video Online

The AEM (Association of Equipment Manufacturers) offers a safety training video, *Industrial and Agricultural Mower Safety Practices*. The 22-minute video can be viewed online for free at TheAEMStore, <https://youtu.be/uEWXsDqhDq0>

It reinforces the proper procedures to follow while operating your mowing equipment. The video does not replace the information contained in the Operator's Manual, so please review this manual thoroughly before operating your new mowing equipment.

Also, available from the Association of Equipment Manufacturers:

A large variety of training materials (ideal for groups) are available for a nominal charge from AEM. Following is a partial list:

- **Training Package for Rotary Mowers/Cutters-English**

Contains: DVD & VHS (English)

Guidebook for Rotary Mowers/Cutters (English)

AEM Industrial/Agricultural Mower Safety Manual (English)

AEM Agricultural Tractor Safety Manual (English)

- **Training Package for Rotary Mowers/Cutters-English/Spanish**

Contains: DVD & VHS (English/Spanish)

Guidebook for Rotary Mowers/Cutters (English/Spanish)

AEM Industrial/Agricultural Mower Safety Manual (English/Spanish)

AEM Agricultural Tractor Safety Manual (English/Spanish)

AEM training packages are available through:

AEM at: www.aem.org

or

Universal Lithographers, Inc.

Email: aem@ulilitho.com

800-369-2310 tel

866-541-1668 fax



SAFETY RULES

ATTENTION! BECOME ALERT! YOUR SAFETY IS INVOLVED!



Safety is a primary concern in the design and manufacture of our products. Unfortunately, our efforts to provide safe equipment can be wiped out by an operator's single careless act.

In addition to the design and configuration of equipment, hazard control and accident prevention are dependent upon the awareness, concern, judgement, and proper training of personnel involved in the operation, transport, maintenance, and storage of equipment.

It has been said, "The best safety device is an informed, careful operator." We ask you to be that kind of operator.

TRAINING

■ **Safety instructions are important! Read all attachment and power unit manuals; follow all safety rules and safety decal information. (Replacement manuals and safety decals are available from your dealer. To locate your nearest dealer, check the Dealer Locator at www.WoodsEquipment.com, or in the United States and Canada call 1-800-319-6637.) Failure to follow instructions or safety rules can result in serious injury or death.**

■ **If you do not understand any part of this manual and need assistance, see your dealer.**

■ **Know your controls and how to stop engine and attachment quickly in an emergency.**

■ **Operators must be instructed in and be capable of the safe operation of the equipment, its attachments, and all controls. Do not allow anyone to operate this equipment without proper instructions.**

■ **Never allow children or untrained persons to operate equipment.**

PREPARATION

■ **Check that all hardware is properly installed. Always tighten to torque chart specifications unless instructed otherwise in this manual.**

■ **Always wear relatively tight and belted clothing to avoid entanglement in moving parts. Wear sturdy, rough-soled work shoes and protective equipment for eyes, hair, hands, hearing, and head; and respirator or filter mask where appropriate.**

■ **Make sure attachment is properly secured, adjusted, and in good operating condition.**

■ **Make sure spring-activated locking pin or collar slides freely and is seated firmly in tractor PTO spline groove.**

■ **Connect PTO driveline directly to power unit PTO shaft. Never use adapter sleeves or adapter shafts. Adapters can cause driveline failures due to incorrect spline or incorrect operating length and can result in personal injury or death.**

■ **Make sure driveline guard tether chains are attached to the tractor and equipment as shown in the pamphlet that accompanies the driveline. Replace if damaged or broken. Check that driveline guards rotate freely on driveline before putting equipment into service.**

■ **Before starting power unit, check all equipment driveline guards for damage. Replace any damaged guards. Make sure all guards rotate freely on all drivelines. If guards do not rotate freely on drivelines, repair and replace bearings before putting equipment into service.**

■ **Power unit must be equipped with ROPS or ROPS cab and seat belt. Keep seat belt securely fastened. Falling off power unit can result in death from being run over or crushed. Keep foldable ROPS systems in "locked up" position at all times.**

■ **Inspect chain, rubber, or steel band shielding before each use. Replace if damaged.**

■ **Make sure shields and guards are properly installed and in good condition. Replace if damaged.**

■ **Remove accumulated debris from this equipment, power unit, and engine to avoid fire hazard.**

■ **Make sure all safety decals are installed. Replace if damaged. (See Safety Decals section for location.)**

■ **Do not put this equipment into service unless all side skids are properly installed and in good condition. Replace if damaged.**

■ **A minimum 20% of tractor and equipment weight must be on the tractor front wheels when attachments are in transport position. Without this weight, front tractor wheels could raise up resulting in loss of steering. The weight may be attained with front wheel weights, ballast in tires, front tractor weights or front loader. Weigh the tractor and equipment. Do not estimate.**

■ **Inspect and clear area of stones, branches, or other hard objects that might be thrown, causing injury or damage.**

SAFETY RULES



ATTENTION! BECOME ALERT! YOUR SAFETY IS INVOLVED!



OPERATION

- To avoid damage to cutter or driveline, make sure driveline holder is properly stored before operation.
- Do not allow bystanders within 25 feet of the area when operating, attaching, removing, assembling, maintaining, or servicing equipment.
- Full chain shielding must be installed when operating in populated areas or other areas where thrown objects could injure people or damage property.
 - If this machine is not equipped with full chain shielding, operation must be stopped.
 - This shielding is designed to reduce the risk of thrown objects. The mower deck and protective devices cannot prevent all objects from escaping the blade enclosure in every mowing condition. It is possible for objects to ricochet and escape, traveling as much as 300 feet (92 m).
- Never direct discharge toward people, animals, or property.
- Do not operate or transport equipment while under the influence of alcohol or drugs.
- Operate only in daylight or good artificial light.
- Keep hands, feet, hair, and clothing away from equipment while engine is running. Stay clear of all moving parts.
- Always comply with all state and local lighting and marking requirements.
- Never allow riders on power unit or attachment.
- Power unit must be equipped with ROPS or ROPS cab and seat belt. Keep seat belt securely fastened. Falling off power unit can result in death from being run over or crushed. Keep foldable ROPS systems in “locked up” position at all times.
- Always sit in power unit seat when operating controls or starting engine. Securely fasten seat belt, place transmission in neutral, engage brake, and ensure all other controls are disengaged before starting power unit engine.
- Operate tractor PTO at 540 RPM. Do not exceed.
- Do not operate PTO during transport.
- Look down and to the rear and make sure area is clear before operating in reverse.
- Do not operate or transport on steep slopes.
- Do not stop, start, or change directions suddenly on slopes.

- Use extreme care and reduce ground speed on slopes and rough terrain.
- Watch for hidden hazards on the terrain during operation.
- Stop power unit and equipment immediately upon striking an obstruction. Turn off engine, set parking brake, remove key, inspect, and repair any damage before resuming operation.
- Leak down or failure of mechanical or hydraulic system can cause equipment to drop.

MAINTENANCE

- Before performing any service or maintenance, disconnect driveline from tractor PTO.
- Before working underneath, disconnect driveline, raise cutter, lock in transport position, and block cutter securely. Hydraulic system leak down and failure of mechanical or hydraulic system can cause equipment to drop.
- Do not modify or alter or permit anyone else to modify or alter the equipment or any of its components in any way.
- Make sure attachment is properly secured, adjusted, and in good operating condition.
- Do not allow bystanders in the area when operating, attaching, removing, assembling, or servicing equipment.
- Keep all persons away from operator control area while performing adjustments, service, or maintenance.
- Make certain all movement of equipment components has stopped before approaching for service.
- Frequently check blades. They should be sharp, free of nicks and cracks, and securely fastened.
- Do not handle blades with bare hands. Careless or improper handling may result in serious injury.
- Your dealer can supply genuine replacement blades. Substitute blades may not meet original equipment specifications and may be dangerous.
- Tighten all bolts, nuts and screws to torque chart specifications. Check that all cotter pins are installed securely to ensure equipment is in a safe condition before putting unit into service.
- Service and maintenance work not covered in OWNER SERVICE must be done by a qualified

SAFETY RULES



ATTENTION! BECOME ALERT! YOUR SAFETY IS INVOLVED!



dealership. Special skills, tools, and safety procedures may be required. Failure to follow these instructions can result in serious injury or death.

- Make sure all safety decals are installed. Replace if damaged. (See Safety Decals section for location.)
- Make sure shields and guards are properly installed and in good condition. Replace if damaged.

TRANSPORTATION

- Disengage the PTO and wait for all moving parts to come to a complete stop. Raise the tractor 3-point arms to bring the cutter into transport position.
- With cutter adjusted to transport position, set upper stop on tractor lift quadrant to prevent cutter from contacting driveline while being raised.

STORAGE

- Disconnect cutter driveshaft and secure up off ground. Raise cutter with 3-point hitch. Place blocks under cutter side skids. Lower cutter onto blocks. Disconnect cutter from tractor 3-point hitch and carefully drive tractor away from cutter.
- Keep children and bystanders away from storage area.

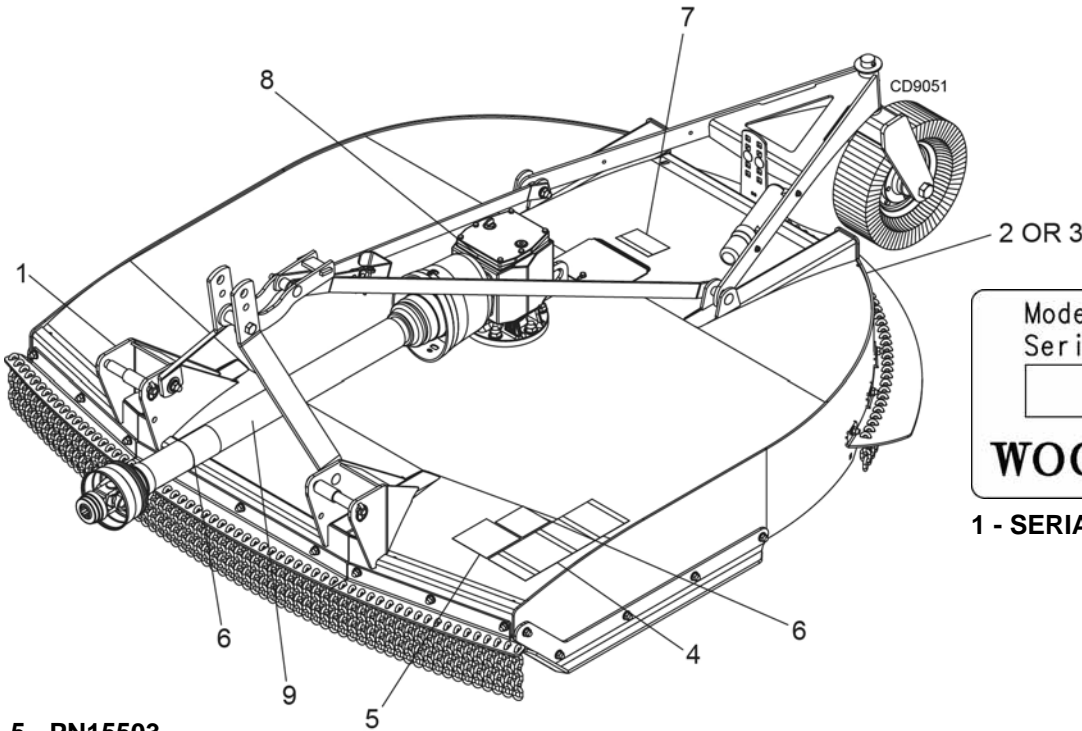
SAFETY & INSTRUCTIONAL DECALS



ATTENTION! BECOME ALERT! YOUR SAFETY IS INVOLVED!

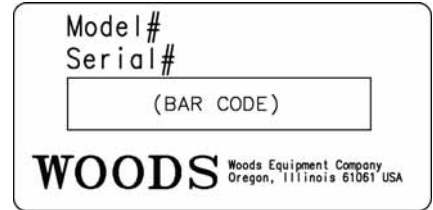


Replace Immediately If Damaged!



2 - PN 20106
RED REFLECTOR 4.5"

2 - PN 57123
RED REFLECTOR 9"



1 - SERIAL NUMBER PLATE

5 - PN15503

BE CAREFUL!

⚠ DANGER

**ROTATING BLADES AND
THROWN OBJECTS**

- Do not put hands or feet under or into mower when engine is running.
- Before mowing, clear area of objects that may be thrown by blade.
- Keep bystanders away.
- Keep guards in place and in good condition.

**BLADE CONTACT OR THROWN OBJECTS CAN
CAUSE SERIOUS INJURY OR DEATH.**

15503

Keep safety decals clean and visible.

Use a clean, damp cloth to clean safety decals.

Avoid spraying too close to decals when using a pressure washer; high-pressure water can enter through very small scratches or under edges of decals causing them to peel or come off.

Replace safety decals if they are missing or illegible.

Replacement safety decals can be ordered free from your Woods dealer, or in the United States and Canada call 1-800-319-6637.

7 - PN 15502

⚠ WARNING

ROTATING COMPONENTS

Do not operate without cover in place. Look and listen for rotation. Do not open cover until all components have stopped.

**CONTACT WITH ROTATING PARTS
CAN CAUSE SERIOUS INJURY.**

15502

(Safety Decals continued on next page)

8 - PN 1004114

⚠ DANGER

If shaft connection is visible, shield is missing. Replace shield before operating equipment.

1004114



SAFETY & INSTRUCTIONAL DECALS

ATTENTION! BECOME ALERT! YOUR SAFETY IS INVOLVED!

Replace Immediately If Damaged!



(Safety Decals continued from previous page)

4 - PN1006681

⚠ WARNING



CRUSHING AND PINCHING HAZARD

- Be extremely careful handling various parts of the machine. They are heavy and hands, fingers, feet, and other body parts could be crushed or pinched between tractor and implement.
- Operate tractor controls from tractor seat only.
- Do not stand between tractor and implement when tractor is in gear.
- Make sure parking brake is engaged before going between tractor and implement.
- Stand clear of machine while in operation or when it is being raised or lowered.

FAILURE TO FOLLOW THESE INSTRUCTIONS COULD RESULT IN SERIOUS INJURY OR DEATH.

⚠ WARNING

TO AVOID SERIOUS INJURY OR DEATH:

- Read Operator's Manual (available from dealer) and follow all safety precautions.
- Keep all shields in place and in good condition.
- Operate mower from tractor seat only.
- Lower mower, stop engine and remove key before dismounting tractor.
- Allow no children or untrained persons to operate equipment.
- Do not transport towed or semi-mounted units over 20 mph.

FAILURE TO OPERATE SAFELY CAN RESULT IN INJURY OR DEATH.

⚠ WARNING



FALLING OFF CAN RESULT IN BEING RUN OVER.

- Tractor must be equipped with ROPS (or ROPS CAB) and seat belt. Keep foldable ROPS systems in "locked up" position at all times.
- Buckle Up! Keep seat belt securely fastened.
- Never allow riders on mower or tractor.

RAISED EQUIPMENT CAN DROP AND CRUSH.

- Before working underneath, follow all instructions and safety rules in operator's manual and securely block up all corners of equipment with jack stands.
- Securely blocking prevents equipment from dropping from hydraulic leakdown, hydraulic system failures or mechanical component failures.

FALLING OFF OR FAILING TO BLOCK SECURELY CAN RESULT IN SERIOUS INJURY OR DEATH.

⚠ WARNING

DO NOT EXCEED PTO SPEED OF

540 RPM

PTO speeds higher than 540 RPM can cause equipment failure and personal injury.

1006681

6 - PN18864

⚠ DANGER



ROTATING DRIVELINE CONTACT CAN CAUSE DEATH

KEEP AWAY!

DO NOT OPERATE WITHOUT -

- All driveline guards, tractor and equipment shields in place.
- Drivelines securely attached at both ends.
- Driveline guards that turn freely on driveline.

18864

9 - PN 33347

⚠ DANGER



GUARD MISSING.

DO NOT OPERATE.

⚠ DANGER



GUARD MISSING.

DO NOT OPERATE.

33347

⚠ DANGER

OPERATION

The operator is responsible for the safe operation of the cutter. The operator must be properly trained. Operators should be familiar with the cutter, the tractor, and all safety practices before starting operation. Read the safety rules and safety decals on page 7 to page 11. Be sure to complete the Pre-Operation Checklist on page 16 before operating this cutter.

The intended use of this heavy-duty cutter is for grass and weed mowing and shredding applications.

Recommended mowing speed for most conditions is from 2 to 5 mph.

⚠ DANGER

■ Full chain shielding must be installed when operating in populated areas or other areas where thrown objects could injure people or damage property.

- If this machine is not equipped with full chain shielding, operation must be stopped.
- This shielding is designed to reduce the risk of thrown objects. The mower deck and protective devices cannot prevent all objects from escaping the blade enclosure in every mowing condition. It is possible for objects to ricochet and escape, traveling as much as 300 feet (92 m).

⚠ WARNING

- Never allow riders on power unit or attachment.
- Operate tractor PTO at 540 RPM. Do not exceed.
- Do not allow bystanders within 25 feet of the area when operating, attaching, removing, assembling, maintaining, or servicing equipment.

⚠ CAUTION

- Stop power unit and equipment immediately upon striking an obstruction. Turn off engine, set parking brake, remove key, inspect, and repair any damage before resuming operation.
- Always wear relatively tight and belted clothing to avoid getting caught in moving parts. Wear sturdy, rough-soled work shoes and protective equipment for eyes, hair, hands, hearing, and head; and respirator or filter mask where appropriate.

Tractor Stability

⚠ WARNING

■ A minimum 20% of tractor and equipment weight must be on the tractor front wheels when attachments are in transport position. Without this weight, front tractor wheels could raise up resulting in loss of steering. The weight may be attained with front wheel weights, ballast in tires, front tractor weights or front loader. Weigh the tractor and equipment. Do not estimate.

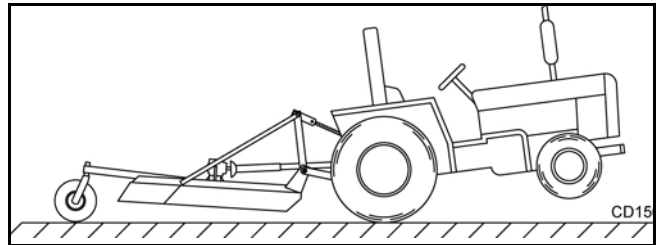


Figure 1. Tractor Stability

ATTACHING CUTTER TO TRACTOR - BB60.60 & BB72.60 (FIGURE 2)

Category 1 Standard Hitch

1. Position tractor lower lift arms between hitch mast plates.
2. Insert lower hitch pins (1) through mast plates and tractor lift arms. Use 1-1/8" OD sleeves (3) to keep lift arms in position. Secure with klik pins (2).
3. Attach the tractor's top link to the middle hole of the A-frame bars (5). Secure with the heavy-duty top link pin and retaining pin supplied with the tractor top link.

Category 2 Standard Hitch

1. Position tractor lower lift arms between hitch mast plates.
2. Insert lower hitch pins (1) and 1-1/8" OD sleeves (3) through mast plates and lower lift arms. Use 1-7/16" OD sleeve (4) to keep lift arms in position. Secure with klik pins (2).
3. Attach the tractor's top link to the upper hole of the A-frame bars (6). Secure with the heavy-duty top link pin and retaining pin supplied with the tractor top link.

Category 1 & 2 Quick Hitch

1. Insert lower hitch pins (1), 1-1/8" OD sleeves (3) and 1-7/16" OD sleeves (4) through mast plates.
For Category 1 Quick Hitch: Place the 1-7/16 OD sleeve (4) against the inner mast plate.
For Category 2 Quick Hitch: Place the 1-7/16" OD sleeve (4) against the outer mast plate.
2. Secure with klik pin (2).
3. Align Quick Hitch with lower sleeves (2) and upper sleeve (7) located between A-frame bars and break link.

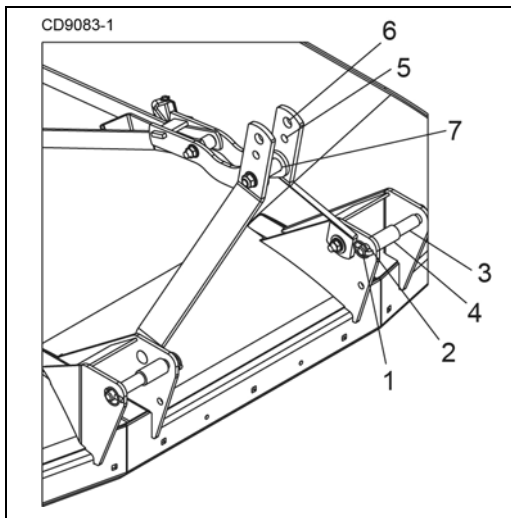


Figure 2. Cat 1 & 2 Standard & Quick Hitch Connection
BB60.60 & BB72.60 Models

ATTACHING CUTTER TO TRACTOR - BB84.60 (FIGURE 3)

Category 2 Standard Hitch

1. Position tractor lower lift arms between hitch mast plates.
2. Insert lower hitch pins (1), Cat 2 Position through mast plates and tractor lift arms. Secure with klik pins (2).
3. Secure lift arms (3) to the deck pivot lug in the forward hole (Cat 2 Position).
4. Attach the tractor's top link to the middle hole of the A-frame bars (5). Secure with the heavy-duty top link pin and retaining pin supplied with the tractor top link.

Category 3 Standard Hitch

1. Position tractor lower lift arms between hitch mast plates.
2. Insert lower hitch pins (1), Cat 3 Position through mast plates and tractor lift arms. Secure with klik pins (2).

3. Secure lift arms (3) to the deck pivot lug in the rear hole (Cat 3 Position).
4. Attach the tractor's top link to the top hole of the A-frame bars (6). Secure with the heavy-duty top link pin and retaining pin supplied with the tractor top link.

Category 2 & 3 Quick Hitch

1. Insert lower hitch pins (1), Cat 3 Position.
2. Secure with klik pins (2).
3. Align Quick Hitch with lower pins (1) and upper sleeve (6) located between A-frame bars and break link.

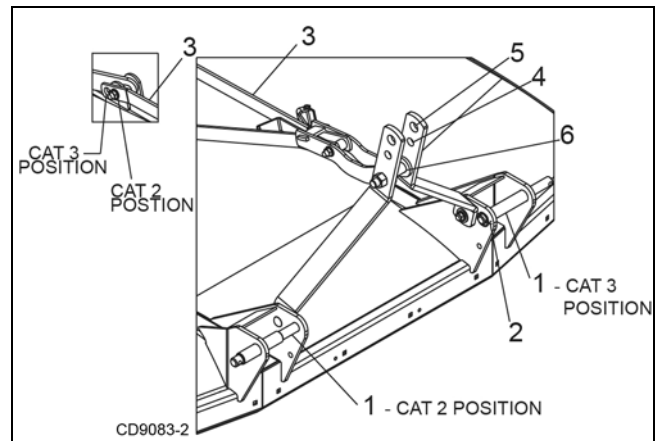


Figure 3. Cat 2 & 3 Standard & Quick Hitch Connection
BB84.60 Model Only

DRIVELINE ATTACHMENT

CAUTION

- Make sure driveline will not bottom out at the shortest length and that it has at least 4" overlap at the longest length.

Attach the cutter to the tractor 3-point hitch (or quick hitch if available). Do not attach driveline. Raise and lower cutter to determine maximum and minimum distance between the tractor PTO shaft and the gearbox input shaft. If the distance is too large, the driveline will be too short for proper engagement. If distance is too small, the driveline may bottom out in operation and damage the cutter or tractor.

There must be at least 4 inches of engagement at the cutter's lowest possible point of operation.

If driveline is too short, please call your Woods dealer for a longer driveline.

The driveline must not bottom out when raised to the maximum height possible.

If driveline is too long, please follow the instructions for shortening the driveline.

INSTALLATION AND REMOVAL OF DRIVELINE (TRACTOR PTO)

⚠ CAUTION

■ To avoid damage to cutter or driveline, make sure driveline holder is properly stored before operation.

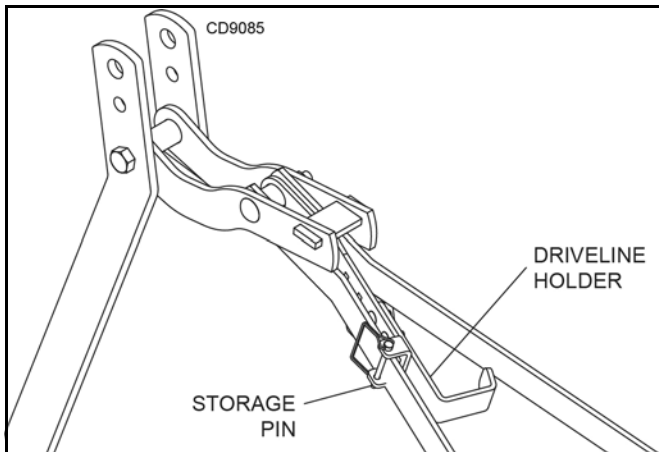


Figure 4. Driveline Holder Storage Position

To Install:

Pull locking collar back and at the same time push driveline onto tractor PTO shaft until locking device engages.

To Remove:

Hold driveline into position, pull locking collar back, and slide driveline off tractor PTO shaft.

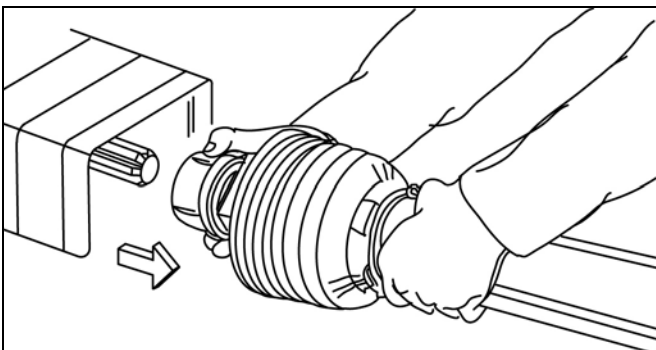


Figure 5. Lock Collar

SHORTENING DRIVELINE

1. Move cutter up and down to get the shortest possible distance between tractor PTO shaft and gearbox input shaft.
2. Separate driveline into two halves and connect them to the tractor PTO and gearbox.
3. Place driveline halves parallel to one another to determine how much to shorten the driveline.



Figure 6. Drive Halves Placed Parallel

4. Measure from end of the upper shield to the base of the bell on the lower shield (A). Add 1-9/16" to dimension (A). See Figure 7.

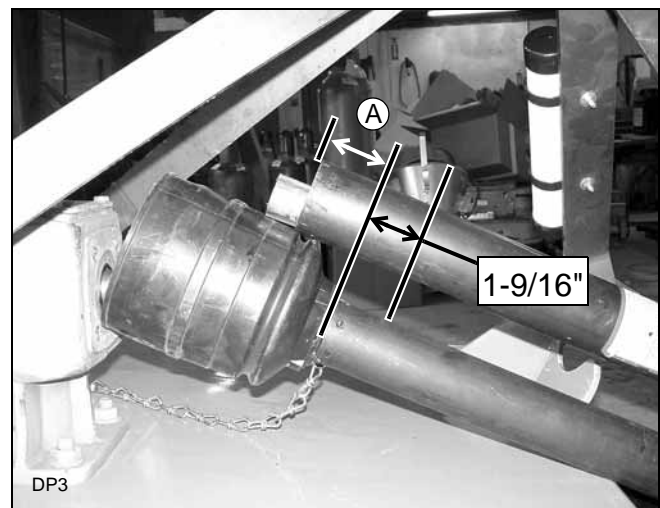


Figure 7. Determine Shield Length

5. Cut the shield to the overall dimension.

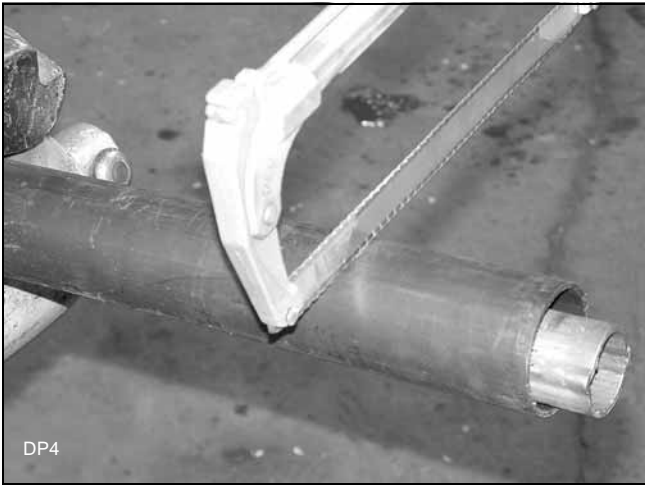


Figure 8. Cut Shield

6. Place the cutoff portion of the shield against the end of the shaft and use as a guide. Mark and cut the shaft.



Figure 9. Cut Shaft to Length

7. Repeat step 6 for the other half of the drive.
8. File and clean cut ends of both drive halves.

Do not use tractor if proper driveline engagement cannot be obtained through these methods.

Connect driveline to tractor PTO shaft, making sure the spring-activated locking collar slides freely and locks driveline to PTO shaft.

NOTE

■ If attaching with quick hitch, the distance between the tractor PTO and gearbox input shaft will increase. Please follow the steps as you would for a 3-point hitch to insure proper engagement.

DRIVELINE INTERFERENCE CHECK

1. Check for clearance between driveline and cutter deck.

2. Slowly lift cutter and observe driveline. If clearance between driveline and cutter deck is less than 1 inch, shorten top link or limit upper travel of lower hitch arms. Refer to tractor operator's manual for instructions.

CUTTING HEIGHT ADJUSTMENT (FIGURE 10)

⚠ WARNING

■ Keep all persons away from operator control area while performing adjustments, service, or maintenance.

■ Avoid low cutting heights. Striking the ground with blades produces one of the most damaging shock loads a cutter can encounter. Allowing blades to contact ground repeatedly will cause damage to cutter and drive.

When selecting a cutting height, you should consider the area of operation. If the ground is rolling and has mounds the blades could contact, set the cutting height accordingly.

1. Level cutter from side to side. Check by measuring from cutter frame to the ground at each deck rail.
2. Adjust, using tractor 3-point arm leveling device.

NOTE: Keep the front of cutter level with or slightly lower than rear for best mowing.

3. Control cutting height with tractor 3-point arms, rear tailwheel adjustment, or optional check chains.
4. To raise rear of cutter, move tailwheel down.
5. To raise front of cutter, raise tractor 3-point arms or shorten optional check chains.

The cutting height is the distance between the blade and the ground. The blades are approximately 1" above the skid shoe. To check cutting height, do the following:

- a) Select a cutting height; as an example, for an approximate cutting height of 3", set the skid shoe 2" above the ground.

$$\begin{array}{r}
 3" \text{ Desired cutting height} \\
 - 1" \text{ Distance blade cutting edge is above skid shoe} \\
 \hline
 = 2" \text{ Distance skid shoe is above ground}
 \end{array}$$

- b) Adjust the front-to-rear attitude from 1/2" to 3/4" higher than the front.
6. Adjust top link such that the lower rear corner of the link is in line with the top edge of the lift arms. The clearance will allow cutter to float over uneven terrain.

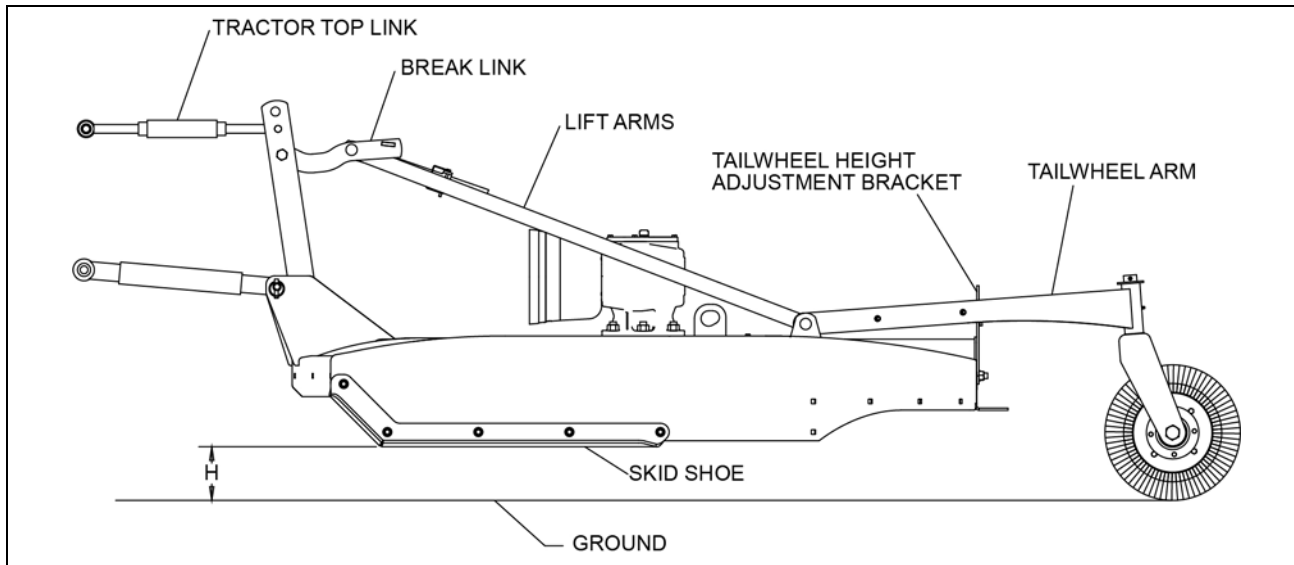


Figure 10. Cutting Height Adjustment

SHREDDING MATERIAL HEIGHT ADJUSTMENT

For shredding, set the cutter lower at rear. Determine how much lower to set the rear by experimenting in different situations.

CHECK CHAIN ADJUSTMENT (OPTIONAL)

1. Refer to **Install Optional Check Chains, page 31** for check chain installation.
2. After making cutting height adjustment, adjust both chains (3) in check chain bracket (2) so you have the same number of links on each side. This will keep your cutting level.

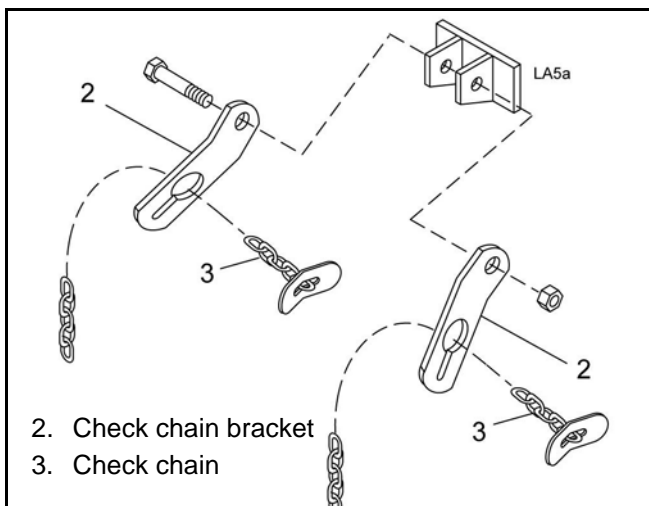


Figure 11. Check Chain Adjustment

PRE-OPERATION CHECK LIST (OWNER'S RESPONSIBILITY)

- ___ Review and follow all safety rules and safety decal instructions on page 7 through page 11.
- ___ Check that equipment is properly and securely attached to tractor.
- ___ Make sure driveline spring-activated locking pin or collar slides freely and is seated firmly in tractor PTO spline groove.
- ___ Lubricate all grease fitting locations. Make sure PTO shaft slip joint is lubricated.
- ___ Check to be sure gear lube is above the lower line on dipstick.
- ___ Check that all hardware is properly installed and secured.
- ___ Check that blades are sharp and secure and cutting edge is positioned to lead in a counter-clockwise rotation.
- ___ Check that shields and guards are properly installed and in good condition. Replace if damaged.
- ___ Check cutting height, front-to-rear attitude, and top link adjustment.
- ___ Set tractor PTO at 540 RPM.
- ___ Place tractor PTO and transmission in neutral before starting engine.
- ___ Inspect area to be cut and remove stones, branches, or other hard objects that might be thrown and cause injury or damage.

OPERATING TECHNIQUE

1. Power for operating the cutter is supplied by the tractor PTO. Operate PTO at 540 RPM. Know how to stop the tractor and cutter quickly in an emergency.
2. Engage PTO at a low engine RPM to minimize stress on the drive system and gearbox. With PTO engaged, raise PTO speed to 540 RPM and maintain throughout cutting operation.

Gearbox protection is provided by a slip clutch with replacement fiber disc. The slip clutch is designed to slip when excessive torsional loads occur.

3. Move slowly into material. Adjust tractor ground speed to provide a clean cut without lugging the tractor engine. Use a slow ground speed for better shredding.

Proper ground speed will depend on the terrain and the material's height, type, and density.

Normally, ground speed will range from 2 to 5 mph. Tall, dense material should be cut at a low speed; thin, medium-height material can be cut at a faster ground speed.

4. Always operate tractor PTO at 540 RPM to maintain proper blade speed and to produce a clean cut.
5. Under certain conditions tractor tires may roll down some grass and prevent cutting at the same height as the surrounding area. When this occurs, reduce your ground speed but maintain PTO at 540 RPM. The lower ground speed will permit grass to rebound partially.

TRANSPORTATION

- Disengage the PTO and wait for all moving parts to come to a complete stop. Raise the tractor 3-point arms to bring the cutter into transport position.
- With cutter adjusted to transport position, set upper stop on tractor lift quadrant to prevent cutter from contacting driveline while being raised.

STORAGE

 **WARNING**

- Keep children and bystanders away from storage area.
1. Disconnect cutter driveshaft and secure up off ground. Raise cutter with 3-point hitch.
 2. Place blocks under cutter side skids.
 3. Lower cutter onto blocks.
 4. Disconnect cutter from tractor 3-point hitch and carefully drive tractor away from cutter.
 5. Perform **Pre-Operation Checklist**, page 16, when returning to use.



OWNER SERVICE

The information in this section is written for operators who possess basic mechanical skills. If you need help, your dealer has trained service technicians available. For your protection, read and follow the safety information in this manual.

WARNING

■ **Keep all persons away from operator control area while performing adjustments, service, or maintenance.**

CAUTION

■ **If you do not understand any part of this manual and need assistance, see your dealer.**

■ **Always wear relatively tight and belted clothing to avoid getting caught in moving parts. Wear sturdy, rough-soled work shoes and protective equipment for eyes, hair, hands, hearing, and head; and respirator or filter mask where appropriate.**

BLOCKING METHOD

WARNING

■ **Before performing any service or maintenance, disconnect driveline from tractor PTO.**

■ **Never go underneath equipment (lowered to the ground or raised) unless it is properly blocked and secured. Never place any part of the body underneath equipment or between moveable parts even when the engine has been turned off. Hydraulic system leak down, hydraulic system failures, mechanical failures, or movement of control levers can cause equipment to drop or rotate unexpectedly and cause severe injury or death. Follow Operator's Manual instructions for working underneath and blocking requirements or have work done by a qualified dealer.**

To minimize the potential hazards or working underneath the cutter, follow these procedures:

1. Jackstands with a load rating of 1000 lbs or more are the only approved blocking device for this cutter. Install a minimum of four jackstands (shown by Xs in Figure 12) under the cutter before working underneath unit.
2. Do not position jackstands under wheels, axles, or wheel supports. Components can rotate and cause cutter to fall.

3. Consider the overall stability of the blocked unit. Just placing jackstands underneath will not ensure your safety.
4. The working surface must be level and solid to support the weight on the jackstands. Make sure jackstands are stable, both top and bottom. Make sure cutter is approximately level.
5. With full cutter weight lowered onto jackstands, test blocking stability before working underneath.
6. If cutter is attached to tractor when blocking, set the brakes, remove key, and block cutter before working underneath.
7. Securely block rear tractor wheels, in front and behind. Tighten tractor lower 3-point arm anti-sway mechanism to prevent side-to-side movement.

LUBRICATION INFORMATION

1. Do not let excess grease collect on or around parts, particularly when operating in sandy areas.
2. See Figure 12 for lubrication points and frequency or lubrication based on normal operating conditions. Severe or unusual conditions may require more frequent lubrication.
3. Use a lithium grease of #2 consistency with a MOLY (molybdenum disulfide) additive for all locations unless otherwise noted. Be sure to clean fittings thoroughly before attaching grease gun. One good pump of most guns is sufficient when the lubrication schedule is followed.

Gearbox Lubrication

1. For gearbox, use a high quality gear oil with a viscosity index of 80W or 90W and an API service rating of GL-4 or -5 in gearboxes.
2. Fill gearbox until oil is above lower line on dipstick. Check gearbox daily for evidence of leakage, and contact your dealer if leakage occurs.

Driveline Lubrication

1. Lubricate the driveline slip joint every ten operating hours. Failure to maintain proper lubrication could result in damage to U-joints, gearbox, and driveline.
2. Lower cutter to ground, disconnect driveline from tractor PTO shaft, and slide halves apart but do not disconnect from each other.
3. Apply a bead of grease completely around male half where it meets female half. Slide drive halves over each other several times to distribute grease.

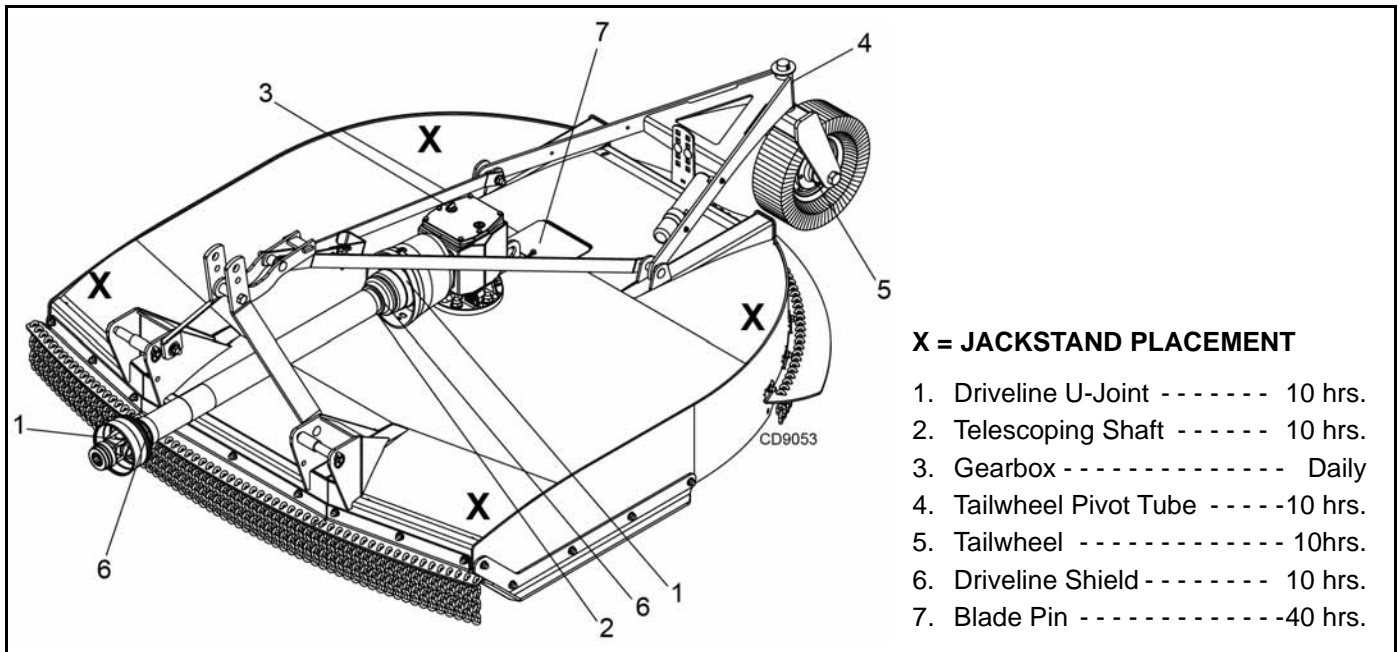


Figure 12. Jackstand Placement and Lubrication Points

BLADE SERVICING

Blade Removal

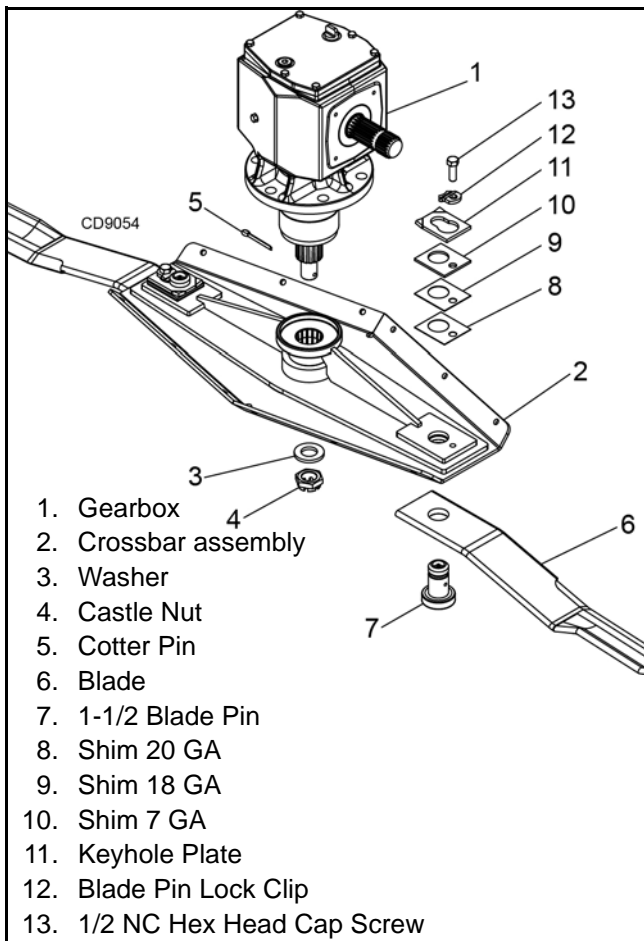


Figure 13. Blade Assembly

NOTICE

■ When sharpening blades, grind the same amount on each blade to maintain balance. Replace blades in pairs. Unbalanced blades will cause excessive vibration, which can damage gearbox bearings. Vibration may also cause structural cracks to cutter.

■ If blade pin (7) is seized in crossbar and extreme force will be needed to remove it, support crossbar from below to prevent gearbox damage.

1. Disconnect driveline from tractor PTO.
2. Raise cutter and block securely (see **Blocking Method, Figure 12**).
3. Open blade access cover and align crossbar assembly (2) with blade access hole in the cutter frame. Remove cap screw (13) blade pin lock clip (12) keyhole plate (11) and shims (8, 9 & 10). Carefully drive blade pin out of crossbar.
4. Rotate crossbar and repeat for opposite blade.

Blade Installation

Refer to Figure 13.

CAUTION

■ Your dealer can supply genuine replacement blades. Substitute blades may not meet original equipment specifications and may be dangerous.

■ Crossbar rotation is counterclockwise when looking down on cutter. Be sure to install blade cutting edge to lead in counterclockwise rotation.

1. Inspect blade pin (7) for nicks or gouges, and if you find any replace the blade pin.
2. Insert blade pin through the blade. Blade should swivel on blade pin; if it doesn't determine the cause and correct.
3. Align crossbar assembly (2) with blade access hole in cutter frame. Apply a liberal coating of Never Seez® or equivalent to blade pin and crossbar hole. Make sure blade offset is away from cutter.
4. Insert blade pin (7) through blade. Push blade pin through crossbar.
5. Install shims (8, 9 & 10) over blade pin.

NOTE: Only use enough shims to allow keyhole plate (11) to slide into blade pin groove.

6. Install blade clip (12) over keyhole plate and into blade pin groove.
7. Secure into position with cap screw (13). Torque cap screw to 85 lbs-ft.
8. Repeat steps for opposite side.

NOTE: Blade should be snug but should swivel on pin without having to exert excessive force. Keep any spacers not used in the installation as replacements or for future installation.

Blade Sharpening

1. Sharpen both blades at the same time to maintain balance. Follow original sharpening pattern.
2. Do not sharpen blade to a razor edge—leave at least a 1/16" blunt edge.
3. Do not sharpen back side of blade.

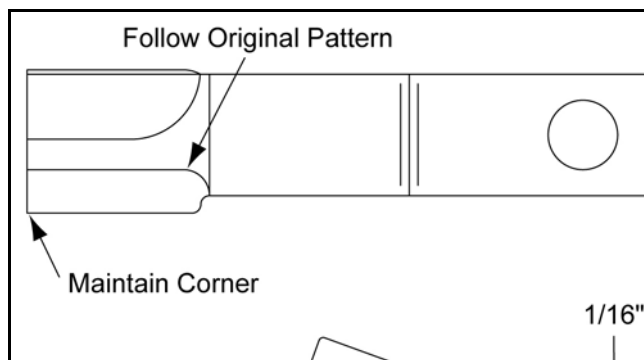


Figure 14. Blade Sharpening

SLIP CLUTCH ADJUSTMENT

The slip clutch is designed to slip so that the gearbox and driveline are protected if the cutter strikes an obstruction.

A new slip clutch or one that has been in storage over the winter may seize. Before operating the cutter, make sure it will slip by performing the following operation:

1. Turn off tractor engine and remove key.
2. Remove driveline from tractor PTO.
3. Loosen six 12 mm cap screws (7) to remove all tension from the compression springs (5).
4. Hold clutch hub (3) solid and turn shaft to make sure clutch slips.
5. If clutch does not slip freely, disassemble and clean the flange yoke (1), clutch hub (3), drive plates (4 & 5), and thrust plate faces (6).
6. Reassemble clutch.
7. Compress each of the six compression springs (8) by tightening the six cap screws (7) and lock nuts (10). The compression springs should be compressed to a height of 1-7/16", not including washer (9). The minimum spring height is 1.36". See Figure 12.
8. If a clutch continues to slip when the springs are compressed to 1.36", check friction discs (2) for excessive wear. Discs are 1/8" when new. Replace discs after 1/16" wear.

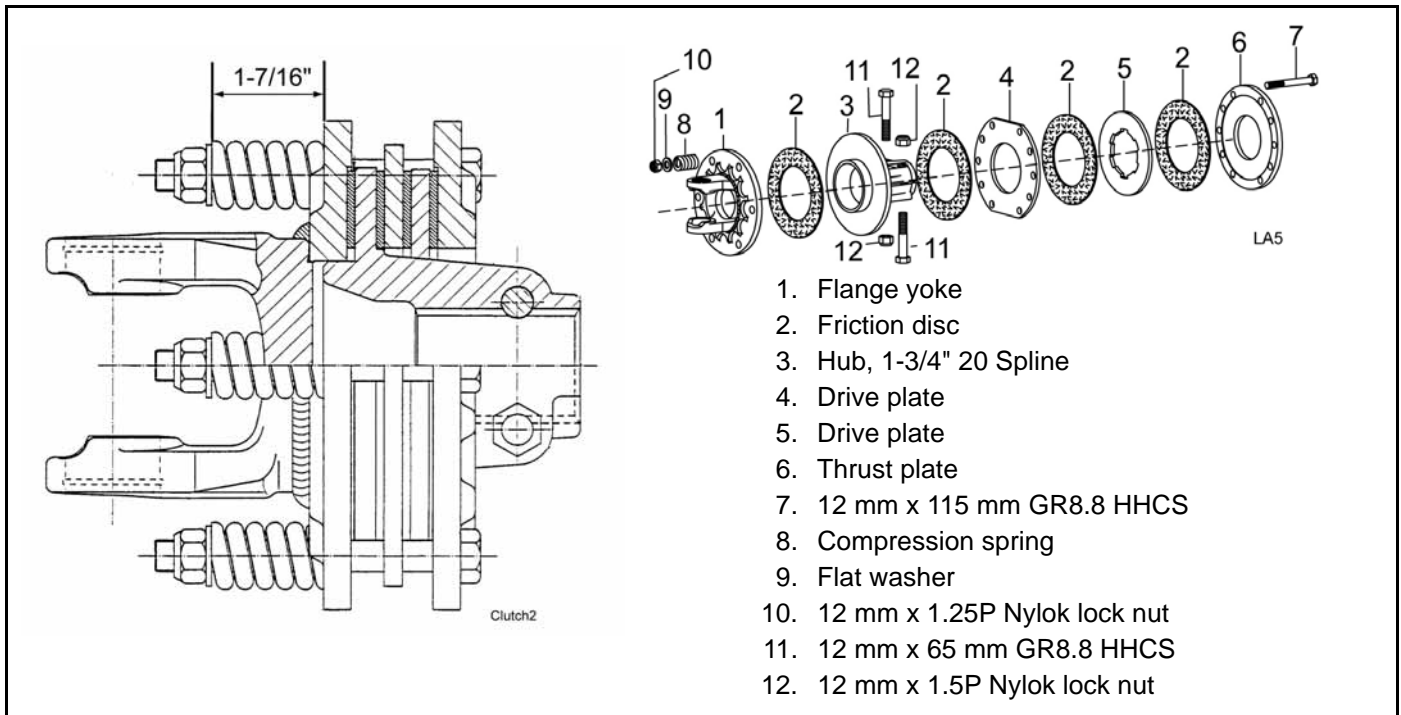


Figure 15. Slip Clutch Assembly

SHIELDING REPAIR

⚠ DANGER

■ Full chain shielding must be installed when operating in populated areas or other areas where thrown objects could injure people or damage property.

- If this machine is not equipped with full chain shielding, operation must be stopped.
- This shielding is designed to reduce the risk of thrown objects. The mower deck and protective devices cannot prevent all objects from escaping the blade enclosure in every mowing condition. It is possible for objects to ricochet and escape, traveling as much as 300 feet (92 m).

Chain Shielding

Inspect chain shielding each day of operation and replace any broken or missing chains as required.

Inspect chain brackets and replace if bent, cracked, or broken.

CLEANING CUTTER

After Each Use

- Remove large debris such as clumps of dirt, grass, crop residue, etc. from machine.
- Inspect machine and replace worn or damaged parts.
- Replace any safety decals that are missing or not readable.

Periodically or Before Extended Storage

- Clean large debris such as clumps of dirt, grass, crop residue, etc. from machine.
- Remove the remainder using a low-pressure water spray.
 1. Be careful when spraying near scratched or torn safety decals or near edges of decals as water spray can peel decal off surface.
 2. Be careful when spraying near chipped or scratched paint as water spray can lift paint.
 3. If a pressure washer is used, follow the advice of the pressure washer manufacturer.
- Inspect machine and replace worn or damaged parts.
- Sand down scratches and the edges of areas of missing paint and coat with Woods spray paint of matching color (purchase from your Woods dealer).
- Replace any safety decals that are missing or not readable (supplied free by your Woods dealer).
- See Safety Decals section for location drawing.

TROUBLESHOOTING

MOWING CONDITIONS

PROBLEM	POSSIBLE CAUSE	SOLUTION
Grass cut lower in center of swath than at edge	Height of cutter lower at rear or front	Adjust cutter height and attitude so that cutter rear and front are within 1/2" of same height. See Cutting Height Adjustment (Figure 10), page 15.
Streaking conditions in swath	Conditions too wet for mowing	Allow grass to dry before mowing.
	Blades unable to cut that part of grass pressed by path of tractor tires	Slow ground speed of tractor but keep engine running at full PTO rpm. Cutting lower will help.
	Dull blades	Sharpen or replace blades.
Material discharges from cutter unevenly; bunches of material along swath	Material too high and too much material	Reduce ground speed but maintain 540 RPM at tractor PTO or make two passes over material. Raise cutter for the first pass and lower to desired height for the second and cut at 90° to first pass. Raise rear of cutter high enough to permit material to discharge but not so high to cause conditions listed above.
	Grass wet	Allow grass to dry before mowing. Slow ground speed of tractor but keep engine running at full PTO rpm. Cutting lower will help.
	Rear of cutter too low, trapping material under cutter	Adjust cutter height and attitude.
Cutter will not cut all the time (Slip clutch drive only)	Slip clutch slipping	Adjust slip clutch according to instructions in SLIP CLUTCH adjustment, page 20.

DEALER SERVICE

The information in this section is written for dealer service personnel. The repair described here requires special skills and tools. If your shop is not properly equipped or your mechanics are not properly trained in this type of repair, do not attempt this repair.

WARNING

- Before working underneath, read manual instructions, securely block up, and check stability. Secure blocking prevents equipment from dropping due to hydraulic leak down, hydraulic system failure, or mechanical component failure.
- Keep all persons away from operator control area while performing adjustments, service, or maintenance.

CAUTION

- Always wear relatively tight and belted clothing to avoid getting caught in moving parts. Wear sturdy, rough-soled work shoes and protective equipment for eyes, hair, hands, hearing, and head; and respirator or filter mask where appropriate.

GEARBOX MAINTENANCE

NOTE: Read this entire section before starting any repair. Many steps are dependent on each other.

1. Fill gearbox with SAE 80W or 90W gear lube until it runs out the side level plug.

NOTE: Repair to this gearbox is limited to replacing bearings, seals, and gaskets. Replacing gears, shafts, and a housing is not cost effective. Purchasing a complete gearbox is more economical.

2. Inspect gearbox for leakage and bad bearings. Leakage is a very serious problem and must be corrected immediately.

Bearing failure is indicated by excessive noise and side-to-side or end-play in gear shafts.

Seal Replacement

Recommended sealant for gearbox repair is Permatex® Aviation 3D Form-A-Gasket or equivalent.

Leakage can occur at the vertical or horizontal gaskets and shaft seals.

Leakage at the horizontal gasket or seal can be repaired without removing the gearbox from the cutter.

Seal Installation

Refer to Figure 17.

NOTE: Proper seal installation is important. An improperly installed seal will leak.

1. Clean area in housing where seal outer diameter (OD) seats. Apply a thin coat of Permatex®.
2. Inspect area of shaft where seal seats. Remove any burrs or nicks with an emery cloth.
3. Lubricate gear shaft and seal lips.
4. Place seal squarely on housing, spring-loaded lip toward housing. Select a piece of pipe or tubing with an OD that will sit on the outside edge of the seal but will clear the housing. Tubing with an OD that is too small will bow seal cage and ruin seal.
5. Carefully press seal into housing, avoiding distortion to the metal seal cage.

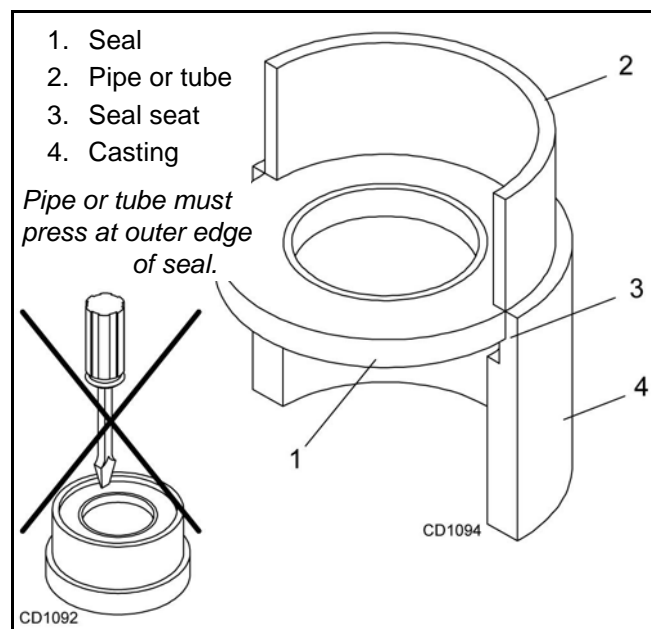


Figure 17. Seal Installation

Vertical Shaft Seal Replacement

Refer to Figure 18.

1. Disconnect and remove the rear driveline from the gearbox.
2. Remove drain plug and drain gear lube from housing. Replace plug when empty.
3. Remove crossbar (see **Crossbar Removal, page 26**).
4. Remove protective seal (8) and vertical shaft seal (18). Replace seal (18) with new seal (see **Seal Replacement, page 23**).

Vertical seal should be recessed in housing. Horizontal seal (19) should be pressed flush with outside of housing.

NOTE: Distortion to seal cage or damage to seal lip will cause seal to leak.

5. Fill gearbox with SAE 80W or 90W gear lube until it runs out the level plug.

6. Remove and replace any seal damaged in installation.

Horizontal Shaft Seal Replacement

Refer to Figure 18.

1. Disconnect and remove the rear driveline from the gearbox.
2. Remove vent plug (24) and siphon gear lube from housing through this opening.
3. If the leak occurred at either end of horizontal shaft, remove oil cap (20) and/or oil seal (19). Replace with new one (refer to **Seal Replacement, page 23**).
4. Fill gearbox with SAE 80W or 90W gear lube until it runs out the level plug.

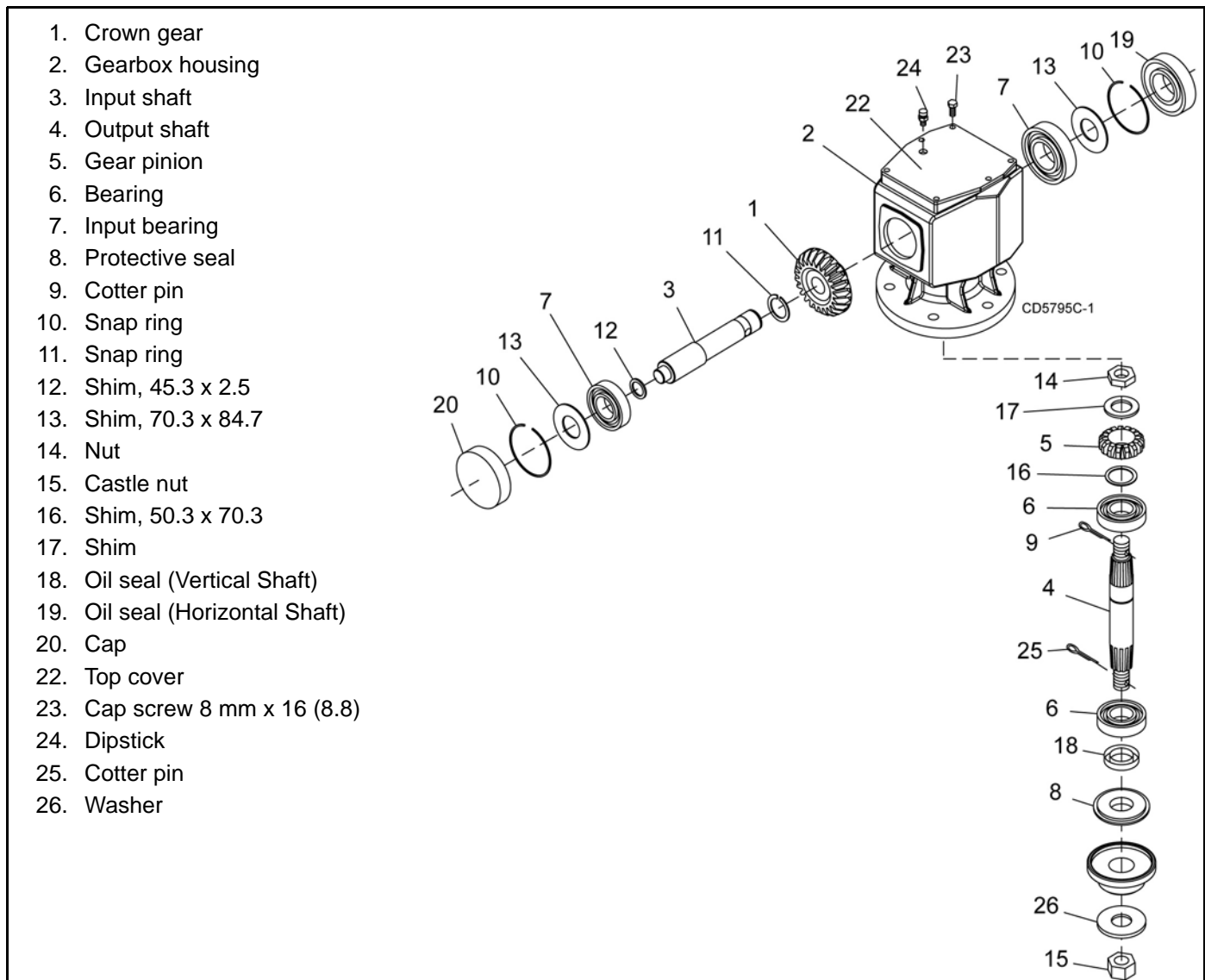


Figure 18. Gearbox Assembly

GEARBOX REPAIR

Remove Gearbox from Cutter

Refer to Figure 18.

1. Disconnect and remove the rear driveline from the gearbox.
2. Remove breather level plug (24) and siphon gear lube from housing through this opening.
3. Remove 9 ga. wire and nut from vertical shaft and remove crossbar (see **Crossbar Removal, page 26**).
4. Remove the six bolts that attach gearbox to cutter and remove gearbox.

Disassemble Gearbox

Refer to Figure 18.

1. Remove plug from side of gearbox and pour out gear oil.
2. Remove oil cap (20) (to be replaced).
3. Remove snap ring (10) and shim (13) from input shaft (3).
4. Support gearbox in hand press and push on input shaft (3) to remove bearing (7).
5. Remove six cap screws (23) and top cover (22) from housing. Remove gear (1) from inside housing.
6. Remove oil seal (19) from front of housing (to be replaced).
7. Remove snap ring (10) and shim (13) from front of housing (2).
8. Remove input bearing (7) by using a punch and hammer from outside of housing.
9. Support housing in vise in a horizontal position.
10. The castle nut (15), 9 ga. wire (25), and hub are already removed with the stump jumper/crossbar. Remove the protective seal (8), and oil seal (18).
11. Remove cotter pin (9), castle nut (14), and washer (17) from output shaft (4).
12. Remove output shaft (4) by using a punch and hammer and tap on top to drive down. Remove gear (5) and shim (16) from inside housing.
13. Remove bottom bearing (6) by using a punch and hammer from the top, outside the housing.
14. Support housing upside down (top cover surface) and remove second bearing (6) by using a punch and hammer from the bottom side of the housing.
15. Inspect gears for broken teeth and wear. Some wear is normal and will show on loaded side. Forged gear surfaces are rough when new. Check that wear pattern is smooth.

16. Inspect vertical and horizontal shafts for grooves, nicks, or bumps in the areas where the seals seat. Resurface any damage with emery cloth.
17. Inspect housing and caps for cracks or other damage.

Gearbox Assembly

Refer to Figure 18.

NOTE: Repair to this gearbox is limited to replacing bearings, seals, and gaskets. Replacing gears, shafts, and a housing is not cost effective. Purchasing a complete gearbox is more economical.

1. Clean housing, paying specific attention to areas where gaskets will be installed.
2. Wash housing and all components thoroughly. Select a clean area for gearbox assembly. Replace all seals, bearings, and gaskets. All parts must be clean and lightly oiled before reassembling.
3. Insert both output bearings (6) in the housing, using a round tube of the correct diameter and a hand press.
4. Slide output shaft (4) through both bearings (6) until it rests against top bearing (6).
5. Slide shim (16) over output shaft (4).
6. Press gear (5) onto output shaft (4) and secure with washer (17), castle nut (14), and cotter pin (9).
7. Apply grease to lower seal lips (18) and press seal (18) over output shaft (4), using a tube of the correct diameter. Be sure not to damage the seal lip.

Press in housing so that seal is recessed. Press protective seal (8) until seated flush with housing. Verify that the seal (8) is seated correctly.
8. Press bearing (7) into the housing, using a round tube of the correct diameter and a hand press. Secure with shim (13) and snap ring (10).
9. Secure snap ring (11) on input shaft (3) if not already secure.
10. Place gear (1) through top of housing and align gear (1) and gear (5) so that gear teeth are a match.
11. While holding gear (1) in place, slide input shaft (3) through gear (1) and bearing (7). Align splines on shaft (3) and gear (1).
12. Slide spacer (12) over input shaft (3) and press bearing (7) onto input shaft (3), using a round tube of the correct diameter and a hand press.
13. Slide shim (13) over input shaft (3) and secure with snap ring (10).
14. Check input shaft end float by moving the input shaft (3) by hand. If end float is higher than 0.012", insert shim between input shaft (3) and rear bearing (7). Repeat until end float is less than

0.012". Check rotational torque by hand. The torque should be less than 2.2 lbs-inch.

15. Check that the gear backlash is between 0.006" and 0.016". You should not have to adjust the backlash.
16. Press in input oil seal (19), using tube of correct diameter. Be careful not to damage seal lip.
17. Press oil cap (20) on to cover the rear of housing, using a tube of the correct diameter.
18. Place top cover (22) on top of housing and secure with six cap screw (23).
19. Check gearbox housing for leaks by plugging all holes except one. Apply 4 psi compressed air and immerse the gearbox in water to verify that there are no leaks.
20. Remove gearbox from water and dry off with compressed air. Add SAE 80W or 90W EP oil until it runs out of side level hole. Tighten all plugs.

Reinstall Gearbox

CAUTION

■ Gearbox is heavy; do not attempt to move without mechanical assistance.

1. Set gearbox on cutter and fasten with bolts and nuts. Torque bolts to 300 lbs-ft.
2. Attach crossbar (see **Crossbar Installation**, page 27).

CROSSBAR REMOVAL

1. It is necessary to gain access to bottom side of cutter for crossbar removal. See **BLOCKING METHOD**, page 18.

NOTE: You will need to use either the puller screw (Item 6, Figure 19) or a small hydraulic jack to remove the crossbar.

2. Remove blade pin hardware, blade pins and blades from crossbar.
3. Remove retaining wire from bottom of crossbar and remove nut and washer.
4. **Refer to Figure 19.** Attach clevis (1) to each end of crossbar, using blade pins, spacers, keyhole plates, and blade pin clips.
5. Position tube assembly (5) with threaded nut toward crossbar for puller screw removal or down for hydraulic jack removal.

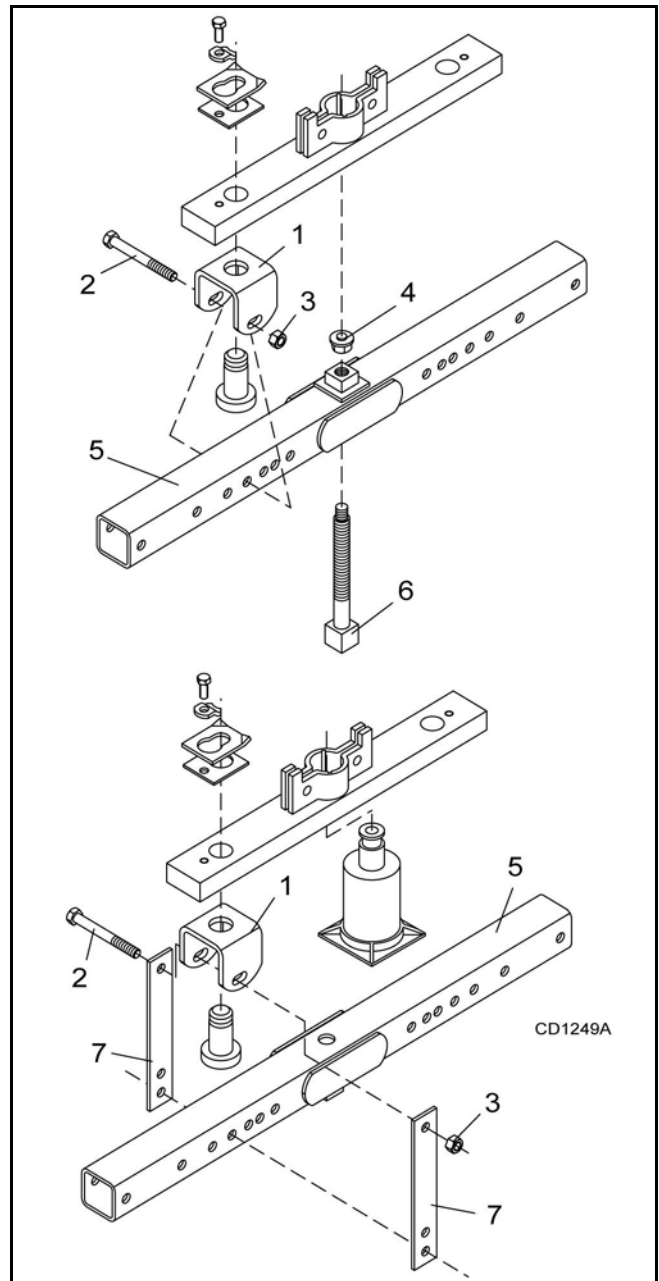


Figure 19. Crossbar Removal

6. For removal with puller screw, attach tube (5) to each clevis with bolts (2) and nuts (3). Place pad (4) in nut and thread puller screw (6) into nut from bottom. Tighten until pad is solid against gearbox shaft. For best results, strike head of puller screw with a hammer while tightening with a wrench.
7. For removal with a jack, attach tube to each clevis with puller links (7), bolts (2), and nuts (3). Place jack on tube with end of jack pressing against gearbox shaft. Slowly apply force with jack.

NOTE: Hydraulic jack will not operate if tipped more than 90°. Use care to prevent bending crossbar during removal.

CROSSBAR INSTALLATION

Using emery cloth (220 or finer), remove surface rust, Loctite® and foreign material from hub, splined gearbox, vertical shaft, and crossbar as shown in Figure 20.

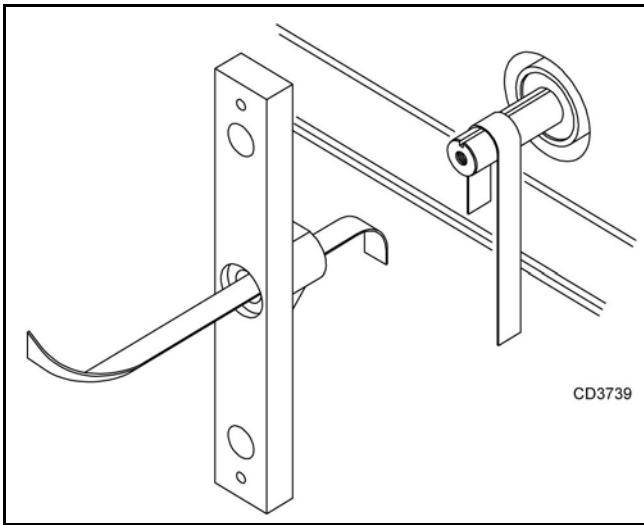


Figure 20

Refer to Figure 21.

8. Install crossbar (2) on splined shaft. Install washer (5) and nut (3). Torque nut to 450 lbs-ft.
9. Install cotter pin (4) (supplied) through gearbox shaft and slots in nuts. Twist end of pin around nut (3).

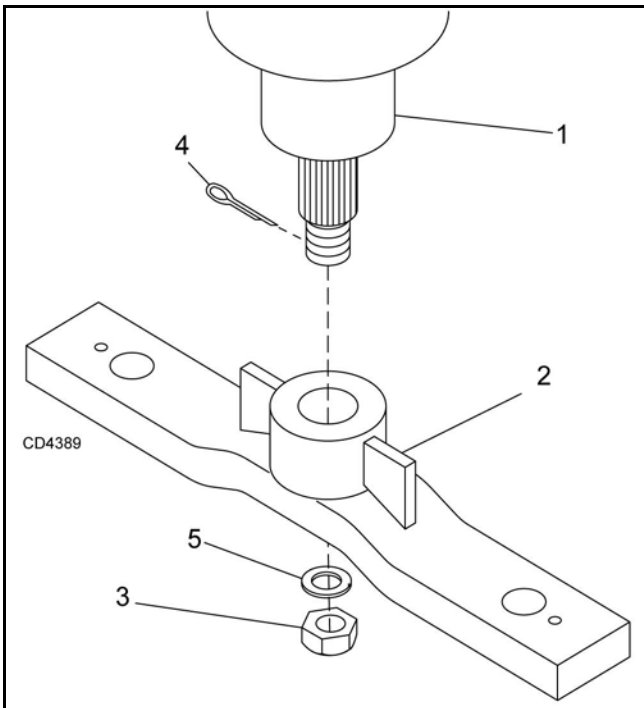


Figure 21

UNIVERSAL JOINT REPAIR

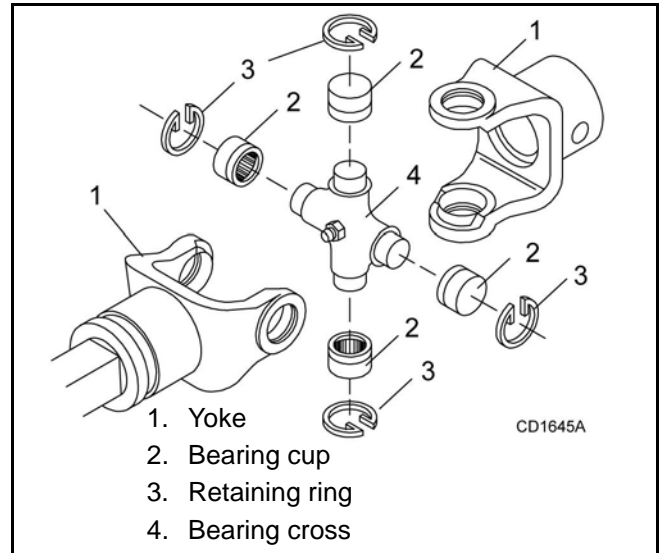


Figure 22. U-Joint Exploded View

U-Joint Disassembly

1. Remove external snap rings from yokes in four locations as shown in Figure 23.

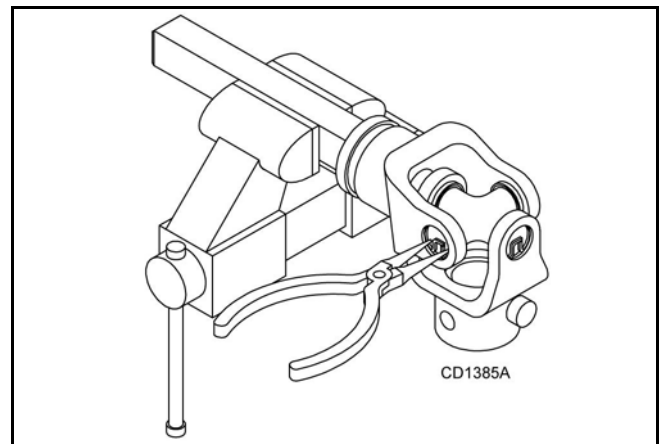


Figure 23. Remove Snap Ring

2. With snap rings removed, support drive in vise, hold yoke in hand and tap on yoke to drive cup up out of yoke. See Figure 24.

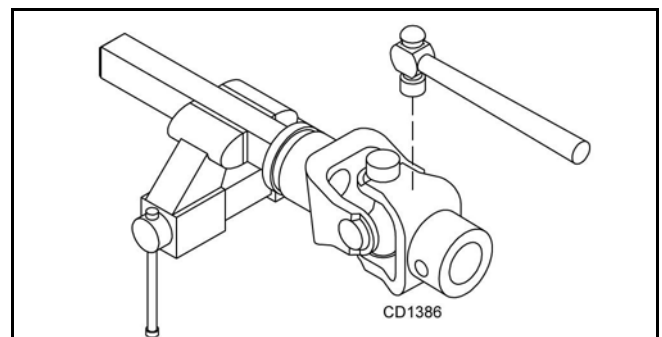


Figure 24. Remove Bearing Cups

3. Clamp cup in vise as shown in Figure 25 and tap on yoke to completely remove cup from yoke. Repeat Step 2 & 3 for opposite cup.

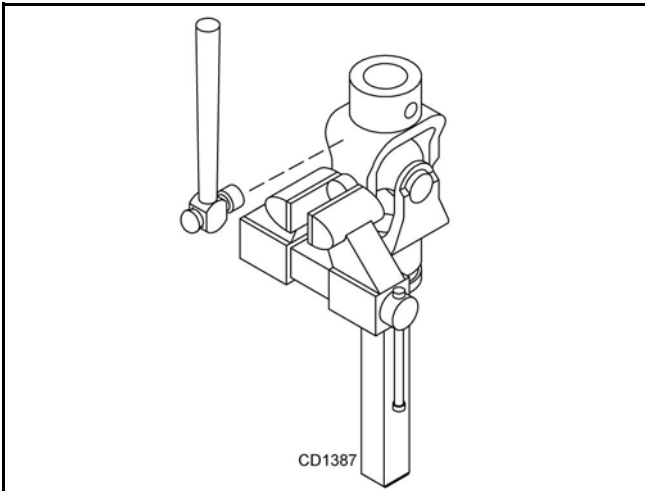


Figure 25. Remove Bearing Cups

4. Place universal cross in vise as shown in Figure 26 and tap on yoke to remove cup. Repeat Step 3 for final removal. Drive remaining cup out with a drift and hammer.

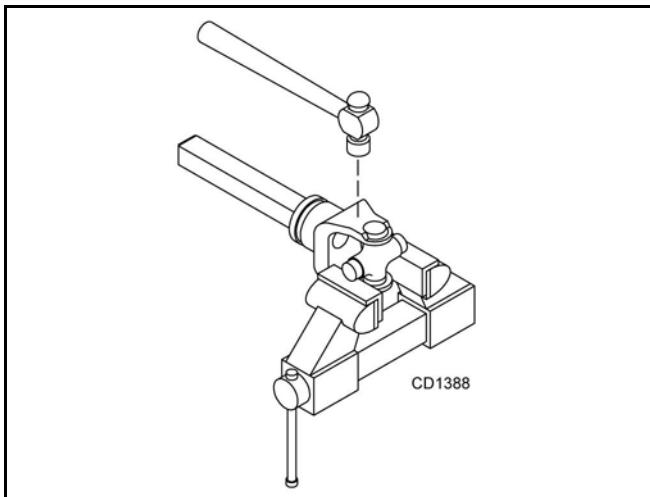


Figure 26. Remove Bearing Cups

U-Joint Assembly

1. Place seals securely on bearing cups. Insert cup into yoke from outside and press in with hand pressure as far as possible. Insert journal cross into bearing cup with grease fitting away from shaft. Be careful not to disturb needle bearings. Insert another bearing cup directly across from first cup and press in as far as possible with hand pressure.

Trap cups in vise and apply pressure. Be sure journal cross is started into bearings and continue pressure with vise, squeezing in as far as possible. Tapping the yoke will help.

2. Seat cups by placing a drift or socket (slightly smaller than the cup) on cup and rap with a hammer. See Figure 27. Install snap ring and repeat on opposite cup.
3. Repeat Step 1 & Step 2 to install remaining cups in remaining yoke.
4. Move both yokes in all directions to check for free movement. If movement is restricted, rap on yokes sharply with a hammer to relieve any tension. Repeat until both yokes move in all directions without restriction.

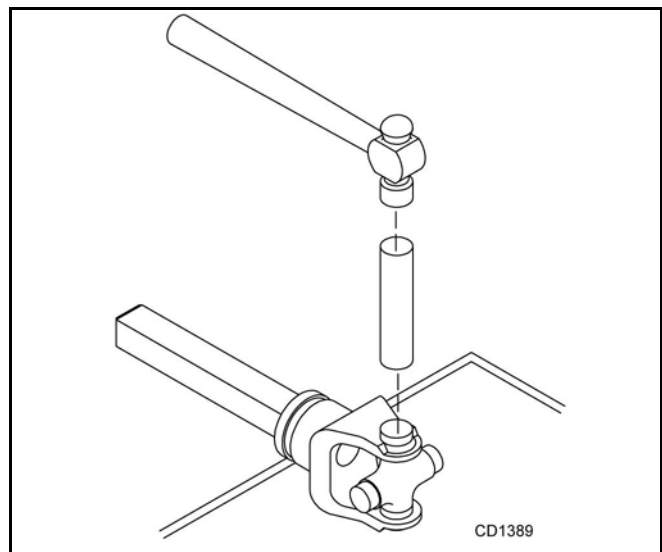
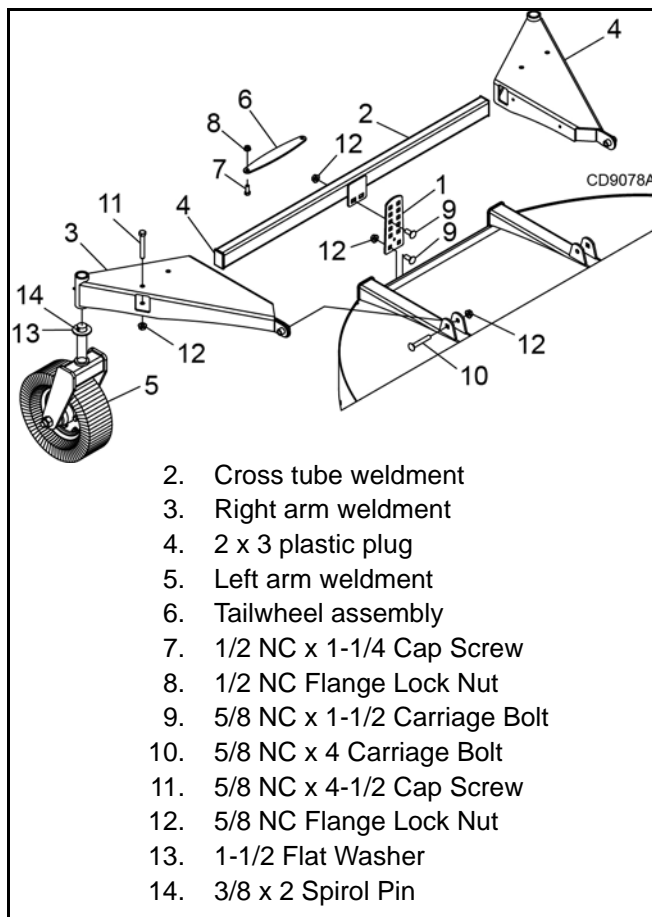


Figure 27. Install Bearing Cups

3. Attach tailwheel arm (9) and lift arms (4) to cutter using 5/8 NC x 4 carriage bolts (15), 5/8 x 1 x 7/16 sleeves (7), and 5/8 NC flanged lock nuts (14).
4. Select desired cut height adjustment holes and secure tailwheel arm (9) to height adjustment plate (8) using 5/8 NC x 1-1/2 carriage bolts (13) and 5/8 NC flanged lock nuts (14).
5. Rotate A-frame bars (1) up and attach break link (3) and sleeve (2) to lower hole in top of A-frame bars using cap screw (16) and flanged lock nut (17).
6. Rotate lift arms (4) upward and attach to break link (3) and driveline holder (5) using 11/16 x 1-1/4 x 1-3/8 sleeve (6), 5/8 x 1 x 7/16 sleeves (7), 5/8 NC x 4 carriage bolt (15), and 5/8 flanged lock nut (14).
7. Secure tailwheel clevis (10) to tailwheel arm (9) using 1-1/2 flat washer (11) and 3/8 x 2 roll pin (11).

1. Install front center (1), right (2), and left (3) chain shield brackets to front frame of cutter using carriage bolts (6) and lock nuts (7).
2. Install rear right (4) and left (5) chain shield brackets to rear of cutter using carriage bolts (6) and lock nuts (7).

INSTALL DUAL TAILWHEEL - BB72.60D & BB84.60D ONLY (FIGURE 30)



2. Cross tube weldment
3. Right arm weldment
4. 2 x 3 plastic plug
5. Left arm weldment
6. Tailwheel assembly
7. 1/2 NC x 1-1/4 Cap Screw
8. 1/2 NC Flange Lock Nut
9. 5/8 NC x 1-1/2 Carriage Bolt
10. 5/8 NC x 4 Carriage Bolt
11. 5/8 NC x 4-1/2 Cap Screw
12. 5/8 NC Flange Lock Nut
13. 1-1/2 Flat Washer
14. 3/8 x 2 Spirol Pin

Figure 30. Dual Tailwheel Assembly

1. Install height adjustment bracket (1) to rear of cutter using 5/8 NC x 1-1/2 carriage bolts (9) and 5/8 NC flanged lock nuts (12).
2. Slide right arm weldment (3) and left arm weldment (4) over cross tube weldment (2). Orient as shown. Do not install hardware at this time.
3. Place arm and cross tube assembly onto rear of deck aligning pivot tubes of arms between lugs on deck. The center bracket on the cross tube (2) should be in line with the height adjustment bracket (1).
4. Secure pivots of arm weldments (3 & 4) to deck using 5/8 NC x 4 carriage bolts (10) and 5/8 NC flanged lock nuts (12).

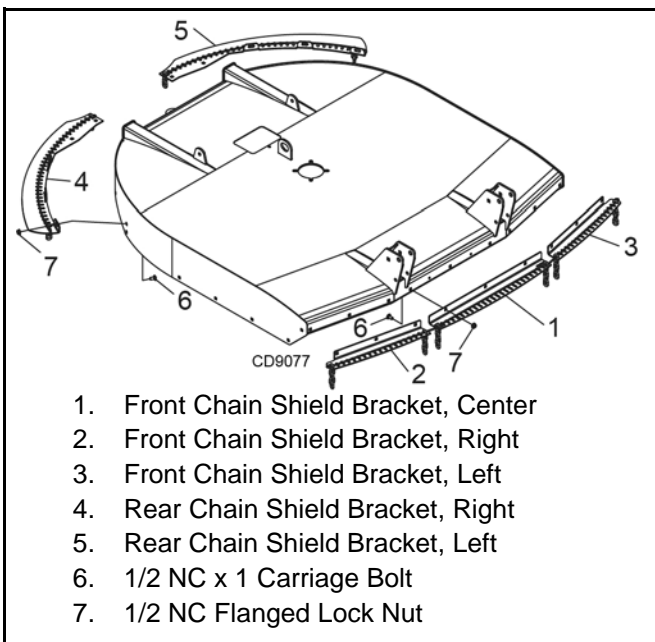
INSTALL SAFETY SHIELDING

⚠ DANGER

■ Full chain shielding must be installed when operating in populated areas or other areas where thrown objects could injure people or damage property.

- If this machine is not equipped with full chain shielding, operation must be stopped.
- This shielding is designed to reduce the risk of thrown objects. The mower deck and protective devices cannot prevent all objects from escaping the blade enclosure in every mowing condition. It is possible for objects to ricochet and escape, traveling as much as 300 feet (92 m).

Front and Rear Chain Shielding (Figure 29)



1. Front Chain Shield Bracket, Center
2. Front Chain Shield Bracket, Right
3. Front Chain Shield Bracket, Left
4. Rear Chain Shield Bracket, Right
5. Rear Chain Shield Bracket, Left
6. 1/2 NC x 1 Carriage Bolt
7. 1/2 NC Flanged Lock Nut

Figure 29. Chain Shield Assembly

5. Clamp arms (3 & 4) to cross tube (2) using 5/8 NC x 4-1/2 cap screws (11) and 5/8 NC flanged lock nuts (12).
6. Install tailwheel assembly (5) into right (3) and left (4) arms. Secure with 1-1/2 flat washer (13) and 3/8 x 2 spirol pin (14).
7. Install plastic plug (4) into each end of cross tube weldment (2).
8. Install chain shield extension plate (6) on top of rear chain shield brackets and secure with 1/2 NC x 1-1/4 cap screws (7) and 1/2 NC flanged lock nuts (8).

Install Slip Clutch Driveline

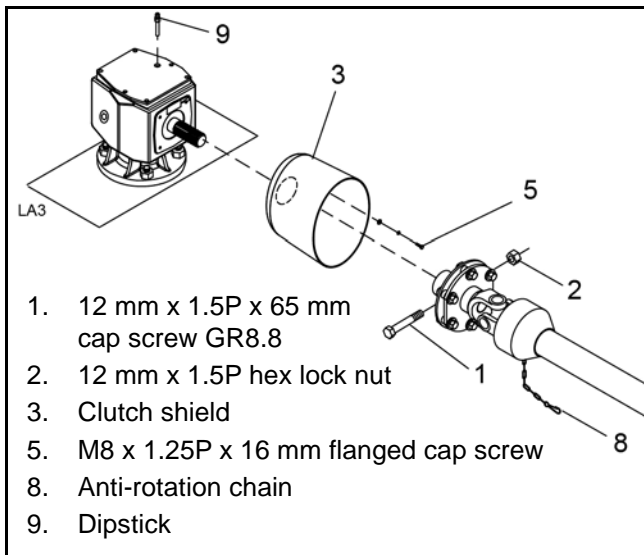


Figure 31. Slip Clutch Driveline Assembly

A new slip clutch, or one that has been in storage over the winter, may seize.

NOTICE

■ A grade 8.8 metric bolt must be used to attach clutch driveline to gearbox.

1. Before operating slip clutch, make sure it will slip. Refer to SLIP CLUTCH adjustment, page 20.
2. Position the shield (3) against gearbox. Install shield and torque bolts (5) to 12 lbs-ft.
3. Install driveline onto gearbox input shaft and secure with bolts (1) and nuts (2).
4. Lubricate rear driveline half and install front driveline half.

INSTALL CHECK CHAIN (OPTIONAL)

Check chains are used to carry the front of cutter at a set height. See Figure 32.

1. Thread check chains (2) through check chain bracket (1).
2. Attach lower end of check chain (2) to mast plate with bolt (5), washer (6), and nut (7).
3. Attach keyhole brackets (1) to each side of tractor top link bracket with bolt (3) and nut (4).

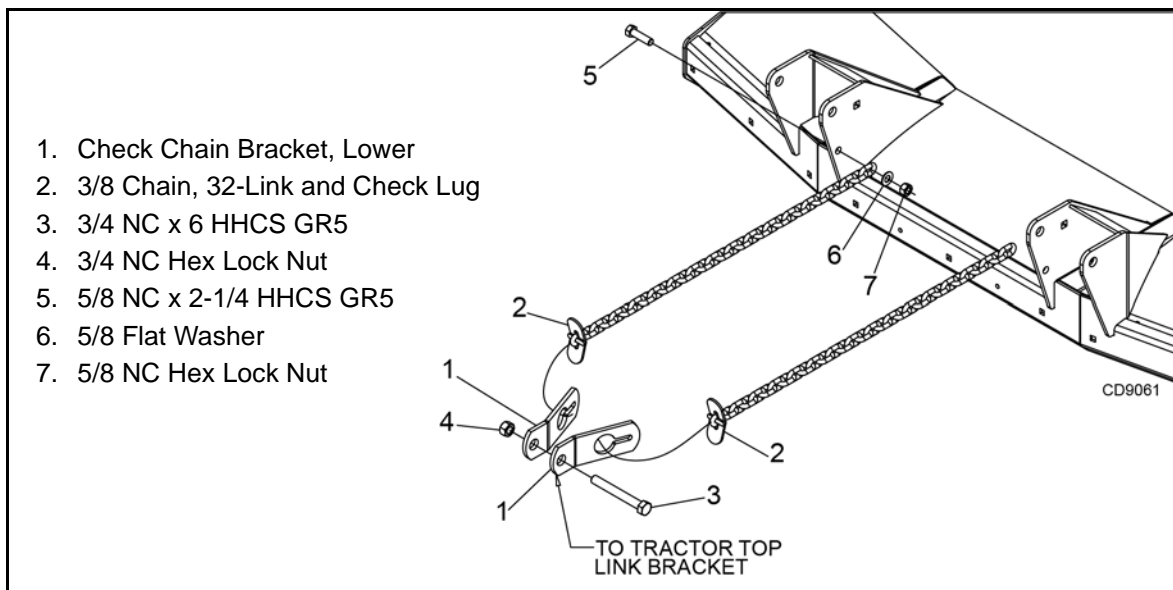


Figure 32. Optional Check Chain Assembly

DEALER CHECK LISTS

PRE-DELIVERY CHECK LIST (DEALER'S RESPONSIBILITY)

Inspect cutter thoroughly after assembly to make sure it is set up properly before delivering it to the customer. The following check list is a reminder of points to inspect. Check off each item as it is found satisfactory, corrections are made, or services are performed.

- ___ Check all bolts to be sure they are properly torqued.
- ___ Check that all cotter pins are properly installed and secured.
- ___ Check that PTO shaft is properly installed.
- ___ Check that gearbox is properly serviced and seals are not leaking.
- ___ Check and grease all lubrication points as identified in, **Lubrication Information, page 18.**
- ___ Check that blades have been properly installed.

DELIVERY CHECK (DEALER'S RESPONSIBILITY)

- ___ Show customer how to make adjustments. Describe the options available for this cutter and explain their purpose.
- ___ Explain importance of lubrication to customer and point out lubrication points on cutter.
- ___ Present Operator's Manual and request that customer and all operators read it before operating equipment. Point out the manual safety rules, explain their meanings and emphasize the increased safety hazards that exist when safety rules are not followed.
- ___ Point out all guards and shielding. Explain their importance and the safety hazards that exist when not kept in place and in good condition.
- ___ For mounted units, add wheel weights, ballast in front tires, and/or front tractor weight to enhance front end stability. A minimum 20% of tractor and equipment gross weight must be on front tractor wheels. When adding weight to attain 20% of tractor and equipment weight on front tractor wheels, you must not exceed the ROPS weight certification. Weigh the tractor and equipment. Do not estimate!
- ___ Explain to customer that when equipment is transported on a road or highway, safety devices should be used to give adequate warning to operators of other vehicles.



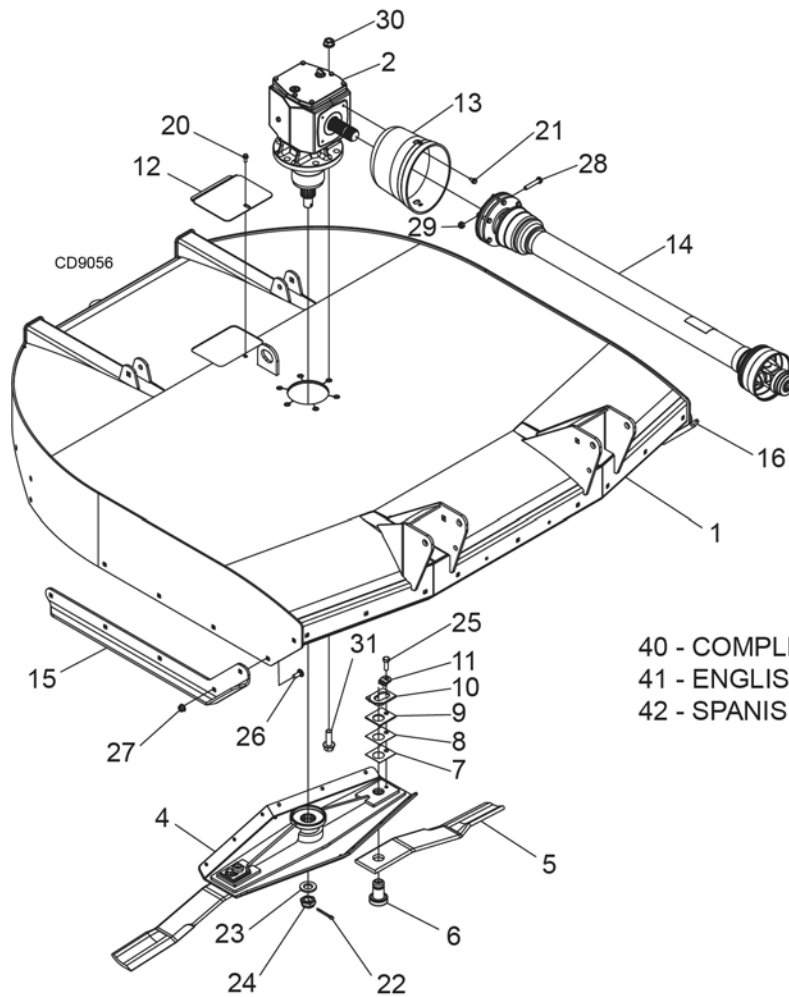
PARTS INDEX

BRUSHBULL™ Rotary Cutters

**BB60.60
BB72.60
BB84.60**

BRUSHBULL MAIN ASSEMBLY	36
BRUSHBULL HITCH ASSEMBLY	37
GEARBOX ASSEMBLY	38 - 39
SLIP CLUTCH DRIVE ASSEMBLY	40
TAILWHEEL ASSEMBLY (STANDARD)	41
FRONT & REAR CHAIN SHIELDING	43
CHECK CHAIN ASSEMBLY (OPTIONAL)	43
BB72.60 & BB84.60 DUAL TAILWHEEL (OPTIONAL)	44
ROUND STUMP JUMPER ASSEMBLY (OPTIONAL)	44

BRUSHBULL MAIN FRAME ASSEMBLY



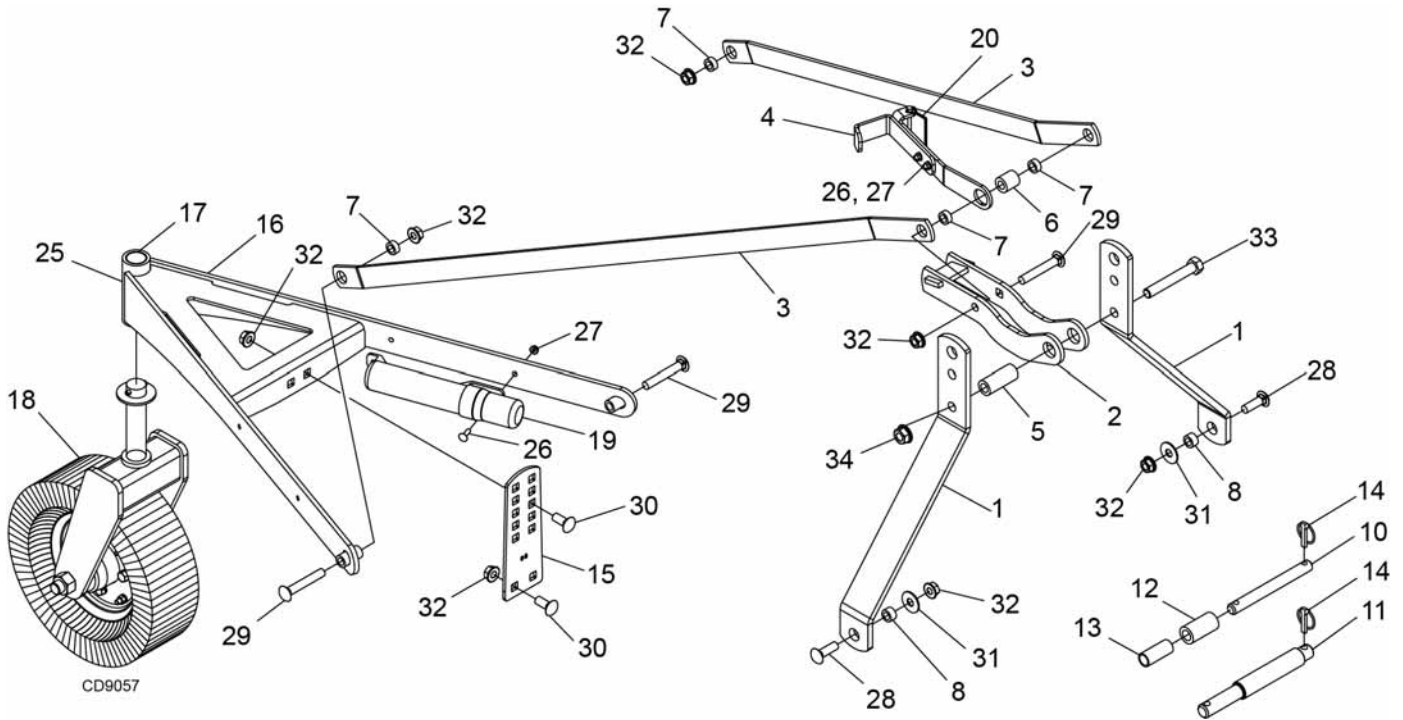
- 40 - COMPLETE DECAL SET
- 41 - ENGLISH SAFETY DECAL SET
- 42 - SPANISH SAFETY DECAL SET

REF	PART	QTY	DESCRIPTION
1	----	1	Deck weldment
2	----	1	Gearbox (see page 36)
4	610350RP	1	Crossbar - BB60.60
	610257RP	1	Crossbar - BB72.60, BB84.60
5	19160KT	1	Blade 1/2 x 4 x 25.0 CCW - BB60.60, BB72.60
	610303KT	1	Blade 1/2 x 4 x 31.0 CCW - BB84.60
6	608126RP	2	Blade pin
7	13946RP	2	20 GA 1-1/2 blade pin shim
8	10520RP	2	18 GA 1-1/2 blade pin shim
9	608142RP	2	7 GA 1-1/2 blade pin shim
10	32603	2	Keyhole plate special
11	32604RP	2	Blade pin lock clip
12	57050RP	1	Blade access cover
13	1002048	1	Clutch shield
14	----	1	Slip clutch driveline (see page 37)
15	610320RP	1	Skid shoe, right - BB60.60
	610254RP	1	Skid shoe, right - BB72.60
	610316RP	1	Skid shoe, right - BB84.60
16	610319RP	1	Skid shoe, left - BB60.60
	610255RP	1	Skid shoe, left - BB72.60

REF	PART	QTY	DESCRIPTION
	610315RP	1	Skid shoe, left - BB84.60
20	71851	1	.312 NC x 3/4 HFS
21	1041071	4	M8 - 1.25P x 16 mm HFS, CL8.8
22	603838 *	1	8 mm x 90 mm cotter pin
23	1045695	1	1.93 x 3.35 x .276 washer
24	1045894	1	M48 x 3.0 castle nut
25	3379 *	2	1/2 NC x 1-1/2 HHCS GR5
26	2615 *	12	1/2 NC x 1-1/4 carriage bolt
27	11900 *	12	1/2 NC flanged lock nut
28	57262	1	M12 - 1.5P x 65 HHCS
29	57261	1	M12 - 1.5P hex lock nut
30	W302207	6	3/4 NC flange lock nut
31	603845	6	3/4 NC x 2-1/4 hex flange screw
40	610132	1	Complete decal set
41	610133	1	English safety decal set
42	610134	1	Spanish safety decal set

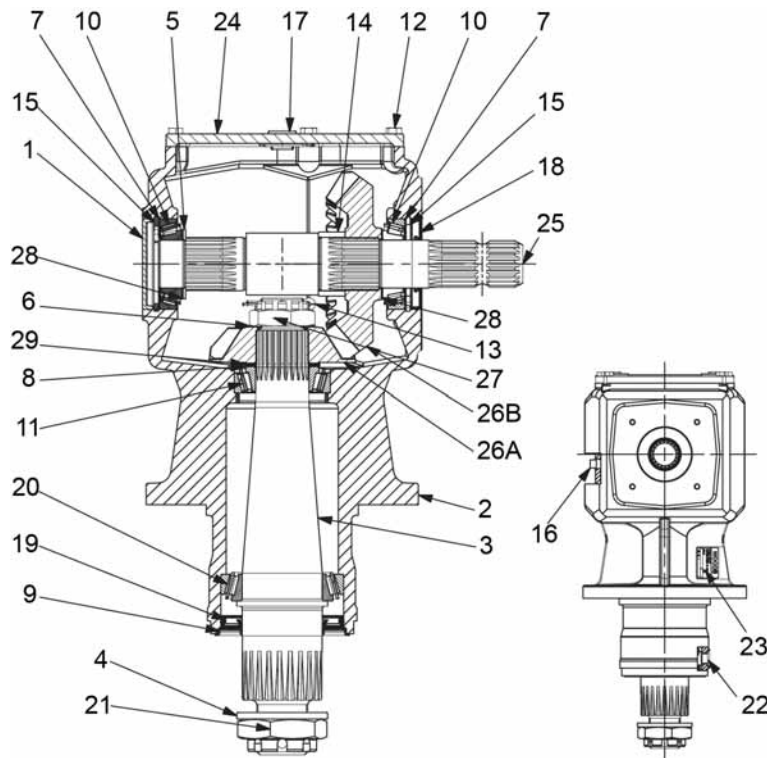
* Standard hardware, obtain locally
 HHCS Hex head cap screw
 HFS Hex flange screw

BRUSHBULL HITCH ASSEMBLY



REF	PART	QTY	DESCRIPTION	REF	PART	QTY	DESCRIPTION
1	610174RP	2	A-frame bar - BB60.60, BB72.60	18	----	1	Tailwheel assembly (see page 38)
	610251RP	2	A-frame bar - BB84.60	19	1026530	1	Manual tube
2	610189RP	1	Break link - BB60.60, BB72.60	20	S07095300	1	1/4 x 2-1/2 lock pin
	610355RP	1	Break link - BB84.60	25	12296 *	1	1/4 - 28 straight grease fitting, 15/32 long
3	610337RP	2	Lift arm - BB60.60	26	51243	4	5/16 NC x 1 carriage bolt
	610190RP	2	Lift arm - BB72.60	27	W73163 *	4	5/16 NC flange nut
	610227RP	2	Lift arm - BB84.60	28	2855 *	2	5/8 NC x 2 carriage bolt
4	610327RP	1	Driveline holder	29	W301147	2	5/8 NC x 4 carriage bolt
5	27140	1	3/4 x 1-1/4 x 3 sleeve - BB60.60, BB72.60	30	5607 *	4	5/8 NC x 1-1/2 carriage bolt
	609224	1	1 x 1-1/4 x 3 sleeve - BB84.60	31	692 *	2	5/8 flat washer
6	609222	1	11/16 x 1-1/4 x 1-3/8 sleeve	32	19025 *	11	5/8 NC flange lock nut
7	484	4	5/8 x 1 x 7/16 sleeve	33	2376 *	1	3/4 NC x 5 HHCS - BB60.60, BB72.60
8	1791	2	5/8 x 1 x 9/16 sleeve - BB60.60, BB72.60		1003606	1	1 NC x 6 HHCS - BB84.60
	67222	2	5/8 x 1 x 43/64 sleeve - BB84.60	34	W302207	1	3/4 NC flange lock nut - BB60.60, BB72.60
10	HBL233	2	7/8 x 6-15/16 headless pin - BB60.60, BB72.60		3132 *	1	1 NC hex lock nut - BB84.60
11	39064	2	Lower hitch pin - BB84.60				* Standard hardware, obtain locally
12	1002012	2	15/16 x 1-7/16 x 2-3/4 sleeve - BB60.60, BB72.60				HHCS Hex head cap screw
13	56598	2	7/8 x 1-1/8 x 2-5/8 sleeve - BB60.60, BB72.60				
14	43627	4	Lynch pin				
15	610168RP	1	Height adjustment plate				
16	610170RP	1	Wheel arm - BB60.60, BB72.60				
	610249RP	1	Wheel arm - BB84.60				
17	W11011	2	1-1/2 x 1-5/8 x 1-1/2 bronze bushing				

GEARBOX ASSEMBLY



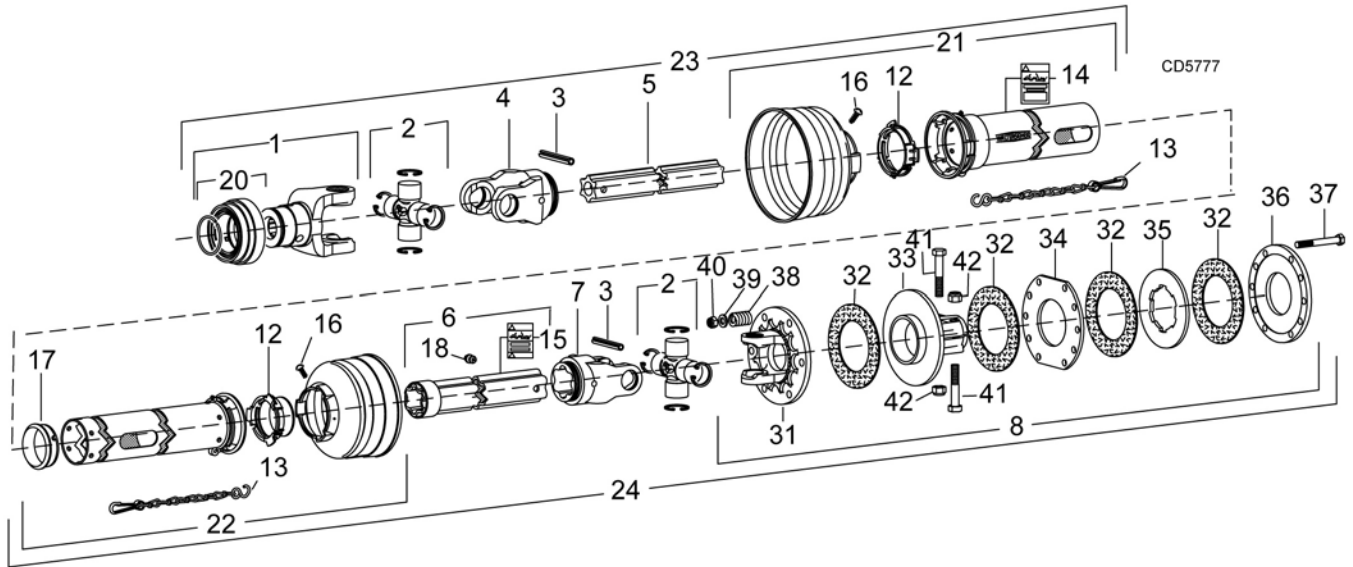
REF	QTY	BB60.60	BB72.60	BB84.60	DESCRIPTION
A	1	1045806	1045805	617182RP	Complete repair gearbox
1	1	57371	57371	57531	Cap 85 x 10
2	1	NS	NS	NS	Housing
3	1	1045672	1045672	1045672	Output shaft
4	1	1045695	1045695	1045695	49mm x 85mm x 7mm washer
5	1	57471	57471	57471	45.3mm x 65.3mm x 2.5mm shim
6	1	57471	57471	57471	40.3mm x 61.7mm x 1.0mm shim
7	2	57471	57471	57471	70.3mm x 84.7mm shim
8	1	57471	57471	57471	50.3mm x 70.3mm shim
9	1	1045700	1045700	1045700	Seal protector
10	2	39411	39411	39411	Taper roller bearing 30209
11	1	1025608	1025608	1025608	Bearing 32210
12	6	*	*	*	M8 x 25 HHCS CL8.8
13	1	*	*	*	Cotter pin 85 x 60,,
14	1	1045886	1045886	1045886	50mm x 60mm x 25mm spacer
15	2	1045887	1045887	1045887	Snap ring
16	1	27326	27326	27326	3/8 gas plug, solid
17	1	NS	NS	NS	1/2 gas plug, solid
18	1	57318	57318	57318	45mm x 85mm x 10mm seal
19	1	1045888	1045888	1045888	75mm x 115mm x 12mm NAK TCA3 NBR Seal
20	1	1045889	1045889	1045889	Taper roller bearing 32015
21	1	1045894	1045894	1045894	M48 x 3 castle nut
22	1	1045877	1045877	1045877	3/8 magnetic drain plug
23	1	NS	NS	NS	Name plate
24	1	1045895	1045895	1045895	Cover
25	1	1045896	1045896	1045896	Input shaft, 1-3/4 20 spline
26	1	1043503	1043502	614334	Bevel gear set
27	1	1045897	1045897	1045897	M40 - 1.5P castle nut
28	2	1045898	1045898	1045898	45.3mm x 65.3mm x 1.0mm shim
29	2	57471	57471	57471	50.3mm x 70.3mm x 1.0mm shim
30	1	1045872	1045872	1045872	1/2 x 6.18 dipstick
31	1	603838	603838	603838	Cotter pin B8 x 90mm

* Standard hardware, obtain locally

NS Not Serviced

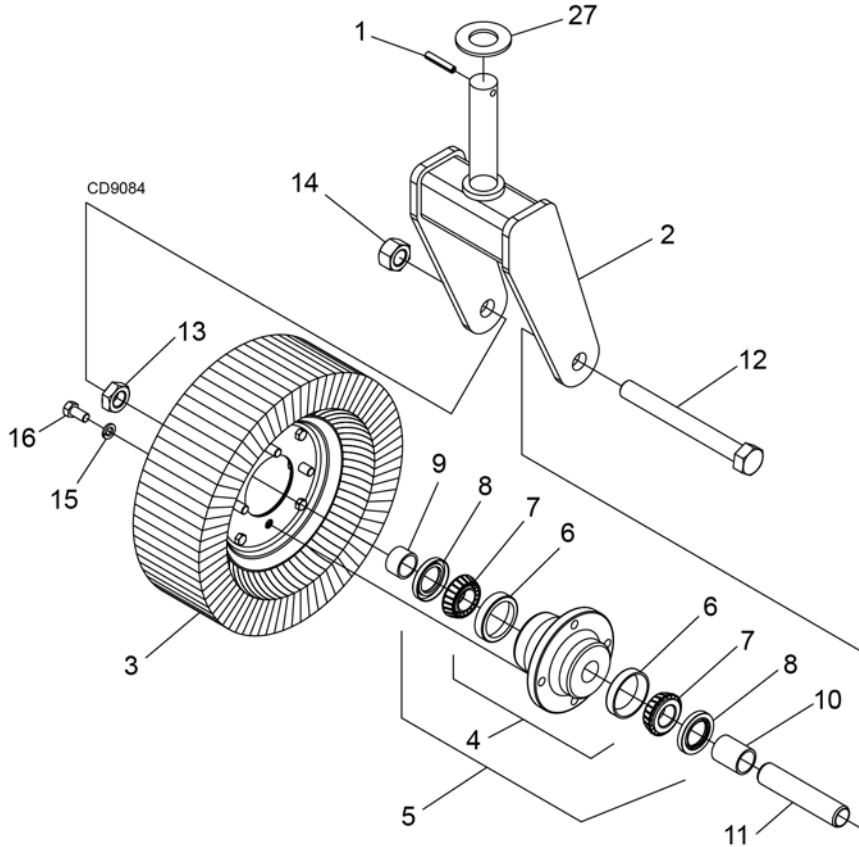
HHCS Hex Head Cap Screw

DRIVELINE ASSEMBLY



REF	PART	QTY	DESCRIPTION	REF	PART	QTY	DESCRIPTION
A	57419	1	Complete 540 RPM drive assembly BB60.60	21	57270	1	Outer guard half BB72.60, BB84.60
A	57422	1	Complete 540 RPM drive assembly BB72.60, BB84.60	22	57273	1	Inner guard half BB60.60
1	40563	1	Yoke, 1-3/8 - 6 Spline ASG	22	57271	1	Inner guard half BB72.60, BB84.60
2	40566	2	Cross and bearing	23	40754	1	Male drive half, complete BB60.60
3	40765	2	Spring pin 10 X 90 mm	23	57423	1	Male drive half, complete BB72.60, BB84.60
4	40750	1	Inboard yoke S4	24	57420	1	Female drive half, complete BB60.60
5	40752	1	Inner profile S4	24	57424	1	Female drive half, complete BB72.60, BB84.60
6	44676	1	Outer profile & sleeve S5	31	57441	1	Flange yoke
7	40751	1	Inboard yoke S5	32	57432	4	Friction disc
8	57421	1	Friction clutch 1340, 1-3/4, 20 spline	33	57442	1	Hub 1-3/4 - 20 I.C. -SN
12	40766	2	Bearing ring SC25	34	57443	1	Drive plate
13	40777	2	Anti-rotation chain	35	57256	1	Drive plate - SN
14	18864	1	Decal, danger rotating driveline	36	57257	1	Thrust plate
15	33347	1	Decal, danger guard missing	37	57263	6	M12 x 115 mm Hex head cap screw
16	40778	2	Screw	38	57258	6	Spring
17	40767	1	Support bearing	39	57265	6	Flat washer
18	40779	1	Grease fitting	40	57264	6	M12 Hex nut
20	40758	1	Slide lock collar repair kit	41	57262	2	M12 x 65 mm Hex head cap screw
21	40727	1	Outer guard half BB60.60	42	57261	2	M12 Hex nut

TAILWHEEL ASSEMBLY (STANDARD)



REF	PART	QTY	DESCRIPTION
1	4674	1	3/8 x 2 spirol pin
2	610171RP	1	Tailwheel clevis
3	12577	1	4 x 8 rim & laminated tire, 5" wide
4	15591	1	Hub w/ cups (includes item 6)
5	15277RP	1	Hub assembly (includes items 6-8)
6	309	2	Bearing cup
7	310	2	Bearing cone
8	314	2	Seal
9	15574	1	1.25 x 1.50 x .903 sleeve
10	15575	1	1.25 x 1.50 x 1.86 sleeve
11	15573	1	1.00 x 1.25 x 5.81 sleeve
12	15087	1	1 NC x 9.0 HHCS, GR5
13	1386	1	1 NC hex jam nut
14	34279	1	1 NC hex lock nut
15	855*	1	1/2 Std lock washer
16	4119*	1	1/2 NF x 1 HHCS, GR5
17	2370	1	1.62 x 3 x .18 washer

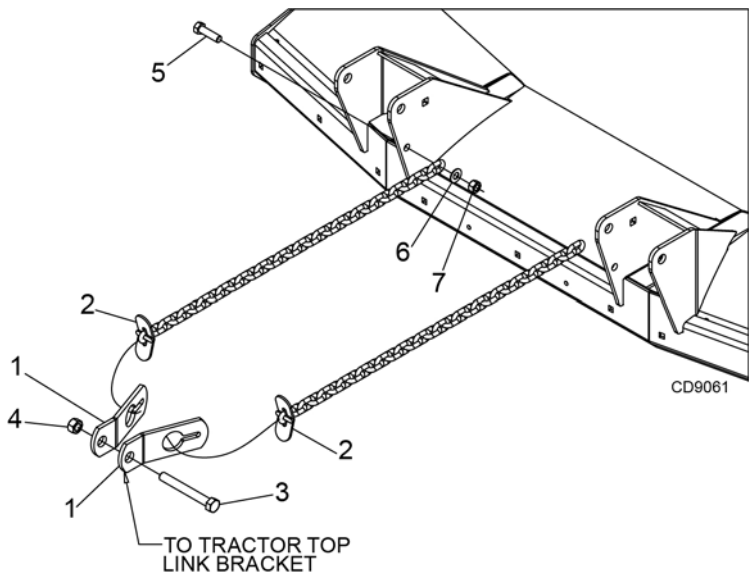
* Standard hardware, obtain locally
 HHCS Hex Head Cap Screw

FRONT & REAR CHAIN SHIELDING

QTY	PARTS	QTY	DESCRIPTION
1	610210	1	Front center chain bracket - BB60.60, BB72.60
	610346	1	Front center chain bracket - BB84.60
2	610338	1	Front right chain bracket - BB60.60
	610206	1	Front right chain bracket - BB72.60
	610342	1	Front right chain bracket - BB84.60
3	610229	1	Front left chain bracket - BB60.60
	610207	1	Front left chain bracket - BB72.60
	610343	1	Front left chain bracket - BB84.60
4	610340	1	Rear right chain bracket - BB60.60
	610208	1	Rear right chain bracket - BB72.60
	610344	1	Rear right chain bracket - BB84.60
5	610341	1	Rear left chain bracket - BB60.60
	610209	1	Rear left chain bracket - BB72.60
	610345	1	Rear left chain bracket - BB84.60
6	1003645	1	Pin, 25 to 27 chains - BB60.60, BB72.60
	1007850	1	Pin, 31 to 33 chains - BB84.60
7	1003639	2	Pin, 13 to 16 chains - BB60.60
	1003643	2	Pin, 19 to 21 chains - BB72.60, BB84.60

QTY	PARTS	QTY	DESCRIPTION
8	57138	2	Pin, rolled 28 to 30 chains - BB60.60
	57085	2	Pin, rolled 37 to 39 chains - BB72.60
	57146	2	Pin, rolled 40 to 42 chains - BB84.60
9	5498	73	5/16 chain, 6-link (qty varies per model)
10	4069	84	5/16 chain, 4-link (qty varies per model)
11	2615*	22	1/2 NC x 1-1/4 carriage bolt (qty varies per model)
12	11900*	22	1/2 NC flange lock nut (qty varies per model)

CHECK CHAIN ASSEMBLY (OPTIONAL)



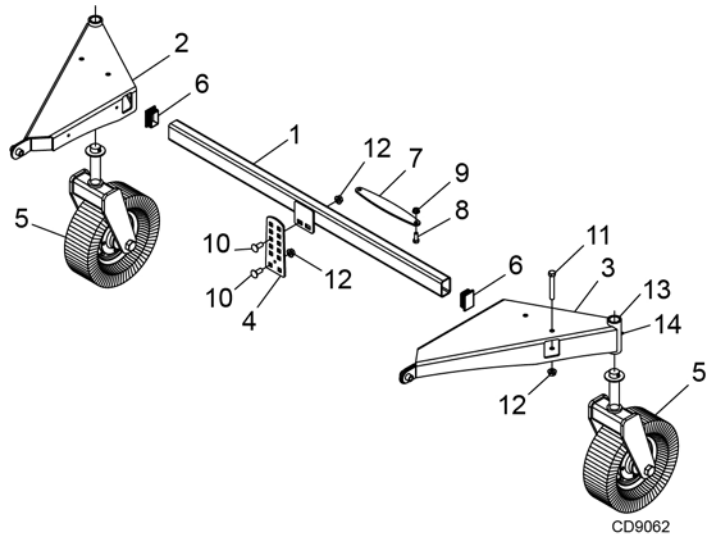
REF	PART	QTY	DESCRIPTION
	10521	1	Check chain complete
1	7906	2	Check chain bracket, lower
2	18048	2	3/8 chain, 32-link and check lug
3	2377*	1	3/4 NC x 6 HHCS GR5
4	2371*	1	3/4 NC hex lock nut
5	12274*	2	5/8 NC x 2-1/4 HHCS GR5
6	3632*	2	5/8 flat washer
7	6239*	2	5/8 NC hex lock nut

* Standard hardware, obtain locally
 HHCS Hex Head Cap Screw

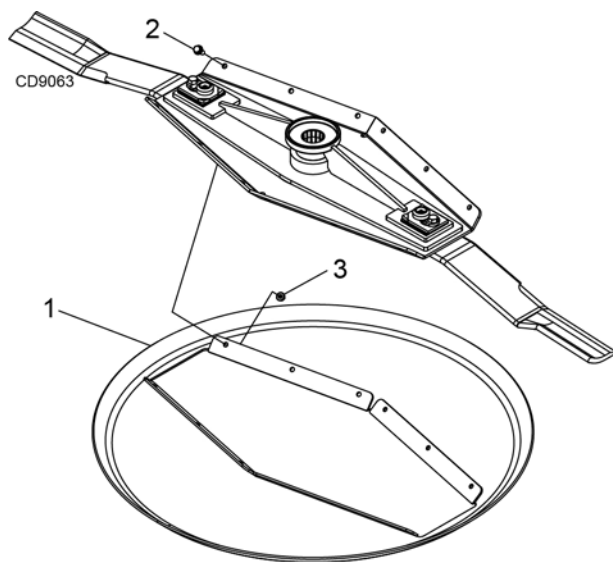
BB72.60 & BB84.60 DUAL TAILWHEEL ASSEMBLY (OPTIONAL)

REF	PART	QTY	DESCRIPTION
	610225	1	Dual tailwheel kit
1	610224RP	1	Tube weldment
2	610222RP	1	Right arm weldment
3	610223RP	1	Left arm weldment
4	610221RP	1	Height adjustment plate
5	----	2	Tailwheel assembly (see page 38)
6	1042108	2	2 x 3 black plastic plug
7	610384RP	1	Rear shield extension plate
8	6100 *	2	1/2 NC x 1-1/4 HHCS GR5
9	11900 *	2	1/2 NC flange lock nut
10	5607 *	4	5/8 NC x 1-1/2 carriage bolt
11	3097 *	4	5/8 NC x 4-1/2 HHCS GR5
12	19025 *	8	5/8 NC flange lock nut
13	W11011	4	1-1/2 x 1-5/8 x 1-1/2 bronze bushing
14	12296 *	2	1/4 - 28 straight grease fitting, 15/32 long

* Standard hardware, obtain locally
 HHCS Hex Head Cap Screw



ROUND STUMP JUMPER ASSEMBLY (OPTIONAL)



REF	PART	QTY	DESCRIPTION
1	610124	1	Round stump jumper kit - BB60.60
1	603839	1	Round stump jumper kit - BB72.60 / BB84.60
2	62153	12	3/8 NC x 1 hex flange serrated screw
3	14350*	12	3/8 Flange lock nut

* Standard hardware, obtain locally

BOLT TORQUE CHART

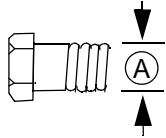
Always tighten hardware to these values unless a different torque value or tightening procedure is listed for a specific application.

Fasteners must always be replaced with the same grade as specified in the manual parts list.

Always use the proper tool for tightening hardware: SAE for SAE hardware and Metric for metric hardware.

Make sure fastener threads are clean and you start thread engagement properly.

All torque values are given to specifications used on hardware defined by SAE J1701 MAR 99 & J1701M JUL 96.



SAE SERIES TORQUE CHART



SAE Grade 2
(No Dashes)

SAE Bolt Head Identification

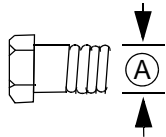


SAE Grade 5
(3 Radial Dashes)



SAE Grade 8
(6 Radial Dashes)

Ⓐ Diameter (Inches)	Wrench Size	MARKING ON HEAD					
		SAE 2		SAE 5		SAE 8	
		lbs-ft	N-m	lbs-ft	N-m	lbs-ft	N-m
1/4"	7/16"	6	8	10	13	14	18
5/16"	1/2"	12	17	19	26	27	37
3/8"	9/16"	23	31	35	47	49	67
7/16"	5/8"	36	48	55	75	78	106
1/2"	3/4"	55	75	85	115	120	163
9/16"	13/16"	78	106	121	164	171	232
5/8"	15/16"	110	149	170	230	240	325
3/4"	1-1/8"	192	261	297	403	420	569
7/8"	1-5/16"	306	416	474	642	669	907
1"	1-1/2"	467	634	722	979	1020	1383



METRIC SERIES TORQUE CHART



Metric
Grade 8.8

Metric Bolt Head Identification

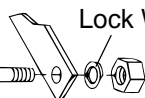


Metric
Grade 10.9

Ⓐ Diameter & Thread Pitch (Millimeters)	Wrench Size	Coarse Thread				Fine Thread				Ⓐ Diameter & Thread Pitch (Millimeters)
		Marking on Head				Marking on Head				
		Metric 8.8		Metric 10.9		Metric 8.8		Metric 10.9		
		N-m	lbs-ft	N-m	lbs-ft	N-m	lbs-ft	N-m	lbs-ft	
6 x 1.0	10 mm	8	6	11	8	8	6	11	8	6 x 1.0
8 x 1.25	13 mm	20	15	27	20	21	16	29	22	8 x 1.0
10 x 1.5	16 mm	39	29	54	40	41	30	57	42	10 x 1.25
12 x 1.75	18 mm	68	50	94	70	75	55	103	76	12 x 1.25
14 x 2.0	21 mm	109	80	151	111	118	87	163	120	14 x 1.5
16 x 2.0	24 mm	169	125	234	173	181	133	250	184	16 x 1.5
18 x 2.5	27 mm	234	172	323	239	263	194	363	268	18 x 1.5
20 x 2.5	30 mm	330	244	457	337	367	270	507	374	20 x 1.5
22 x 2.5	34 mm	451	332	623	460	495	365	684	505	22 x 1.5
24 x 3.0	36 mm	571	421	790	583	623	459	861	635	24 x 2.0
30 x 3.0	46 mm	1175	867	1626	1199	1258	928	1740	1283	30 x 2.0

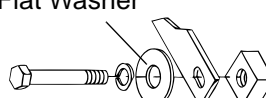
Typical Washer Installations

Bolt



Lock Washer

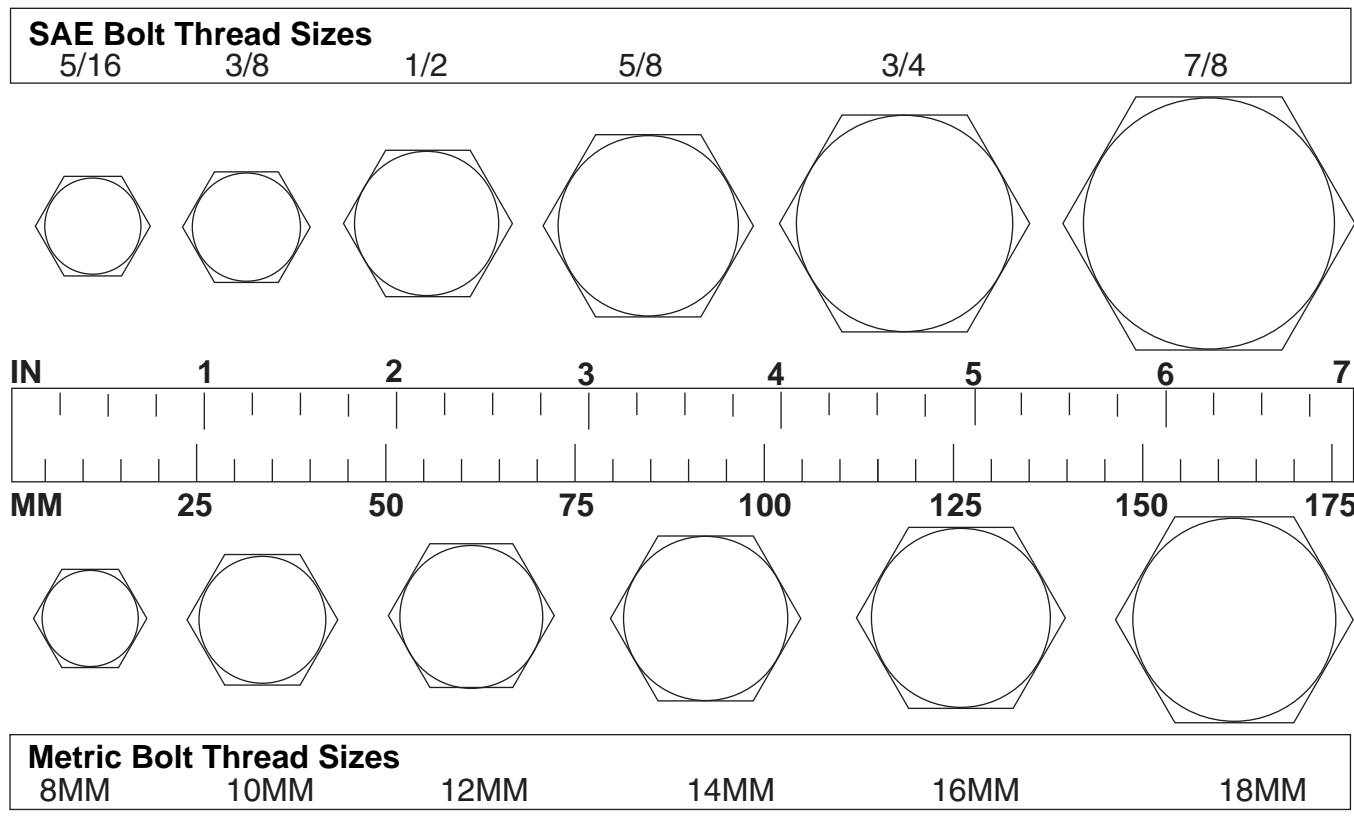
Flat Washer



8/9/00

BOLT SIZE CHART

NOTE: Chart shows bolt thread sizes and corresponding head (wrench) sizes for standard SAE and metric bolts.



ABBREVIATIONS

AG Agriculture
 ASABE American Society of Agricultural & Biological Engineers (formerly ASAE)
 ASAE.....American Society of Agricultural Engineers
 ATF.....Automatic Transmission Fluid
 BSPP.....British Standard Pipe Parallel
 BSPTM..... British Standard Pipe Tapered Male
 CV Constant Velocity
 CCW..... Counter-Clockwise
 CW Clockwise
 F Female
 FT.....Full Thread
 GA Gauge
 GR (5, etc.)..... Grade (5, etc.)
 HHCS Hex Head Cap Screw
 HT.....Heat-Treated
 JIC..... Joint Industry Council 37° Degree Flare
 LH..... Left Hand
 LT Left
 m Meter
 mm Millimeter
 M Male

MPa Mega Pascal
 N Newton
 NC..... National Coarse
 NF National Fine
 NPSM National Pipe Straight Mechanical
 NPT.....National Pipe Tapered
 NPT SWF..... National Pipe Tapered Swivel Female
 ORBM O-Ring Boss - Male
 P Pitch
 PBY.....Power-Beyond
 psi Pounds per Square Inch
 PTO.....Power Take Off
 QD Quick Disconnect
 RH..... Right Hand
 ROPS..... Roll-Over Protective Structure
 RPM.....Revolutions Per Minute
 RT Right
 SAE..... Society of Automotive Engineers
 UNC Unified Coarse
 UNF Unified Fine
 UNS Unified Special

INDEX

ASSEMBLY

- Dealer Set-up Instructions 29
- Disassemble Shipping Unit 29

DEALER CHECK LIST

- Delivery Check (Dealer's Responsibility) 32
- Pre-Delivery Check List (Dealer's Responsibility) 32

DEALER SERVICE

- Crossbar Installation 27
- Crossbar Removal 26
- Gearbox Maintenance 23
 - Horizontal Shaft Seal Replacement 24
 - Seal Installation 23
 - Seal Replacement 23
 - Vertical Seal Replacement 24
- Gearbox Repair
 - Assemble Gearbox 25
 - Disassemble Gearbox 25
 - Reinstall Gearbox 26
 - Remove Gearbox from Cutter 25
- Universal Joint Repair
 - U-Joint Assembly 28
 - U-Joint Disassembly 27
 - U-Joint Repair 27

GENERAL

- Abbreviations 42
- Bolt Size Chart 42
- Bolt Torque Chart 41
- General Information 4
- Introduction 2
- Obtaining Replacement Manuals 2
- Product Registration 2
- Specifications 4
- Table of Contents 3
- Warranty
 - Product 45
 - Replacement Parts 44

OPERATION

- Attaching Cutter to Tractor 12, 13
- Check Chain Adjustment 16

- Cutting Height Adjustment 15
- Driveline Attachment 13
 - Driveline Interference Check 15
 - Shortening Driveline 14
- Installation & Removal of Driveline (Tractor PTO) 14
- Operating Technique 17
- Pre-Operation Checklist 16
- Shredding Material 16
- Storage 17
- Tractor Stability 12
- Transportation 17

OWNER SERVICE

- Blade Servicing
 - Blade Installation 19
 - Blade Removal 19
 - Blade Sharpening 20
- Blocking Method 18
- Cleaning Cutter
 - After Each Use 21
 - Periodically or Before Extended Storage 21
- Lubrication Information
 - Driveline Lubrication 18
 - Gearbox Lubrication 18
- Shielding Repair
 - Optional Chain Shielding 21
- Slip Clutch Adjustment 20

PARTS

- Parts Index 35

SAFETY

- Blocking Method 18
- Check List
 - Delivery Check List (Dealer's Responsibility) 32
 - Pre-Delivery Check List (Dealer's Responsibility) 32
 - Pre-Operation (Owner's Responsibility) 16
- Safety & Instructional Decals 10, 11
- Safety Rules 7, 8, 9
- Safety Symbols Explained 2

TROUBLESHOOTING

- Mowing Conditions 22

WARRANTY

(Replacement Parts For All Models Except Zero-Turn Mowers)

Woods Equipment Company (“WOODS”) warrants this product to be free from defect in material and workmanship for a period of ninety (90) days from the date of delivery of the product to the original purchaser with the exception of V-belts, which will be free of defect in material and workmanship for a period of 12 months.

Under no circumstances will this Warranty apply in the event that the product, in the good faith opinion of WOODS, has been subjected to improper operation, improper maintenance, misuse, or an accident. This Warranty does not cover normal wear or tear, or normal maintenance items.

This Warranty is extended solely to the original purchaser of the product. Should the original purchaser sell or otherwise transfer this product to a third party, this Warranty does not transfer to the third party purchaser in any way. There are no third party beneficiaries of this Warranty.

WOODS’ obligation under this Warranty is limited to, at WOODS’ option, the repair or replacement, free of charge, of the product if WOODS, in its sole discretion, deems it to be defective or in noncompliance with this Warranty. **The product must be returned to WOODS with proof of purchase within thirty (30) days after such defect or noncompliance is discovered or should have been discovered, routed through the dealer and distributor from whom the purchase was made, transportation charges prepaid.** WOODS shall complete such repair or replacement within a reasonable time after WOODS receives the product. THERE ARE NO OTHER REMEDIES UNDER THIS WARRANTY. THE REMEDY OF REPAIR OR REPLACEMENT IS THE SOLE AND EXCLUSIVE REMEDY UNDER THIS WARRANTY.

THERE ARE NO WARRANTIES WHICH EXTEND BEYOND THE DESCRIPTION ON THE FACE OF THIS WARRANTY. WOODS MAKES NO OTHER WARRANTY, EXPRESS OR IMPLIED, AND WOODS SPECIFICALLY DISCLAIMS ANY IMPLIED WARRANTY OF MERCHANTABILITY AND/OR ANY IMPLIED WARRANTY OF FITNESS FOR A PARTICULAR PURPOSE.

WOODS shall not be liable for any incidental or consequential losses, damages or expenses, arising directly or indirectly from the product, whether such claim is based upon breach of contract, breach of warranty, negligence, strict liability in tort or any other legal theory. Without limiting the generality of the foregoing, Woods specifically disclaims any damages relating to (i) lost profits, business, revenues or goodwill; (ii) loss of crops; (iii) loss because of delay in harvesting; (iv) any expense or loss incurred for labor, supplies, substitute machinery or rental; or (v) any other type of damage to property or economic loss.

This Warranty is subject to any existing conditions of supply which may directly affect WOODS’ ability to obtain materials or manufacture replacement parts.

No agent, representative, dealer, distributor, service person, salesperson, or employee of any company, including without limitation, WOODS, its authorized dealers, distributors, and service centers, is authorized to alter, modify, or enlarge this Warranty.

Answers to any questions regarding warranty service and locations may be obtained by contacting:

ALITEC™
CENTRAL FABRICATORS®
GANNON®
WAIN-ROY®
WOODS®

WOODS®

WOODS® | A Blount International Brand
2606 South Illinois Route 2
Post Office Box 1000
Oregon, Illinois 61061 USA
800-319-6637 tel
800-399-6637 fax
woodsequipment.com

WARRANTY

All Models Except Zero-Turn Mowers

Please Enter Information Below and Save for Future Reference.

Date Purchased: _____ From (Dealer): _____

Model Number: _____ Serial Number: _____

Woods Equipment Company ("WOODS") warrants this product to be free from defect in material and workmanship. Except as otherwise set forth below, the duration of this Warranty shall be for TWELVE (12) MONTHS COMMENCING ON THE DATE OF DELIVERY OF THE PRODUCT TO THE ORIGINAL PURCHASER.

All current model backhoes, loaders and mounts (except 3-pt. SAF-T-LOK® mounts) are warranted for two (2) years from the date of delivery to the original purchaser. The limited warranty covers any defects in the material and/or workmanship. Following the proper, recommended installation by an authorized Woods Dealer and normal use of a Woods mounting and backhoe or loader, if a tractor incurs damage resulting from the attachment, Woods will cover the existing tractor warranty in the event the manufacturer voids its tractor warranty because of the attachment. Warranty does not cover any misuse or abusive conditions that could cause premature wear or damage to attachment or tractor.

The warranty periods for specific parts or conditions are listed below:

Part or Condition Warranted	Model Number	Duration (from date of delivery to the original purchaser)
	All units invoiced after 4/30/2012	
Gearbox components	BB48.30, BB60.30, BB72.30, BB84.40, BB60.50, BB72.50, BB60.60, BB72.60, BB84.60, BB84.50, DS8.30, DS10.40, DS8.50, DSO8.50, DS10.50, DSO10.50, DBH5.31, DBH6.31	6 years
	BW12, BW10.50, BW10.50Q, BW15.50, BW15.50Q, BW10.60, BW10.60Q, BW13.70, BW13.70Q, BW13.70QREV, BW15.60, BW15.60Q, BW10.70, BW10.70Q, BW15.70, BW15.70Q, BW20.50, BW20.50Q, BW20.60, BW20.60Q, BW20.70, BW20.70Q	
	BW240X, BW240XHD, BW1620X, BW2400X	
	RD990X, PRD6000, PRD7200, PRD8400, S15CD, S20CD, S22CD, S25CD, S27CD, S30CD, TC/R74, TC/R68, TC/R60, TBW144, TBW180, TBW204, TSG50, S12ED, S15ED, S18ED, S20ED, TPD25, TPD35, TPD65, TPD95	
	RDC54, RD60, RD72, TBW150C, TS/R60, TS/R52, TS/R44, RC3.5, RC4, RC5, RC6	3 years (1 year if used in rental or commercial applications)
Blade spindles	RD990X, PRD6000, PRD7200, PRD8400, TBW144, TBW180, TBW204	3 years

Under no circumstances will this Warranty apply in the event that the product, in the good faith opinion of WOODS, has been subjected to improper operation, improper maintenance, misuse, or an accident. This Warranty does not apply in the event that the product has been materially modified or repaired by someone other than WOODS, a WOODS authorized dealer or distributor, and/or a WOODS authorized service center. This Warranty does not cover normal wear or tear, or normal maintenance items. This Warranty also does not cover repairs made with parts other than those obtainable through WOODS.

This Warranty is extended solely to the original purchaser of the product. Should the original purchaser sell or otherwise transfer this product to a third party, this Warranty does not transfer to the third party purchaser in any way. There are no third party beneficiaries of this Warranty.

WOODS makes no warranty, express or implied, with respect to engines, batteries, tires or other parts or accessories not manufactured by WOODS. Warranties for these items, if any, are provided separately by their respective manufacturers.

WOODS' obligation under this Warranty is limited to, at WOODS' option, the repair or replacement, free of charge, of the product if WOODS, in its sole discretion, deems it to be defective or in noncompliance with this Warranty. **The product must be returned to WOODS with proof of purchase within thirty (30) days after such defect or noncompliance is discovered or should have been discovered, routed through the dealer and distributor from whom the purchase was made, transportation charges prepaid.** WOODS shall complete such repair or replacement within a reasonable time after WOODS receives the product. **THERE ARE NO OTHER REMEDIES UNDER THIS WARRANTY. THE REMEDY OF REPAIR OR REPLACEMENT IS THE SOLE AND EXCLUSIVE REMEDY UNDER THIS WARRANTY.**

THERE ARE NO WARRANTIES WHICH EXTEND BEYOND THE DESCRIPTION ON THE FACE OF THIS WARRANTY. WOODS MAKES NO OTHER WARRANTY, EXPRESS OR IMPLIED, AND WOODS SPECIFICALLY DISCLAIMS ANY IMPLIED WARRANTY OF MERCHANTABILITY AND/OR ANY IMPLIED WARRANTY OF FITNESS FOR A PARTICULAR PURPOSE.

WOODS shall not be liable for any incidental or consequential losses, damages or expenses, arising directly or indirectly from the product, whether such claim is based upon breach of contract, breach of warranty, negligence, strict liability in tort or any other legal theory. Without limiting the generality of the foregoing, Woods specifically disclaims any damages relating to (i) lost profits, business, revenues or goodwill; (ii) loss of crops; (iii) loss because of delay in harvesting; (iv) any expense or loss incurred for labor, supplies, substitute machinery or rental; or (v) any other type of damage to property or economic loss.

This Warranty is subject to any existing conditions of supply which may directly affect WOODS' ability to obtain materials or manufacture replacement parts.

No agent, representative, dealer, distributor, serviceperson, salesperson, or employee of any company, including without limitation, WOODS, its authorized dealers, distributors, and service centers, is authorized to alter, modify, or enlarge this Warranty. Answers to any questions regarding warranty service and locations may be obtained by contacting:

WOODS® | A Blount International Brand

2606 South Illinois Route 2
Post Office Box 1000
Oregon, Illinois 61061 USA

800-319-6637 tel
800-399-6637 fax
woodsequipment.com



ALITEC™
CENTRAL FABRICATORS®
GANNON®
WAIN-ROY®
WOODS®

PART NO.
MAN1295

WOODS® | A Blount International Brand

2606 South Illinois Route 2
Post Office Box 1000
Oregon, Illinois 61061 USA

800-319-6637 tel
800-399-6637 fax
woodsequipment.com

WOODS®

© 2019 Woods Equipment Company. All rights reserved. Woods® and the Woods logo are trademarks of Woods Equipment Company. All other trademarks, trade names, or service marks not owned by Woods Equipment Company that appear in this manual are the property of their respective companies or mark holders. Specifications subject to change without notice.