

# RS 6-42 GEN· 3

# RS

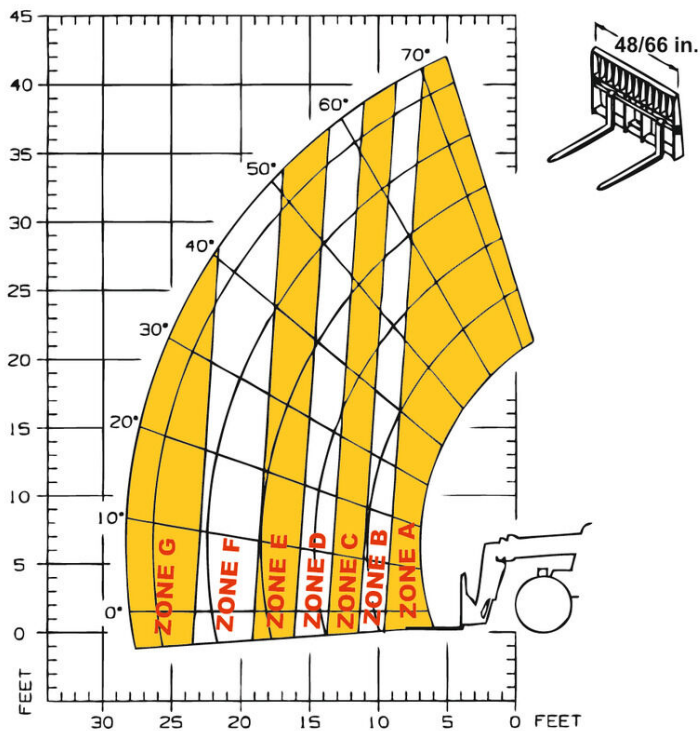


# GEHL®

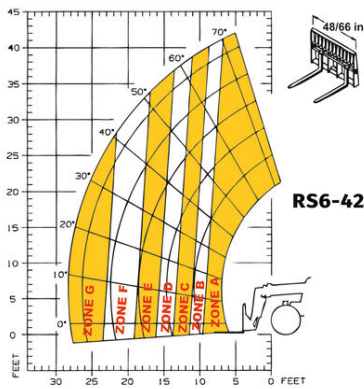
| Capacities                            |     | Metric                           | Imperial                         |
|---------------------------------------|-----|----------------------------------|----------------------------------|
| Max. capacity                         |     | 2994 kg                          | 6601 lb                          |
| Max. lifting height                   |     | 12.80 m                          | 42 ft                            |
| Max. outreach                         |     | 8.61 m                           | 28 ft 3 in                       |
| Weight and dimensions                 |     |                                  |                                  |
| Overall length to carriage            | l11 | 5.81 m                           | 19 ft 1 in                       |
| Overall width                         | b1  | 2.50 m                           | 8 ft 2 in                        |
| Overall height                        | h17 | 2.39 m                           | 7 ft 10 in                       |
| Wheelbase                             | y   | 3.03 m                           | 9 ft 11 in                       |
| Ground clearance                      | m4  | 406.40 mm                        | 16 in                            |
| Overall cab width                     | b4  | 838 mm                           | 33 in                            |
| Tilt-up angle                         | a4  | 12 °                             | 12 °                             |
| Tilt-down angle                       | a5  | 112 °                            | 112 °                            |
| External turning radius               | Wa3 | 4.17 m                           | 13 ft 8 in                       |
| Unladen weight (with forks)           |     | 9979 kg                          | 22000 lb                         |
| Standard tyres                        |     | 13 x 24                          | 13 x 24                          |
| Frame levelling longitudinal +/-      |     | 10 °                             | 10 °                             |
| Performances                          |     |                                  |                                  |
| Lifting                               |     | 11 s                             | 11 s                             |
| Lowering                              |     | 8 s                              | 8 s                              |
| Extension                             |     | 14 s                             | 14 s                             |
| Retraction                            |     | 12 s                             | 12 s                             |
| Crowd                                 |     | 7 s                              | 7 s                              |
| Dump                                  |     | 4 s                              | 4 s                              |
| Engine                                |     |                                  |                                  |
| Engine brand                          |     | Cummins                          | Cummins                          |
| Engine norm                           |     | Tier 4 final                     | Tier 4 final                     |
| Engine model                          |     | QSF 3.8                          | QSF 3.8                          |
| I.C. Engine power rating - Power (kW) |     | 120 Hp / 89 kW                   | 120 Hp / 89 kW                   |
| Max. torque / Engine rotation         |     | 488 Nm @ 2500 rpm                | 488 Nm @ 2500 rpm                |
| Transmission                          |     |                                  |                                  |
| Transmission type                     |     | Torque Converter with powershift | Torque Converter with powershift |
| Number of gears (forward / reverse)   |     | 3 / 3                            | 3 / 3                            |
| Max. travel speed                     |     | 31.50 km/h                       | 20 mi/h                          |
| Parking brake                         |     | SAHR                             | SAHR                             |
| Service brake                         |     | Wet disc brakes                  | Wet disc brakes                  |
| Axle Manufacturer                     |     | Dana                             | Dana                             |
| Hydraulics                            |     |                                  |                                  |
| Hydraulic pump type                   |     | Gear pump                        | Gear pump                        |
| Hydraulic flow / Pressure             |     | 157.10 l/min / 207 Bar           | 157.10 l/min / 3002 PSI          |
| Tank capacities                       |     |                                  |                                  |
| Engine oil                            |     | 14.70 l                          | 4 US gal                         |
| Hydraulic oil                         |     | 170 l                            | 45 US gal                        |
| Fuel tank                             |     | 177.91 l                         | 47 US gal                        |
| DEF tank capacity                     |     | 19 l                             | 5 US gal                         |
| Miscellaneous                         |     |                                  |                                  |
| Steering wheels (front / rear)        |     | 2 / 2                            | 2 / 2                            |
| Drive wheels (front / rear)           |     | 2 / 2                            | 2 / 2                            |
| Safety cab homologation               |     | ROPS/FOPS                        | ROPS/FOPS                        |
| Controls                              |     | Single joystick FNR              | Single joystick FNR              |

# RS 6-42 Gen: 3 - Load chart

## Load Chart imperial

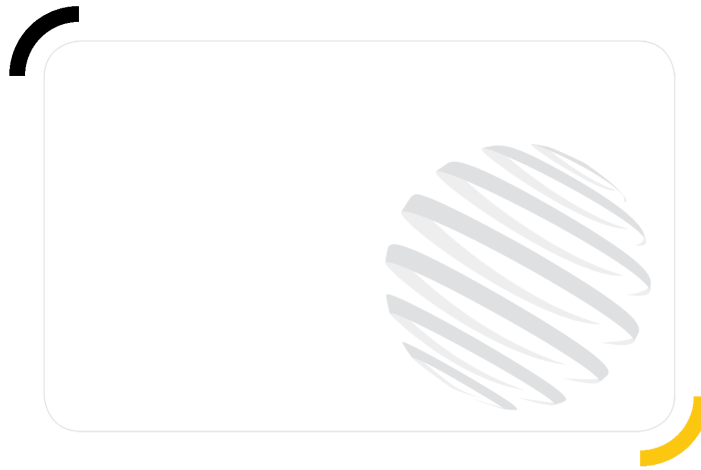


## Load Chart Other Imperial



**RS6-42**

- ▲ 6,600/6,600 lbs. (2994/2994 kg)
  - A** 6,000/6,000 lbs. (2722/2994 kg)
  - B** 5,000/6,000 lbs. (2268/2722 kg)
  - C** 4,000/4,000 lbs. (1814/1814 kg)
  - D** 3,000/4,000 lbs. (1361/1814 kg)
  - E** 2,000/4,000 lbs. (907/1814 kg)
  - F** 1,000/3,000 lbs. (454/1361 kg)
  - G**
- outriggers up / optional outriggers down



# GEHL®

Siège Social  
P.O. Box 179 - One Gehl Way - West Bend, WI, USA 53095  
Tel: (262) 334-9461 - Fax: (262) 338-7517  
[www.gehl.com](http://www.gehl.com)



This brochure describes versions and configuration options for Gehl products which may be fitted with different equipment. The equipment described in this brochure may be standard, optional or not available depending on version. Gehl reserves the right to change the specifications shown and described at any time and without prior warning. The manufacturer is not liable for the specifications given. For more information, contact your Gehl dealer. Non-contractual document. Product descriptions may differ from actual products. List of specifications is not comprehensive. The logos and visual identity of the company are the property of Gehl and may not be used without authorization. All rights reserved. The photos and diagrams contained in this brochure are provided for information only.

MANITOU EQUIPMENT AMERICAS, LLC - Limited company with board of directors - Share capital: 39,668,399 euros - 857 802 508 RCS West Bend