

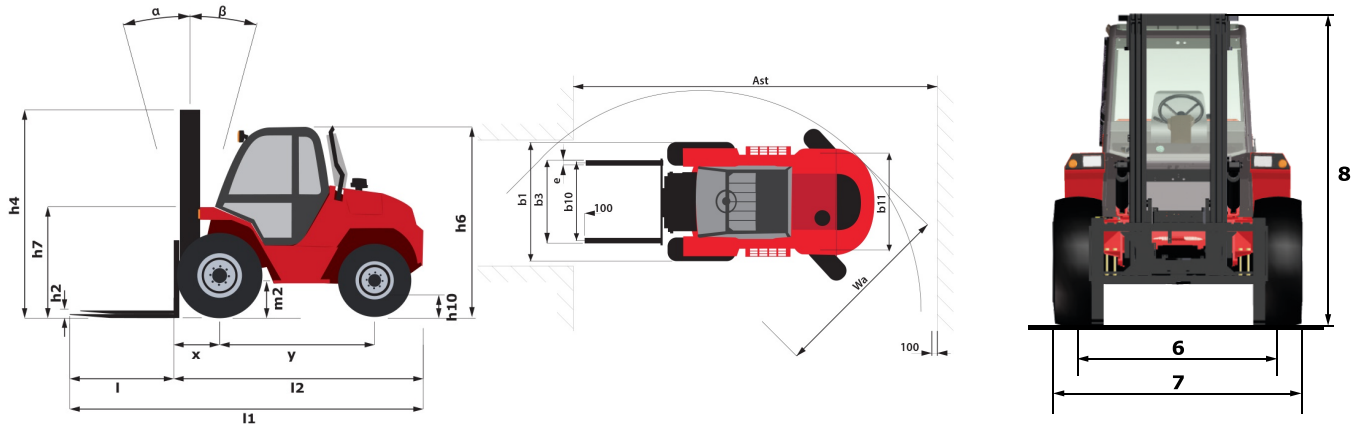
Technical sheet :

M 50-4



	Technical characteristics		Metric
1.1	Manufacturer		Manitou
1.2	Model Name		M 50-4
1.3	Power source		Diesel
1.4	Operator type		Seated
1.5	Max. capacity	Q	5000 kg
1.6	Load centre of gravity	c	600 mm
1.8	Load distance, centre of drive axle to fork	x	773 mm
1.9	Wheelbase	y	2120 mm
	Weight		
2.1	Service weight		8325 kg
2.2	Weight on front axle (laden) / rear axle (laden)		11520 kg / 1805 kg
2.3	Weight on front axle (Unladen) / rear axle (Unladen)		3285 kg / 5040 kg
	Wheels		
3.1	Tyres type		Pneumatic
3.2	Dimensions of front wheels		18-22,5 MPT06
3.3	Dimensions of rear wheels		340/80 R18 XMCL
3.5	Number of front wheels / rear wheels		2 / 2
3.5.2	Number of drive wheels		4
3.6	Front wheel gauge	b10	1620 mm
3.7	Rear wheel gauge	b11	1740 mm
	Dimensions		
4.1	Tilt of Mast Forward (deg) / Backward (deg)	α / β	15 / 15
4.7	Height of overhead guard (cabin)	h6	1500 mm
4.8	Seat height/stand height	h7	1400 mm
4.12	Height of towing bar (coupling height)	h10	760 mm
4.19	Overall length	l1	4948 m
4.20	Length to face of forks	l2	3748 mm
4.21	Overall width	b1	2080 mm
4.21	Overall width - Single wheels	b1	2057 mm
4.22	Forks section / width / length	s / e / l	60 mm x 150 mm / 1200 mm
4.24	Fork carriage width	b3	1670 mm
4.31	Ground clearance below mast	m1	295 mm
4.32	Ground clearance at centre of wheelbase	m2	380 mm
4.33	Aisle Width for pallets 1000 x 1200 crossways	Ast	6812 mm
4.34	Aisle width for 800 x 1200 pallet lengthways	Ast	6812 mm
4.36	Internal turning radius (over tyres)	b13	1650 mm
4.35	Turning radius	Wa	4640 mm
	Performances		
5.1	Travel speed (laden / unladen)		10 km/h / 24 km/h
5.2	Lifting speed (laden / unladen)		0.40 m/s / 0.40 m/s
5.3	Lowering speed (laden / unladen)		0.40 m/s / 0.30 m/s
5.5	Drawbar pull (Laden)		1020 daN
5.10	Service brake		Hydraulic
	Engine		
7.1	Engine brand / model		Perkins / 854F-E34T WF
7.2	Engine power according to ISO 1585		55 kW
7.3	Rated speed		2200 rpm
7.4	Number of cylinders		4
7.5	Fuel consumption according to VDI cycle		6.90 l/h
	Miscellaneous		
8.2	Working hydraulic pressure for attachments		230 Bar
8.3	Oil flow rate for attachments		97 l/min
8.4	Measured/guaranteed mean noise level at the ear of the operator		< 76 dB(A)

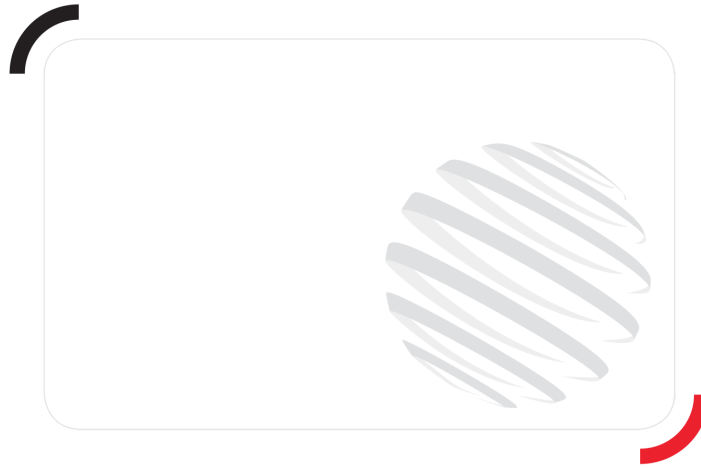
Dimensional drawing



Characteristics of masts and residual capacities

Full Visibility Duplex		FVD 30	FVD 33	FVD 35	FVD 37	FVD 40	FVD 45	FVD 50
h2 - Free lift	mm	0	0	0	0	0	0	0
h1 - Height mast lowered *	mm	2560	2710	2810	2910	3060	3305	3560
h3 - Lifting Height	mm	3000	3300	3500	3700	4000	4500	5000
h4 - Height mast extended *	mm	4115	4415	4615	4815	5115	5615	6115
α / β - Mast inclination (front / rear)	°	15 / 15	15 / 15	15 / 15	15 / 15	15 / 15	15 / 15	15 / 15
Residual capacity at max height	kg	5000	5000	5000	5000	5000	5000	4000
Residual capacity without attachment (Industrial load chart)	kg	5000	5000	5000	5000	5000	5000	4000
Residual capacity with integrated side shift (Industrial load chart)	kg	4700	4700	4700	4700	4700	4700	3600

Free Lift Triplex		FLT 37	FLT 40	FLT 43	FLT 45	FLT 47	FLT 50	FLT 55	FLT 60
h2 - Free lift	mm	1265	1365	1465	1540	1600	1715	1865	2040
h1 - Height mast lowered *	mm	2310	2410	2510	2585	2645	2760	2910	3085
h3 - Lifting Height	mm	3700	4000	4300	4500	4700	5000	5500	6000
h4 - Height mast extended *	mm	4805	5105	5405	5605	5806	6105	6605	7105
α / β - Mast inclination (front / rear)	°	15 / 15	15 / 15	15 / 15	15 / 15	15 / 15	15 / 15	15 / 15	15 / 15
Residual capacity at max height	kg	5000	5000	4700	4600	4300	4450	4600	4450
Residual capacity without attachment (Industrial load chart)	kg	5000	5000	4700	4600	4300	4450	4600	4450
Residual capacity with integrated side shift (Industrial load chart)	kg	4500	4500	4000	3600	3500	2000	1800	900



Siège Social

430 rue de l'Aubinière - 44150 Ancenis Cedex - France

Tel: +33(0)2 40 09 10 11 - Fax: +33 (0)2 40 09 10 97

www.manitou.com



This brochure describes versions and configuration options for Manitou products which may be fitted with different equipment. The equipment described in this brochure may be standard, optional or not available depending on version. Manitou reserves the right to change the specifications shown and described at any time and without prior warning. The manufacturer is not liable for the specifications given. For more information, contact your Manitou dealer. Non-contractual document. Product descriptions may differ from actual products. List of specifications is not comprehensive. The logos and visual identity of the company are the property of Manitou and may not be used without authorisation. All rights reserved. The photos and diagrams contained in this brochure are provided for information only.

MANITOU BF SA - Limited company with board of directors - Share capital: 39,668,399 euros - 857 802 508 RCS Nantes