

Technical sheet :

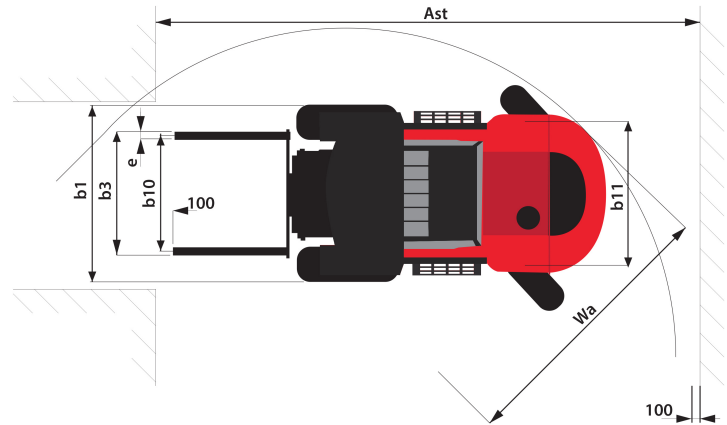
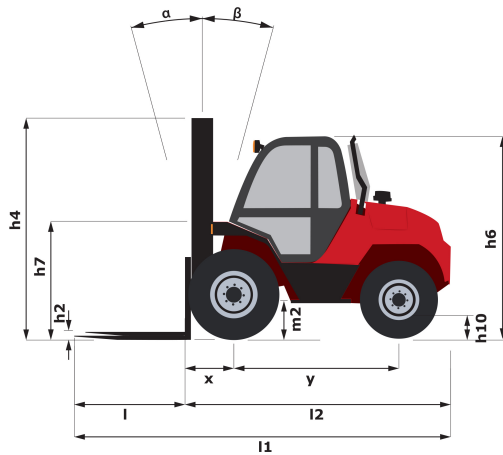
# **M 30-2 ST5**

---



Technical characteristics			Metric
1.1	Manufacturer		MANITOU
1.2	Model Name		M 30-2 ST5
1.3	Power source		Diesel
1.4	Operator type		Seated
1.5	Max. capacity	Q	3000 kg
1.6	Load centre of gravity	c	500 mm
1.8	Load distance, centre of drive axle to fork	x	747 mm
1.9	Wheelbase	y	1995 mm
Weight			
2.1	Service weight		5895 kg
2.2	Weight on front axle (laden) / rear axle (laden)		7490 kg / 1405 kg
2.3	Weight on front axle (Unladen) / rear axle (Unladen)		2155 kg / 3740 kg
Wheels			
3.1	Tyres type		Pneumatic
3.2	Dimensions of front wheels		14,5R20 18PR MPT80
3.3	Dimensions of rear wheels		10R17,5 G291 GY
3.5	Number of front wheels / rear wheels		2 / 2
3.5.2	Number of drive wheels		2
3.6	Front wheel gauge	b10	1550 mm
3.7	Rear wheel gauge	b11	1644 mm
Dimensions			
4.1	Tilt of Mast Forward (deg) / Backward (deg)	$\alpha / \beta$	6 / 12
4.7	Height of overhead guard (cabin)	h6	2450 mm
4.8	Seat height/stand height	h7	1420 mm
4.19	Overall length	l1	4701 mm
4.20	Length to face of forks	l2	3501 mm
4.21	Overall width	b1	1923 mm
4.22	Forks section x width x length	s / e / l	40 mm x 125 mm / 1200 mm
4.23	Fork carriage ISO 2328 (class/form) A/B		FEM 3A
4.24	Fork carriage width	b3	1470 mm
4.31	Ground clearance below mast	m1	406 mm
4.32	Ground clearance at centre of wheelbase	m2	390 mm
4.33	Aisle width for 1000 x 1200 pallet widthways	Ast	5360 mm
4.34	Aisle width for 800 x 1200 pallet lengthways	Ast	5360 mm
4.35	Turning radius	Wa	3220 mm
Performances			
5.1	Travel speed (laden / unladen)		22 km/h / 22 km/h
5.2	Lifting speed (laden / unladen)		0.60 m/s / 0.60 m/s
5.3	Lowering speed (laden / unladen)		0.40 m/s / 0.40 m/s
5.5	Drawbar pull (Laden)		5600 daN
5.7	Gradeability (laden)		62 %
5.10	Service brake		Hydraulic
Engine			
7.1	Engine brand / model		Deutz / TCD 2,9
7.2	Engine power according to ISO 1585		55 kW
7.3	Rated speed		2300 rpm
7.4	Number of cylinders / Capacity of cylinders		4 - 2925 cm <sup>3</sup>
7.5	Fuel consumption according to VDI cycle		5.10 l/h
Miscellaneous			
8.1	Type of drive control		Electric
8.2	Working hydraulic pressure for attachments		185 Bar
8.3	Oil flow rate for attachments		97 l/min
8.4	Sound level at the driver's ear according to DIN 12 053		78 dB(A)

## Dimensional drawing



## Characteristics of masts and residual capacities

Full Visibility Duplex		FVD 37	FVD 45
h1 - Height mast lowered *	mm	2696	3136
h4 - Height mast extended *	mm	4626	5426
h3 - Max. lifting height	mm	3700	4500
$\alpha / \beta$ - Mast inclination (front / rear)	°	6 / 12	6 / 12

Free Lift Triplex		FLT 43	FLT 50	FLT 65
h2 - Free lift	mm	1580	1840	2530
h1 - Height mast lowered *	mm	2436	2696	3386
h4 - Height mast extended *	mm	5234	5934	7434
h3 - Max. lifting height	mm	4300	5000	6500
$\alpha / \beta$ - Mast inclination (front / rear)	°	6 / 12	6 / 12	6 / 12

Full Visibility Triplex		FVT 55	FVT 70
h1 - Height mast lowered *	mm	2966	3636
h4 - Height mast extended *	mm	6564	8234
h3 - Max. lifting height	mm	5500	7000
$\alpha / \beta$ - Mast inclination (front / rear)	°	6 / 10	6 / 10



Siège Social

430 rue de l'Aubinière - 44150 Ancenis Cedex - France

Tel: +33(0)2 40 09 10 11 - Fax: +33 (0)2 40 09 10 97

[www.manitou.com](http://www.manitou.com)



This brochure describes versions and configuration options for Manitou products which may be fitted with different equipment. The equipment described in this brochure may be standard, optional or not available depending on version. Manitou reserves the right to change the specifications shown and described at any time and without prior warning. The manufacturer is not liable for the specifications given. For more information, contact your Manitou dealer. Non-contractual document. Product descriptions may differ from actual products. List of specifications is not comprehensive. The logos and visual identity of the company are the property of Manitou and may not be used without authorisation. All rights reserved. The photos and diagrams contained in this brochure are provided for information only.

MANITOU BF SA - Limited company with board of directors - Share capital: 39,668,399 euros - 857 802 508 RCS Nantes