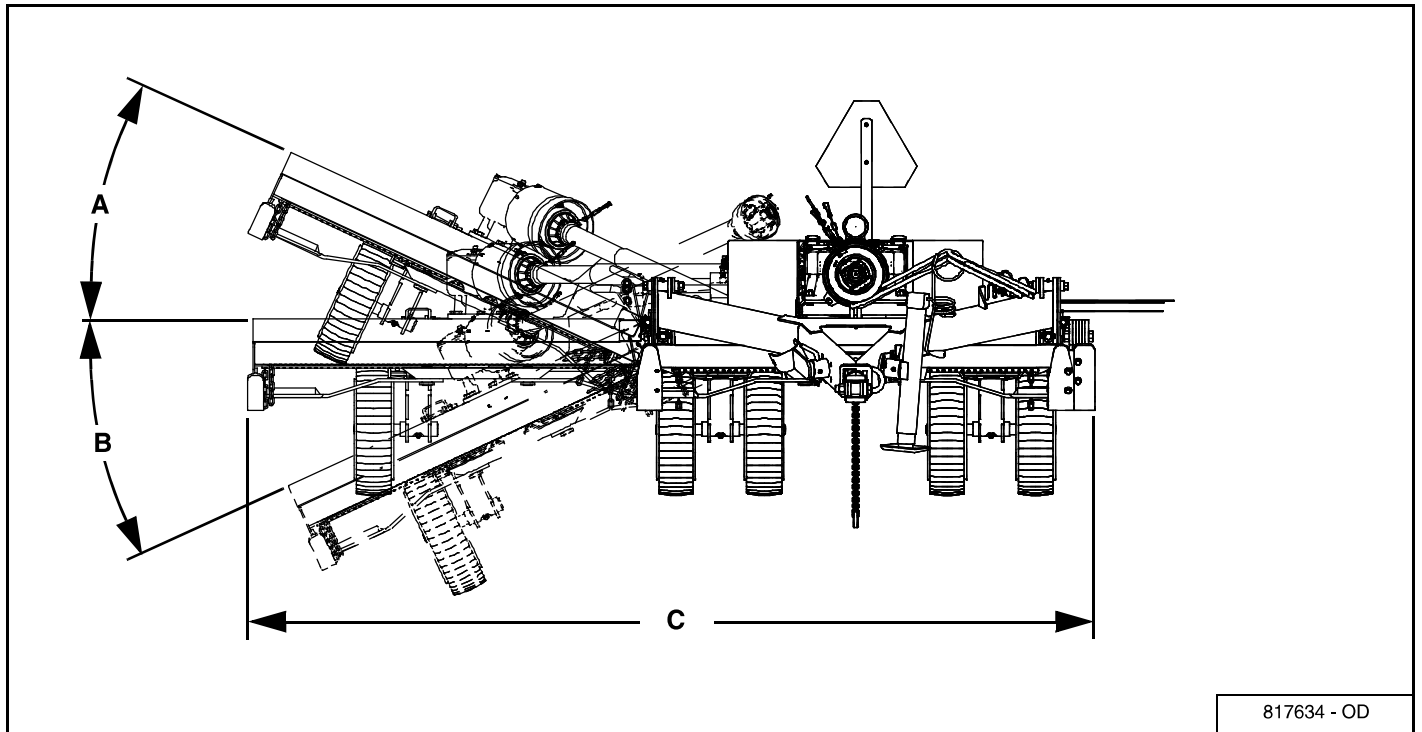


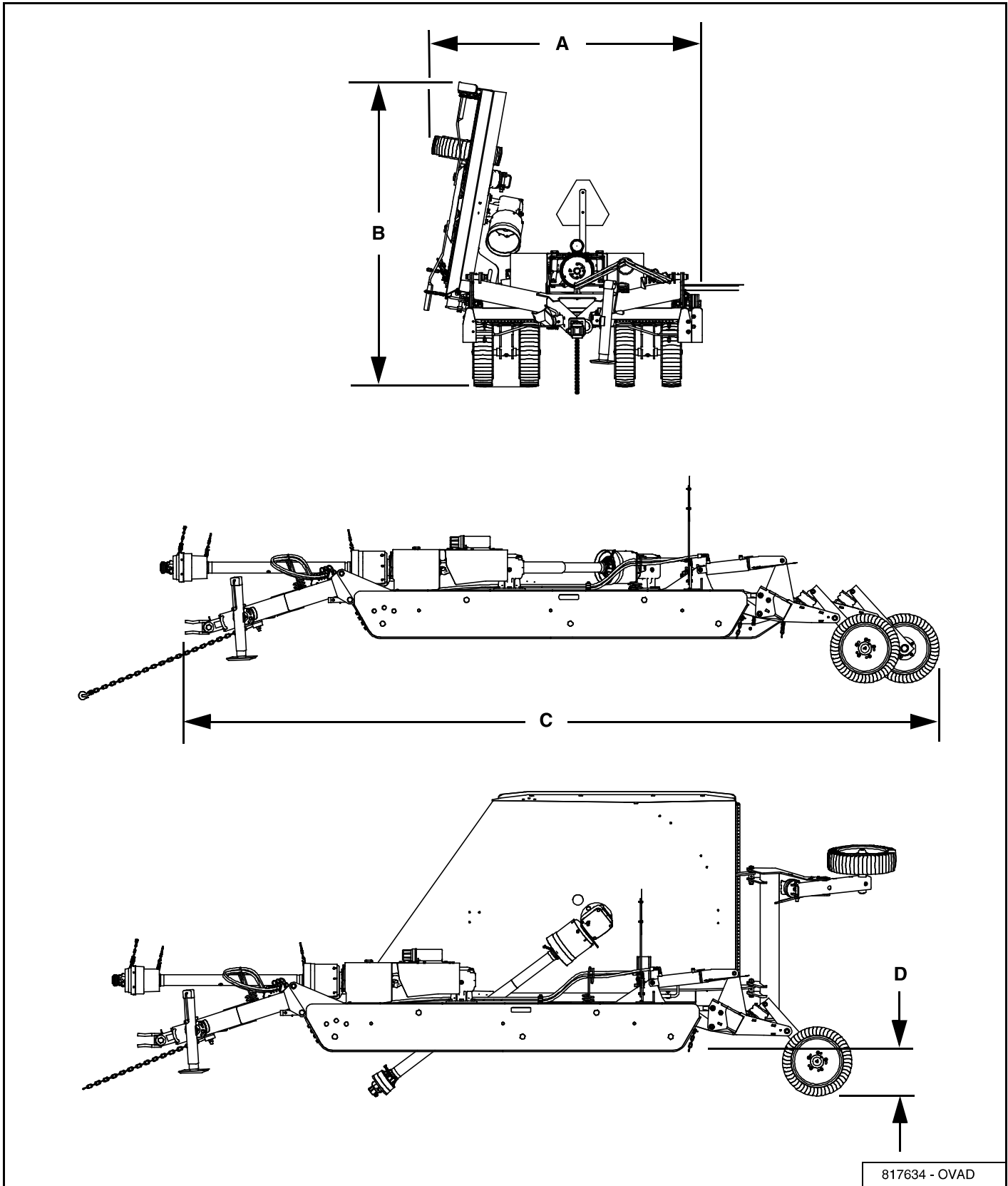
1030 SPECIFICATIONS

Operating Dimensions



DESCRIPTION	1030
Working Range (A) & (B)	± 25°
Width (C) - Working / Overall	135 in (3.4 m)

Overall Dimensions



Overall Dimensions

DESCRIPTION	1030
Transport Width (A)	82 in (2.1 m)
Transport Height (B)	93 in (2.4 m)
Overall Length (C)	230 in. (5842 mm)
Transport Deck Height (D)	13.5 in. (343 mm)

Performance

DESCRIPTION	1030	
	540 RPM	1000 RPM
Cutting Height	2 - 15 in. (51 - 381 mm)	
Weight	5200 lb. (2359 kg)	
Tongue Weight	2100 lb. (953 kg)	
Tractor HP Requirement (Minimum)	65 hp	
Wing Blade Tip Speed	16,481 ft/min (5023 m/min)	16,737 ft/min (5101 m/min)
Center Blade Tip Speed	16,197 ft/min (4937 m/min)	15,802 ft/min (4816 m/min)
Blade Overlap	7 in (177 mm)	
Blade	0.5 x 4, Uplift	
Stump Jumper	Symmetric die pressed (7 Ga.)	
Side Skid	Reversible & Replaceable	
Suspension	Independent Rubber-Isolated Wheel Assemblies	
Hitch	Double Swivel Clevis Hitch	
Tires	(6 in or 8 in.): 24 x 7.7 x 10 Aircraft Tires (Air Filled)	
	21 in. Laminated Wheels (Solid Rubber)	