

Technical sheet :

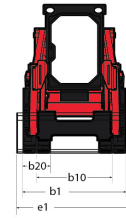
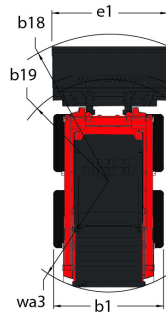
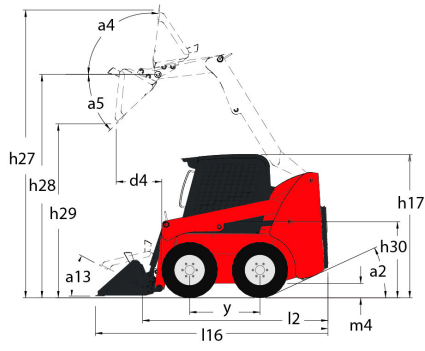
# **1500 R NXT2**

---



Capacities		Metric
Rated Operating Capacity		680 kg
Rated Operating Capacity with Optional Counterweight		748 kg
Unladen weight		2774 kg
Weight and dimensions		
Overall Operating Height - Fully Raised	h27	3876 mm
Height to Hinge Pin - Fully Raised	h28	3018 mm
Overall Height to Top of ROPS	h17	1956 mm
Dump angle at full height	a5	38 °
Dump height	h29	2380 mm
Overall length with bucket	l16	3101 mm
Dump reach at full height		579 mm
Rollback at ground		28 °
Seat to ground height	h30	904 mm
Wheelbase	y	986 mm
Overall width less bucket	b1	1562 mm
Bucket Width	e1	1562 mm
Ground clearance	m4	160 mm
Overall length - Less Bucket	l2	1580 mm
Departure angle	a2	25 °
Clearance Radius - Front with Bucket		1869 mm
Clearance Circle - Front without Bucket	b19	1153 mm
Clearance Circle - Rear	wa1	1466 mm
Performances		
Travel speed (unladen)		11.90 km/h
Wheels		
Standard tyres		10.00x16.5 HD
Engine		
Engine brand		Yanmar
Engine model		4TNV88C-KMS
Gross Power (kW)		34.30 kW
Max. torque / Engine rotation		146.20 Nm / 2800 rpm
Battery		12 V
Alternator		100 kW
Starter (kW)		2.30 kW
Hydraulics		
Standard flow - Auxiliary hydraulics		63.60 l/min
Auxiliary Hydraulic Pressure		207 Bar
Tank capacities		
Fuel tank		62.50 l
Reservoir Capacity Hydraulics		39 l
Displacement		2.20 l
Coolant system capacity		7.90 l
Noise and vibration		
Environmental noise (LwA)		82 dB(A)
Noise at driving position (LpA)		100 dB(A)
Vibration to whole hand/arm		< 1.90 m/s <sup>2</sup>

# Dimensional drawing





Siège Social

430 rue de l'Aubinière - 44150 Ancenis Cedex - France

Tel: +33(0)2 40 09 10 11 - Fax: +33 (0)2 40 09 10 97

[www.manitou.com](http://www.manitou.com)



This brochure describes versions and configuration options for Manitou products which may be fitted with different equipment. The equipment described in this brochure may be standard, optional or not available depending on version. Manitou reserves the right to change the specifications shown and described at any time and without prior warning. The manufacturer is not liable for the specifications given. For more information, contact your Manitou dealer. Non-contractual document. Product descriptions may differ from actual products. List of specifications is not comprehensive. The logos and visual identity of the company are the property of Manitou and may not be used without authorisation. All rights reserved. The photos and diagrams contained in this brochure are provided for information only.

MANITOU BF SA - Limited company with board of directors - Share capital: 39,668,399 euros - 857 802 508 RCS Nantes