

COMPACT EXCAVATORS

E17C | E26C | E30C | E33C | E37C | E57C | E60C



The right tool for the job.

New Holland offers you a broad selection of compact excavators with seven models from 1.7 to 6.0 metric tons. With canopy and cab models, short radius (SR), zero tail swing (ZTS) and conventional versions to choose from, there is the right model ideally suited to landscaping, municipal, agriculture, horticulture, nurseries, vineyards, estate management and general contracting. Varied applications include track, irrigation and drainage system construction and maintenance, to fence installation and utility work.

With hydraulically powered attachments like soil augers, hammers and compactors, the boom and dipper offer power arm versatility with the strength of a large excavator. In addition, the available Object Handling Kit allows you to raise heavy, suspended loads using a lifting hook on the bucket linkage. You get all this versatility in one machine.

Small in size. Big on performance. Huge in versatility.

Compact dimensions enable New Holland C Series excavators to access difficult work areas. And, every model is built for high performance. Designed for day-long working, each model has class-leading excavation performance with the versatility to power a wide range of attachments



MODELS	DESIGN		GROSS POWER (HP)	OPERATING WEIGHT* lbs. (kg)		DESIGN	REAR OVERHANG ft. in. (mm)	BLADE WIDTH ft. in. (mm)	MAX DIGGING DEPTH ft. in. (mm)		MAX DUMP HEIGHT ft. in. (mm)	
	Cab	Canopy		Cab	Canopy				Standard Arm	Long Arm	Standard Arm	Long Arm
E17C	-	●	16.8	-	3910 (1775)	ZTS	0	3' 3" - 4' 3" (990 - 1300)	7' 3" (2200)	7' 9" (2350)	8' 5" (2570)	8' 10" (2670)
E26C	○	○	24.8	5850 (2655)	5520 (2505)	ZTS	0	5' 0" (1500)	7' 11" (2420)	8' 8" (2645)	9' 7" (2930)	9' 11" (3030)
E30C	○	○	24.8	6922 (3140)†	6592 (2990)†	SR	5" (127)	5' 1" (1550)	8' 2" (2500)	-	9' 7" (2930)	-
E33C	-	●	24.4	-	7682 (3485)†	SR	4" (102)	5' 1" (1550)	9' 11" (3035)	-	10' 9" (3275)	-
E37C	○	○	24.4	8300 (3765)	7990 (3625)	ZTS	0	5' 9" (1740)	10' 3" (3135)	11' 3" (3440)	11' 3" (3425)	11' 10" (3615)
E57C	●	-	66.9	12,050 (5465)	-	Conventional	2' 3" (690)	6' 4" (1920)	12' 6" (3820)	13' 4" (4060)	13' 3" (4050)	13' 9" (4180)
E60C	●	-	64.7	12,940 (5870)	-	SR	3" (80)	6' 7" (2010)	11' 9" (3570)	13' 1" (3990)	12' 11" (3930)	13' 5" (4100)

● Standard ○ Optional - Not available *Weight with full fuel tank, operator & bucket †Weight with standard additional counterweight

TABLE OF CONTENTS**PAGES**

Operator Platform and Cab.....	4-5
Controls	6-7
Hydraulics.....	8-9
Undercarriage	10-11
Engine	12-13
Service and Options.....	14-15
Specifications	16-17
Bucket and Coupler Guide	18-20
Lift Capacities.....	21-23



Designed around you.

Slim frame posts ensure excellent all-round visibility, with good views of the boom and dipper. When working in a confined area, in urban areas, or between valuable crops such as in a vineyard, nursery or an orchard, you can operate a New Holland compact excavator with absolute precision for minimal disruption.

Canopy or cab

New Holland E17C and E33C compact excavators are fitted with a canopy only, while the E26C, E30C and E37C are offered with a choice of canopy or full cab. The E57C and E60C are cab only. The E17 is TOPS (tip-over) / FOPS (falling-object) compliant, while all other models are TOPS/FOPS/ROPS (roll-over) compliant to ISO standards. Low noise and vibration levels ensure you can work for extended work periods in comfort with no compromise in operator safety.



- Adjustable suspension seat





- Powerful ventilation for cooling or heating
- Automatic climate control is standard on E57C and E60C



- Integrated cup holders are fitted to models E26C through E60C



- E26C through E60C models have a lockable storage compartment under the seat



- Adjustable wrist rests



- Front sun screen opens or can be raised clear



- Standard hands-free feature available on E57C and E60C
- Control your mobile phone and radio via Bluetooth

More power, more productivity, more value.

A comfortable operator is a safe and productive operator. All models have excellent ergonomics, with all primary controls positioned for easy access. The shape of the joysticks enables the operator to choose their preferred method of working the key excavator functions, allowing both gripped and palm down operating positions. The armrests adjust to deliver the required level of support and the foot pedals on the smaller models fold to increase floor space. Getting in and out the machine is simplified because the left-side console tilts out of the way, locking the hydraulics at the same time to prevent accidental operation.

- All controls are within easy reach
- Joysticks positioned for ease of use
- Safety lock prevents exit while hydraulic controls are live





- Standard digital side console on E17C, E26C, E30C, E33C and E37C
- Sealed against dust and moisture
- Integrated code anti-theft system
- Hour meter, engine speed and warning lights
- Fuel level and coolant temperature gauges



- Standard digital 5.7-inch (14.5cm) color LCD touchscreen display on E57C and E60C
- Displays engine speed and coolant temperature
- Hydraulic oil temperature
- Fuel level
- Maintenance information includes fault codes and diagnostics
- Input jack for optional rear view camera



- E17C to E37C joystick features full proportional control
- Optional integral buttons for auxiliary hydraulics



- E57C and E60C joystick features full proportional control
- Optional additional auxiliary controls on left joystick



- Fold-up travel pedals are fitted to all models (except E17C)

Smooth control, powerful performance.

The efficient conversion of engine power into hydraulic muscle lies behind the productivity of New Holland compact excavators. All models have three separate pumps to deliver optimized performance when traveling between sites or using the dozer blade, when working with the excavator and when driving hydraulic attachments. For demanding auxiliary attachments, a fourth pump option is available for the E57C and E60C.

The advance hydraulic system includes a swing parking brake and an arm flow summation system ensuring smooth and precise control. Other advance features include a hydraulically-lubricated swing reducer and a hydraulic damper in the travel pedal.

To further boost performance, the top two models have hydraulic flow summation. This advanced system delivers the enhanced proportional control typically restricted to high-capacity excavators exceeding 20-ton capacity.

Cushioned rams for:

- Smoother operation
- Greater operator comfort
- Reduced machine wear

Hydraulic accumulator delivers:

- Cushioned shock loads
- Oil loss mitigation
- Vibration damping
- Emergency hydraulic function

Separate hydraulic pumps deliver:

- Cooler running
- Greater efficiency
- Faster hydraulic response
- Dedicated flow to meet demand
- Fourth pump option E57C and E60

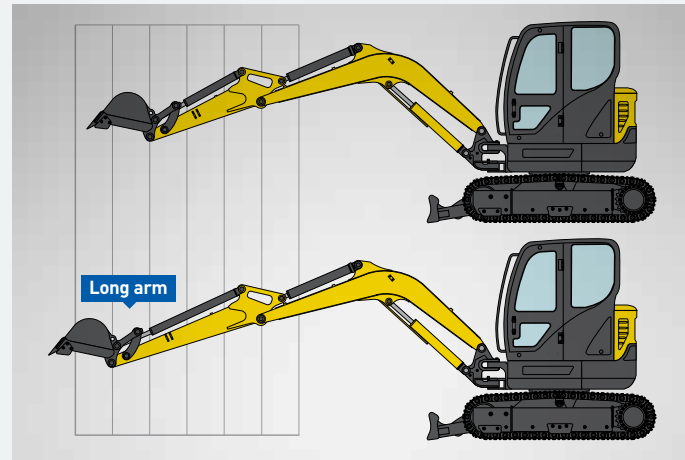


Standard and long arm choice

Specify your C Series compact excavator with the arm length to best suit your requirements.

MODEL	STANDARD ARM LENGTH ft. in. (mm)	LONG ARM LENGTH ft. in. (mm)
E17C	3' 2" (965)	3' 8" (1117)
E26C	3' 8" (1117)	4' 5" (1346)
E30C	3' 8" (1117)	-
E33C	4' 3" (1295)	-
E37C	4' 3" (1295)	5' 3" (1295)
E57C	5' 3" (1295)	6' 3" (1905)
E60C	4' 10" (1295)	6' 3" (1905)

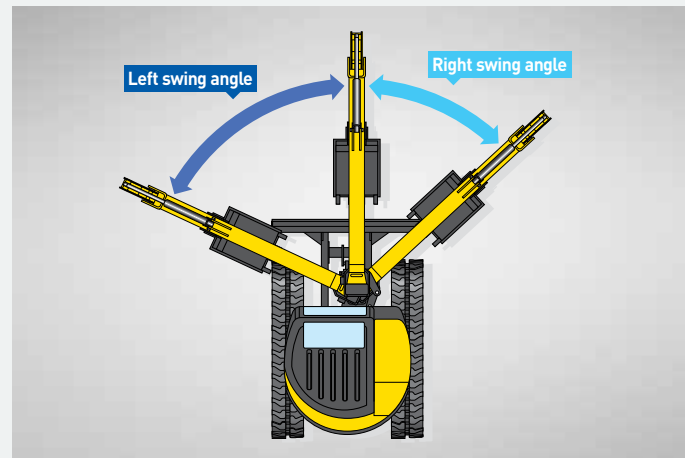
- Not available



Ample boom swing angles

- Efficient parallel digging: good for working along side obstacles
- Less time: no need to reposition the machine, get the job done faster
- Better visibility: larger left swing angle to the side of the door

MODEL	LEFT SWING (degrees)	RIGHT SWING (degrees)
E17C	70	54
E26C	75	50
E30C	75	50
E33C	75	50
E37C	75	50
E57C	80	50
E60C	70	50



Auxiliary hydraulic power and versatility

- Power for couplers and thumbs
- Reversible flow for augers
- High-capacity constant flow for compactors
- Power for hydraulic hammers

Intelligent features

- Hydraulic flow summation system
- Boom hold
- Swing parking brake
- Excellent hydraulic hose protection
- Cylinder protection covers on boom, dipper and dozer



Boom pivot pins secured by plate and bolt

- Reduced lateral movement
- Long service life
- Reliable performance in tough conditions
- Lower whole life operating costs



Excellent stability, maximum traction.

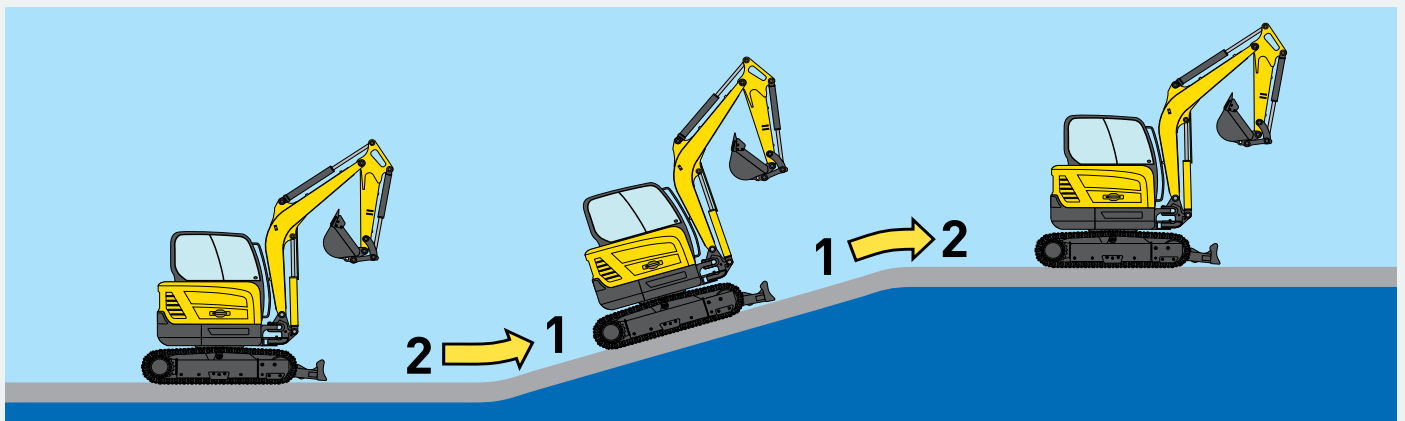
Built for versatility, New Holland mini-excavators have powerful traction matched to a low center of gravity for stability across difficult terrain. The dozer blade, which is lowered for stability when excavating, features excellent geometry for leveling and grading. Dependent upon model, there are four choices of track design, with the E17C featuring hydraulic variable track width.

All models feature Auto-Shift. Based on load condition, the two-speed drive automatically shifts into low range to maintain forward speed with no input from the operator and returns to high when load reduces.



Auto Shift Down

- Always travel at the machine's highest speed. Auto-Shift is available on all models



- E17C travel motor hoses run inside the track frame for protection
- Excellent ground clearance, up to 6.7 inches (170 mm) on the E17C
- Double-flange rollers are standard to minimize the risk of de-tracking



- E17C track width adjusts from 39 to 51 inches (980 to 1300 mm)
- This function is hydraulically controlled from the operator seat



- Dozer blade extenders are standard on variable track width on the E17C model
- Simple pin lock system



TRACK SELECTION		E17C	E27C	E30C	E33C	E37C	E57C	E60C
1 - Rubber tracks	in. (mm)	9.1 (230)	9.8 (250)	11.8 (300)	11.8 (300)	11.8 (300)	15.7 (400)	15.7 (400)
2 - Rubber link tracks	in. (mm)	-	-	-	-	-	15.7 (400)	15.7 (400)
3 - Steel tracks	in. (mm)	-	-	-	11.8 (300)	11.8 (300)	15/17.7 (380/450)	15/17.7 (380/450)
4 - Steel tracks with rubber pads	in. (mm)	-	-	-	-	-	15.7 (400)	15.7 (400)

- Not available

Efficient, Powerful, Dependable.

New Holland mini-excavators are compliant with Tier 4 Final emission regulations and employ different after treatment technologies to achieve this. Each model has a power unit selected to match the excavators size and capacity. This ensures optimized performance and fuel economy. To further enhance economy, the E33C, E37C, E57C and E60C are fitted with Auto-idle.

MODEL	Gross Power (hp)	Emission Level	Tier 4 Technology
E17C	16.8	Tier 4B	Mechanical - No ATS
E26C	24.8	Tier 4B	Mechanical - No ATS
E30C	24.8	Tier 4B	Mechanical - No ATS
E33C	24.4	Tier 4B	Mechanical + CEGR
E37C	24.4	Tier 4B	Mechanical + CEGR
E57C	66.9	Tier 4B	Electronic + CEGR + DPF
E60C	64.7	Tier 4B	Electronic + CEGR + DPF

Auto-idle (E33C, E37C, E57C and E60C)

When the hydraulics or traction motors are not demanding oil, the engine speed is reduced to idle with no input required from the operator. This feature can be turned on or off via a simple switch on the main console.

- Reduced fuel consumption
- Reduced engine noise
- Reduced wear



Attachments for dedicated efficiency.

A compact excavator is far more versatile than you think. With the right attachment, these machines can be used for a diverse range of jobs from fence installation to concrete breaking. With New Holland models you have the added advantage of high constant hydraulic flow. Powering demanding attachments is a key New Holland advantage. The range of attachments developed for compact excavators continues to grow, further increasing your job site versatility.

Hydraulic Quick Coupler

- Hands-free coupling and release of buckets
- Safely swap between large, heavy attachments
- Mechanical quick lock attachment brackets are also available



Attachments available

- Standard or Ditching Bucket
- Thumbs
- Soil Auger
- Hydraulic Hammer
- Hydraulic Compactor
- Mechanical & Hydraulic Coupler



Compactor

Ideal for slope compaction, road maintenance and construction sites.



Soil auger

Soil augers, of varying sizes, for post holes or planting trees and shrubs.



Hammer

Hammer circuit for high impact attachments.

Ease of care protects your investment.

Preparing a New Holland C Series mini-excavator for work takes less time. Routine maintenance tasks are simplified, with all key check and service points grouped together. For secure transport on a trailer, easy access lashing points are fitted.

Long service intervals

- Main pivots — lubricate every 250 hours
- Polymer shims — long life, maintenance free
- Extended life hydraulic filters — 1,000 hour change interval
- Long-life hydraulic oil — 5,000 hour change interval



Sight glass allows hydraulic oil level to be checked quickly and with no need to lift the engine hood



Centralized grease points



Forward tilting cab on E60C eases maintenance access





A lifting hook is standard on all models (except E17C)

Customize your machine

Install these extras to upgrade your machine to match the needs of your operation.

- Air conditioning (models E37C, E57C and E60C)
- Object handling kit
- Counterweights
- Second 2-way auxiliary



FLEETFORCE

FleetForce™ Telematics: Real-time equipment monitoring, anytime, anywhere

Take control of your fleet—wherever you are—with New Holland FleetForce™ telematics. With just a few simple clicks of a button, FleetForce uses remote-monitoring applications to deliver detailed information regarding your machines, allowing you to keep track of multiple machines at multiple job sites — especially helpful when you operate a large fleet or rental operation. Unlike other systems, FleetForce tracks location even when machines are turned off. Every New Holland compact excavator is pre-wired telematics ready. Ask your New Holland dealer about available FleetForce subscriptions so you can take advantage of these benefits:

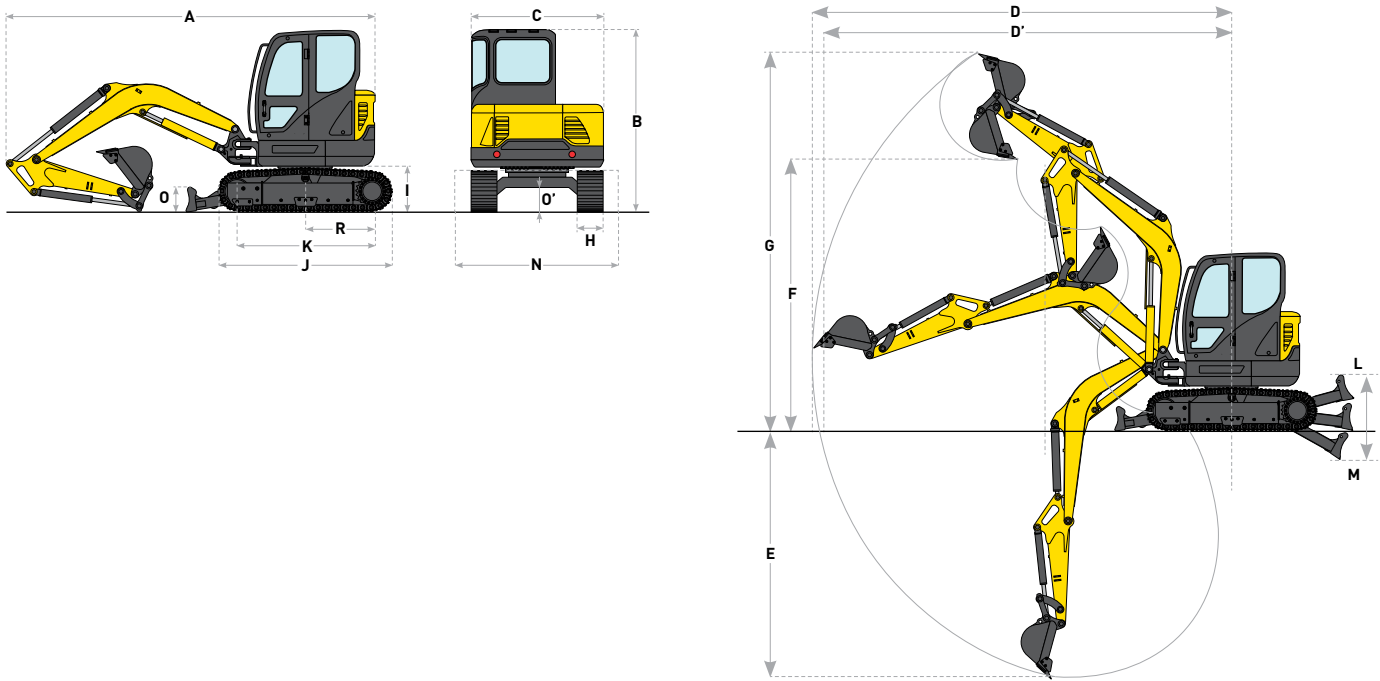
- Know the location and status of every machine in your fleet
- Track machine utilization and identify inefficiencies and excessive idling to save money and fuel
- Increase security with geo-fencing, curfew, motion sensing
- Better maintenance scheduling with automatic alerts and diagnostics
- Faster, more accurate job costing with machine hours and fuel reports

Models		E17C	E26C	E30C	E33C	E37C	E57C	E60C
Engines		Kubota	Kubota	Kubota	Yanmar	Yanmar	Yanmar	Yanmar
Type		D902	D1305	D1305	3TNV88F	3TNV88F	4TNV98C	4TNV98C
N° of cylinders		3	3	3	3	3	4	4
Displacement	in³ (cm³)	54.8 (898)	77 (1261)	77 (1261)	100.2 (1642)	100.2 (1642)	203 (3319)	203 (3319)
Emissions Certification Tier		4B	4B	4B	4B	4B	4B	4B
Rated gross horse power	hp (kW)	16.8 (12.5)	24.8 (18.5)	24.8 (18.5)	24.4 (18.2)	24.4 (18.2)	65.1 (48.5)	64.7 (48.3)
@ rated speed	rpm	2300	2300	2300	2200	2200	2400	2200
Max torque	lb. ft. (Nm)	39.49 (54)	60 (81)	60 (81)	69.4 (94)	69.4 (94)	174 (235)	174 (235)
@ rated speed	rpm	1900	1600	1600	1200	1200	1550	1560
Diesel tank capacity	gal. (L)	5.3 (20)	7.9 (30)	7.9 (30)	7.9 (30)	10.5 (40)	31.7 (120)	21.7 (82)
Hydraulic system								
Variable displacement axial piston pumps		●	●	●	●	●	●	●
Maximum flow	gpm (Lpm)	2 x 5 (2 x 18.8)	2 x 7.3 (2 x 27.6)	2 x 7.3 (2 x 27.6)	2 x 9.9 (2 x 37.4)	2 x 9.9 (2 x 37.4)	2 x 15.3 (2 x 57.8)	2 x 14.5 (2 x 55)
Maximum pressure	psi (bar)	3270 (230)	3430 (240)	3430 (240)	3560 (250)	3560 (250)	3410 (240)	3410 (240)
Gear pump delivery flow	gpm (Lpm)	1.8 (6.8)	5.2 (19.6)	5.2 (19.6)	6.1 (23.1)	6.1 (23.1)	12.7 (47.9)	9.7 (36.6)
Gear pump delivery pressure	psi (bar)	2420 (170)	2538 (175)	2538 (175)	2916 (205)	2916 (205)	3130 (220)	3130 (220)
Dedicated Hammer Circuit 1-way flow	gpm (Lpm)	–	–	–	–	–	17.2 (65)	17.2 (65)
Dedicated Hammer Circuit 1-way pressure	psi (bar)	–	–	–	–	–	3191 (220)	3191 (220)
1st Auxiliary 1-way/2-way Circuit flow ¹	gpm (Lpm)	7.2 (27.4)	12.5 (47.2)	12.5 (47.2)	16 (60.5)	16 (60.5)	17.2 (65)	17.2 (65)
1st Auxiliary 1-way/2-way Circuit pressure ¹	psi (bar)	2420 (170)	2538 (175)	2538 (175)	2973 (205)	2973 (205)	3191 (220)	3191 (220)
2nd Auxiliary 2-way Circuit flow	gpm (Lpm)	–	12.5 (47.2)	12.5 (47.2)	16 (60.5)	16 (60.5)	8.7 (33)	8.7 (33)
2nd Auxiliary 2-way Circuit pressure	psi (bar)	–	2538 (175)	2538 (175)	2973 (205)	2973 (205)	2321 (160)	2321 (160)
Transmission								
Type		two speed	two speed	two speed	two speed	two speed	two speed	two speed
Travel Speed - Low (1st)	mph (kph)	1.4 (2.2)	1.5 (2.4)	1.5 (2.4)	1.5 (2.4)	1.6 (2.5)	1.3 (2.1)	1.4 (2.2)
Travel Speed - High (2nd)	mph (kph)	2.6 (4.2)	2.7 (4.3)	2.7 (4.3)	2.6 (4.2)	2.6 (4.2)	2.5 (4.1)	2.5 (4.0)
Slewing								
Slewing speed	rpm	9.5	9.1	9.1	9.0	9.5	9.1	8.8
Boom slewing angle - left/right	degrees	70 / 54	75 / 50	75 / 50	75 / 50	75 / 50	80 / 50	70 / 50
Transport feature*								
A - Max length	ft. in. (mm)	11' 5" (3480)	13' 3" (4030)	13' 9" (4180)	15' 3" (4640)	15' 4" (4665)	19' 4" (5900)	18' 3" (5600)
B - Max height	ft. in. (mm)	7' 7" (2320)	8' 2" (2500)	8' 2" (2500)	8' 2" (2500)	8' 2" (2500)	8' 4" (2550)	8' 4" (2550)
C - Max width	ft. in. (mm)	3' 3" (990)	4' 11" (1500)	5' 1" (1550)	5' 1" (1550)	5' 9" (1740)	6' 4" (1920)	6' 4" (1940)
Max width tracks extended	ft. in. (mm)	4' 3" (1300)	–	–	–	–	–	–
Operating weight*								
Cab	lb. (kg)	–	5850 (2655)	6636 (3010)	–	8300 (3765)	12,050 (5465)	12,940 (5870)
Cab with additional counterweight	lb. (kg)	–	6136 (2785)	6922 (3140)	–	8630 (3915)	12,270 (5565)	13,160 (5970)
Canopy	lb. (kg)	3910 (1775)	5520 (2505)	6306 (2860)	7396 (3355)	7990 (3625)	–	–
Canopy with additional counterweight	lb. (kg)	4,090 (1857)	5806 (2635)	6592 (2990)	7682 (3485)	8320 (3775)	–	–

● Standard – Not available * Weight is with rubber tracks / 165 lb operator / full fuel tank and fluids / bucket / no coupler

¹ Selection valve for 1-way or 2-way flow

Models		E17C	E26C	E30C	E33C	E37C	E57C	E60C
Dimensions								
R - Tail swing radius	ft. in. (mm)	2' 1" (645)	2' 6" (750)	2' 10" (863)	2' 10" (863)	2' 10" (870)	5' 5" (1650)	3' 7" (1080)
H - Track shoe width	ft. in. (mm)	9' 0" (230)	9.8" (250)	11.8" (300)	12" (300)	12" (300)	1' 3" (380)	1' 3" (380)
I - Ground clearance of rear end	ft. in. (mm)	1' 5" (440)	1' 8" (510)	1' 8" (510)	1' 9" (540)	1' 9" (540)	2' 3" (690)	2' 2" (660)
J - Overall Length of Crawler	ft. in. (mm)	5' 3" (1590)	6' 3" (1910)	6' 6" (1970)	7' (2130)	7' (2130)	8' 4" (2530)	8' 4" (2530)
K - Center distance of tumbler	ft. in. (mm)	4' 0" (1230)	4' 11" (1490)	5' 1" (1550)	5' 7" (1700)	5' 7" (1700)	6' 6" (1990)	6' 3" (1990)
L - Blade max lifting	ft. in. (mm)	11.2" (285)	1' 1" (330)	1' 7" (482)	1' 4" (400)	1' 3" (380)	1' 3" (380)	8" (200)
M - Blade max lowering	ft. in. (mm)	8.9" (225)	1' 3" (380)	1' 6" (450)	1' 5" (435)	1' 3" (380)	1' 11" (590)	2' 4" (700)
N - Blade width	ft. in. (mm)	3' 3" / 4' 3" (990 / 1300)	5' 0" (1500)	5' 1" (1550)	5' 1" (1550)	5' 9" (1740)	6' 4" (1920)	6' 7" (2010)
O - Blade height	ft. in. (mm)	9.8" (250)	12" (300)	1' 1" (330)	1' 1" (330)	1' 3" (380)	1' 2" (350)	1' 2" (350)
O' - Ground clearance of undercarriage	ft. in. (mm)	6.7" (170)	11" (290)	11" (290)	11" (290)	11" (290)	1' 3" (380)	1' 3" (380)



Models		E17C		E26C		E30C		E33C		E37C		E57C		E60C	
Digging performances															
Arm		Std.	Long	Std.	Long	Std.	Long	Std.	Long	Std.	Long	Std.	Long	Std.	Long
Dipperstick	ft. in. (mm)	3' 2" (960)	3' 8" (1120)	3' 8" (1120)	4' 5" (1350)	3' 8" (1120)	-	4' 3" (1300)	-	4' 3" (1300)	5' 3" (1600)	5' 3" (1600)	6' 3" (1900)	4' 10" (1480)	6' 3" (1900)
Dipperstick Breakout force (ISO)	lbf (kN)	1920 (8.5)	1710 (7.6)	3280 (14.6)	2880 (12.8)	3080 (13.7)	-	4390 (19.5)	-	4390 (19.5)	3800 (16.9)	7190 (31.9)	6460 (28.7)	5950 (26.5)	5035 (22.4)
Bucket Breakout force (ISO)	lbf (kN)	3490 (15.5)	3490 (15.5)	4740 (21.1)	4740 (21.1)	4520 (20.1)	-	6900 (30.7)	-	6900 (30.7)	6900 (30.7)	9550 (42.4)	9550 (42.4)	9190 (40.9)	9190 (40.9)
D - Max reach	ft. in. (mm)	12' 10" (3900)	13' 3" (4030)	14' 8" (4480)	15' 4" (4680)	15' 3" (4650)	-	17' (5180)	-	17' 5" (5315)	18' 5" (5605)	20' 2" (6150)	21' (6400)	20' 2" (6150)	21' 3" (6480)
D' - Max reach at ground level	ft. in. (mm)	12' 6" (3800)	12' 11" (3940)	14' 3" (4340)	14' 11" (4540)	14' 10" (4515)	-	16' 7" (5060)	-	17' 1" (5200)	18' (5495)	19' 9" (6010)	20' 7" (6270)	19' 9" (6010)	20' 10" (6350)
E - Max digging depth	ft. in. (mm)	7' 3" (2200)	7' 9" (2350)	7' 11" (2420)	8' 8" (2645)	8' 2" (2500)	-	9' 11" (3035)	-	10' 3" (3135)	11' 3" (3440)	12' 6" (3820)	13' 4" (4060)	11' 9" (3570)	13' 1" (3990)
F - Max dump height	ft. in. (mm)	8' 5" (2570)	8' 10" (2670)	9' 7" (2930)	9' 11" (3030)	9' 7" (2930)	-	10' 9" (3275)	-	11' 3" (3425)	11' 10" (3615)	13' 3" (4050)	13' 9" (4180)	12' 11" (3930)	13' 5" (4100)
G - Max digging height	ft. in. (mm)	11' 9" (3580)	12' 1" (3680)	13' 7" (4150)	13' 11" (4235)	14' (4270)	-	15' 3" (4650)	-	15' 9" (4810)	16' 7" (5010)	19' (5780)	19' 5" (5920)	18' 8" (5680)	19' 2" (5850)

Pin-On Bucket Offering				
Width in. (mm)	Cut in. (mm)	Rated ft. ³ (liter)	No. of Teeth	Weight lbs. (kg)
E17C (1-position)				
10 (254)	11 (279)	.87 (25)	3	79 (36)
12 (305)	13 (330)	1.0 (28)	3	86 (39)
16 (406)	17 (432)	1.3 (37)	3	97 (44)
18 (457)	19 (483)	1.5 (42)	4	106 (48)
E26C & E30C (1-position)				
12 (305)	13 (330)	1.3 (37)	3	121 (55)
18 (457)	19 (483)	2.0 (57)	4	154 (70)
24 (610)	25 (635)	2.7 (76)	5	185 (84)
E30C high-capacity (1-position)				
12 (305)	13 (330)	2.1 (59)	3	161 (73)
18 (457)	19 (483)	3.2 (91)	4	189 (86)
24 (610)	25 (635)	4.3 (119)	5	249 (113)
E33C & E37C (1-position)				
12 (305)	13 (330)	2.2 (62)	3	161 (73)
18 (457)	19 (483)	3.2 (91)	4	205 (93)
24 (610)	25 (635)	4.2 (119)	5	247 (112)
36 (914)	37 (940)	6.4 (181)	6	331 (150)
E57C & E60C (1-position)				
12 (305)	13 (330)	3.0 (85)	3	190 (86)
18 (457)	19 (483)	4.5 (127)	4	240 (109)
24 (610)	25 (635)	6.3 (178)	5	291 (132)
36 (914)	37 (940)	9.8 (278)	6	388 (176)

NOTE: See page 20 for Coupler descriptions



18" Pin-On Bucket



36" Pin-On Bucket

Klac Bucket Offering

Width in. (mm)	Cut in. (mm)	Rated ft. ³ (liter)	No. of Teeth	Weight lbs. (kg)
E17C				
10 (254)	11 (279)	.87 (25)	3	88 (40)
12 (305)	13 (330)	1.0 (28)	3	95 (43)
16 (406)	17 (432)	1.5 (42)	3	106 (48)
18 (457)	19 (483)	1.8 (51)	4	117 (53)
E26C & E30C				
12 (305)	13 (330)	1.4 (39)	3	143 (65)
18 (457)	19 (483)	2.1 (58)	4	176 (80)
24 (610)	25 (635)	2.8 (78)	5	209 (95)
E33C & E37C				
12 (305)	13 (330)	2.2 (62)	3	179 (81)
18 (457)	19 (483)	3.2 (91)	4	223 (101)
24 (610)	25 (635)	4.2 (119)	5	267 (121)
36 (914)	37 (940)	6.4 (181)	6	348 (158)
E57C & E60C				
12 (305)	13 (330)	3.0 (85)	3	220 (100)
18 (457)	19 (483)	3.6 (102)	4	256 (116)
24 (610)	25 (635)	5.0 (142)	5	309 (140)
36 (914)	37 (940)	7.8 (221)	6	408 (185)

NOTE: See page 20 for Coupler descriptions



Klac Bucket

Coupler Specs		
Style	Weight lbs. (kg)	Application Notes
E17C		
Mechanical	65 (29)	For use where bucket (accessory) changes are frequent.
Klac	30 (14)	The low profile of the Klac style coupler is designed to mitigate the loss of breakout force.
E26C & E30C		
Mechanical	95 (43)	For use where bucket (accessory) changes are frequent.
Hydraulic	95 (43)	For use where bucket (accessory) changes are frequent and operator convenience is key factor.
Klac	60 (27)	The low profile of the Klac style coupler is designed to mitigate the loss of breakout force.
E33C & E37C		
Mechanical	97 (44)	For use where bucket (accessory) changes are frequent.
Hydraulic	115 (52)	For use where bucket (accessory) changes are frequent and operator convenience is key factor.
Klac	115 (52)	The low profile of the Klac style coupler is designed to mitigate the loss of breakout force.
E57C & E60C		
Mechanical	165 (75)	For use where bucket (accessory) changes are frequent.
Hydraulic	154 (70)	For use where bucket (accessory) changes are frequent and operator convenience is key factor.
Klac	110 (50)	The low profile of the Klac style coupler is designed to mitigate the loss of breakout force.



Mechanical Coupler



Klack Coupler & Bucket

Specialty Bucket Offering					
Width in. (mm)	Cut in. (mm)	Rated ft. ³ (liter)	No. of Teeth	Weight lbs. (kg)	Bolt-On Edge (Not Included)
E33C & E37C Ditch Cleaning Buckets - Pin-On					
36 (914)	37 (940)	6.6 (187)	-	233 (106)	Available
E33C & E37C Ditch Cleaning Buckets - Klac					
36 (914)	37 (940)	6.6 (187)	-	315 (143)	Available
E57C & E60C Ditch Cleaning Buckets - Pin-On					
36 (914)	37 (940)	6.6 (187)	-	238 (108)	Available
E57C & E60C Ditch Cleaning Buckets - Klac					
36 (914)	37 (940)	6.6 (187)	-	315 (143)	Available
E57C & E60C Cemetery Buckets - Pin-On					
36 (914)	37 (940)	3.5 (99)	6	269 (122)	-
E57C & E60C Cemetery Buckets - Klac					
36 (914)	37 (940)	3.5 (99)	6	310 (141)	-

- Not available

E17C Standard Arm

5 ft. 11 in. (1.8 m) Boom, 3 ft. 2 in. (0.96 m) Arm, Dozer Blade Down

Canopy unit equipped with 0.04 m³ (SAE heaped) bucket, 9 in. (230 mm) rubber track (extended) and 414 lb. (188 kg) counterweight.

Load/Lift point height		Load Radius										At Maximum Reach		
		3 ft. (1.0 m)		5 ft. (1.5 m)		7 ft. (2.0 m)		8 ft. (2.5 m)		10 ft. (3.0 m)		Reach ⌀	Capacity	
		end	side	end	side	end	side	end	side	end	side		end	side
+7 ft. (2.0 m)	lb. (kg)							710* (320)*	710* (320)*	710* (320)*	510 (230)	10 ft. 1 in. (3.07 m)	560* (260)*	490 (220)
Groundline	lb. (kg)			1520* (690)*	1410 (640)	1740* (790)*	860 (390)	1220* (550)*	610 (280)	930* (420)*	460 (210)	10 ft. 8 in. (3.26 m)	820* (370)*	400 (180)
-3 ft. (-1.0 m)	lb. (kg)	2280* (1030)*	2280* (1030)*	2180* (990)*	1440 (650)	1480* (670)*	870 (390)	1050* (480)*	610 (280)			8 ft. 11 in. (2.71 m)	900* (410)*	540 (240)

E17C Long Arm

5 ft. 11 in. (1.8 m) Boom, 3 ft. 8 in. (1.12 m) Arm, Dozer Blade Down

Canopy unit equipped with 0.04 m³ (SAE heaped) bucket, 9 in. (230 mm) rubber track (extended) and 591 lb. (268 kg) counterweight.

Load/Lift point height		Load Radius										At Maximum Reach				
		3 ft. (1.0 m)		5 ft. (1.5 m)		7 ft. (2.0 m)		8 ft. (2.5 m)		10 ft. (3.0 m)		12 ft. (3.5 m)		Reach ⌀	Capacity	
		end	side	end	side	end	side	end	side	end	side	end	side		end	side
+10 ft. (3.0 m)	lb. (kg)													8 ft. 0 in. (2.43 m)	550* (250)*	550* (250)*
Groundline	lb. (kg)	880* (400)*	880* (400)*	1500* (680)*	1500* (680)*	1700* (770)*	970 (440)	1190* (540)*	690 (310)	910* (410)*	520 (240)			11 ft. 3 in. (3.42 m)	640* (290)*	420 (190)
-3 ft. (-1.0 m)	lb. (kg)	1980* (900)*	1980* (900)*	2350* (1070)*	1590 (720)	1540* (700)*	970 (440)	1100* (500)*	680 (310)					9 ft. 7 in. (2.91 m)	840* (380)*	540 (250)

E26C Standard Arm

6 ft. 5 in. (1.9 m) Boom, 3 ft. 8 in. (1.12 m) Arm, Dozer Blade Down

Canopy unit equipped with 0.07 m³ (SAE heaped) bucket, 10 in. (250 mm) rubber track and 258 lb. (117 kg) counterweight.

Load/Lift point height		Load Radius										At Maximum Reach				
		3 ft. (1.0 m)		5 ft. (1.5 m)		7 ft. (2.0 m)		8 ft. (2.5 m)		10 ft. (3.0 m)		12 ft. (3.5 m)		Reach ⌀	Capacity	
		end	side	end	side	end	side	end	side	end	side	end	side		end	side
+10 ft. (3.0 m)	lb. (kg)									1290* (580)*	800 (360)			10 ft. 4 in. (3.16 m)	1350* (610)*	720 (330)
Groundline	lb. (kg)	1840* (830)*	1840* (830)*	2130* (970)*	2130* (970)*	4080* (1850)*	1280 (580)	3130* (1420)*	890 (400)	2340* (1060)*	670 (300)	1870* (850)*	520 (240)	12 ft. 4 in. (3.75 m)	1690* (770)*	460 (210)
-3 ft. (-1.0 m)	lb. (kg)	3720* (1690)*	3720* (1690)*	4650* (2110)*	2210 (1000)	4000* (1810)*	1,290 (580)	2,840* (1290)*	890 (400)	2110* (960)*	660 (300)			10 ft. 5 in. (3.17 m)	1900* (860)*	610 (280)

E26C Long Arm

6 ft. 5 in. (1.9 m) Boom, 4 ft. 5 in. (1.35 m) Arm, Dozer Blade Down

Canopy unit equipped with 0.07 m³ (SAE heaped) bucket, 10 in. (250 mm) rubber track and 545 lb. (247 kg) counterweight.

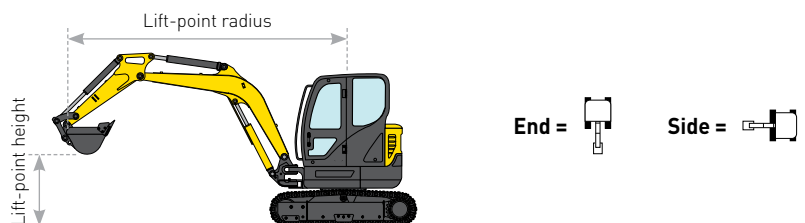
Load/Lift point height		Load Radius										At Maximum Reach						
		3 ft. (1.0 m)		5 ft. (1.5 m)		7 ft. (2.0 m)		8 ft. (2.5 m)		10 ft. (3.0 m)		12 ft. (3.5 m)		13 ft. (4.0)		Reach ⌀	Capacity	
		end	side	end	side	end	side	end	side	end	side	end	side	end	side		end	side
+10 ft. (3.0 m)	lb. (kg)															11 ft. 3 in. (3.43 m)	1100* (500)*	740 (330)
Groundline	lb. (kg)	1550* (700)*	1550* (700)*	2050* (930)*	2050* (930)*	4160* (1890)*	1510 (690)	3,040* (1380)*	1060 (480)	2,270* (1030)*	800 (360)	1830* (830)*	630 (280)	13 ft. 1 in. (3.98 m)	1440* (650)*	510 (250)		
-3 ft. (-1.0 m)	lb. (kg)	3100* (1410)*	3100* (1410)*	3950* (1790)*	2550 (1160)	4280* (1940)*	1500 (680)	2990* (1360)*	1040 (470)	2240* (1020)*	780 (360)			11 ft. 3 in. (3.44 m)	1750* (790)*	640 (290)		

NOTE: Lifting capacity are based on ISO 10567.

Lifting capacity does not exceed 75% of tipping load with the machine on firm, level ground or 87% of full hydraulic capacity.

The lift point is a hook located on the back of the bucket.

*Indicates load limited by hydraulic capacity.



E30C Standard Arm

6 ft. 8 in. (2.03 m) Boom, 3 ft. 8 in. (1.12 m) Arm, Dozer Blade Down

Canopy unit equipped with 0.08 m³ (SAE heaped) bucket, 10 in. (250 mm) rubber track and 772 lb. (350 kg) counterweight.

Load/Lift point height		Load Radius										At Maximum Reach		
		7 ft. (2.0 m)		8 ft. (2.5 m)		10 ft. (3.0 m)		12 ft. (3.5 m)		13 ft. (4.0 m)		Reach ⌀	Capacity	
		end	side	end	side	end	side	end	side	end	side		end	side
+10 ft. (3.0 m)	lb. (kg)					1270* (580)*	1080 (490)					10 ft. 9 in. (3.27 m)	1070* (490)*	920 (420)
Groundline	lb. (kg)	3820* (1730)*	1730 (780)	3170* (1440)*	1210 (550)	2370* (1070)*	920 (420)	1890* (860)*	730 (330)			12 ft. 7 in. (3.84 m)	1460* (660)*	630 (280)
-3 ft. (-1.0 m)	lb. (kg)	4000* (1810)*	1740 (790)	2870* (1300)*	1210 (550)	2150* (980)*	910 (410)					10 ft. 9 in. (3.28 m)	1810* (820)*	800 (360)

E33C Standard Arm

7 ft. 10 in. (2.38 m) Boom, 4 ft. 3 in. (1.3 m) Arm, Dozer Blade Down

Canopy unit equipped with 0.09 m³ (SAE heaped) bucket, 12 in. (300 mm) rubber track and 772 lb. (350kg) counterweight.

Load/Lift point height		Load Radius								At Maximum Reach		
		3 ft. (1.0 m)		7 ft. (2.0 m)		10 ft. (3.0 m)		13 ft. (4.0 m)		Reach ⌀	Capacity	
		end	side	end	side	end	side	end	side		end	side
+10 ft. (3.0 m)	lb. (kg)									12 ft. 10 in. (3.92 m)	1240* (560)*	710 (320)
Groundline	lb. (kg)			4030* (1 830)*	1740 (790)	2880* (1310)*	900 (410)	1890* (860)*	570 (260)	14 ft. 3 in. (4.35 m)	1670* (760)*	490 (220)
-3 ft. (-1.0 m)	lb. (kg)	4470* (2030)*	4470* (2030)*	4940* (2240)*	1760 (800)	2750* (1250)*	890 (400)			12 ft. 8 in. (3.87 m)	1800* (820)*	590 (270)

E37C Standard Arm

8 ft. 2 in. (2.5 m) Boom, 4 ft. 3 in. (1.3 m) Arm, Dozer Blade Down

Canopy unit equipped with 0.11 m³ (SAE heaped) bucket, 12 in. (300 mm) rubber track and 900 lb. (410 kg) counterweight.

Load/Lift point height		Load Radius								At Maximum Reach		
		3 ft. (1.0 m)		7 ft. (2.0 m)		10 ft. (3.0 m)		13 ft. (4.0 m)		Reach ⌀	Capacity	
		end	side	end	side	end	side	end	side		end	side
+10 ft. (3.0 m)	lb. (kg)									12 ft. 11 in. (3.94 m)	1170* (530)*	1070 (490)
Groundline	lb. (kg)			2990* (1320)*	2500 (1130)	2410* (1090)*	1440 (650)	1570* (710)*	920 (420)	14 ft. 11 in. (4.55 m)	1320* (600)*	750 (340)
-3 ft. (-1.0 m)	lb. (kg)	3840* (1740)*	3840* (1740)*	4330* (1960)*	2800 (1270)	2390* (1090)*	1410 (640)	1520* (690)*	910 (410)	13 ft. 8 in. (4.17 m)	1400* (640)*	860 (390)

E37C Long Arm

8 ft. 2 in. (2.5 m) Boom, 5 ft. 3 in. (1.6 m) Arm, Dozer Blade Down

Canopy unit equipped with 0.11 m³ (SAE heaped) bucket, 12 in. (300 mm) rubber track and 1,235 lb. (560 kg) counterweight.

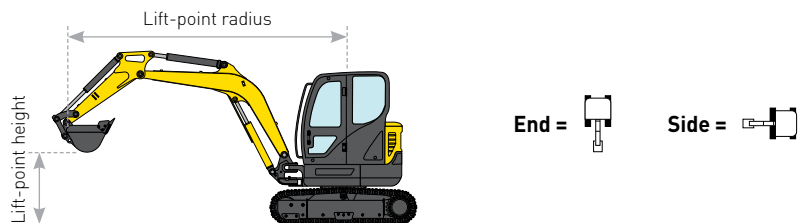
Load/Lift point height		Load Radius								At Maximum Reach		
		3 ft. (1.0 m)		7 ft. (2.0 m)		10 ft. (3.0 m)		13 ft. (4.0 m)		Reach ⌀	Capacity	
		end	side	end	side	end	side	end	side		end	side
+10 ft. (3.0 m)	lb. (kg)							970* (440)*	970* (440)*	14 ft. 2 in. (4.32 m)	970* (440)*	970* (440)*
Groundline	lb. (kg)			3060* (1390)*	3060* (1390)*	2300 lb* (1040)*	1630 (740)	1510* (680)*	1050 (470)	16 ft. 0 in. (4.87 m)	1140* (520)*	760 (350)
-3 ft. (-1.0 m)	lb. (kg)	3040* (1380)*	3040* (1380)*	4610* (2090)*	3090 (1400)	2420* (1100)*	1580 (720)	1560* (710)*	1020 (460)	14 ft. 10 in. (4.52 m)	1250* (570)*	850 (380)

NOTE: Lifting capacity are based on ISO 10567.

Lifting capacity does not exceed 75% of tipping load with the machine on firm, level ground or 87% of full hydraulic capacity.

The lift point is a hook located on the back of the bucket.

*Indicates load limited by hydraulic capacity.



E57C Standard Arm**9 ft. 10 in. (3.0 m) Boom, 5 ft. 3 in. (1.6 m) Arm, Dozer Blade Down**Canopy unit equipped with 0.18 m³ (SAE heaped) bucket, 15 in. (380 mm) rubber track and 518 lb. (235 kg) counterweight.

Load/Lift point height		Load Radius								At Maximum Reach		
		7 ft. (2.0 m)		10 ft. (3.0 m)		13 ft. (4.0 m)		16 ft. (5.0 m)		Reach ⊕	Capacity	
		end	side	end	side	end	side	end	side		end	side
+10 ft. (3.0 m)	lb. (kg)					2340* (1060)*	2100 (950)			16 ft. 3 in. (4.96 m)	2150* (970)*	1400 (630)
Groundline	lb. (kg)	4160* (1890)*	4160* (1890)*	5920* (2680)*	2730 (1240)	3910* (1770)*	1750 (800)	2940* (1330)*	1230 (560)	17 ft. 0 in. (5.17 m)	2820* (1280)*	1160 (530)
-3 ft. (-1.0 m)	lb. (kg)	6870* (3120)*	5430 (2460)	5890* (2670)*	2690 (1220)	3950* (1790)*	1710 (780)			15 ft. 8 in. (4.77 m)	3040* (1380)*	1310 (590)

E57C Long Arm**9 ft. 10 in. (3.0 m) Boom, 6 ft. 3 in. (1.9 m) Arm, Dozer Blade Down**Canopy unit equipped with 0.18 m³ (SAE heaped) bucket, 15 in. (380 mm) rubber track and 739 lb. (335 kg) counterweight.

Load/Lift point height		Load Radius								At Maximum Reach		
		3 ft. (1.0 m)		7 ft. (2.0 m)		10 ft. (3.0 m)		13 ft. (4.0 m)		Reach ⊕	Capacity	
		end	side	end	side	end	side	end	side		end	side
+10 ft. (3.0 m)	lb. (kg)					2070* (940)*	2070* (940)*	2150* (980)*	1500 (680)	17 ft. 3 in. (5.27 m)	1800* (820)*	1350 (610)
Groundline	lb. (kg)	4070* (1840)*	4070* (1840)*	5770* (2620)*	2930 (1330)	3800* (1730)*	1890 (860)	2890* (1310)*	1320 (600)	17 ft. 11 in. (5.46 m)	2360* (1070)*	1140 (520)
-3 ft. (-1.0 m)	lb. (kg)	6160* (2790)*	5720 (2600)	5960* (2700)*	2860 (1300)	3980* (1800)*	1830 (830)	2880* (1310)*	1300 (590)	16 ft. 8 in. (5.08 m)	2800* (1270)*	1260 (570)

E60C Standard Arm**9 ft. 6 in. (2.9 m) Boom, 4 ft. 10 in. (1.48 m) Arm, Dozer Blade Down**Cab unit equipped with 0.18 m³ (SAE heaped) bucket, 15 in. (380 mm) rubber track and 1,036 lb. (470 kg)

Load/Lift point height		Load Radius								At Maximum Reach		
		7 ft. (2.0 m)		10 ft. (3.0 m)		13 ft. (4.0 m)		16 ft. (5.0 m)		Reach ⊕	Capacity	
		end	side	end	side	end	side	end	side		end	side
+10 ft. (3.0 m)	lb. (kg)					2590* (1180)*	1950 (880)			15 ft. 11 in. (4.86 m)	1880* (850)*	1330 (600)
Groundline	lb. (kg)	3610* (1640)*	3610* (1640)*	6560* (2970)*	2540 (1150)	4230* (1920)*	1610 (730)	3110* (1410)*	1120 (510)	16 ft. 8 in. (5.09 m)	2700* (1230)*	1090 (490)
-3 ft. (-1.0 m)	lb. (kg)	6420* (2910)*	5250 (2380)	6290* (2850)*	2510 (1140)	4160* (1890)*	1580 (720)			15 ft. 3 in. (4.65 m)	3260* (1480)*	1250 (570)

E60C Long Arm**9 ft. 6 in. (2.9 m) Boom, 6 ft. 3 in. (1.9 m) Arm, Dozer Blade Down**Cab unit equipped with 0.18 m³ (SAE heaped) bucket, 15 in. (380 mm) rubber track and 1,477 lb. (670 kg) counterweight.

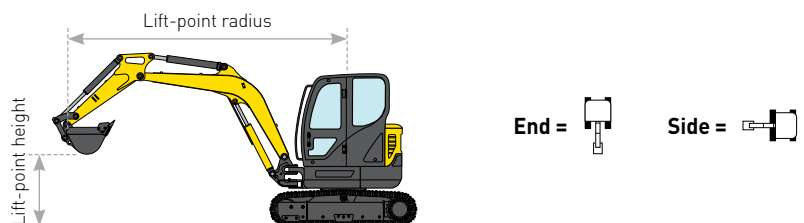
Load/Lift point height		Load Radius								At Maximum Reach		
		7 ft. (2.0 m)		10 ft. (3.0 m)		13 ft. (4.0 m)		16 ft. (5.0 m)		Reach ⊕	Capacity	
		end	side	end	side	end	side	end	side		end	side
+10 ft. (3.0 m)	lb. (kg)					2090* (950)*	2090* (950)*	2130* (960)*	1400 (640)	17 ft. 3 in. (5.27 m)	1380* (620)*	1250 (570)
Groundline	lb. (kg)	3590* (1630)*	3590* (1630)*	6250* (2840)*	2770 (1260)	3990* (1810)*	1760 (800)	2980* (1350)*	1210 (550)	18 ft. 0 in. (5.48 m)	1880* (850)*	1030 (470)
-3 ft. (-1.0 m)	lb. (kg)	5480* (2490)*	5480* (2490)*	6370* (2890)*	2700 (1220)	4150* (1880)*	1700 (770)	2950* (1340)*	1190 (540)	16 ft. 8 in. (5.08 m)	2510* (1140)*	1160 (520)

NOTE: Lifting capacity are based on ISO 10567.

Lifting capacity does not exceed 75% of tipping load with the machine on firm, level ground or 87% of full hydraulic capacity.

The lift point is a hook located on the back of the bucket.

*Indicates load limited by hydraulic capacity.



World Class Products Demand World Class Dealers



The purchase of a New Holland machine is just the beginning of our relationship together. Consider your experienced New Holland Construction equipment dealer as your local partner in productivity. Assistance in selecting the right model for your operation and developing an affordable leasing or financing plan through New Holland's financing division, CNH Industrial Capital, are just a few advantages your local dealer can provide.

Your New Holland dealer's full service capabilities bring you responsive support with genuine New Holland parts and all makes

coverage. More importantly, we are there wherever and whenever you need us with our fully equipped service vehicles. From customized maintenance programs to professional operator and technical training, our factory-trained service and parts experts are there to assist you with any of your equipment support needs.

Your business deserves nothing less than world class products supported by a world class business partner. That's your local New Holland Construction equipment dealer — your partner in productivity.



Learn more at www.newholland.com

New Holland Construction
500 Diller Ave.
New Holland, PA 17557

www.newholland.com

Design, materials and/or specifications are subject to change without notice and without liability therefor. Specifications are applicable to units sold in Canada, the United States, its territories and possessions, and may vary outside these areas.

© 2018 CNH Industrial America LLC. All rights reserved. New Holland is a trademark in the United States and many other countries, owned by or licensed to CNH Industrial N.V., its subsidiaries or affiliates. Any trademarks referred to herein, in association with goods and/or services of companies other than CNH America LLC, are the property of those respective companies.



Safety begins with a thorough understanding of the equipment. Always make sure you and your operators read the Operator's Manual before using the equipment. Pay close attention to all safety and operating decals and never operate machinery without all shields, protective devices and structures in place. This is a one-person machine. Never allow riders in the cab, outside the machine, or in/on any bucket or attachment.

NHC3614537 • 061805 • OTP • PRINTED IN U.S.A.