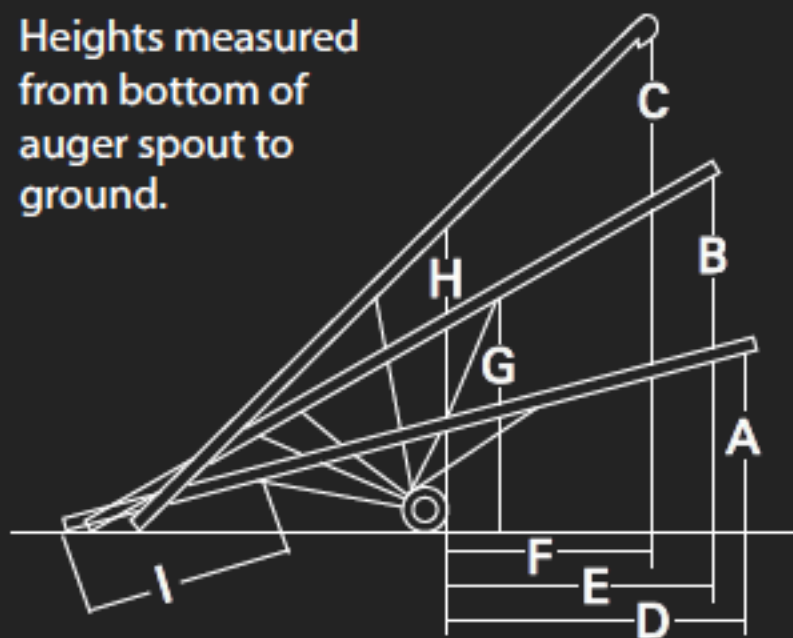


## HEIGHT, REACH & WHEEL TREAD SPECIFICATIONS

	A	B	C	D	E	F	G	H	I	WHEEL TREAD
	Height Lowered	Height Halfway	Height Raised	Reach Lowered	Reach Halfway	Reach Raised	Height at Liftarms	Height at Wheels	Intake Reach	
26'	6'5"	12'8"	17'11"	10'9"	9'5"	7'3"	7'9"	11'4"	6'10"	68"
31'	7'8"	15'1"	21'6"	13'9"	12'0"	9'3"	8'10"	12'10"	7'8"	70"
36'	9'0"	17'4"	24'10"	16'3"	14'3"	11'2"	10'0"	14'4"	8'11"	82"
41'	9'7"	20'2"	28'7"	18'8"	16'4"	12'8"	11'6"	16'4"	10'2"	88"
46'	10'10"	22'7"	31'6"	20'11"	18'3"	14'3"	12'9"	18'1"	11'6"	88"
51'	11'11"	25'0"	35'0"	23'1"	20'2"	15'10"	14'2"	19'11"	12'10"	94"
56'	11'5"	26'0"	38'0"	25'0"	21'6"	16'2"	16'10"	23'2"	13'1"	112"
61'	11'8"	28'4"	41'0"	27'4"	24'4"	19'0"	17'2"	24'3"	16'2"	112"
71'	12'10"	33'0"	47'0"	31'8"	28'1"	22'6"	19'8"	27'6"	18'5"	118"
<b>W130</b>										
*** 31'	7'7"	13'9"	19'3"	13'	11'9"	9'8"	9'	12'5"	8'	112"
*** 36'	7'10"	15'4"	22'1"	15'	14'2"	12'11"	9'6"	12'10"	11'1"	112"
41'	10'0"	19'9"	28'3"	16'5"	14'5"	11'3"	-	-	-	94"
51'	10'9"	21'10"	35'5"	22'4"	20'2"	15'3"	-	-	-	112"
61'	11'7"	25'8"	41'1"	27'5"	24'10"	20'0"	-	-	-	118"
71'	12'11"	30'10"	47'0"	32'3"	29'5"	23'1"	-	-	-	124"

Heights measured from bottom of auger spout to ground.



## DRIVE OPTIONS

	MD		EMD				PTO-BD		PTO-SD			
	6"	8"	6"	8"	10"	13"	6"	8"	6"	8"	10"	13"
26'	•	•	•	•								
31'	•	•	•	•	•	•			•	•	•	•
36'	•	•	•	•		•	•	•	•	•		•
41'	•	•	•	•	•	•	•	•	•	•	•	•
46'				•				•		•		
51'			•	•	•			•	•	•	•	•
56'				•						•		
61'			•	•	•				•	•	•	•
71'				•	•					•	•	•

## HORSEPOWER REQUIREMENTS

	6"			8"			10"		13"	
	GAS HP	PTO HP	ELEC. HP	GAS HP	PTO HP	ELEC. HP	GAS HP	ELEC. HP	PTO HP	ELEC. HP
26'	10	-	3	14	-	3-5	-	-	-	-
31'	10	-	3	16	-	5	30	7.5-10	40	20
36'	12	-	3	16	-	5-7.5	-	-	40-50	20-25
41'	12	-	3	16	-	5-7.5	40	10-15	50	25
46'	-	-	-	18	-	7.5	-	-	-	-
51'	-	20	5	18	-	7.5	45	15-20	70	NA
56'	-	-	-	-	30	10	-	-	-	-
61'	-	25	7.5	-	35	10	55	20	80	NA
71'	-	-	-	-	45	15	60	20-25	90	NA

Under reasonable conditions high moisture grain will require more horsepower



# SAFETY FIRST!

We know you work long and hard, especially during harvest. Please take the time to put safety first:

Westfield augers are designed with operator safety in mind and incorporate many safety features. Everyone operating an auger must read and understand the operator's manual and safety decals before attempting to operate the unit. Do not modify this implement in any way. Use only for intended purposes. Keep all safety shields in place while operating. Never operate with any safety shields or guard removed or modified. Never transport the unit in a raised position. Check overhead before raising. Never attempt to service the auger while it is running. Keep children, pets and untrained personnel away from work area.