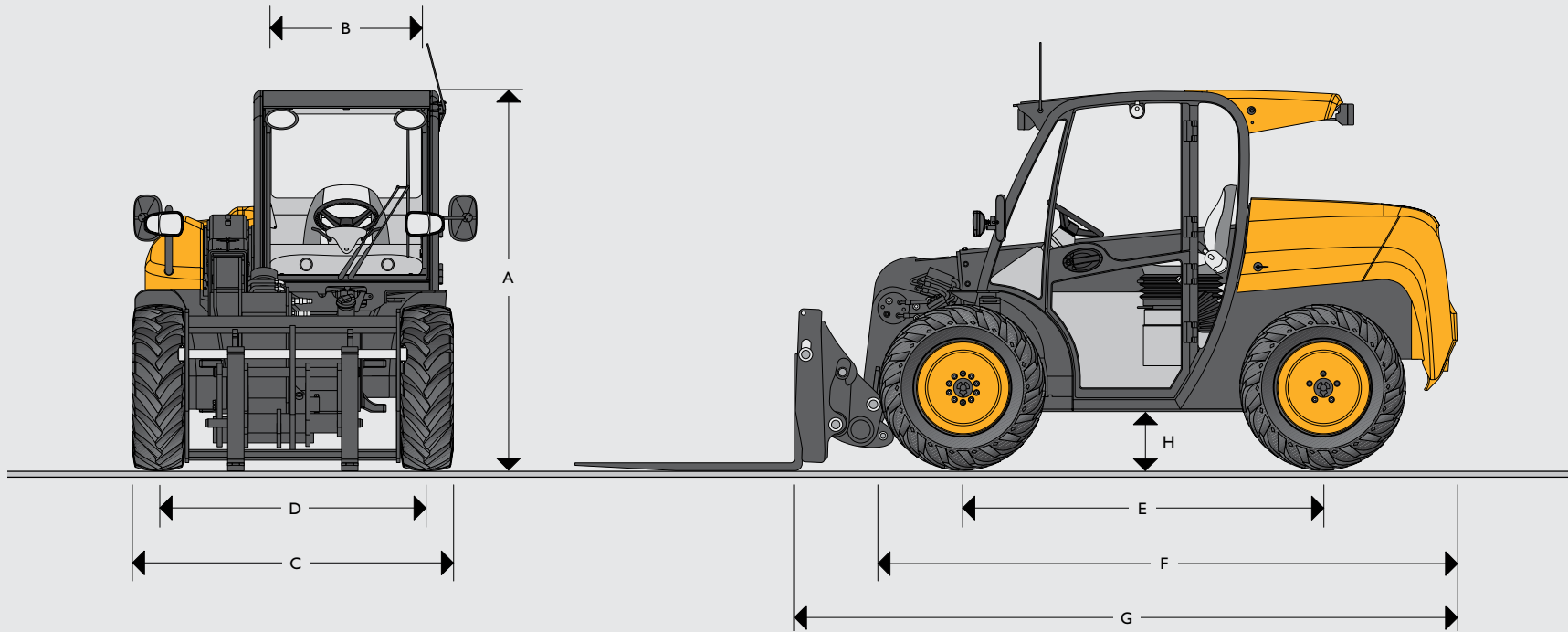




## TELESCOPIC HANDLER | 504-13 LOADALL

Gross power: 39 hp (29 kW) | Lift capacity: 4,000 lb (1,815 kg) | Maximum lift height: 13'3" (4.04 m)





#### STATIC DIMENSIONS

Model		504-13
A	Overall height	ft-in (m) 6-6 (1.97)
A	Overall height with wiper	ft-in (m) 6-6 (1.97)
B	Inside width of cab	ft-in (m) 3-0 (0.92)
C	Width (over tires)*	ft-in (m) 5-1 (1.56)
D	Front track	ft-in (m) 4-3 (1.3)
E	Wheelbase	ft-in (m) 6-3 (1.90)
F	Overall length to front of tires	ft-in (m) 9-6 (2.92)
G	Overall length to front of carriage	ft-in (m) 11-1 (3.38)
H	Ground clearance	ft-in (m) 11-0 (0.27)
	Outside turn radius (over tires)	ft-in (m) 10-0 (3.05)
	Weight	lb (kg) 9,700 (4,400)
	Carriage rollback angle	degrees 38/31*
	Carriage dump angle	degrees 33/40*
	Tires	traction 11.5/80-15.3
	Tires	industrial 10x16.5
	Tires	semi-turf

\* Compact Loadall Quickhitch/Skid Steer Quickhitch

#### LIFT PERFORMANCE

Model		504-13
	Lift capacity to full height	lb (kg) 4,000 (1,815)
	Lift capacity at full reach	lb (kg) 1,875 (850)
	Payload at 6.5 ft (2.0 m) boom extension	lb (kg) 1,875 (850)
	Maximum lift height	ft-in (m) 13-3 (4.04)
	Reach at maximum lift height	ft-in (m) 2-11 (0.89)
	Maximum forward reach	ft-in (m) 8-11 (2.72)

Complies with stability test ANSI B56.6

ENGINE		
		<b>504-13</b>
Manufacturer		Perkins
Model		403F-E17T
Displacement	l	1.7
Fuel		Diesel
Cooling		Liquid
Bore	in (mm)	3.3 (84)
Stroke	in (mm)	3.9 (100)
Gross power @ 2800 RPM (ISO 14396)	hp (kW)	39 (29)
Gross torque @ 1800 RPM (ISO 14396)	Nm	120
Emission certification		T4F
Engine oil service intervals		500 hrs

TRANSMISSION		
		<b>504-13</b>
Type		Hydrostatic
Model		Rexroth AA4VG4
<b>Travel speed</b>		
Low range	mph (km/h)	6 (10)
High range	mph (km/h)	10 (20)
Steering modes		4WS
Wheel drive		4WD

ELECTRICAL SYSTEM		
		<b>504-13</b>
System voltage	V	12
Alternator output	Ah	85
Battery capacity	Ah	80

HYDRAULICS		
		<b>504-13</b>
Main service pump operating pressure	bar (psi)	3,625 (250)
Flow at system pressure (@2800 rpm)	gal/min (l/min)	15.9 (60)
Maximum auxiliary flow (@2800 bar)	gal/min (l/min)	15.9 (60)
<b>Cycle times</b>		
Boom raise	Seconds	6.7
Boom lower	Seconds	4.3
Extend	Seconds	6.7
Retract	Seconds	3.7
Bucket dump	Seconds	3.9
Bucket crowd	Seconds	3.5

SERVICE CAPACITIES		
		<b>504-13</b>
Fuel tank	gal (l)	16.1 (61)
Hydraulic tank	gal (l)	8.7 (33)
Engine oil sump	gal (l)	1.2 (5.5)
Engine coolant system	gal (l)	5.8 (22)

BRAKES	
	<b>504-13</b>
Service brakes	Hydraulically activated disc brake on the transmission output shaft
Parking brake	Manually operated disc brake on the transmission output shaft

BOOM AND CARRIAGE	
	<b>504-13</b>
Compact tool carrier - manual pin locking	•
Compact tool carrier - hydraulic pin locking	•
Skid steer hitch - manual pin locking	•
Boom is manufactured from high tensile steel. Low maintenance, hard wearing pads. JCB compact tool carrier parallel lift carriage with manual or hydraulic pin locking, accepts forkframe with integral pallet forks and a wide range of attachments. Compact Tool Carrier: Compact Loadall compatibility. Skid Steer Tool Carrier: Skid steer universal compatibility hitch.	

CAB
Quiet, safe and comfortable cab conforms to ROPS ISO3471 and FOPS ISO 3449. Arm rest. Tinted glass all round with laminated front and roof screen. Front, rear screen wash/wipe and heater/screen demister. Opening door window. Optional air-conditioning or face-level fan. Visual warning system for coolant temperature, engine oil pressure, air cleaner, battery charge, transmission oil pressure, engine temperature, fuel gauge and hourmeter. Boom control joystick incorporating forward/reverse switch. Throttle and brake pedals floor mounted. Optional fabric or vinyl adjustable, suspension seat with side mounted park brake lever.

OPTIONS AND ACCESSORIES
<b>Options:</b> Road lights, work lights, rotating flashing beacon, fire extinguisher, front screen guard, sun blind, traction, industrial or semi-turf tires, mechanical or hydraulic compact tool carrier quickhitch or Skid Steer quickhitch, battery isolator, air conditioning, face level fan, radio/speaker kit, reverse alarm, high-vis mirror, wheel chock, grease gun, lifting points.
<b>Attachments:</b> GP shovel with toeplate, industrial or floating forks, power grab, sweeper/collector and more.



**ONE COMPANY, MORE THAN 300 MACHINES.**

Your nearest JCB Dealer

**TELESCOPIC HANDLER | 504-13 LOADALL**

Gross power: 39 hp (29 kW) Lift capacity: 4,000 lb Maximum lift height: 13'3" (4.04 m)

**JCB North America**

2000 Bamford Blvd., Savannah, Georgia, 31322 Tel: (912) 447-2000

Download the very latest information on this product range at [www.jcb.com](http://www.jcb.com)

JCB inc. All rights reserved. No part of this publication may be reproduced, stored in a retrieval system, or transmitted in any form or by any other means, electronic, mechanical, photocopying or otherwise, without prior permission from JCB inc. All references in this publication to operating weights, sizes, capacities and other performance measurements are provided for guidance only and may vary dependant upon the exact specification of machine. They should not therefore be relied upon in relation to suitability for a particular application. Guidance and advice should always be sought from your JCB Dealer. JCB reserves the right to change specifications without notice. Illustrations and specifications shown may include optional equipment and accessories. The JCB logo is a registered trademark of J.C. Bamford Excavators Ltd.

07/18 en-US Issue 6 DWUSA 4990

 /JCBNA 
  /JCBNA 
  /JCBNORTHAMERICA

