

BUSH HOG®

LAND MAINTENANCE REPAIR PARTS MANUAL

**MODEL: ATH
SECTION: 39**



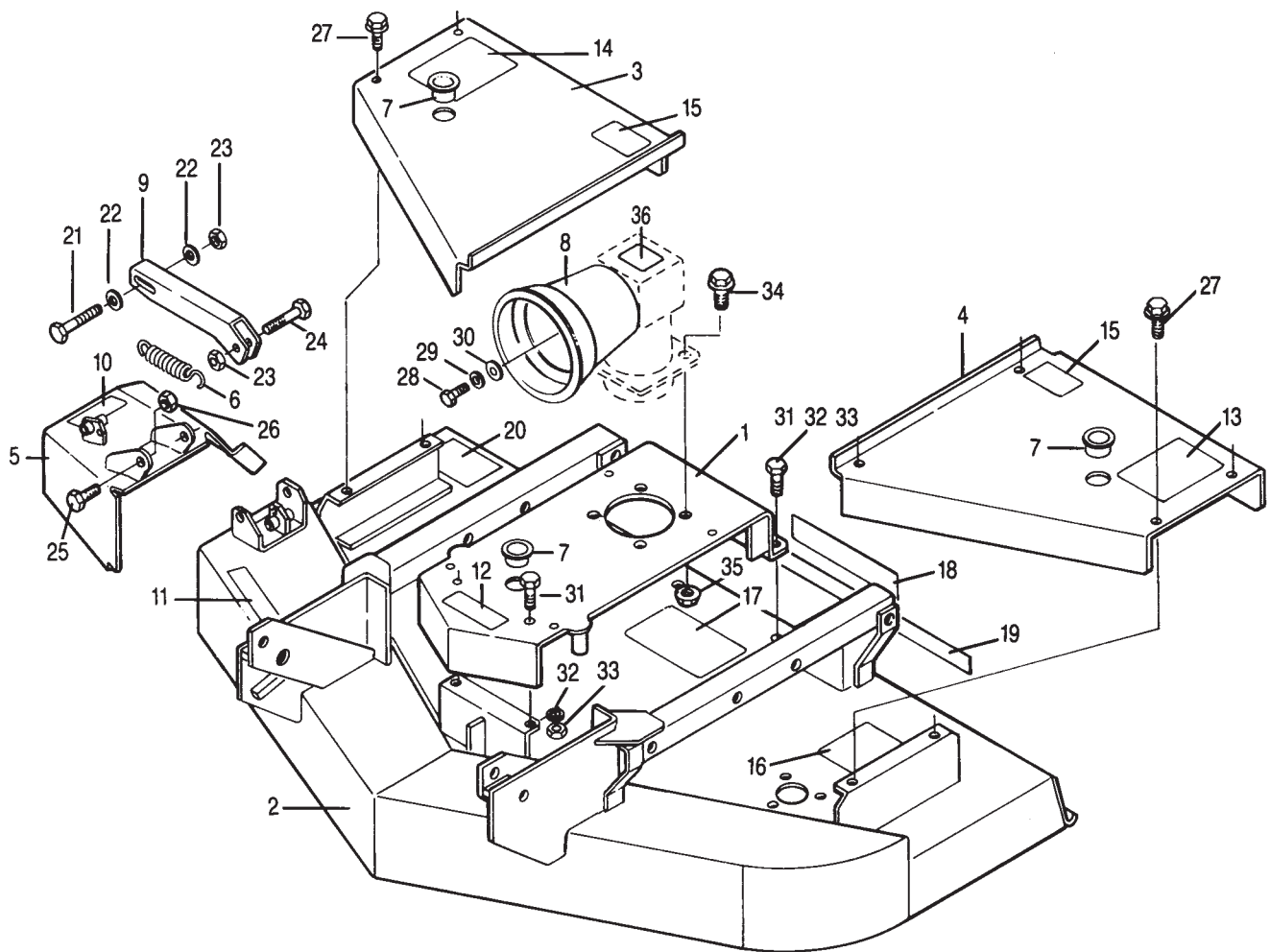
BUSH HOG®

2501 Griffin Ave. • Selma, AL 36703
(334) 872-6261 • (334) 874-2700
Parts Ordering 1-800-304-2836
Fax 1-800-572-1784
www.bushhog.com

ATH 600, ATH 720, ATH 900

ALPHABETICAL INDEX

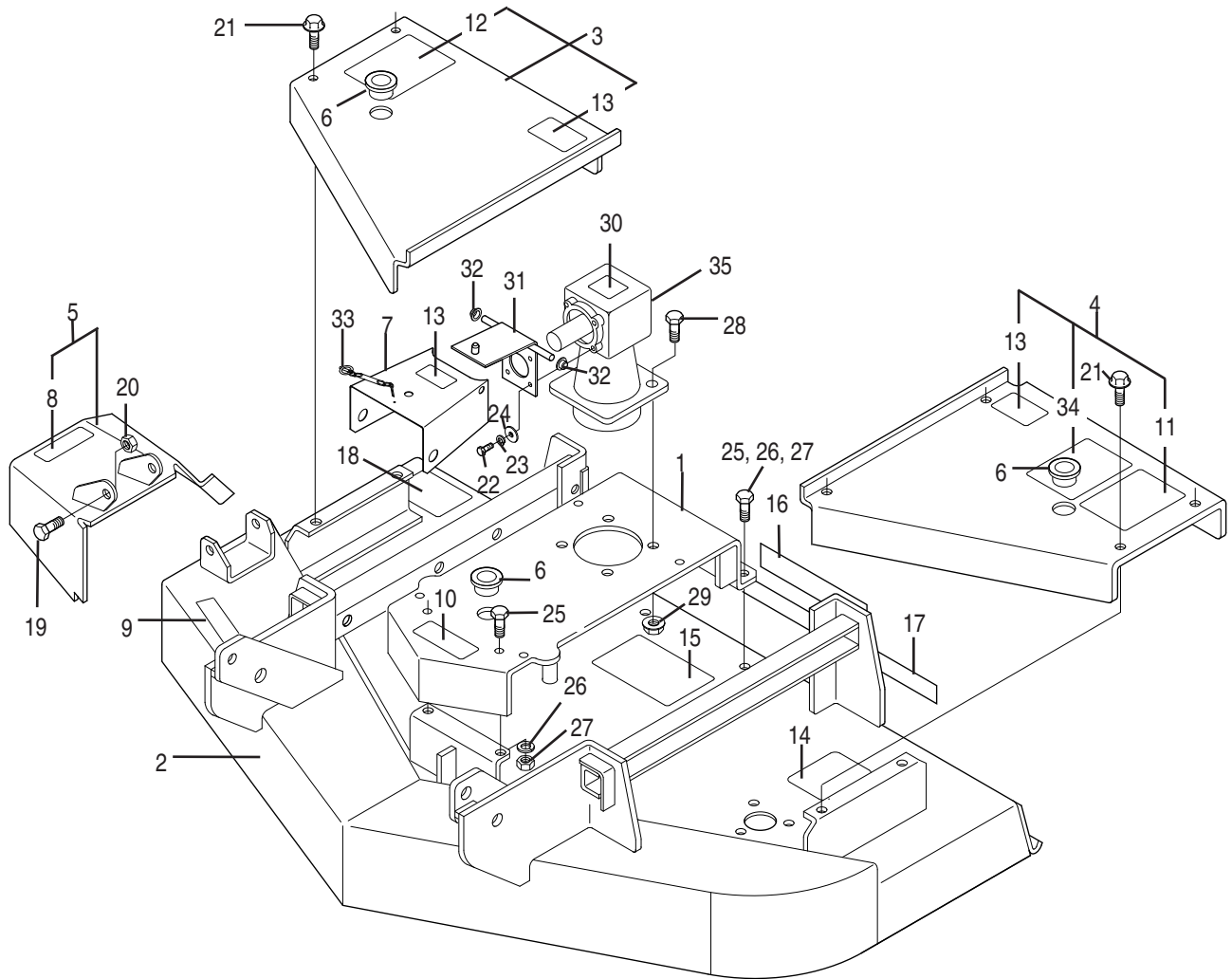
CONTENTS	PAGE
Base Frame	
ATH 600 & 720 (OLD STYLE)	39-1-1
ATH 600 & 720 (NEW STYLE)	39-1-2, 39-1-3
ATH 900	39-1-4, 39-1-5
Belts, Drive	
ATH 600 & 720	39-2-1
ATH 900	39-2-2
Caster Arms and Wheels	
ATH 600 & 720 (OLD STYLE)	39-6-1
ATH 600 & 720 (NEW STYLE)	39-6-2
ATH 900	39-6-3
Decals; Safety, Warning, Danger	
ATH 600 & 720 (OLD STYLE)	39-1-1, 39-1-2
ATH 600 & 720 (NEW STYLE)	39-1-3, 39-1-4
ATH 900	39-1-5 through 39-1-7
Driveshaft Assemblies	
ATH 600 & 720 (Bondioli & Pavesi)	39-4-1, 39-4-2
ATH 600 & 720 (EG)	39-4-4, 39-4-5
ATH 900 (Bondioli & Pavesi)	39-4-3
ATH 900 (EG)	39-4-5
Gear Box Assemblies	
ATH 600 & 720	39-3-1
ATH 900	39-3-2
Mast & Supports	
ATH 600 & 720	39-5-1
ATH 900	39-5-2
Pulleys (Drive & Idlers)	
ATH600 & 720	39-2-1
ATH 900	39-2-2
Roller, Front	
ATH 600 & 720	39-7-1
ATH 900	39-7-2
Shields, Safety	
ATH 600 & 720 (OLD STYLE)	39-1-1, 39-1-2
ATH 600 & 720 (NEW STYLE)	39-1-3, 39-1-4
ATH 900	39-1-5 through 39-1-7
Spindle Assembly	
ATH 600 & 720	39-2-3
ATH 900	39-2-4, 39-2-5



**ATH 600 & ATH 720
BASE FRAME AND SHIELDING**
ATH 600 MODELS SERIAL NO'S. 12-00557 AND LOWER (OBS)
ATH 720 MODELS SERIAL NO'S. 12-00896 AND LOWER (OBS)

REF. NO.	PART NO.	QTY.	DESCRIPTION	REF. NO.	PART NO.	QTY.	DESCRIPTION
1	5005182	1	Gearbox Mount w/Decal ATH 600	16	50012616	2	Danger Decal
	5005205	1	Gearbox Mount w/Decal ATH 720	17	88655	1	Decal - Belt Installation
2	88841	1	Deck w/Decals ATH 600	18	12115	1	Bush Hog Decal
	88770	1	Deck w/Decals ATH 720	19	88659	1	Stripe & Model No. Decal ATH 600
3	5005174	1	Right Shield w/Decals ATH 600		88658	1	Stripe & Model No. Decal ATH 720
	5005194	1	Right Shield w/Decals ATH 720	20	82619	1	Danger Decal
4	5005178	1	Left Shield w/Decals ATH 600	21	—	1	Capscrew 5/16" x 2 1/2" Gr. 5
	5005198	1	Left Shield w/Decals ATH 720	22	—	2	Flatwasher 5/16"
5	88745	1	Grass Shield w/Decal ATH 600	23	09161000	2	Locknut 5/16"
	88769	1	Grass Shield w/Decal ATH 720	24	—	1	Capscrew 5/16" x 1" Gr.5
6	88664	1	Spring	25	—	2	Capscrew 3/8" x 1" Gr. 5
7	88660	3	Plug	26	09131200	2	Locknut 3/8"
8	88661	1	Input Shield	27	86873	8	Capscrew, Flanged 3/8" x 3/4"
9	88684	1	Spring Cover	28	44215	4	Capscrew M8 x 1.25 x 15
10	83056	1	Warning Decal - Grass Shield	29	44311	4	Lockwasher M8
11	88657	1	Model Decal ATH 600	30	44216	4	Flatwasher M8
	88656	1	Model Decal ATH 720	31	—	4	Capscrew 1/2" x 1 1/2" Gr.5
12	60873	1	540 RPM Decal	32	—	4	Lockwasher 1/2"
13	82617	1	Warning Decal, Left Side	33	—	4	Hex Nut 1/2"
14	82618	1	Warning Decal, Right Side	34	15615	4	Capscrew 1 3/4" x 5/8"
15	50012615	2	Warning Decal	35	20414	4	Locknut, Flanged 5/8"
				36	89477	1	Gearbox Warranty Decal

**ATH 600 & ATH 720
BASE FRAME & SHIELDING**
ATH600 Models Serial No. 12-00558 & Above
ATH720 Models Serial No. 12-00897 & Above



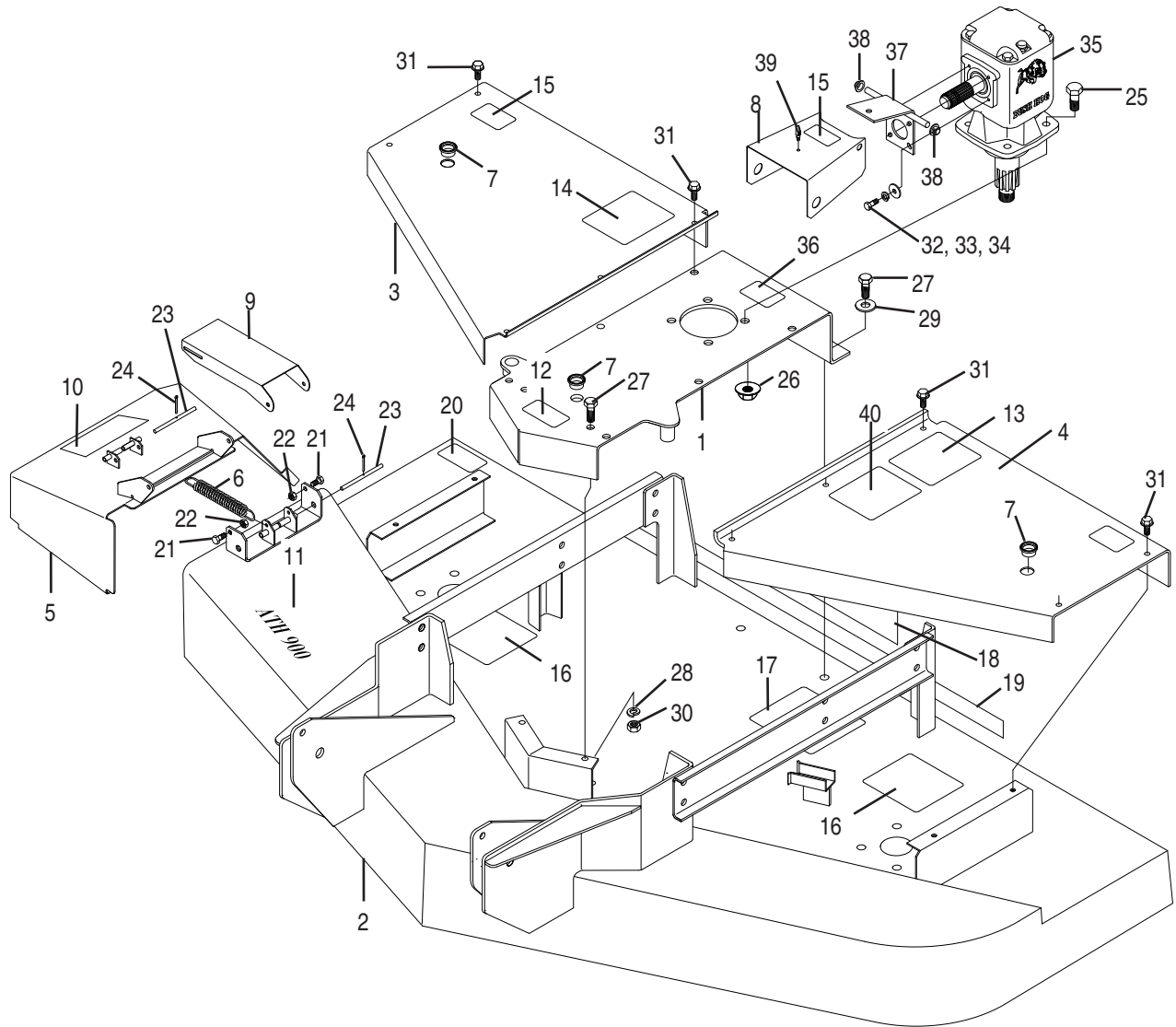
ATH 600 & ATH 720 BASE FRAME & SHIELDING

ATH600 Models Serial No. 12-00558 & Above

ATH720 Models Serial No. 12-00897 & Above

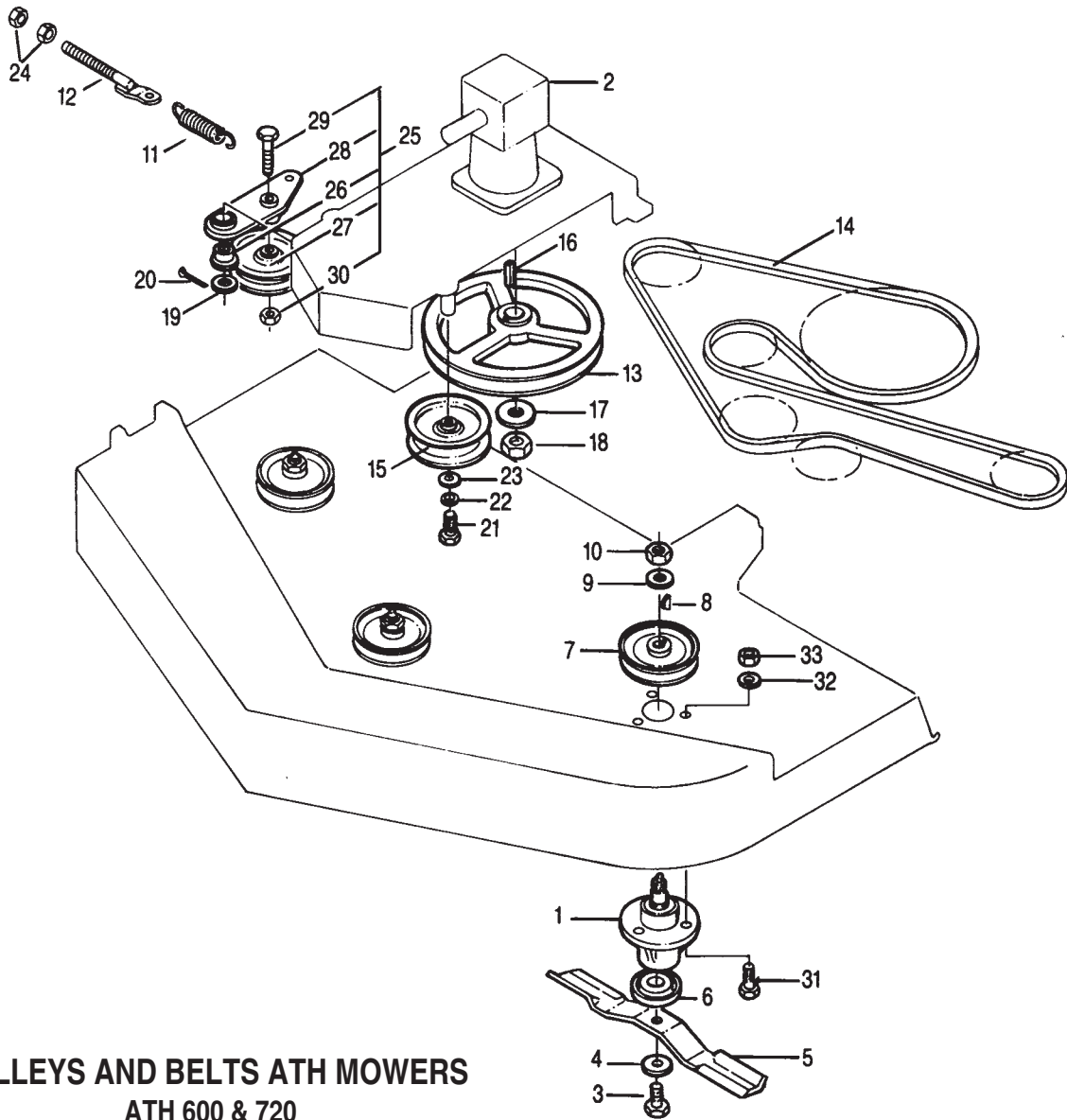
NO.	REF.		PART NO QTY.	PART NO. DESCRIPTION
	ATH 600	ATH 720		
1	50055182	50055205	1	Gearbox Mount w/ Decal
2	n/a	n/a	1	Deck Weld. w/ Decals
3	50055174	50055194	1	Right Shield w/Decals
4	50055178	50055198	1	Left Shield w/ Decals
5	50055170	50055190	1	Grass Shield w/ Decal
6	88660	88660	3	Plug
7	94306	94306	1	Input Shield
8	83056	83056	1	Warning Decal - Grass Shield
9	88657	—	1	Model Decal ATH 600
	—	88656	1	Model Decal ATH 720
10	50042281	50042281	1	540 RPM Decal
11	50042284	50042284	1	Warning Decal (Left Side)
12	50042283	50042283	1	Warning Decal (Right Side)
13	50012615	50012615	3	Warning Decal
14	50012616	50012616	2	Danger Decal
15	88655	88655	1	Decal, Belt Installation
16	50055113	50055113	1	Bush Hog Decal
17	88659	—	1	Stripe & Model Decal ATH 600
	—	88658	1	Stripe & Model Decal ATH 700
18	50042282	50042282	1	Danger Decal
19	—	—	2	Capscrew 3/8" x 1" Gr.5
20	09131200	09131200	2	Locknut 3/8"
21	86873	86873	8	Capscrew, Flanged 3/8" x 3/4"
22	44215	44215	4	Capscrew M8 x 1.25 x 15
23	44311	44311	4	Lockwasher M8
24	44216	44216	4	Flatwasher M8
25	—	—	4	Capscrew 1/2" x 1 1/2"
26	—	—	4	Lockwasher 1/2"
27	—	—	4	Hex Nut 1/2"
28	15615	15615	4	Capscrew 5/8" x 1-3/4"
29	20414	20414	4	Locknut, Flanged 5/8"
30	50057096	50057096	1	Warranty Decal, 5 Yr.
31	94305	94305	1	Shield Mount
32	50014067	50014067	2	Cap, Friction
33	6050096	6050096	1	Pin & Chain Assembly
34	50042285	50042285	1	Warning Decal
35	50069162	50069162	1	Gearbox Assembly

ATH 900 BASE FRAME ASSEMBLY



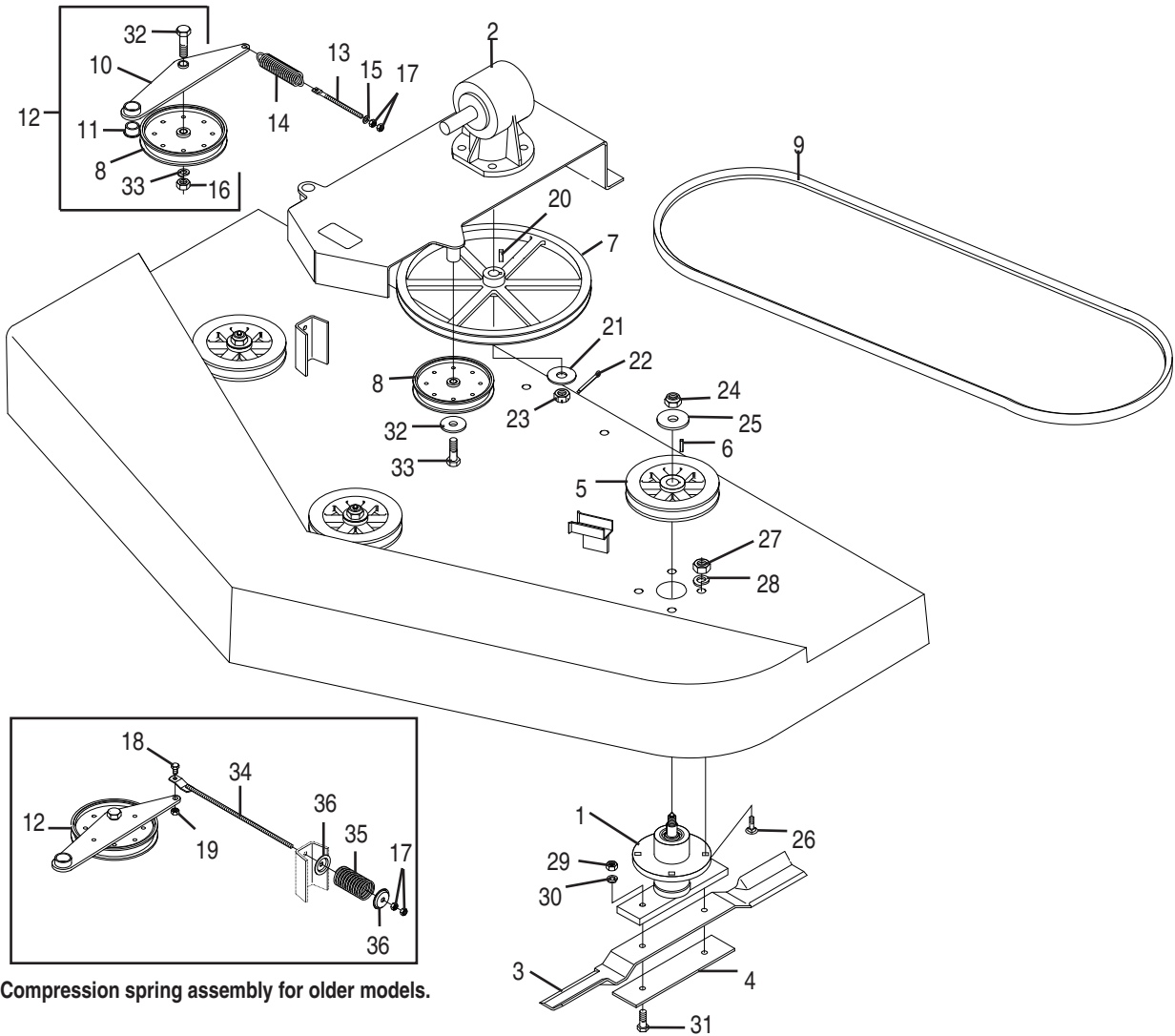
ATH 900 BASE FRAME ASSEMBLY

REF. NO.	PART NO.	QTY.	DESCRIPTION
1	90783	1	Gearbox Mount w/ Decals
2	50055206	1	Deck w/ Decals, Blue
	50055207	1	Deck w/ Decals, Green
	50055208	1	Deck w/ Decals, Orange
	50055209	1	Deck w/ Decals, Red
3	50058171	1	Right Shield w/ Decals, Blue
	50058172	1	Right Shield w/ Decals, Green
	50058173	1	Right Shield w/ Decals, Orange
	50058174	1	Right Shield w/ Decals, Red
4	50058175	1	Left Shield w / Decals, Blue
	50058176	1	Left Shield w/ Decals, Green
	50058177	1	Left Shield w/ Decals, Orange
	50058178	1	Left Shield w/ Decals, Red
5	50064956	1	Grass Shield w/ Decals, Blue
	50064957	1	Grass Shield w/ Decals, Green
	50064958	1	Grass Shield w/ Decals, Orange
	50064959	1	Grasss Shield w/ Decals, Red
6	88664	2	Spring
7	88660	3	Plug
8	98251	1	Input Shield
9	90741	1	Spring Cover
10	83056	1	Warning Decal - Grass Shield
11	90790	1	Model Decal
12	50042281	1	540 RPM Decal
13	50042284	1	Warning Decal, Left Shield
14	50042283	1	Warning Decal, Right Shield
15	50012615	2	Warning Decal
16	50012616	2	Danger Decal
17	88655	1	Belt Installation Decal
18	50055113	1	Bush Hog Decal
19	90791	1	Stripe & Model Decal
20	50042282	1	Danger Decal
21	—	2	Capscrew 3/8" x 1" Gr. 5
22	20363	2	Locknut 3/8"
23	90740	2	Pin
24	—	2	Cotter Pin 1/8" x 1"
25	—	4	Capscrew 5/8" x 1 3/4" Gr.5
26	20414	4	Locknut Flanged 5/8"
27	—	4	Capscrew 1/2" x1 1/2" Gr.5
28	—	4	Lockwasher 1/2"
29	—	2	Flatwasher 1/2"
30	—	4	Hex Nut 1/2"
31	86873	10	Capscrew, Flanged 3/8" x 3/4"
32	—	4	Capscrew 5/16" x 5/8"
33	—	4	Lockwasher 5/16"
34	—	4	Flatwasher 5/16"
35	71328	1	Gearbox Assembly
36	50057096	1	Warranty Decal, 5 Year
37	50031934	1	Shield Mount
38	50014067	2	Cap, Friction
39	98284	1	Swell Latch
40	50042285	1	Warning Decal



**PULLEYS AND BELTS ATH MOWERS
ATH 600 & 720**

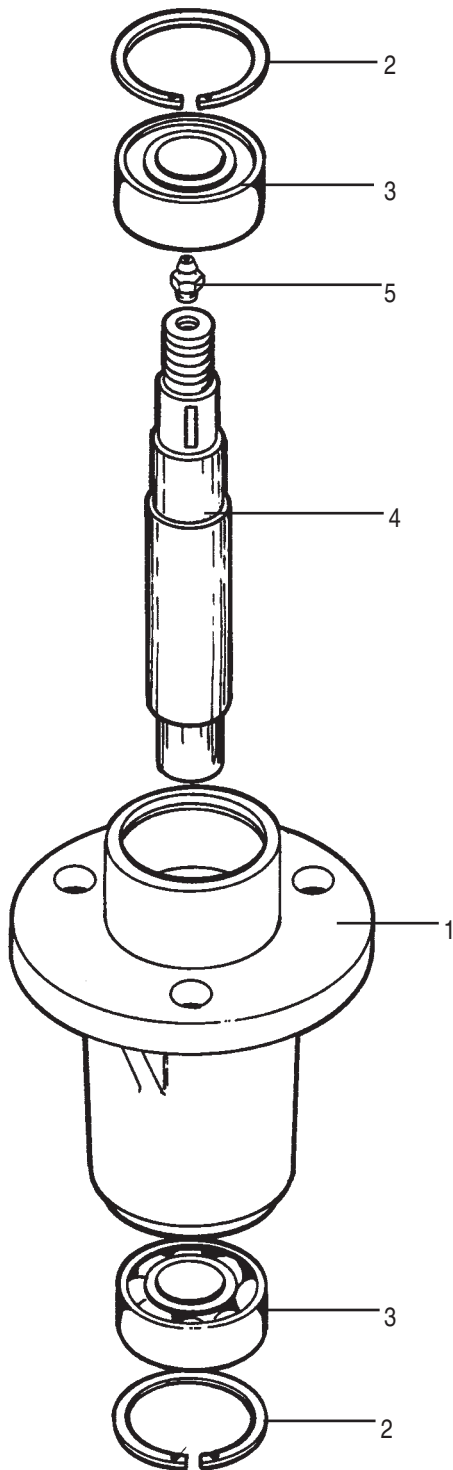
REF. NO.	PART NO.	QTY.	DESCRIPTION	REF. NO.	PART NO.	QTY.	DESCRIPTION
1	50051388	3	Spindle Assembly	16	70288	1	Key
2	-----	1	Gear Box (See Base Frame Assy)	17	70286	1	Spring Washer
3	44506	3	Capscrew 1/2" x 1-3/4" UNF Gr. 8	18	70287	1	Hex Nut M30 x 2
4	44040	3	Safety Washer, Heavy Duty	19	20376	1	Flatwasher 1"
5	88668	3	Blade -21" ATH 600 - 60" Cut	20	---	1	Cotter Pin 3/16" x 1 1/2"
	88773	3	Blade -25" ATH 720 - 72" Cut	21	---	1	Capscrew 5/8" x 2" Gr.5
6	88754	3	Blade Washer	22	---	1	Lockwasher 5/8"
7	88756	3	Sheave	23	6050133	1	Special Washer
8	88753	3	Woodruff Key	24	---	2	Hex Nut 3/8"
9	20748	3	Flatwasher 5/8"	25	88671	1	Idler Arm Assy.
10	09161200	3	Locknut 5/8"	26	88691	1	Bushing
11	50008038	1	Spring	27	88663	1	Idler Pulley
12	88669	1	Rod Weldment	28	88703	1	Idler Arm Weld.
13	88666	1	Drive Sheave ATH 600	29	---	1	Capscrew 5/8" x 3" Gr.5
	88741	1	Drive Sheave ATH 720	30	15598	1	Locknut 5/8"
14	88667	1	Drive Belt ATH 600	31	---	9	Capscrew 1/2" x 1 1/2" Gr.5
	88843	1	Drive Belt ATH 720	32	---	9	Lockwasher 1/2"
15	88663	1	Idler Pulley	33	15554	9	Locknut 1/2"



Compression spring assembly for older models.

**PULLEYS & BELTS
ATH 900 Model**

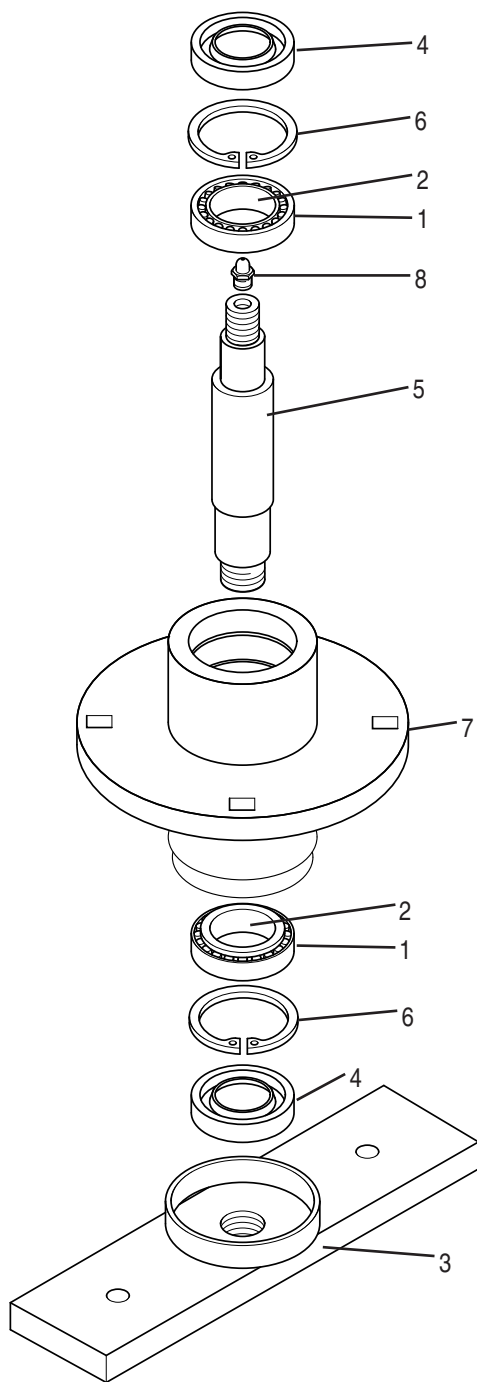
REF. NO.	PART NO.	QTY.	DESCRIPTION	REF. NO.	PART NO.	QTY.	DESCRIPTION
1	95288	1	Spindle Assy.	19	20363	1	Locknut 3/8"
2	-----	1	Gearbox (See Base Frame Assy)	20	1269	1	Key 1/4" Sq. x 1 1/2"
3	90718	3	Blade	21	81646	1	Blade Washer
4	90731	3	Blade Support	22	71342	1	Cotter Pin
5	90702	3	Pulley, Blade Spindle	23	88873	1	Castle Nut
6	90732	3	Key, 1/4" Sq. x 1"	24	09162400	3	Locknut 3/4"
7	90698	1	Drive Pulley	25	15920	3	Flatwasher
8	6050097	2	Flat Idler Assy.	26	44236	12	Carriage Bolt 5/8" x 2" Gr. 5
9	90699	1	Drive Belt	27	15598	12	Locknut 5/8"
10	90734	1	Idler Arm Weld.	28	-----	12	Lockwasher 5/8"
11	88691	1	Bushing	29	15554	6	Locknut 1/2"
12	90792	1	Idler Arm Assy.	30	-----	6	Lockwasher 1/2"
13	88669	1	Tension Rod	31	-----	6	Capscrew 1/2" x 2" Gr. 5
14	50003378	1	Extension Spring	32	-----	1	Capscrew 5/8" x 3" Gr. 5
15	-----	1	Flatwasher 3/8"	33	-----	1	Lockwasher 5/8"
16	-----	1	Hex Nut 5/8"	34	90802	1	Rod Weldment
17	-----	2	Hex Nut 3/8"	35	90805	1	Compression Spring
18	-----	1	Capscrew 3/8" x 1" Gr. 5	36	91414	2	Spring Cup



50051388 SPINDLE ASSEMBLY
ATH 600, 720 Models
Replaces 88757 Spindle Assembly (Obsolete)

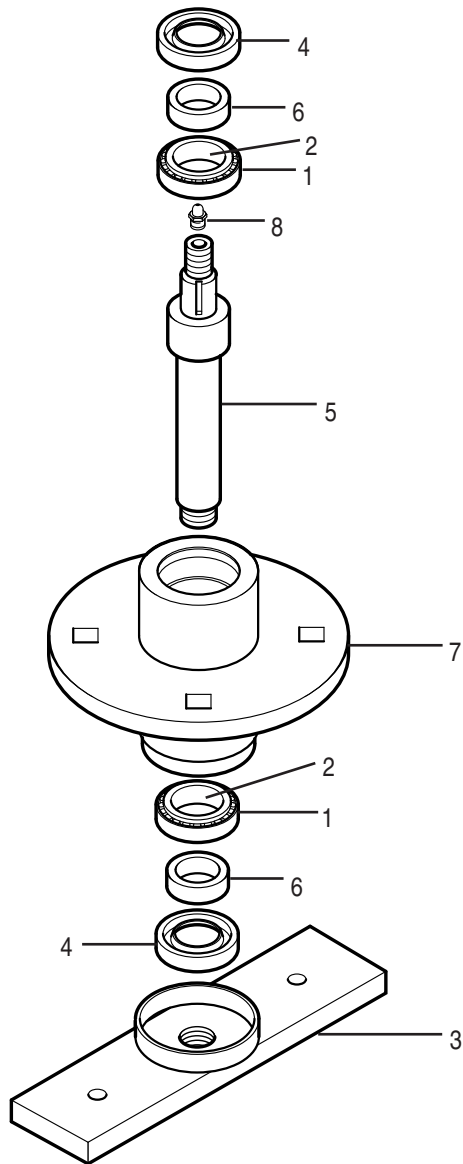
REF. NO.	PART NO.	QTY.	DESCRIPTION
1	88751	1	Spindle Housing
2	97685	2	Retaining Ring
3	88749	2	Bearing 25mm
4	50051387	1	Shaft
5	449	1	Grease Fitting

90777 SPINDLE ASSEMBLY
For ATH 900
Replaced by 95288 Spindle Assembly



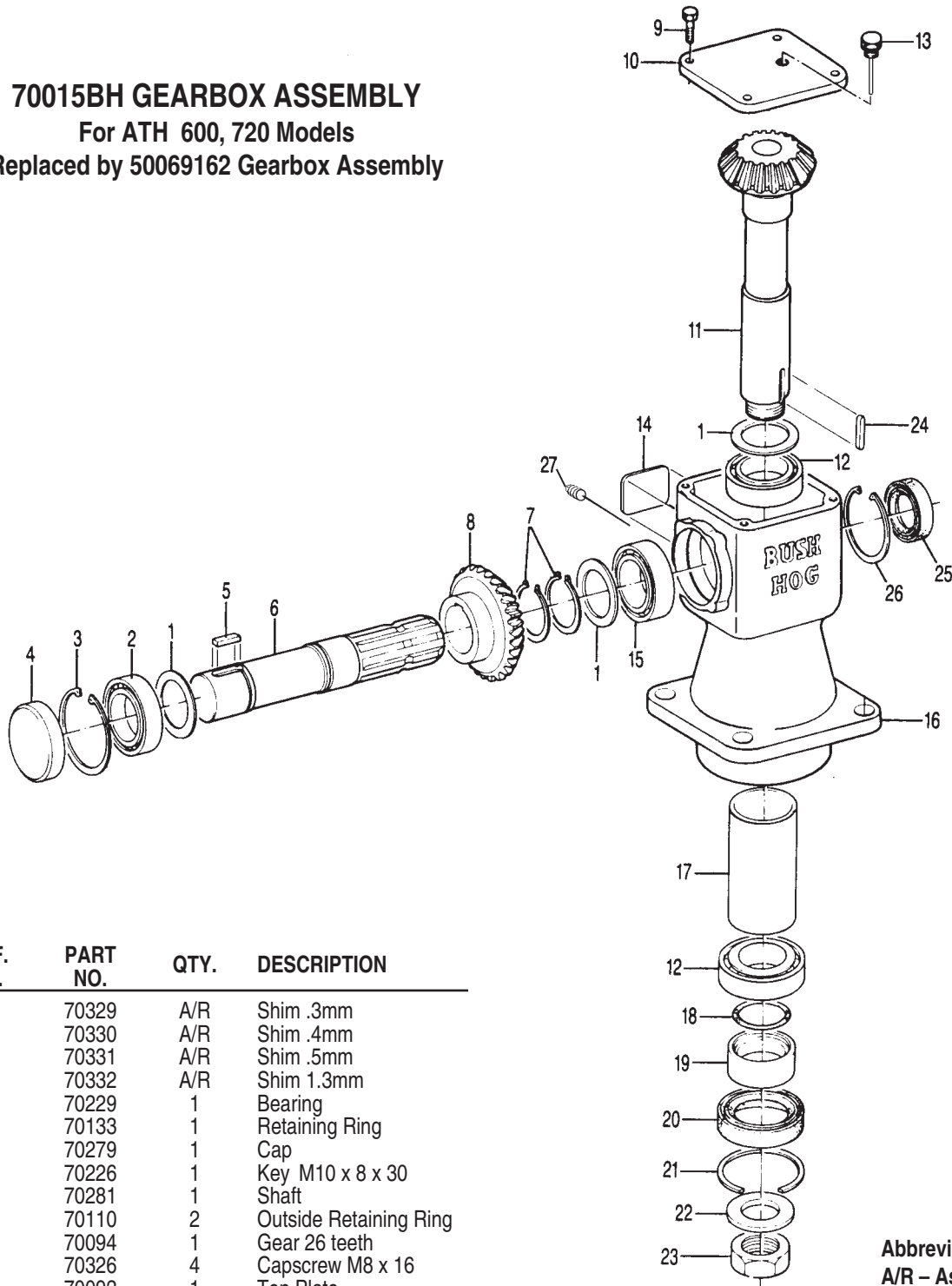
REF. NO.	PART NO.	QTY.	DESCRIPTION
1	14-6-197	2	Bearing Cup
2	50076	2	Bearing Cone
3	95287	1	Blade Mount Weld.
4	90700	2	Grease Seal
5	90696	1	Shaft
6	90717	2	Retaining Ring
7	90695	1	Spindle Housing
8	150002	1	Grease Fitting

95288 SPINDLE ASSEMBLY
For ATH 900



REF. NO.	PART NO.	QTY.	DESCRIPTION
1	14-6-197	2	Bearing Cup
2	50076	2	Bearing Cone
3	95287	1	Blade Mount Weldment
4	95281	2	Grease Seal
5	95280	1	Shaft
6	95285	1	Spacer
7	95284	1	Spindle Housing
8	150002	1	Grease Fitting

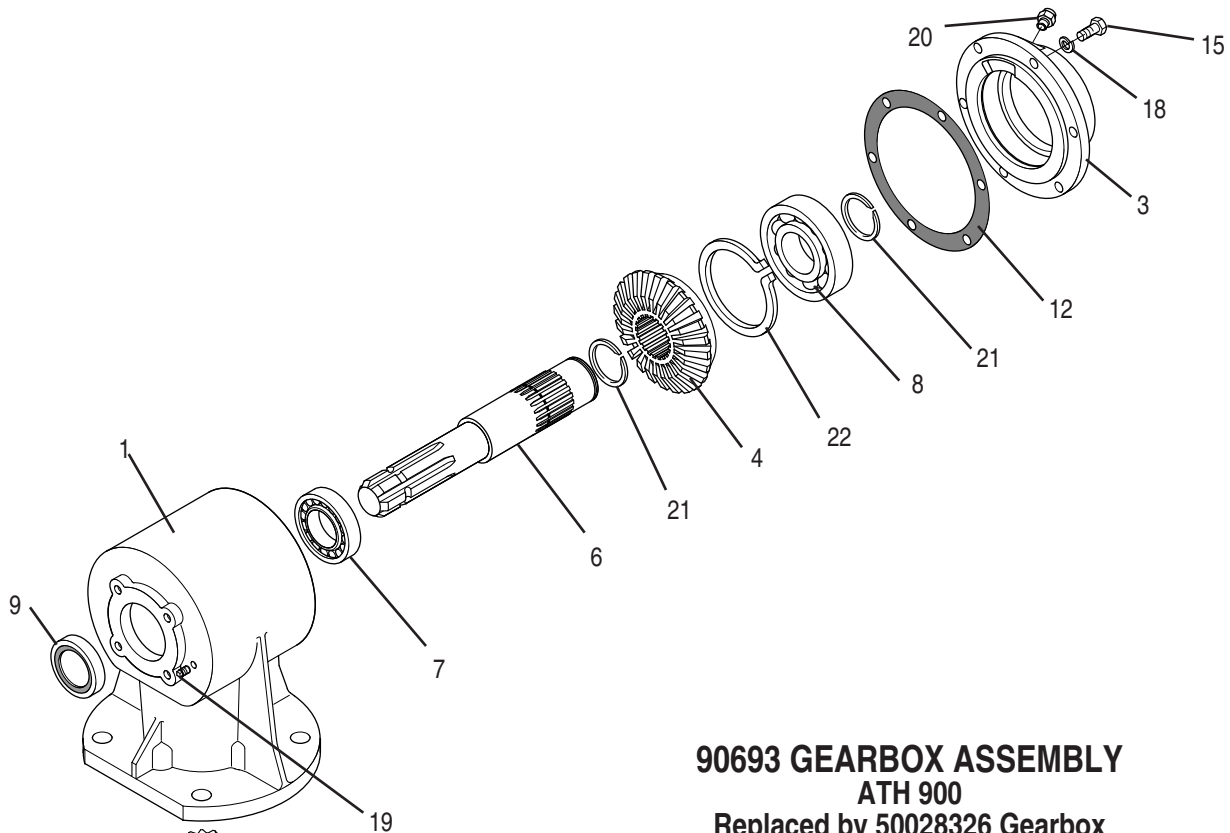
70015BH GEARBOX ASSEMBLY
 For ATH 600, 720 Models
 Replaced by 50069162 Gearbox Assembly



REF. NO.	PART NO.	QTY.	DESCRIPTION
1	70329	A/R	Shim .3mm
	70330	A/R	Shim .4mm
	70331	A/R	Shim .5mm
	70332	A/R	Shim 1.3mm
2	70229	1	Bearing
3	70133	1	Retaining Ring
4	70279	1	Cap
5	70226	1	Key M10 x 8 x 30
6	70281	1	Shaft
7	70110	2	Outside Retaining Ring
8	70094	1	Gear 26 teeth
9	70326	4	Capscrew M8 x 16
10	70092	1	Top Plate
11	70282	1	Pinion 12 teeth
12	70082	2	Bearing
13	70393	1	Vent Plug
14	N/A	1	Serial No. Plate
15	70129	1	Bearing
16	70283	1	Housing
17	70284	1	Spacer Ring
18	70081	1	Gasket
19	70285	1	Bushing
20	70080	1	Seal
21	70079	1	Shoulder Ring

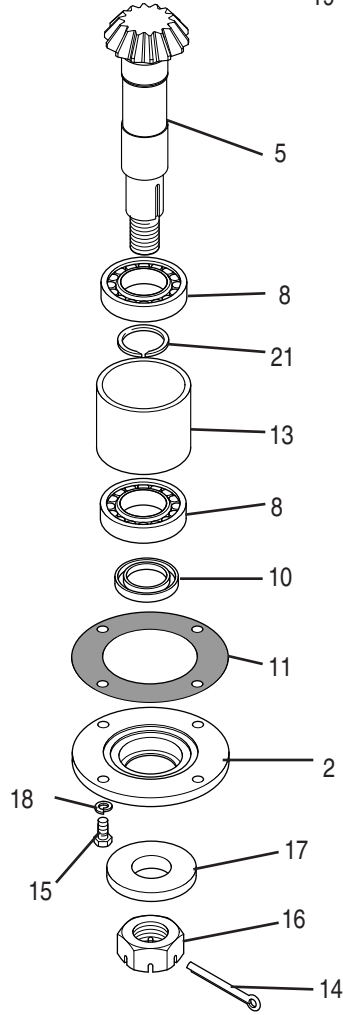
REF. NO.	PART NO.	QTY.	DESCRIPTION
22	70286	1	Spring Washer
23	70287	1	Hex Nut
24	70288	1	Key 6 x 6 x 30 mm
25	70290	1	Seal
26	70291	1	Retaining Ring
27	70181	1	Plug 3/8"

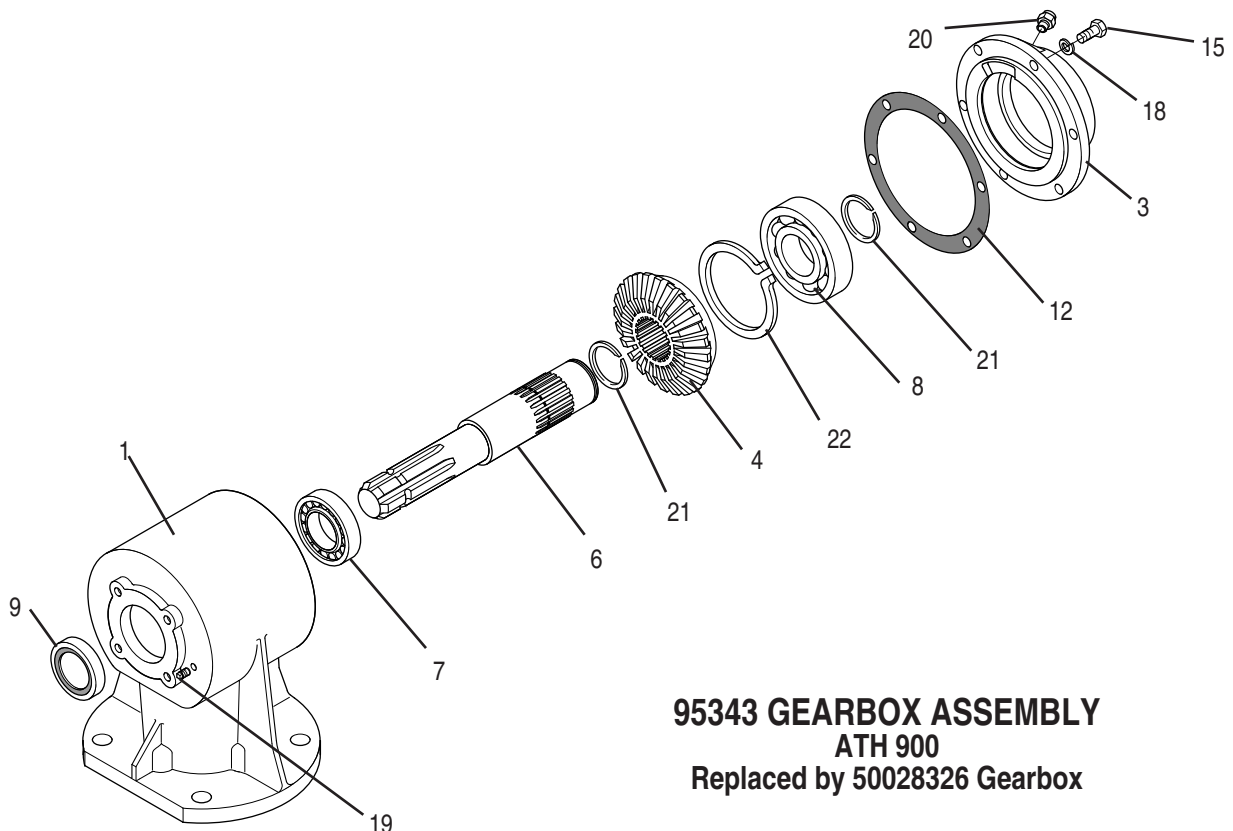
Abbreviations:
 A/R – As Required
 N/A – Not Available



90693 GEARBOX ASSEMBLY
ATH 900
 Replaced by 50028326 Gearbox

REF. NO.	PART NO.	QTY.	DESCRIPTION
1	90822	1	Housing
2	81643	1	Output Cap
3	90821	1	Blank Cap
4	90820	1	Input Gear 24T
5	90819	1	Pinion Gear 14T
6	90818	1	Input Shaft
7	81633	1	Bearing
8	70256	3	Bearing
9	88879	1	Input Seal
10	90816	1	Output Seal
11	81642	1	Output Cap Gasket
12	81636	1	Top Cap Gasket
13	81630	1	Spacer
14	81648	1	Cotter Pin 5mm x 50mm
15	84664	10	Capscrew 3/8" x 1" Gr.5
16	88873	1	Slotted Nut
17	81646	1	Blade Hub Washer
18	---	10	Lockwasher 3/8"
19	88852	1	Pipe Plug 1/8"
20	80538	1	Pressure Relief Plug
21	81631	3	Retaining Ring
22	81637	1	Retaining Ring

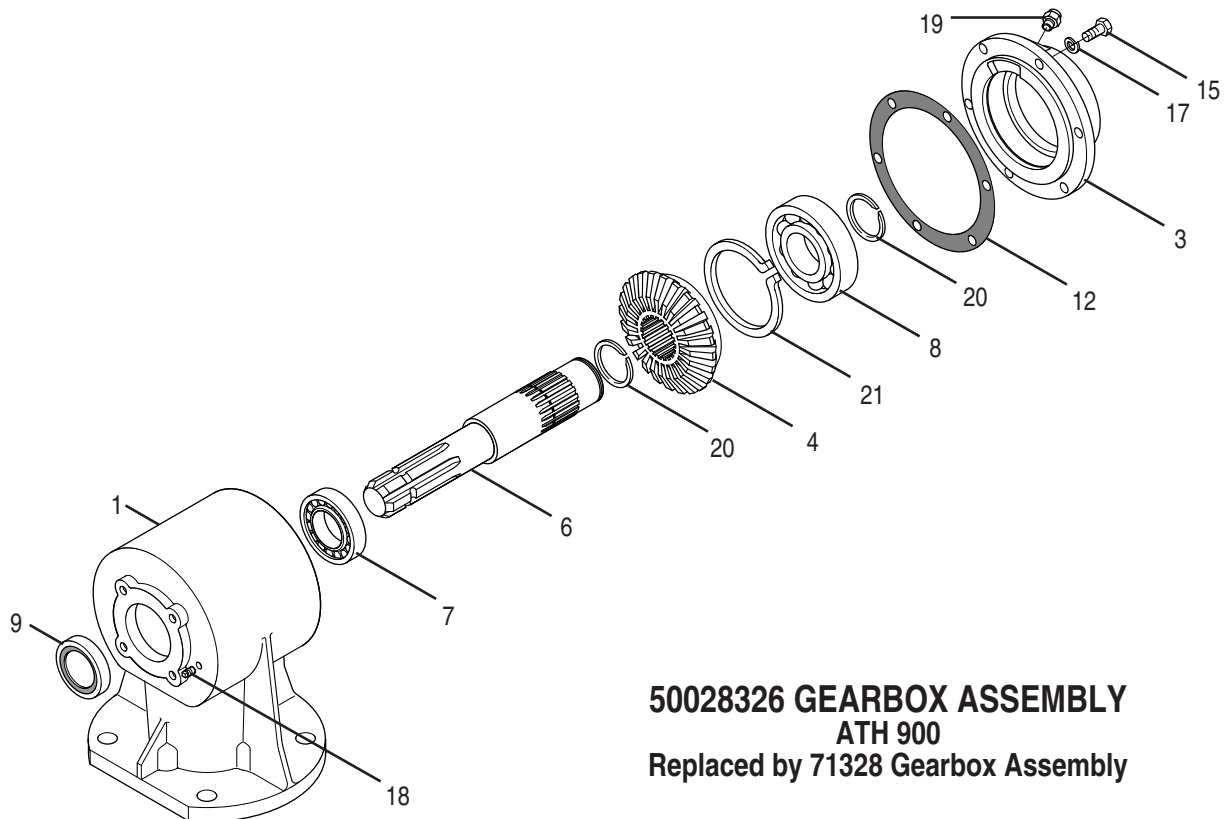




95343 GEARBOX ASSEMBLY
ATH 900
 Replaced by 50028326 Gearbox

REF. NO.	PART NO.	QTY.	DESCRIPTION
1	90822	1	Housing
2	81643	1	Output Cap
3	90821	1	Blank Cap
4	90820	1	Input Gear 24T
5	90819	1	Pinion Gear 14T
6	90818	1	Input Shaft
7	81633	1	Bearing
8	70256	2	Bearing
9	88879	1	Input Seal
10	90816	1	Output Seal
11	95794	A/R	Gasket / Shim .40mm
	95795	A/R	Gasket / Shim .15mm
	95796	A/R	Gasket / Shim .10mm
12	95791	A/R	Gasket / Shim .40mm
	95792	A/R	Gasket / Shim .15mm
	95793	A/R	Gasket / Shim .10mm
13	95797	1	Spacer
14	81648	1	Cotter Pin 5mm x 50mm
15	84664	10	Capscrew 3/8" x 1" Gr.5
16	88873	1	Slotted Nut
17	81646	1	Blade Hub Washer
18	—	10	Lockwasher 3/8"
19	88852	1	Pipe Plug 1/8
*20	80538	1	Pressure Relief Plug
21	81631	3	Retaining Ring
22	81637	1	Retaining Ring
23	70795	1	Taper Bearing

*Item 20 is not included in 95343 assembly and must be ordered separately.

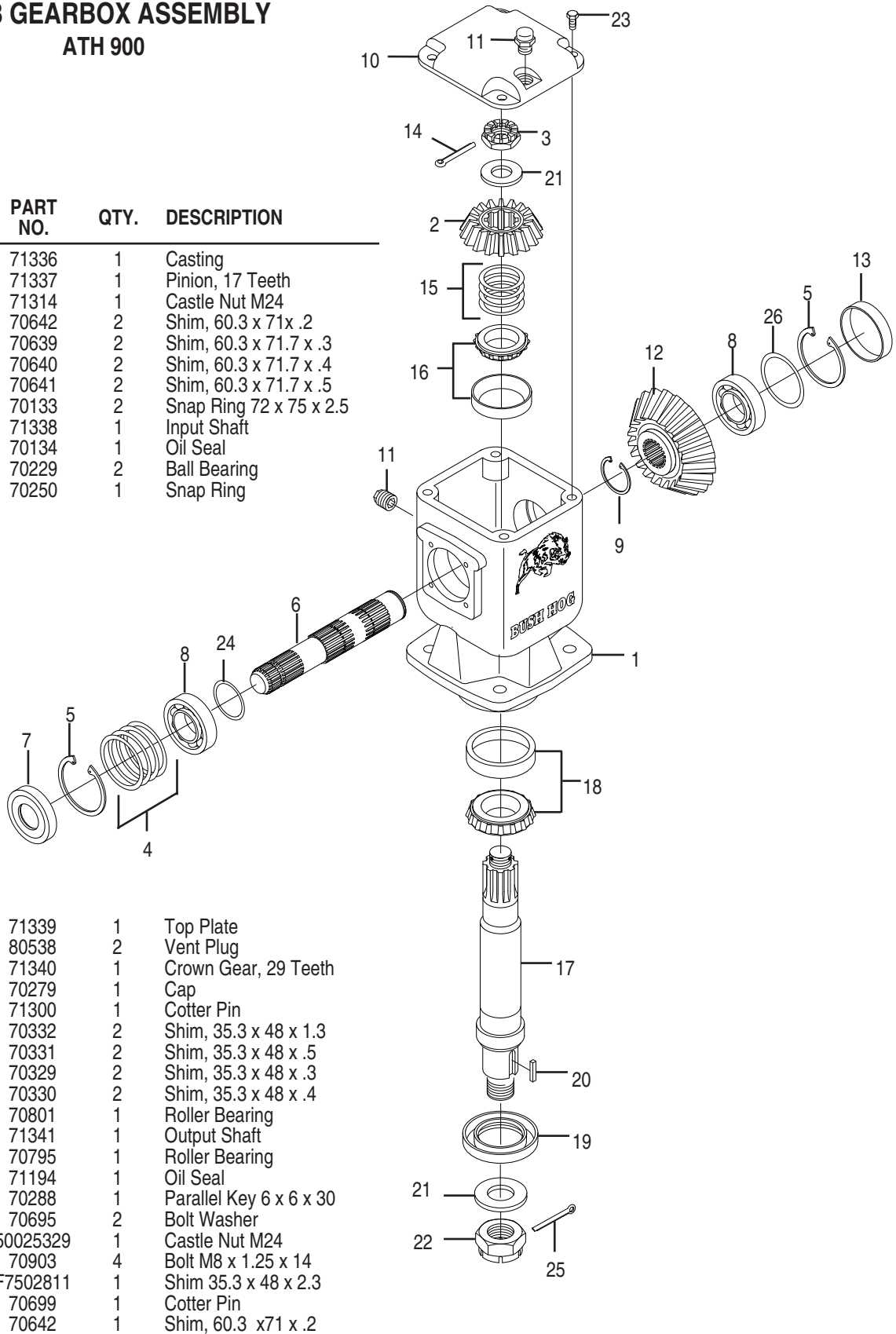


**50028326 GEARBOX ASSEMBLY
ATH 900
Replaced by 71328 Gearbox Assembly**

REF. NO.	PART NO.	QTY.	DESCRIPTION
1	90822	1	Housing
2	81643	1	Output Cap
3	90821	1	Blank Cap
4	90820	1	Input Gear 24T
5	50029149	1	Pinion Gear 14T
6	90818	1	Input Shaft
7	70229	1	Bearing
8	70256	1	Bearing
9	88879	1	Input Seal
10	81644	1	Output Seal
11	95794	A/R	Gasket / Shim .40mm
	95795	A/R	Gasket / Shim .15mm
	95796	A/R	Gasket / Shim .10mm
12	95791	A/R	Gasket / Shim .40mm
	95792	A/R	Gasket / Shim .15mm
	95793	A/R	Gasket / Shim .10mm
13	95797	1	Spacer
14	81648	1	Cotter Pin 5mm x 50mm
15	84664	10	Capscrew 3/8" x 1" Gr.5
16	88873	1	Slotted Nut
17	—	10	Lockwasher 3/8"
18	88852	1	Pipe Plug 1/8
19	80538	1	Pressure Relief Plug
20	81631	3	Retaining Ring
21	81637	1	Retaining Ring
22	70795	1	Taper Bearing

71328 GEARBOX ASSEMBLY ATH 900

REF. NO.	PART NO.	QTY.	DESCRIPTION
1	71336	1	Casting
2	71337	1	Pinion, 17 Teeth
3	71314	1	Castle Nut M24
4	70642	2	Shim, 60.3 x 71x .2
	70639	2	Shim, 60.3 x 71.7 x .3
	70640	2	Shim, 60.3 x 71.7 x .4
	70641	2	Shim, 60.3 x 71.7 x .5
5	70133	2	Snap Ring 72 x 75 x 2.5
6	71338	1	Input Shaft
7	70134	1	Oil Seal
8	70229	2	Ball Bearing
9	70250	1	Snap Ring



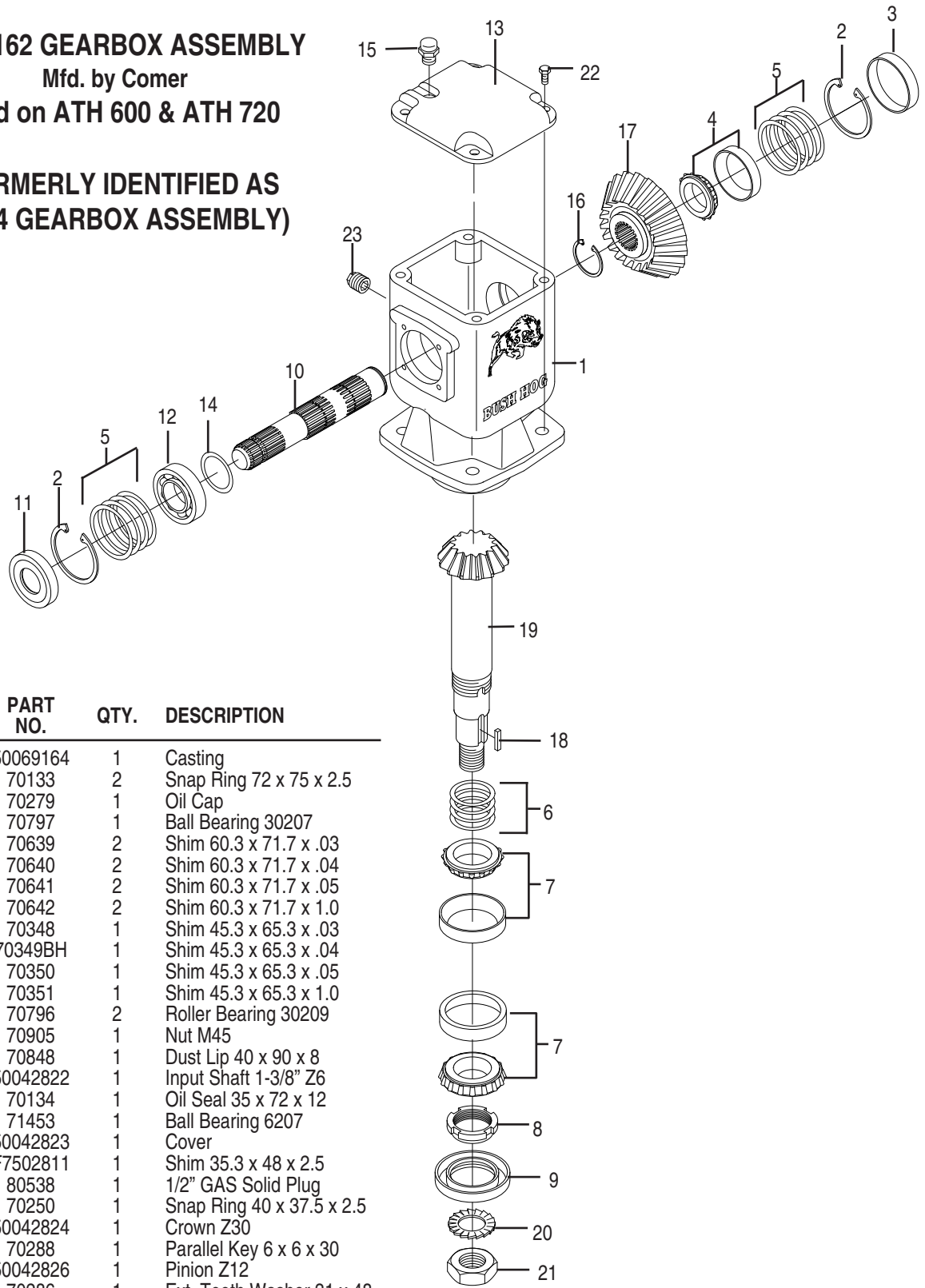
10	71339	1	Top Plate
11	80538	2	Vent Plug
12	71340	1	Crown Gear, 29 Teeth
13	70279	1	Cap
14	71300	1	Cotter Pin
15	70332	2	Shim, 35.3 x 48 x 1.3
	70331	2	Shim, 35.3 x 48 x .5
	70329	2	Shim, 35.3 x 48 x .3
	70330	2	Shim, 35.3 x 48 x .4
16	70801	1	Roller Bearing
17	71341	1	Output Shaft
18	70795	1	Roller Bearing
19	71194	1	Oil Seal
20	70288	1	Parallel Key 6 x 6 x 30
21	70695	2	Bolt Washer
22	50025329	1	Castle Nut M24
23	70903	4	Bolt M8 x 1.25 x 14
24	F7502811	1	Shim 35.3 x 48 x 2.3
25	70699	1	Cotter Pin
26	70642	1	Shim, 60.3 x71 x .2

50069162 GEARBOX ASSEMBLY

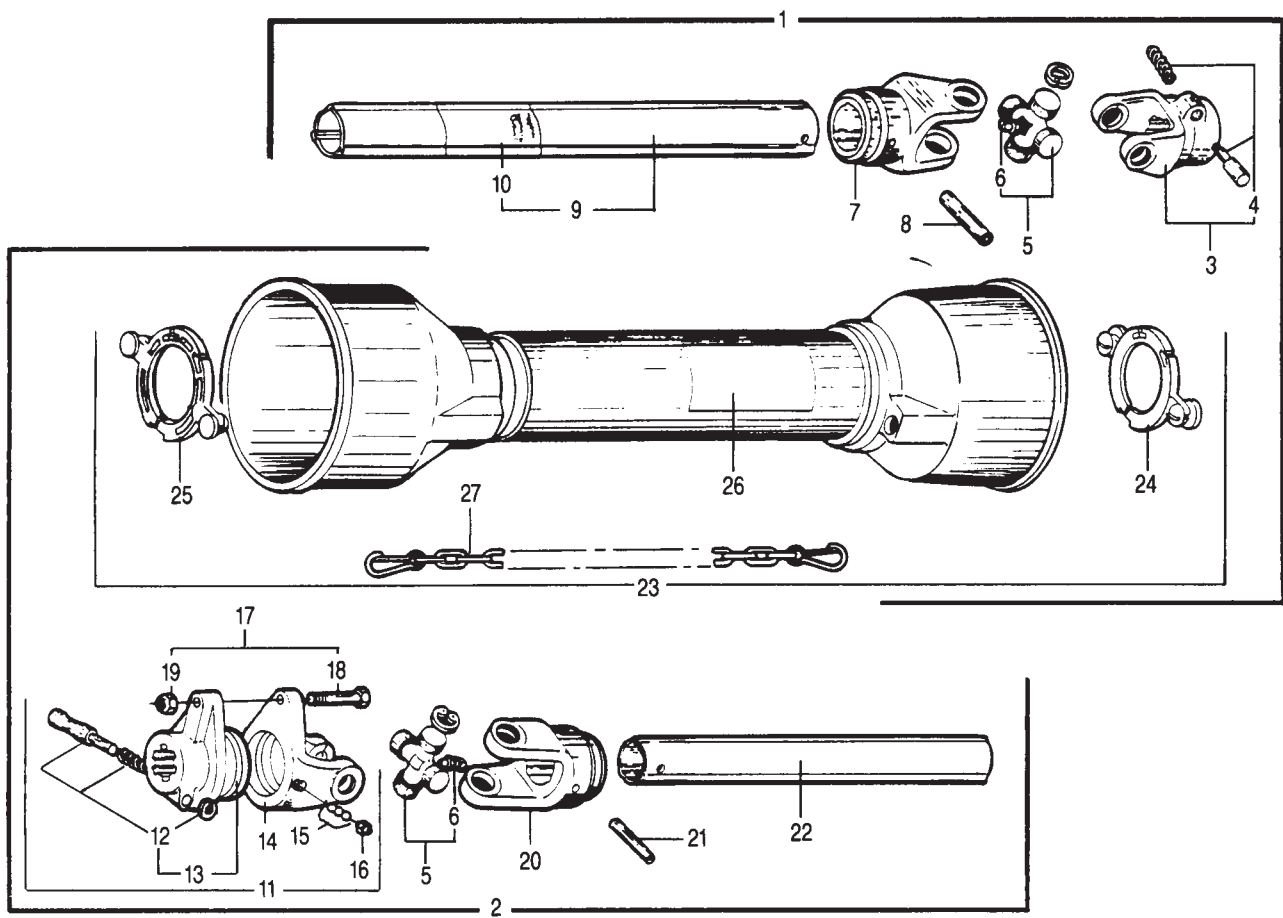
Mfd. by Comer

Used on ATH 600 & ATH 720

(FORMERLY IDENTIFIED AS
71334 GEARBOX ASSEMBLY)

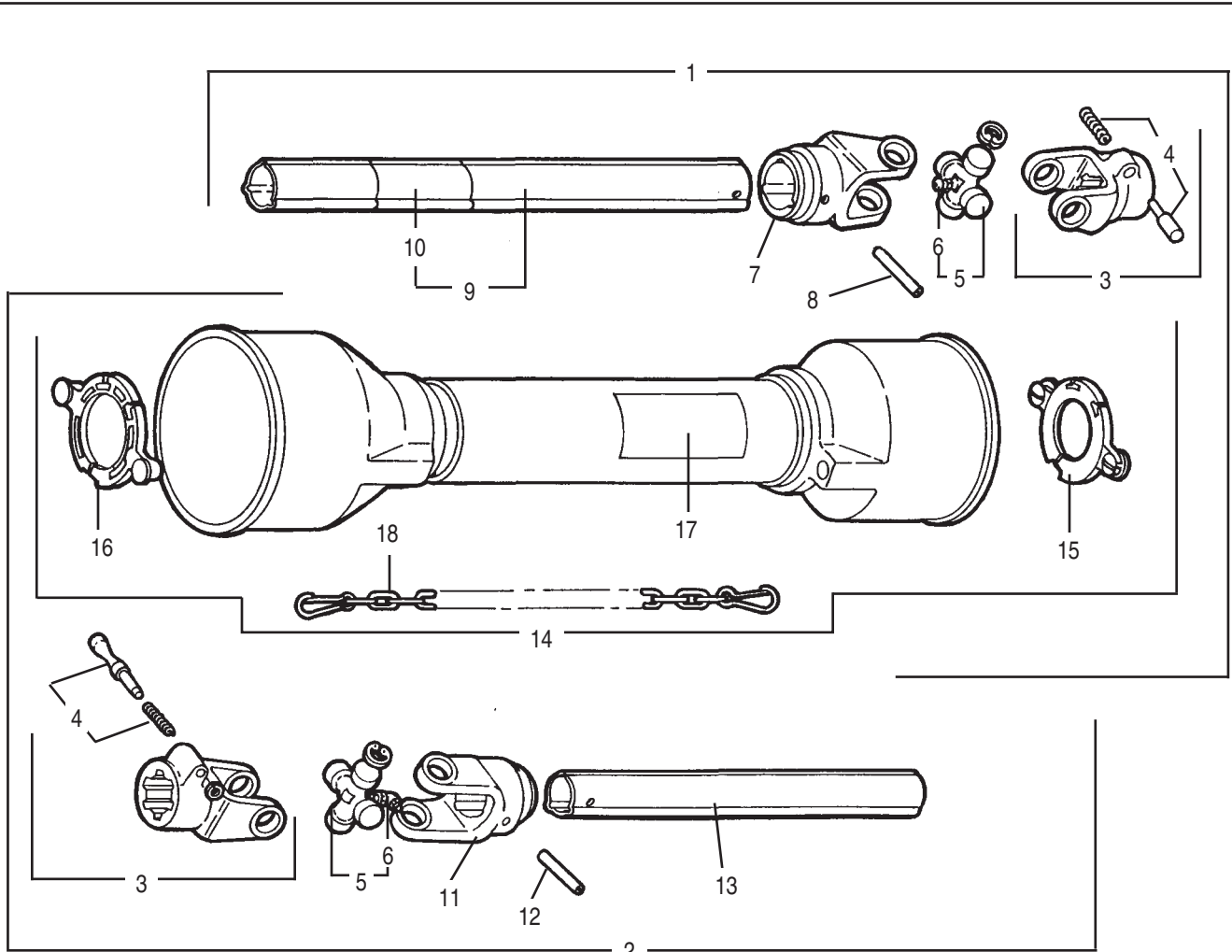


REF. NO.	PART NO.	QTY.	DESCRIPTION
1	50069164	1	Casting
2	70133	2	Snap Ring 72 x 75 x 2.5
3	70279	1	Oil Cap
4	70797	1	Ball Bearing 30207
5	70639	2	Shim 60.3 x 71.7 x .03
	70640	2	Shim 60.3 x 71.7 x .04
	70641	2	Shim 60.3 x 71.7 x .05
	70642	2	Shim 60.3 x 71.7 x 1.0
6	70348	1	Shim 45.3 x 65.3 x .03
	70349BH	1	Shim 45.3 x 65.3 x .04
	70350	1	Shim 45.3 x 65.3 x .05
	70351	1	Shim 45.3 x 65.3 x 1.0
7	70796	2	Roller Bearing 30209
8	70905	1	Nut M45
9	70848	1	Dust Lip 40 x 90 x 8
10	50042822	1	Input Shaft 1-3/8" Z6
11	70134	1	Oil Seal 35 x 72 x 12
12	71453	1	Ball Bearing 6207
13	50042823	1	Cover
14	F7502811	1	Shim 35.3 x 48 x 2.5
15	80538	1	1/2" GAS Solid Plug
16	70250	1	Snap Ring 40 x 37.5 x 2.5
17	50042824	1	Crown Z30
18	70288	1	Parallel Key 6 x 6 x 30
19	50042826	1	Pinion Z12
20	70286	1	Ext. Tooth Washer 31 x 48
21	70287	1	Hex Nut M30
22	70278	4	Bolt M8 x 1.25 x 20
23	70292	1	3/8" GAS Solid Plug



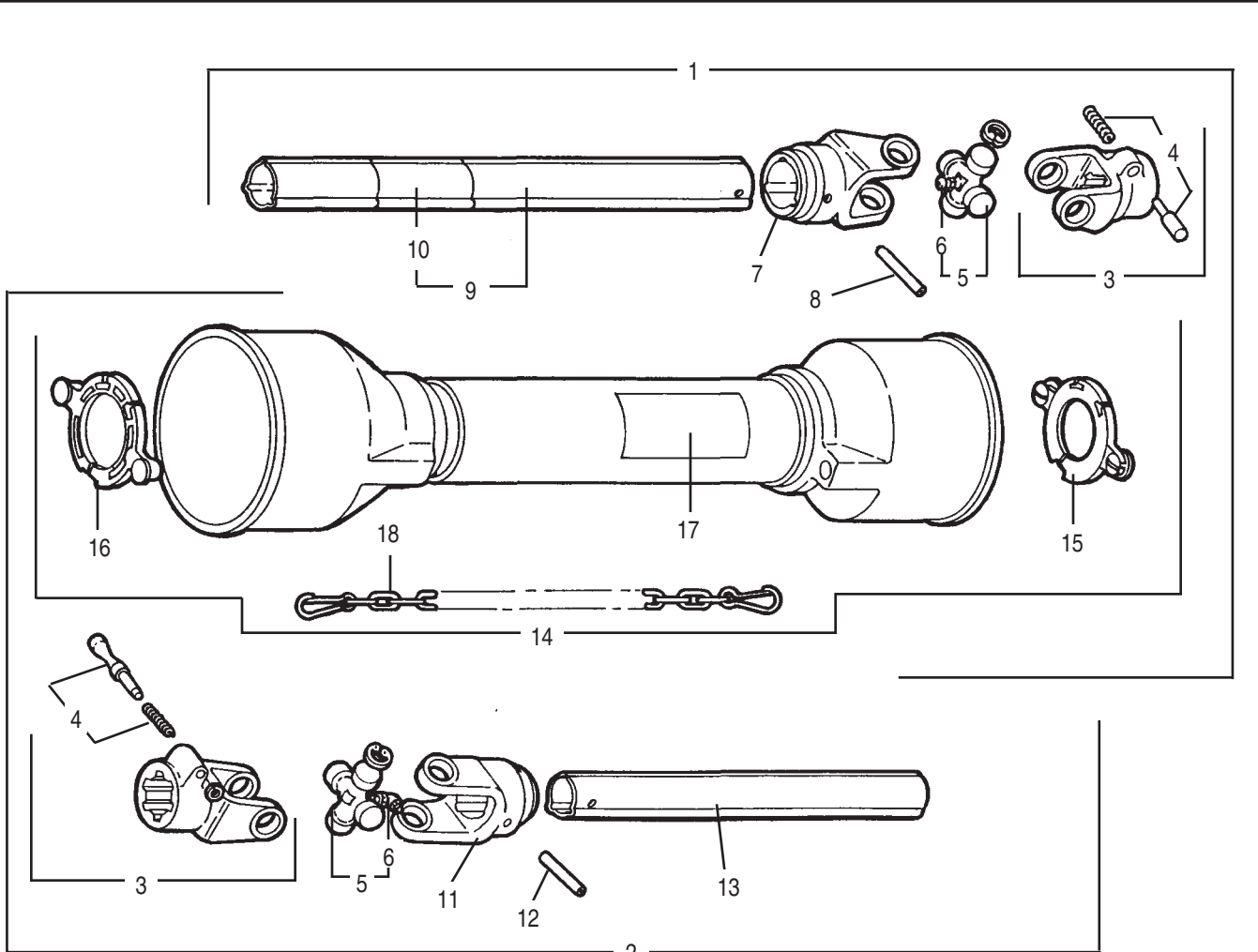
88644 DRIVESHAFT ASSEMBLY
ATH 600 - 1 Models, Serial No. 12-00558
ATH 720 - 1 Models, Serial No. 1200897
Replaced by 92951 Driveshaft (Mfd. by EG)

REF. NO.	PART NO.	QTY.	DESCRIPTION	REF. NO.	PART NO.	QTY.	DESCRIPTION
1	90010	1	Shielded Front Half Assy.	15	65224	23	Ball
2	90011	1	Shielded Rear Half Assy.	16	69439	1	Grease Fitting
3	64692	1	Q.D. Yoke Assy.	17	81976	1	Shear Bolt Package
4	63945	1	Q.D. Pin Kit	18	44275	5	Shear Bolt m8 x 1.25 x 50
5	64694	2	Cross Bearing Kit	19	44185	5	Locknut m8 x1.25
6	63956	2	Grease Fitting	20	78570	1	Yoke Inner Tube
7	78571	1	Yoke, Outer Tube	21	78578	1	Flexible Pin
8	78577	1	Flexible Pin	22	82801	1	Inner Tube
9	82800	1	Outer Tube	23	90012	1	Safety Shield Assy.
10	78786	1	Danger Decal	24	90008	1	Outer Shield Bearing
11	69441	1	Torque Limiter Assy.	25	50042832	1	Inner Shield Bearing
12	65291	1	Q.D. Pin Kit	26	78608	1	Danger Decal
13	69438	1	Hub w/ Q.D. Kit	27	64814	2	Safety Chain
14	69440	1	Yoke- Torque Limiter				



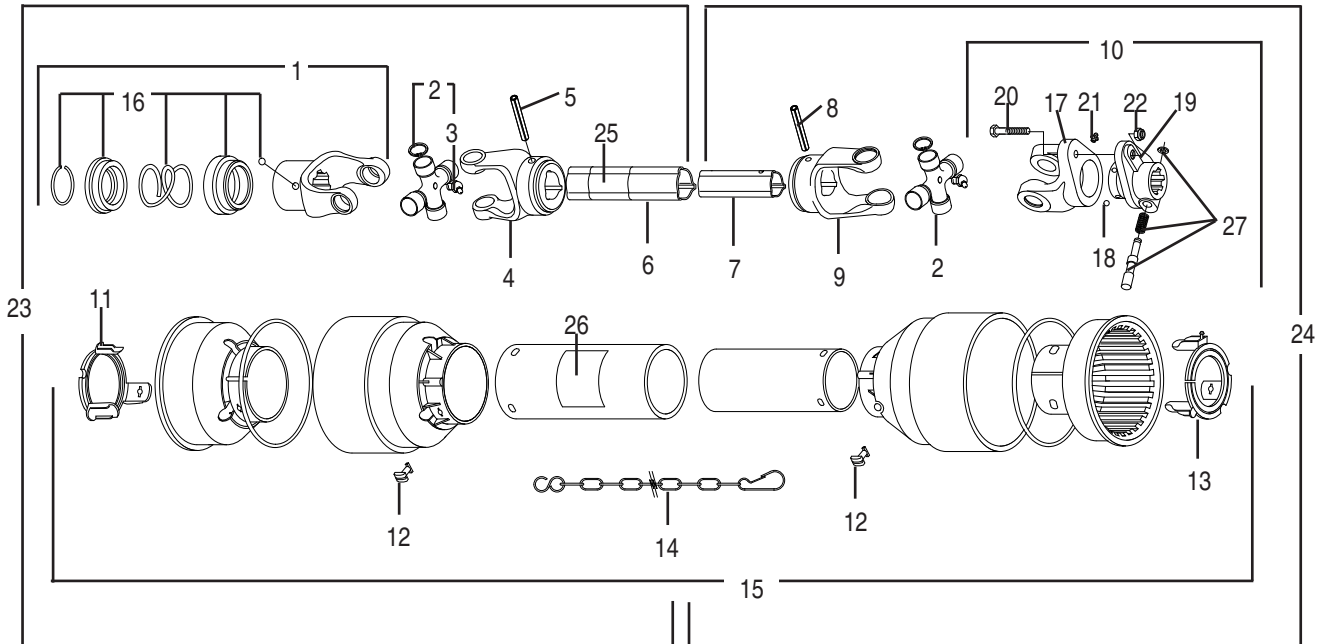
89479 DRIVESHAFT ASSEMBLY
ATH 600, 720 Models
Replaced by 76722 Driveshaft
Mfd. by Comer / EG

REF. NO.	PART NO.	QTY.	DESCRIPTION
1	90010	1	Shielded Front Half Assy.
2	90814	1	Shielded Rear Half Assy.
3	64692	2	Yoke Assy.
4	63945	2	Q.D. Pin Kit
5	64694	2	Cross Bearing Kit
6	63956	2	Grease Fitting
7	78571	1	Yoke, Outer Tube
8	78577	1	Flexible Pin (Outer Pin)
9	82800	1	Outer Tube
10	78786	1	Danger Decal
11	78570	1	Yoke, Inner Tube
12	78578	1	Flexible Pin (Inner Tube)
13	82801	1	Inner Tube
14	90012	1	Safety Shield
15	90008	1	Outer Shield Bearing
16	50042832	1	Inner Shield Bearing
17	78608	1	Danger Decal
18	64814	2	Safety Chain



90278 DRIVESHAFT ASSEMBLY
ATH 900 Models
Replaced by 76740 Driveshaft
Mfd. by Comer / EG

REF. NO.	PART NO.	QTY.	DESCRIPTION
1	90255	1	Shielded Front Half Assy.
2	90814	1	Shielded Rear Half Assy.
3	64692	2	Yoke Assy.
4	63945	2	Q.D. Pin Kit
5	64694	2	Cross Bearing Kit
6	63956	2	Grease Fitting
7	78571	1	Yoke, Outer Tube
8	78577	1	Flexible Pin (Outer Pin)
9	90253	1	Outer Tube
10	78786	1	Danger Decal
11	78570	1	Yoke, Inner Tube
12	78578	1	Flexible Pin (Inner Tube)
13	90254	1	Inner Tube
14	90267	1	Safety Shield
15	90008	1	Outer Shield Bearing
16	50042832	1	Inner Shield Bearing
17	78608	1	Danger Decal
18	64814	2	Safety Chain



76734 DRIVESHAFT ASSEMBLY W/ OFFSET SHEAR BOLT

540 RPM – 1-3/8” – 6 Spline

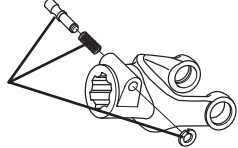
Manufactured by Comer / EG (Replaced by 50053123 Driveshaft)

76740 DRIVESHAFT ASSEMBLY W/ OFFSET SHEAR BOLT

ATH 900 -540 RPM – 1-3/8” – 6 Spline

Manufactured by Comer / EG (Replaced by 50053122 Driveshaft)

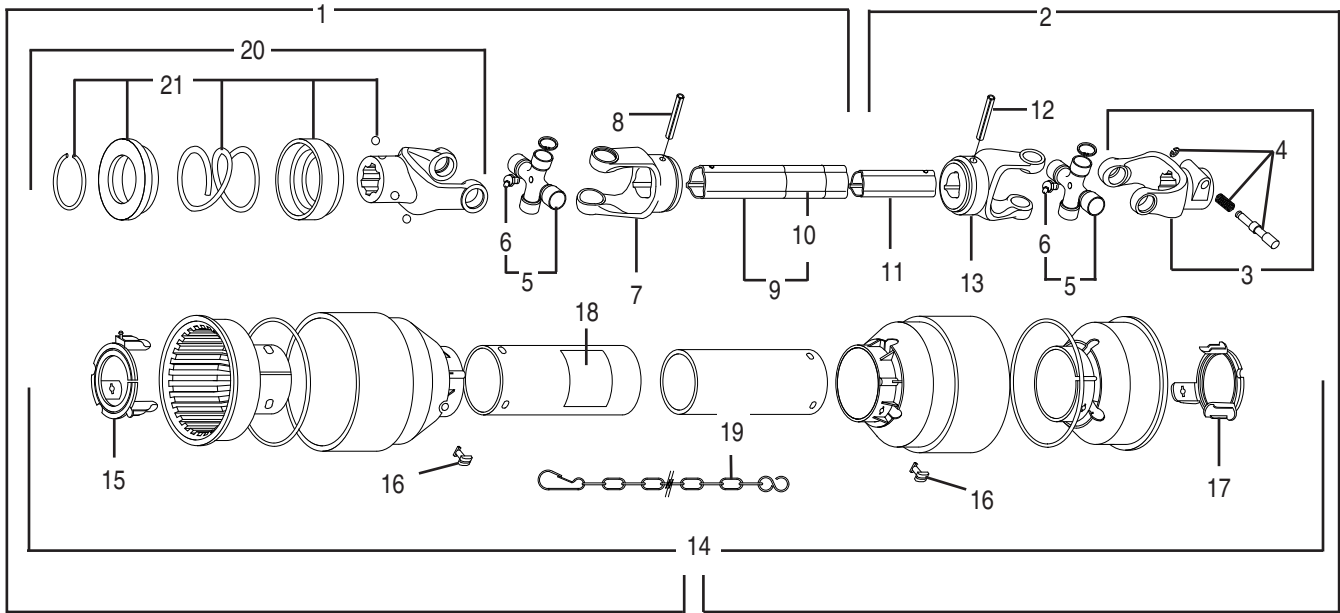
REF. NO.	PART NO.	QTY.	DESCRIPTION
1	76711	1	Complete Collar Yoke
2	64694	2	Cross Journal Set
3	63956	2	Grease Nipple
4	78571	1	Outer Yoke
5	78577	1	Roll Pin for Outer Tube
6	82800	1	Outer Tube (76734)
	90253	1	Outer Tube (76740)
7	82801	1	Inner Tube (76734)
	90254	1	Inner Tube (76740)
8	78578	1	Roll Pin for Inner Tube
9	78570	1	Inner Yoke
10	99847	1	Complete Shear Bolt
11	76192	1	Guard Retaining Collar, Outer
12	87992	6	Bolt
13	76191	1	Guard Retaining Collar, Inner
14	64814	2	Safety Chain
15	76135	1	Complete Shield (76734)
	76145	1	Complete Shield (76740)
16	50017480	2	Ball Collar Kit 1-3/8"
17	76160	1	Yoke
18	76202	23	Ball
19	76127	1	Hub



76062 Push Pin Set

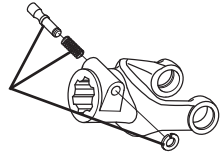
Note: Some early driveshafts were shipped with push pins on the tractor yoke end. Order 76062 push pin set to replace pin. Order 76711 for complete yoke replacement.

REF. NO.	PART NO.	QTY.	DESCRIPTION
20	44192	6	Capscrew M8 x 1.25 x 50 (76734)
	44275	6	Capscrew M8 x 1.25 x 50 (76740)
21	63946	1	Grease Fitting (76734)
	88094	1	Grease Fitting (76740)
22	44306	6	Hex Nut M8 x 1.25
23	76808	1	Half Female Shaft w/ Shield (76734)
	76811	1	Half Female Shaft w/ Shield (76740)
24	76094	1	Half Male Shaft w/ Shield (76734)
	76093	1	Half Male Shaft w/ Shield (76740)
25	78786	1	Danger Decal, Outer Tube
26	78608	1	Danger Decal, Outer Shield
27	76062	1	Push Pin Set

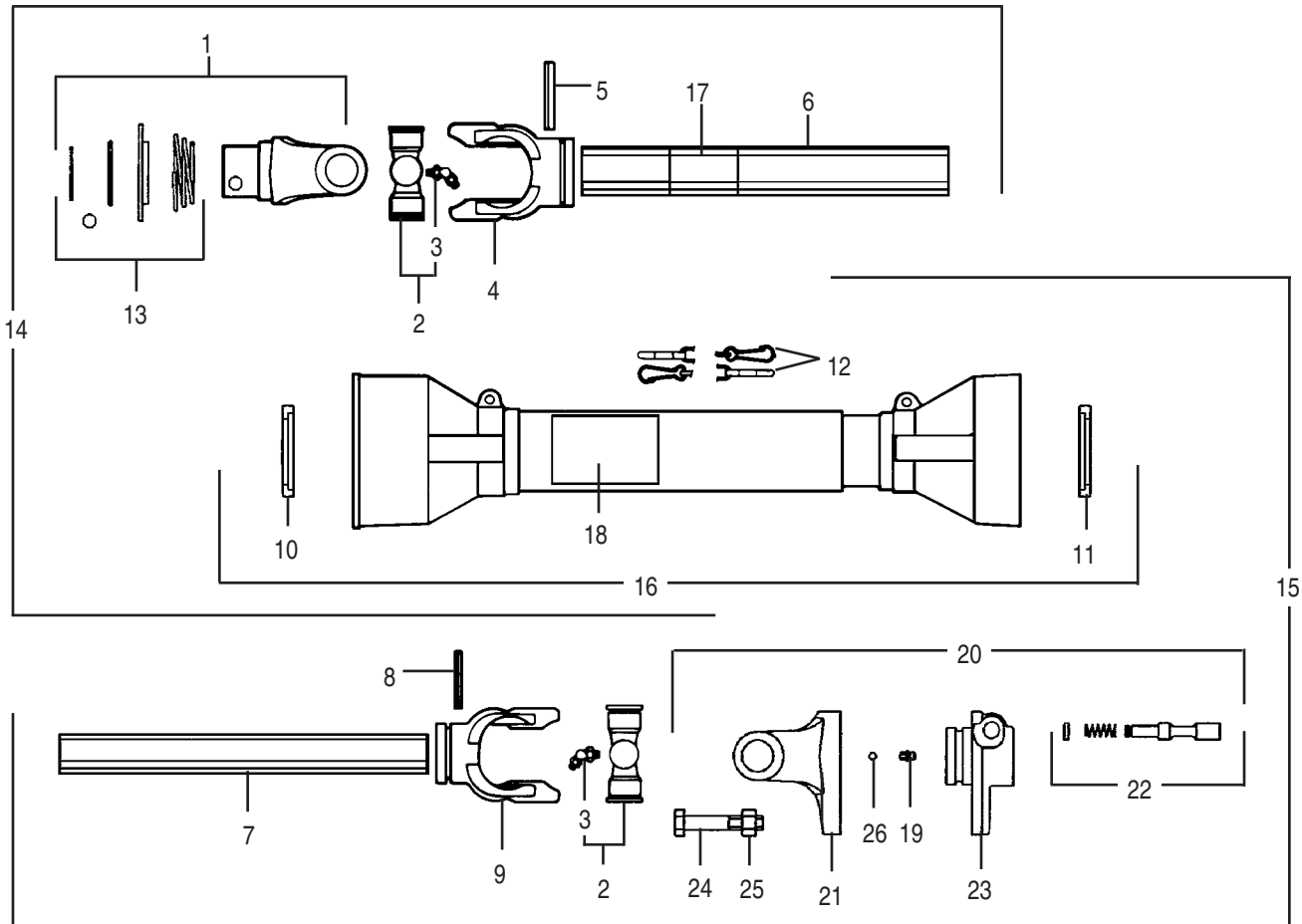


76722 DRIVESHAFT ASSEMBLY
ATH 600, ATH720 - 540 RPM – 1-3/8” – 6 Spline Yoke
 (Mfd. by Comer / EG)
 Replaced by 50053120 Driveshaft

REF. NO.	PART NO.	QTY.	DESCRIPTION
1	76808	1	Outer Half w/ Shield
2	76096	1	Inner Half w/ Shield
3	76126	1	Yoke & Pin Assy.
4	76062	1	Q.D. Pin Kit
5	64694	2	Cross Bearing Kit
6	63956	2	Grease Fitting
7	78571	1	Outer Yoke
8	78577	1	Roll Pin for Outer Yoke
9	82800	1	Outer Tube
10	78786	1	Danger Decal
11	82801	1	Inner Tube
12	78578	1	Roll Pin for Inner Yoke
13	78570	1	Inner Yoke
14	76146	1	Shield Assy.
15	76192	1	Outer Bearing
16	87992	6	Shield Bolt
17	76191	1	Inner Bearing
18	78608	1	Danger Decal
19	64814	2	Safety Chain
20	76711	1	Complete Collar Yoke
21	50017480	1	Ball Collar Kit 1-3/8”

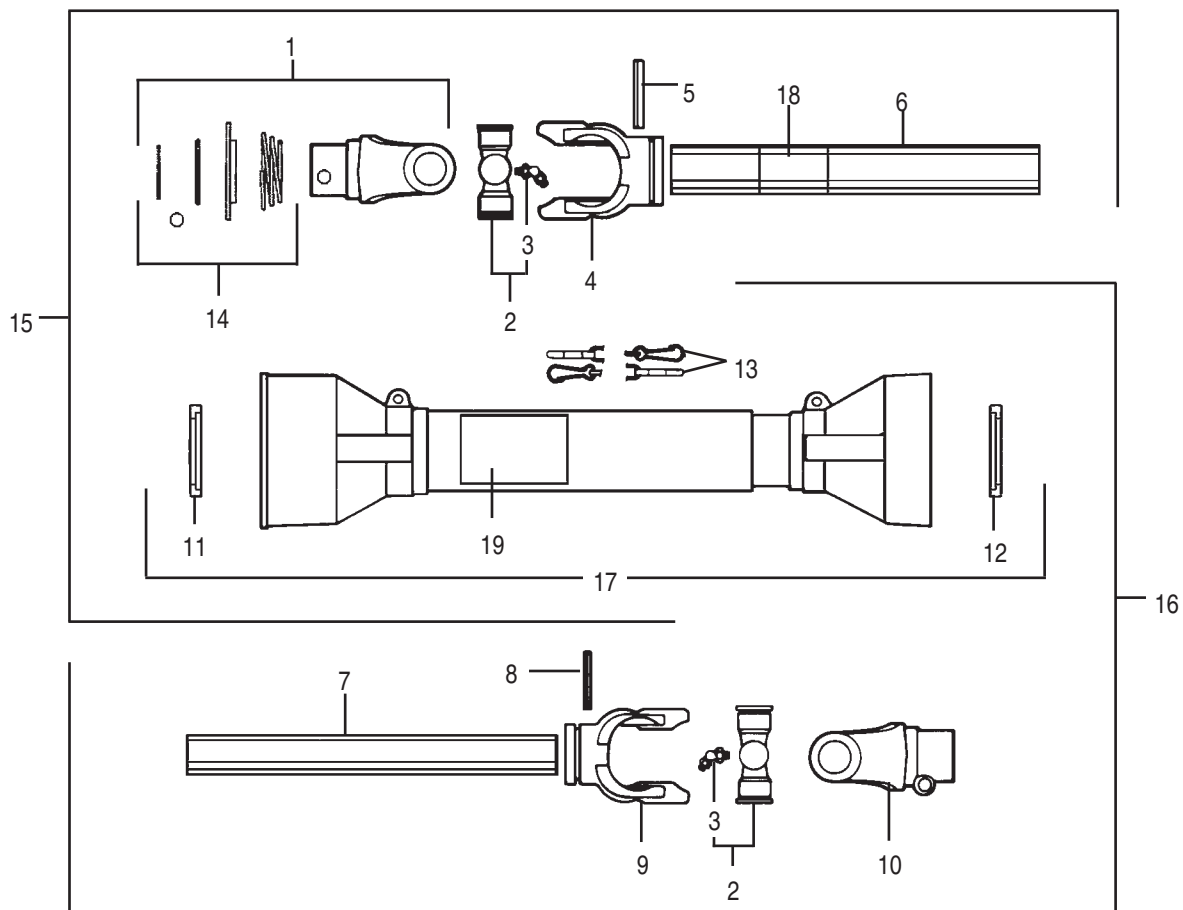
76062 Push Pin Set 

Note: Some early driveshafts were shipped with push pins on the tractor yoke end. Order 76062 push pin set to replace pin. Order 76711 for complete yoke replacement.



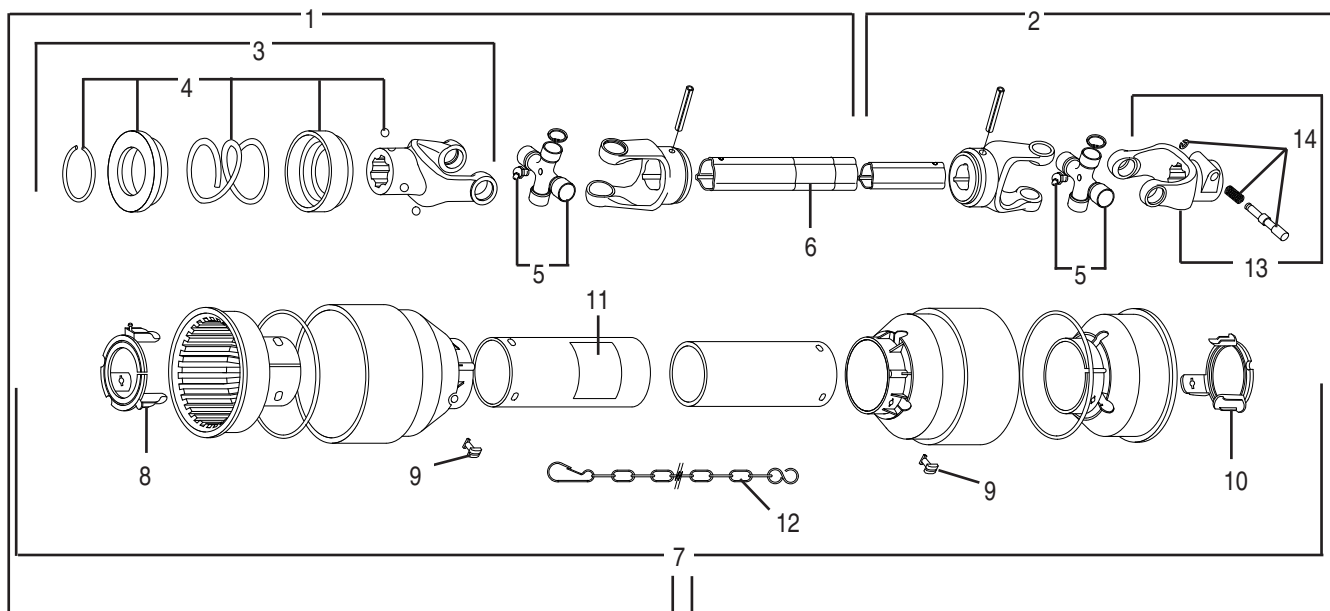
**50034243 DRIVESHAFT ASSEMBLY W/ CLUTCH
REPLACED BY 50063613
540 RPM, 1-3/8" – 6 spline, Mfd. by Binacchi
Used on Model ATH 900**

REF. NO.	PART NO.	QTY.	DESCRIPTION	REF. NO.	PART NO.	QTY.	DESCRIPTION
1	50035260	1	Complete Collar Yoke	14	50035262	1	Half Shaft, Outer
2	64694	2	Cross Journal Set	15	50035292	1	Half Shaft, Inner
3	63956	2	Grease Nipple	16	90257	1	Safety Guard
4	78571	1	Outer Tube Yoke	17	78786	1	Danger Decal
5	78577	1	Flexible Pin	18	78608	1	Danger Decal
6	90253	1	Outer Tube	19	69439	1	Grease Fitting
7	90254	1	Inner Tube	20	50035294	1	Torque Limiter
8	78578	1	Flexible Pin	21	69440	1	Yoke
9	78570	1	Inner Tube Yoke	22	65291	1	Push Pin Kit
10	90008	1	Outer Bearing	23	69438	1	Hub w/ Push Pin Kit
11	50042832	1	Inner Bearing	24	44883	1	Cap screw M8 x 1.25 x 45
12	64814	2	Chain	25	44185	1	Locknut M8
13	50035261	1	Ball Collar Kit	26	65224	1	Ball



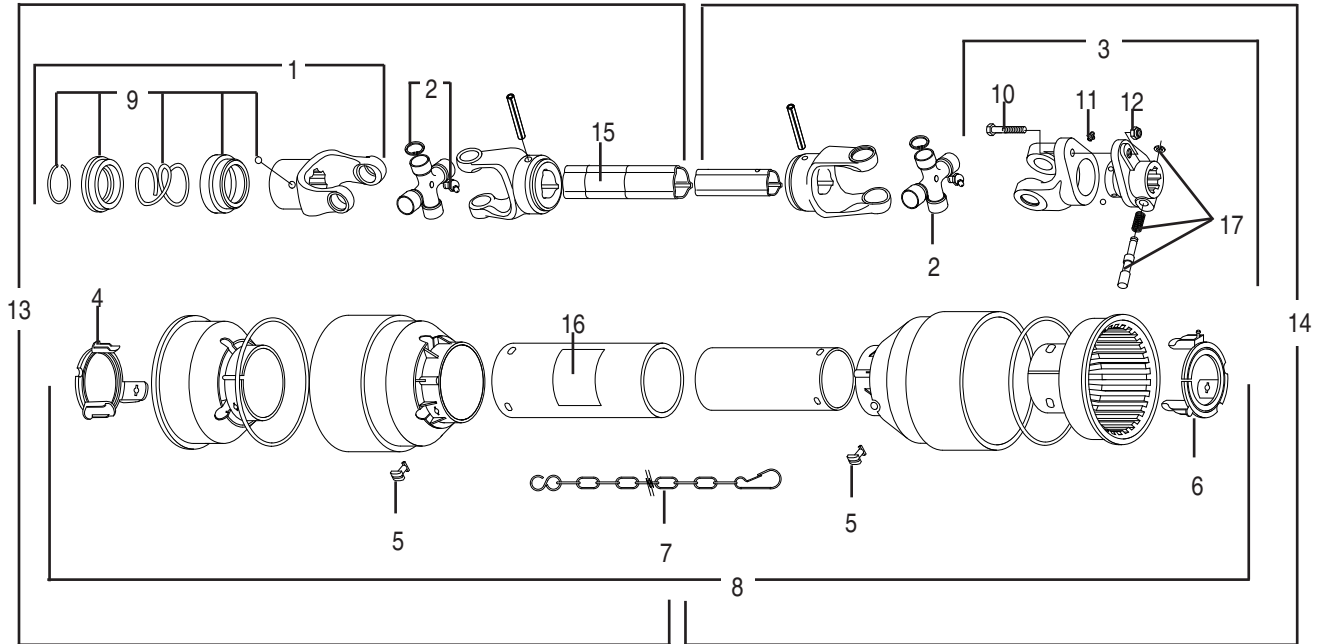
**50034246 DRIVESHAFT ASSEMBLY
 REPLACED BY 50063616
 540 RPM, 1-3/8" – 6 spline, Mfd. by Binacchi
 Used on Models ATH600, ATH720**

REF. NO.	PART NO.	QTY.	DESCRIPTION
1	50035260	1	Complete Collar Yoke
2	64694	2	Cross Journal Set
3	63956	2	Grease Nipple
4	78571	1	Outer Tube Yoke
5	78577	1	Flexible Pin
6	82800	1	Outer Tube
7	82801	1	Inner Tube
8	78578	1	Flexible Pin
9	78570	1	Inner Tube Yoke
10	64692	1	Outer Yoke
11	90008	1	Outer Bearing
12	50042832	1	Inner Bearing
13	64814	2	Chain
14	50035261	1	Ball Collar Kit
15	50035268	1	Half Shaft, Outer
16	50035295	1	Half Shaft, Inner
17	90012	1	Safety Guard
18	78786	1	Danger Decal
19	78608	1	Danger Decal



50053120 DRIVESHAFT
ATH 600, ATH, 720 - 540 RPM, 1-3/8" – 6 Spline
Replaces 76722 Driveshaft
Mfd. by Comer

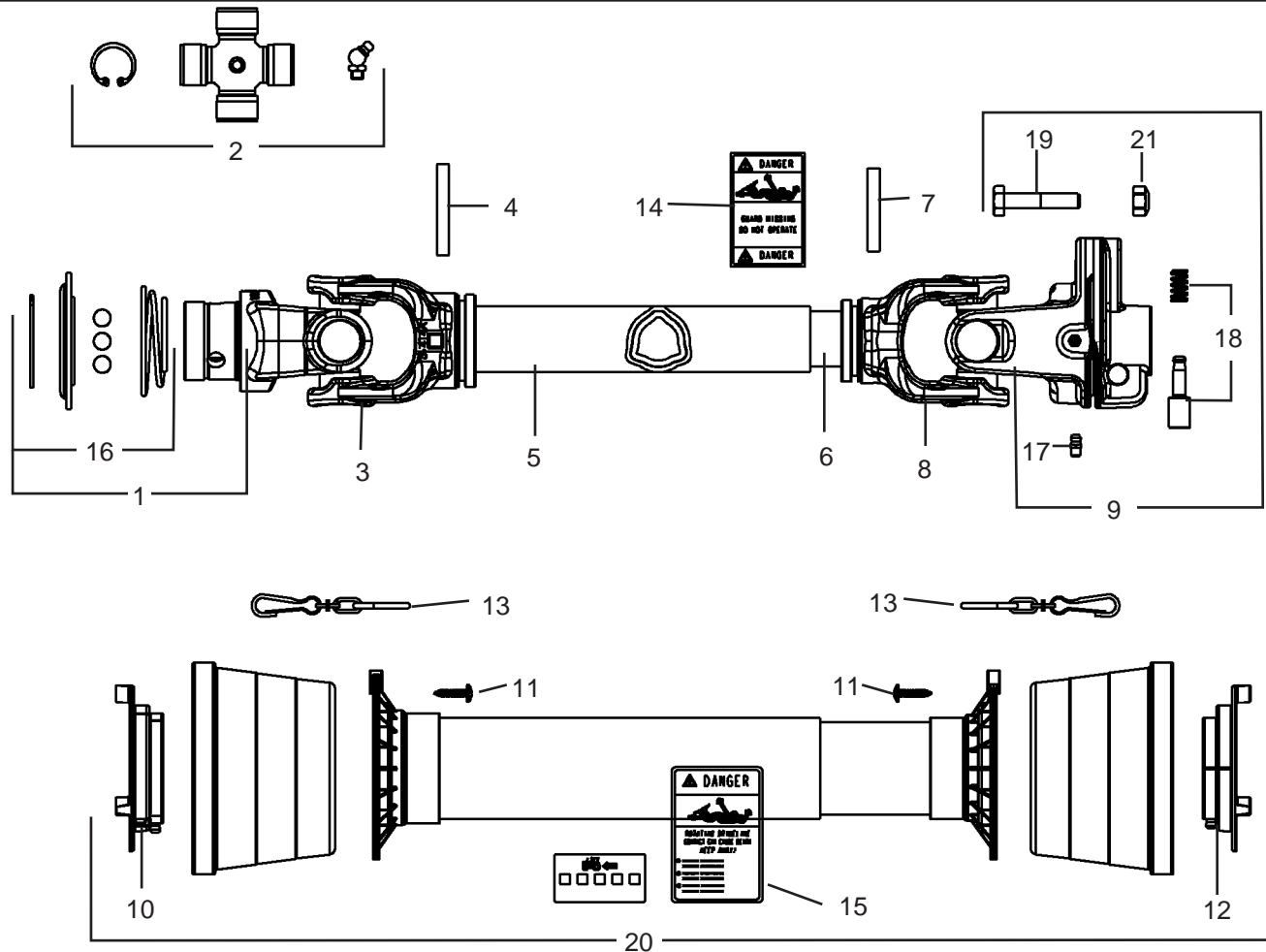
REF. NO.	PART NO.	QTY.	DESCRIPTION
1	50053146	1	Outer Half w/Shielding
2	50053147	1	Inner Half w/Shielding
3	76711	1	Complete Collar Yoke
4	50017480	1	Ball Collar Kit 1-3/8"
5	64694	2	Cross Bearing Kit
6	78786	1	Danger Decal
7	50053145	1	Complete Shield Assembly
8	50053143	1	Bearing, Outer
9	50050289	6	Shield Bolt
10	50053144	1	Bearing, Inner
11	78608	1	Danger, Decal
12	64814	1	Safety Decal
13	76126	1	Push Pin Yoke
14	76062	1	Push Pin Set



50053123SP DRIVESHAFT ASSEMBLY W/ OFFSET SHEAR BOLT
 ATH 600, ATH 720 - 540 RPM – 1-3/8” – 6 Spline
 Manufactured by Comer (Replaces 76734 Driveshaft)

50053122SP DRIVESHAFT ASSEMBLY W/ OFFSET SHEAR BOLT
 ATH 900 - 540 RPM – 1-3/8” – 6 Spline
 Manufactured by Comer (Replaces 76740 Driveshaft)

REF. NO.	PART NO.	QTY.	DESCRIPTION
1	76711	1	Complete Collar Yoke
2	64694	2	Cross Journal Set
3	99847	1	Complete Shear Bolt
4	50053143	1	Guard Retaining Collar, Outer
5	50050289	6	Bolt
6	50053144	1	Guard Retaining Collar, Inner
7	64814	2	Safety Chain
8	50053145	1	Complete Shield (50053123)
	50053151	1	Complete Shield (50053122)
9	50017480	2	Ball Collar Kit1-3/8”
10	44275	6	Capscrew M8 x 1.25 x 50
11	63946	1	Grease Fitting
12	44306	6	Hex Nut M8 x 1.25
13	50053146	1	Half Female Shaft w/ Shield (50053123)
	50053152	1	Half Female Shaft w/ Shield (50053122)
14	50053154	1	Half Male Shaft w/ Shield (50053123)
	50053153	1	Half Male Shaft w/ Shield (50053122)
15	78786	1	Danger Decal, Outer Tube
16	78608	1	Danger Decal, Outer Shield
17	76062	1	Push Pin Set



50063613SP DRIVESHAFT ASSY.
Used On : ATH900
(Replaces the 50034243 Driveshaft Assy.)
Mfd. by Bondioli & Pavesi
540 RPM

REF. NO.	PART NO.	QTY.	DESCRIPTION
1	50064902	1	Complete Collar Yoke
2	64694	2	Cross Bearing Kit
3	78571	1	Yoke for Outer Tube
4	78577	1	Roll Pin, Outer Tube
5	50064924	1	Outer Tube
6	50064925	1	Inner Tube
7	78578	1	Roll Pin, Inner Tube
8	78570	1	Yoke for Inner Tube
9	50064921	1	Shear Bolt Yoke Assy.
10	50064911	1	Outer Shield Bearing
11	71404	6	Self Tapping Screw
12	50064912	1	Inner Shield Bearing
13	50064890	2	Chain, Shield
14	78786	1	Danger Decal, Outer Tube
15	78608	1	Danger Decal, Outer Shield Tube
16	50064645	1	Ball Collar Repair Kit
17	63946	1	Grease Fitting
18	63945	1	Q.D. Pin Kit
19	44247	1	Capscrew M10 x 1.5 x 50 Gr.8.8
20	50064928	1	Shield Kit Complete
21	44154	1	Locknut, M10 x 1.5

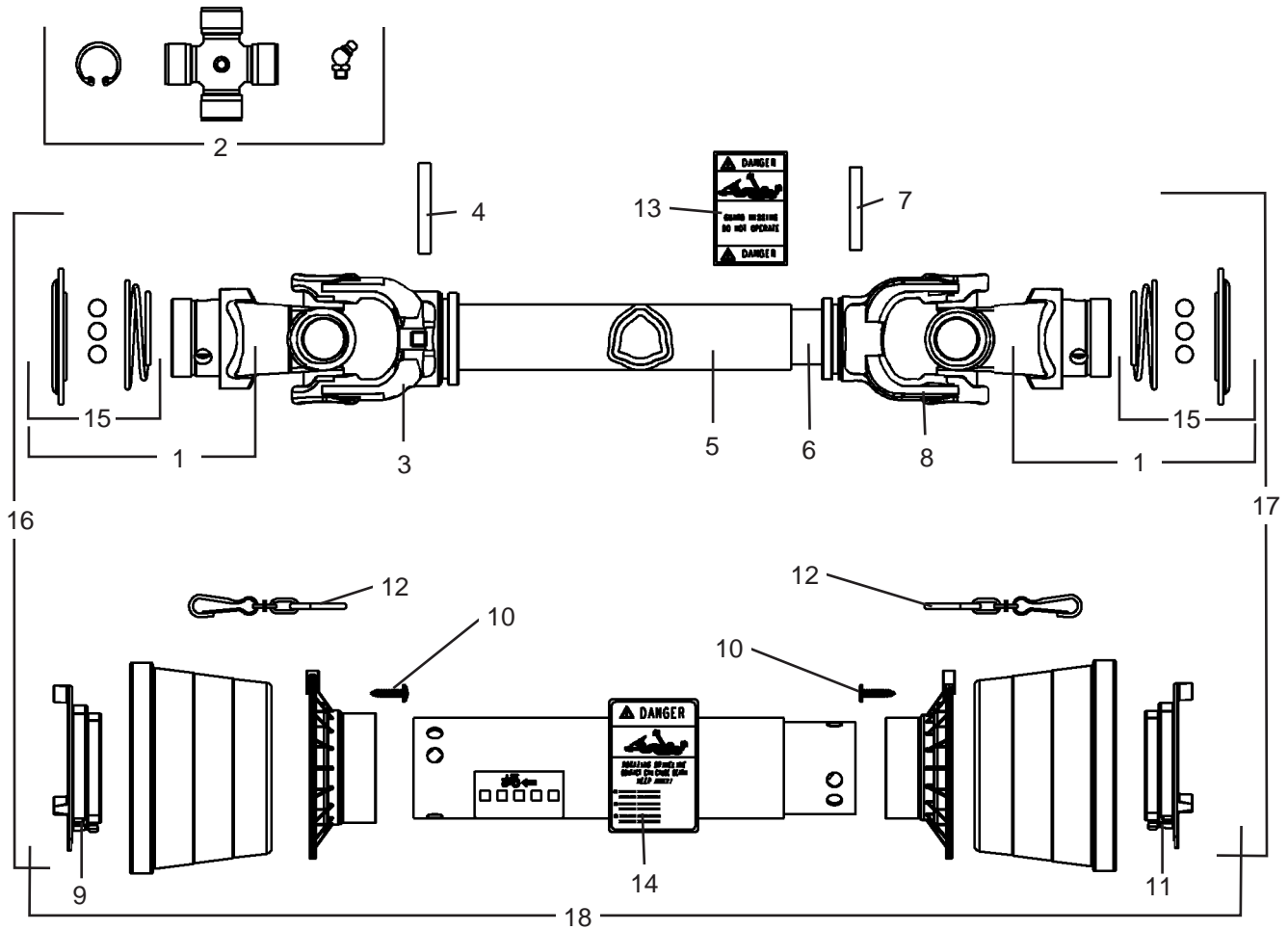
50063616SP DRIVE SHAFT ASSEMBLY

(Replaces the 50034246 Driveshaft Assy.)

MODELS: ATH 600, ATH720

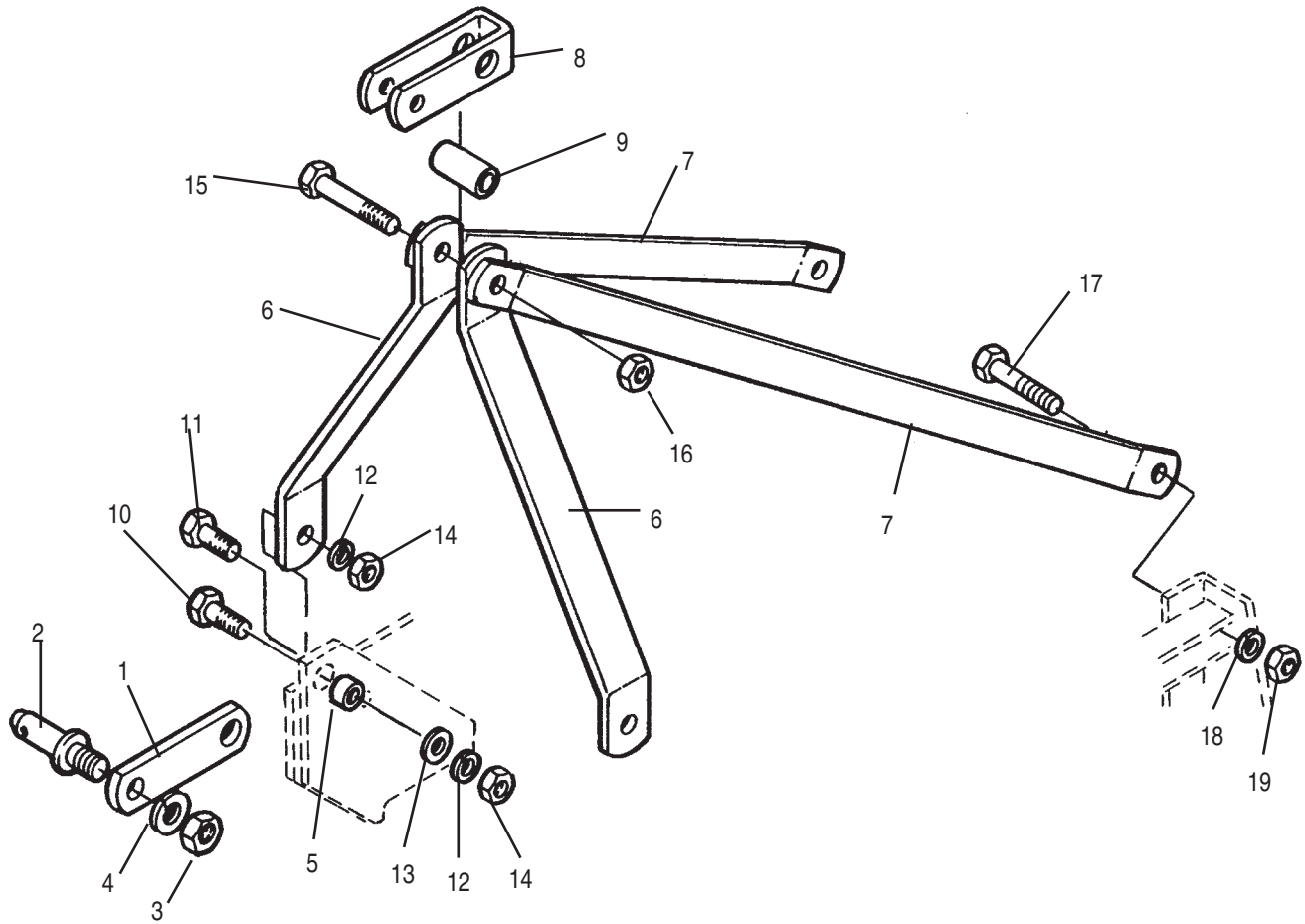
540 RPM, 1-3/8" - Spline Tractor

Mfd. by Bondioli & Pavesi



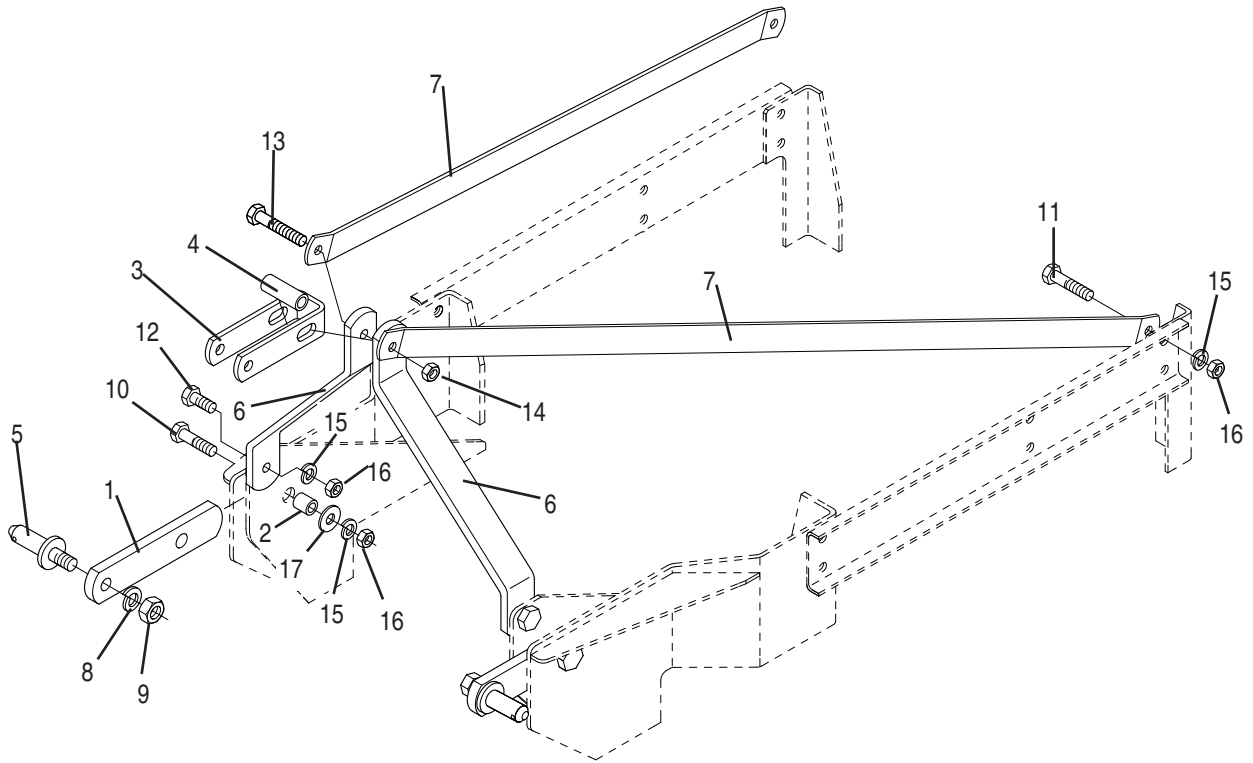
REF. NO.	PART NO.	QTY.	DESCRIPTION
1	50064902	2	Ball Collar Yoke Assy.
2	64964	2	Cross Bearing Kit
3	78571	1	Yoke Outer Tube
4	78577	1	Roll Pin for Outer Tube
5	50064906	1	Outer Tube
6	50064907	1	Inner Tube
7	78578	1	Roll Pin Inner Tube
8	78570	1	Yoke for Inner Tube
9	50064911	1	Outer Shield Bearing

REF. NO.	PART NO.	QTY.	DESCRIPTION
10	71404	6	Self Tapping Screw
11	50064912	1	Inner Shield Bearing
12	50064890	2	Shield Chain
13	78786	1	Danger Decal, Outer Tube
14	78608	1	Danger Decal, Inner Tube
15	50064645	2	Ball Collar Kit
16	50064914	1	Outer Half Assy.
17	50064940	1	Inner Half Assy.
18	50064916	1	Complete Shield Kit



**MAST AND SUPPORTS
FOR
ATH 600, 720 MODELS**

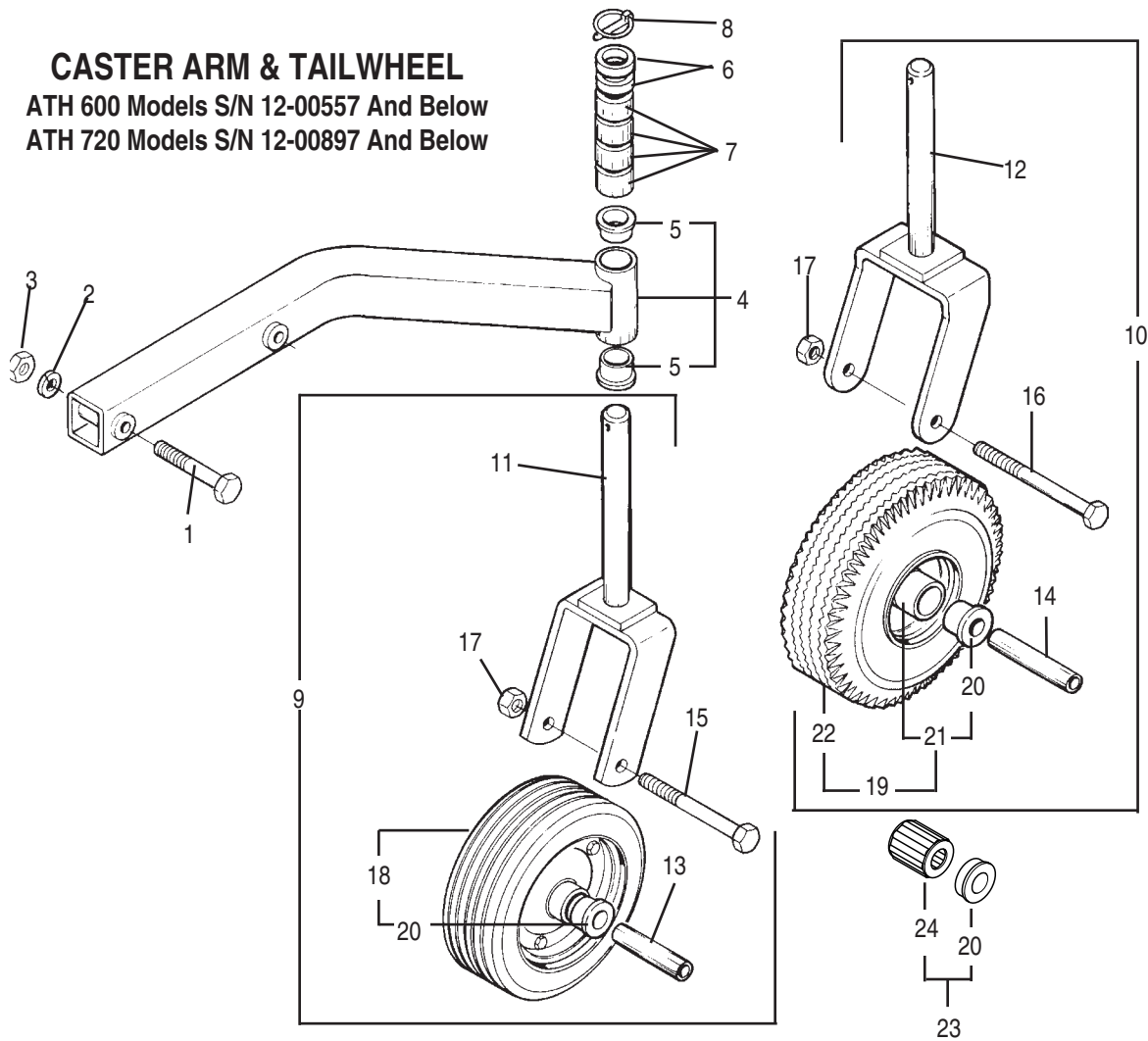
REF. NO.	PART NO.	QTY.	DESCRIPTION
1	88686	2	Lift Arm
2	63765	2	Lift Pin
3	44061	2	Hex Nut 7/8" UNF
4	15824	2	Lockwasher 7/8"
5	88687	2	Spacer
6	88678	2	Mast
7	88677	2	Mast Support
8	82815	1	Floating Top Link
9	82817	1	Pivot Tube
10	—	2	Capscrew 1/2" x 2" Gr. 5
11	—	2	Capscrew 1/2" x 1 1/2" Gr.5
12	—	4	Lockwasher 1/2"
13	—	2	Flatwasher 1/2"
14	—	4	Hex Nut 1/2"
15	—	1	Capscrew 1/2" x 5" Gr.5
16	15554	1	Locknut 1/2"
17	—	2	Capscrew 5/8" x 4" Gr. 5
18	—	2	Lockwasher 5/8"
19	—	2	Hex Nut 5/8"



**MAST AND SUPPORTS
FOR
ATH 900 MODELS**

REF. NO.	PART NO.	QTY.	DESCRIPTION
1	90703	2	Lift Arm
2	90795	2	Lift Arm Spacer
3	64114	1	Flex Link
4	64113	1	Pivot Tube
5	63765	2	Lift Pin Cat. 1
6	90720	2	Mast
7	90749	2	Mast Support
8	15824	2	Lockwasher 7/8"
9	44061	2	Hex Nut 7/8"
10	—	2	Capscrew 5/8" x 2 1/2" Gr. 5
11	—	2	Capscrew 5/8" x 4" Gr. 5
12	—	2	Capscrew 5/8" x 2" Gr.5
13	20923	1	Capscrew 5/8" x 6" Gr.5
14	09162000	1	Locknut 5/8"
15	—	6	Lockwasher 5/8"
16	—	6	Hex Nut 5/8"
17	—	2	Flatwasher 5/8"

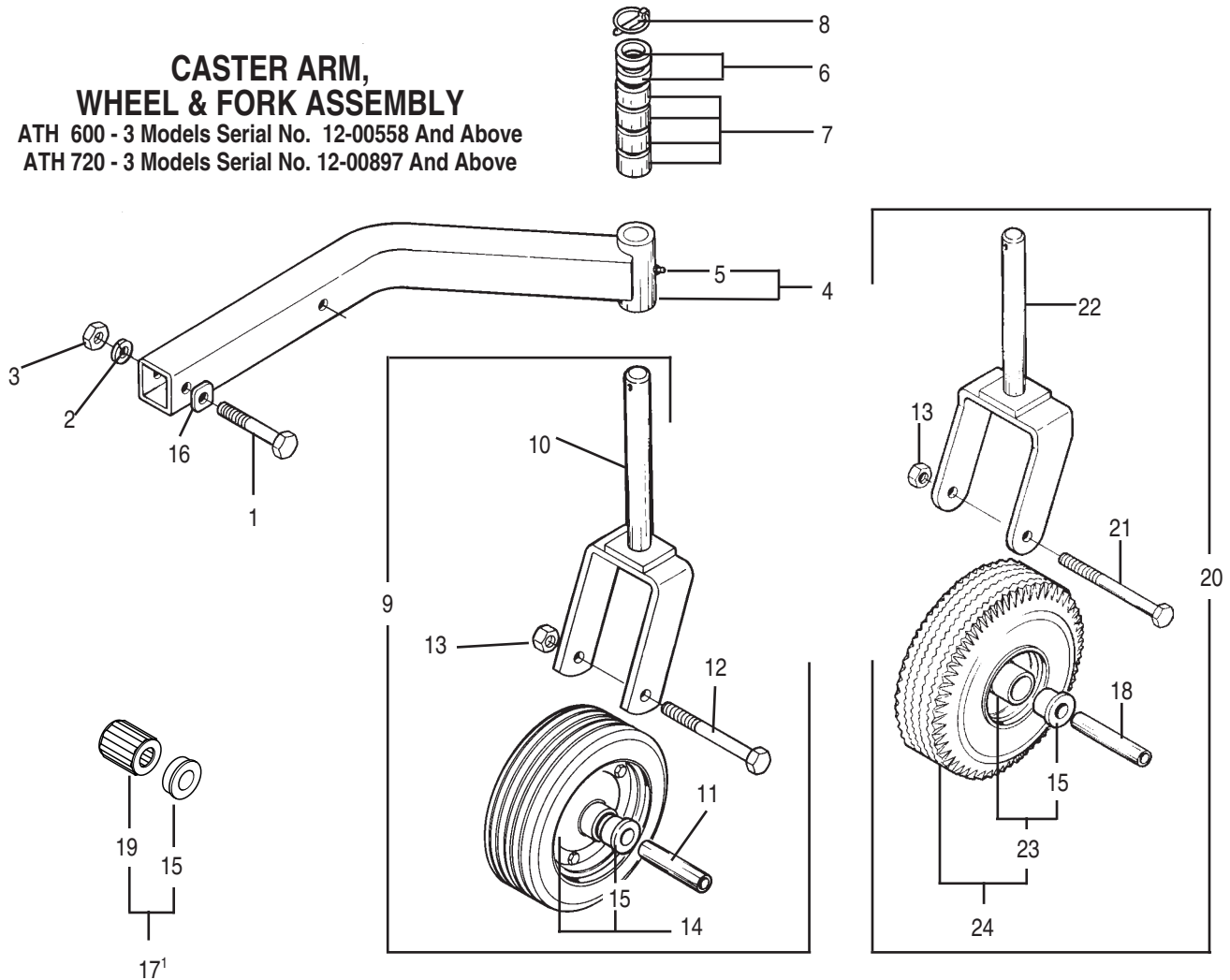
CASTER ARM & TAILWHEEL
 ATH 600 Models S/N 12-00557 And Below
 ATH 720 Models S/N 12-00897 And Below



REF. NO.	PART NO.	QTY.	DESCRIPTION
1	—	6	Capscrew 5/8" x 3 1/2" Gr.5
2	—	6	Lockwasher 5/8"
3	—	6	Hex Nut 5/8"
4	88682	4	Caster Arm Assy.
5	88691	2	Bushing
6	84612	4	Spacer 1/2"
7	84613	8	Spacer 1"
8	20312	2	Lynch Pin
9	88683	2	Wheel & Fork Assy. (Solid Tire)
10	88956	2	Wheel & Fork Assy. (Pneumatic Tire)
11	88695	1	Fork Weld. for Solid Tire
12	88973	1	Fork Weld. for Pneumatic Tire
13	62574	1	Sleeve (Solid Tire)
14	88970	1	Sleeve (Pneumatic Tire)
15	20496	1	Capscrew 1/2" x 5-1/2" (Solid Tire)
16	20776	1	Capscrew 1/2" x 6" (Pneumatic Tire)
17	15554	1	Locknut 1/2"
18	87750	1	Solid Tire Assy.
19	88957	1	Pneumatic Tire Assy.
20	85398	2	Bushing
21	88971	1	Rim w/ Bushings
22	88969	1	Pneumatic Tire 410/350/4
23	91096	1	Roller Bearing Kit (Items 20, 24) Optional
24	90810	1	Roller Bearing

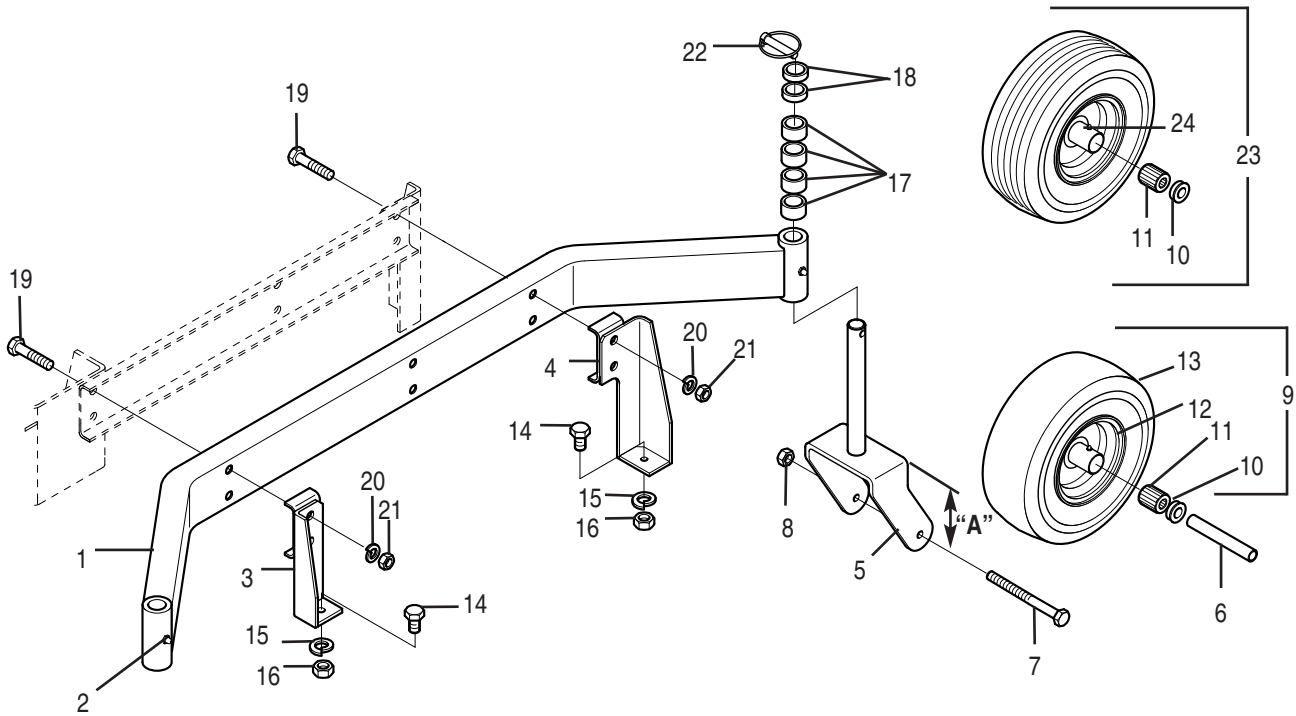
CASTER ARM, WHEEL & FORK ASSEMBLY

ATH 600 - 3 Models Serial No. 12-00558 And Above
ATH 720 - 3 Models Serial No. 12-00897 And Above



REF. NO.	PART NO.	QTY.	DESCRIPTION
1	—	6	Capscrew 5/8" x 3 1/2" Gr. 5
2	—	6	Lockwasher 5/8"
3	—	6	Hex Nut 5/8"
4	90659	4	Caster Arm Assy.
5	449	1	Grease Fitting
6	84612	4	Spacer 1/2"
7	84613	8	Spacer 1"
8	20312	2	Lynch Pin
9	88683	2	Wheel and Fork Assy. (Solid Tire)
10	88695	1	Fork Weld. (Solid Tire)
11	62574	1	Sleeve
12	20496	1	Capscrew 1/2" x 5-1/2" Gr.5 (Solid Tire)
13	15554	1	Locknut 1/2"
14	87750	1	Solid Tire Assy.
15	85398	2	Bushing
16	90653	8	Reinforcing Plate
17	91096	1	Roller Bearing Kit (Optional replacement) ¹
18	88970	1	Sleeve (Pneumatic Tire)
19	90810	1	Roller Bearing
20	88956	2	Wheel & Fork Assembly (Pneumatic Tire)
21	20776	1	Capscrew 1/2" x 6" (Pneumatic Tire)
22	88973	1	Fork Weldment (Pneumatic Tire)
23	88971	1	Rim w/ Bushings
24	88957	1	Pneumatic Tire Assembly

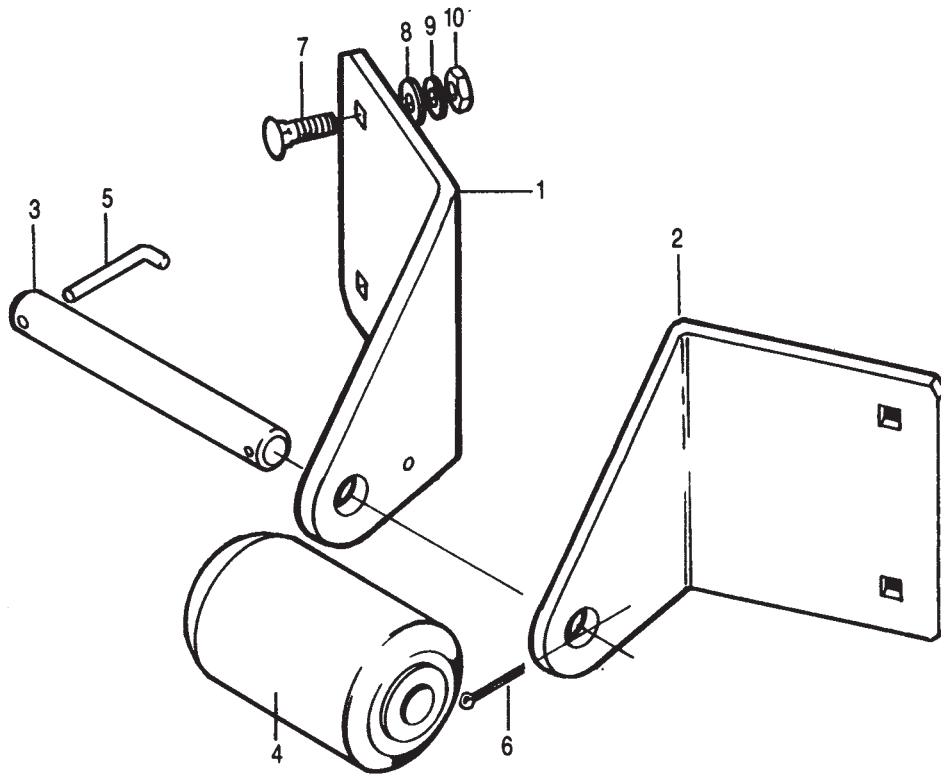
¹91096 Roller Bearing Kit includes (Qty. 4) 90810 Bearings and (Qty. 8) 85398 Bushings.



CASTER ARM, FORK AND WHEEL
ATH 900 Models

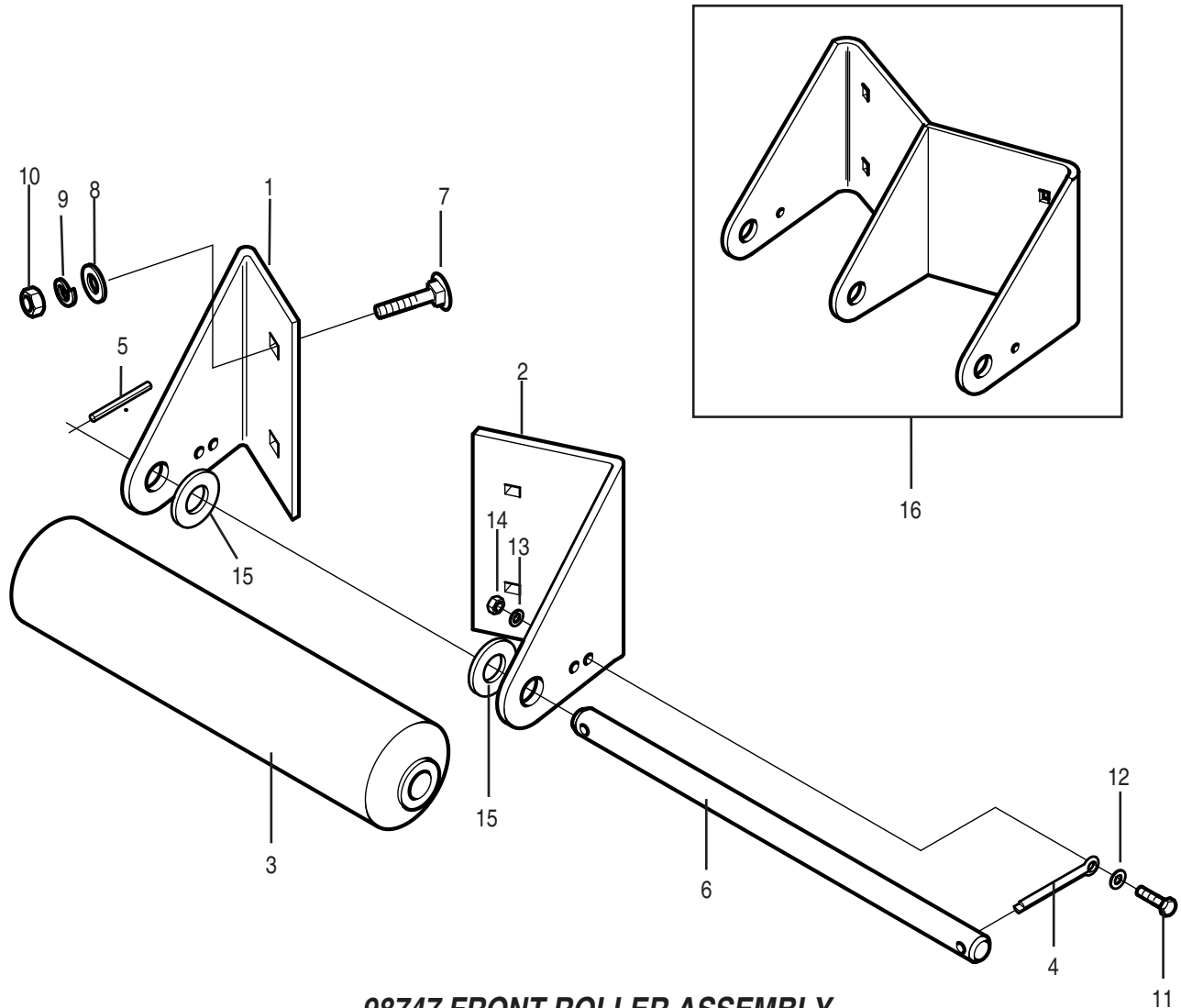
REF. NO.	PART NO.	QTY.	DESCRIPTION
1	90705	2	Caster Arm w/ Grease Fitting
2	449	4	Grease Fitting
3	90759	1	Front Mount L.H. (Shown)
	90758	1	Front Mount R.H. (Not Shown)
4	90757	1	Rear Mount L.H. (Shown)
	90756	1	Rear Mount R.H. (Not Shown)
5	90799	1	Fork Weldment ("A" = 7.12 Old Style) ¹
	91129	1	Fork Weldment ("A" = 7.62 New Style) ¹
6	90798	1	Sleeve
7	44242	1	Cap screw 1/2" x 7 1/2"
8	09161600	1	Locknut 1/2"
9	90794	1	Wheel Assembly, Pneumatic Tire
10	50047025	2	Bushing
11	90810	2	Roller Bearing
12	90811	1	Wheel
13	90809	1	Pneumatic Tire 13 / 500 - 6.4 ply
14	—	4	Cap screw 1/2" x 1" Gr.5
15	—	4	Lockwasher 1/2"
16	—	4	Hex Nut 1/2"
17	90736	16	Long Spacer 1"
18	90735	8	Short Spacer 1/2"
19	—	8	Cap screw 5/8" x 4" Gr.5
20	—	8	Lockwasher 5/8"
21	—	8	Hex Nut 5/8"
22	20558	4	Lynch Pin
23	50021325	1	Wheel Assembly, 13" Solid Tire
24	—	1	Lube Fitting

¹There is a 1/2" difference between the old and new style forks.
 Do not interchange on machines.



**FRONT ROLLER ASSY.
FOR
ATH 600 & 720**

REF. NO.	PART NO.	QTY.	DESCRIPTION
1	88735	1	Right Roller Mount ATH 600
	88903	1	Right Roller Mount ATH 720
2	88736	1	Left Roller Mount ATH 600
	88904	1	Left Roller Mount ATH 720
3	83055	1	Roller Shaft
4	79057	1	Roller
5	83054	1	Retainer Pin
6	19443	1	Roll Pin
7	05161212	4	Carriage Bolt 3/8" x 1 1/4"
8	—	4	Flatwasher 3/8"
9	—	4	Lockwasher 3/8"
10	—	4	Hex Nut 3/8"



98747 FRONT ROLLER ASSEMBLY
For ATH 900

REF. NO.	PART NO.	QTY.	DESCRIPTION
1	98746	1	Roller Mount, Right
2	98745	1	Roller Mount, Left
3	95415	1	Roller Assembly
4	15473	1	Cotter Pin 1/4" x 2-1/2"
5	19443	1	Roll Pin 3/16" x 2"
6	95416	1	Roller Shaft
7	5161212	4	Carriage Bolt 3/8" x 1-1/4"
8	—	4	Flatwasher 3/8"
9	—	4	Lockwasher 3/8"
10	—	4	Hex Nut 3/8"
11	—	1	Capscrew 1/4" x 1"
12	—	1	Flatwasher 1/4"
13	—	1	Lockwasher 1/4"
14	—	1	Hex Nut 1/4"
15	—	2	Flatwasher 3/4"
16	90710	1	Roller Mount Weldment (Old Style)



BUSH HOG[®]

2501 Griffin Ave. • Selma, AL 36703
(334) 872-6261 • (334) 874-2700
Parts Ordering 1-800-304-2836
Fax 1-800-572-1784
www.bushhog.com