

# **STX2 SERIES TRUCK AUGERS**

**WESTFIELD** 



# STX2 TRUCK AUGER

STX2 80 | UP TO 3,500 BPH | 31'-51' LENGTHS

STX2 100 | UP TO 5,500 BPH | 31'-51' LENGTHS

Westfield's redesigned truck auger has been engineered to withstand the demands of farming today. The STX2 was built for durability, longevity and capacity. With the STX2, you'll get the job done fast.

## | DURABLE – BUILT TO LAST LONG

The STX2 features a heavy-duty motor mount designed to handle high horsepower, heavy auger engines, giving you the flexibility to use the engine you want. Like all Westfield augers, the flighting includes Wear Edge Technology™, which provides an extra layer of steel welded to the edge at critical wear points. The purpose-built hose routing provides a cleaner sleeker look and protects the hoses from the elements and the powder coat paint protects and provides a long lasting durable finish. The 10" models use square, one-bolt flight connections to ensure the flighting maintains proper alignment for smooth operation.

## | FAST – DESIGNED FOR HIGH CAPACITY

The STX2 uses double banded belts that are molded together as one to transfer maximum power from the engine to the gearboxes to maintain consistent speed when the auger is running.

## | SIMPLE - DEVELOPED FOR EASE-OF-USE

Westfield's STX2 is designed with end users in mind. The belt tensioner is designed to engage and disengage the flighting and can be adjusted without tools, eliminating the need to lift the motor. The self-leveling motor maintains proper tension at all heights, so there is no need to reset the belt tension once the auger is raised into position. This means there is less slippage so you can get the job done faster.

## | LOW MAINTENANCE – WORK MORE, WORRY LESS

The drive shaft bearings are constructed of durable oil impregnated hardwood for long, quiet operation and can be easily replaced if needed without disassembling the drive shaft. The bearing brackets are factory jig welded to ensure precise alignment. The chain tensioner on the top drive can be easily adjusted and provides consistent chain drive tension, helping to prolong the life of the chain.

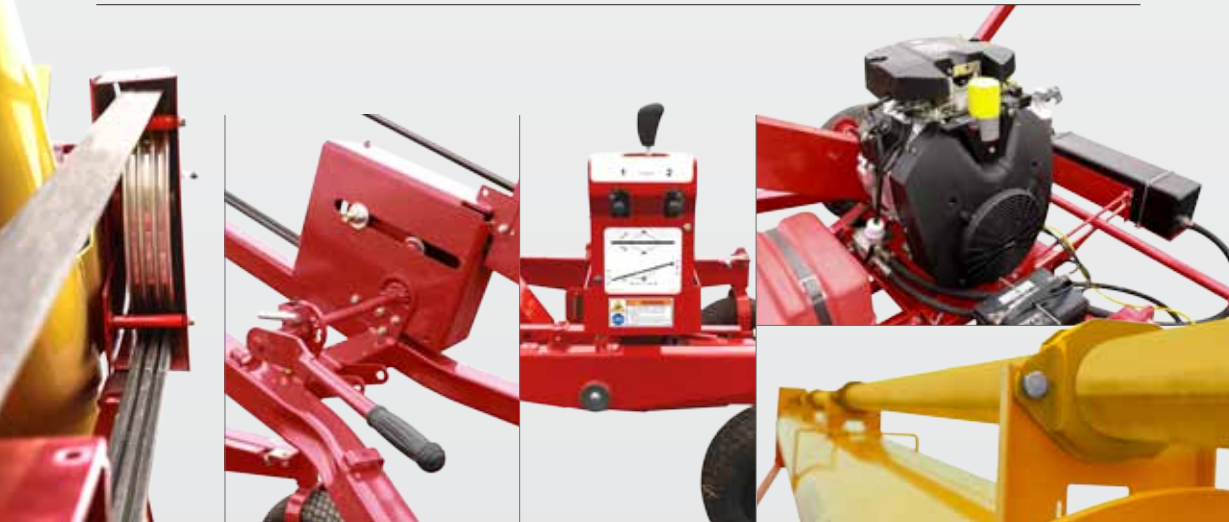
## | CONVENIENT – EASY TO TRANSPORT

The STX2 features a quick detach tow hitch that can be stored on the auger so it's ready to go when you need it. Moving around the yard is easy with the optional Heavy-duty mover kit.

## OPTIONS + ACCESSORIES

### | REVERSING GEARBOX

The reversing gearbox allows the auger to be reversed at all angles and includes the linkage and lockout for easy clean-out.



## HEAVY-DUTY MOVER

The optional self-propelled, heavy-duty mover kit features four-wheel steering and rugged all terrain tires. The controls and steering are conveniently mounted to the side for easy access. The heavy-duty mover kit maneuvers the auger over rough terrain with ease using the manual or hydraulic joystick steering. A standard mover kit is also available.



STX2 10-41 with Optional HD Mover



### ELECTRIC CLUTCH WITH REMOTE

The electric clutch with remote allows you to start and stop the auger without shutting down gas engine drives.



### STEEL INTAKE HOPPER

The steel intake hopper is self-leveling and has a tapered transition that works with the flighting to direct the flow of grain from the hopper into the auger. The steel intake hopper has a removable access plate for easy cleanout and the flighting features Wear Edge Technology™. The steel intake hopper comes complete with a tow hitch. An optional wheel kit is available and allows the height to be adjusted for positioning.



### POLY HOPPER

Durable, flexible poly hoppers are available in two sizes; the regular poly hopper is ideal for 8" augers and the larger "V" hopper is available for 10" augers. Poly hoppers provide easy grain handling with minimum spillage.



### LED WORKING LIGHTS

LED working lights are mounted to the auger to provide extra lighting in low-light situations, allowing you to work longer when needed.



### POLY FLEX SPOUT

The durable poly flex spout features a five-section flex bucket designed to withstand the elements. Poly spouts help direct grain and prevent spillage so nothing is wasted.



# STX2

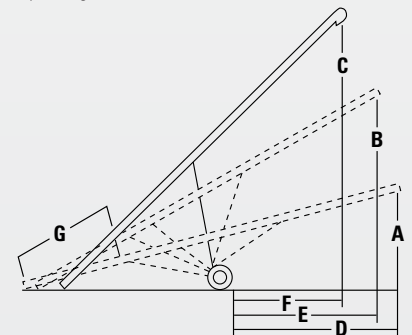
## AUGER SPECIFICATIONS

	STX2 8-31	STX2 8-36	STX2 8-41	STX2 8-46	STX2 8-51	STX2 10-31	STX2 10-36	STX2 10-41	STX2 10-51
TUBING GAUGE	14 GA					12 GA			
TUBE CONNECTORS	Heavy-duty 3/16" Angle Flange								
MAIN FLIGHTING	7" OD x 10 GA Stretched + Welded					9" OD x 7 GA Stretched + Welded			
INTAKE FLIGHTING	10 GA Welded with Wear Edge™ Lower Pitch for High Capacity								
FLIGHTING SHAFT	High Strength 1.66" OD x 11 GA Tubing					High Strength 2" OD x 11 GA Tubing			
DRIVESHAFT	1-1/4" OD x 11 GA Tubing								
DRIVESHAFT BEARINGS	1-1/4" Oil Impregnated Hardwood Bearings								
TUBE TRUSSING	N/A	N/A	N/A	5/16" Aircraft Galv. Steel Cable	N/A	N/A	N/A	N/A	5/16" Aircraft Cable
TRACK	High Yield 11 GA Roll Formed								
TRACK SHOE	2-3/4" Steel Roller								
UNDERCARRIAGE	2-1/2" Square Tubing								
AXLES	2-1/2" Square Tubing								
HUB & WHEELS	4 Bolt Agricultural Type Hubs, 15" Wheel								
LIFT CABLE	1/4" Aircraft Type Galvanized Steel Cable								
TIRES	15 Agricultural Tires								
TOP DRIVE	#80 Roller Chain & Hardened Steel Sprockets								
TOP DRIVE BEARINGS	1-1/4" Pillow Block								
WINCH	Reduction Geared with Automotive Brake								
GEARBOX	Formed Steel Gears with Tapered Roller Bearings								
WHEEL THREAD	96"								
GAS HORSE POWER	16	16 - 18	18 - 20	22 - 25	25 - 30	25	25 - 30	30 - 35	35 - 38
ELECTRIC HORSEPOWER	5	5 - 7 1/2	5 - 7 1/2	7 1/2	10 - 15	10 - 15	15	15	15

## HEIGHT, REACH & WHEEL SPECIFICATIONS

	A	B	C	D	E	F	G
	Height Lowered	Height Halfway	Height Raised	Reach Lowered	Reach Halfway	Reach Raised	Intake Reach
STX2 8-31	7' 1"	11' 9"	18' 10"	13' 1"	12' 9"	11' 7"	8' 5"
STX2 8-36	8'	14' 1"	22' 1"	15'	14' 5"	13' 2"	10'
STX2 8-41	8' 4"	16' 4"	24' 6"	16' 9"	16' 5"	15' 9"	12' 1"
STX2 8-46	10'	17'	26' 1"	18' 6"	18' 4"	17' 3"	14'/10'
STX2 8-51	10' 6"	19' 9"	29'	19' 3"	18' 7"	17' 7"	16' 1"
STX2 10-31	7' 1"	11' 9"	18' 10"	13' 1"	12' 9"	11' 7"	8' 7"
STX2 10-36	8'	14' 1"	22' 1"	15'	14' 5"	13' 2"	10' 2"
STX2 10-41	8' 4"	16' 4"	24' 6"	16' 9"	16' 5"	15' 9"	12' 3"
STX2 10-51	10' 6"	19' 9"	29'	19' 3"	18' 7"	17' 7"	16' 3"

Heights measured from bottom of auger spout to ground.



**SAFETY FIRST**

Westfield augers are designed with operator safety in mind. For more information on how to safely operate your Westfield auger, please refer to the product manual or visit [grainaugers.com](http://grainaugers.com).

Westfield is an AGI brand.

AGI is a leading manufacturer of grain, seed, feed, food and fertilizer handling, blending, storage and conditioning equipment. Our brands are amongst the most recognized in the industry. The AGI product catalog includes portable handling equipment (augers, belt conveyors, grain vacs), permanent handling systems (bucket elevators, enclosed belt conveyors, chain conveyors, structural) and storage systems (aeration, drying, bins/silos, monitoring) that service various sectors for on-farm and commercial operations.

# WESTFIELD

Box 39, 74 Main Street, Rosenort, Manitoba, Canada R0G 1W0  
866.467.7207 | [grainaugers.com](http://grainaugers.com)

14-15193

1217-3000

