

# 2815R1, 2810R1 12815R1, 12810R1

## BUSH HOG®

### FLEX WING ROTARY CUTTER

Revised 02/19

# PARTS MANUAL SECTION 95



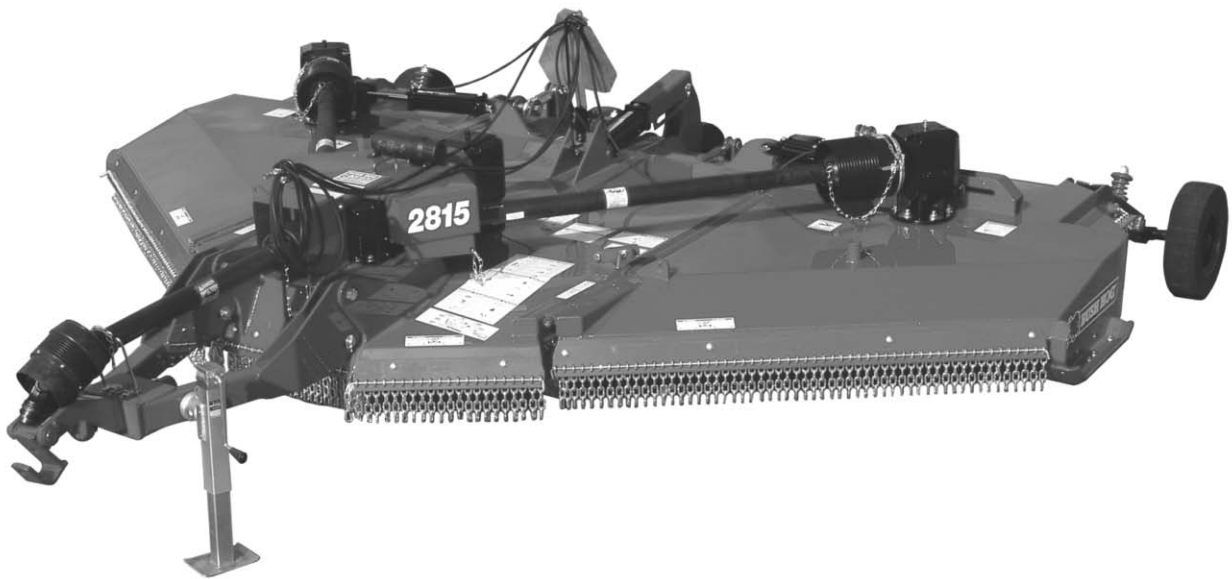
An Operator's Manual was shipped with the equipment. The Operator's Manual is an integral part of the safe operation of this machine and must be maintained with the unit at all times. **READ, UNDERSTAND, and FOLLOW** the Safety and Operation Instructions contained in this manual before operating the equipment. If the Operator's Manual is not with the equipment, contact your dealer or Bush Hog to obtain a copy before operating the equipment.

Safety Video

**Important Operating and Safety Instructions** are found in the Mower Safety Video that can be instantly accessed on the internet at: [www.algqr.com/bve](http://www.algqr.com/bve)



[www.algqr.com/bve](http://www.algqr.com/bve)



### BUSH HOG®

2501 Griffin Ave.  
Selma, AL 36703  
Parts Ordering 1-800-304-2836  
[www.bushhog.com](http://www.bushhog.com)

## ATENCIÓN!

LEA EL INSTRUCTIVO

Si No Lee Ingles, Pida Ayuda a Alguien  
Que Si Lo Lea Para Que le Traduzca las  
Medidas de Seguridad.



**A** MEMBER OF THE  
ALAMO GROUP  
ALWAYS ON THE CUTTING EDGE®

© 2012 Alamo Group Inc.

## PARTS ORDERING GUIDE

The following instructions are offered to help eliminate needless delay and error in processing purchase orders for the equipment in this section.

1. The Parts Section is prepared in logical sequence and grouping of parts that belong to the basic machine featured in this manual. Part Numbers and Descriptions are given to help locate the parts and quantities required.
2. The Purchase Order must include the name and address of the person or organization ordering the parts, who should be charged, and if possible, the serial number of the machine for which the parts are ordered.
3. The Purchase Order must clearly list the quantity of each part, the complete and correct part number (be sure to include all periods), and the basic name of the part.
4. The Manufacturer reserves the right to substitute parts where applicable.
5. Some parts are unlisted items which are special production items not normally stocked and are subject to special handling. Request a quotation for such parts before sending a Purchase Order.
6. The Manufacturer reserves the right to change prices without prior notice.



For maximum safety and to guarantee optimum product reliability, always use genuine BUSH HOG Parts. The use of inferior replacement parts may cause premature or catastrophic failure which could result in serious injury or death. Direct any questions regarding parts to:

**BUSH HOG**  
**2501 Griffin Ave.**  
**Selma, AL 36703**  
**[www.bushhog.com](http://www.bushhog.com)**  
**Contact Us**  
**800-304-2836**



**BUSH HOG®**

# To the Owner/Operator/Dealer

All implements with moving parts are potentially hazardous. There is no substitute for a cautious, safe-minded operator who recognizes the potential hazards and follows reasonable safety practices. The manufacturer has designed this implement to be used with all its safety equipment properly attached to minimize the chance of accidents.

**BEFORE YOU START!** Read the safety messages on the implement and shown in your manual. Observe the rules of safety and common sense!



# DANGER

FAILING TO FOLLOW SAFETY MESSAGES AND OPERATING INSTRUCTION CAN CAUSE SERIOUS BODILY INJURY OR EVEN DEATH TO OPERATOR AND OTHERS IN THE AREA.

<p>1.</p> 	<p>2. NO RIDERS. NO CHILDREN OPERATORS</p> 	<p>3. USE SAFETY SHOES, HARD HAT, SAFETY GLASSES, SEAT BELTS, ROPS &amp; OPS.</p> 	<p>4. BLOCK UP SECURELY BEFORE WORKING UNDER.</p> 
---	--	--	---

1. Study and understand Operator's Manuals, Safety Decals, and Instructional Decals for tractor and implement to prevent misuse, abuse, and accidents. Practice before operating in a confined area or near passersby.
  - Learn how to stop engine suddenly in an emergency. Be alert for passersby and especially children.
2. Allow no children on or near folding mower or tractor. Allow no riders on tractor or implement. Falling off may cause serious injury or death from being run over by tractor or mower or contact with rotating blades.
3. Operate only with tractor having Roll-Over Protective Structure (ROPS) and with seat belt securely fastened to prevent injury and possible death from falling off or tractor overturn.
  - Personal Protective Equipment such as Hard Hat, Safety Glasses, Safety Shoes, & Ear Plugs are recommended.
4. Block up or support raised machine and all lifted components securely before putting hands or feet under or working underneath any lifted component to prevent crushing injury or death from sudden dropping or inadvertent operation of controls. Make certain area is clear before lowering or folding.
5. Before transporting, put Lift Lever in detent or full-lift position. Install Transport Safety Devices securely on folding mowers. Put Booms securely in Transport Rest.
  - Folding and Boom Mowers have raised center of gravity. Slow down when turning and on hillsides.
6. Make certain that SMV sign, warning lights, and reflectors are clearly visible. Follow local traffic codes.
7. Never operate with Cutting Head or Folding Section raised if passersby, bystanders, or traffic are in the area to reduce possibility of injury or death from objects thrown by Blades under Guards or mower structure.
8. Before dismounting, secure implement in transport position or lower to ground.
  - Put tractor in park position or set brake, disengage PTO, stop engine, remove key, and wait until noise of rotation has ceased to prevent crushing by entanglement in rotating parts which could cause injury or death.
  - Never mount or dismount a moving vehicle. Crushing from runover may cause serious injury or death.

<p>5. TRANSPORT SAFELY, LOCK UP.</p> 	<p>6. USE SMV, LIGHTS, &amp; REFLECTORS.</p> 	<p>7. DO NOT OPERATE WITH CUTTER OR WING RAISED</p> 	<p>8. DO NOT MOUNT OR DISMOUNT WHILE MOVING.</p> 
--	--	--	--

02967827

## WARRANTY INFORMATION:

Read and understand the complete Warranty Statement found in this Manual. Fill out the Warranty Registration Form in full and return it to within 30 Days. Make certain the Serial Number of the Machine is recorded on the Warranty Card and on the Warranty Form that you retain.

# LIMITED WARRANTY



Bush Hog warrants to the original purchaser of any new Bush Hog equipment, purchased from an authorized Bush Hog dealer, that the equipment be free from defects in material and workmanship for a period of one (1) year for non-commercial, state and municipalities' use and ninety (90) days for commercial use from date of retail sale. The obligation of Bush Hog to the purchaser under this warranty is limited to the repair or replacement of defective parts.

Replacement or repair parts installed in the equipment covered by this limited warranty are warranted for ninety (90) days from the date of purchase of such part or to the expiration of the applicable new equipment warranty period, whichever occurs later. Warranted parts shall be provided at no cost to the user at an authorized Bush Hog dealer during regular working hours. Bush Hog reserves the right to inspect any equipment or parts which are claimed to have been defective in material or workmanship.

## DISCLAIMER OF IMPLIED WARRANTIES & CONSEQUENTIAL DAMAGES

Bush Hog's obligation under this limited warranty, to the extent allowed by law, is in lieu of all warranties, implied or expressed, **INCLUDING IMPLIED WARRANTIES OF MERCHANTABILITY AND FITNESS FOR A PARTICULAR PURPOSE** and any liability for incidental and consequential damages with respect to the sale or use of the items warranted. Such incidental and consequential damages shall include but not be limited to: transportation charges other than normal freight charges; cost of installation other than cost approved by Bush Hog; duty; taxes; charges for normal service or adjustment; loss of crops or any other loss of income; rental of substitute equipment, expenses due to loss, damage, detention or delay in the delivery of equipment or parts resulting from acts beyond the control of Bush Hog.

### THIS LIMITED WARRANTY SHALL NOT APPLY:

1. To vendor items which carry their own warranties, such as engines, tires, and tubes.
2. If the unit has been subjected to misapplication, abuse, misuse, negligence, fire or other accident.
3. If parts not made or supplied by Bush Hog have been used in connection with the unit, if, in the sole judgement of Bush Hog such use affects its performance, stability or reliability.
4. If the unit has been altered or repaired outside of an authorized Bush Hog dealership in a manner which, in the sole judgement of Bush Hog, affects its performance, stability or reliability.
5. To normal maintenance service and normal replacement items such as gearbox lubricant, hydraulic fluid, worn blades, or to normal deterioration of such things as belts and exterior finish due to use or exposure.
6. To expendable or wear items such as teeth, chains, sprockets, belts, springs and any other items that in the company's sole judgement is a wear item.

NO EMPLOYEE OR REPRESENTATIVE OF BUSH HOG IS AUTHORIZED TO CHANGE THIS LIMITED WARRANTY IN ANY WAY OR GRANT ANY OTHER WARRANTY UNLESS SUCH CHANGE IS MADE IN WRITING AND SIGNED BY BUSH HOG'S SERVICE MANAGER, 2501 GRIFFIN AVE., SELMA, ALABAMA 36703.



Record the model number, serial number and date purchased. This information will be helpful to your dealer if parts or service are required.

MODEL NUMBER \_\_\_\_\_

SERIAL NUMBER \_\_\_\_\_

DATE OF RETAIL SALE \_\_\_\_\_

MAKE CERTAIN THE WARRANTY  
HAS BEEN FILED WITH BUSH HOG  
SELMA, ALABAMA

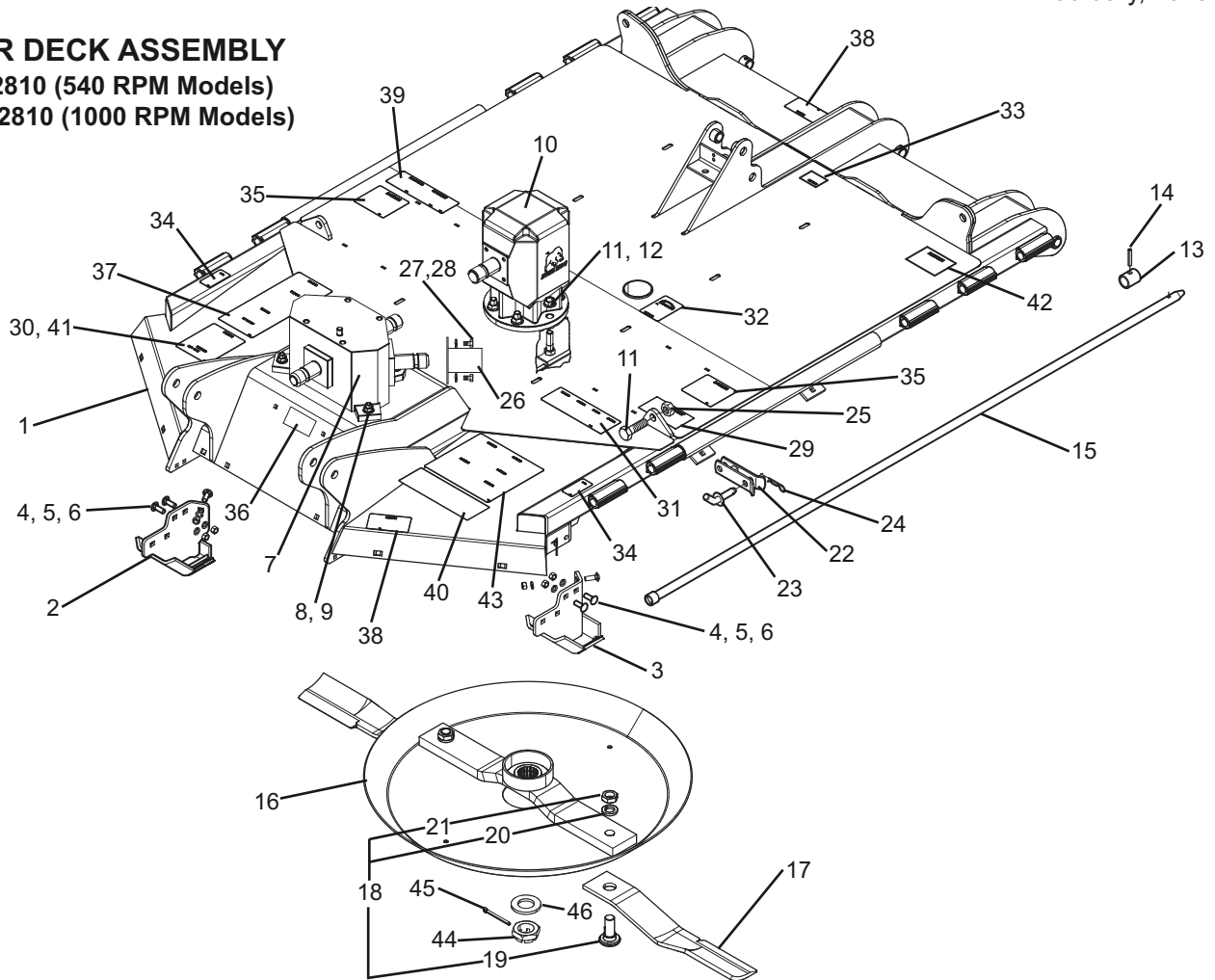
# 2815, 2810, 12815, 12810 ROTARY CUTTER

## ALPHABETICAL INDEX

<b>CONTENTS</b>	<b>PAGE</b>
Axle, Center & Wing Units .....	95-5-3
Axle, Single & Dual .....	95-5-4
Axle, Tandem.....	95-5-5
Baffle Kit.....	95-6-1
Base Assembly, Center .....	95-1-1
Base Assembly, R.H. Wing & L.H. Wing.....	95-1-2
Blades & Blade Holders .....	See Base Assemblies
Chain, Safety Tow.....	95-5-1
Chains, Highway Use .....	95-2-1 through 95-2-2
Cylinders, Hydraulic .....	95-7-2
Decal Kits .....	95-8-1, See Base Assemblies
Driveline Holder Assembly .....	95-5-2
Driveshafts, Comer / EG .....	95-4-1 through 95-4-6
Gearbox, Transfer (Mfg. by Bondioli & Pavesi).....	95-3-1
Gearbox, Center .....	95-3-2
Gearbox, L.H. Wing .....	95-3-2
Gearbox, R.H. Wing.....	95-3-3
Hitch Assemblies, Swivel Pivot .....	95-5-2
Hydraulic Fittings To Tractor Remotes .....	95-7-1
Jackstand .....	95-5-1
Leveling Rod Assembly .....	95-5-1
Shield, Wing Driveshafts.....	95-2-4
Shield Assembly, Center.....	95-2-3
SMV Sign & Hose Holder.....	95-1-4
Tire, Airplane.....	95-5-7
Tire, Solid & Foam Filled.....	95-5-6
Tongue Assembly .....	95-5-1
Weight Box Assembly, 2810 & 12810.....	95-1-3

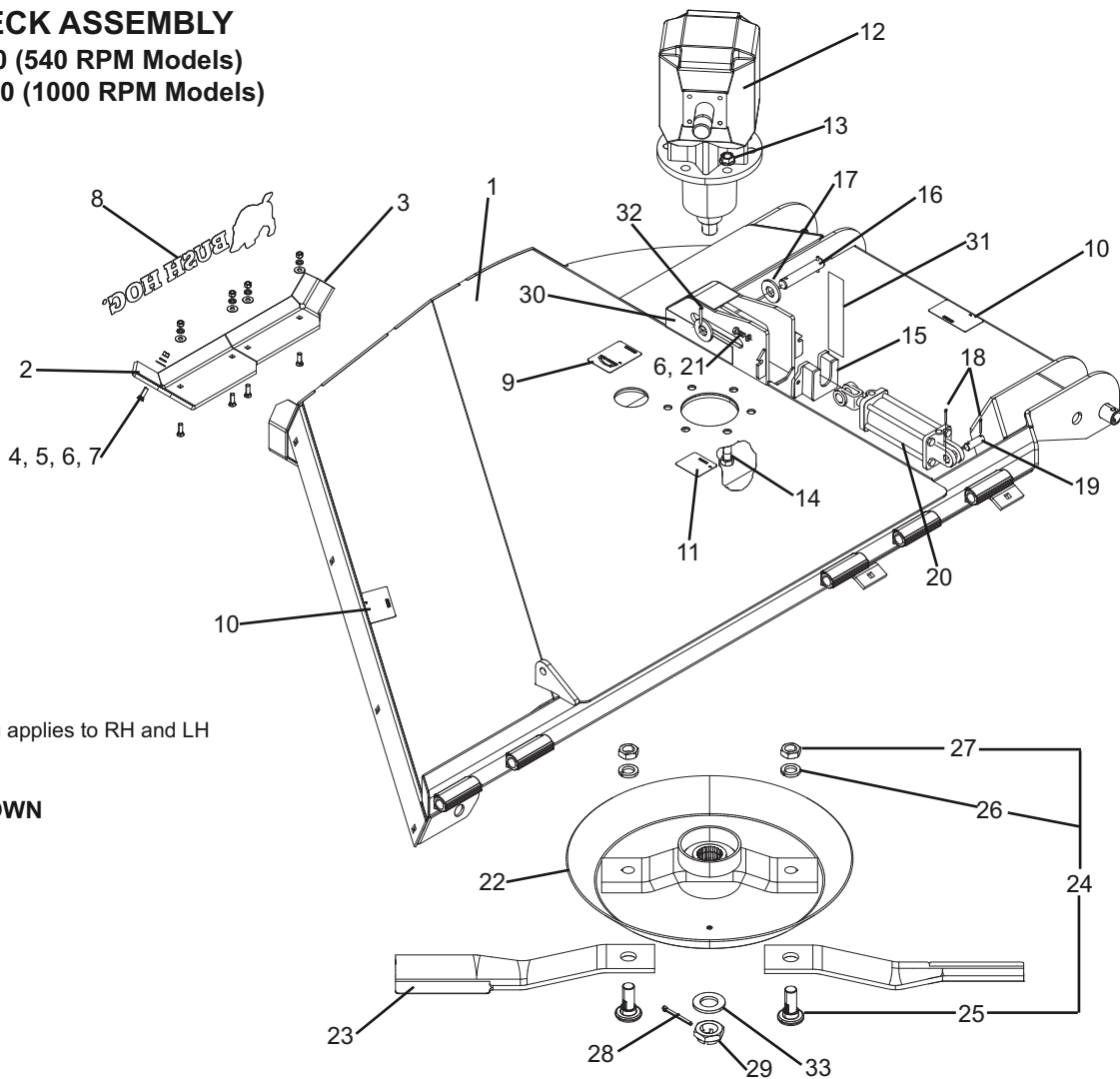


**CENTER DECK ASSEMBLY**  
**2815 & 2810 (540 RPM Models)**  
**12815 & 12810 (1000 RPM Models)**



REF. NO.	PART NO.	DESCRIPTION	QTY.	REF. NO.	PART NO.	DESCRIPTION	QTY.
1	50070389	Center Deck w/Decals	1	22	50028476	Wing Latch	2
	50070392	Center Deck w/Rings & Decals	1	23	84672	Pin	2
2	50076524	Skid R.H.	1	24	1273BH	Presto Pin	2
3	50076525	Skid L.H.	1	25	-----	Locknut, 3/4"	2
4	-----	Carriage Bolt, 1/2" x 1-1/2" Gr. 5	6	26	50028363	Shaft Cover (2810, 12810)	1
5	-----	Lockwasher, 1/2"	6	27	-----	Capscrew, M8 x 1.25 x 25	2
6	-----	Hex Nut, 1/2"	6	28	-----	Lockwasher, M8	2
7	*50045696	Transfer Gearbox (540 - B&P)	1	29	91443	Decal, Important	1
	*Replaced By 71202	Gearbox Assy.		30	D547	Decal, Danger	1
	50045697	Transfer Gearbox (1000 - B&P)	1	31	D813	Decal, Danger	1
8	-----	Capscrew, 5/8" x 2-1/4" Gr. 5	4	32	D551	Decal, Blade Rotation CCW	1
9	-----	Locknut, 5/8" Flanged	4	33	D544	Decal, Important	1
10	70996	Gearbox (540 RPM)	1	34	D555	Decal, Danger	2
	71198	Gearbox (1000 RPM)	1	35	D565	Decal, Danger	2
11	-----	Capscrew 3/4" x 2-1/2" Gr. 5	8	36	D546	Decal, Danger	1
12	-----	Locknut, 3/4" Flanged	6	37	D553	Decal, Warning	1
13	91900BH	Lock Collar	2	38	D614	Decal, Danger - Thrown Obj.	2
14	-----	Roll Pin, 3/8" x 1-1/2"	2	39	D559	Decal, Bush Hog Parts	1
15	50069410	Hinge Rod	2	40	D587	Decal, Lubrication	1
16	50070456	Pan Weldment	1	41	D548	Decal, Warning (1000 RPM Only)	1
17	50076631	Blade, Parallel Uplift	2	42	D575	Decal, Danger (Crushing Hazard)	1
18	63607	Blade Bolt Kit	2	43	D549	Decal, Sheet	1
19	7919BH	Blade Bolt	2	44	70418	Caster Nut, M36 x 3 (Blade Pan)	1
20	20322	Lockwasher, 1-1/8"	2	45	70419	Cotter Pin, 6 x 70	1
21	252BH	Jamb Nut, 1-1/8"	2	46	76664	Washer, Blank	1

**WING DECK ASSEMBLY**  
**2815 & 2810 (540 RPM Models)**  
**12815 & 12810 (1000 RPM Models)**



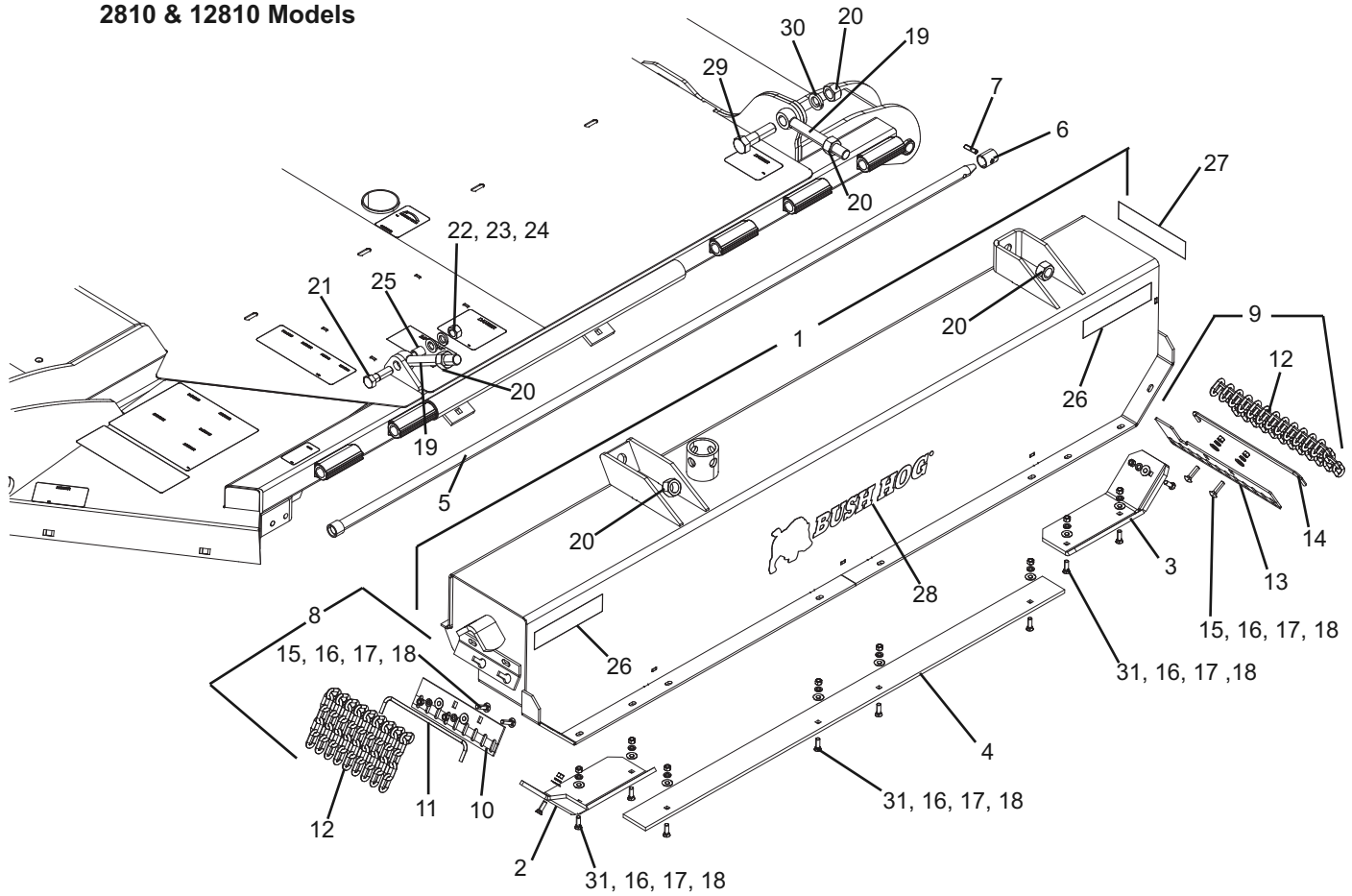
This Parts Listing applies to RH and LH Wings.

**RH WING SHOWN**

REF. NO.	PART NO.	DESCRIPTION	QTY.	REF. NO.	PART NO.	DESCRIPTION	QTY.
1	50070390	R.H. Wing Frame w/Decals	1	14	-----	Capscrew, 3/4" x 2-1/2" Gr. 5	6
	50070393	R.H. Wing Frame w/Rings & Decals	1	15	50031959	Push Over Assy	1
	50070388	L.H. Wing Frame w/Decals	1	16	87293	Cylinder Pin	1
	50070391	L.H. Wing Frame w/Rings & Decals	1	17	20376	Flatwasher, 1"	1
2	50069372	Front Skid R.H.	1	18	-----	Cotter Pin, 3/16" x 1-1/2"	2
	50069374	Front Skid L.H.	1	19	95425	Pin	1
3	50069369	Rear Skid R.H.	1	20	99564	Wing Lift Cylinder	1
	50069371	Rear Skid L.H.	1	21	-----	Capscrew, 3/8" x 1"	2
4	3161212	Plow Bolt, 3/8" x 1-1/4"	5	22	50070463	Pan Weldment	1
5	-----	Flatwasher, 3/8"	5	23	50076631	Blade, Uplift CCW R.H. Wing	2
6	-----	Lockwasher, 3/8"	6		50076632	Blade, Uplift CW L.H. Wing	2
7	-----	Hex Nut, 3/8"	5	24	63607	Blade Bolt Kit	2
8	50061049	Decal, Bush Hog	1	25	7919BH	Blade Bolt	2
9	D551	Decal, Blade Rot. CCW R.H. Wing	1	26	20322	Lockwasher, 1-1/8"	2
	D552	Decal, Blade Rot. CW L.H. Wing	1	27	252BH	Jamb Nut, 1-1/8"	2
10	D614	Decal, Thrown Object	2	28	70419	Cotter Pin	1
11	D546	Decal, Danger	1	29	70418	Castle Nut, M36 x 3 (Blade Pan)	1
12	70997	Gearbox R.H. 540 RPM	1	30	50031212	Reflector, Amber	1
	70996	Gearbox L.H. 540 RPM	1	31	50031214	Reflector, Red	1
	70999	Gearbox R.H. 1000 RPM	1	32	20325	Roll Pin, 1/4" x 1-3/4"	1
	70998	Gearbox L.H. 1000 RPM	1	33	76664	Washer, Blank	1
13	20299	Locknut, 3/4" Flanged	6				

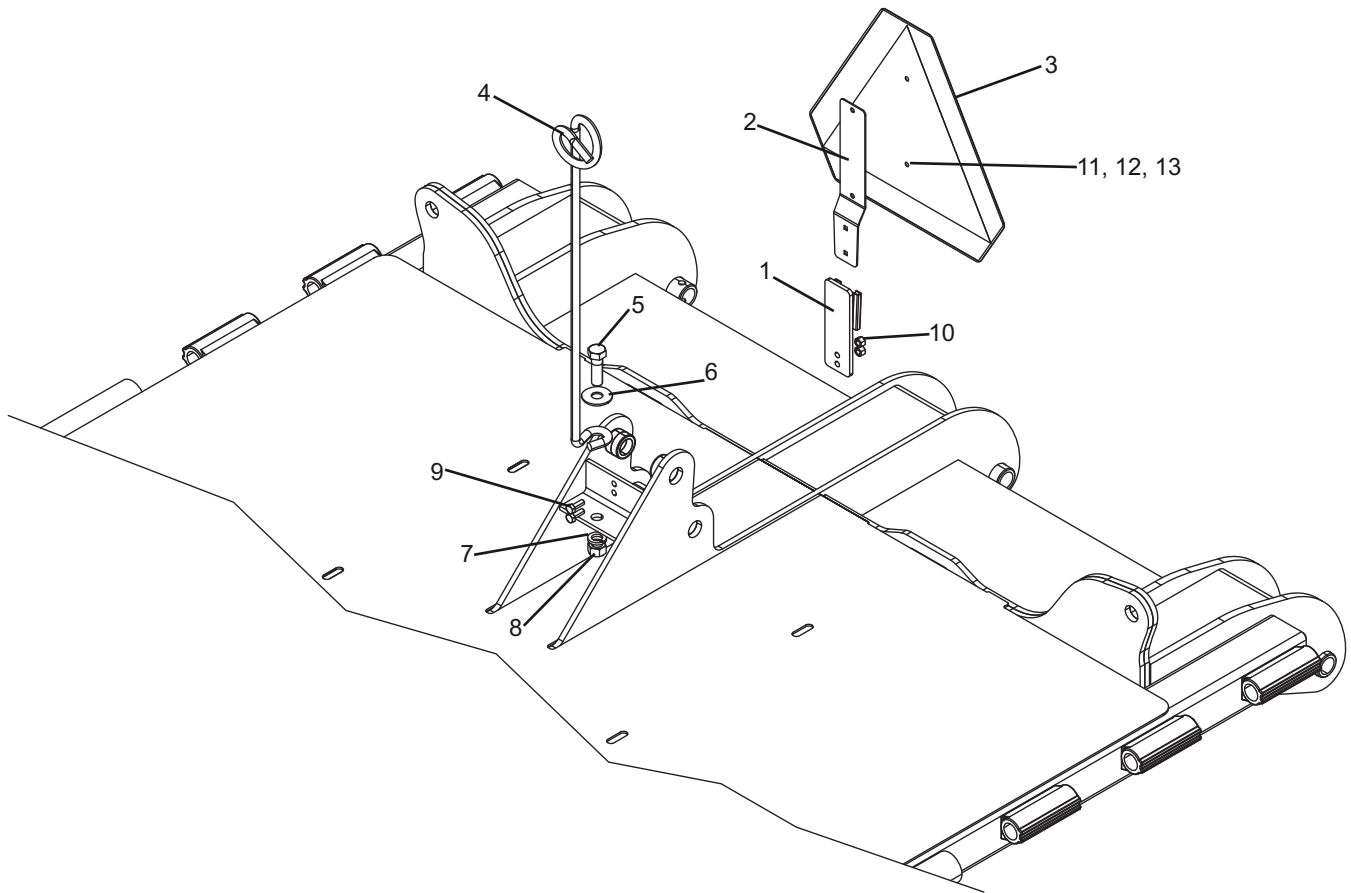


**WEIGHT BOX ASSEMBLY**  
2810 & 12810 Models



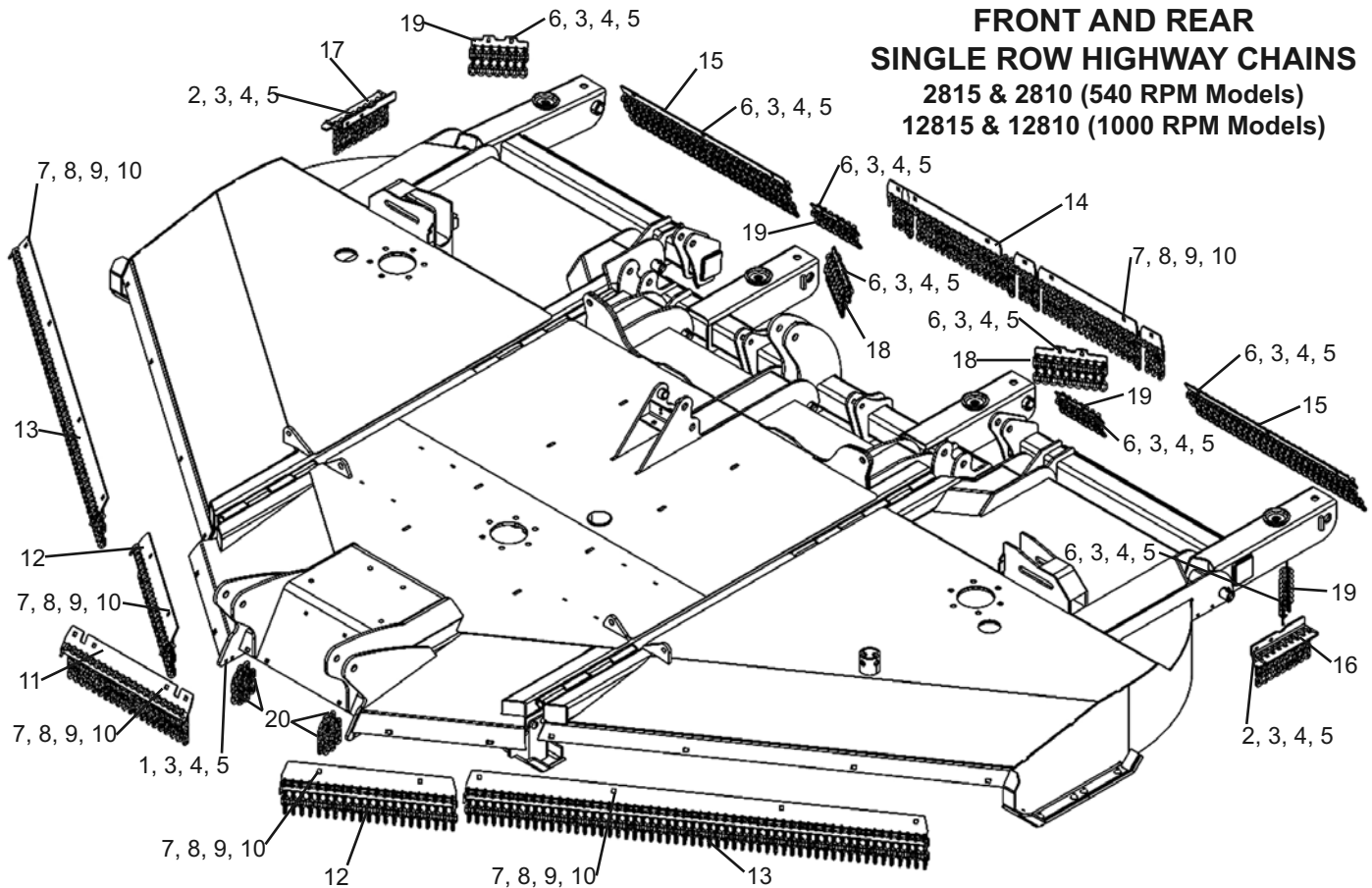
REF. NO.	PART NO.	DESCRIPTION	QTY.	REF. NO.	PART NO.	DESCRIPTION	QTY.
1	50070499	Weight Box Assy	1	15	----	Carriage Bolt, 3/8" x 1-1/4"	4
2	50069374	Skid, Front L.H.	1	16	----	Flatwasher, 3/8"	14
3	50069372	Skid, Front R.H.	1	17	----	Lockwasher, 3/8"	14
4	50070514	Skid	1	18	----	Hex Nut, 3/8"	14
5	50069410	Hinge Rod	1	19	87052	Eyebolt	2
6	91900BH	Lock Collar	1	20	----	Hex Nut, 1"	5
7	----	Roll Pin, 3/8" x 1-1/2"	1	21	----	Capscrew, 3/4" x 2-1/2"	1
8	50070502	Chain Assy, Front (Single)	1	22	----	Locknut, 3/4"	1
	50070500	Chain Assy, Front (Double)	1	23	----	Lockwasher, 3/4"	1
9	50070503	Chain Assy, Rear (Single)	1	24	----	Flatwasher, 3/4"	1
	50070501	Chain Assy, Rear (Double)	1	25	50038099	Bushing	1
10	50070517	Chain Support (Front)	1	26	50031212	Reflector, Amber	2
11	50069724	Rod, Chain	1	27	50031214	Reflector, Red	1
12	50017264	Chain, 5 Link (Single Row)	21	28	50061049	Decal, Bush Hog	1
	50029803	Chain, 9 Link (Double Row)	21	29	----	Capscrew, 1" x 3-3/4"	1
13	50070519	Chain Support (Rear)	1	30	----	Lockwasher, 1"	1
14	50070518	Rod, Chain	1	31	3161212	#3 Hd Plow Bolt, 3/8" x 1-1/4" Gr. 5	10

**SMV SIGN & HOSE HOLDER  
FOR 2815, 2810, 12815 & 12810 MODELS**



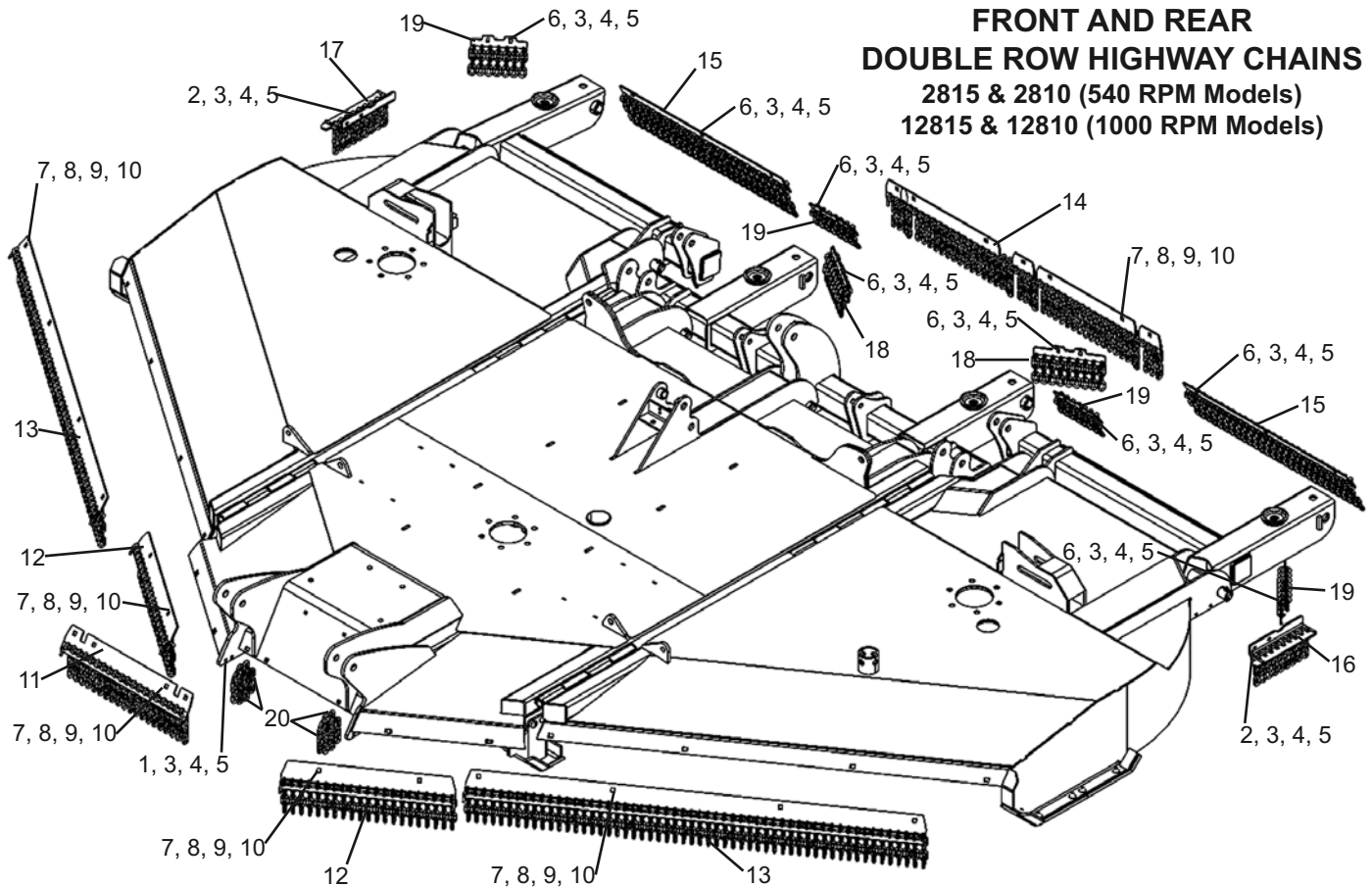
REF. NO.	PART NO.	DESCRIPTION	QTY.
1	50069386	SMV Mount Weldment	1
2	2438621	SMV Spade Bracket	1
3	94359	SMV Sign	1
4	12031	Rod, Hose Holder	1
5	-----	Capscrew, 5/8" x 2" Gr. 5	1
6	-----	Flatwasher, 5/8"	1
7	-----	Lockwasher, 5/8"	1
8	-----	Hex Nut, 5/8"	1
9	-----	Capscrew, 5/16" x 7/8" Gr. 5	2
10	-----	Locknut, 5/16"	2
11	-----	Capscrew, 1/4" x 7/8" Gr. 5	2
12	-----	Lockwasher, 1/4"	2
13	-----	Hex Nut, 1/4"	2

**FRONT AND REAR  
SINGLE ROW HIGHWAY CHAINS**  
2815 & 2810 (540 RPM Models)  
12815 & 12810 (1000 RPM Models)



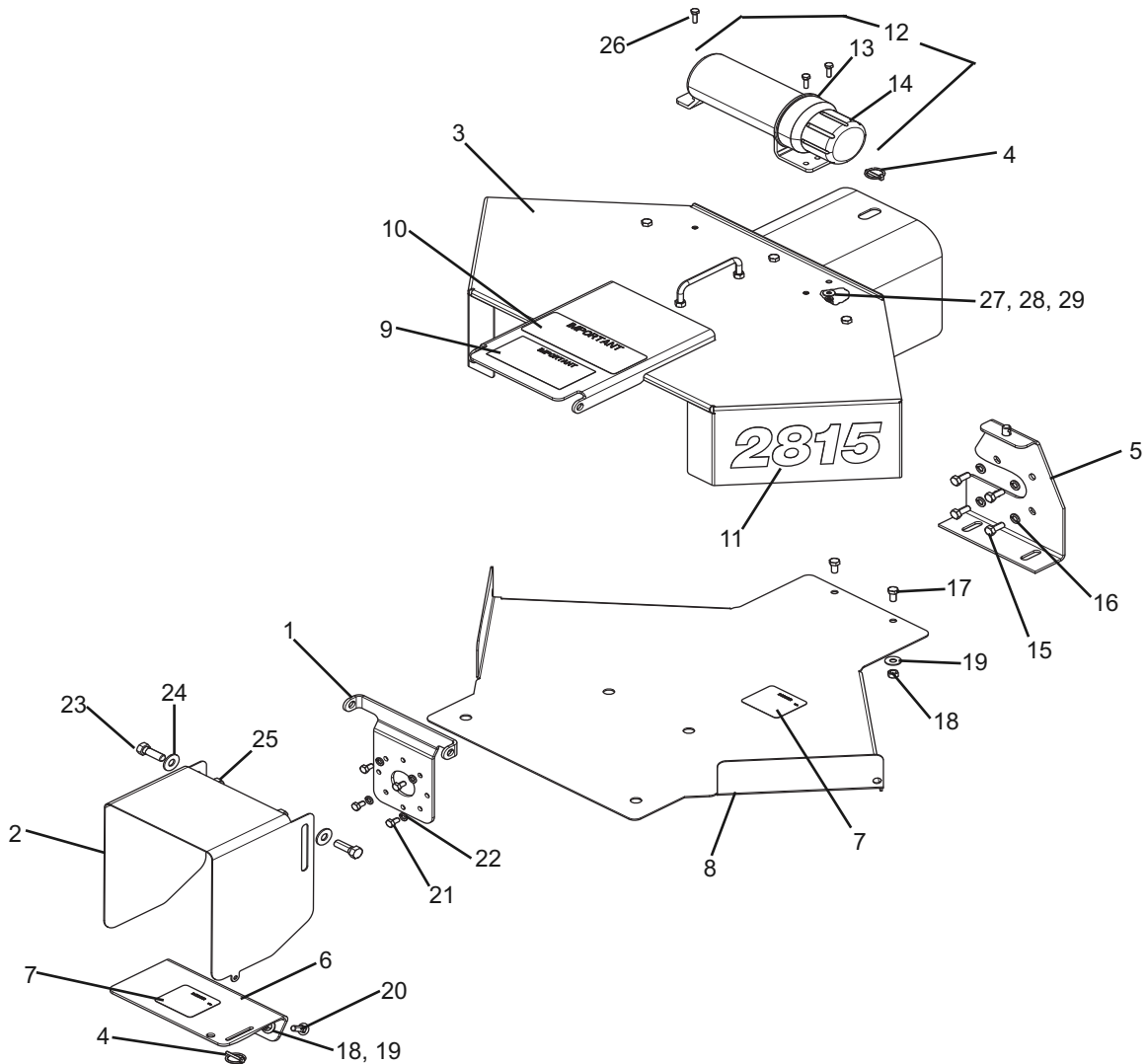
REF. NO.	PART NO.	DESCRIPTION	QTY.	REF. NO.	PART NO.	DESCRIPTION	QTY.
1	44286	Carriage Bolt, 3/8" x 1-1/2" Gr. 5	4	15	50069736	Rear Wing Chain Assy	2
2	-----	Capscrew, 3/8" x 1-1/4" Gr. 5	4		50069728	Rear Wing Support	1
3	-----	Flatwasher, 3/8"	26		50069722	Rod, Chain	1
4	-----	Lockwasher, 3/8"	26		50017211	Chain, Plated	28
5	-----	Hex Nut, 3/8"	26	16	50069739	Chain Assy, L.H. Wing	1
6	5161212	Carriage Bolt, 3/8" x 1-1/4"	18		50069731	Chain Bracket, L.H.	1
7	5161614	Carriage Bolt, 1/2" x 1-1/2"	23		50069724	Rod, Chain	1
8	-----	Flatwasher, 1/2"	23		50018912	Chain, Plated - 4 Link	9
9	-----	Lockwasher, 1/2"	23	17	50069738	Chain Assy, R.H. Wing	1
10	-----	Hex Nut, 1/2"	23		50069730	Chain Bracket, R.H.	1
11	50069734	Front Center Chain Assy	1		50069724	Rod, Chain	1
	50069726	Front Center Support	1		50018912	Chain, Plated - 4 Link	9
	50069720	Rod, Chain	1	18	50071185	Chain Assy Wing Axle, Inside	2
	50017264	Chain, Plated	20		50071184	Chain Bracket	1
12	50069735	Front Outside Chain Assy	2		50078346	Chain Cable	1
	50069727	Front Outside Support	1		50018912	Chain, Plated - 4 Link	9
	50069721	Rod, Chain	1		50050408	Stop Sleeve	2
	50017264	Chain, Plated	21	19	50069737	Chain Assy Wing Axle	4
13	50069733	Front Wing Chain Assy	2		50069729	Chain Bracket	1
	50069725	Front Wing Support	1		50073323	Chain Cable	1
	50069719	Rod, Chain	1		50018912	Chain, Plated - 4 Link	7
	50017264	Chain, Plated	56		50050408	Stop Sleeve	2
14	50069740	Rear Center Chain Assy	1	20	50029803	Chain, Plated - 9 Link	4
	50069741	Rear Center Support (Long)	2				
	50069742	Rear Center Support (Short)	3				
	50069743	Rod, Chain	1				
	50017264	Chain, Plated	41				
	50018912	Chain, Plated - 4 Link	4				

**FRONT AND REAR  
DOUBLE ROW HIGHWAY CHAINS**  
2815 & 2810 (540 RPM Models)  
12815 & 12810 (1000 RPM Models)



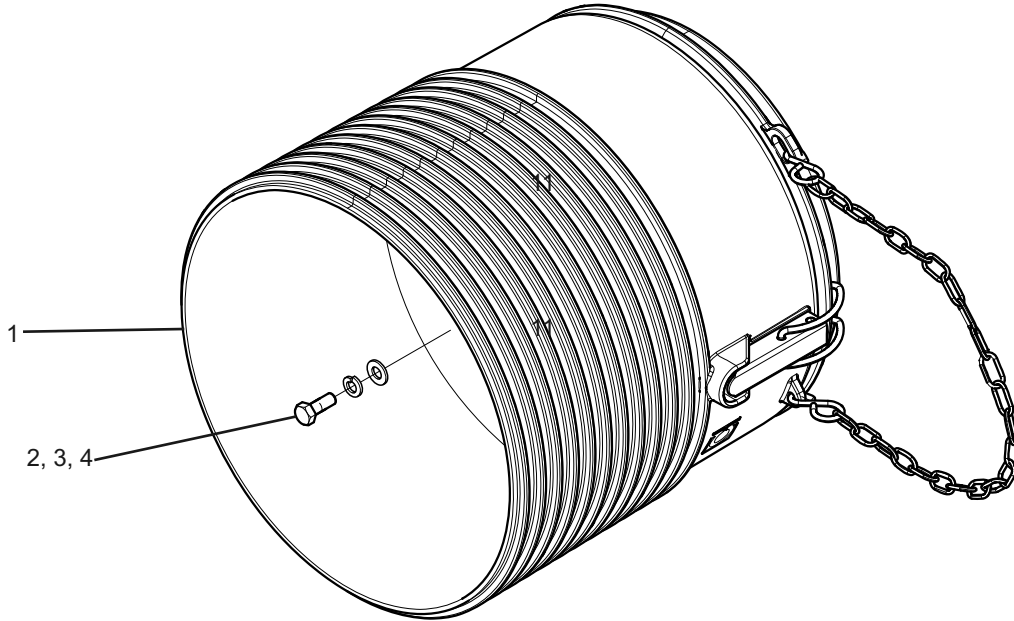
REF. NO.	PART NO.	DESCRIPTION	QTY.	REF. NO.	PART NO.	DESCRIPTION	QTY.
1	44286	Carriage Bolt, 3/8" x 1-1/2" Gr. 5	4	15	50070271	Rear Wing Chain Assy	2
2	-----	Capscrew, 3/8" x 1-1/4" Gr. 5	4		50069728	Rear Wing Support	1
3	-----	Flatwasher, 3/8"	26		50069722	Rod, Chain	1
4	-----	Lockwasher, 3/8"	26		50017213	Chain, Plated - 11 Link	28
5	-----	Hex Nut, 3/8"	26	16	50070273	Chain Assy, L.H. Wing	1
6	5161212	Carriage Bolt, 3/8" x 1-1/4"	18		50069731	Chain Bracket, L.H.	1
7	5161614	Carriage Bolt, 1/2" x 1-1/2"	23		50069724	Rod, Chain	1
8	-----	Flatwasher, 1/2"	23		50017212	Chain, Plated - 7 Link	9
9	-----	Lockwasher, 1/2"	23	17	50070274	Chain Assy, R.H. Wing	1
10	-----	Hex Nut, 1/2"	23		50069730	Chain Bracket, R.H.	1
11	<b>50070276</b>	<b>Front Center Chain Assy</b>	1		50069724	Rod, Chain	1
	50069726	Front Center Support	1		50017212	Chain, Plated - 7 Link	9
	50069720	Rod, Chain	1	18	<b>50071187</b>	<b>Chain Assy Wing Axle, Inside</b>	2
	50029803	Chain, Plated - 9 Link	20		50071184	Chain Bracket	1
12	<b>50070277</b>	<b>Front Outside Chain Assy</b>	2		50078346	Chain Cable	1
	50069727	Front Outside Support	1		50029803	Chain, Plated - 9 Link	9
	50069721	Rod, Chain	1		50050408	Stop Sleeve	2
	50029803	Chain, Plated - 9 Link	21	19	<b>50070272</b>	<b>Chain Assy Wing Axle</b>	4
13	<b>50070275</b>	<b>Front Wing Chain Assy</b>	2		50069729	Chain Bracket	1
	50069725	Front Wing Support	1		50073323	Chain Cable	1
	50069719	Rod, Chain	1		50017212	Chain, Plated - 7 Link	7
	50029803	Chain, Plated - 9 Link	56		50050408	Stop Sleeve	2
14	<b>50070270</b>	<b>Rear Center Chain Assy</b>	1	20	50029803	Chain, Plated - 9 Link	4
	50069741	Rear Center Support (Long)	2				
	50069742	Rear Center Support (Short)	3				
	50069743	Rod, Chain	1				
	50029803	Chain, Plated - 9 Link	41				
	50017212	Chain, Plated - 7 Link	4				

### CENTER SHIELD ASSEMBLY



REF. NO.	PART NO.	DESCRIPTION	QTY.	REF. NO.	PART NO.	DESCRIPTION	QTY.
1	50068964	Pivot Bracket	1	14	-----	Manual Holder Cap	1
2	50069383	Shield, Input	1	15	-----	Capscrew, M10 x 1.50 x 25mm	4
3	50069455	Shield w/Decals	1	16	-----	Lockwasher, M10	4
4	69391	Lynch Pin	2	17	-----	Capscrew, 3/8" x 3/4" Gr. 5	2
5	50070528	Rear Shield Support	1	18	-----	Locknut, 3/8"	4
6	50069424	Input Shield Bottom w/Decal	1	19	-----	Flatwasher, 3/8"	4
7	D546	Decal, Danger	2	20	-----	Carriage Bolt, 3/8" x 1"	2
8	50069425	Center Shield Bottom w/Decal	1	21	-----	Capscrew, M8	4
9	91443	Decal, Important	1	22	-----	Lockwasher, M8	4
10	87340	Decal, Important	1	23	-----	Capscrew, 1/2" x 1-1/2"	2
11	50069419	Decal, Model 2815	2	24	-----	Flatwasher, 1/2"	2
	50069420	Decal, Model 12815	2	25	-----	Locknut, 1/2"	2
	50070506	Decal, Model 2810	2	26	-----	Capscrew, 1/4" x 7/8"	3
	50070507	Decal, Model 12810	2	27	-----	Flatwasher, 1/4"	6
12	50035829	Owner's Manual Tube Assy	1	28	-----	Lockwasher, 1/4"	3
13	50035830	Manual Cap Seal	1	29	-----	Hex Nut, 1/4"	3

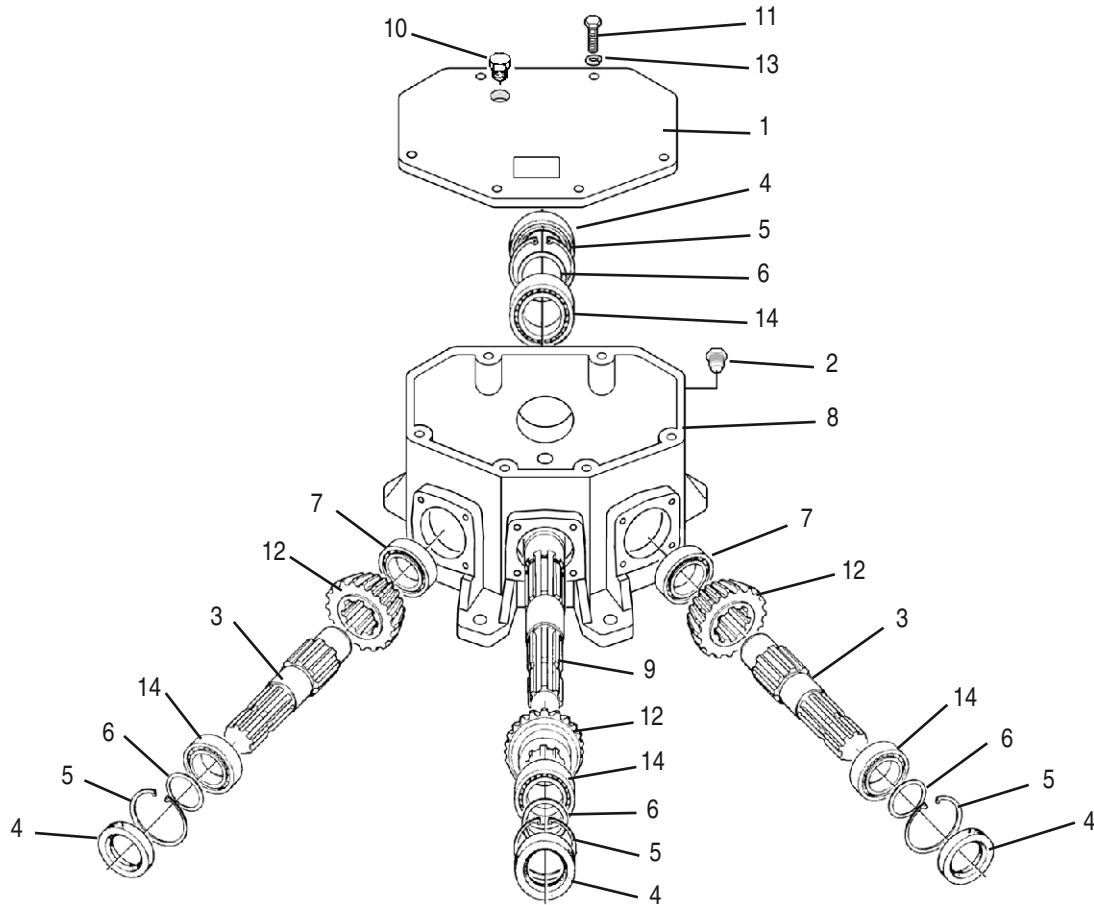
## WING DRIVELINE SHIELDING



REF. NO.	PART NO.	DESCRIPTION	QTY.
1	50062094	Driveling Shield Cone	1
2	-----	Capscrew, M10 x 1.5 x 25	4
3	-----	Lockwasher, M10	4
4	-----	Flatwasher, M10	4

**MODEL 2815 & 2810 (540 RPM)**  
**50045696 TRANSFER GEARBOX ASSEMBLY - 540 RPM**  
**REPLACED BY 71202 GEARBOX ASSY.**  
**MFG. BY BONDIOLI & PAVESI**

**MODEL 12815 & 12810 (1000 RPM)**  
**50045697 TRANSFER GEARBOX ASSEMBLY - 1000 RPM**  
**MFG. BY BOBDIOLI & PAVESI**



REF. NO.	PART NO.	DESCRIPTION	QTY.
1	50066914	Top Cover	1
2	50066915	Drain Plug (Magnetic)	1
3	50066917	Output Shafts 1-3/4" 20 Spline	2
4	50066918	Oil Seal	4
5	50066919	Snap Ring 85 x 4mm	4
6	50066920	Shim Kit	4
7	70797	Bearing 35 x 72 x 18.25mm	2
8	50066922	Housing	1
9	50066923	Input Shaft	1
10	50066924	Breather Plug (Gas) 3/8"	1
11	50066925	Capscrew M10 x 22 x 1.5 C8.8	6
12	50066916	Gear Set for 540 RPM Gearbox 50045696 (Two 19 Tooth Gears and One 23 Tooth Gear)	1
	50066926	Gear Set for 1000 RPM Gearbox 50045697 (Two 23 Tooth Gears and One 19 Tooth Gear)	1
13	44198	Lockwasher, M10	6
14	70796	Bearing	4

**NOTE:** Sight Glass (34) is Not part of gearbox assembly and must be ordered seperately. Must remove plug (20) and replace with sight glass if desired.

**70996 GEARBOX ASSEMBLY**

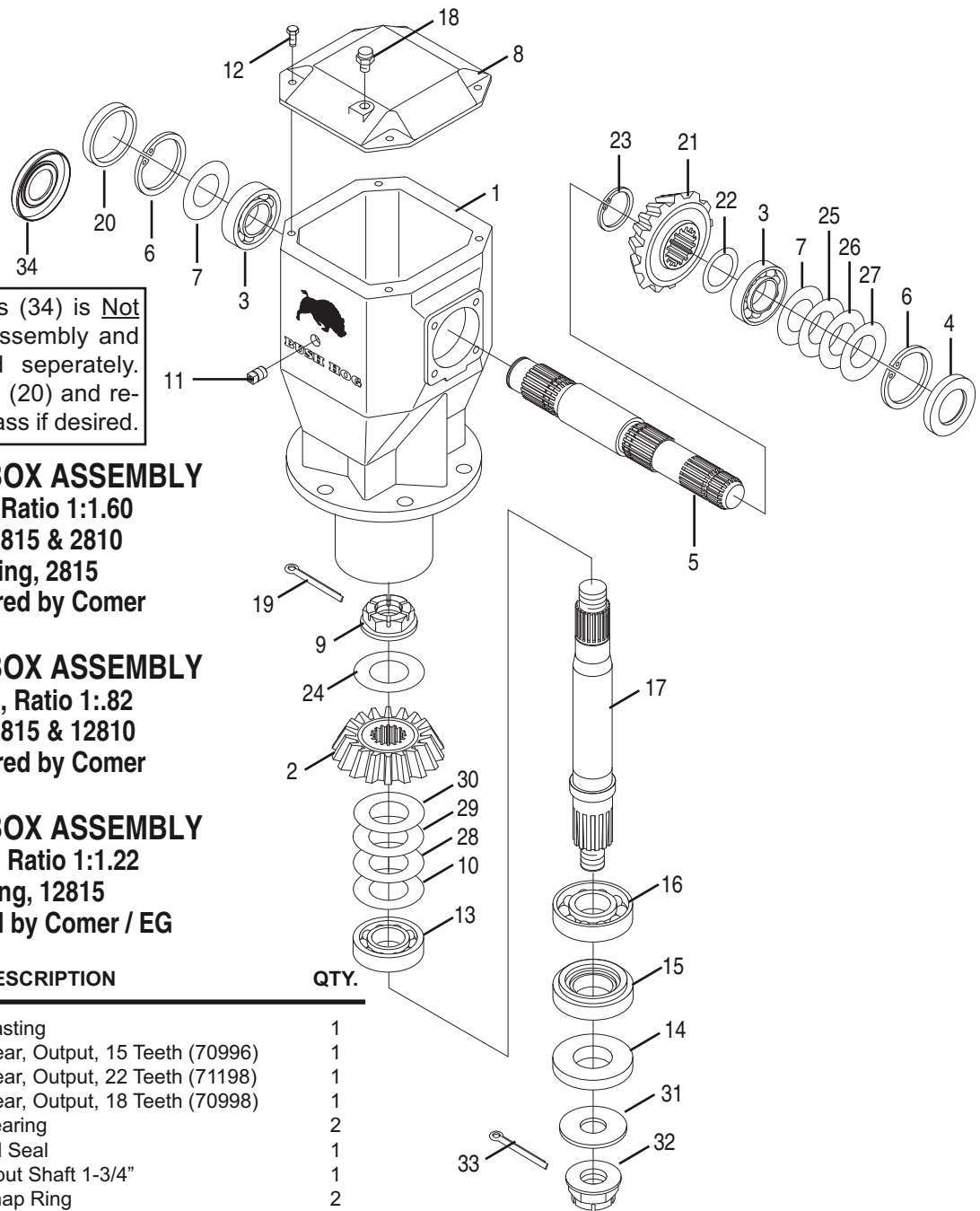
540 RPM, Ratio 1:1.60  
Center, 2815 & 2810  
L.H. Wing, 2815  
Manufactured by Comer

**71198 GEARBOX ASSEMBLY**

1000 RPM, Ratio 1:.82  
Center, 12815 & 12810  
Manufactured by Comer

**70998 GEARBOX ASSEMBLY**

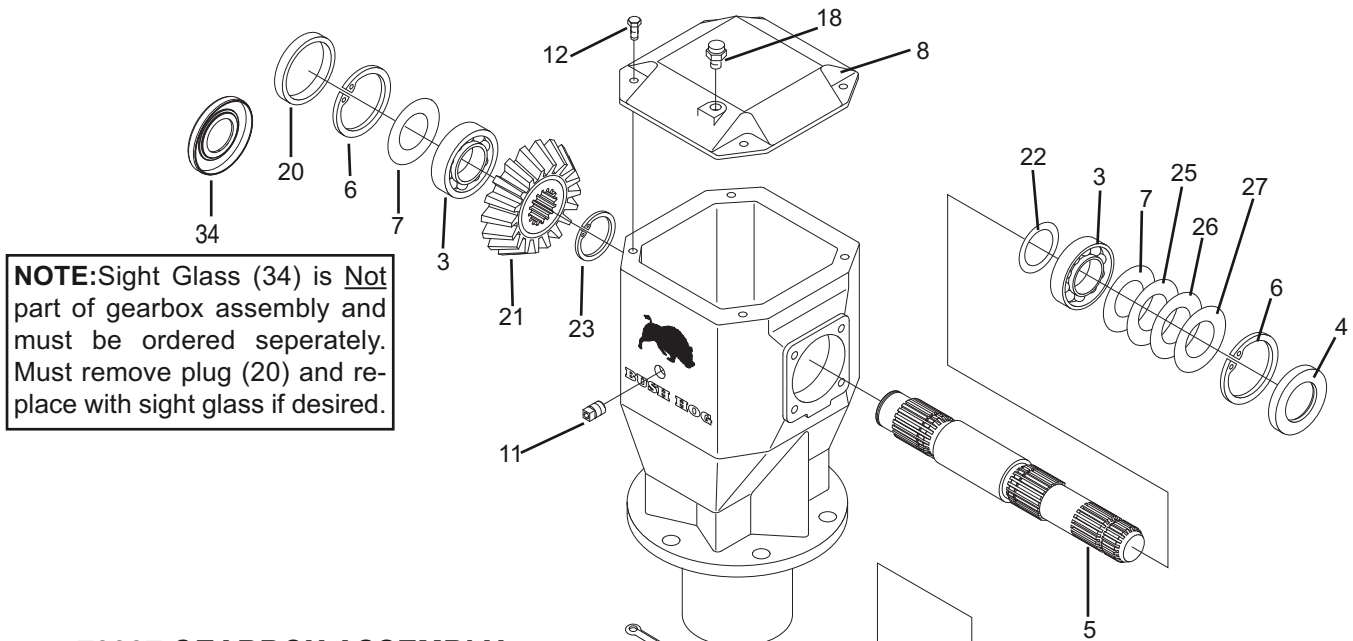
1000 RPM, Ratio 1:1.22  
L.H. Wing, 12815  
Manufactured by Comer / EG



REF. NO.	PART NO.	DESCRIPTION	QTY.
1	76658	Casting	1
2	76665	Gear, Output, 15 Teeth (70996)	1
	76668	Gear, Output, 22 Teeth (71198)	1
	76667	Gear, Output, 18 Teeth (70998)	1
3	70796	Bearing	2
4	50068116	Oil Seal	1
5	76659	Input Shaft 1-3/4"	1
6	70189	Snap Ring	2
7	70752	Shim .3mm	2
8	76660	Top Plate	1
9	70586	Castle Nut	1
10	70344	Shim .3mm	1
11	70292	Oil Filler Plug 1/2" Gas	1
12	44595BH	Capscrew, M10 x 14 Gr. 8.8	4
13	70800	Bearing	1
14	76661	Protective Washer	1
15	50062245	Oil Seal	1
16	70410	Bearing	1
17	76663	Shaft, Output	1
18	80538	Vent Plug	1
19	70585	Cotter Pin	1
20	70725	Cap	1
21	76666	Gear, Input, 24 Teeth (70996)	1
	76667	Gear, Input, 18 Teeth (71198)	1
	76668	Gear, Input, 22 Teeth (70998)	1

REF. NO.	PART NO.	DESCRIPTION	QTY.
22	70740	Spacer	1
23	70722	Snap Ring	1
24	76634	Shim, 1mm	1
25	70753	Shim, .4mm	1
26	70754	Shim, .5mm	1
27	70755	Shim, 1mm	1
28	70345BH	Shim, .5mm	1
29	70346BH	Shim, 1mm	1
30	70347	Shim, .4mm	1
31	76664	Blank Washer	1
32	70418	Castle Nut, M36	1
33	70419	Cotter Pin	1
34	50074092	Sight Glass	1





**70997 GEARBOX ASSEMBLY**

540 RPM, Ratio 1:1.60

R.H. Wing, 2815 & 2810

Manufactured by Comer / EG

**70999 GEARBOX ASSEMBLY**

1000 RPM, Ratio 1:1.22

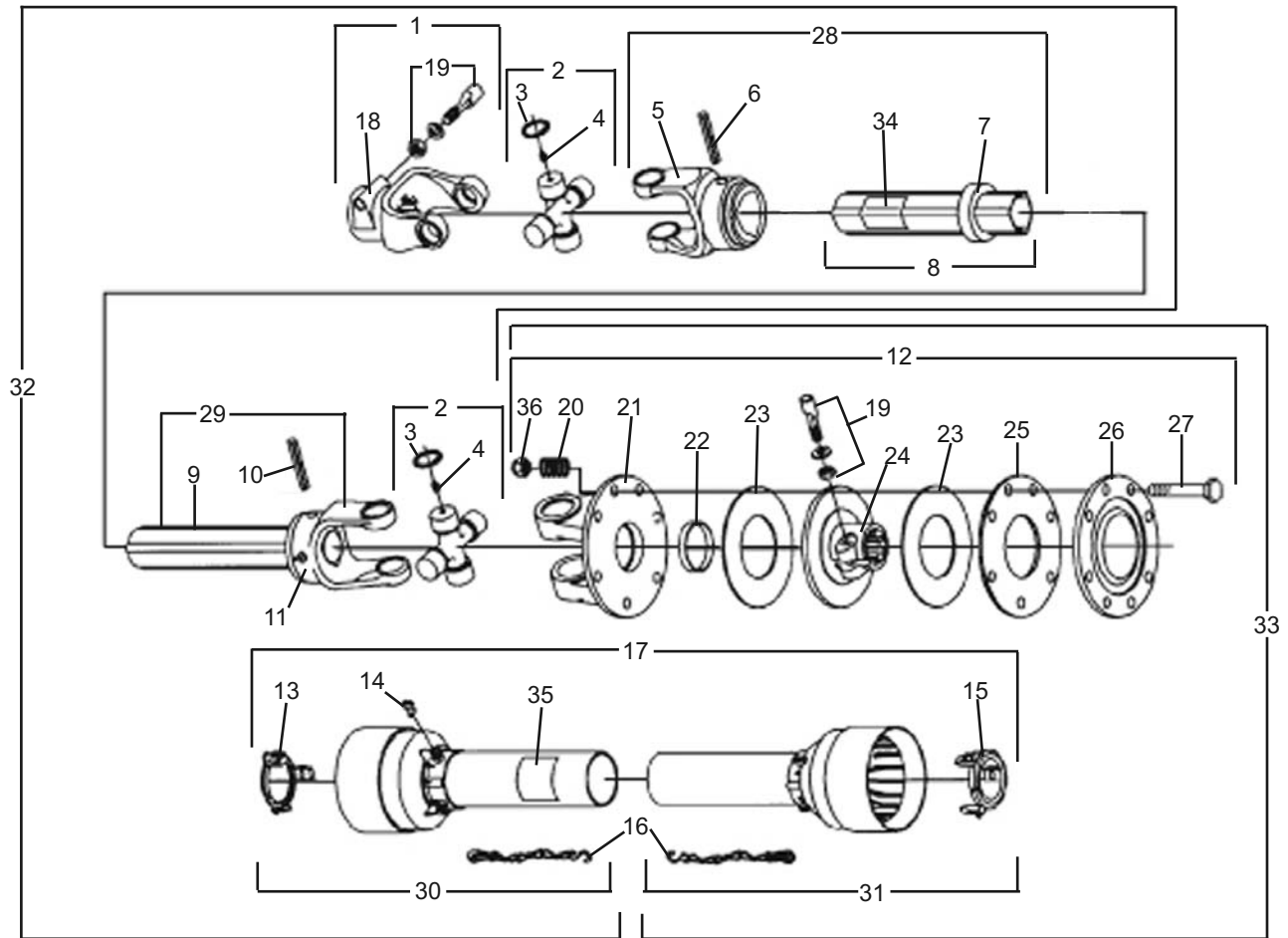
R.H. Wing, 12815 & 12810

Manufactured by Comer / EG

REF. NO.	PART NO.	DESCRIPTION	QTY.
1	76658	Casting	1
2	76665	Gear, Output, 15 Teeth (70997)	1
	76667	Gear, Output, 18 Teeth (70999)	1
3	70796	Bearing	2
4	50068116	Oil Seal	1
5	76659	Input Shaft 1-3/4"	1
6	70189	Snap Ring	2
7	70752	Shim .3mm	2
8	76660	Top Plate	1
9	70586	Castle Nut	1
10	70344	Shim .3mm	1
11	70292	Oil Filler Plug 1/2" Gas	1
12	44595BH	Capscrew, M10 x 14 Gr. 8.8	4
13	70800	Bearing	1
14	76661	Protective Washer	1
15	50062245	Oil Seal	1
16	70410	Bearing	1
17	76663	Shaft, Output	1
18	80538	Vent Plug	1
19	70585	Cotter Pin	1
20	70725	Cap	1
21	76666	Gear, Input, 24 Teeth (70997)	1
	76668	Gear, Input, 22 Teeth (70999)	1

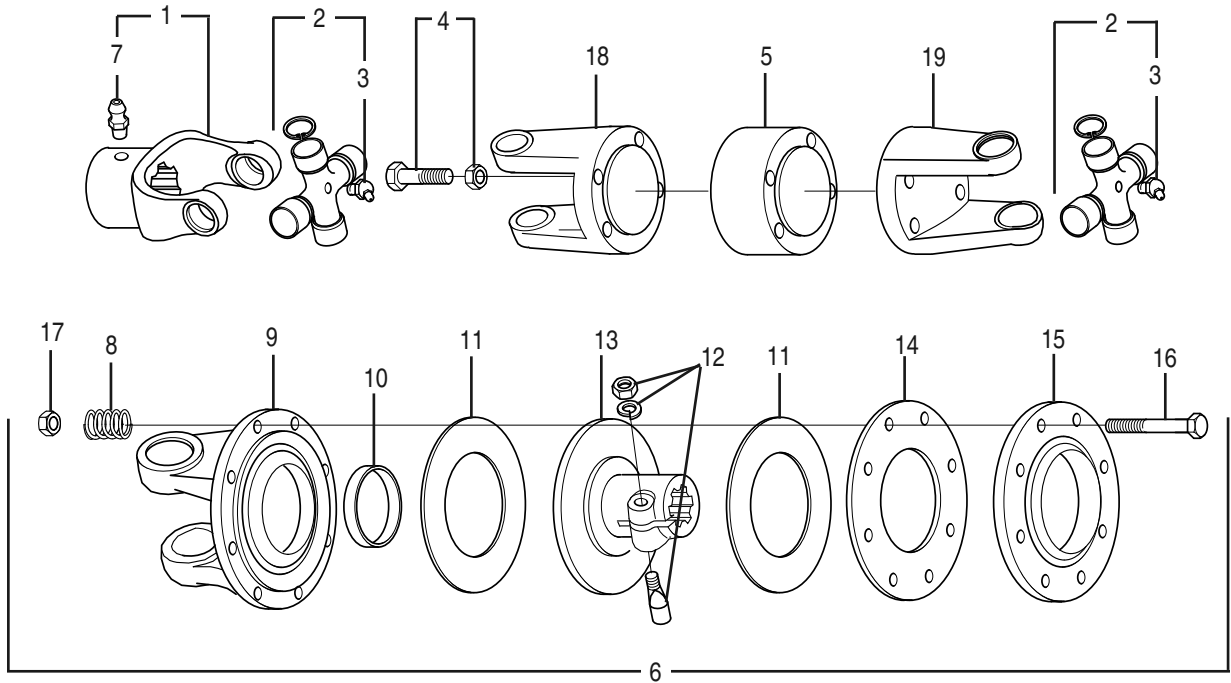
REF. NO.	PART NO.	DESCRIPTION	QTY.
22	70740	Spacer	1
23	70722	Snap Ring	1
24	76634	Shim, 1mm	1
25	70753	Shim, .4mm	1
26	70754	Shim, .5mm	1
27	70755	Shim, 1mm	1
28	70345BH	Shim, .5mm	1
29	70346BH	Shim, 1mm	1
30	70347	Shim, .4mm	1
31	76664	Blank Washer	1
32	70418	Castle Nut, M36	1
33	70419	Cotter Pin	1
34	50074092	Sight Glass	1





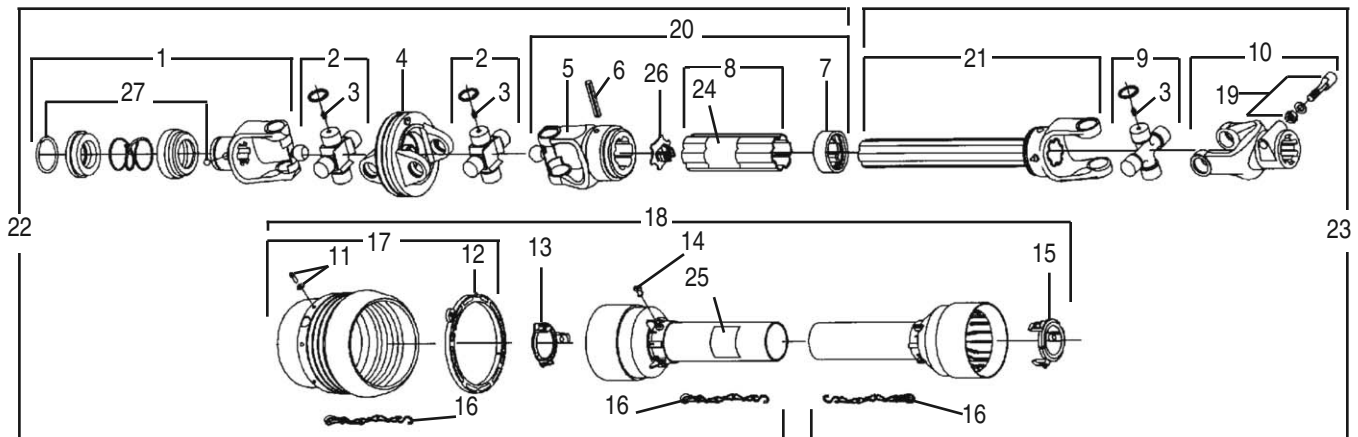
**50069763 WING DRIVESHAFT**  
**For 2815, 2810, 12815 & 12810 Models**  
**1-3/4" - 20 Spline**  
**Manufactured by Comer / EG**  
**ASAE SIZE 4**

REF. NO.	PART NO.	DESCRIPTION	QTY.	REF. NO.	PART NO.	DESCRIPTION	QTY.
1	76422	Complete Yoke	1	19	76247	Tapered Pin Set, 1-3/4"	2
2	50071237	Cross Journal Set	2	20	76080	Spring	8
3	-----	Circlip	8	21	76164	Flanged Yoke	1
4	76335	Grease Nipple	2	22	76082	Bushing	1
5	66865	Outer Yoke	1	23	76083	Lining Ring	2
6	66866	Roll Pin For Outer Tube	1	24	76309	Clutch Support	1
7	50064188	Bing	1	25	76085	Inner Plate	1
8	50071238	Complete Outer Tube	1	26	76086	Pressure Plate	1
9	50071239	Inner Tube	1	27	44155BH	Capscrew, M10 x 1.5 x 85	8
10	66869	Roll Pin For Inner Tube	1	28	-----	Female Tube w/Yoke & Lube System	1
11	66870	Inner Yoke	1	29	-----	Male Tube w/Yoke & Lube System	1
12	76308	Complete Disc Clutch	1	30	-----	Half Female Guarding w/Label	1
13	50056417	Guard Ret. Collar (Outer Tube)	1	31	-----	Half Male Guarding	1
14	50056404	Bolt	6	32	-----	Half Female Shaft w/Guarding	1
15	50056418	Guard Ret. Collar (Inner Tube)	1	33	-----	Half Male Shaft w/Guarding	1
16	64814	Safety Chains	2	34	78786	Decal, Danger - Outer Tube	1
17	50071240	Complete Guard w/Inst. Manual	1	35	78608	Decal, Danger - Outer Guard Tube	1
18	50061026	Yoke	1	36	44154BH	Locknut, M10 x 1.5	8



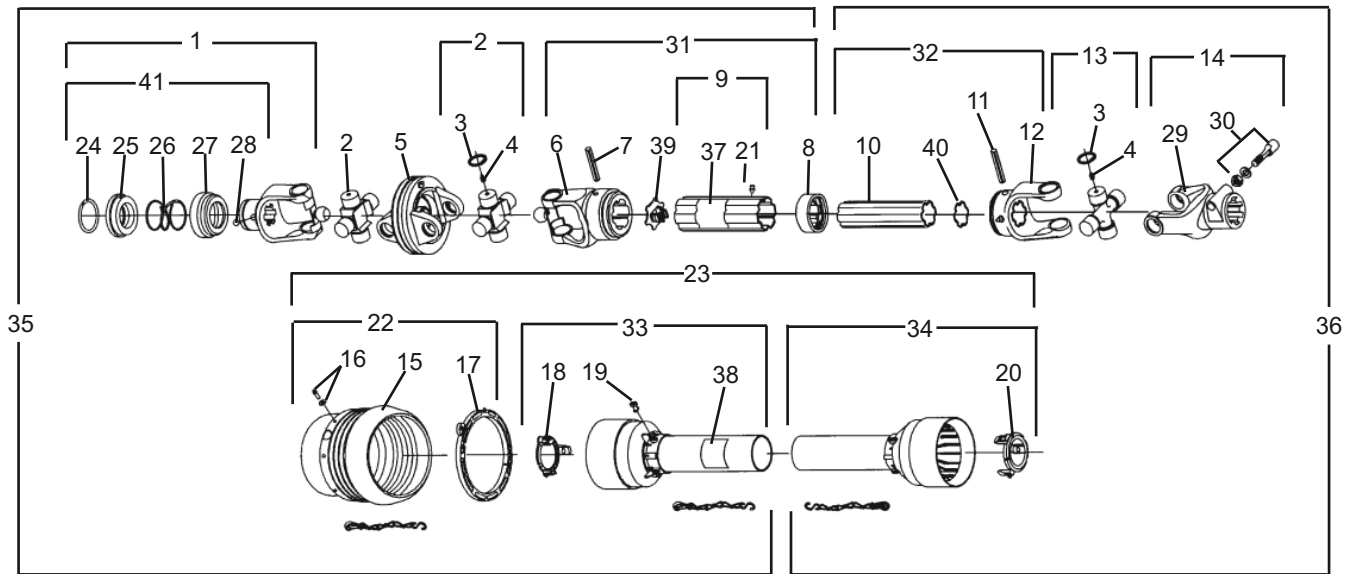
**76653 CENTER DRIVESHAFT**  
**1-3/4" — 20 Spline**  
**Manufactured by Comer / EG**  
**(Replaced by 50071182)**

REF. NO.	PART NO.	DESCRIPTION	QTY.
1	76782	Yoke w/Grease Nipple	1
2	76696	Cross Journal Set	2
3	76783	Grease Nipple M8 x 1 x 90°	2
4	76965	Capscrew, M12 x 1.25 x 90 Gr. 12.9 w/Locknut M12	4
5	76306	Retaining Washer	1
6	76308	Complete Disc Clutch	1
7	63946	Grease Nipple	1
8	76080	Spring	8
9	76164	Flanged Yoke	1
10	76082	Bushing	1
11	76083	Lining Ring	2
12	76247	Tapered Pin Set 1-3/4"	1
13	76309	Clutch Support	1
14	76085	Inner Plate	1
15	76086	Pressure Plate	1
16	44155BH	Capscrew, M10 x 1.5 x 85	8
17	44154BH	Locknut, M10 x 1.5	8
18	76914	Flanged Yoke, Male	1
19	76915	Flanged Yoke, Female	1



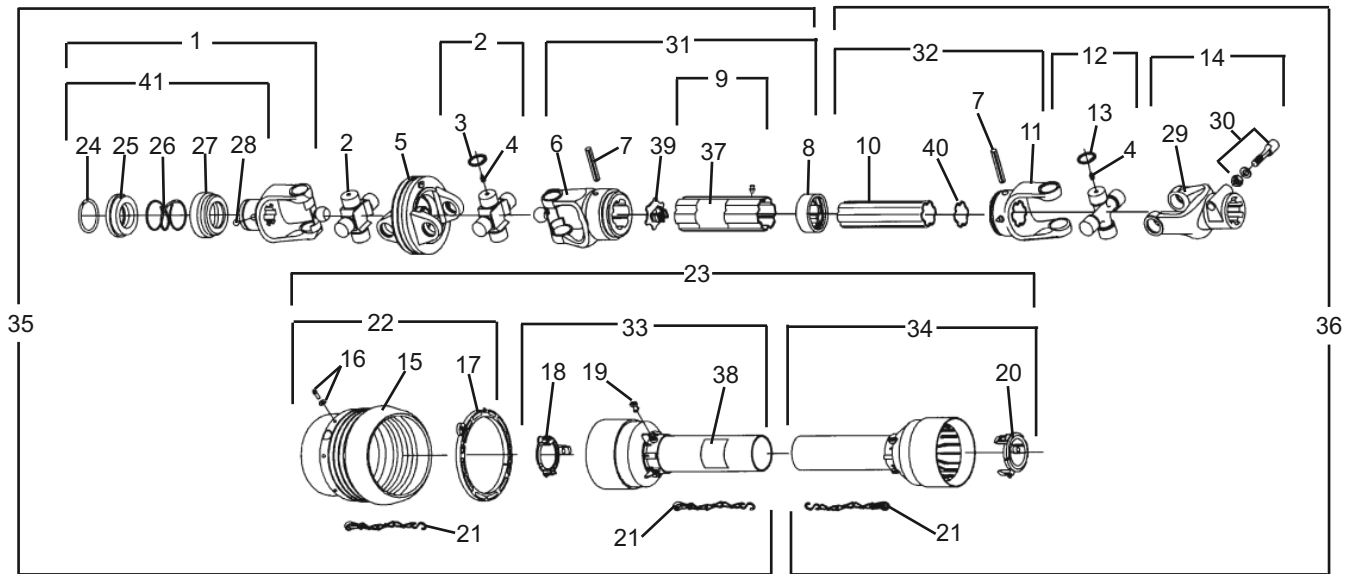
**50054670SP C.V. Driveshaft**  
**(Replaced By 50074699 Driveshaft Assembly)**  
**Input : 1-3/4" – 20 Spline, ASAE Size 5**  
**Manufactured by Comer / EG**  
**12815 & 12810 (1000 RPM Models)**

REF. NO.	PART NO.	DESCRIPTION	QTY.
1	50056927	Complete Collar Yoke (Tractor)	1
2	50056400	Cross Journal Set	2
3	76335	Grease Nipple	3
4	76357	Wide Angle Double Yoke	1
5	76896	Outer Yoke	1
6	67108	Roll Pin For Outer Tube	1
7	76897	Wiper	1
8	76903	Complete Outer Tube	1
9	50056401	Cross Journal Set	1
10	76239BH	Complete Yoke	1
11	76362	Screw Kit	6
12	50056402	Bearing Ring	1
13	50056403	Guard Retaining Collar For Outer Tube	1
14	50056404	Bolt	6
15	50056405	Guard Retaining Collar For Inner Tube	1
16	64814	Safety Chain	3
17	50056406	Guard Cone Set	1
18	50056407	Complete Guard w/Instruction Manual	1
19	76247	Tapered Pin Set 1-3/4"	1
20	50056408	Female Tube w/Yoke & Lube System	1
21	50056409	Male Tube w/Yoke & Lube System	1
22	-----	Half Female Shaft w/Guarding	1
23	50056413	Half Male Shaft w/Guarding	1
24	78786	Decal, Danger - Outer Tube	1
25	78608	Decal, Danger - Outer Guard Tube	1
26	76892	Plastic Cap	1
27	50017502	Kit Collar For Yoke 1-3/4"	1



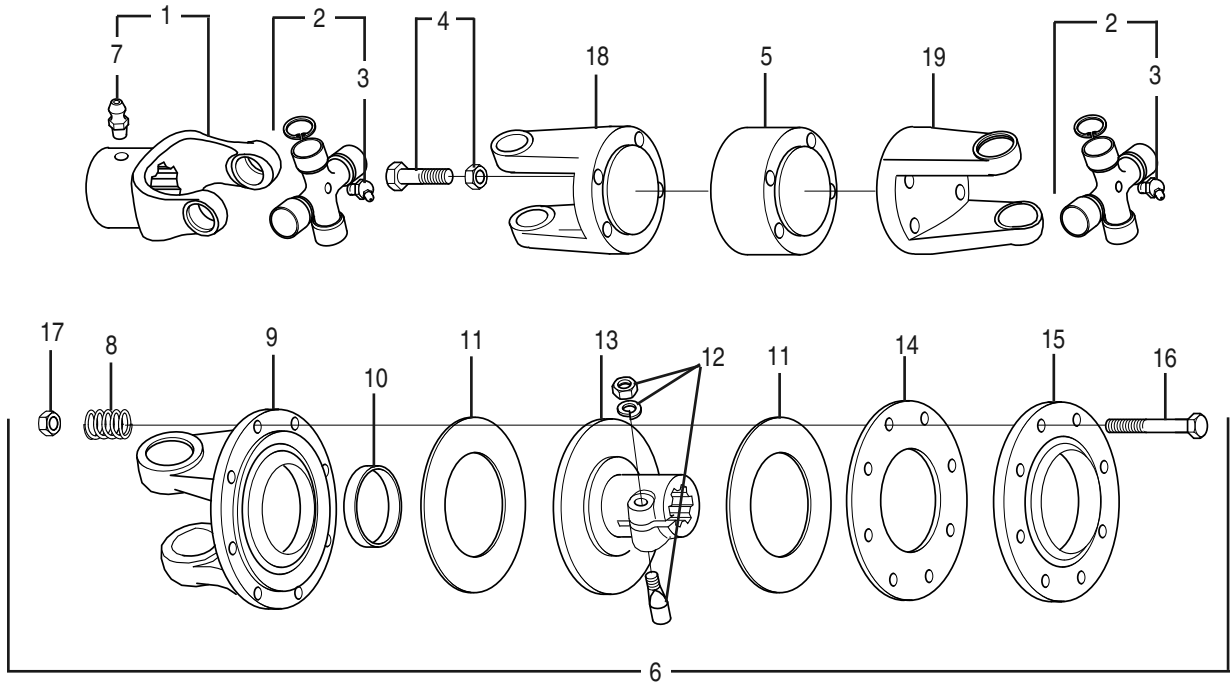
**50069764SP C.V. Driveshaft**  
**Input : 1-3/8" – 6 Spline, ASAE Size 5**  
**Manufactured by Comer / EG**  
**2815 & 2810 (540 RPM Models)**

REF. NO.	PART NO.	DESCRIPTION	QTY.	REF. NO.	PART NO.	DESCRIPTION	QTY.
1	50017504	Complete Yoke	1	22	50056406	Guard Cone Set	1
2	50056400	Cross Journal Set	2	23	50071245	Complete Guard w/Inst. Manual	1
3	-----	Circlip	12	24	-----	Outer Circlip	1
4	76335	Grease Nipple	3	25	-----	Sliding Sleeve Collar	1
5	76357	Wide Angle Double Yoke	1	26	-----	Spring	1
6	76896	Outer Yoke	1	27	-----	Fixed Sleeve	1
7	67108	Roll Pin - Outer & Inner Tube	1	28	-----	Ball, 1/2"	3
8	76897	Wiper	1	29	50061010	Yoke	1
9	50071242	Complete Outer Tube	1	30	76247	Tapered Pin Set 1-3/4"	1
10	50071243	Inner Tube	1	31	-----	Female Tube w/Yoke	1
11	67085	Roll Pin For Inner Tube	1	32	-----	Male Tube w/Yoke	1
12	50071244	Inner Yoke	1	33	-----	Half Female Guarding w/Label	1
13	50056401	Cross Journal Set	1	34	-----	Half Male Guarding	1
14	76239BH	Complete Yoke	1	35	-----	Half Female Shaft w/Guarding	1
15	-----	Guard Cone	1	36	50071246	Half Male Shaft w/Guarding	1
16	76362	Screw Kit	6	37	78786	Decal, Danger - Outer Tube	1
17	50056402	Bearing Ring	1	38	78608	Decal, Danger - Outer Guard Tube	1
18	50056403	Guard Ret. Collar - Outer Tube	1	39	76899	Plastic Cap - Outer Tube	1
19	50056404	Bolt	6	40	50071247	Plastic Cap - Inner Tube	1
20	50056405	Guard Ret. Collar - Inner Tube	1	41	50017480	Kit Collar For Yoke 1-3/8"	1
21	50075570	Grease Fitting	1				



**50069765SP C.V. Driveshaft**  
**Input : 1-3/8" – 21 Spline, ASAE Size 5**  
**Manufactured by Comer / EG**  
**12815 & 12810 (1000 RPM Models)**

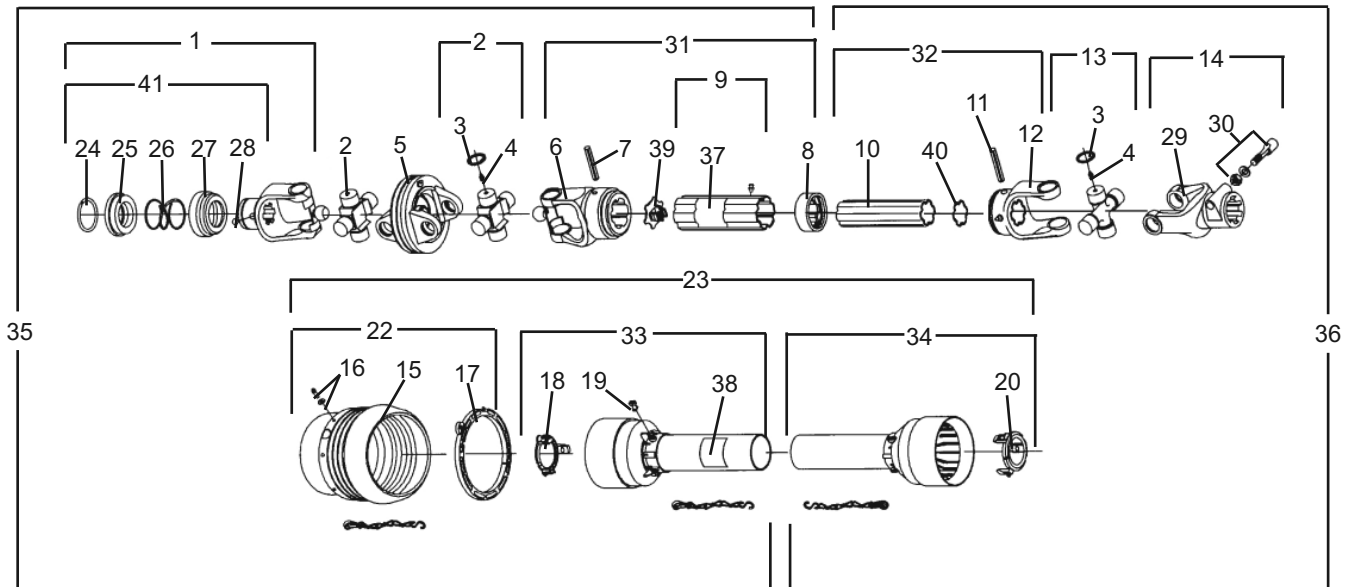
REF. NO.	PART NO.	DESCRIPTION	QTY.	REF. NO.	PART NO.	DESCRIPTION	QTY.
1	50017482	Complete Yoke	1	22	50056419	Guard Cone Set	1
2	50056414	Cross Journal Set	2	23	50071251	Complete Guard w/Inst. Manual	1
3	-----	Circlip	8	24	-----	Outer Circlip	1
4	76335	Grease Nipple	3	25	-----	Sliding Sleeve Collar	1
5	76421	Wide Angle Double Yoke	1	26	-----	Spring	1
6	76893	Outer Yoke	1	27	-----	Fixed Sleeve	1
7	66866	Roll Pin - Outer & Inner Tube	2	28	-----	Ball, 1/2"	3
8	76894	Wiper	1	29	-----	Yoke	1
9	50071248	Complete Outer Tube	1	30	76247	Tapered Pin Set 1-3/4"	1
10	50071249	Inner Tube	1	31	-----	Female Tube w/Yoke	1
11	50071250	Inner Yoke	1	32	-----	Male Tube w/Yoke	1
12	50056411	Cross Journal Set	1	33	-----	Half Female Guarding w/Label	1
13	-----	Circlip	4	34	-----	Half Male Guarding	1
14	76422	Complete Yoke	1	35	-----	Half Female Shaft w/Guarding	1
15	-----	Guard Cone	1	36	50071252	Half Male Shaft w/Guarding	1
16	76362	Screw Kit	6	37	78786	Decal, Danger - Outer Tube	1
17	50056416	Bearing Ring	1	38	78608	Decal, Danger - Outer Guard Tube	1
18	50056417	Guard Ret. Collar - Outer Tube	1	39	76892	Plastic Cap - Outer Tube	1
19	50056404	Bolt	6	40	50071253	Plastic Cap - Inner Tube	1
20	50056418	Guard Ret. Collar - Inner Tube	1	41	50017480	Kit Collar For Yoke 1-3/8"	1
21	-----	Safety Chains	3				



**50071182 CENTER DRIVESHAFT**  
**1-3/4" — 20 Spline**  
**Manufactured by Comer / EG**

REF. NO.	PART NO.	DESCRIPTION	QTY.
1	76782	Yoke w/Grease Nipple	1
2	50060543	Cross Journal Set	2
3	76783	Grease Nipple M8 x 1 x 90°	2
4	76965	Capscrew, M12 x 1.25 x 90 Gr. 12.9 w/Locknut M12	4
5	76306	Retaining Washer	1
6	76308	Complete Disc Clutch	1
7	63946	Grease Nipple	1
8	76080	Spring	8
9	76164	Flanged Yoke	1
10	76082	Bushing	1
11	76083	Lining Ring	2
12	76247	Tapered Pin Set 1-3/4"	1
13	76309	Clutch Support	1
14	76085	Inner Plate	1
15	76086	Pressure Plate	1
16	44155BH	Capscrew, M10 x 1.5 x 85	8
17	44154BH	Locknut, M10 x 1.5	8
18	76914	Flanged Yoke, Male	1
19	76915	Flanged Yoke, Female	1



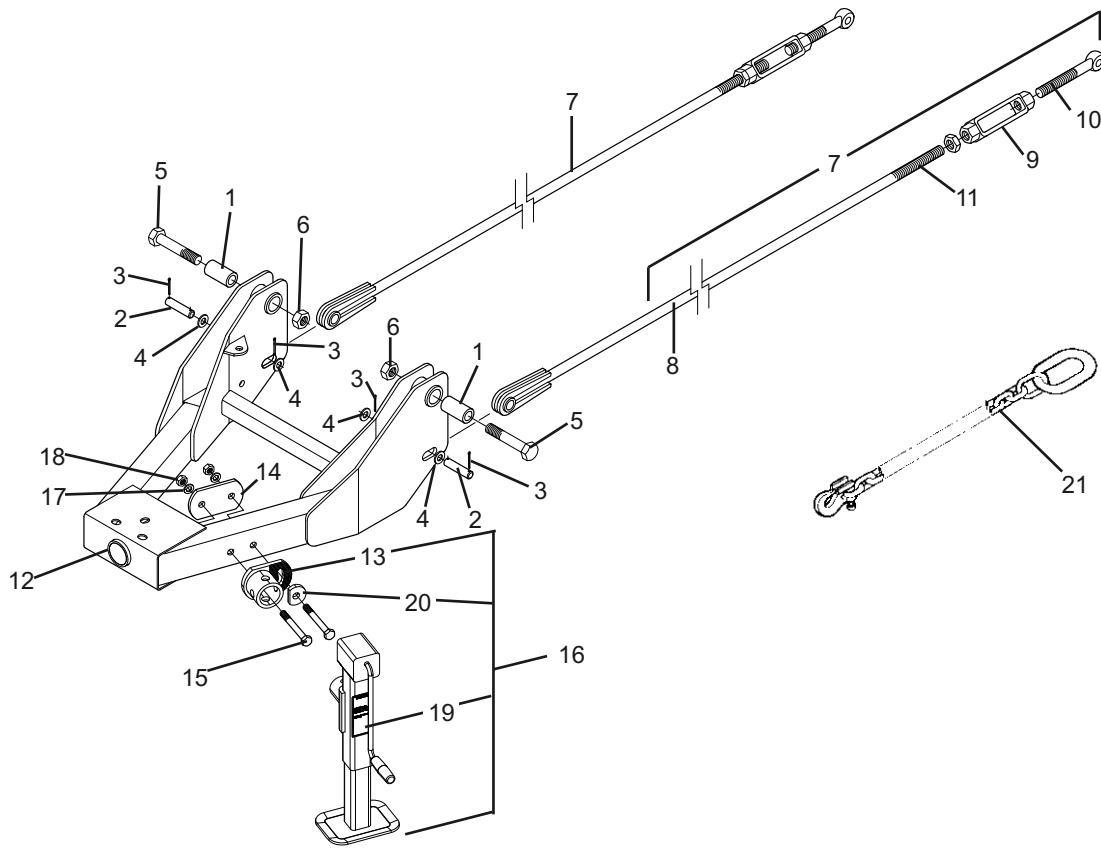


**50074699SP C.V. Driveshaft**  
**(REPLACES 50054670SP DRIVESHAFT)**  
 Input : 1-3/4" – 20 Spline, ASAE Size 5  
 Manufactured by Comer / EG  
 12815R3 & 12810R3 (1000 RPM Models)

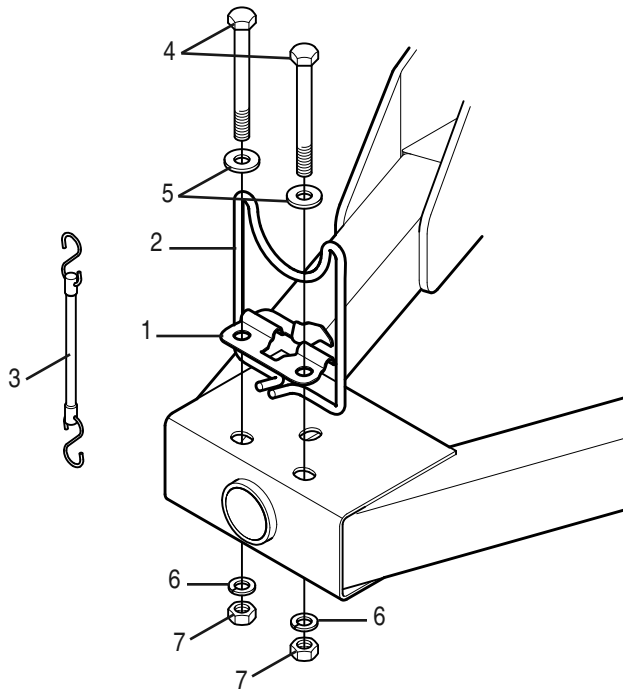
REF. NO.	PART NO.	DESCRIPTION	QTY.	REF. NO.	PART NO.	DESCRIPTION	QTY.
	<b>50074699SP</b>	<b>Assembly, Driveline</b>	<b>1</b>	22	50075192	Guard Cone Set	1
1	50056927	Complete Yoke	1	23	50075193	Complete Guard w/Inst. Manual	1
2	50056400	Cross Journal Set	2	24	-----	Outer Circlip	1
3	-----	Circlip	12	25	-----	Sliding Sleeve Collar	1
4	76335	Grease Nipple	3	26	-----	Spring	1
5	76357	Wide Angle Double Yoke	1	27	-----	Fixed Sleeve	1
6	76896	Outer Yoke	1	28	-----	Ball, 1/2"	3
7	67108	Roll Pin - Outer & Inner Tube	1	29	-----	Yoke	1
8	76897	Wiper	1	30	76247	Tapered Pin Set 1-3/4"	1
9	50075190	Complete Outer Tube	1	31	-----	Female Tube w/Yoke	1
10	50075191	Inner Tube	1	32	-----	Male Tube w/Yoke	1
11	67085	Roll Pin For Inner Tube	1	33	-----	Half Female Guarding w/Label	1
12	50071244	Inner Yoke	1	34	-----	Half Male Guarding	1
13	50056411	Cross Journal Set	1	35	-----	Half Female Shaft w/Guarding	1
14	76239BH	Complete Yoke	1	36	-----	Half Male Shaft w/Guarding	1
15	-----	Guard Cone	1	37	78786	Decal, Danger - Outer Tube	1
16	76362	Screw Kit	6	38	78608	Decal, Danger - Outer Guard Tube	1
17	50056402	Bearing Ring	1	39	76899	Plastic Cap - Outer Tube	1
18	50056403	Guard Ret. Collar - Outer Tube	1	40	50071247	Plastic Cap - Inner Tube	1
19	50056404	Bolt	6	41	50017502	Kit Collar For Yoke 1-3/4"	1
20	50056405	Guard Ret. Collar - Inner Tube	1				



**TONGUE, LEVELING ROD & RELATED PARTS  
FOR 2815, 2810, 12815 & 12810 MODELS**

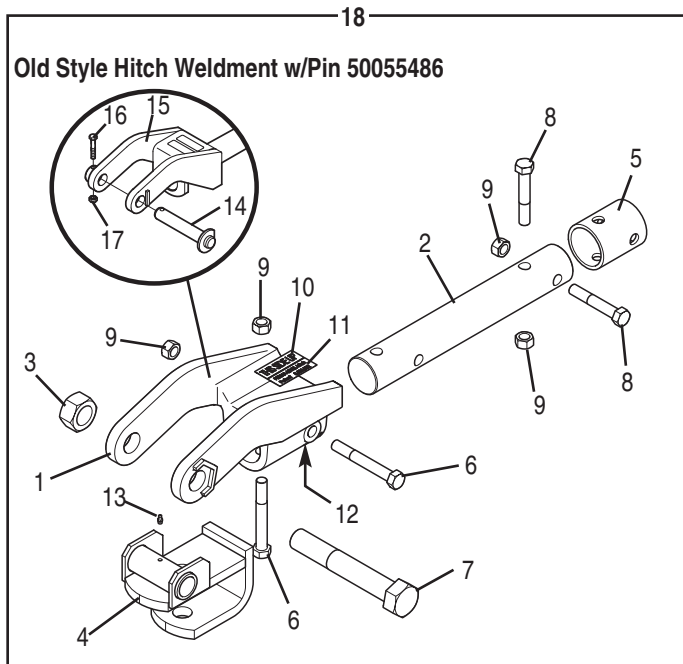


REF. NO.	PART NO.	DESCRIPTION	QTY.
1	50054456	Sleeve Bushing	2
2	50054389	Clevis Pin	2
3	20167	Cotter Pin, 3/16" x 2"	4
4	-----	Flatwasher, 1" SAE	4
5	-----	Capscrew, 1" x 5-1/2"	2
6	-----	Locknut, 1"	2
7	50054463	Leveling Rod Assy	2
8	50054461	Rod Weldment	1
9	53053	Turnbuckle	1
10	60636	Turnbuckle End	1
11	15612	Hex Jam Nut	1
12	50069248	Tongue Weldment	1
13	00779360	Bracket, Jack Weldment	1
14	50069926	Mount Pad	1
15	-----	Capscrew, 3/4" x 5"	2
16	00779350	Jackstand Assy (Includes Items 13, 19 & 20)	1
17	-----	Lockwasher, 3/4"	2
18	-----	Hex Nut, 3/4"	2
19	D482	Decal, Warning	1
20	00779361	Washer, Jack	1
21	91074	Safety Tow Chain	1



**DRIVELINE HOLDER ASSEMBLY**  
For 2815, 2810, 12815 & 12810 Models

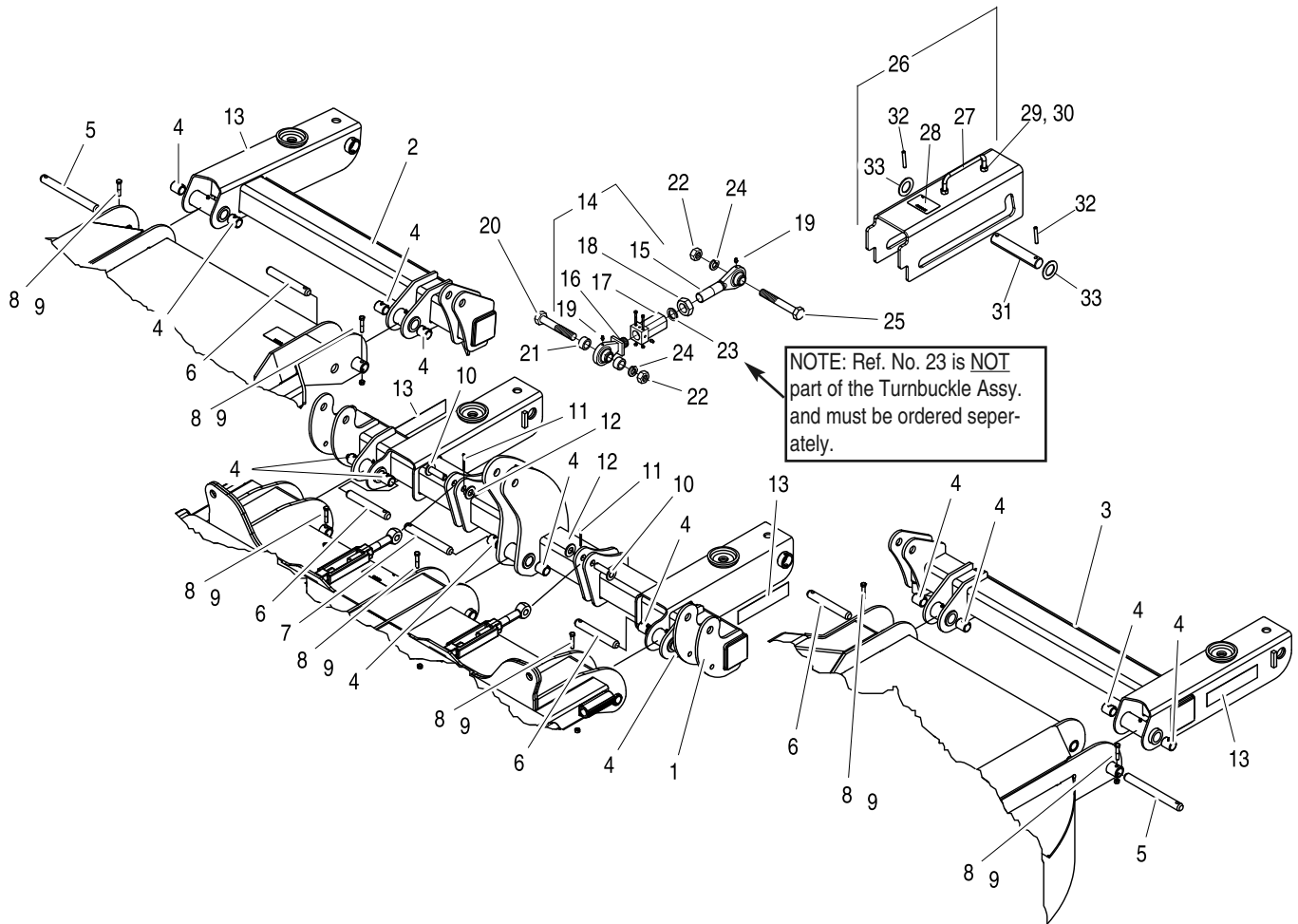
REF. NO.	PART NO.	DESCRIPTION	QTY.
1	50054710	Mounting Bracket Weld.	1
2	50054711	Formed Driveline Holder	1
3	50060002	Tie-Down Strap	1
4	-----	Capscrew, 5/8" x 6"	2
5	20748	Flatwasher, 5/8" SAE	2
6	-----	Lockwasher, 5/8"	2
7	-----	Hex Nut, 5/8"	2
8	-----	Instruction Sheet (50080870)	1



**50054505SP**  
**SWIVEL PIVOT HITCH ASSEMBLY**  
For 2815, 2810, 12815 & 12810 Models

REF. NO.	PART NO.	QTY.	DESCRIPTION
1	50074196	1	Hitch w/Decals
2	50074187	1	Shaft
3	15521	1	Locknut, 1-1/4" Gr. C
4	50080681	1	Clevis Assembly
5	86356	1	Collar
6	-----	2	Capscrew, 5/8" x 4-3/4" Gr. 5
7	45324	1	Capscrew, 1-1/4" x 8" Gr. 5
8	44168BH	2	Capscrew, 5/8" x 3-3/4" Gr. 5
9	15598BH	4	Locknut, 5/8"
10	50035874	1	Decal, Direction
11	97692	1	Decal, Patent
12	50045639	1	Decal, Direction
13	150033	1	Grease Fitting
14	50055486	1	Pin Weldment
15	50055447	1	Hitch Weldment
16	20048	1	Capscrew, 3/8" x 2-1/4" Gr. 5
17	9131200	1	Locknut, 3/8"
18	50054505SP	1	Swivel Pivot Hitch Assy

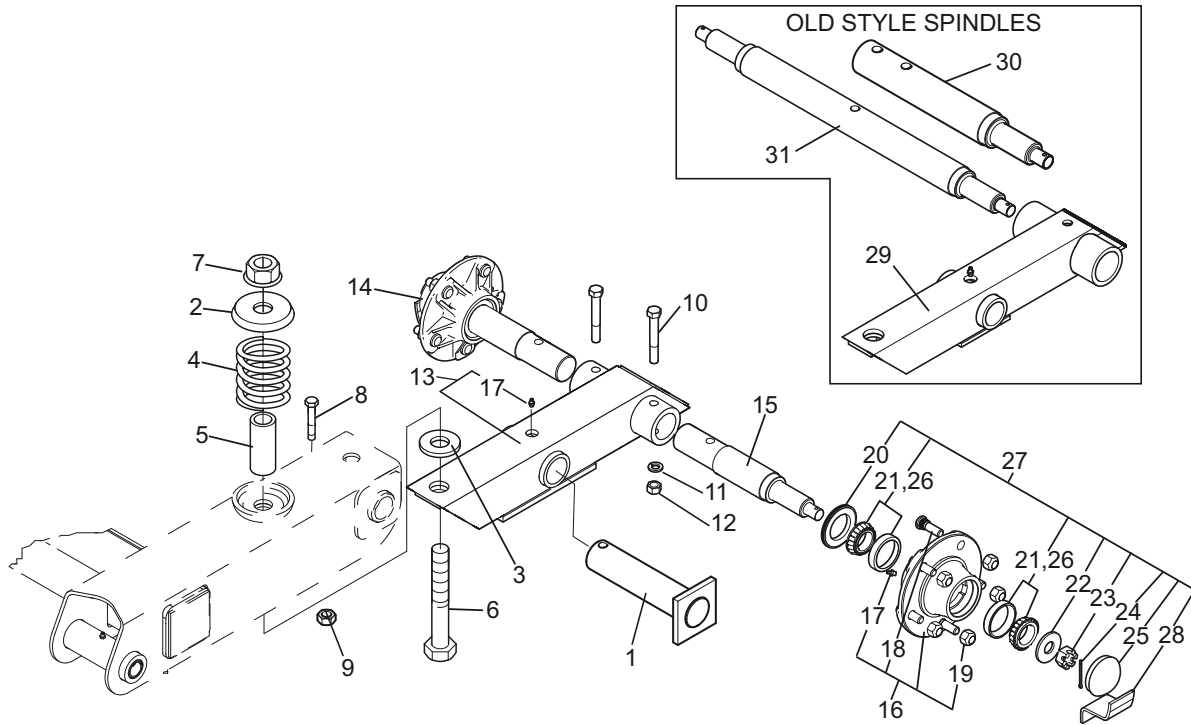
## AXLES & RELATED PARTS FOR 2815, 2810, 12815 & 12810 MODELS



REF. NO.	PART NO.	DESCRIPTION	QTY.
1	50069276	Center Axle w/Wear Bearings	1
2	50069262	Wing Axle w/Wear Bushings R.H.	1
3	50069292	Wing Axle w/Wear Bushings L.H.	1
4	50021149	Wear Bushing	14
5	50029760	Pin, Pivot, 1" x 9.88"	2
6	50054388	Pin, Pivot, 1" x 7.25"	4
7	50054387	Pin, Pivot, 1" x 8"	1
8	-----	Capscrew, 3/8" x 2" Gr. 5	7
9	-----	Locknut, 3/8"	7
10	14-32-49	Clevis Pin	2
11	-----	Cotter Pin, 3/16" x 2"	2
12	-----	Flatwasher, 7/8" SAE	2
13	50031212	Reflector, Amber	4
14	50052742	Turnbuckle Swivel Assy (15-19)	2
15	50052745	Rod Eye, Threaded	2
16	50052744	Rod Eye, Swivel	2
17	50052743	Turnbuckle Body	2

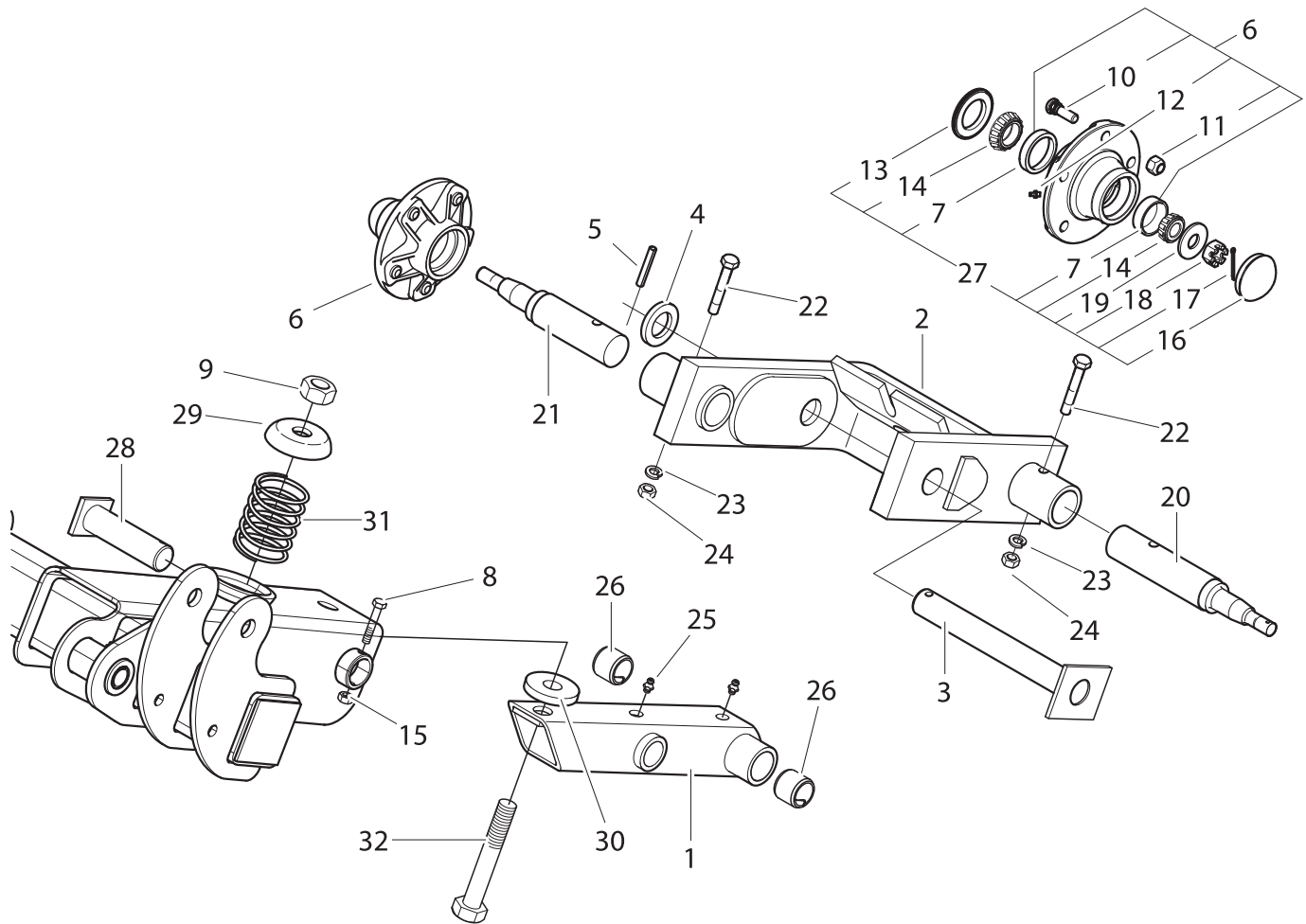
REF. NO.	PART NO.	DESCRIPTION	QTY.
18	50052746	Locknut, 1-1/4"	2
19	449BH	Grease Fitting	6
20	19137	Capscrew, 1" x 5-1/2" Gr. 5	2
21	50052732	Spacer, .75"	4
22	9163200	Locknut, 1"	2
23	50038405	Nord-Lockwasher, 1-1/4"	2
24	15821	Lockwasher, 1"	4
25	20547BH	Capscrew, 1" x 4-1/2" Gr. 5	2
26	50069408	Transport Lockout Assy	1
27	50027637	U-Bolt, Foot Platform	1
28	D544	Decal, Important	1
29	-----	Hex Nut, 3/8"	2
30	-----	Locknut, 3/8"	2
31	50069413	Cylinder Pin, 5-5/8" Lg.	1
32	20325	Roll Pin, 1/4" x 1-3/4"	2
33	-----	Flatwasher, 1"	2

## AXLE ARMS & RELATED PARTS SINGLE & DUAL SPINDLE FOR 2815, 2810, 12815 & 12810 MODELS

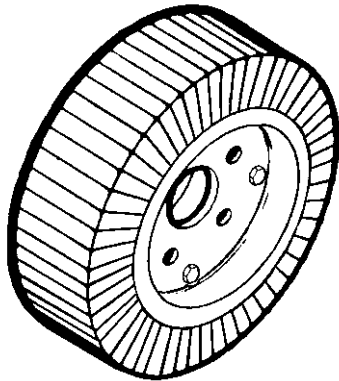


REF. NO.	PART NO.	DESCRIPTION	QTY.
	<b>50074780</b>	<b>Single Spindle Axle Arm L.H.</b>	<b>1</b>
	<b>50074779</b>	<b>Single Spindle Axle Arm R.H.</b>	<b>1</b>
	<b>50074778</b>	<b>Dual Axle Arm</b>	<b>2</b>
1	50054506	Pin Weldment	1
2	91152	Cup, Spring	1
3	91261	Cushion, Rubber	1
4	50070462	Spring, Coil	1
5	50070560	Spring Stop	1
6	20860	Capscrew, 1" x 7-1/2" Gr. 5	1
7	44524BH	Locknut, 1" Flanged	1
8	20224	Capscrew, 3/8" x 2-1/2" Gr. 5	1
9	20363	Locknut, 3/8"	1
10	20779	Capscrew, 1/2" x 3-1/2" Gr. 5	1
11	15806	Lockwasher, 1/2"	1
12	15554	Locknut, 1/2"	1
13	50074777	Axle Tube Weldment w/Grease Fitting (New Style)	1
14	50073131	Single Spindle Axle and Hub Assy.	1
15	50073119	Spindle (New Style)	1
16	50035740	Hub Assy w/Cups, Lug Bolts, Nuts & Grease Fittings	1
17	449BH	Grease Fitting	2
18	15445	Lug Bolt	5
19	15515BH	Lug Nut	5
20	7967	Seal, Grease	1
21	50076BH	Bearing Cone	2
22	15920	Flatwasher, 3/4" SAE	1
23	120BH	Slotted Nut, 3/4" NF	1
24	15973	Cotter Pin	1
25	14-6-243	Hub Cap	1
26	14-6-197	Bearing Cup	2
27	50035756	Bearing Repair Kit	1
28	00779390	Retainer, Hub Cap	1
29	92007	Axle Tube Weld. (Old Style) w/Grease Fitting	1
30	50052960	Single Spindle (Old Style)	1
31	50069411	Dual Spindle (Old Style)	1

## TANDEM AXLE ASSEMBLY FOR 2815, 2810, 12815 & 12810 MODELS

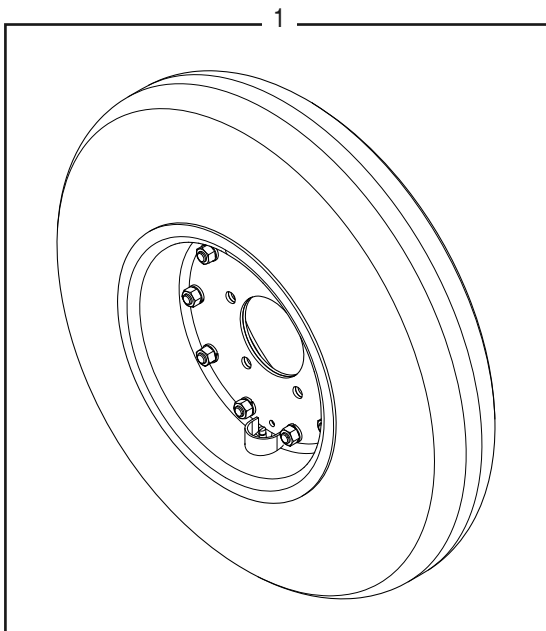


REF. NO.	PART NO.	DESCRIPTION	QTY.	REF. NO.	PART NO.	DESCRIPTION	QTY.
	<b>50035741</b>	<b>Tandem Axle Assy L.H. (Shown)</b>	<b>1</b>	17	296	Cotter Pin, 1/8" x 1-1/2"	2
	<b>50035742</b>	<b>Tandem Axle Assy R.H.</b>	<b>1</b>	18	120BH	Nut, Slotted, 3/4" NF	2
1	50032471	Tube Assy w/Grease Fittings	1	19	15920	Flatwasher, 3/4" SAE	2
2	50032478	Spindle Weldment L.H. (Shown)	1	20	50041171	Spindle, 11.19" (Long)	1
	50032477	Spindle Weldment R.H.	1	21	50041170	Spindle, 9.82" (Short)	1
3	50032483	Pin Weldment	1	22	-----	Capscrew, 1/2" x 3-1/4"	2
4	15924	Flatwasher, 1-1/2"	1	23	-----	Locknut, 1/2"	2
5	53065	Spiral Pin, 3/8" x 2-1/2"	1	24	-----	Lockwasher, 1/2"	2
6	50035740	Hub Assembly	1	25	449BH	Grease Fitting	2
7	14-6-197	Bearing Cup	2	26	50028543	Spring Bushing	2
8	-----	Capscrew, 3/8" x 2-1/2" Gr. 5	4	27	50035756	Bearing Repair Kit	1
9	44524BH	Locknut, 1" Flanged	4	28	50054506	Pin Weldment	4
10	15445	Lug Bolt	5	29	91152	Spring Cup	4
11	15515BH	Lug Nut	5	30	91261	Rubber Cushion	4
12	449BH	Grease Fitting	1	31	50035301	Spring, Coil	4
13	7967	Seal	2	32	20860	Capscrew, 1" x 7-1/2"	4
14	50076BH	Bearing Cone, Inner	4				
15	20363	Locknut, 3/8"	4				
16	14-6-243	Hub Cap	2				



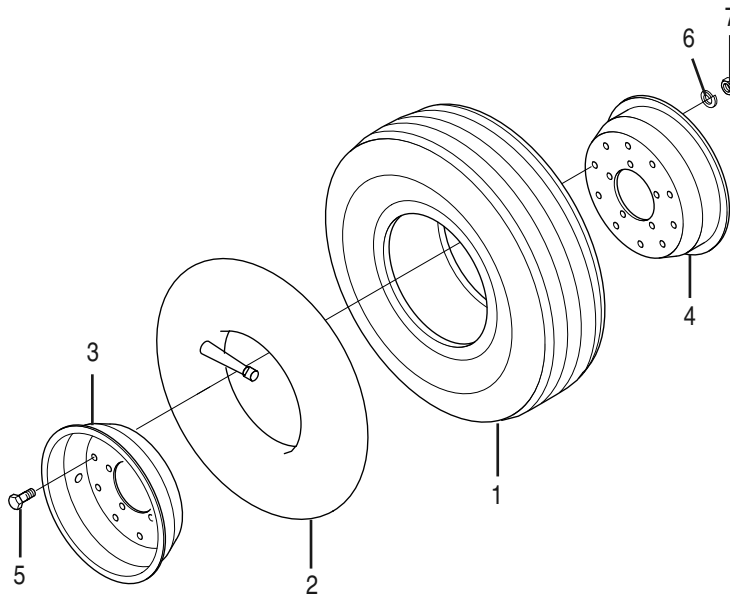
**294SP SOLID TIRE ASSEMBLY**  
**Models: 2815, 2810, 12815 & 12810**

**50068834SP FOAM FILLED AIRPLANE TIRE ASSY.**  
**26 x 6.6 x 14"**



REF. NO.	PART NO.	DESCRIPTION	QTY.
1	50068834SP	Foam Filled Tire Assembly 26 x 6.6 x 14	1





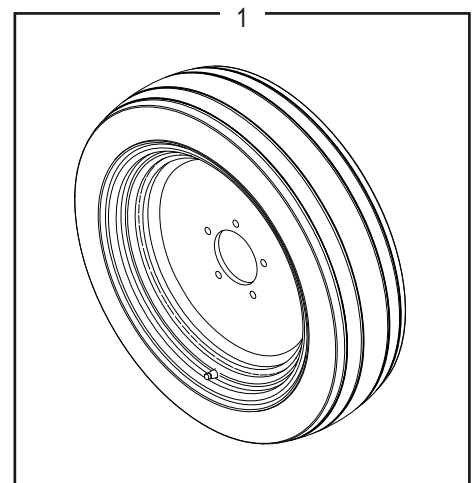
**50050727SP AIRPLANE TIRE ASSEMBLY**

Models: 2815, 2810, 12815 & 12810

REF. NO.	PART NO.	DESCRIPTION	QTY.
1	50051233BH	Tire 29 x 9.0 - 15/16 Ply	1
2	50051234	Tube 9 x 15	1
3	50051235	Wheel Flange w/Valve Hole	1
4	50051236	Wheel Flange w/o Valve Hole	1
5	-----	Capscrew, 1/2" x 1" Gr. 5	10
6	-----	Lockwasher, 1/2"	10
7	-----	Hex Nut, 1/2"	10

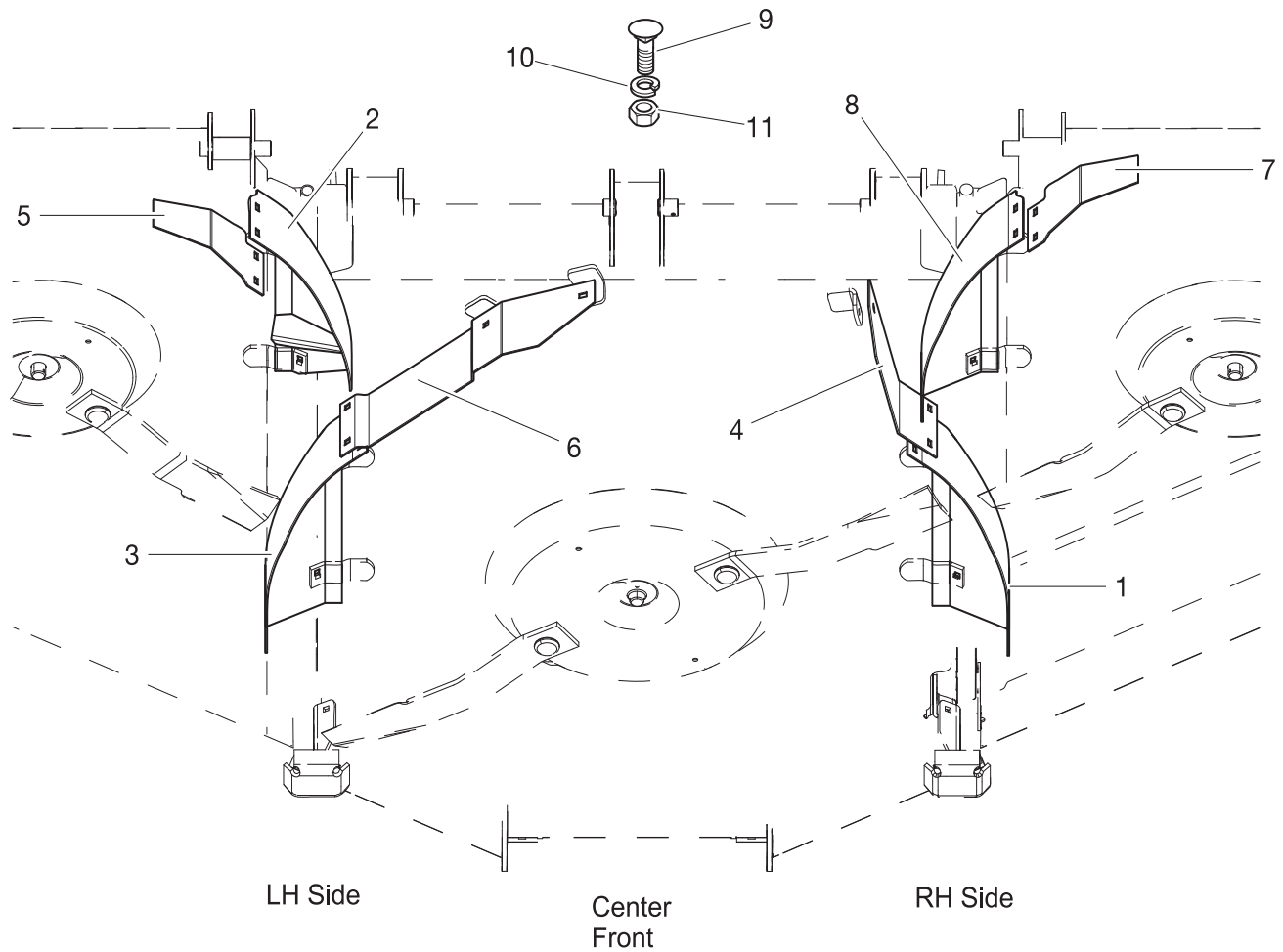
**5007775SP FOAM FILLED AIRPLANE TIRE ASSY.**  
25" x 7" - 18"

REF. NO.	PART NO.	DESCRIPTION	QTY.
1	5007775SP	Foam Filled Tire Assembly 25" x 7"- 18"	1



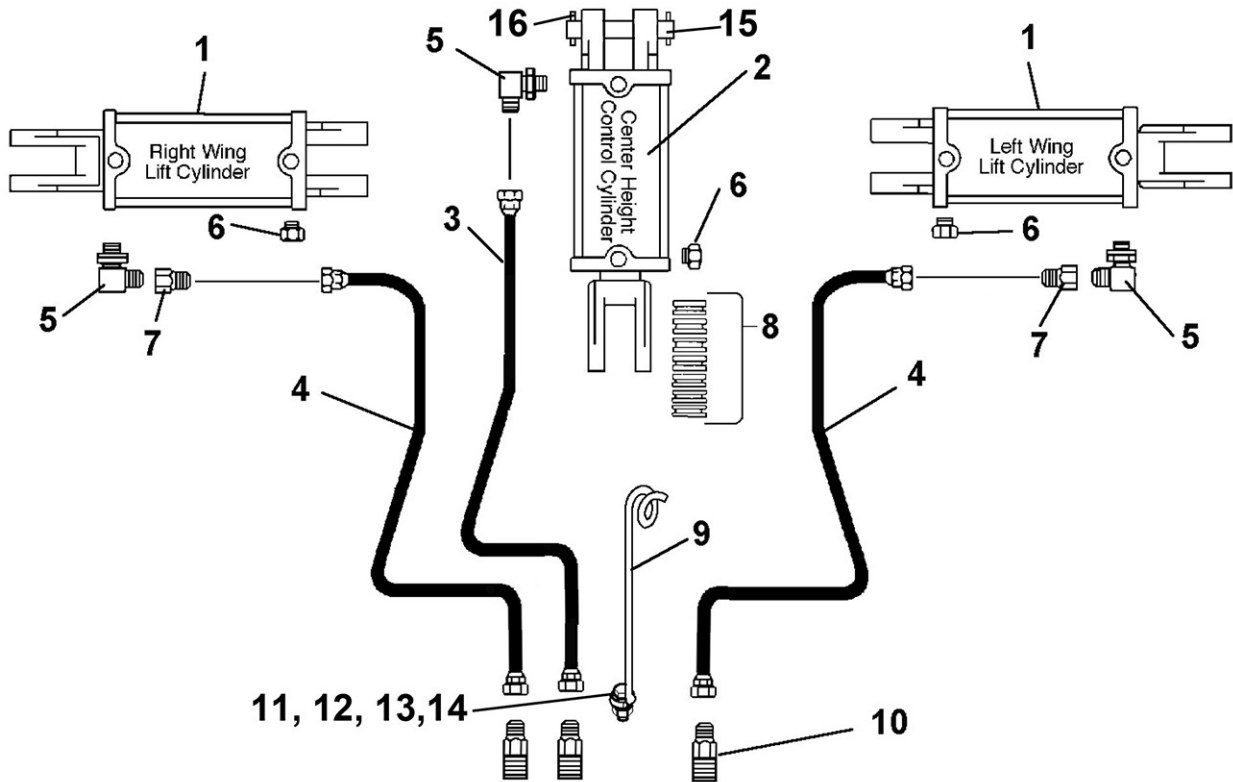


## BAFFLE KIT FOR 2815, 2810, 12815 & 12810 MODELS



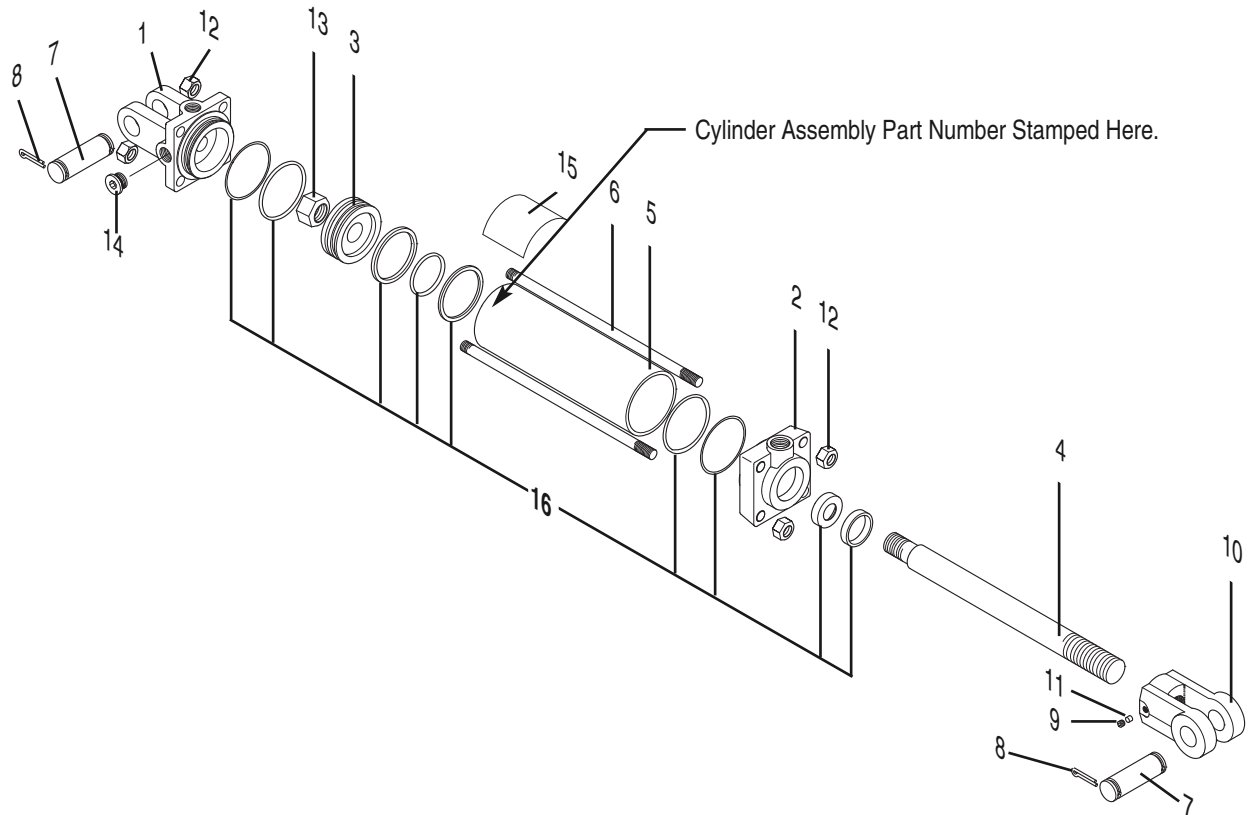
REF. NO.	PART NO.	DESCRIPTION	QTY.
1	50070222	Baffle Weldment R.H. Wing	1
2	50070223	Baffle Weldment L.H. Wing (2815, 12815 Only)	1
3	50070224	Baffle Weldment L.H. Center	1
4	50070225	Baffle Extension R.H. Center	1
5	50070228	Baffle Extension L.H. Wing (2815, 12815 Only)	1
6	50070229	Baffle Extension L.H. Center	1
7	50070232	Baffle Extension R.H. Wing	1
8	50070219	Baffle Weldment R.H. Wing	1
9	-----	Carriage Bolt, 3/8" x 1-1/2 Gr. 5	9
10	-----	Lockwasher, 3/8"	9
11	-----	Hex Nut, 3/8"	9





**HYDRAULICS FOR 2815, 2810, 12815 & 12810 MODELS  
WHEN PLUMBING TO TRACTOR REMOTES**

REF. NO.	PART NO.	DESCRIPTION	QTY.
1	99564	Wing Lift Cylinder	2
2	99565	Axle Control Cylinder	1
3	62774	Hydraulic Hose Assy. 228"	1
4	50015063	Hydraulic Hose Assy. 196"	2
5	14-40-98	Elbow 90 degree	3
6	86500	Breather Plug	3
7	50068458	Restrictor, .078 Orifice	2
8	63451	Stop Kit	1
9	12031	Rod,Hose Holder	1
10	53340BH	Adaptor 9/16 JIC to 3/4 SAE	3
	24-6-434	Adaptor 9/16 JIC to 1/2 NPT	3
11	-----	Capscrew, 5/8" x 2" Gr. 5	1
12	-----	Flatwasher, 5/8"	1
13	-----	Lockwasher, 5/8"	1
14	-----	Hex Nut, 5/8"	1
15	50069414	Cylinder Pin, 6-5/8" Lg.	1
16	20325	Roll Pin, 1/4" x 1-3/4"	2



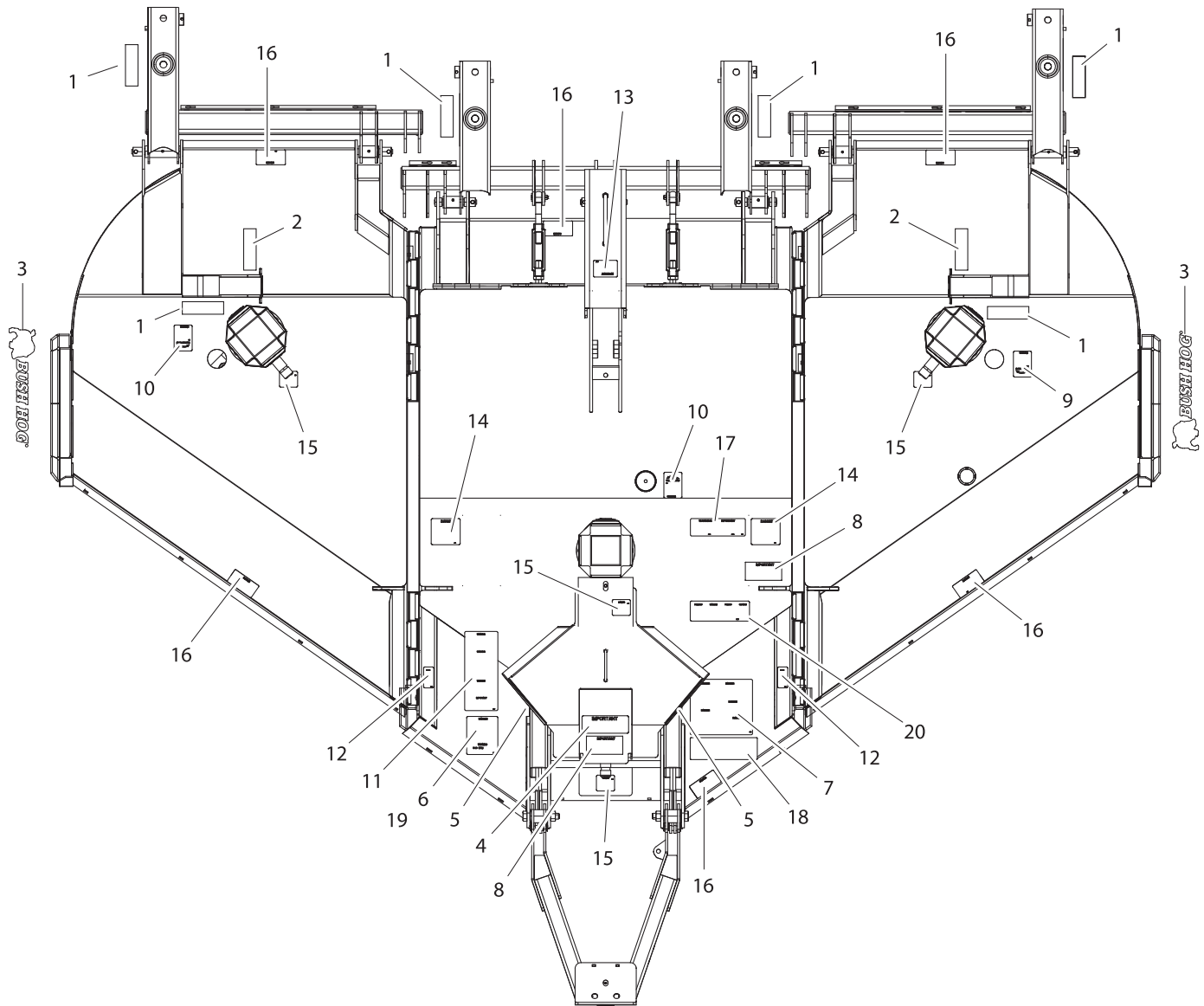
**99565 AXLE HYDRAULIC CYLINDER**  
**3.5" Bore x 8" Stroke 1.25 Rod Diameter**  
**3/4" – 16 ORB Ports**  
**Manufactured by Monarch**

REF. NO.	PART NO.	DESCRIPTION	QTY.
1	95249	Clevis Cap	1
2	95430	Rod Cap	1
3	95432	Piston	1
4	95431	Rod 1.25" Dia.	1
5	95426	Cylinder Tube	1
6	95427	Tie Rod	4
7	95425	Pin, 1" Dia.	2
8	21020614	Cotter Pin, 3/16" x 1-1/2"	4
9	95433	Thread Lock	1
10	95428	Rod Clevis, 1.25" x 1"	1
11	95422	Set Screw, 3/8" x 1/2 Knurled	1
12	95420	Hex Nut, 5/8" UNF	8
13	95421	Hex Nut, 1"-14	1
14	95435	Plug, 3/4"	1
15	95423	Decal, Caution	1
16	50017623	Seal Kit	1

**99564 WING HYDRAULIC CYLINDER**  
**3" Bore x 12" Stroke 1.25" Rod Diameter**  
**3/4" – 16 ORB Ports**  
**Manufactured by Monarch**

REF. NO.	PART NO.	DESCRIPTION	QTY.
1	95440	Clevis Cap	1
2	95439	Rod Cap	1
3	95441	Piston	1
4	95436	Rod 1.25" Dia.	1
5	95437	Cylinder Tube	1
6	95438	Tie Rod	4
7	95425	Pin, 1" Dia.	2
8	21020614	Cotter Pin, 3/16" x 1-1/2"	4
9	95433	Thread Lock	1
10	95428	Rod Clevis, 1.25" x 1"	1
11	95422	Set Screw, 3/8" x 1/2 Knurled	1
12	8151600	Hex Nut, 1/2"-14 UNC	8
13	95421	Hex Nut, 1"-14	1
14	95435	Plug, 3/4"	1
15	95423	Decal, Caution	1
16	50017622	Seal Kit	1

## DECAL KITS FOR 2815, 2810, 12815 & 12810 MODELS



REF. NO.	PART NO.	DESCRIPTION	QTY.	REF. NO.	PART NO.	DESCRIPTION	QTY.
	<b>50069429</b>	<b>Decal Kit For 2815/12815</b>	<b>1</b>	9	D552	Decal, Blade Rotation CW	1
	<b>50069427</b>	<b>Decal Kit For 2810/12810</b>	<b>1</b>	10	D551	Decal, Blade Rotation CCW	2
1	50031212	Decal, Amber Reflector	6	11	D553	Decal, Warning	1
2	50031214	Decal, Red Reflector	2	12	D555	Decal, Danger	2
3	50061049	Decal, Bush Hog Logo	2	13	D544	Decal, Important	1
4	87340	Decal, Important	1	14	D565	Decal, Danger	2
5	50069419	Decal, Model 2815	2	15	D546	Decal, Danger	4
	50069420	Decal, Model 12815	2	16	D614	Decal, Danger (Thrown Object)	6
	50070506	Decal, Model 2810	2	17	D559	Decal, Gen. Bush Hog Parts	1
	50070507	Decal, Model 12810	2	18	D587	Decal, Lube	1
6	D547	Decal, Danger (540 RPM)	1	19	D548	Decal, Warning (1000 RPM Overlay)	1
7	D549	Decal, Sheet	1	20	D813	Decal, Danger - Multilingual	1
8	91443	Decal, Important	1				









**BUSH HOG<sup>®</sup>**

2501 GRIFFIN AVE. • SELMA, AL 36703  
[WWW.BUSHHOG.COM](http://WWW.BUSHHOG.COM)