

J-2000

English version

EDITION - 10/2015

CODE - 0

Parts catalog



M QUINAS AGR COLAS JACTO S.A.

Rua Dr. Luiz Miranda, 1650

17580-000 - Pompéia - SP - Brasil

Tel.: +55 14 3405-2100 - Fax: +55 14 3452 1306

[E-mail: export@jacto.com.br](mailto:export@jacto.com.br)

Home page: <http://www.jacto.com.br>

J-2000/2600

EQUIPMENT	PAGE
J-2000.....	4

J-2000
(Edition: 2015/10)

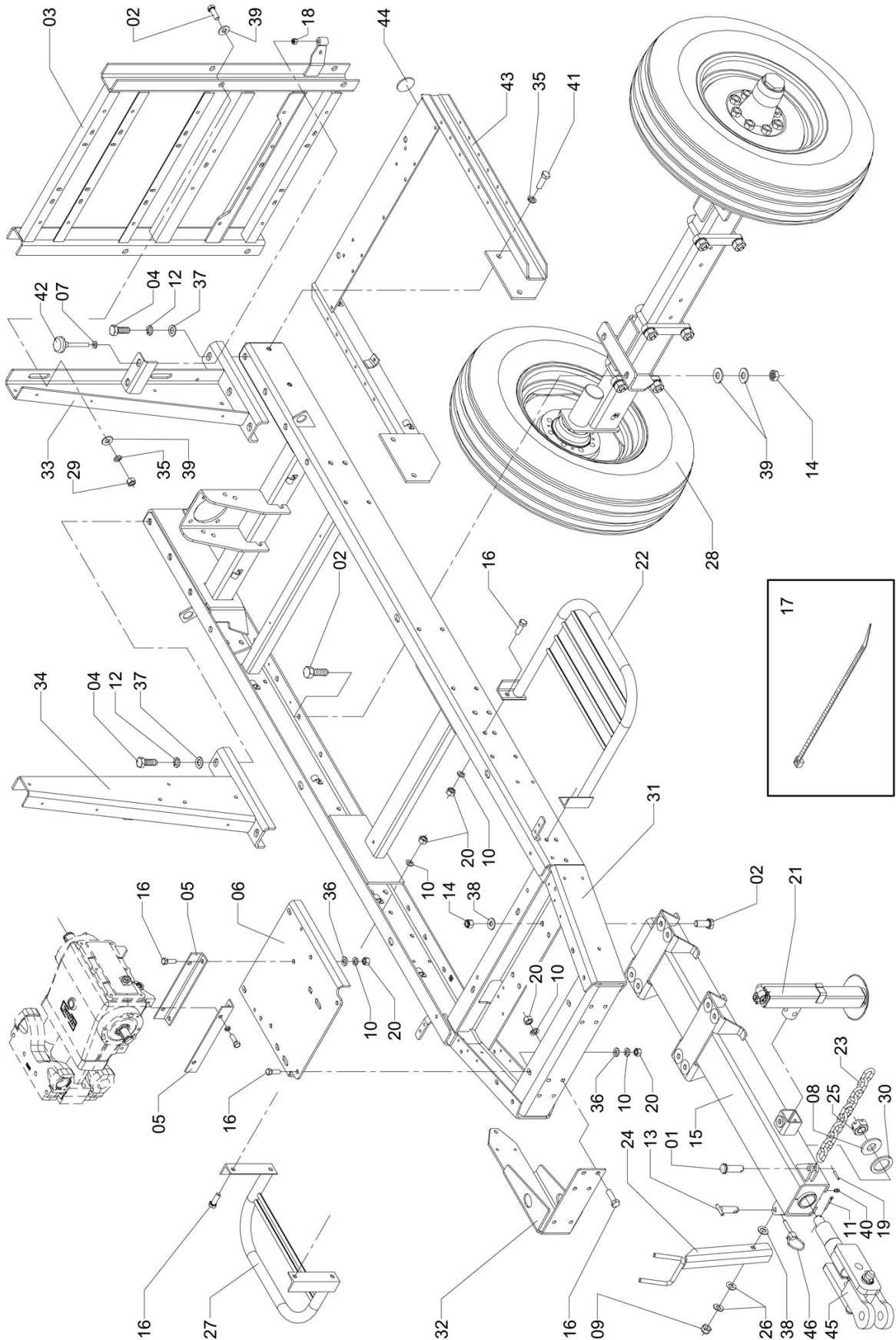
ENTIRE ASSEMBLIES	PAGE
ACCESSORIES BOX	
15-LITER TANK ASSEMBLY	85
ACCESSORY BOX (J2000)	44
ASSEMBLY - 15-LITER CONTAINER + SUPPORT)	84
ASSEMBLY - COMBINATION WRENCH + SCREW WRENCH (FOR EXPORT)	82
EJECTOR - 40 L/MIN WITH 10-M HOSE	87
EJECTOR - 40 L/MIN WITH 5-M HOSE	86
EJECTOR - 40 L/MIN WITHOUT HOSE	46
FILLER UNIT - 100 L/MIN (5-METERS HOSE)	89
FILLER UNIT - 100 L/MIN. (10-METERS HOSE)	88
HOSE ASSEMBLY - 3/8" X 10	92
HOSE ASSEMBLY - 3/8" X 5M	91
SPRAY LANCE ASSEMBLY	90
TIGHTENING PLATE	83
CHEMICAL CIRCUIT AND COMPLEMENTS	
CHEMICAL CIRCUIT	28
CHEMICAL CIRCUIT (JP-100 / 2-WAY MASTERFLOW)	32
CHEMICAL CIRCUIT (JP-50 / 2-WAY MASTERFLOW)	30
CHEMICAL CIRCUIT (JP-50 / 4-WAY MASTERFLOW)	26
FLEXIBLE COUPLING 9	66
HOSE - CONTROL / PUMP	73
HOSE - FILTER / JUMP	70
HOSE - FILTER / TANK	71
HOSE - RINSE NOZZLE / CONTROL	72
HOSE ASSEMBLY - J2000	24
JP-100 PUMP	20
LEVEL GAUGE	69
LEVEL GAUGE NO. 11	68
LEVEL INDICATOR	74
PISTON PUMP - 50L/MIN	18
SUCTION FILTER WITH VALVE FOR 200 LITERS	22
VALVE FOR PUMP - 18	67
CHEMICAL CONTAINER RINSE NOZZLE KIT	
CHEMICAL CONTAINER CLEANING NOZZLE	99
CHEMICAL CONTAINER CLEANING NOZZLE ROD	100
DIRECTIONAL VALVE	97
RINSE NOZZLE	98
CHEMICAL CONTROL AND COMPLEMENTS	
CABLE ACTUATION BOX	78
CABLE-OPERATED DRIVE BOX	79
MANUAL QUICK RELIEF ASSEMBLY	42
MASTERFLOW CONTROL / CABLE - 2 WAYS	81
MASTERFLOW CONTROL 2000 - 2 CABLES - J2000	76
MASTERFLOW CONTROL 2000 - 2X2 LEVER AND CABLE	34
NOZZLE BRANCH ASSEMBLY - CABLE WITH SENSOR	36
QUICK RELIEF ASSEMBLY	40
RIGHT NOZZLE BRANCH	38
SAFETY VALVE	77
SAFETY VALVE	80
DRIVE TRANSMISSION AND COMPLEMENTS	
DRIVE PULLEY WITH GEAR	103
FAN	104
FAN BEARING HOUSING HOUSING ASSEMBLY	105
FAN HOUSING COVER	107
MOTOR TRANSMISSION	101
MULTIPLIER GEARBOX WITH PULLEY	102
SPLINED HUB WITH HITCH	106
PTO SHAFT Y COMPLEMENTS	
WIDE ANGLE CV PTO SHAFT	75
SPRAY APPLICATION ASSEMBLY	
APPLICATION ASSEMBLY	61
EXTENSION ASSEMBLY	16
HYDRAULIC CYLINDER	65
HYDRAULIC CYLINDER - 32 X 100 WITH NIPPLE	64
INTERMEDIATE DUCT - JS2000 (ROTATING)	62
UPPER DUCT ASSEMBLY - J2000	63

J-2000
(Edition: 2015/10)

Continuation

ENTIRE ASSEMBLIES	PAGE
STICKERS	
STICKER - ANTI-FREEZING TEST OK	113
STICKER - DRAWBAR ADJUSTMENT - ENGLISH	110
STICKER - DRAWBAR ADJUSTMENT - PORTUGUESE	109
STICKER - DRAWBAR ADJUSTMENT - SPANISH	108
STICKER - J2000	50
STICKER - J2000	111
STICKER - J-2000	112
STICKER - TRAILER ARBUS LINE	52
TANK AND COMPLEMENTS	
2,000-LITER TANK	48
2,000-LITER TANK - PLASTIC	95
COVER ASSEMBLY WITH RING - NBR	96
MECHANICAL AGITATOR - 2005 - 02	93
TIGHTENING PULLEY - 78-1A (SHAFT 15 X 50.5)	94
TRAILER AND COMPLEMENTS	
ADJUSTABLE AXLE N 13	12
ADJUSTABLE AXLE NO. 15	10
ARTICULATED HITCH	56
ARTICULATED HITCH ASSEMBLY - TRACTOR CLASS "I" ASAE	60
JACK NO. 10	54
PROTECTION ASSEMBLY	14
TANDEM AXLE	59
TIRE ASSEMBLY - 11LB X 15 WITH 8-HOLE WHEEL	57
TIRE ASSEMBLY - 7.50 X 16 WITH 8-HOLE WHEEL	58
TRAILER ASSEMBLY (ADJUSTABLE SHAFT NO.13)	8
TRAILER ASSEMBLY (ADJUSTABLE SHAFT NO.15)	6
WHEEL HUB ASSEMBLY - 8 HOLES	55

TRAILER ASSEMBLY (ADJUSTABLE SHAFT NO.15)



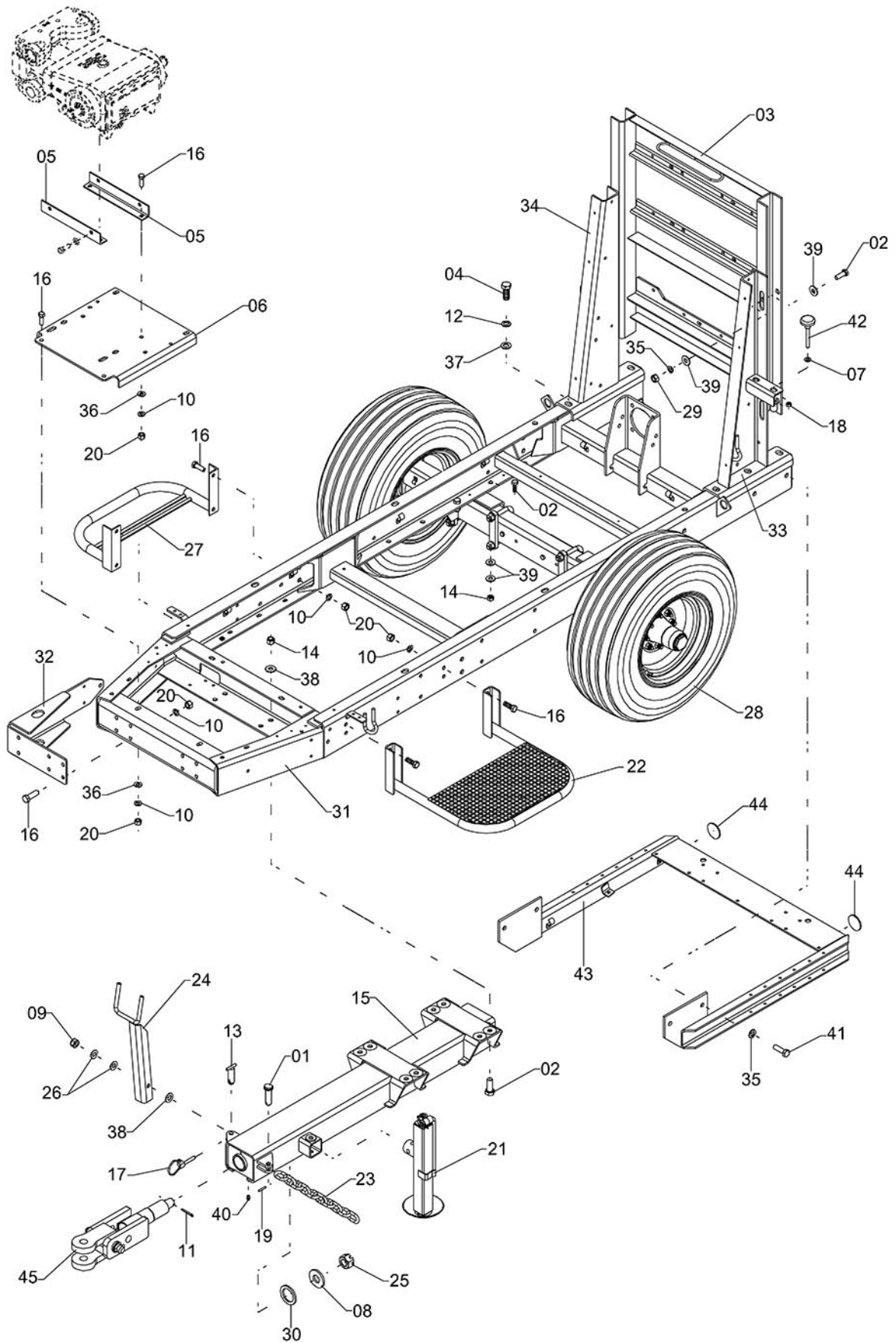
C-809

TRAILER ASSEMBLY (ADJUSTABLE SHAFT NO.15)

Continuation

Item	CODE	DESCRIPTION	Qty.	Item	CODE	DESCRIPTION	Qty.
00	167510	Trailer assembly (Adjustable shaft no.15)	1				
01	104836	Cylinder shaft	1				
02	984963	Hex bolt - M16 x 50 x 1.50	16				
03	174102	Fan Frame	1				
04	174334	Hex bolt - M20 x 50 x 1.50 - CL. 8.8	6				
05	175315	Pump support	2				
06	179267	Pump base	1				
07	881292	Flat washer 135 x 320 x 30	2				
08	001982	Flat washer - 300 x 650 x 63	1				
09	202663	Nylon-insert lock nut 1/2" - 13 UNC	1				
10	209163	Locking washer - M12	18				
11	209783	Cotter pin - 4.75 x 38.1	1				
12	211102	Locking washer - 20	6				
13	118190	Fastening pin	1				
14	044107	Nylon-insert lock nut - - M16 x 1.50	12				
15	233833	Trailer towbar	1				
16	280925	Hex bolt - M12 x 35 x 1.50	18				
17	323584	Cable tie - Insulok	1				
18	326280	Nut - 1/2" UNC	2				
19	330076	Elastic pin - 4 x 16 (heavy)	1				
20	427013	Hex nut - M12 x 1.5 - CL. 8	18				
21	431064	Jack no. 10	1				
22	437616	Platform	1				
23	118216	Safety chain - 2200	1				
24	556704	Drive shaft support	1				
25	625160	Castle nut - 1.1/8" - 7 UNC	1				
26	715979	Plate spring - 14.2 x 28 x 1.50	2				
27	724344	Filter guard rail	1				
28	073320	Adjustable axle no. 15	1				
29	742015	Nut - M16 x 1.50	4				
30	007567	Flat washer - 500 x 700 x 47,5	1				
31	076109	Chassis	1				
32	076216	Pump protector	1				
33	076265	Left column	1				
34	076273	Right column	1				
35	764142	Locking washer - M16	8				
36	818112	Flat washer - 13 x 24 x 3 - steel	8				
37	818153	Flat washer - 210 x 370 x 30	6				
38	881243	Flat washer - 17 x 30 x 1.9 - steel	9				
39	881300	Flat washer - 17.0 x 38.0 x 3.0 - steel	16				
40	910463	Grease nipple - 1/4" - 28 UNF	1				
41	934422	Hex bolt - M16 x 50	4				
42	941948	Tensioner bolt - 1/2" - 13 UNC	2				
43	941971	Rear bumper	1				
44	097360	Reflector	2				
45	1145214	Articulated Hitch	1				
46	330407	Universal lock pin 5/16"	1				

TRAILER ASSEMBLY (ADJUSTABLE SHAFT NO.13)



C-808

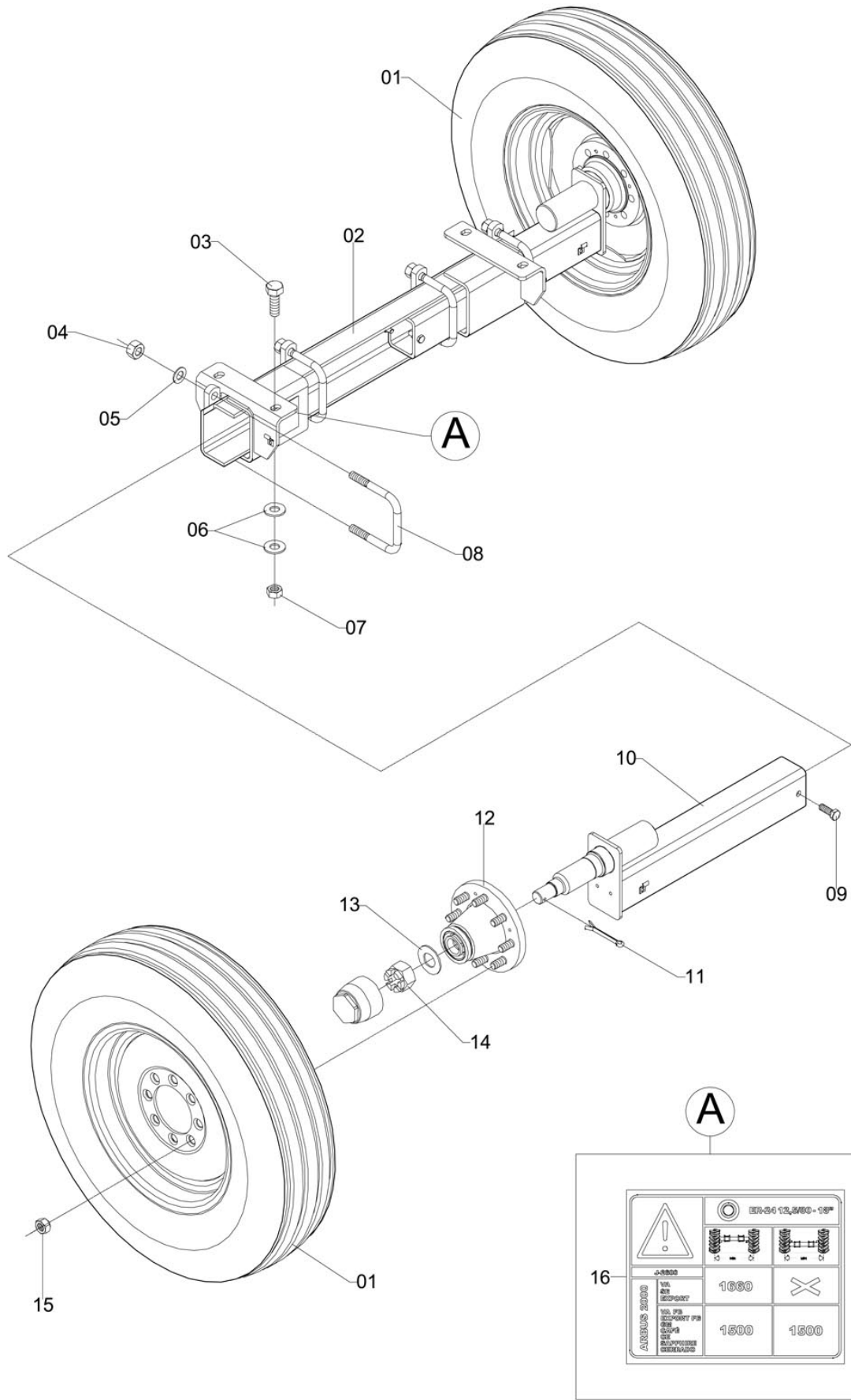
Controlled copy – Distribution and reproduction prohibited

TRAILER ASSEMBLY (ADJUSTABLE SHAFT NO.13)

Continuation

Item	CODE	DESCRIPTION	Qty.	Item	CODE	DESCRIPTION	Qty.
00	279695	Trailer assembly (Adjustable shaft no.13)	1				
01	104836	Cylinder shaft	1				
02	984963	Hex bolt - M16 x 50 x 1.50	16				
03	174102	Fan Frame	1				
04	174334	Hex bolt - M20 x 50 x 1.50 - CL. 8.8	6				
05	175315	Pump support	2				
06	179267	Pump base	1				
07	881292	Flat washer 135 x 320 x 30	2				
08	001982	Flat washer - 300 x 650 x 63	1				
09	202663	Nylon-insert lock nut 1/2" - 13 UNC	1				
10	209163	Locking washer - M12	18				
11	209783	Cotter pin - 4.75 x 38.1	1				
12	211102	Locking washer - 20	6				
13	118190	Fastening pin	1				
14	044107	Nylon-insert lock nut - - M16 x 1.50	12				
15	233833	Trailer towbar	1				
16	280925	Hex bolt - M12 x 35 x 1.50	18				
17	330407	Universal lock pin 5/16"	1				
18	326280	Nut - 1/2" UNC	2				
19	330076	Elastic pin - 4 x 16 (heavy)	1				
20	427013	Hex nut - M12 x 1.5 - CL. 8	18				
21	431064	Jack no. 10	1				
22	749127	Platform	1				
23	118216	Safety chain - 2200	1				
24	556704	Drive shaft support	1				
25	625160	Castle nut - 1.1/8" - 7 UNC	1				
26	715979	Plate spring - 14.2 x 28 x 1.50	2				
27	724344	Filter guard rail	1				
28	997551	Adjustable axle n 13	1				
29	742015	Nut - M16 x 1.50	4				
30	007567	Flat washer - 500 x 700 x 47,5	1				
31	076109	Chassis	1				
32	076216	Pump protector	1				
33	076265	Left column	1				
34	076273	Right column	1				
35	764142	Locking washer - M16	8				
36	818112	Flat washer - 13 x 24 x 3 - steel	8				
37	818153	Flat washer - 210 x 370 x 30	6				
38	881243	Flat washer - 17 x 30 x 1.9 - steel	9				
39	881300	Flat washer - 17.0 x 38.0 x 3.0 - steel	16				
40	910463	Grease nipple - 1/4" - 28 UNF	1				
41	934422	Hex bolt - M16 x 50	4				
42	941948	Tensioner bolt - 1/2" - 13 UNC	2				
43	941971	Rear bumper	1				
44	097360	Reflector	2				
45	1145214	Articulated Hitch	1				
	323584	Cable tie - Insulok	1				

ADJUSTABLE AXLE NO. 15



EX-231

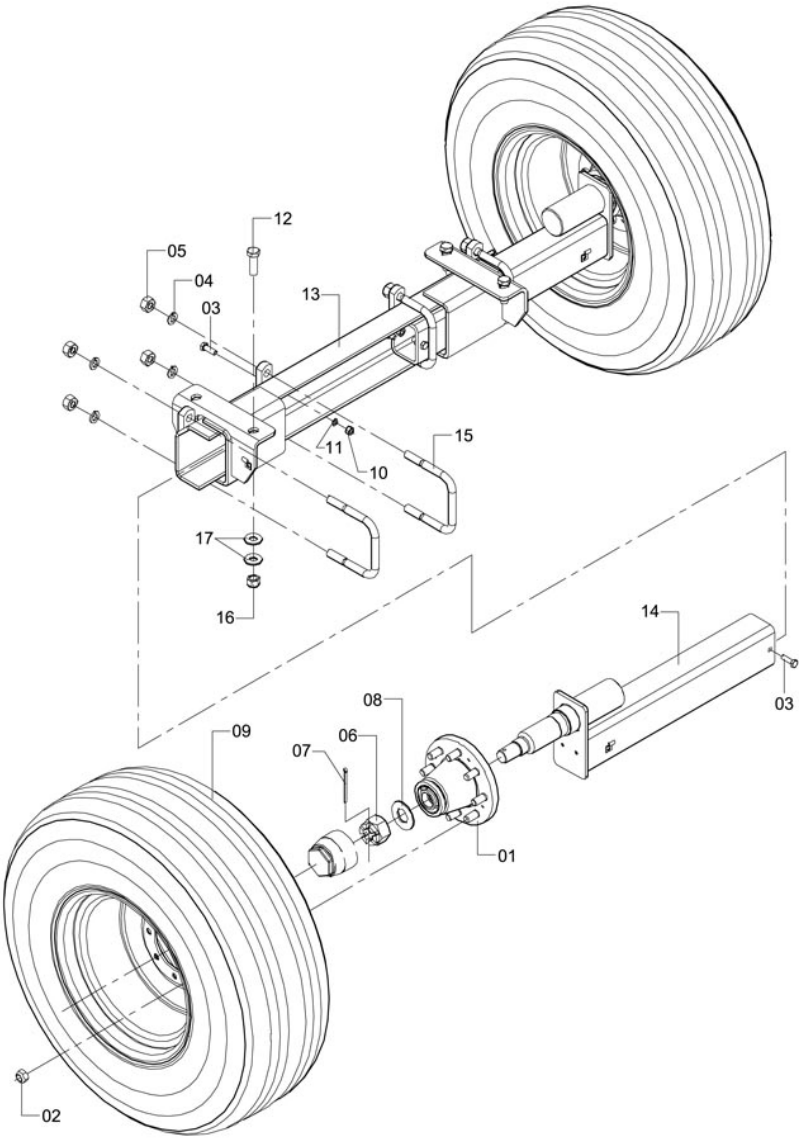
ADJUSTABLE AXLE NO. 15

Continuation

Item	CODE	DESCRIPTION	Qty.	Item	CODE	DESCRIPTION	Qty.
00	073320	Adjustable axle no. 15	1				
01	176172	Tire assembly - 7.50 x 16 with 8-hole wheel	2				
02	997569	Fixed central body	1				
03	984963	Hex bolt - M16 x 50 x 1.50	4				
04	826297	Hex nut - M16 x 2	8				
05	764142	Locking washer - M16	8				
06	881300	Flat washer - 17.0 x 38.0 x 3.0 - steel	8				
07	044107	Nylon-insert lock nut - - M16 x 1.50	4				
08	997882	U-clip	4				
09	757559	Hex bolt - M10 x 30 x 1.25	4				
10	997619	Axle moving end	2				
11	831354	Cotter pin - 6.30 x 50.8	2				
12	063586	Wheel hub assembly - 8 holes	2				
13	881334	Flat washer - 330 x 650 x 31	2				
14	831347	Castle nut - M30 x 2"	2				
15	700377	Conical nut - 5/8" - 18 UNF	16				
16	097428	Sticker - Minimum Recommended Track Width	1				

Controlled copy – Distribution and reproduction prohibited

ADJUSTABLE AXLE N 13



EX-229

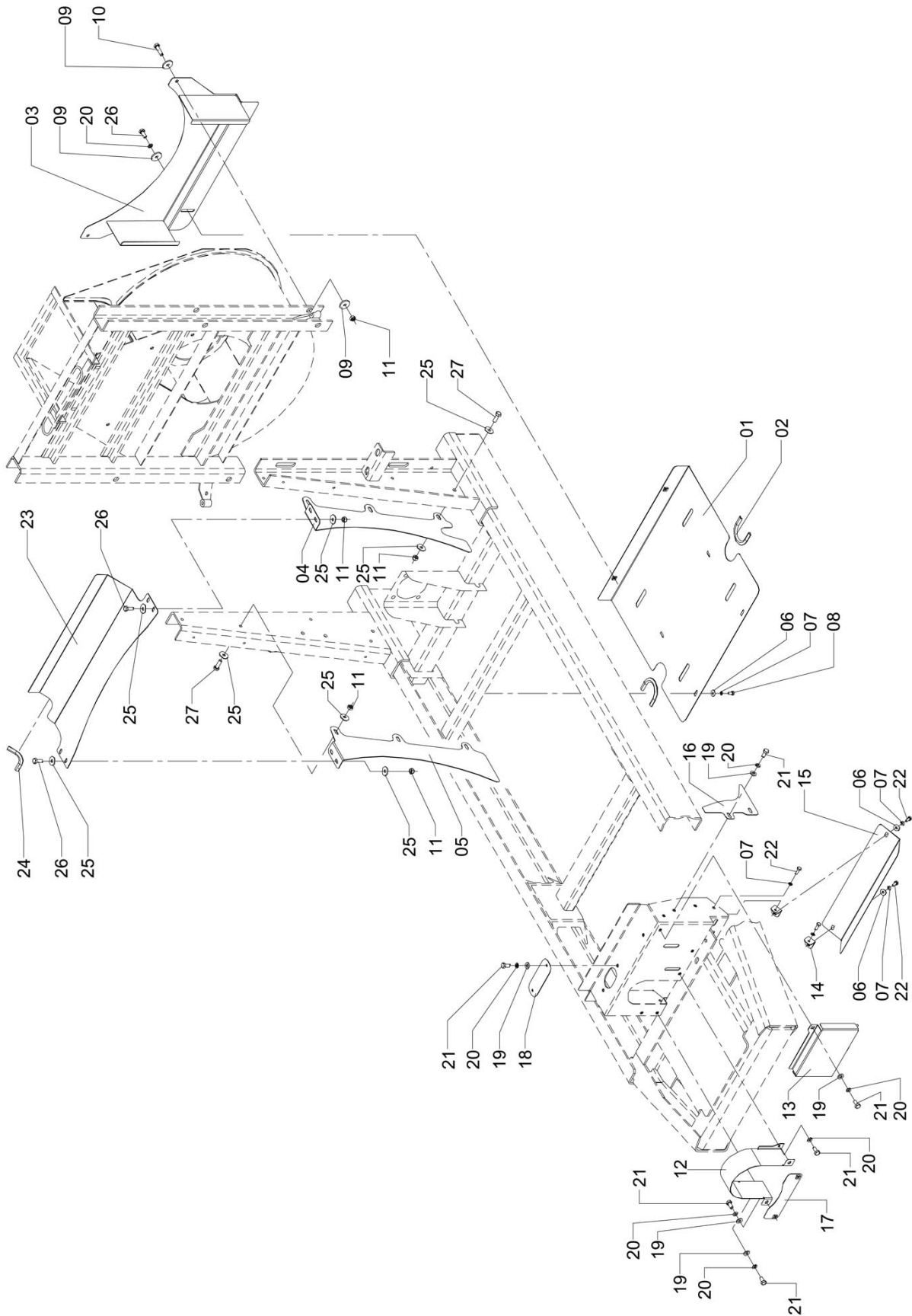
ADJUSTABLE AXLE N 13

Continuation

Item	CODE	DESCRIPTION	Qty.	Item	CODE	DESCRIPTION	Qty.
00	997551	Adjustable axle n 13	1				
01	063586	Wheel hub assembly - 8 holes	2				
02	700377	Conical nut - 5/8" - 18 UNF	16				
03	757559	Hex bolt - M10 x 30 x 1.25	4				
04	764142	Locking washer - M16	8				
05	826297	Hex nut - M16 x 2	8				
06	831347	Castle nut - M30 x 2"	2				
07	831354	Cotter pin - 6.30 x 50.8	2				
08	881334	Flat washer - 330 x 650 x 31	2				
09	176917	Tire assembly - 11lb x 15 with 8-hole wheel	2				
10	907030	Nut - M10 x 1.25	2				
11	209395	Locking washer - M10 - steel	4				
12	984963	Hex bolt - M16 x 50 x 1.50	4				
13	997569	Fixed central body	1				
14	997619	Axle moving end	2				
15	997882	U-clip	4				
16	044107	Nylon-insert lock nut - - M16 x 1.50	4				
17	881300	Flat washer - 17.0 x 38.0 x 3.0 - steel	8				
	097428	Sticker - Minimum Recommended Track Width	1				

Controlled copy – Distribution and reproduction prohibited

PROTECTION ASSEMBLY



C-807

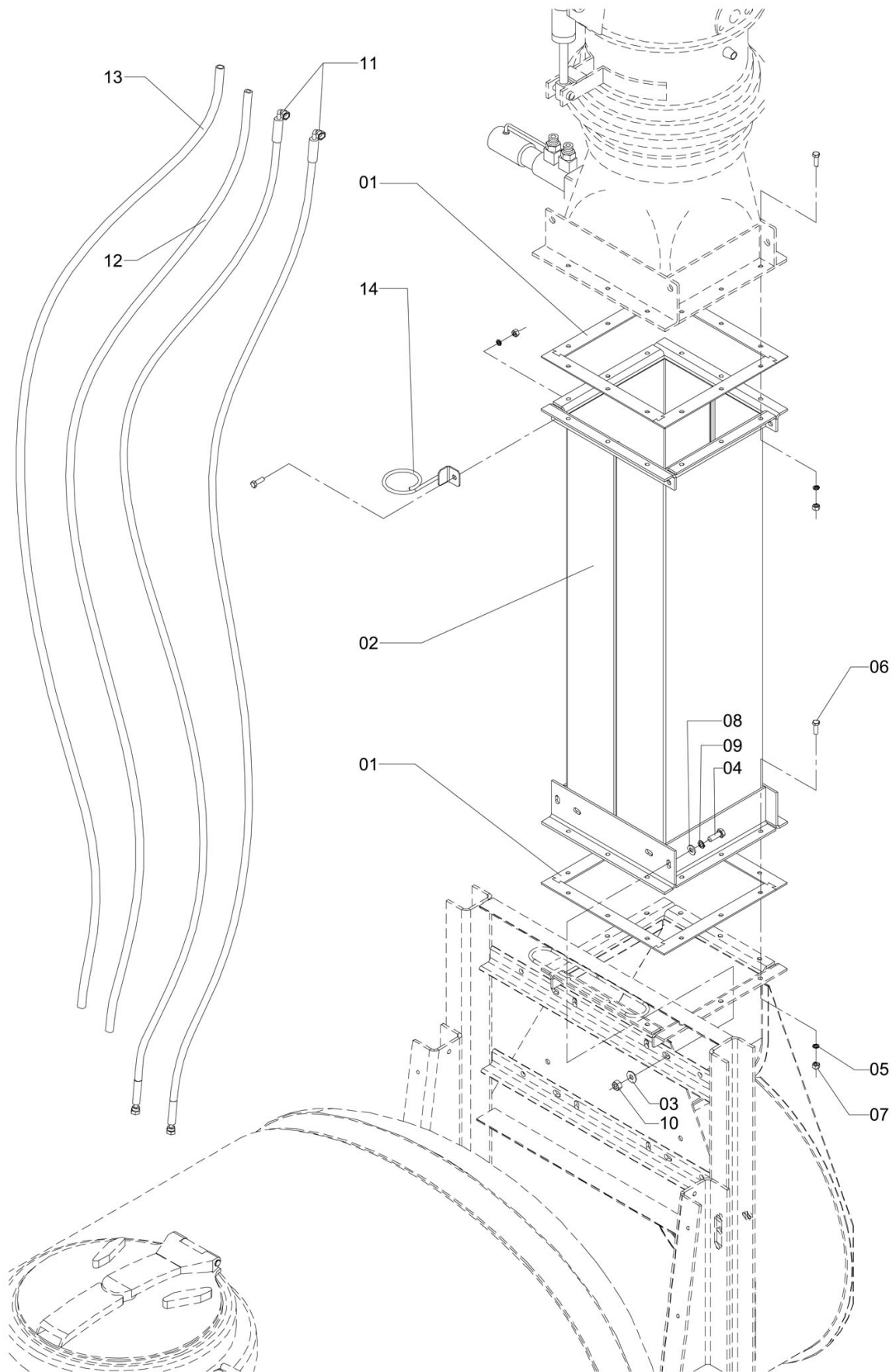
PROTECTION ASSEMBLY

Continuation

Item	CODE	DESCRIPTION	Qty.	Item	CODE	DESCRIPTION	Qty.
00	1198225	Protection assembly	1				
01	1196667	Lower protection	1				
02	1197784	Gasket - 170mm	2				
03	1196682	Rear protection	1				
04	1197962	Left side protection	1				
05	1197963	Right side protection	1				
06	413468	Flat washer - 6.8 x 18 x 1.2 - treated steel	6				
07	521666	Locking washer - 6 - steel	8				
08	448019	Hex bolt - M6 x 12	4				
09	829325	Flat washer - 82 x 300 x 30	6				
10	810705	Hex bolt - M-8 x 30 x 1.25	2				
11	678722	Nylon-insert lock nut - - M8 x 1.25	12				
12	1181356	Pump protection	1				
13	1181339	Front protection	1				
14	1176768	Side protection support	2				
15	1181334	Rear protection	1				
16	1181478	Side protection	1				
17	1181331	Pumo protection cover	1				
18	1198317	Transmission upper protection	1				
19	013433	Flat washer - 8.4 x 16 x 1.6 steel	10				
20	519736	Locking washer - 8	13				
21	829341	Hex bolt - M8 x 16 x 1.25	11				
22	829507	Hex head bolt - M6 x 1 x 16 - CL. 8.8	4				
23	1197961	Upper protection	1				
24	1180497	Protection gasket - 109mm	1				
25	733253	Flat washer - 8.2 X 25.4 X 1.5 - steel	20				
26	829374	Hex bolt - M8 x 20 x 1.25 - CL.8.8	6				
27	829382	Hex bolt - M8 x 25 x 1.25	6				

Controlled copy – Distribution and reproduction prohibited

EXTENSION ASSEMBLY



KIT-264

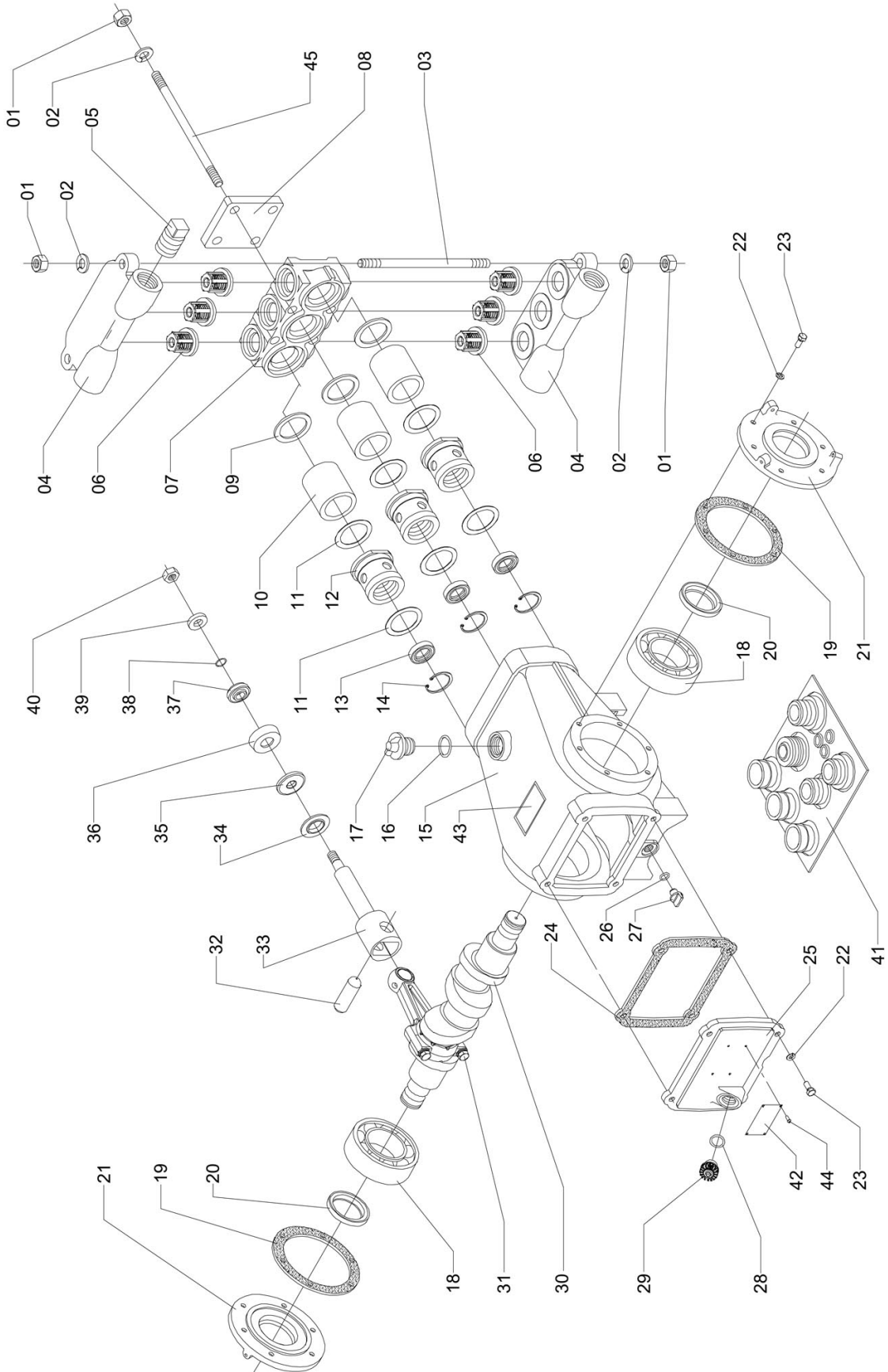
EXTENSION ASSEMBLY

Continuation

Item	CODE	DESCRIPTION	Qty.	Item	CODE	DESCRIPTION	Qty.
00	1198856	Extension assembly	1				
01	519702	Gasket - 32 x 325 x 3.20	8				
02	1197424	J2000 Extension	1				
03	422436	Flat washer - 104 x 254 x 30	2				
04	829515	Hex head bolt - M10 x 1.5 x 25 - CL. 8.8	2				
05	519736	Locking washer - 8	12				
06	829382	Hex bolt - M8 x 25 x 1.25	12				
07	810770	Hex nut - M8 x 1.25	12				
08	623884	Flat washer - 10.5 x 21 x 3 - stainless steel	2				
09	209395	Locking washer - M10 - steel	2				
10	209205	Hex nut - M10 x 1,50	2				
11	270264	Hose - MHMP - 04 1/4" x 8500	2				
12	1199013	Flexible hose - 3/8" x 6500	1				
13	436675	Flexible hose - 1/2" x 7330	1				
14	821629	Hose support	1				

Controlled copy – Distribution and reproduction prohibited

PISTON PUMP - 50L/MIN



B-170

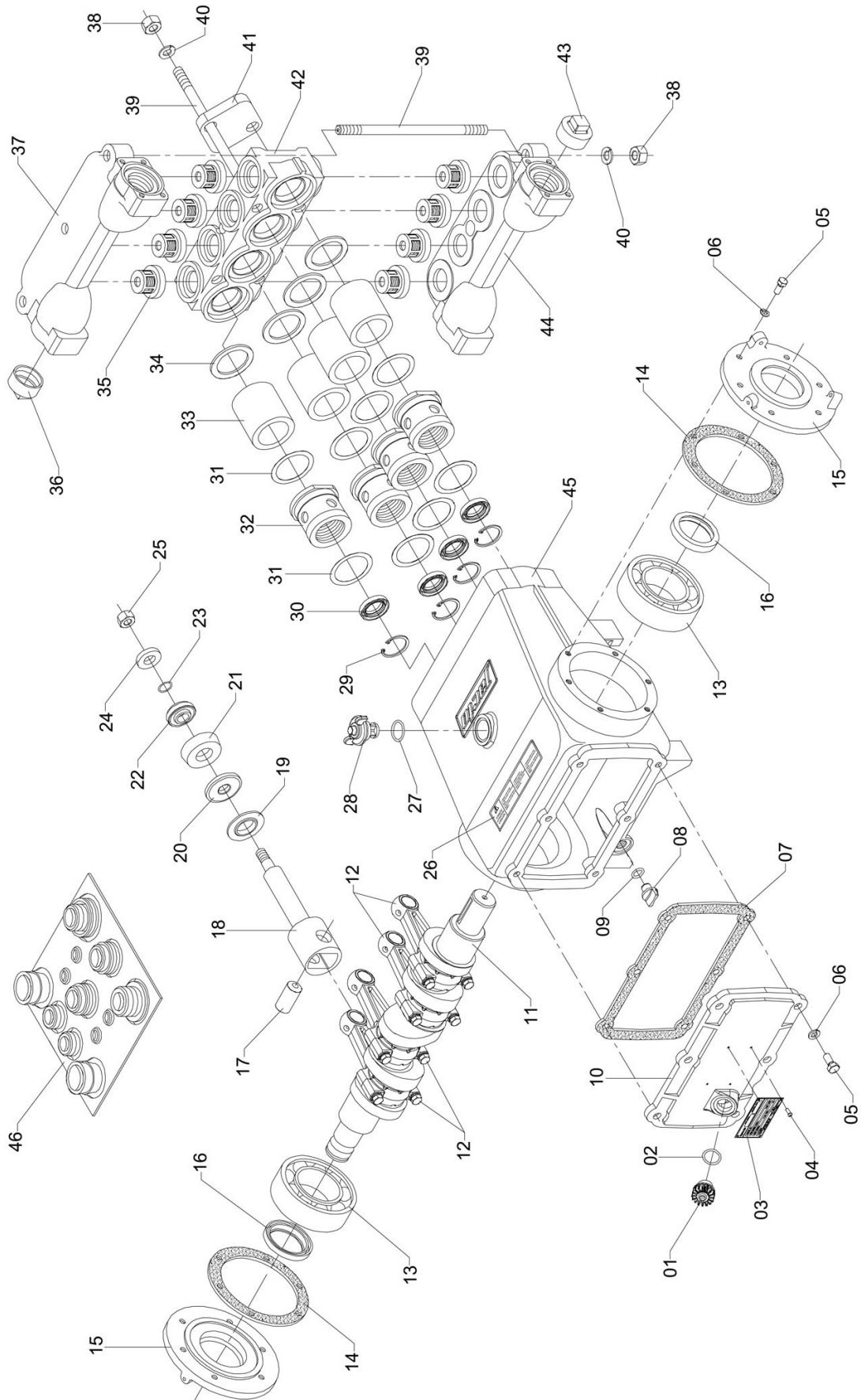
PISTON PUMP - 50L/MIN

Continuation

Item	CODE	DESCRIPTION	Qty.	Item	CODE	DESCRIPTION	Qty.
00	174805	Piston pump - 50L/min	1				
01	912790	Hex nut - 1/2" - 13 UNC	8				
02	908582	Locking washer - 1/2"	8				
03	130906	Stud bolt - 1/2"- 13 UNC x 200	2				
04	110304	Valve cover	2				
05	911305	Plug - 1" BSP	2				
06	261404	Valve for pump - 18	6				
06A	508333	Valve sealing	6				
07	110288	Pump head	1				
08	110320	Tightening plate	1				
09	912493	Seal JC 1/4" BSP	3				
10	423517	Ceramic sleeve	3				
11	912154	Gasket - 54 x 41.5 x 0.4	6				
12	911750	Sleeve guide - 35	3				
13	106922	Retainer - 22 x 35.2 x 7	3				
14	107524	Snap ring for hole - 36	3				
15	110247	Pump body	1				
16	012724	Sealing ring - OR1-119	1				
17	328542	Plug - 3/4" BSP	1				
18	107557	Bearing	2				
19	912147	Seal	2				
20	106930	Retainer	2				
21	228395	Bearing flange	2				
22	519736	Locking washer - 8	16				
23	663153	Bolt - 5/16" - 18 UNC x 3/4"	16				
24	110379	Gasket	1				
25	110338	Pump cover	1				
26	325290	Sealing ring - OR1-112	1				
27	520775	Drain plug - 1/4" BSP	1				
28	210146	Sealing ring - OR1-117	1				
29	213736	Plug - 1/2" BSP	1				
30	174813	Crankshaft - 376	1				
31	130401	Connecting rod assembly	3				
32	911677	Connecting rod shaft - 20 x 44.4	3				
33	012922	Rod guide	3				
34	211524	Scrapper ring	3				
35	911842	Piston	3				
36	211482	Piston	3				
37	211375	Piston	3				
38	901405	Sealing ring - ORI-014	3				
39	911867	Flat washer	3				
40	324178	Nut - 1/4"- 20 UNF - Stainless steel	3				
41	217133	Gasket /Seal Repair Kit	1				
42	1159487	Identification plate - "Engraved"	1				
43	959957	Sticker - Keep oil level	1				
44	109587	Round head rivet	4				
45	911974	Stud bolt - 1/2" - 13 UNC x 210	4				

Controlled copy – Distribution and reproduction prohibited

JP-100 PUMP



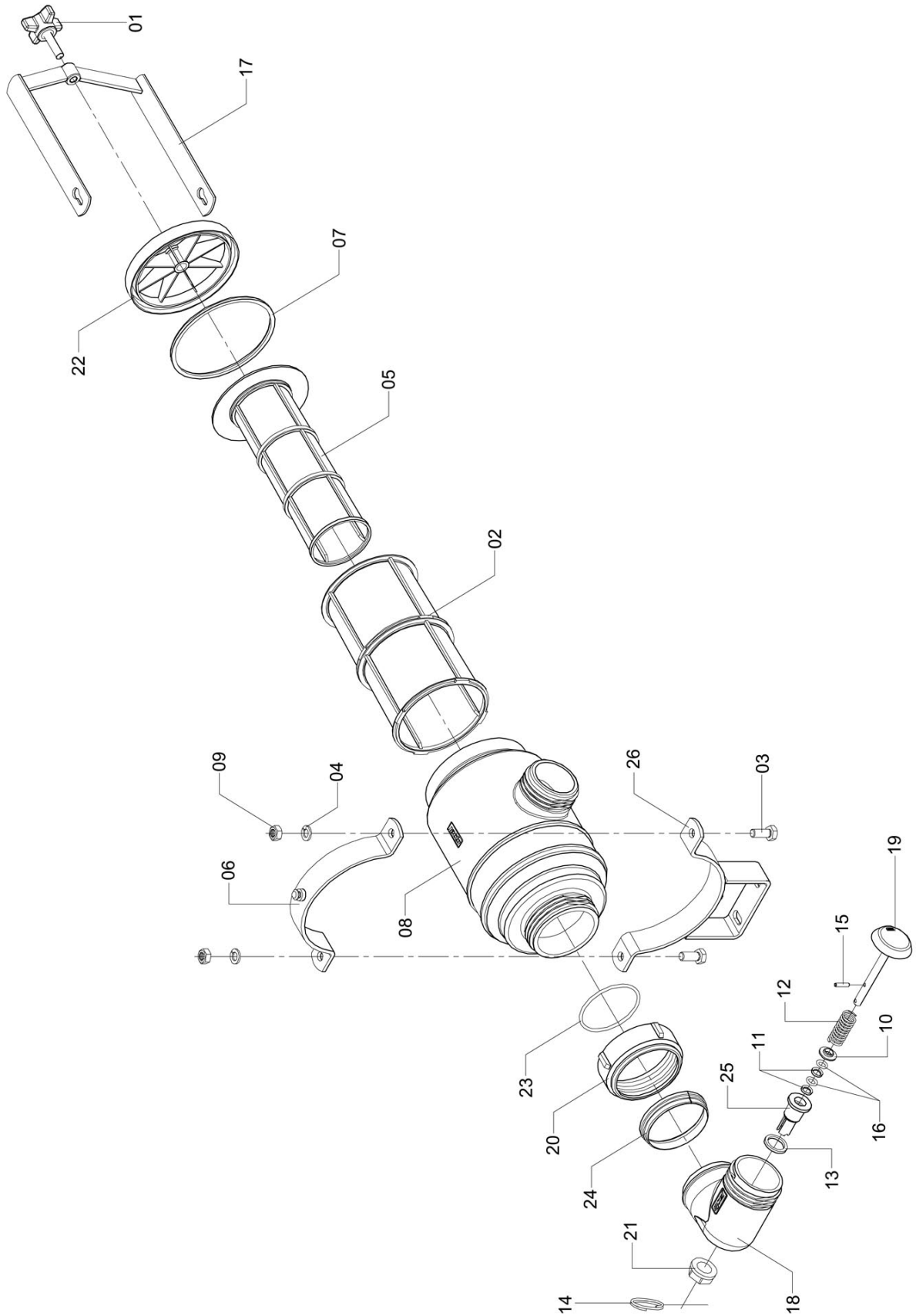
B-126

JP-100 PUMP

Continuation

Item	CODE	DESCRIPTION	Qty.	Item	CODE	DESCRIPTION	Qty.
00	281709	JP-100 pump	1				
01	213736	Plug - 1/2" BSP	1				
02	210146	Sealing ring - OR1-117	1				
03	220467	Identification plate	1				
04	109587	Round head rivet	4				
05	663153	Bolt - 5/16" - 18 UNC x 3/4"	18				
06	519736	Locking washer - 8	18				
07	911735	Gasket - 130 x 235 x 1.59	1				
08	520775	Drain plug - 1/4" BSP	1				
09	325290	Sealing ring - OR1-112	1				
10	911743	Pump cover	1				
11	281105	Crankshaft 430	1				
12	054536	Connecting rod assembly	4				
13	107557	Bearing	2				
14	912147	Seal	2				
15	228395	Bearing flange	2				
16	106930	Retainer	2				
17	911677	Connecting rod shaft - 20 x 44.4	4				
18	012922	Rod guide	4				
19	211524	Scrapper ring	4				
20	911842	Piston	4				
21	211482	Piston	4				
22	211375	Piston	4				
23	901405	Sealing ring - ORI-014	4				
24	911867	Flat washer	4				
25	324178	Nut - 1/4"- 20 UNF - Stainless steel	4				
26	959957	Sticker - Keep oil level	1				
27	012724	Sealing ring - OR1-119	1				
28	328542	Plug - 3/4" BSP	1				
29	107524	Snap ring for hole - 36	4				
30	106922	Retainer - 22 x 35.2 x 7	4				
31	912154	Gasket - 54 x 41.5 x 0.4	8				
32	911750	Sleeve guide - 35	4				
33	423517	Ceramic sleeve	4				
34	912493	Seal JC 1/4" BSP	4				
35	261404	Valve for pump - 18	8				
36	911305	Plug - 1" BSP	1				
37	729111	Valve cover - 1"	1				
38	912790	Hex nut - 1/2" - 13 UNC	6				
39	911974	Stud bolt - 1/2" - 13 UNC x 210	7				
40	908582	Locking washer - 1/2"	6				
41	911883	Tightening plate	2				
42	911834	Pump head	1				
43	208363	Plug - 1.1/4" BSP	1				
44	911966	Valve cover - 1.1/4" BSP	1				
45	911594	Pump body	1				
46	108126	Seal kit	1				

SUCTION FILTER WITH VALVE FOR 200 LITERS



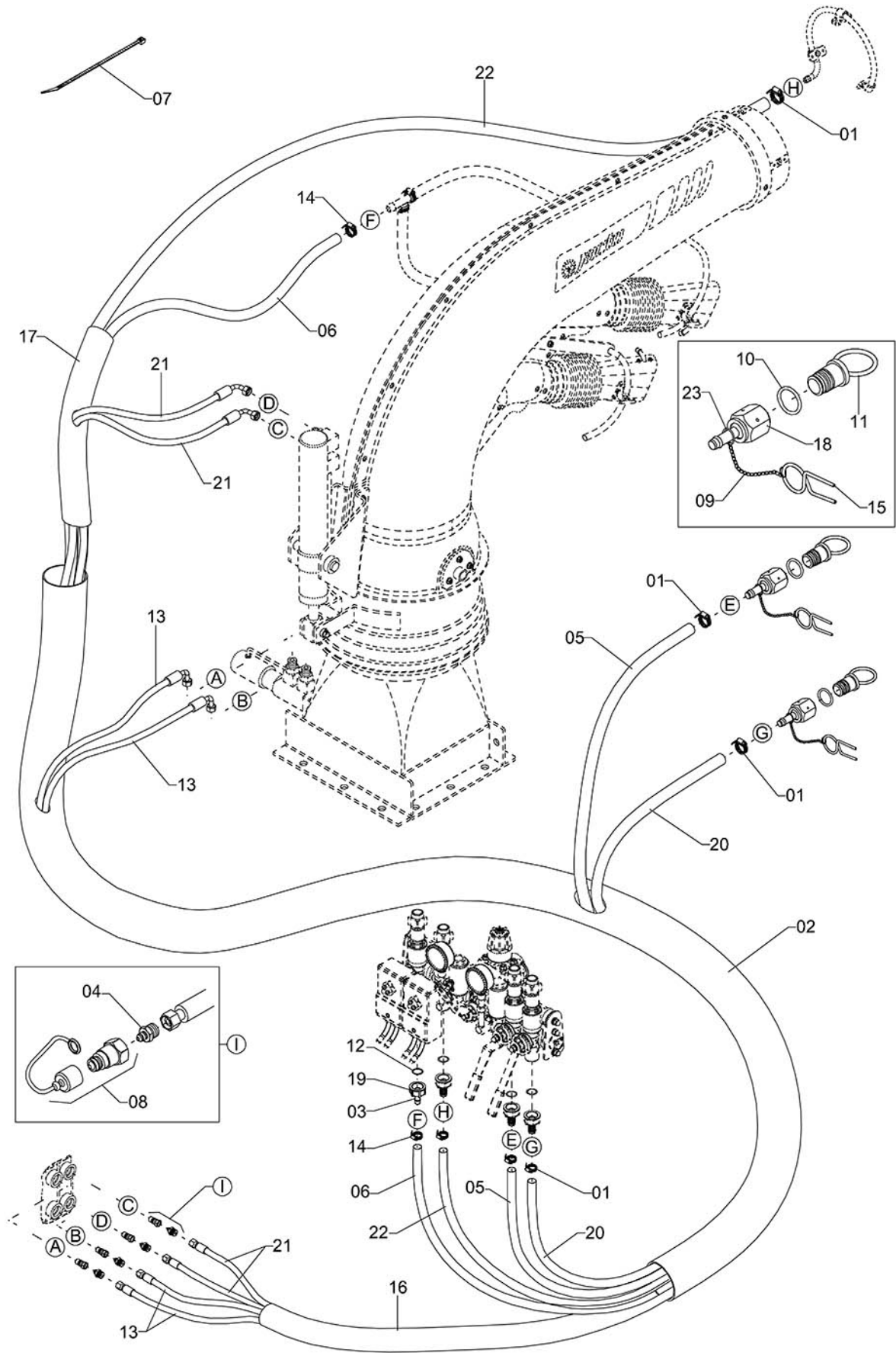
F-85

SUCTION FILTER WITH VALVE FOR 200 LITERS

Continuation

Item	CODE	DESCRIPTION	Qty.	Item	CODE	DESCRIPTION	Qty.
00	671610	Suction filter with valve for 200 liters	1				
01	011734	Knobbed screw	1				
02	817346	Double filtering element 430 - mesh 40	1				
03	168070	Hex bolt - M 10 x 25 x 1.25	2				
04	209395	Locking washer - M10 - steel	2				
05	817353	Triple filtering element 820 with flange - mesh 24	1				
06	817379	Suction filter half-strap	1				
07	472597	Sealing ring - 136	1				
08	941336	Suction filter body	1				
09	907030	Nut - M10 x 1.25	2				
10	005967	Spring seat	1				
11	005975	Washer	2				
12	006148	Compression spring - Stainless steel	1				
13	010827	Sealing ring - 29 x 22 x 3	1				
14	012146	Ring - 40	1				
15	105288	Heavy elastic pin - 4 x 20	1				
16	416669	Sealing ring - OR1-110	2				
17	817403	Handle	1				
18	534420	Valve body	1				
19	534438	Valve	1				
20	534453	Locknut - Plastic thread	1				
21	537423	Nut - 1/2" BSP	1				
22	817395	Cover with seat	1				
23	592709	Sealing ring - OR1-233	1				
24	593673	Retaining ring	1				
25	615021	Valve guide	1				
26	732115	Half-strap with support	1				

HOSE ASSEMBLY - J2000



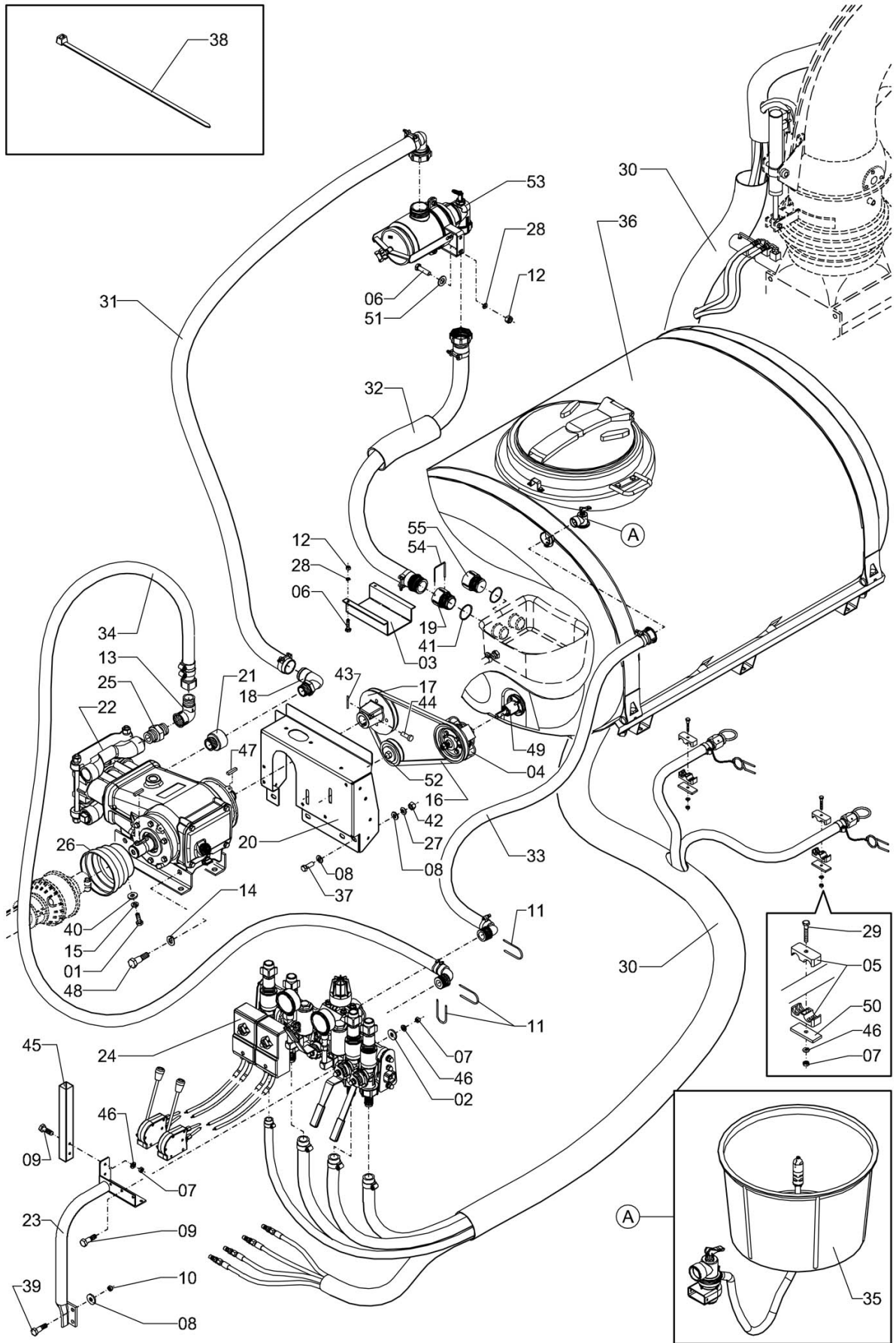
MD-040

HOSE ASSEMBLY - J2000

Continuation

Item	CODE	DESCRIPTION	Qty.	Item	CODE	DESCRIPTION	Qty.
00	265231	Hose assembly - J2000	1				
01	107664	Clamp D14-22 - stainless steel	6				
02	262733	Protection hose - 3" x 2000	1				
03	262741	Hose fitting 3/8" with flange	1				
04	262766	Nipple - 1/2" - 20 UNF x 1/2" NPT	4				
05	267070	Hose - 1/2" x 3000	1				
06	267088	Hose - 3/8" x 5300	1				
07	323584	Cable tie - Insulok	2				
08	355289	Male quick fitting with plug - 1/2" NPT	4				
09	437822	Nickel plated chain -120 mm	2				
10	440982	Sealing ring - OR1-117	2				
11	489617	Quick fitting - plug	2				
12	110494	Sealing ring - OR1-116	1				
13	062521	Hose - MHMP - 04 - 1/4"	2				
14	063370	Clamp - D11-16 - stainless steel	2				
15	636399	Quick fitting clamping piece	2				
16	074401	Protection hose - 50 x 2200	1				
17	801167	Protection hose - 2" x 400	1				
18	086447	Quick Fitting - 1/2"	2				
19	867044	Nut for branch outlet	1				
20	111559	Hose - 1/2" x 3550	1				
21	176685	Hose - MHMP - 04 1/4" x 6900	2				
22	242818	Hose - 1/2" x 6300	1				
23	622969	Double ring	2				

CHEMICAL CIRCUIT (JP-50 / 4-WAY MASTERFLOW)



CD-1166

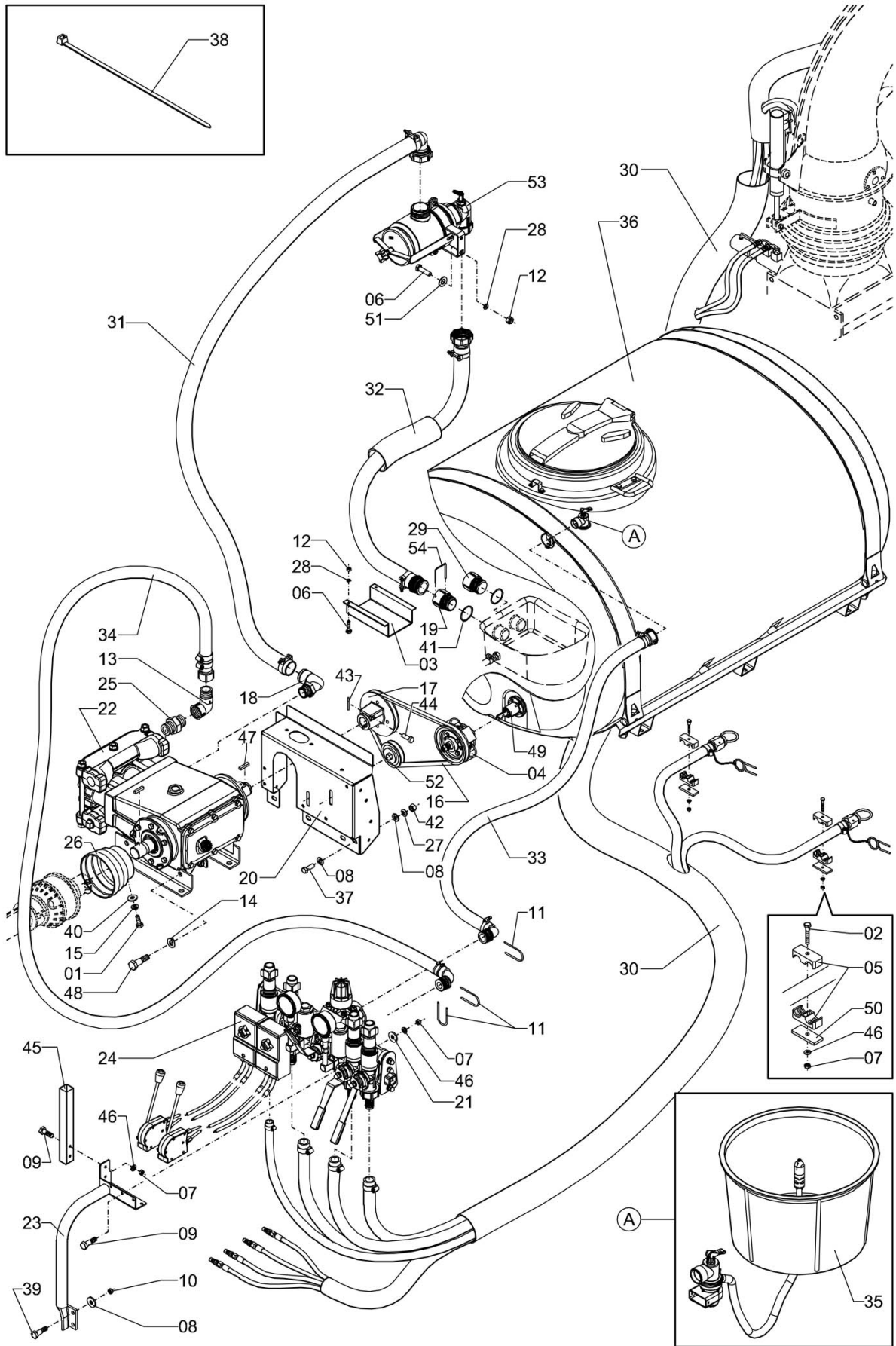
CHEMICAL CIRCUIT (JP-50 / 4-WAY MASTERFLOW)

Continuation

Item	CODE	DESCRIPTION	Qty.	Item	CODE	DESCRIPTION	Qty.
00	174664	Chemical circuit (JP-50 / 4-way Masterflow)	1				
01	007229	Bolt - 1/4"- 20 UNC x 3/4"	3				
02	881276	Flat washer - 8.7 x 20 x 1.2 - steel	2				
03	724195	Protector	1				
04	727925	Flexible coupling 9	1				
05	732040	Clamp for tube 19"	4				
06	757559	Hex bolt - M10 x 30 x 1.25	2				
07	810770	Hex nut - M8 x 1.25	2				
08	818112	Flat washer - 13 x 24 x 3 - steel	8				
09	829382	Hex bolt - M8 x 25 x 1.25	4				
10	173245	Nylon-insert lock nut - - M12 x 1.25	2				
11	868372	Nozzle U-clamp	3				
12	907030	Nut - M10 x 1.25	2				
13	908426	Male/female elbow - 1" BSP	1				
14	908582	Locking washer - 1/2"	4				
15	910117	Locking washer - 1/4"	3				
16	916106	V-belt - A-35	1				
17	174714	Flange with pulley	1				
18	969386	Hose fitting - 2" x 1.1/4" BSP T 90	1				
19	991703	Tank sump fitting	1				
20	1181432	Transmission protection	1				
21	174748	Male/female connector 1" x 1.1/4"	1				
22	174805	Piston pump - 50L/min	1				
23	174920	Control support	1				
24	278283	Masterflow control 2000 - 2 cables - J2000	1				
25	202861	Double nipple - 1" BSP - 11 F.P.P.	1				
26	118224	Cross piece guard	1				
27	209163	Locking washer - M12	3				
28	209395	Locking washer - M10 - steel	3				
29	520726	Hex bolt - M8 x 60 x 1.25	2				
30	265231	Hose assembly - J2000	1				
31	265249	Hose - Filter / Jump	1				
32	265256	Hose - Filter / Tank	1				
33	265264	Hose - Rinse nozzle / Control	1				
34	265272	Hose - Control / Pump	1				
35	134239	Chemical container cleaning nozzle	1				
36	270223	2,000-liter tank	1				
37	280925	Hex bolt - M12 x 35 x 1.50	3				
38	323584	Cable tie - Insulok	5				
39	275396	Hex bolt - M12 x 50 x 1.50 - CL. 8.8	2				
40	413468	Flat washer - 6.8 x 18 x 1.2 - treated steel	3				
41	417717	Sealing ring - OR1-227	2				
42	427013	Hex nut - M12 x 1.5 - CL. 8	3				
43	427294	Cotter pin - 3.97 x 25.4	1				
44	435487	Pin - 12 x 55	1				
45	470658	Actuator base fastening	1				
46	519736	Locking washer - 8	2				
47	519793	Square key - 9.53 (3/8") x 45	2				
48	520205	Bolt - 1/2"- 13 UNC x 1.1/4"- 5 degree	4				
49	543348	Mechanical agitator - 2005 - 02	1				
50	618405	Clamp plate - 25 x 57	2				
51	623884	Flat washer - 10.5 x 21 x 3 - stainless steel	1				
52	645416	Tightening pulley - 78-1A (Shaft 15 x 50.5)	3				
53	671610	Suction filter with valve for 200 liters	1				
54	970103	Lock - 56	1				
55	969394	Plastic threaded fitting	1				

Controlled copy – Distribution and reproduction prohibited

CHEMICAL CIRCUIT



CD-1167

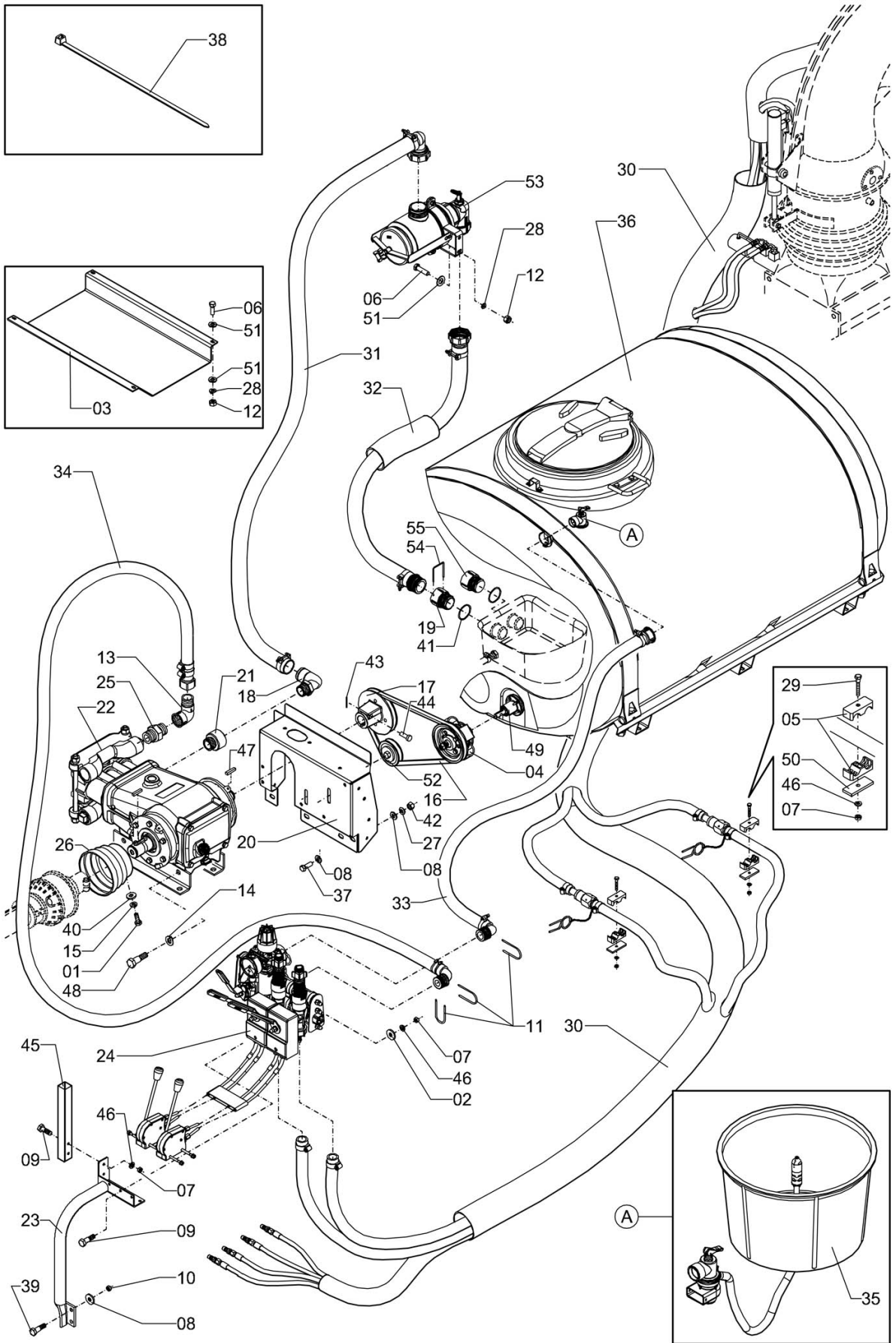
CHEMICAL CIRCUIT

Continuation

Item	CODE	DESCRIPTION	Qty.	Item	CODE	DESCRIPTION	Qty.
00	279687	Chemical circuit	1				
01	007229	Bolt - 1/4"- 20 UNC x 3/4"	3				
02	520726	Hex bolt - M8 x 60 x 1.25	2				
03	724195	Protector	1				
04	727925	Flexible coupling 9	1				
05	732040	Clamp for tube - 19"	4				
06	757559	Hex bolt - M10 x 30 x 1.25	2				
07	810770	Hex nut - M8 x 1.25	2				
08	818112	Flat washer - 13 x 24 x 3 - steel	8				
09	829382	Hex bolt - M8 x 25 x 1.25	4				
10	173245	Nylon-insert lock nut - - M12 x 1.25	2				
11	868372	Nozzle U-clamp	3				
12	907030	Nut - M10 x 1.25	2				
13	908426	Male/female elbow - 1" BSP	1				
14	908582	Locking washer - 1/2"	4				
15	910117	Locking washer - 1/4"	3				
16	916106	V-belt - A-35	1				
17	174714	Flange with pulley	1				
18	969386	Hose fitting - 2" x 1.1/4" BSP T 90	1				
19	991703	Tank sump fitting	1				
20	1181432	Transmission protection	1				
21	881276	Flat washer - 8.7 x 20 x 1.2 - steel	2				
22	281709	JP-100 pump	1				
23	174920	Control support	1				
24	278283	Masterflow control 2000 - 2 cables - J2000	1				
25	202861	Double nipple - 1" BSP - 11 F.P.P.	1				
26	118224	Cross piece guard	1				
27	209163	Locking washer - M12	3				
28	209395	Locking washer - M10 - steel	3				
29	969394	Plastic threaded fitting	1				
30	265231	Hose assembly - J2000	1				
31	265249	Hose - Filter / Jump	1				
32	265256	Hose - Filter / Tank	1				
33	265264	Hose - Rinse nozzle / Control	1				
34	265272	Hose - Control / Pump	1				
35	134239	Chemical container cleaning nozzle	1				
36	270223	2,000-liter tank	1				
37	280925	Hex bolt - M12 x 35 x 1.50	3				
38	323584	Cable tie - Insulok	5				
39	275396	Hex bolt - M12 x 50 x 1.50 - CL. 8.8	2				
40	413468	Flat washer - 6.8 x 18 x 1.2 - treated steel	3				
41	417717	Sealing ring - OR1-227	2				
42	427013	Hex nut - M12 x 1.5 - CL. 8	3				
43	427294	Cotter pin - 3.97 x 25.4	1				
44	435487	Pin - 12 x 55	1				
45	470658	Actuator base fastening	1				
46	519736	Locking washer - 8	2				
47	519793	Square key - 9.53 (3/8") x 45	2				
48	520205	Bolt - 1/2"- 13 UNC x 1.1/4"- 5 degree	4				
49	543348	Mechanical agitator - 2005 - 02	1				
50	618405	Clamp plate - 25 x 57	2				
51	623884	Flat washer - 10.5 x 21 x 3 - stainless steel	1				
52	645416	Tightening pulley - 78-1A (Shaft 15 x 50.5)	3				
53	671610	Suction filter with valve for 200 liters	1				
54	970103	Lock - 56	1				

Controlled copy – Distribution and reproduction prohibited

CHEMICAL CIRCUIT (JP-50 / 2-WAY MASTERFLOW)



CD-1169

CHEMICAL CIRCUIT (JP-50 / 2-WAY MASTERFLOW)

Continuation

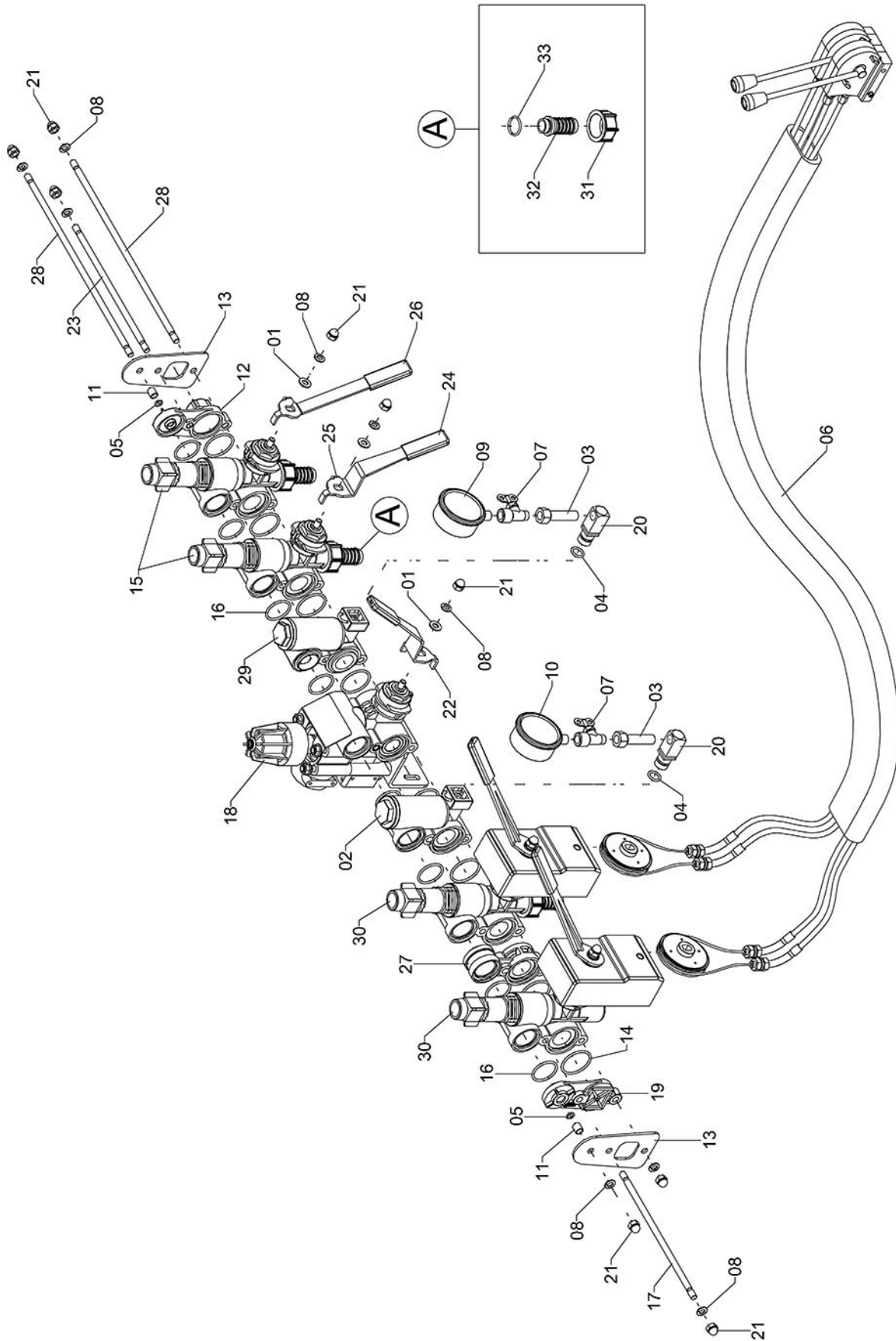
Item	CODE	DESCRIPTION	Qty.	Item	CODE	DESCRIPTION	Qty.
00	1223403	Chemical circuit (JP-50 / 2-way Masterflow)	1				
01	007229	Bolt - 1/4"- 20 UNC x 3/4"	3				
02	881276	Flat washer - 8.7 x 20 x 1.2 - steel	2				
03	724211	Crankcase protection	1				
04	727925	Flexible coupling 9	1				
05	732040	Clamp for tube 19"	4				
06	757559	Hex bolt - M10 x 30 x 1.25	6				
07	810770	Hex nut - M8 x 1.25	8				
08	818112	Flat washer - 13 x 24 x 3 - steel	8				
09	829382	Hex bolt - M8 x 25 x 1.25	6				
10	173245	Nylon-insert lock nut - - M12 x 1.25	2				
11	868372	Nozzle U-clamp	3				
12	907030	Nut - M10 x 1.25	6				
13	908426	Male/female elbow - 1" BSP	1				
14	908582	Locking washer - 1/2"	4				
15	910117	Locking washer - 1/4"	3				
16	916106	V-belt - A-35	1				
17	174714	Flange with pulley	1				
18	969386	Hose fitting - 2" x 1.1/4" BSP T 90	1				
19	991703	Tank sump fitting	1				
20	1181432	Transmission protection	1				
21	174748	Male/female connector 1" x 1.1/4"	1				
22	174805	Piston pump - 50L/min	1				
23	174920	Control support	1				
24	1223361	Masterflow control / cable - 2 ways	1				
25	202861	Double nipple - 1" BSP - 11 F.P.P.	1				
26	118224	Cross piece guard	1				
27	209163	Locking washer - M12	3				
28	209395	Locking washer - M10 - steel	6				
29	520726	Hex bolt - M8 x 60 x 1.25	2				
31	265249	Hose - Filter / Jump	1				
32	265256	Hose - Filter / Tank	1				
33	265264	Hose - Rinse nozzle / Control	1				
34	265272	Hose - Control / Pump	1				
35	134239	Chemical container cleaning nozzle	1				
36	270223	2,000-liter tank	1				
37	280925	Hex bolt - M12 x 35 x 1.50	3				
38	323584	Cable tie - Insulok	5				
39	275396	Hex bolt - M12 x 50 x 1.50 - CL. 8.8	2				
40	413468	Flat washer - 6.8 x 18 x 1.2 - treated steel	3				
41	417717	Sealing ring - OR1-227	2				
42	427013	Hex nut - M12 x 1.5 - CL. 8	3				
43	427294	Cotter pin - 3.97 x 25.4	1				
44	435487	Pin - 12 x 55	1				
45	470658	Actuator base fastening	1				
46	519736	Locking washer - 8	8				
47	519793	Square key - 9.53 (3/8") x 45	2				
48	520205	Bolt - 1/2"- 13 UNC x 1.1/4"- 5 degree	4				
49	543348	Mechanical agitator - 2005 - 02	1				
50	618405	Clamp plate - 25 x 57	2				
51	623884	Flat washer - 10.5 x 21 x 3 - stainless steel	9				
52	645416	Tightening pulley - 78-1A (Shaft 15 x 50.5)	3				
53	671610	Suction filter with valve for 200 liters	1				
54	970103	Lock - 56	1				
55	969394	Plastic threaded fitting	1				

CHEMICAL CIRCUIT (JP-100 / 2-WAY MASTERFLOW)

Continuation

Item	CODE	DESCRIPTION	Qty.	Item	CODE	DESCRIPTION	Qty.
00	1223406	Chemical circuit (JP-100 / 2-way Masterflow)	1				
01	007229	Bolt - 1/4"- 20 UNC x 3/4"	3				
02	881276	Flat washer - 8.7 x 20 x 1.2 - steel	2				
03	724211	Crankcase protection	1				
04	727925	Flexible coupling 9	1				
05	732040	Clamp for tube 19"	4				
06	757559	Hex bolt - M10 x 30 x 1.25	6				
07	810770	Hex nut - M8 x 1.25	8				
08	818112	Flat washer - 13 x 24 x 3 - steel	8				
09	829382	Hex bolt - M8 x 25 x 1.25	6				
10	173245	Nylon-insert lock nut - - M12 x 1.25	2				
11	868372	Nozzle U-clamp	3				
12	907030	Nut - M10 x 1.25	6				
13	908426	Male/female elbow - 1" BSP	1				
14	908582	Locking washer - 1/2"	4				
15	910117	Locking washer - 1/4"	3				
16	916106	V-belt - A-35	1				
17	174714	Flange with pulley	1				
18	969386	Hose fitting - 2" x 1.1/4" BSP T 90	1				
19	991703	Tank sump fitting	1				
20	1181432	Transmission protection	1				
21	969394	Plastic threaded fitting	1				
22	281709	JP-100 pump	1				
23	174920	Control support	1				
24	1223361	Masterflow control / cable - 2 ways	1				
25	202861	Double nipple - 1" BSP - 11 F.P.P.	1				
26	118224	Cross piece guard	1				
27	209163	Locking washer - M12	3				
28	209395	Locking washer - M10 - steel	6				
29	520726	Hex bolt - M8 x 60 x 1.25	2				
31	265249	Hose - Filter / Jump	1				
32	265256	Hose - Filter / Tank	1				
33	265264	Hose - Rinse nozzle / Control	1				
34	265272	Hose - Control / Pump	1				
35	134239	Chemical container cleaning nozzle	1				
36	270223	2,000-liter tank	1				
37	280925	Hex bolt - M12 x 35 x 1.50	3				
38	323584	Cable tie - Insulok	5				
39	275396	Hex bolt - M12 x 50 x 1.50 - CL. 8.8	2				
40	413468	Flat washer - 6.8 x 18 x 1.2 - treated steel	3				
41	417717	Sealing ring - OR1-227	2				
42	427013	Hex nut - M12 x 1.5 - CL. 8	3				
43	427294	Cotter pin - 3.97 x 25.4	1				
44	435487	Pin - 12 x 55	1				
45	470658	Actuator base fastening	1				
46	519736	Locking washer - 8	8				
47	519793	Square key - 9.53 (3/8") x 45	2				
48	520205	Bolt - 1/2"- 13 UNC x 1.1/4"- 5 degree	4				
49	543348	Mechanical agitator - 2005 - 02	1				
50	618405	Clamp plate - 25 x 57	2				
51	623884	Flat washer - 10.5 x 21 x 3 - stainless steel	9				
52	645416	Tightening pulley - 78-1A (Shaft 15 x 50.5)	3				
53	671610	Suction filter with valve for 200 liters	1				
54	970103	Lock - 56	1				

MASTERFLOW CONTROL 2000 - 2X2 LEVER AND CABLE



CV-638

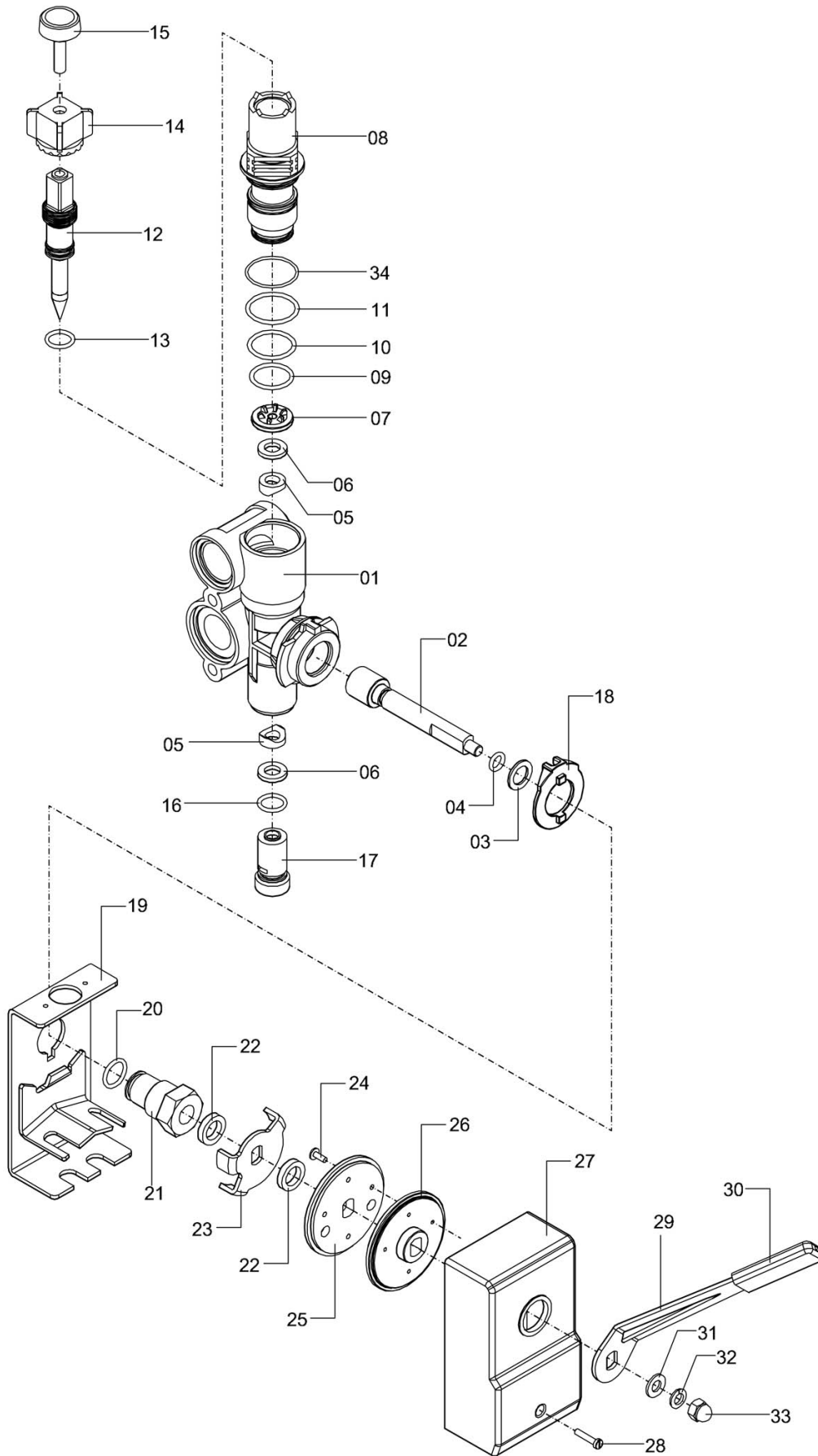
MASTERFLOW CONTROL 2000 - 2X2 LEVER AND CABLE

Continuation

Item	CODE	DESCRIPTION	Qty.	Item	CODE	DESCRIPTION	Qty.
00	195453	Masterflow Control 2000 - 2x2 Lever and cable	1				
01	013433	Flat washer - 8.4 x 16 x 1.6 steel	3				
02	195586	Safety valve	1				
03	220699	Pressure gauge extension	2				
04	244459	Sealing ring - OR1-113	2				
05	322040	Sealing ring - ORI-011	2				
06	036128	Cable actuation box	2				
07	507319	Needle valve for pressure gauge	2				
08	519736	Locking washer - 8	9				
09	551945	Glycerin- filled pressure gauge - 40 kgf/cm	1				
10	556092	Glycerin- filled pressure gauge - 0 to 16 KGF/cm	1				
11	055764	Bushing	2				
12	866004	Right cover	1				
13	057349	Support	2				
14	648170	Sealing ring - OR1-128	9				
15	071233	Right nozzle branch	2				
16	731521	Sealing ring - OR1-124	9				
17	168245	Stud bolt - M8 x 232 x 1.25 - Stainless steel	1				
18	195438	Quick relief assembly	1				
19	866012	Left cover	1				
20	868638	Pressure gauge support pin	2				
21	945832	Blind hex nut - M8 x 1.0	9				
22	945956	Left lever - 60°	1				
23	165407	Stud bolt - M8 x 208 x 1.25 - Stainless steel	1				
24	945964	Control lever handle	3				
25	945972	Right lever - 60°	1				
26	945980	Right lever - 30°	1				
27	976761	Small spacer	1				
28	985119	Stud bolt - M8 x 507 x 1.25	2				
29	998138	Safety valve	1				
30	999540	Nozzle branch assembly - cable with sensor	2				
31	867044	Nut for branch outlet	3				
32	867085	Fitting - 1/2" with flange 23.6	3				
33	322057	Sealing ring - OR1-114	3				

Controlled copy – Distribution and reproduction prohibited

NOZZLE BRANCH ASSEMBLY - CABLE WITH SENSOR



CV-477

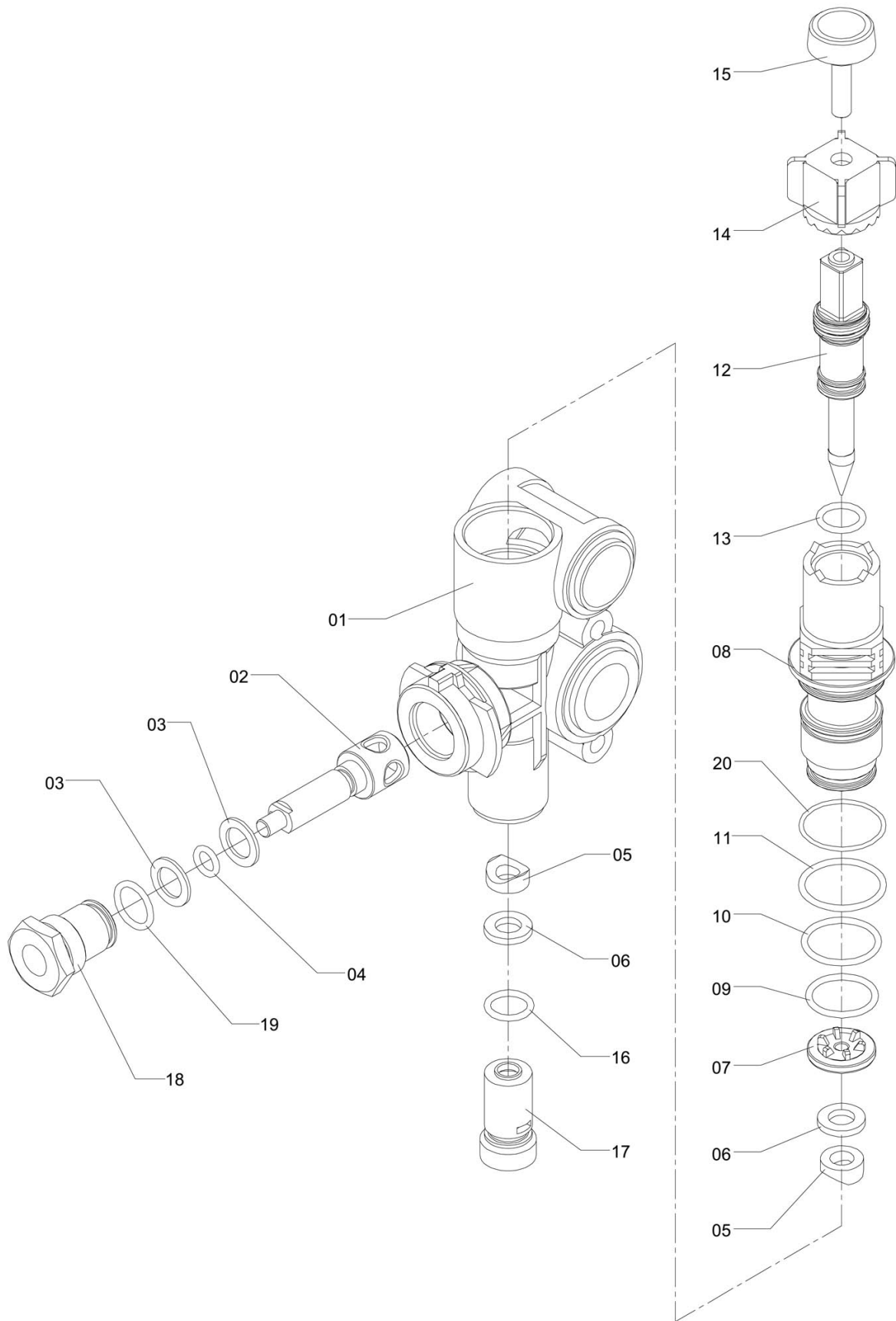
NOZZLE BRANCH ASSEMBLY - CABLE WITH SENSOR

Continuation

Item	CODE	DESCRIPTION	Qty.	Item	CODE	DESCRIPTION	Qty.
00	999540	Nozzle branch assembly - cable with sensor	1				
01	180414	Branch body	1				
02	879916	Cable actuation branch core	1				
03	414748	Sealing washer	1				
04	955617	Sealing ring - OR2-110	1				
05	414763	Sealing ring seat - 28 x 8	2				
06	414771	Sealing ring - 20 x 11 x 3.0	2				
07	860098	Insert	1				
08	944876	Fastener	1				
09	106955	Sealing ring - OR1-120	1				
10	011668	O-ring OR1-122	1				
11	731521	Sealing ring - OR1-124	1				
12	944892	Needle assembly	1				
13	706796	Sealing ring - OR1-114	1				
14	944900	Grip	1				
15	945998	Plastic head bolt - M8 x 30 x 1.25	1				
16	322057	Sealing ring - OR1-114	1				
17	860064	Outlet nipple bushing	1				
18	879858	Box positioning washer	1				
19	973370	Box support	1				
20	832857	Sealing ring - OR1-115	1				
21	879833	Cable-control seat	1				
22	984989	Spacer bushing	2				
23	985671	Sensor contact disk	1				
24	997213	Flange head screw 3.5 x 10	4				
25	966184	Left sheave	1				
26	966192	Right sheave	1				
27	879973	Cable-operated box	1				
28	071894	Cylindrical bolt - M4 x 20 x 07	1				
29	879965	Cable control lever	1				
30	945964	Control lever handle	1				
31	013433	Flat washer - 8.4 x 16 x 1.6 steel	1				
32	519736	Locking washer - 8	1				
33	945832	Blind hex nut - M8 x 1.0	1				
34	737718	Sealing ring - OR1-027	1				

Controlled copy – Distribution and reproduction prohibited

RIGHT NOZZLE BRANCH



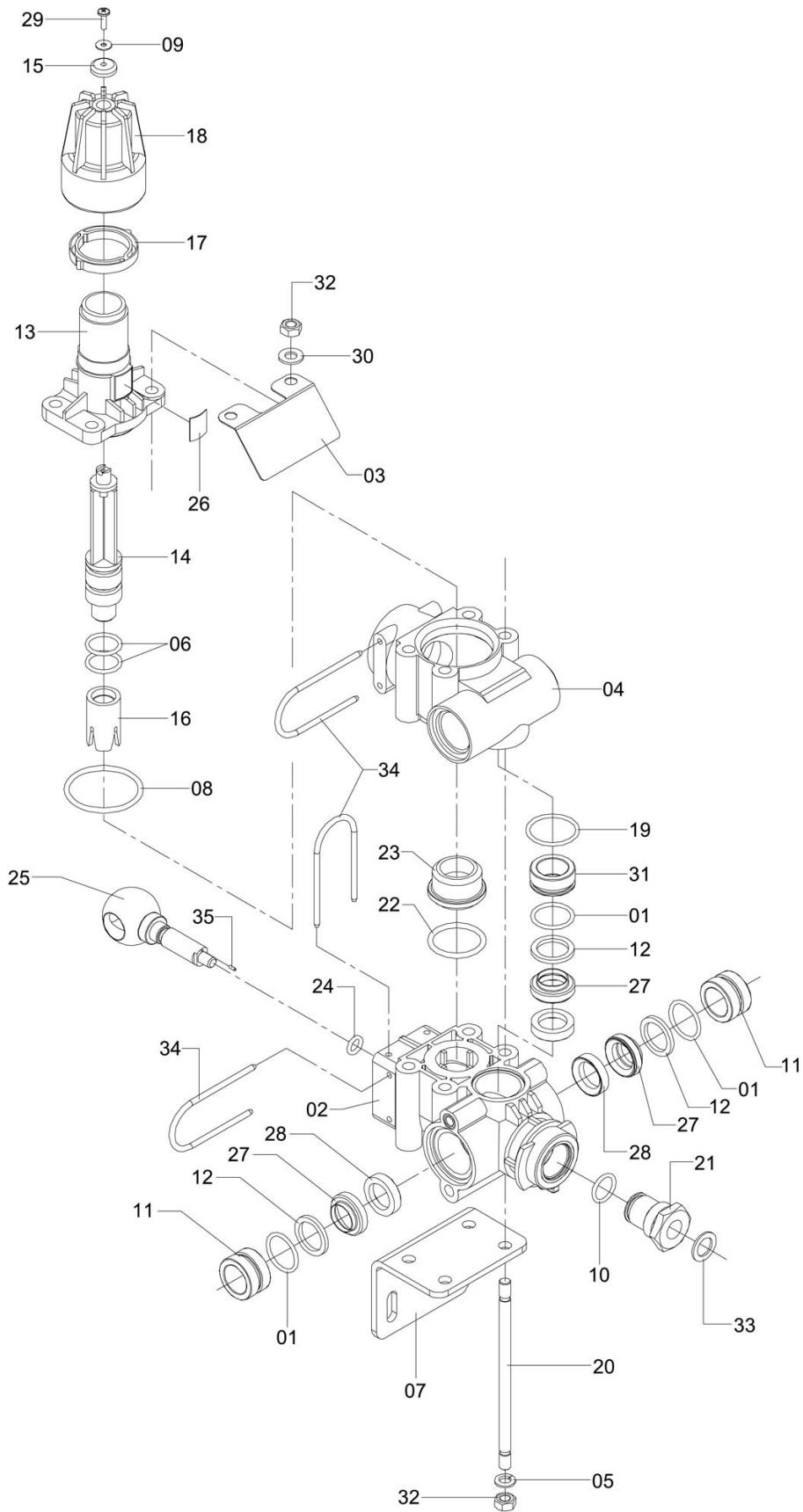
CV-354

RIGHT NOZZLE BRANCH

Continuation

Item	CODE	DESCRIPTION	Qty.	Item	CODE	DESCRIPTION	Qty.
00	071233	Right nozzle branch	1				
01	180414	Branch body	1				
02	946061	Right core	1				
03	414748	Sealing washer	2				
04	955617	Sealing ring - OR2-110	1				
05	414763	Sealing ring seat - 28 x 8	2				
06	414771	Sealing ring - 20 x 11 x 3.0	2				
07	860098	Insert	1				
08	944876	Fastener	1				
09	106955	Sealing ring - OR1-120	1				
10	011668	O-ring OR1-122	1				
11	731521	Sealing ring - OR1-124	1				
12	944892	Needle assembly	1				
13	706796	Sealing ring - OR1-114	1				
14	944900	Grip	1				
15	945998	Plastic head bolt - M8 x 30 x 1.25	1				
16	322057	Sealing ring - OR1-114	1				
17	860064	Outlet nipple bushing	1				
18	946079	Core seat	1				
19	832857	Sealing ring - OR1-115	1				
20	737718	Sealing ring - OR1-027	1				

QUICK RELIEF ASSEMBLY



CV-599

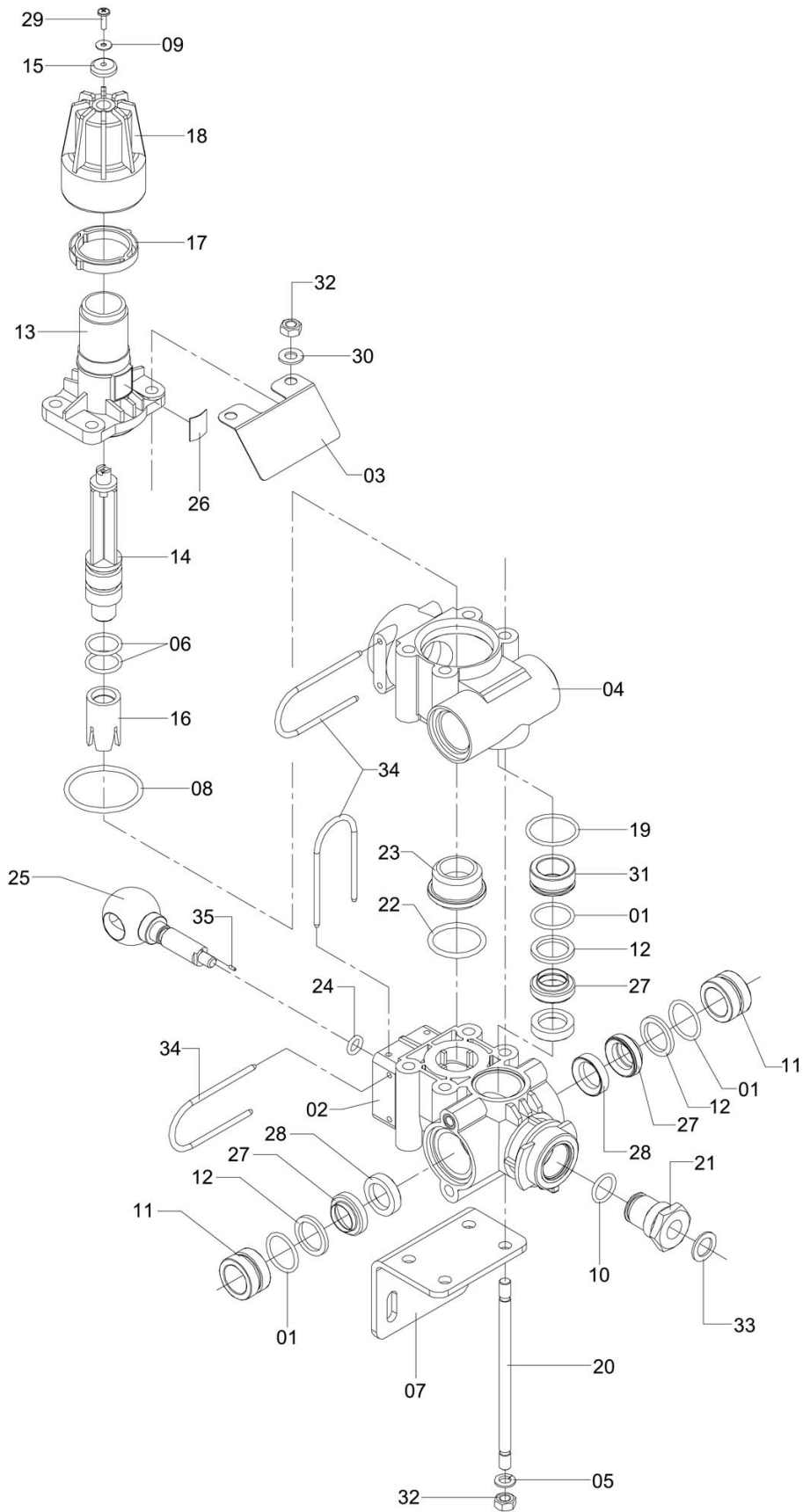
Controlled copy – Distribution and reproduction prohibited

QUICK RELIEF ASSEMBLY

Continuation

Item	CODE	DESCRIPTION	Qty.	Item	CODE	DESCRIPTION	Qty.
00	195438	Quick relief assembly	1				
01	106955	Sealing ring - OR1-120	3				
02	165811	Body base	1				
03	044040	Identification plate	1				
04	049494	Quick relief body	1				
05	519736	Locking washer - 8	4				
06	531806	Sealing ring - OR1-117	2				
07	057356	Fastening support	1				
08	735282	Sealing ring - OR2-225	1				
09	762088	Flat washer - 37 x 110 x 8	1				
10	832857	Sealing ring - OR1-115	1				
11	860080	Quick relief seat bushing	2				
12	010827	Sealing ring - 29 x 22 x 3	3				
13	861468	Pressure regulator cylinder	1				
14	861476	Pressure regulator cylinder rod	1				
15	861484	Rod lock washer	1				
16	861492	Regulator body	1				
17	861500	Pressure regulator lock spring	1				
18	861518	Steering wheel (Petri) n 35/336.12	1				
19	881839	Sealing ring - OR2-124	1				
20	945907	Stud bolt - M8 x 1.25 x 156	4				
21	946079	Core seat	1				
22	011593	Sealing ring - OR1-219	1				
23	946145	Valve seat	1				
24	955617	Sealing ring - OR2-110	1				
25	195446	Quick relief spherical core	1				
26	980250	Identification plate	1				
27	982736	Sleeve (teflon)	3				
28	982744	Sealing seat	3				
29	997171	Flange bolt - 3.5 x 14	1				
30	013433	Flat washer - 8.4 x 16 x 1.6 steel	4				
31	165274	Seat bushing	1				
32	221648	Hex nut - M8 x 1.25 - Stainless steel	8				
33	414748	Sealing washer	1				
34	868372	Nozzle U-clamp	3				

MANUAL QUICK RELIEF ASSEMBLY



CV-599

Controlled copy – Distribution and reproduction prohibited

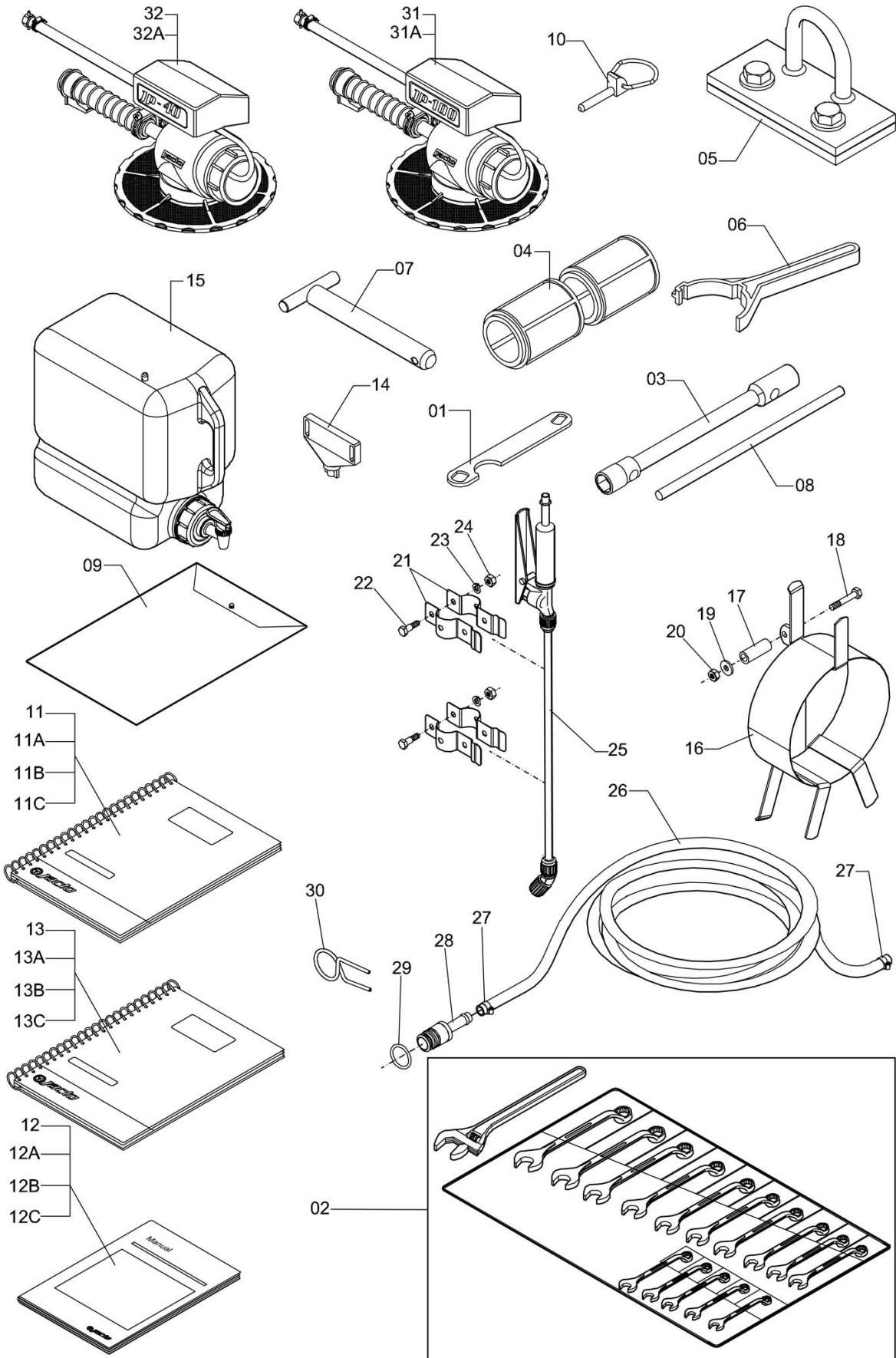
MANUAL QUICK RELIEF ASSEMBLY

Continuation

Item	CODE	DESCRIPTION	Qty.	Item	CODE	DESCRIPTION	Qty.
00	071225	Manual quick relief assembly	1				
01	106955	Sealing ring - OR1-120	3				
02	165811	Body base	1				
03	044040	Identification plate	1				
04	049494	Quick relief body	1				
05	519736	Locking washer - 8	4				
06	531806	Sealing ring - OR1-117	2				
07	057356	Fastening support	1				
08	735282	Sealing ring - OR2-225	1				
09	762088	Flat washer - 37 x 110 x 8	1				
10	832857	Sealing ring - OR1-115	1				
11	860080	Quick relief seat bushing	2				
12	010827	Sealing ring - 29 x 22 x 3	3				
13	861468	Pressure regulator cylinder	1				
14	861476	Pressure regulator cylinder rod	1				
15	861484	Rod lock washer	1				
16	861492	Regulator body	1				
17	861500	Pressure regulator lock spring	1				
18	861518	Steering wheel (Petri) n 35/336.12	1				
19	881839	Sealing ring - OR2-124	1				
20	945907	Stud bolt - M8 x 1.25 x 156	4				
21	946079	Core seat	1				
22	011593	Sealing ring - OR1-219	1				
23	946145	Valve seat	1				
24	955617	Sealing ring - OR2-110	1				
25	974154	Quick relief spherical core	1				
26	980250	Identification plate	1				
27	982736	Sleeve (teflon)	3				
28	982744	Sealing seat	3				
29	997171	Flange bolt - 3.5 x 14	1				
30	013433	Flat washer - 8.4 x 16 x 1.6 steel	4				
31	165274	Seat bushing	1				
32	221648	Hex nut - M8 x 1.25 - Stainless steel	8				
33	414748	Sealing washer	1				
34	868372	Nozzle U-clamp	3				
35	140905	Pin - 2 x 10	1				

Controlled copy – Distribution and reproduction prohibited

ACCESSORY BOX (J2000)



CXA-547

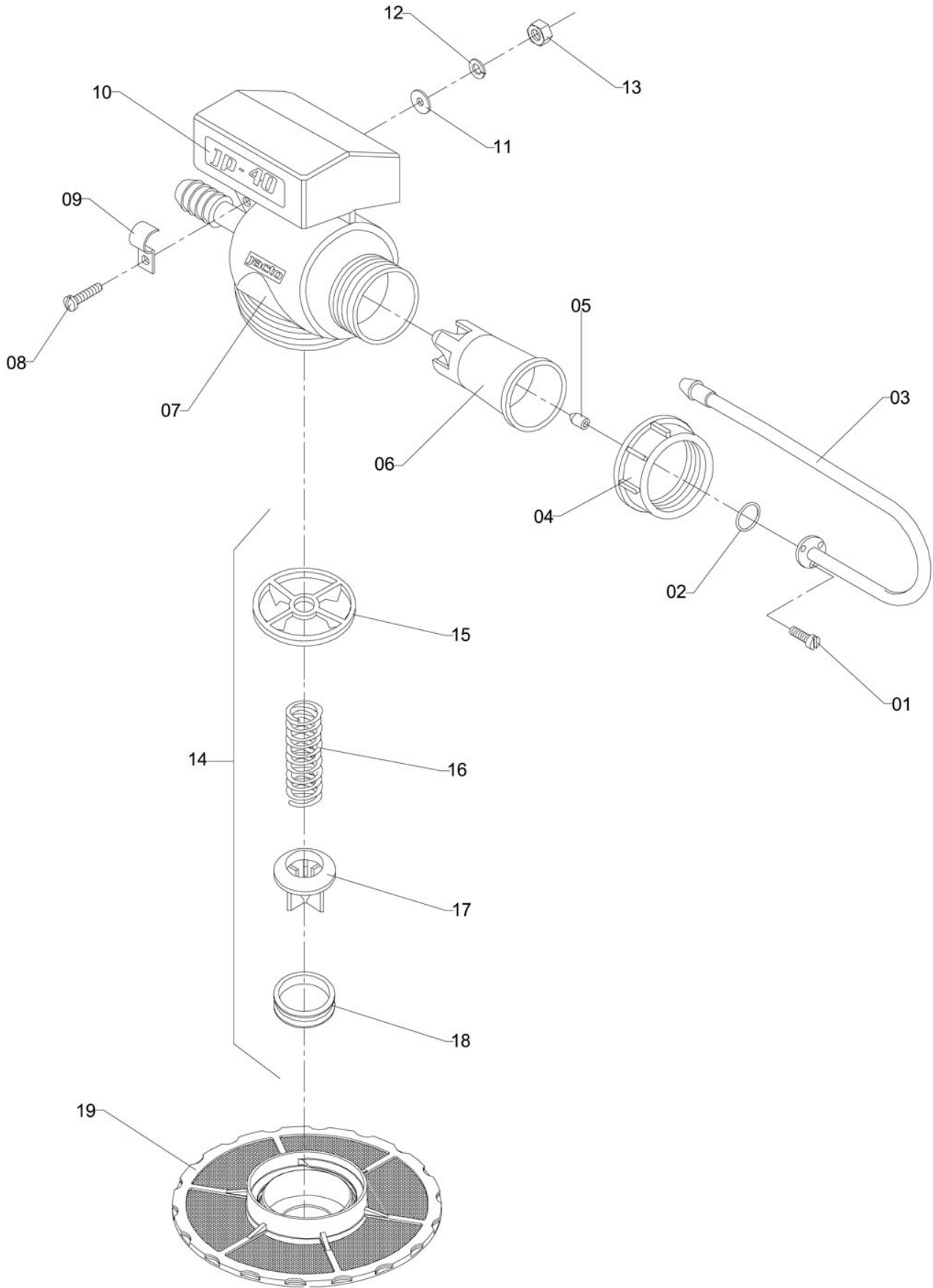
ACCESSORY BOX (J2000)

Continuation

Item	CODE	DESCRIPTION	Qty.	Item	CODE	DESCRIPTION	Qty.
00	079391	Accessory box (J2000)	1				
01	436493	Flat fan nozzle aligner	1				
02	489211	Assembly - combination wrench + screw wrench (for export)	1				
03	499731	Wheel wrench	1				
04	613604	Double filtering element	1				
05	673798	Tightening plate	1				
06	703694	Key 40-45	1				
07	824003	Trailer hitch tee pin	1				
08	830281	Handle - 3/4" x 450 mm for wheel wrench	1				
09	867127	Plastic folder	1				
10	330407	Universal lock pin 5/16"	1				
11	266817	Operator's manual - J2000 - Portuguese	1				
11A	266825	Operator's manual - J-2600 - Spanish	1				
11B	266809	Operator's manual - J2000 English	1				
11C	928085	Operator's manual - J-2600 MI -USA	1				
12	136929	Operator's manual - Chemical container cleaning nozzle - Portuguese	1				
12A	140202	Operator's manual - Chemical container cleaning nozzle - Spanish	1				
12B	158576	Operator's manual - Chemical container cleaning nozzle	1				
12C	907212	Operator's manual - Chemical container cleaning nozzle - USA	1				
13	853093	Operator's manual - Nozzles	1				
13A	864199	Operator's manual - Nozzles guideline - Spanish	1				
13B	697912	Operator's manual - Nozzles Guide - English	1				
13C	938381	Nozzle guide MI - USA	1				
14	1177696	Universal key	1				
15	299768	15-liter tank assembly	1				
16	874545	Hose reel	1				
17	1173777	Bushing - 16 X 1.5 X 42.5	2				
18	479063	Hex bolt - M10 x 80 x 1.25	2				
19	623884	Flat washer - 10.5 x 21 x 3 - stainless steel	2				
20	362368	Nylon-insert lock nut - - M10 x 1.25	2				
21	996587	Half clamp for tube 3/4"	4				
22	810697	Hex head bolt - M6 x 1 x 20 - CL. 8.8	4				
23	521666	Locking washer - 6 - steel	4				
24	810689	Hex nut - M6 x 1 - CL. 8	4				
25	877522	Spray lance assembly	1				
26	873232	Flexible hose - PT PVC Braided 5/16 x 15000	1				
27	063370	Clamp - D11-16 - stainless steel	2				
28	1223375	Fitting - 3/8" - quick connect	1				
29	531806	Sealing ring - OR1-117	1				
30	636399	Quick fitting clamping piece	1				
31	107136	Filler unit - 100 L/min (5-meters hose)	1				
31A	457887	Filler unit - 100 L/min. (10-meters hose)	1				
32	658815	Ejector - 40 L/min with 5-m hose	1				
32A	1227928	Ejector - 40 L/min with 10-m hose	1				

Controlled copy – Distribution and reproduction prohibited

EJECTOR - 40 L/MIN WITHOUT HOSE



A-52

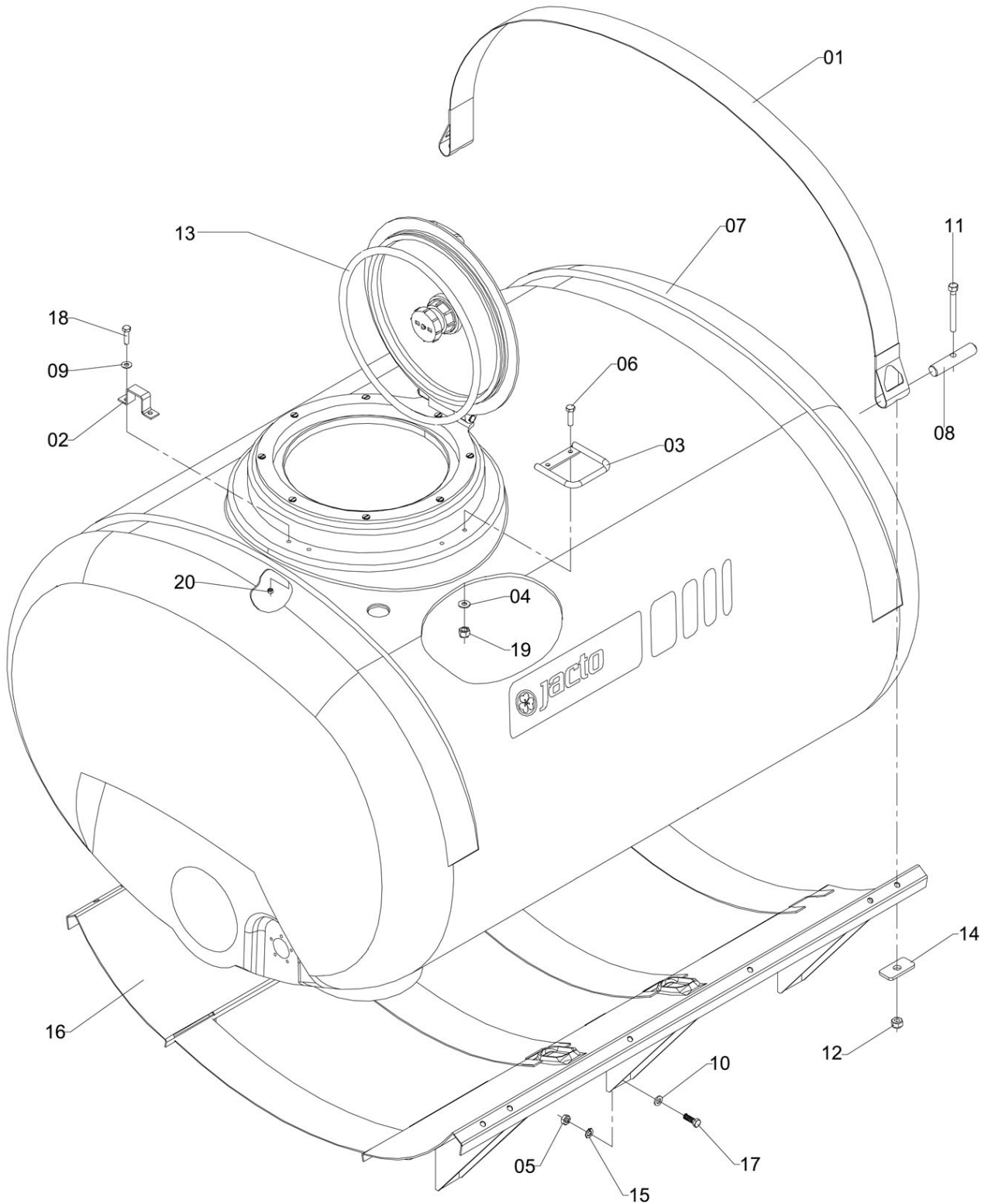
EJECTOR - 40 L/MIN WITHOUT HOSE

Continuation

Item	CODE	DESCRIPTION	Qty.	Item	CODE	DESCRIPTION	Qty.
00	913400	Ejector - 40 L/min without hose	1				
01	913392	Self-tapping pan head bolt - PH 3.5 x 12	3				
02	417709	O-ring OR1 -012	1				
03	612853	Injection nozzle	1				
04	809848	Locknut -	1				
05	322537	Dosing bushing	1				
06	107151	Injector venturi	1				
07	612697	Ejector body	1				
08	912642	Bolt - 1/4" UNC x 5/8"	1				
09	612747	Clamping piece - 10	1				
10	052241	Sticker - JP-40	1				
11	358267	Flat washer 64 x 125 x 16	1				
12	910117	Locking washer - 1/4"	1				
13	912741	Hex nut - 1/4"- 20 UNC	1				
14	114967	Filler unit repair kit	1				
15	612721	Spring seat	1				
16	612861	Spring	1				
17	612739	Ejector valve	1				
18	612705	Valve gasket	1				
19	111542	Filtering element with hub and screw	1				

Controlled copy – Distribution and reproduction prohibited

2,000-LITER TANK



D-236

2,000-LITER TANK

Continuation

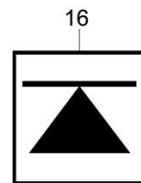
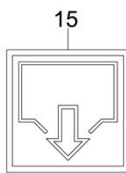
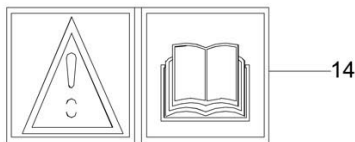
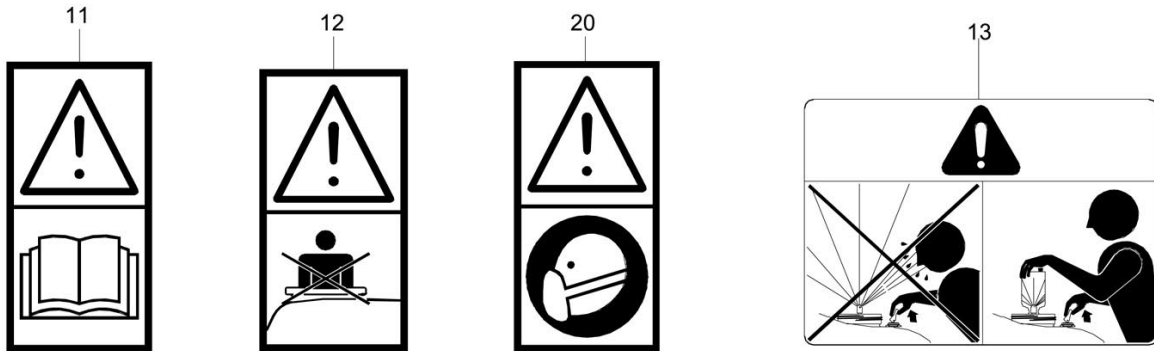
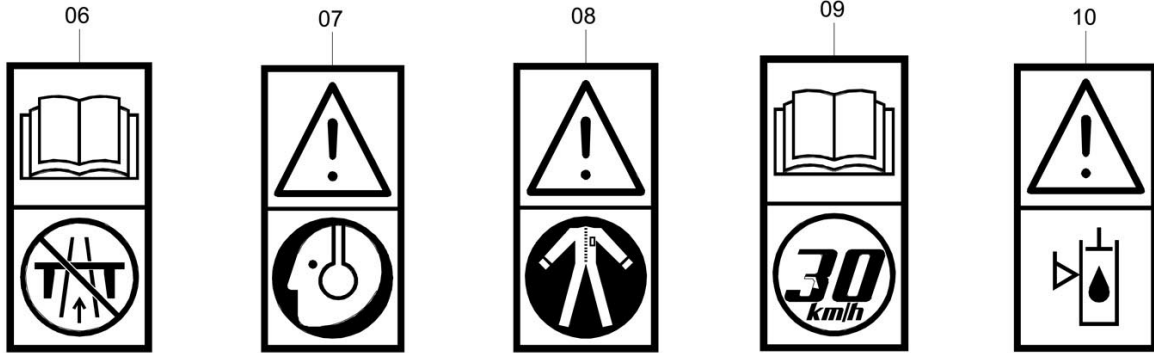
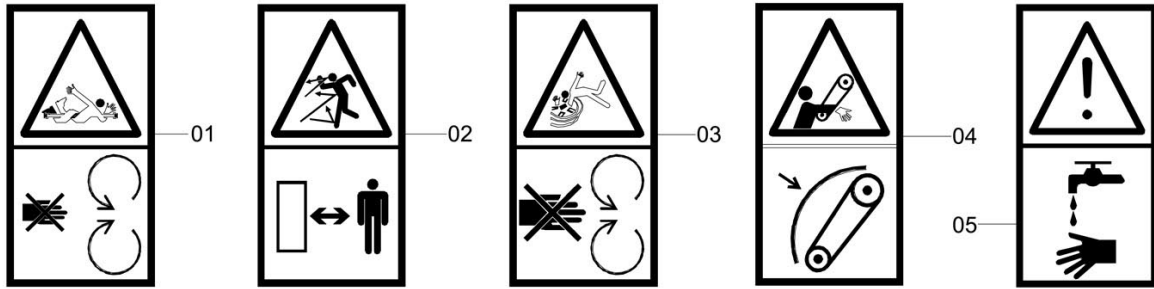
Item	CODE	DESCRIPTION	Qty.	Item	CODE	DESCRIPTION	Qty.
00	270223	2,000-liter tank	1				
01	191809	Upper strap	2				
02	342261	Clamp for tube - 38 x 38	1				
03	362749	Support handle	1				
04	377911	Flat washer - 84 x 160 x 16	2				
05	427013	Hex nut - M12 x 1.5 - CL. 8	6				
06	448233	Bolt - M8 x 30 x 1.25	2				
07	466706	2,000-liter tank - plastic	1				
08	710772	Tightening strap shaft	4				
09	712554	Flat washer - 70 x 180 x 12,4	2				
10	818112	Flat washer - 13 x 24 x 3 - steel	12				
11	935635	Tensioner bolt - 1/2" - 13 UNC	4				
12	202663	Nylon-insert lock nut 1/2" - 13 UNC	4				
13	994863	Sealing ring - 367 x 6.99	1				
14	997809	Reinforcement - 31.8 x 70	4				
15	209163	Locking washer - M12	6				
16	247973	Tank mounting base	1				
17	280925	Hex bolt - M12 x 35 x 1.50	6				
18	295311	Bolt - M6 x 25 x 1.00 - Stainless steel	2				
19	221648	Hex nut - M8 x 1.25 - Stainless steel	2				
20	730309	Hex nut - M6 x 1.00 - Stainless steel	2				

STICKER - J2000

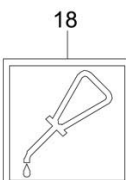
Continuation

Item	CODE	DESCRIPTION	Qty.	Item	CODE	DESCRIPTION	Qty.
00	482497	Sticker - J2000	1				
01	906008	Sticker - Trailer Arbus line	1				
02	428631	Sticker - Drive shaft instructions	1				
03	482927	Sticker - Open-Close	2				
04	1157162	Decal "Level Indicator Scale"	1				
05	276220	Sticker - Lubrication Point Indication	3				
06	446500	Sticker - Instructions to unlock fan	1				
07	013169	Sticker - FINAL TEST OK	1				
08	1180095	Sticker - Band + Logo - Fan box	1				
09	983932	Identification plate	1				

STICKER - TRAILER ARBUS LINE



		lbf/pol ²	Kgf/cm ²
Arbus 500	175/70 R13	32	2.25
Arbus 500	7.35-14	26	1.85
Arbus 1000	7.35-14	36	2.55
Arbus 1500/725	7.50-16	36	2.55
Arbus 1500/850	11L-15	44	3.10
Arbus 2000/750	11L-15	44	3.10
Arbus 2000/850	11L-15	44	3.10
Arbus 2000/850	7.50-16	50	3.50
Arbus 2000/850	12.5/80-18	24	1.70
Arbus 4000/850	16.0-20	36	2.50
Jatão 1000	11L-15	24	1.70
Jatão 2600	11L-15	44	3.10
Jatão 2600	7.50-16	50	3.50
Jatão 2600	12.4-24	26	1.83
Coral 2P e EM	7.5-16	56	3.95



	Kgf.m	N.m	lbf.ft	
M16	19.3 - 25.2	190 - 247	140 - 182	
M20	39 - 50	383 - 490	282 - 362	
1/2"	10.3 - 11.7	100 - 115	75 - 85	
5/8"	18 - 23.5	176 - 230	130 - 169	

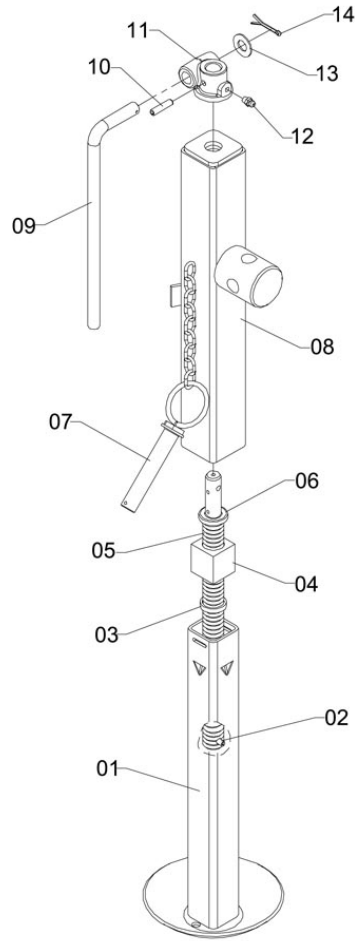
ADS-210

STICKER - TRAILER ARBUS LINE

Continuation

Item	CODE	DESCRIPTION	Qty.	Item	CODE	DESCRIPTION	Qty.
00	906008	Sticker - Trailer Arbus line	1				
01	379008	Decal "Danger - PTO Shaft"	1				
02	379040	Sticker - Attention - Keep distance	1				
03	379057	Sticker - Keep distance - Fan	1				
04	379065	Sticker - Keep all protectors	1				
05	379073	Sticker - Tank - Water for Washing Hands	1				
06	379222	Decal "Attention: This machined is not allowed in highways."	1				
07	379123	Sticker - Mandatory Use of Hearing Protection	1				
08	379131	Sticker - Mandatory Use of Protective Clothing	1				
09	379214	Sticker - Maximum Speed 30 KM/H	1				
10	379107	Sticker - Hydraulic Oil Level	1				
11	379248	Sticker - Read Operator's Manual - Vertical	1				
12	380014	Sticker - Attention - Do NotEnter Into the Tank	1				
13	169128	Sticker - Chemical container cleaning nozzle	1				
14	379230	Sticker - Read Operator's Manual - Horizontal	1				
15	389387	Sticker - Drain Indication	1				
16	276238	Sticker - Jack Positioning Indication	2				
17	391631	Sticker - Tire Pressure Indication	2				
18	395061	Sticker - Lubrication Point Indication - Oil	2				
19	379164	Sticker - Nut Torque	2				
20	379115	Decal "Obligatory use of the protective mask."	1				

JACK NO. 10

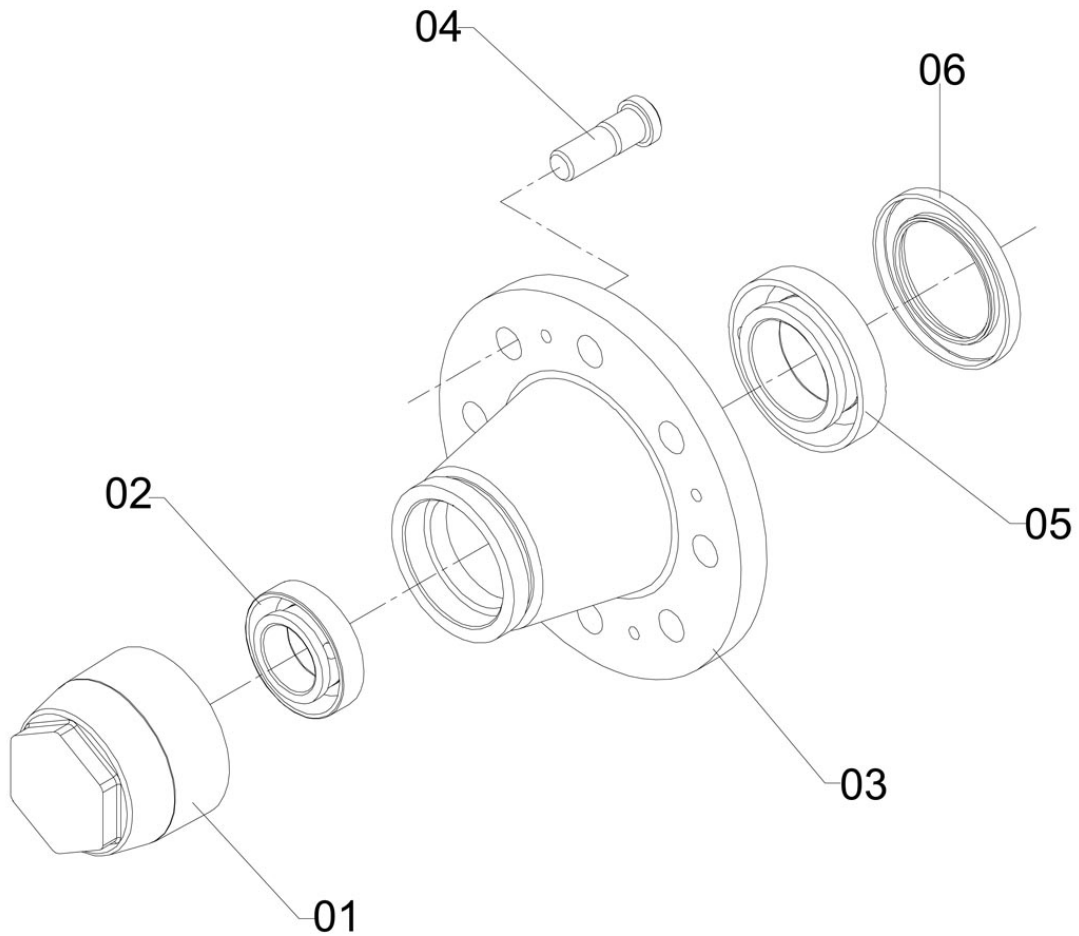


MC-15

Item	CODE	DESCRIPTION	Qty.	Item	CODE	DESCRIPTION	Qty.
00	431064	Jack no. 10	1				
01	670364	Sliding bar	1				
02	103978	Elastic pin - 6 x 24	1				
03	429803	Thrust ring	1				
04	426544	Square nut	1				
05	330019	Bolt - 7/8" - 9 UNC x 360	1				
06	330084	Bearing	1				
07	431106	Lock pin	1				
08	670323	Jack body	1				
09	331314	Jack lever	1				
10	910802	Elastic pin - 6 x 28	1				
11	330043	Bolt head	1				
12	910463	Grease nipple - 1/4" - 28 UNF	1				
13	315002	Flart washer 130 x 254 x 15	1				
14	910240	Cotter pin - 3.17 x 25.4	1				

Controlled copy – Distribution and reproduction prohibited

WHEEL HUB ASSEMBLY - 8 HOLES

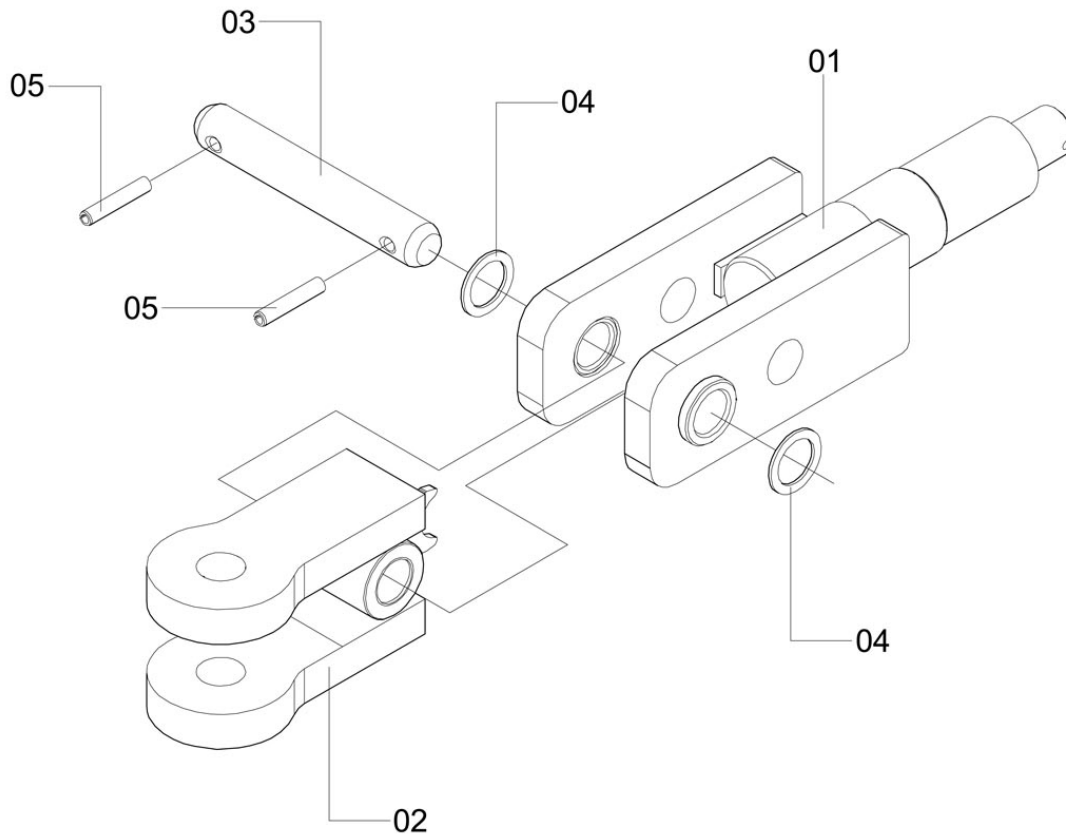


EX-206

Item	CODE	DESCRIPTION	Qty.	Item	CODE	DESCRIPTION	Qty.
00	063586	Wheel hub assembly - 8 holes	1				
01	610188	Hubcap	1				
02	717173	Tapered roller bearing	1				
03	715706	Wheel hub - 8 holes (machined part)	1				
04	715797	Bolt - 5/8" - 18 UNF x 50	8				
05	715805	Tapered roller bearing	1				
06	715789	Retainer - 60 x 90.30 x 10	1				

Controlled copy – Distribution and reproduction prohibited

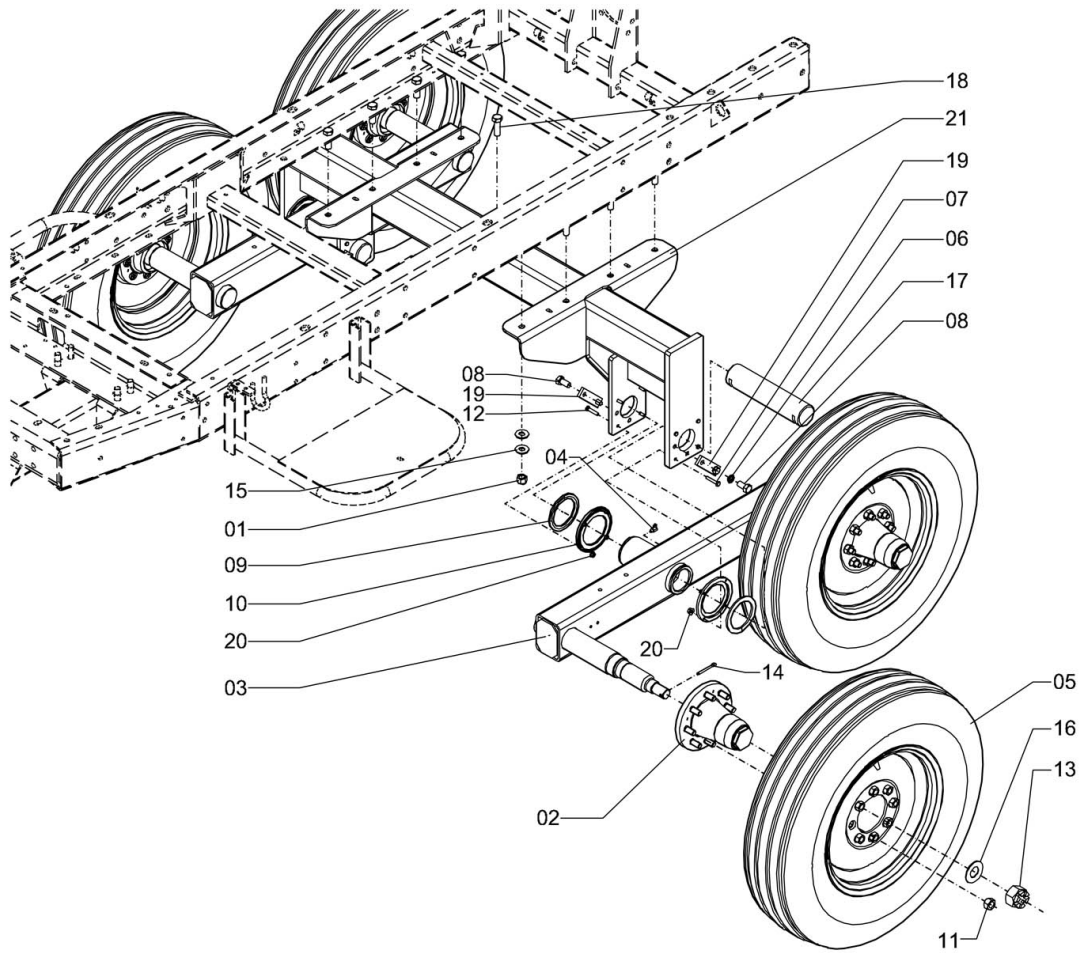
ARTICULATED HITCH



C-497

Item	CODE	DESCRIPTION	Qty.	Item	CODE	DESCRIPTION	Qty.
00	1145214	Articulated Hitch	1				
01	1145054	Hitch fork - Tractor Class "I" ASAE	1				
02	1145072	Hitch fork with lock - Tractor Cat."I" ASAE	1				
03	1145035	Pin - 25.4 x 165	1				
04	541276	Flat washer - 268 x 376 x 19	2				
05	912626	Elastic pin	2				

TANDEM AXLE

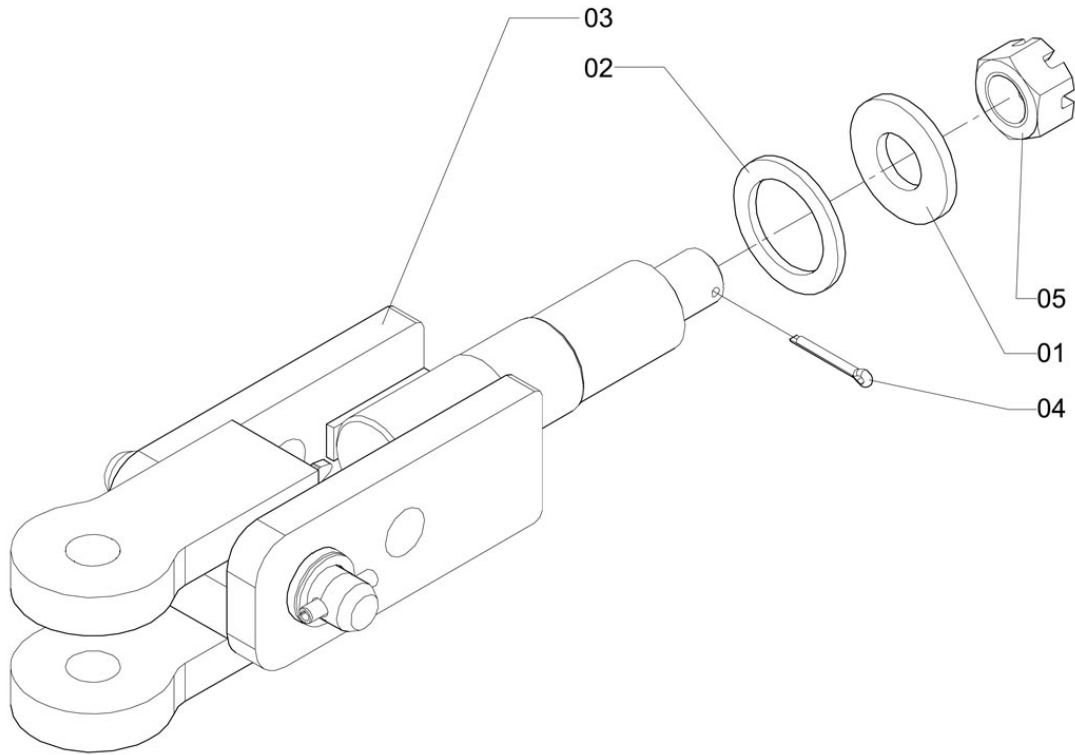


EX-295

Item	CODE	DESCRIPTION	Qty.	Item	CODE	DESCRIPTION	Qty.
00	1213838	Tandem axle	1				
01	044107	Nylon-insert lock nut - - M16 x 1.50	8				
02	063586	Wheel hub assembly - 8 holes	4				
03	092544	Rocker arm	2				
04	111245	Grease nipple - 1/4" x 28 UNF x 45	2				
05	176172	Tire assembly - 7.50 x 16 with 8-hole wheel	4				
06	209163	Locking washer - M12	8				
07	234765	Hex bolt - M6 x 35 x 1.00 CL.88	8				
08	579722	Hex bolt - M12 x 25 x 1.50	8				
09	620997	Felt strip	4				
10	621003	Seal housing	4				
11	700377	Conical nut - 5/8" - 18 UNF	32				
12	810895	Hex bolt - M6 x 1 x 30 CL8.8	8				
13	831347	Castle nut - M30 x 2"	4				
14	831354	Cotter pin - 6.30 x 50.8	4				
15	881300	Flat washer - 17.0 x 38.0 x 3.0 - steel	16				
16	881334	Flat washer - 330 x 650 x 31	4				
17	984948	Shaft - 63.5 x 280	2				
18	984963	Hex bolt - M16 x 50 x 1.50	8				
19	992677	Shaft lock	4				
20	1150358	Flange nut - M6 x 1 - CL. 8	16				
21	1213835	Axle support	1				

Controlled copy – Distribution and reproduction prohibited

ARTICULATED HITCH ASSEMBLY - TRACTOR CLASS "I" ASAE

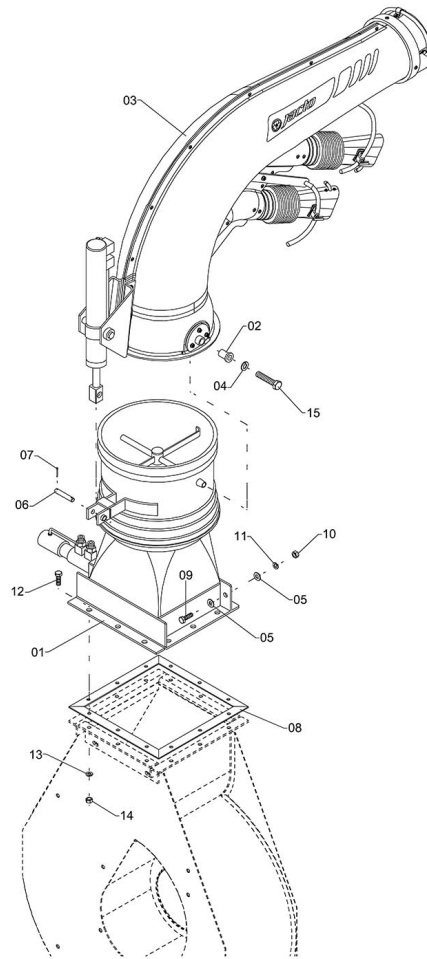


C-498

Item	CODE	DESCRIPTION	Qty.	Item	CODE	DESCRIPTION	Qty.
00	487215	Articulated hitch assembly - Tractor Class "I" ASAE	1				
01	001982	Flat washer - 300 x 650 x 63	1				
02	007567	Flat washer - 500 x 700 x 47,5	1				
03	1145214	Articulated Hitch	1				
04	209783	Cotter pin - 4.75 x 38.1	1				
05	625160	Castle nut - 1.1/8" - 7 UNC	1				

Controlled copy – Distribution and reproduction prohibited

APPLICATION ASSEMBLY

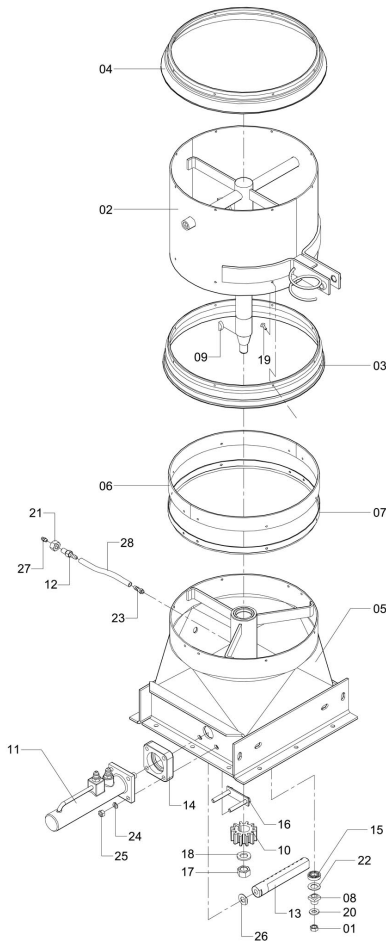


CA-287

Item	CODE	DESCRIPTION	Qty.	Item	CODE	DESCRIPTION	Qty.
00	046457	Application assembly	1				
01	580548	Intermediate duct - JS2000 (rotating)	1				
02	620682	Bushing - 15.9 x 28	2				
03	298828	Upper duct assembly - J2000	1				
04	908566	Locking washer - 3/8"	2				
05	623884	Flat washer - 10.5 x 21 x 3 - stainless steel	8				
06	520015	Articulation shaft	1				
07	808451	Cotter pin - 2.38 x 19.05	2				
08	519702	Gasket - 32 x 325 x 3.20	4				
09	936146	Hex bolt - M10 x 1.25 x 35 - CL. 8.8	4				
10	209205	Hex nut - M10 x 1,50	4				
11	209395	Locking washer - M10 - steel	4				
12	829382	Hex bolt - M8 x 25 x 1.25	12				
13	519736	Locking washer - 8	12				
14	810770	Hex nut - M8 x 1.25	12				
15	912717	Hex bolt - 3/8" - 16 UNC x 1.3/4"	2				

Controlled copy – Distribution and reproduction prohibited

INTERMEDIATE DUCT - JS2000 (ROTATING)

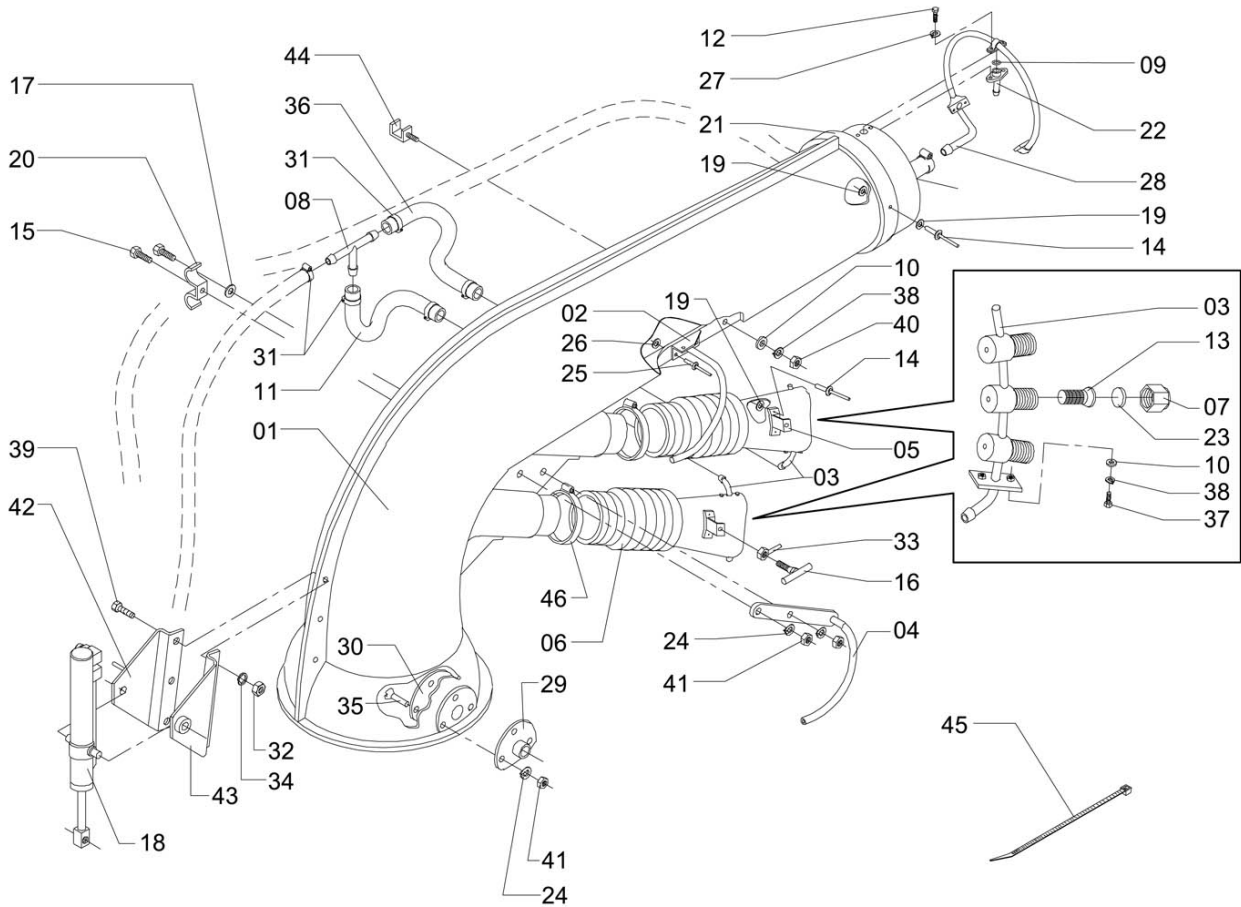


CA-286

Item	CODE	DESCRIPTION	Qty.	Item	CODE	DESCRIPTION	Qty.
00	580548	Intermediate duct - JS2000 (rotating)	1				
01	108761	Nut 3/8" - 16 UNC	1				
02	519041	Swivelling body	1				
03	519140	Protection ring (JS-600) - polyethylene	1				
04	519173	Spherical gasket (JS-600)PEAD POLISUL GC7	1				
05	519199	Fixed duct	1				
06	519306	Gasket	1				
07	519314	Fastening ring	1				
08	519330	Bushing	1				
09	519348	Half moon key 6 x 9 x 22	1				
10	519355	Gear	1				
11	045889	Hydraulic cylinder - 32 x 100 with nipple	1				
12	426189	Grease nipple fitting	1				
13	519975	Gear rack	1				
14	519983	Hydraulic cylinder spacer	1				
15	520734	Bearing - 6002	1				
16	520999	Tightening plate	2				
17	521021	Nut - M-16 X 1.50 - DODI LOC	1				
18	521039	Flat washer - 170 x 300 x 30	1				
19	519785	Riveet - Pop	24				
20	623884	Flat washer - 10.5 x 21 x 3 - stainless steel	1				
21	626234	Hex nut - M 12	1				
22	705129	Flat washer - 152 x 272 x 9	1				
23	426205	Male fitting for hose - 1/4"	1				
24	519736	Locking washer - 8	4				
25	810770	Hex nut - M8 x 1.25	4				
26	903591	Flat washer - 25.8 x 13.4 x 1.25	1				
27	910463	Grease nipple - 1/4" - 28 UNF	1				
28	517920	Hose - 1/4" x 340	1				

Controlled copy – Distribution and reproduction prohibited

UPPER DUCT ASSEMBLY - J2000

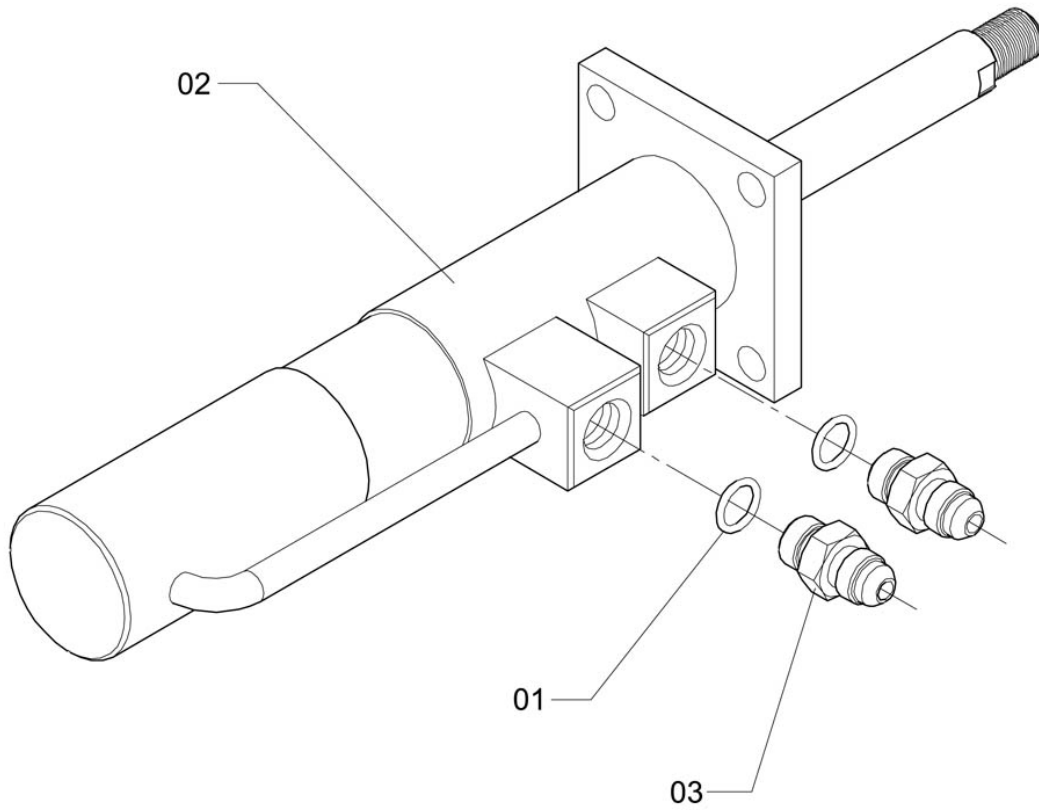


CA-288

Item	CODE	DESCRIPTION	Qty.	Item	CODE	DESCRIPTION	Qty.
00	298828	Upper duct assembly - J2000	1	30	620674	Internal bearing housing	2
01	180620	Outlet duct	1	31	063370	Clamp - D11-16 - stainless steel	5
02	332478	Upper slide	1	32	209205	Hex nut - M10 x 1,50	3
03	332536	Lower nozzle branch	2	33	823682	Lock nut - 5/16" - 18 UNC x 28	2
04	332569	Lower slide	1	34	209395	Locking washer - M10 - steel	3
05	332601	Extension guide	2	35	833814	Slotted flat head screw - 5/16" UNC x 1"	6
06	337972	Lower outlet hose	2	36	1186855	Flexible hose - 3/8" x 510	1
07	039545	Hex nut - 11/16" - 16 UNC	6	37	910109	Bolt - 1/4"- 20 UNC x 1/2"	4
08	409169	T-fitting for hose - 9.53 (3/8")	1	38	910117	Locking washer - 1/4"	5
09	411884	Ring - ORI - 111	3	39	757559	Hex bolt - M10 x 30 x 1.25	3
10	413468	Flat washer - 6.8 x 18 x 1.2 - treated steel	5	40	912741	Hex nut - 1/4"- 20 UNC	1
11	421107	Hose - 3/8" x 330	1	41	912758	Hex nut - 5/16"- 18 UNC	8
12	202382	Bolt - 3/16" UNC x 3/4"	6	42	926337	Cylinder support	1
13	439083	Nozzle filter (50 mesh) - black/black	6	43	926345	Cylinder support	1
14	519777	Rivet - Pop - 4.0 x 12.8	8	44	519363	Single fastener	1
15	721704	Bolt - 5/16" UNC 1.1/4" - 5 degree	2	45	326710	Cable tie - Insulok	1
16	944439	Locking screw 5/16" - 18 UNC x 28	2	46	332635	Clamp - D102-121 - stainless steel	2
17	423913	Flat washer - 82 x 200 x 12	1				
18	1217896	Hydraulic cylinder	1				
19	508515	Flat washer - 4.3 x 10.2 x 0.8 - steel	12				
20	519389	Double fastener	1				
21	519421	Upper end (JS-600) PPH 20%FV-POL.	1				
22	519603	Deflector nozzle - 30	3				
23	519645	Blind disk	6				
24	519736	Locking washer - 8	8				
25	519769	Rivet - Pop - 4.0 x 10.2	3				
26	979237	Flat washer - 5.3 x 10 x 1	3				
27	520676	Locking washer - 5	6				
28	521617	Upper nozzle branch	1				
29	620633	External bearing housing	2				

Controlled copy – Distribution and reproduction prohibited

HYDRAULIC CYLINDER - 32 X 100 WITH NIPPLE

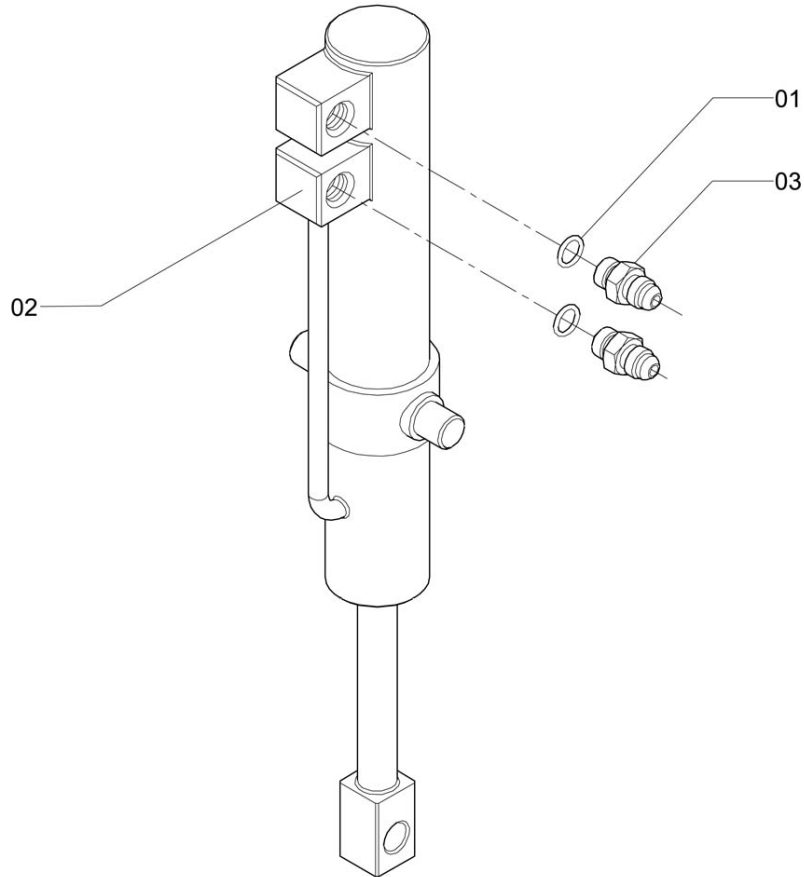


CH-632

Item	CODE	DESCRIPTION	Qty.	Item	CODE	DESCRIPTION	Qty.
00	045889	Hydraulic cylinder - 32 x 100 with nipple	1				
01	426361	Sealing ring - 10.52 x 1.83 OR2-5	2				
02	519967	Hydraulic cylinder - 32 x 100	1				
02A	130674	Repair kit	1				
03	521906	Dosing nipple - 0.50	2				

Controlled copy – Distribution and reproduction prohibited

HYDRAULIC CYLINDER

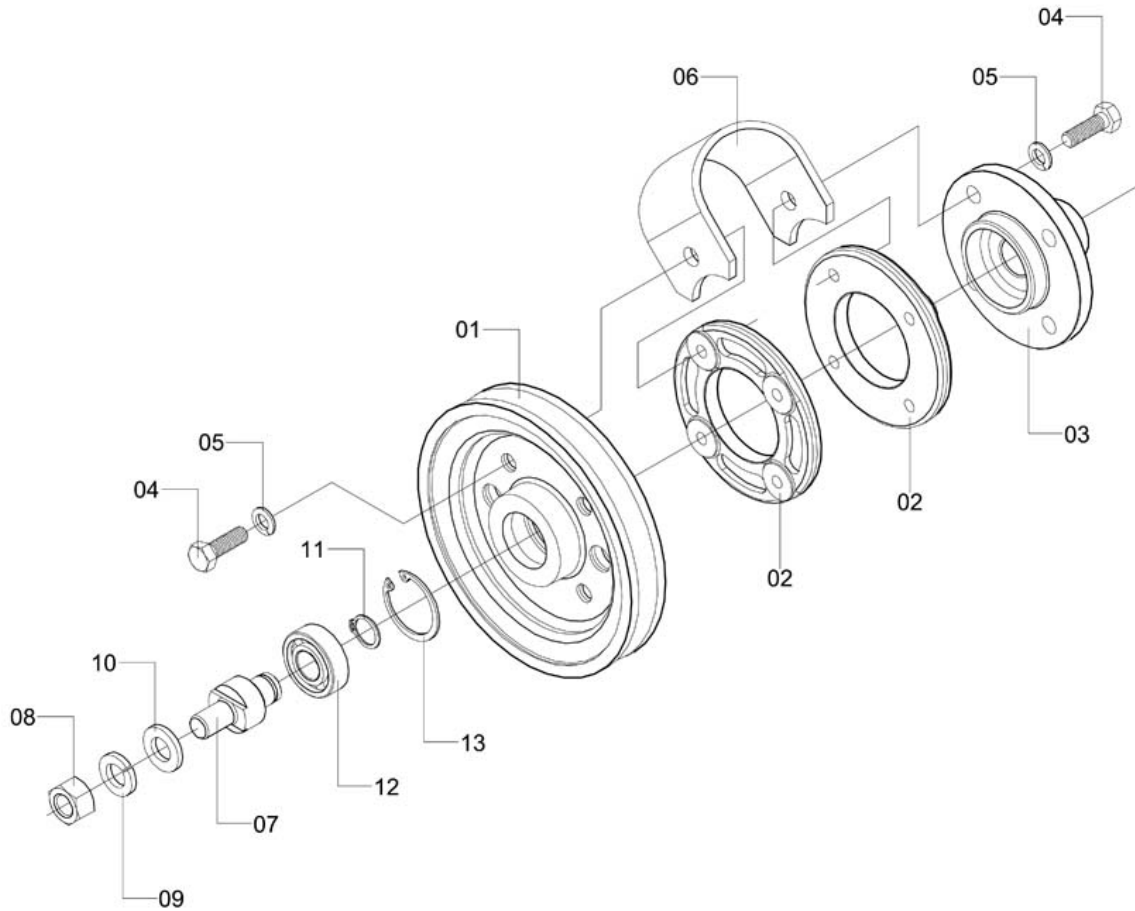


CH-631

Item	CODE	DESCRIPTION	Qty.	Item	CODE	DESCRIPTION	Qty.
00	1217896	Hydraulic cylinder	1				
01	426361	Sealing ring - 10.52 x 1.83 OR2-5	2				
02	519991	Hydraulic cylinder 32 x stroke = 160	1				
02A	130690	Gasket/seal repair kit for cylinder (Focker)	1				
03	982728	Dosing nipple - 0.90	2				

Controlled copy – Distribution and reproduction prohibited

FLEXIBLE COUPLING 9

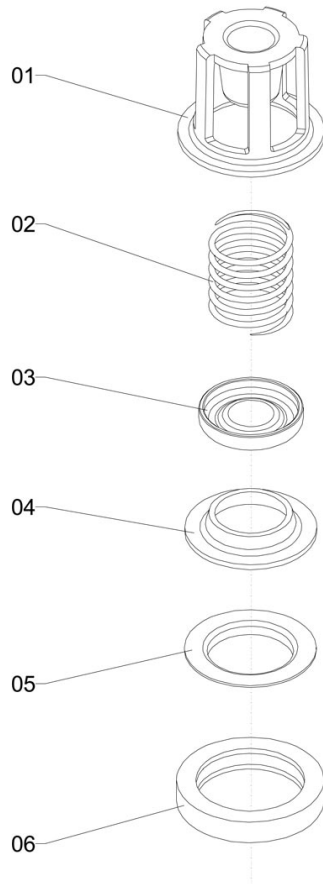


LE-12

Item	CODE	DESCRIPTION	Qty.	Item	CODE	DESCRIPTION	Qty.
00	727925	Flexible coupling 9	1				
01	727917	Assembly pulley - 146 - 1A	1				
02	326462	Elastic coupling ring	2				
03	326470	Hub - 19	1				
04	836502	Bolt - 5/16"- 18 UNC x 1" - 5 degree	8				
05	519736	Locking washer - 8	8				
06	326447	Flexible link - 125	4				
07	817627	Shaft - 15 x 50.5	1				
08	912790	Hex nut - 1/2" - 13 UNC	1				
09	908582	Locking washer - 1/2"	1				
10	818112	Flat washer - 13 x 24 x 3 - steel	1				
11	910851	Snap ring for shaft - 15	1				
12	328781	Fixed bearing	1				
13	517557	Snap ring for hole - 35	1				

Controlled copy – Distribution and reproduction prohibited

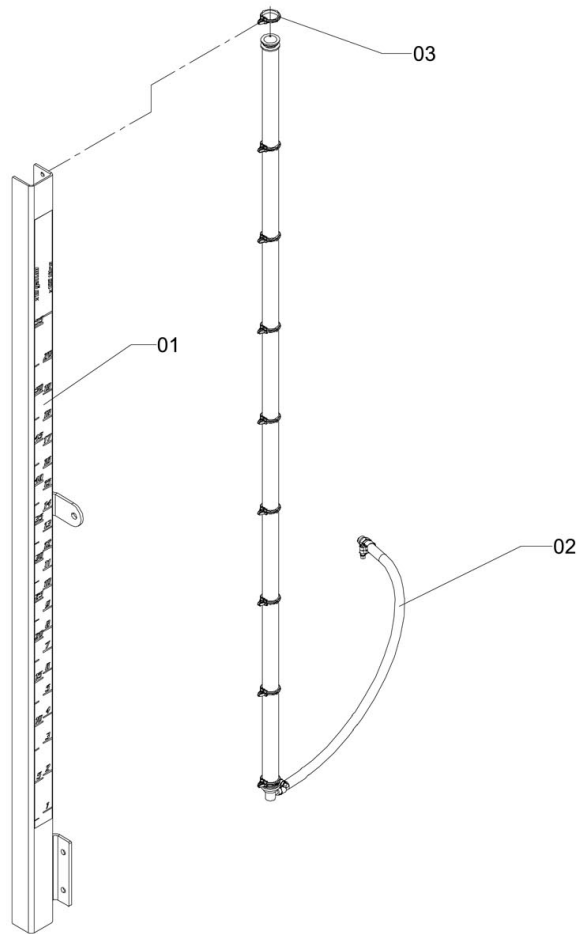
VALVE FOR PUMP - 18



B-137

Item	CODE	DESCRIPTION	Qty.	Item	CODE	DESCRIPTION	Qty.
00	261404	Valve for pump - 18	1				
01	073809	Cage	1				
02	088070	Compression spring 19.7 z LO= 23.1	1				
03	088187	Disk - 21.9/22	1				
04	407296	Valve seat	1				
05	508317	Guide ring - pump valve	1				
06	508333	Valve sealing	1				

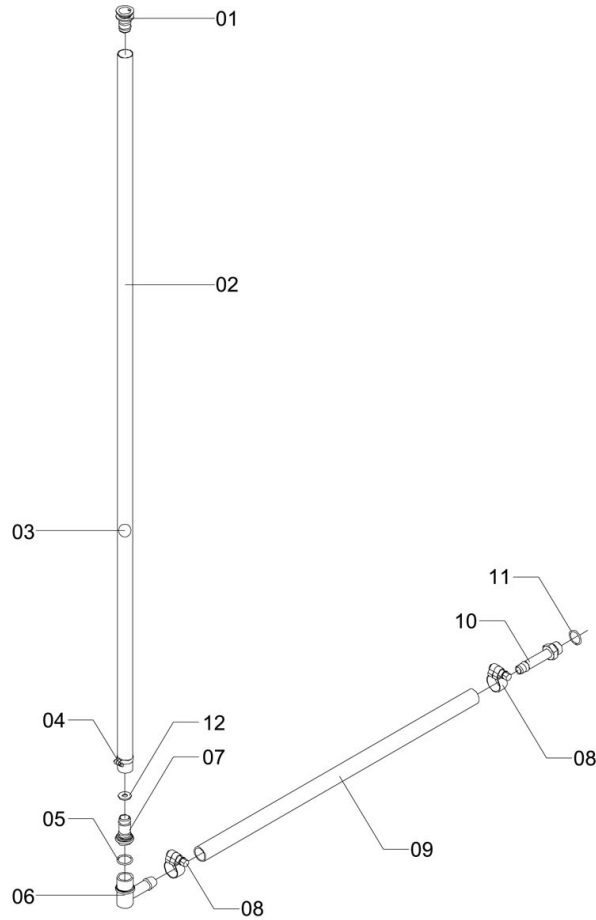
LEVEL GAUGE NO. 11



MN-70

Item	CODE	DESCRIPTION	Qty.	Item	CODE	DESCRIPTION	Qty.
00	263301	Level gauge no. 11	1				
01	251736	Level indicator body	1				
02	278705	Level gauge	1				
03	546598	Hose clip - 22/25	8				

LEVEL GAUGE

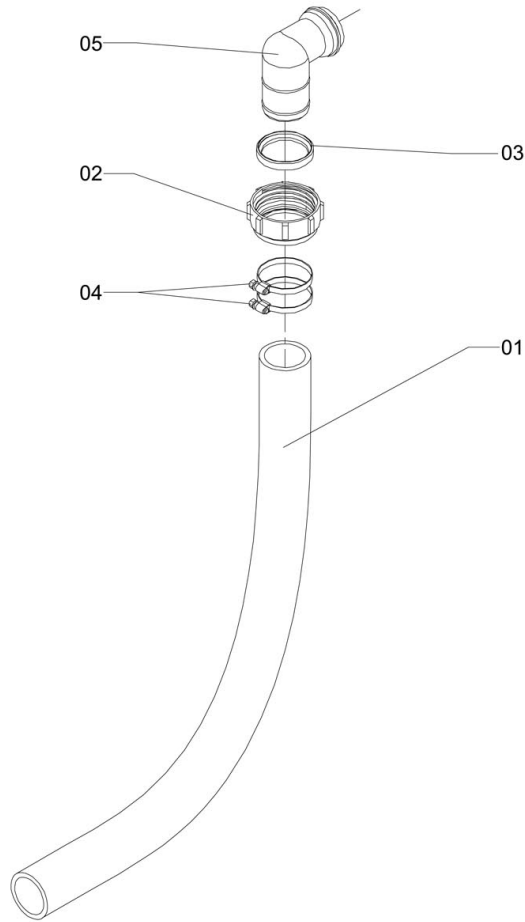


MN-61

Item	CODE	DESCRIPTION	Qty.	Item	CODE	DESCRIPTION	Qty.
00	278705	Level gauge	1				
01	537381	Plug	1				
02	297606	Transparent hose 3/4" 1370	1				
03	324764	Float 14	1				
04	423814	Clamp D22-32 - stainless steel	1				
05	901405	Sealing ring - ORI-014	1				
06	519587	Fitting 3/8" x 90°	1				
07	239764	Fitting - 3/4" x 22.6	1				
08	063370	Clamp - D11-16 - stainless steel	2				
09	421099	Hose - 3/8" x 750 - PT-80	1				
10	998963	Fitting - 1/4" BSP for hose 3/8"	1				
11	411884	Ring - ORI - 111	1				
12	712554	Flat washer - 70 x 180 x 12,4	1				

Controlled copy – Distribution and reproduction prohibited

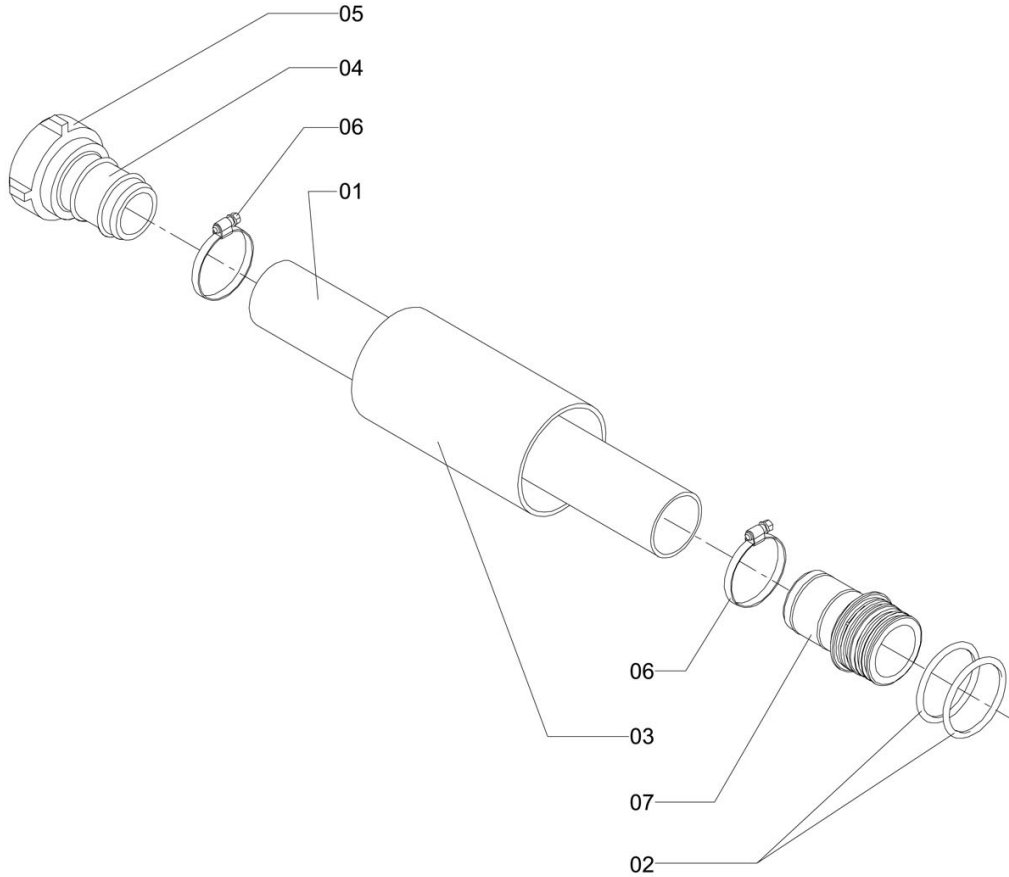
HOSE - FILTER / JUMP



MD-039

Item	CODE	DESCRIPTION	Qty.	Item	CODE	DESCRIPTION	Qty.
00	265249	Hose - Filter / Jump	1				
01	435123	Hose - 50 (2") x 520 - KM 50 - Blue	1				
02	005900	Lock nut - Filter	1				
03	005918	Retaining ring	1				
04	626580	Clamp D51-64	2				
05	725135	Hose fitting - 2" x 90°	1				

HOSE - FILTER / TANK

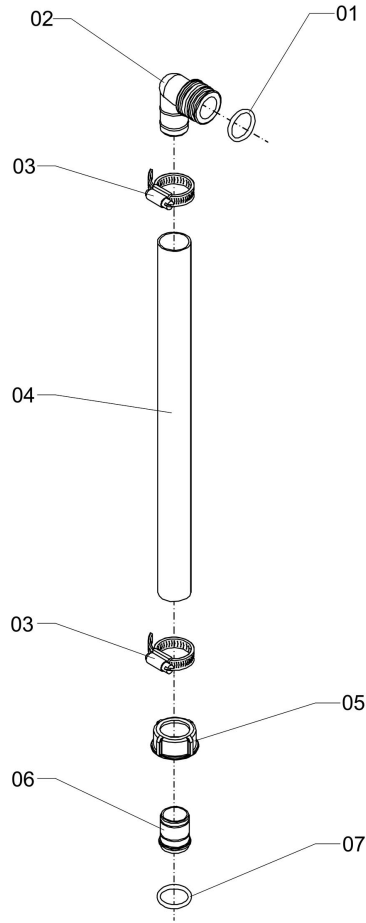


MD-038

Item	CODE	DESCRIPTION	Qty.	Item	CODE	DESCRIPTION	Qty.
00	265256	Hose - Filter / Tank	1				
01	281592	Flexible hose - 2" x 330mm	1				
02	417717	Sealing ring - OR1-227	2				
03	066589	Protection hose - 76.2 x 170	1				
04	534412	Hose fitting - 2"	1				
05	005900	Lock nut - Filter	1				
06	626580	Clamp D51-64	2				
07	066043	Hose fitting - 2"	1				

Controlled copy – Distribution and reproduction prohibited

HOSE - RINSE NOZZLE / CONTROL

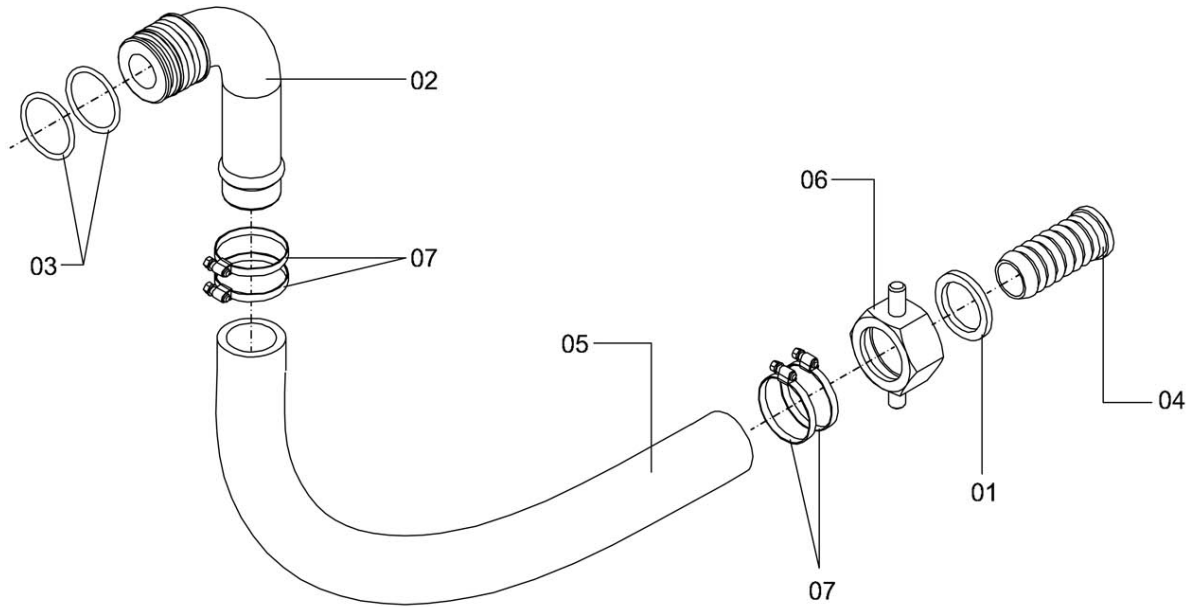


CD-824

Item	CODE	DESCRIPTION	Qty.	Item	CODE	DESCRIPTION	Qty.
00	265264	Hose - Rinse nozzle / Control	1				
01	162156	Hose - 1.1/4 x 1000	1				
02	618355	Sealing ring - OR2-220	1				
03	731513	Hose fitting - 31.8 (1.1/4") x 33	1				
04	731521	Sealing ring - OR1-124	1				
05	989053	Curved fitting - 1.1/4" x 90°	1				
06	330969	Clamp D25-38 - stainless steel	2				
07	005884	Round nut - 1.1/4" BSP	1				

Controlled copy – Distribution and reproduction prohibited

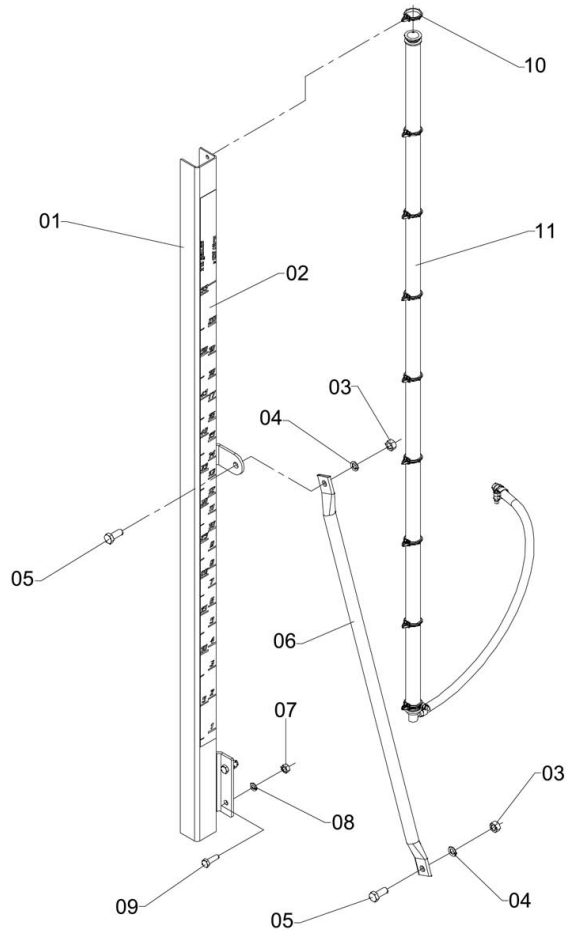
HOSE - CONTROL / PUMP



MD-036

Item	CODE	DESCRIPTION	Qty.	Item	CODE	DESCRIPTION	Qty.
00	265272	Hose - Control / Pump	1				
01	402412	Sealing washer - 31 x 22.5 x 22.5/3.0	1				
02	989087	Curved fitting for 1"	1				
03	618355	Sealing ring - OR2-220	2				
04	819540	Fitting for hose - 1"	1				
05	097576	Hose - MBP-16 - 25.4 (1") x 500	1				
06	421040	Wing nut - 1"	1				
07	330969	Clamp D25-38 - stainless steel	4				

LEVEL INDICATOR

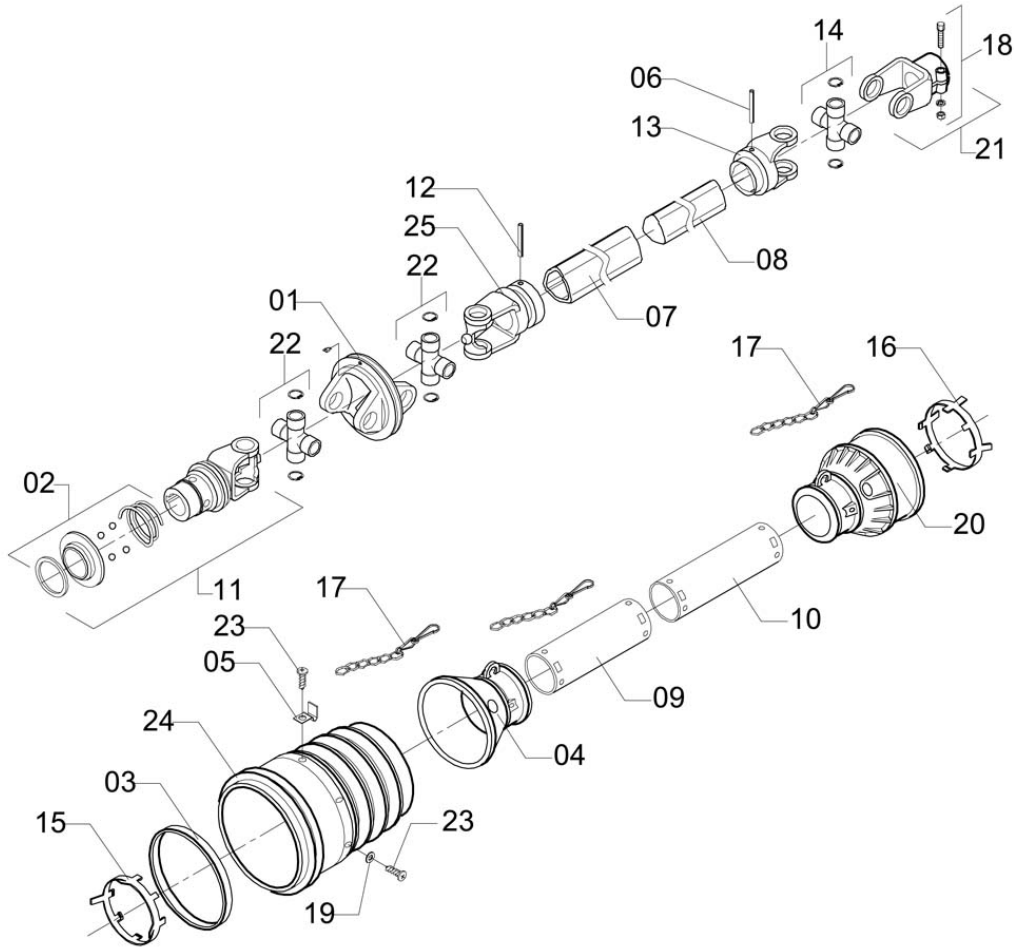


MN-77

Item	CODE	DESCRIPTION	Qty.	Item	CODE	DESCRIPTION	Qty.
00	299701	Level indicator	1				
01	251736	Level indicator body	1				
02	1157162	Decal "Level Indicator Scale"	1				
03	907030	Nut - M10 x 1.25	2				
04	209395	Locking washer - M10 - steel	2				
05	757559	Hex bolt - M10 x 30 x 1.25	2				
06	428201	Crossarm brace - 723	1				
07	810770	Hex nut - M8 x 1.25	2				
08	519736	Locking washer - 8	2				
09	829382	Hex bolt - M8 x 25 x 1.25	2				
10	546598	Hose clip - 22/25	9				

Controlled copy – Distribution and reproduction prohibited

WIDE ANGLE CV PTO SHAFT

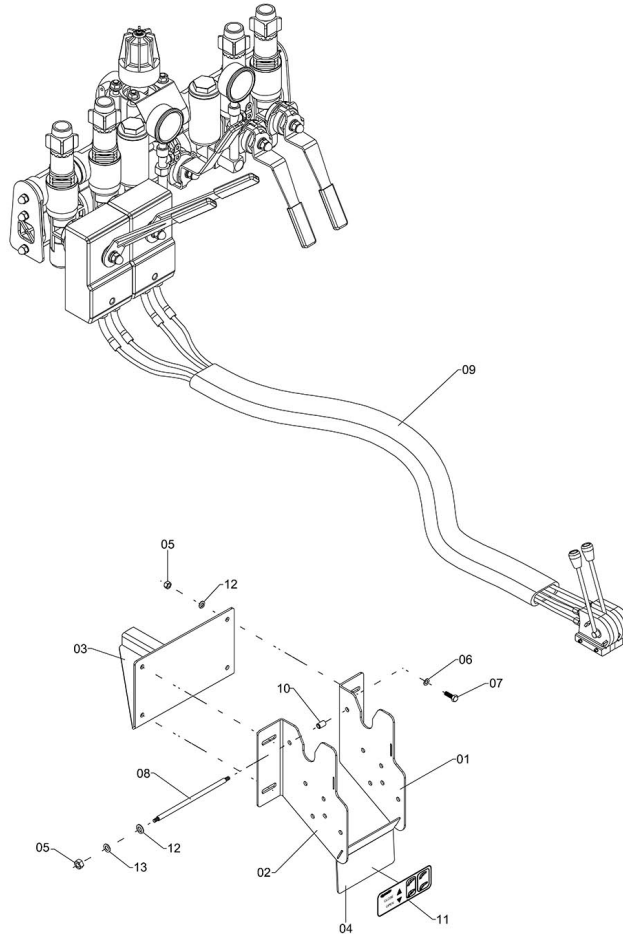


CN-27

Item	CODE	DESCRIPTION	Qty.	Item	CODE	DESCRIPTION	Qty.
00	344762	Wide angle CV PTO shaft	1				
01	008839	Central body	1				
02	585414	PTO end blocking kit - 6 grooves	1				
03	169292	Crosspiece guard lock	1				
04	169326	Intermediate guard (tractor end)	1				
05	169334	Drive shaft chain hook	1				
06	227173	Roll pin - 10 x 65	1				
07	640730	Outer tube	1				
08	640748	Inner tube	1				
09	640755	Guard (Outer tube)	1				
10	640763	Guard (Inner tube)	1				
11	399550	PTO yoke - 1.3/8"Z=6	1				
12	456970	Flexible pin	1				
13	457010	Inner profile yoke	1				
14	457028	Cross piece	1				
15	457069	Protector lock	1				
16	457119	Protector lock	1				
17	457127	Chain	3				
18	457192	Bolt and nut	1				
19	501692	Flat washer - 5.3 x 15 x 1.2 - stainless steel	5				
20	572321	Cross piece guard (Implement end)	1				
21	640623	Implement yoke	1				
22	681676	Cross piece assembly	2				
23	856229	Self-tapping pan head screw - PH. 4.8 X 22	6				
24	876789	Central body protection cover - PTO end	1				
25	876797	Outer tube end	1				

Controlled copy – Distribution and reproduction prohibited

MASTERFLOW CONTROL 2000 - 2 CABLES - J2000

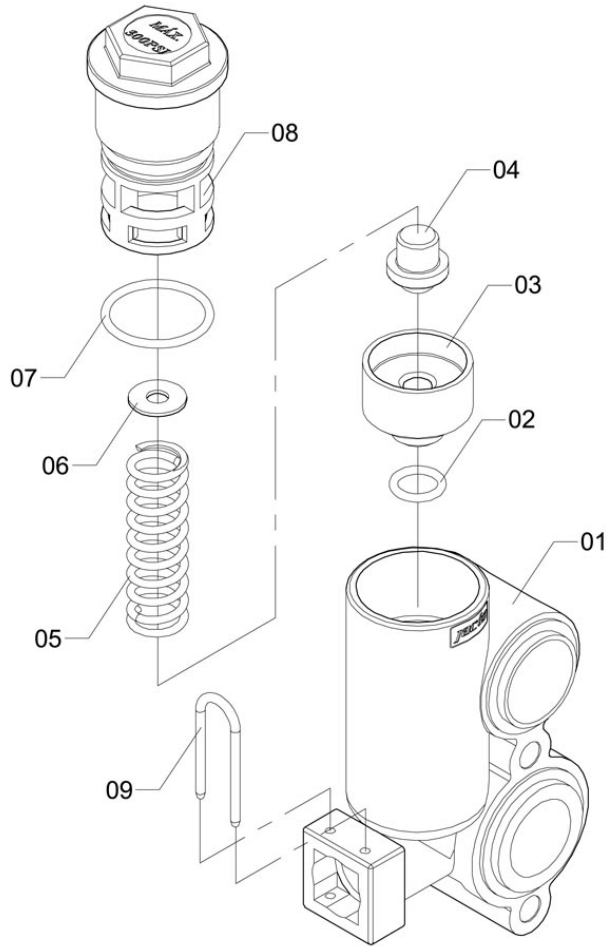


CV-637

Item	CODE	DESCRIPTION	Qty.	Item	CODE	DESCRIPTION	Qty.
00	278283	Masterflow control 2000 - 2 cables - J2000	1				
01	067074	Left support base	1				
02	067488	Right support base	1				
03	071357	Actuator base	1				
04	071779	Identification plate	1				
05	810689	Hex nut - M6 x 1 - CL. 8	8				
06	818088	Flat washer - 7.1 x 15.9 x 1.6 - steel	4				
07	829507	Hex head bolt - M6 x 1 x 16 - CL. 8.8	4				
08	095489	Stud bolt - M6 x 150 x 1.00	2				
09	195453	Masterflow Control 2000 - 2x2 Lever and cable	1				
10	262725	Bushing - 7 x 20.6	4				
11	268615	Sticker	1				
12	521666	Locking washer - 6 - steel	8				
13	358267	Flat washer 64 x 125 x 16	4				

Controlled copy – Distribution and reproduction prohibited

SAFETY VALVE

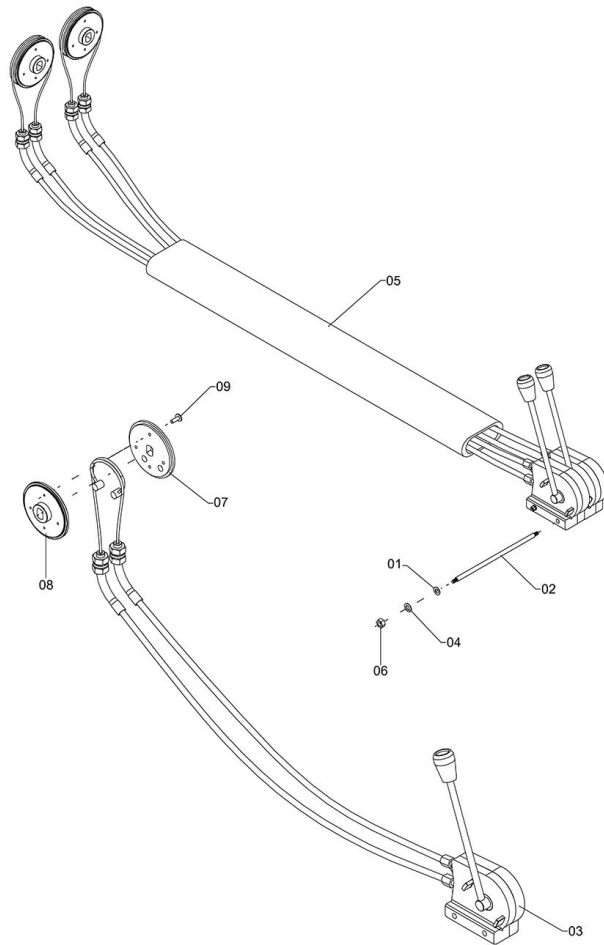


CV-85

Item	CODE	DESCRIPTION	Qty.	Item	CODE	DESCRIPTION	Qty.
00	998138	Safety valve	1				
01	079111	Safety valve body	1				
02	325290	Sealing ring - OR1-112	1				
03	868364	Safety valve seat	1				
04	985127	Seal insert	1				
05	422600	Compression spring	1				
06	712554	Flat washer 68 x 160 x 12.4	1				
07	928754	Sealing ring - OR2-123	1				
08	866244	Safety valve cover	1				
09	868646	U-clamp for pressure gauge	1				

Controlled copy – Distribution and reproduction prohibited

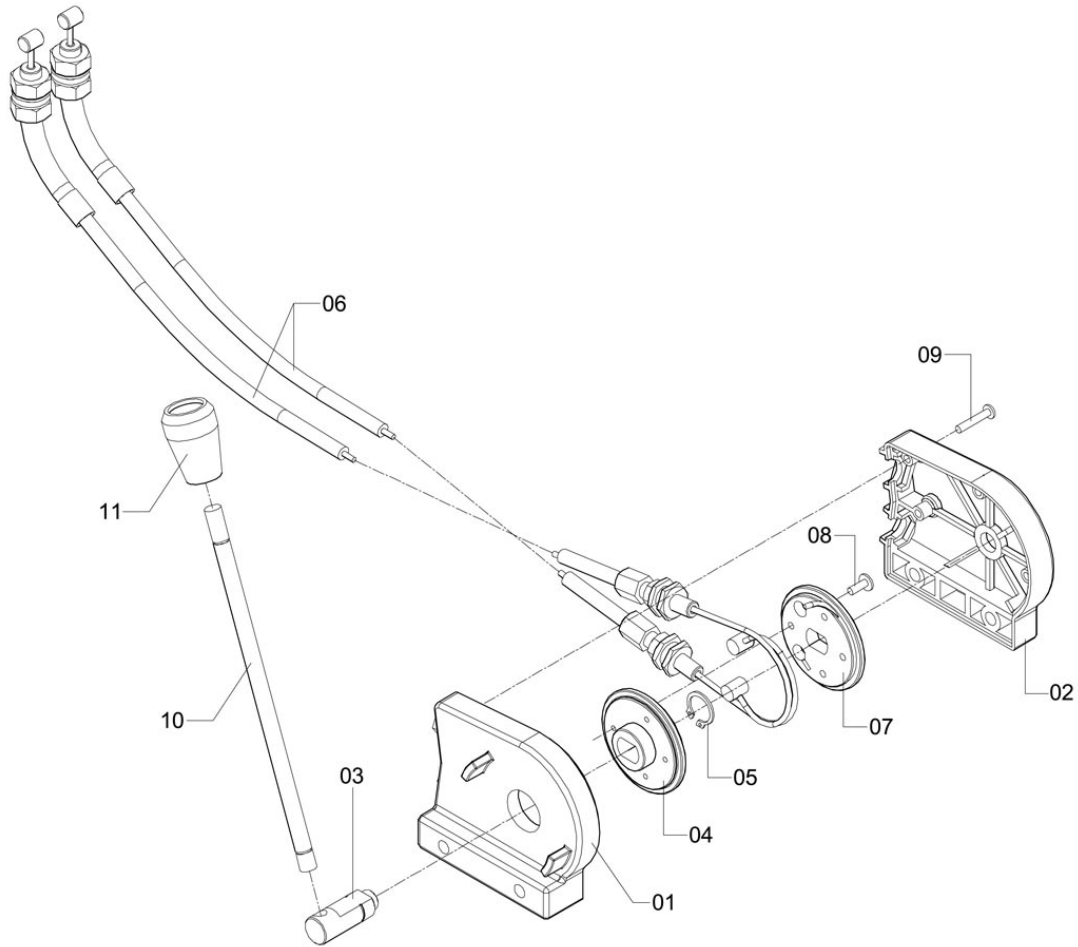
CABLE ACTUATION BOX



CV-635

Item	CODE	DESCRIPTION	Qty.	Item	CODE	DESCRIPTION	Qty.
00	036128	Cable actuation box	1				
01	358267	Flat washer 64 x 125 x 16	4				
02	095489	Stud bolt - M6 x 150 x 1.00	2				
03	063438	Cable-operated drive box	2				
04	521666	Locking washer - 6 - steel	4				
05	074401	Protection hose - 50 x 2200	1				
06	810689	Hex nut - M6 x 1 - CL. 8	4				
07	966184	Left sheave	2				
08	966192	Right sheave	2				
09	997213	Flange head screw 3.5 x 10	8				

CABLE-OPERATED DRIVE BOX

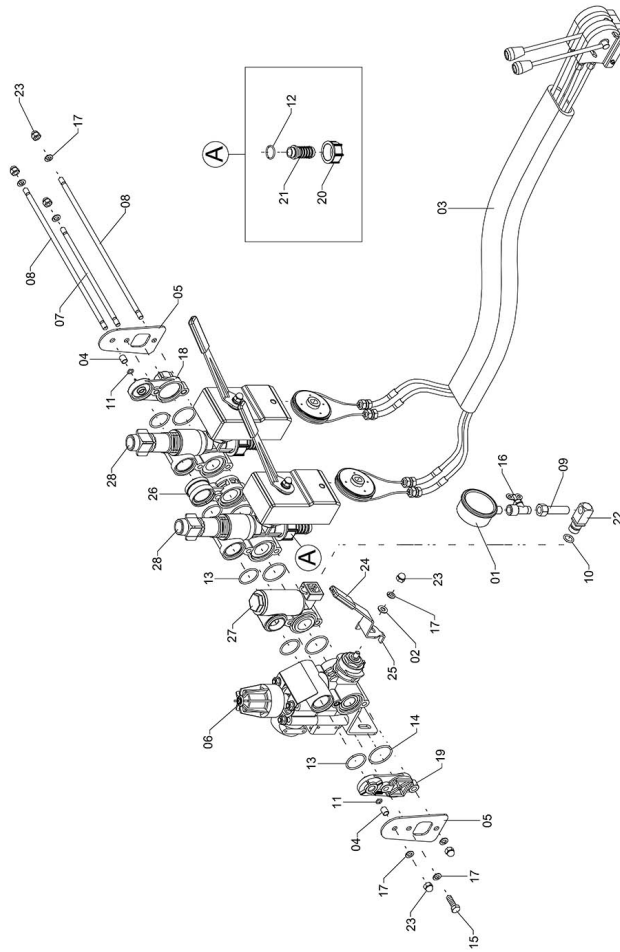


CV-87

Item	CODE	DESCRIPTION	Qty.	Item	CODE	DESCRIPTION	Qty.
00	063438	Cable-operated drive box	1				
01	879890	Box right side	1				
02	879882	Box left side	1				
03	879841	Sheave shaft	1				
04	879791	Smaller right sheave	1				
05	997239	Snap ring for shaft - 14	1				
06	061689	Control flexible cable	2				
07	879783	Smaller left sheave	1				
08	997213	Flange head screw 3.5 x 10	4				
09	878769	Pan head screw - 3.5 x 20	4				
10	879825	Lever rod	1				
11	998468	Knob	1				

Controlled copy – Distribution and reproduction prohibited

MASTERFLOW CONTROL / CABLE - 2 WAYS

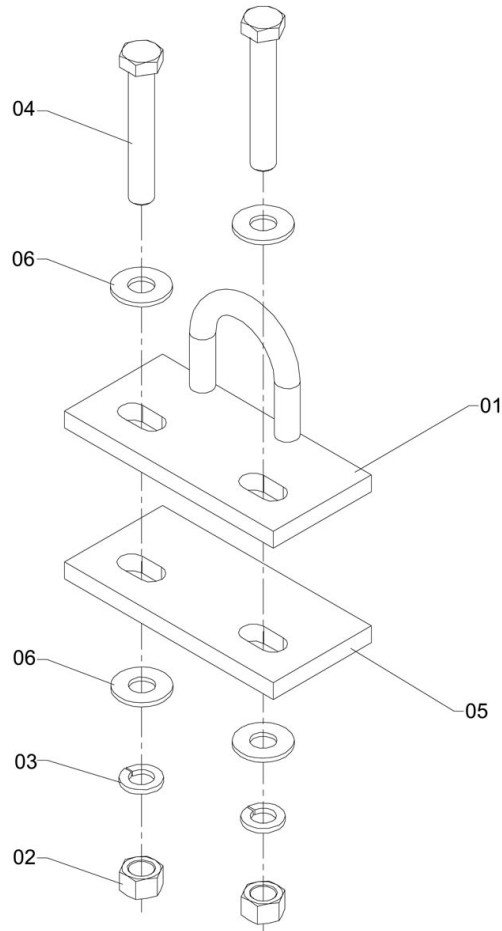


CV-684

Item	CODE	DESCRIPTION	Qty.	Item	CODE	DESCRIPTION	Qty.
00	1223361	Masterflow control / cable - 2 ways	1				
01	009803	Glycerin- filled pressure gauge - 300 kgf/cm	1				
02	013433	Flat washer - 8.4 x 16 x 1.6 steel	1				
03	036128	Cable actuation box	1				
04	055764	Bushing	2				
05	057349	Support	2				
06	071225	Manual quick relief assembly	1				
07	168245	Stud bolt - M8 x 232 x 1.25 - Stainless steel	1				
08	168252	Stud bolt - M8 x 335 x 1.25 - Stainless steel	2				
09	220699	Pressure gauge extension	1				
10	244459	Sealing ring - OR1-113	1				
11	322040	Sealing ring - ORI-011	2				
12	322057	Sealing ring - OR1-114	2				
13	420364	Sealing ring - "O-ring" 31.0 x 3.00N	6				
14	420455	Ring - 37.5 NITR 70 VEDABR S 11477	6				
15	448233	Bolt - M8 x 30 x 1.25	1				
16	507319	Needle valve for pressure gauge	1				
17	519736	Locking washer - 8	7				
18	866004	Right cover	1				
19	866012	Left cover	1				
20	867044	Nut for branch outlet	2				
21	867085	Fitting - 1/2" with flange 23.6	2				
22	868638	Pressure gauge support pin	1				
23	945832	Blind hex nut - M8 x 1.0	6				
24	945964	Control lever handle	1				
25	945972	Right lever - 60°	1				
26	976761	Small spacer	1				
27	998138	Safety valve	1				
28	999540	Nozzle branch assembly - cable with sensor	2				

Controlled copy – Distribution and reproduction prohibited

TIGHTENING PLATE

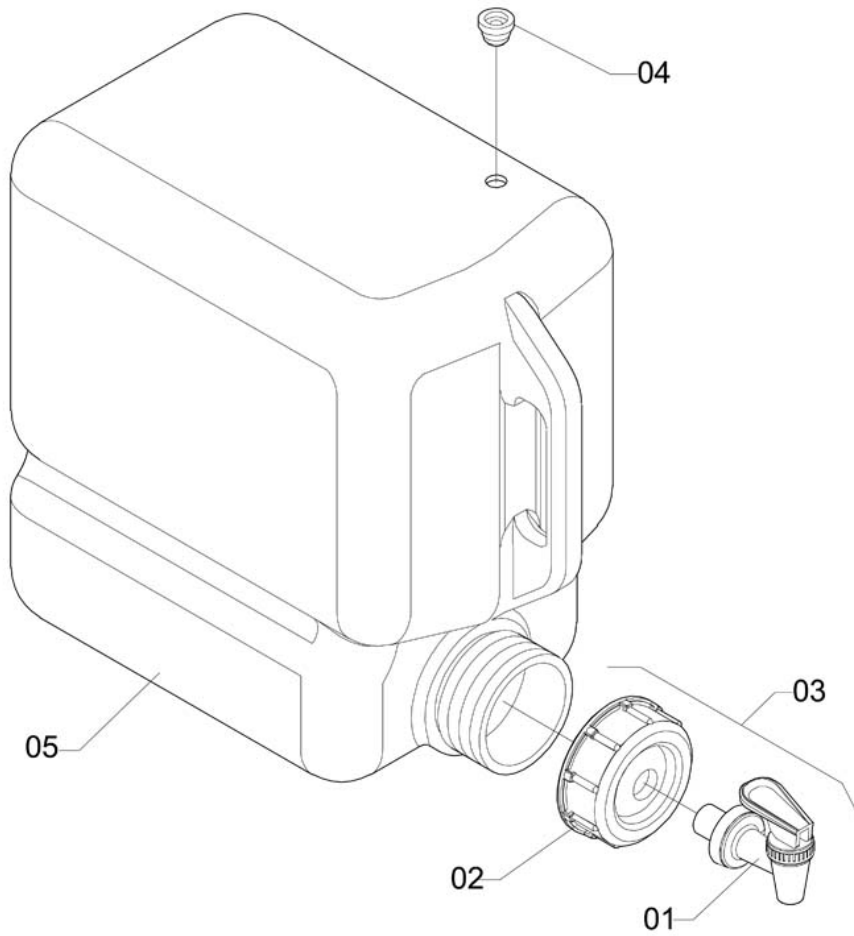


CXA-283

Item	CODE	DESCRIPTION	Qty.	Item	CODE	DESCRIPTION	Qty.
00	673798	Tightening plate	1				
01	118208	Chain positioner	1				
02	742015	Nut - M16 x 1.50	2				
03	764142	Locking washer - M16	2				
04	764225	Bolt - M16 x 90 x 2.00	2				
05	819680	Positioner fastening plate	1				
06	881300	Flat washer - 17.0 x 38.0 x 3.0 - steel	4				

Controlled copy – Distribution and reproduction prohibited

15-LITER TANK ASSEMBLY

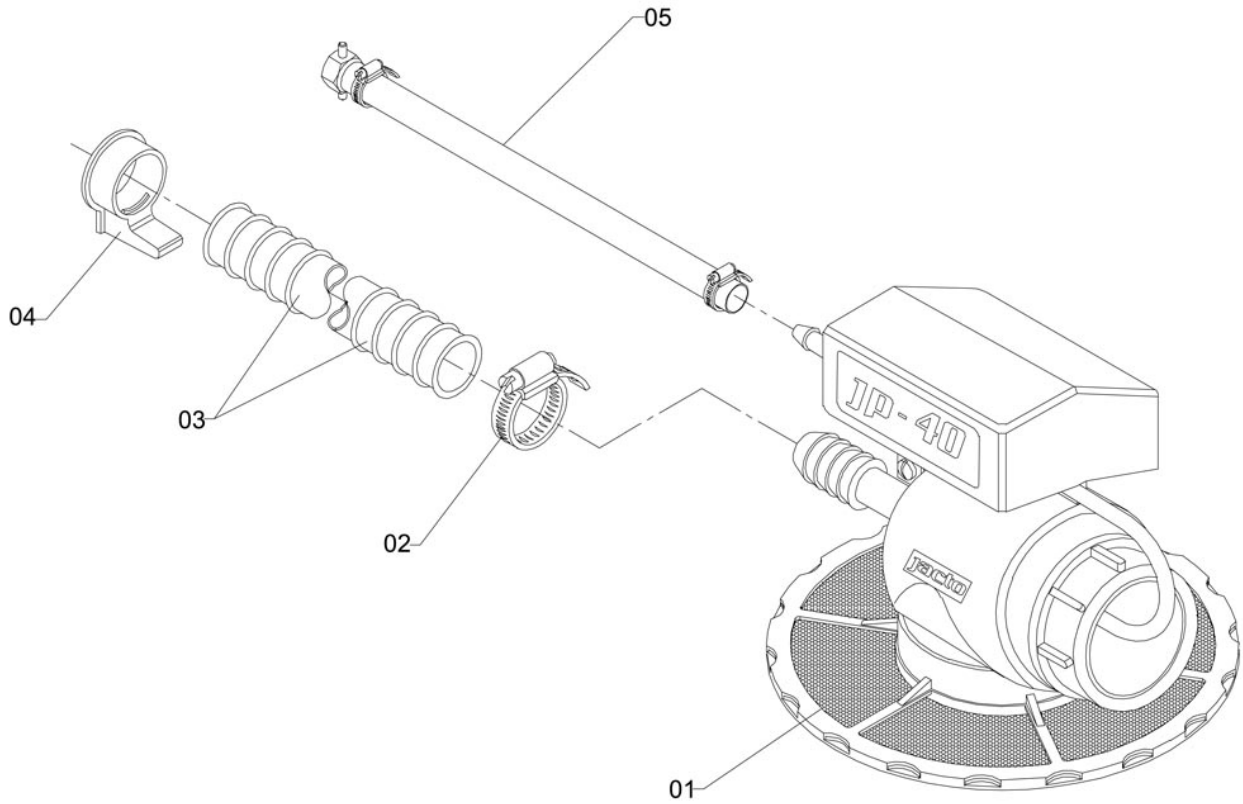


D-114

Item	CODE	DESCRIPTION	Qty.	Item	CODE	DESCRIPTION	Qty.
00	299768	15-liter tank assembly	1				
01	044180	Plastic tap - 23 x 3/8" BSP	1				
02	557462	Cover	1				
03	619064	Cover with tap	1				
04	247270	Breather	1				
05	299875	15 liter tank	1				

Controlled copy – Distribution and reproduction prohibited

EJECTOR - 40 L/MIN WITH 10-M HOSE

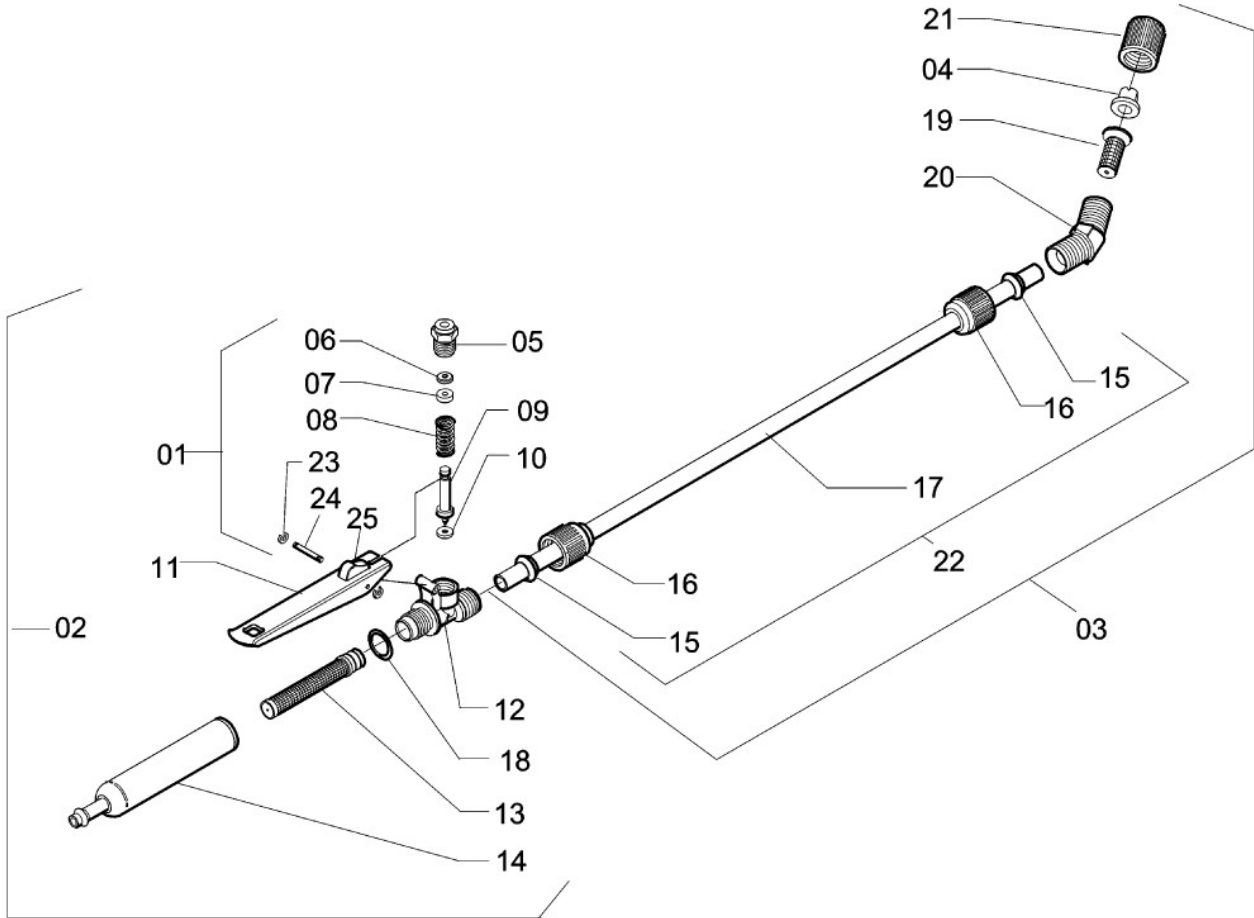


A-53

Item	CODE	DESCRIPTION	Qty.	Item	CODE	DESCRIPTION	Qty.
00	1227928	Ejector - 40 L/min with 10-m hose	1				
01	913400	Ejector - 40 L/min without hose	1				
02	911115	Clamp - D32-44 - stainless steel	1				
03	457895	Hose - 1.1/4" x 10000	1				
04	455006	Hose bracket	1				
05	1227908	Hose assembly - 3/8" x 10	1				

Controlled copy – Distribution and reproduction prohibited

SPRAY LANCE ASSEMBLY

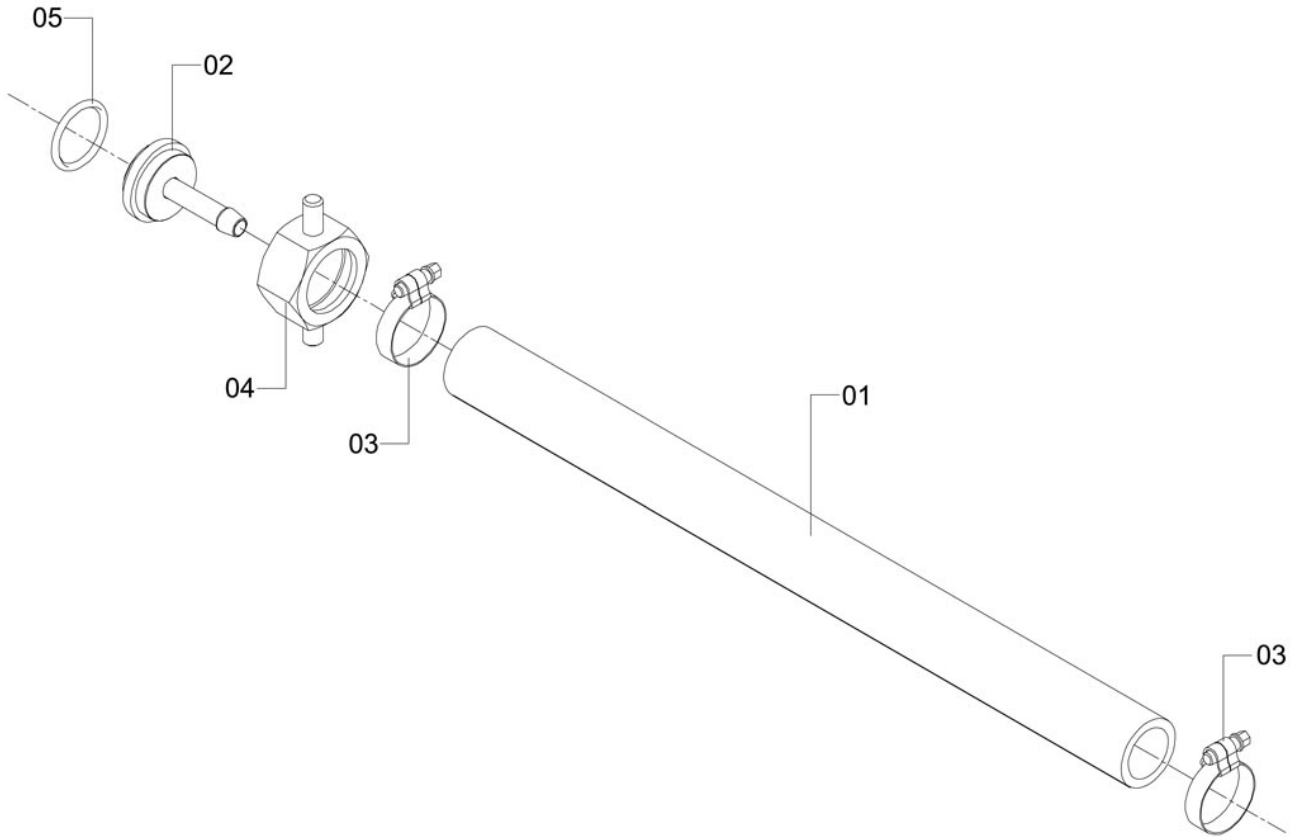


L-9

Item	CODE	DESCRIPTION	Qty.	Item	CODE	DESCRIPTION	Qty.
00	877522	Spray lance assembly	1				
01	105239	Needle assembly	1				
02	727727	Valve assembly	1				
03	877530	Lance - 610	1				
04	454249	Nozzle - EF-04 (red)	1				
05	727693	Plug - M-14	1				
06	300764	Seal 9.6 x 5.0 x 35	1				
07	300756	Support ring	1				
08	904284	Compression spring	1				
09	103358	Needle	1				
10	300731	Seal 30 x 88 x 25	1				
11	725275	Trigger valve lever	1				
12	724393	Valve body	1				
13	825653	Filter - 12 x 90	1				
14	826958	Cable	1				
15	909309	Conical gasket	2				
16	915744	Conical nut	2				
17	336263	Spray lance tube	1				
18	120071	Sealing ring - OR1-015	1				
19	592139	M40 nozzle filter	1				
20	560649	Union	1				
21	229724	Nozzle cap	1				
22	568873	Extension - (55 to 58)	1				
23	831065	Snap ring	2				
24	817858	Shaft - 3.18 x 23	1				
25	727701	Switch	1				

Controlled copy – Distribution and reproduction prohibited

HOSE ASSEMBLY - 3/8" X 5M

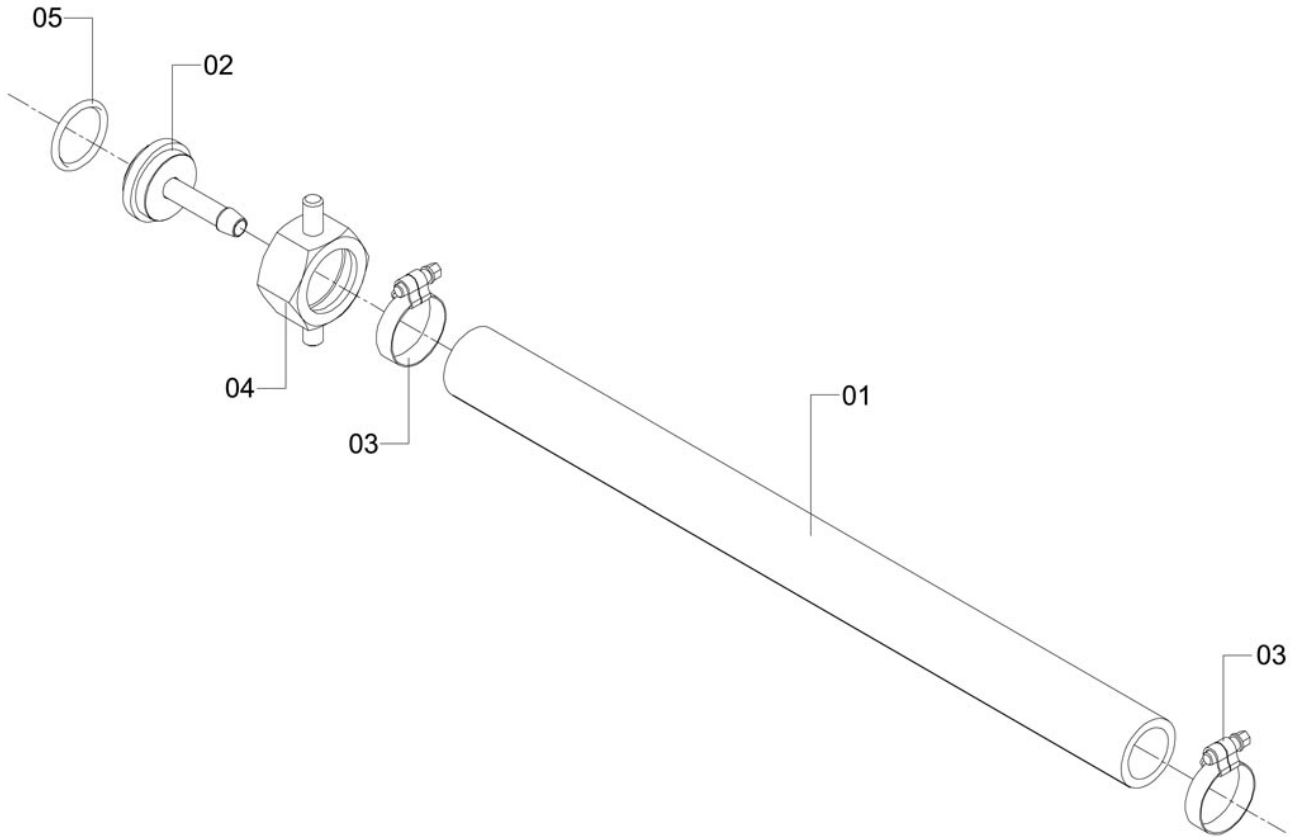


A-42

Item	CODE	DESCRIPTION	Qty.	Item	CODE	DESCRIPTION	Qty.
00	1227903	Hose assembly - 3/8" x 5m	1				
01	505883	Hose - 3/8" x 5000	1				
02	657973	Fitting for hose - 3/8"	1				
03	063370	Clamp - D11-16 - stainless steel	2				
04	421040	Wing nut - 1"	1				
05	108779	Sealing ring - OR1-118	1				

Controlled copy – Distribution and reproduction prohibited

HOSE ASSEMBLY - 3/8" X 10

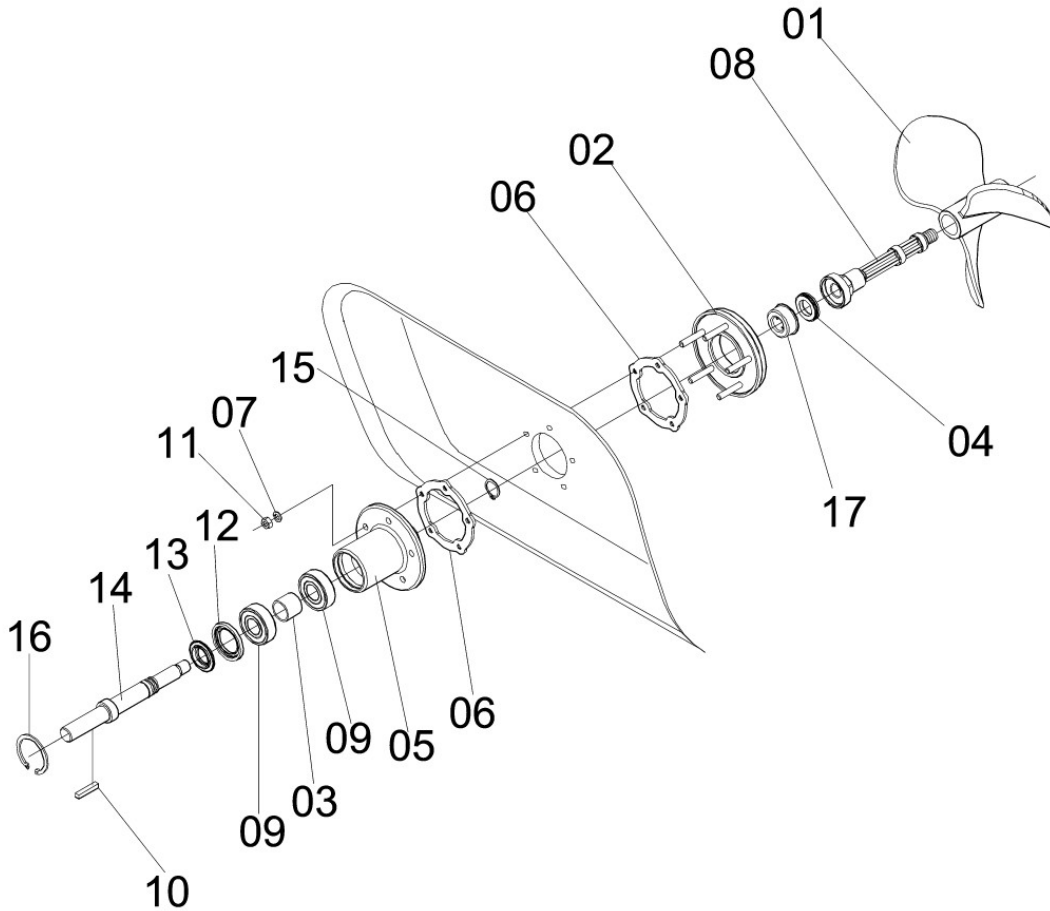


A-42

Item	CODE	DESCRIPTION	Qty.	Item	CODE	DESCRIPTION	Qty.
00	1227908	Hose assembly - 3/8" x 10	1				
01	457465	Hose - 3/8" x 10000	1				
02	657973	Fitting for hose - 3/8"	1				
03	063370	Clamp - D11-16 - stainless steel	2				
04	421040	Wing nut - 1"	1				
05	108779	Sealing ring - OR1-118	1				

Controlled copy – Distribution and reproduction prohibited

MECHANICAL AGITATOR - 2005 - 02

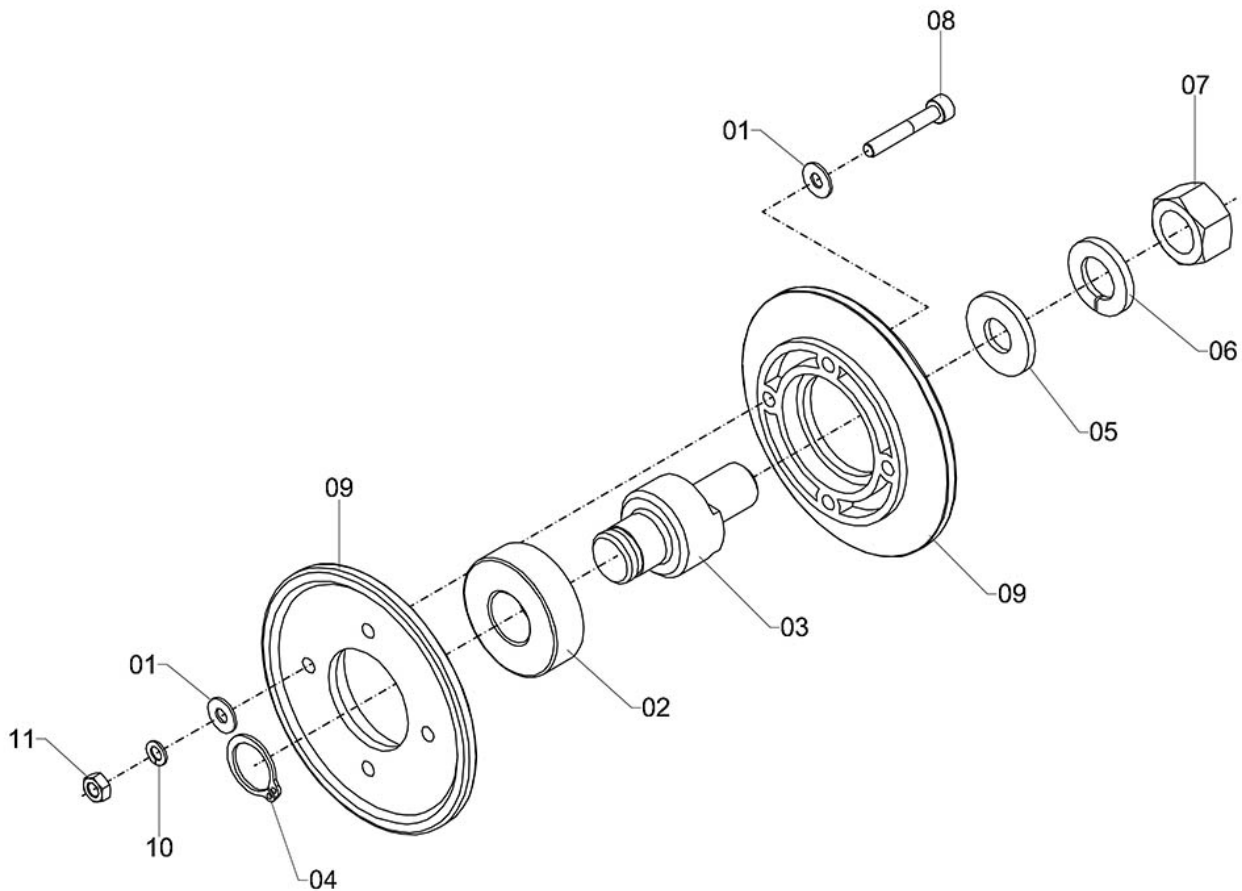


MM-27

Item	CODE	DESCRIPTION	Qty.	Item	CODE	DESCRIPTION	Qty.
00	543348	Mechanical agitator - 2005 - 02	1				
01	102848	Mechanical agitator propeller	1				
02	345272	Inner flange	1				
03	408666	Bearing spacer bushing	1				
04	418046	Ceramic ring	1				
05	513838	Agitator body	1				
06	514612	Agitator gasket	2				
07	521666	Locking washer - 6 - steel	5				
08	559849	Propeller shaft	1				
09	603522	Single row deep groove ball bearing	2				
10	419416	Square key - 3/16" x 38	1				
11	730309	Hex nut - M6 x 1.00 - Stainless steel	5				
12	838201	Bearing internal protection	1				
13	850750	Bearing external protection	1				
14	813261	Agitator shaft	1				
15	913517	Snap ring for shaft - 17	1				
16	916775	Snap ring for hole - 40	1				
17	932038	Mechanic seal - Viton 42012 - stainless steel	1				

Controlled copy – Distribution and reproduction prohibited

TIGHTENING PULLEY - 78-1A (SHAFT 15 X 50.5)

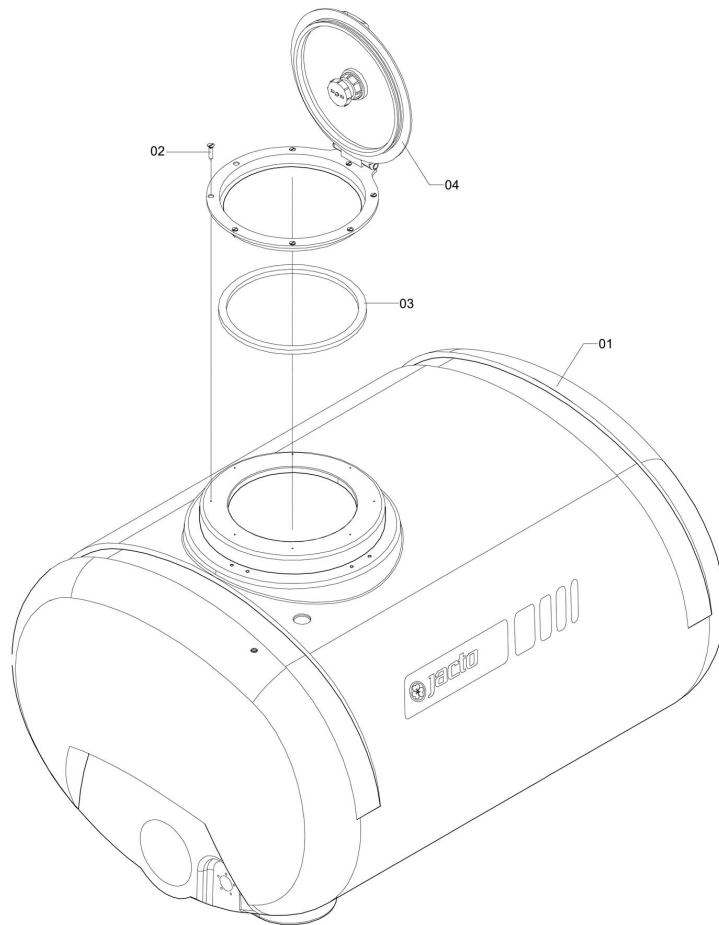


LE-14

Item	CODE	DESCRIPTION	Qty.	Item	CODE	DESCRIPTION	Qty.
00	645416	Tightening pulley - 78-1A (Shaft 15 x 50.5)	1				
01	508515	Flat washer - 4.3 x 10.2 x 0.8 - steel	8				
02	328781	Fixed bearing	1				
03	817627	Shaft - 15 x 50.5	1				
04	910851	Snap ring for shaft - 15	1				
05	818112	Flat washer - 13 x 24 x 3 - steel	1				
06	908582	Locking washer - 1/2"	1				
07	912790	Hex nut - 1/2" - 13 UNC	1				
08	1148396	Bolt - M4 x 0.7 - 25 MM	4				
09	644641	Pulley disk - 78 - 1A	2				
10	520700	Locking washer - 4.3 x 7.1 x 1	4				
11	551523	Hex nut - M-4 x 0.7 - Stainless steel	4				

Controlled copy – Distribution and reproduction prohibited

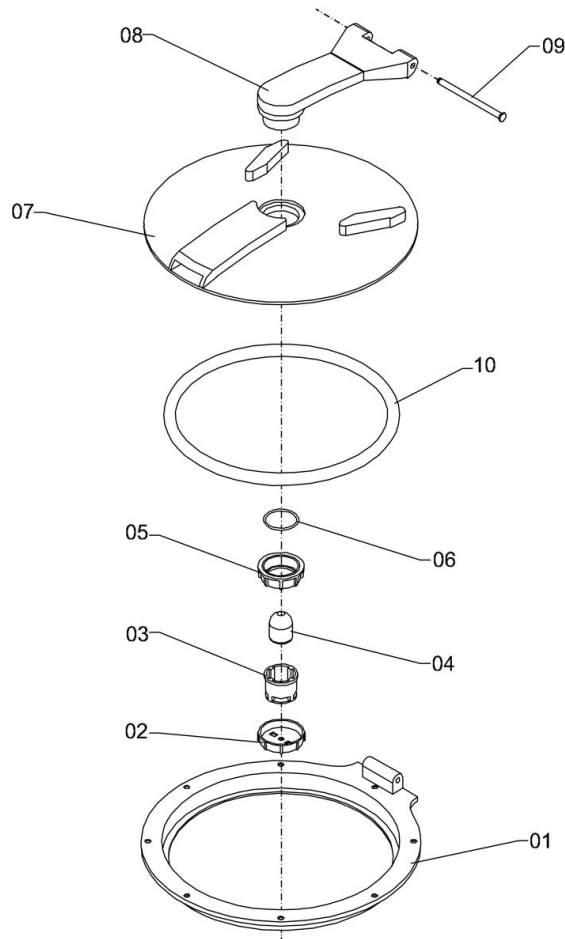
2,000-LITER TANK - PLASTIC



D-171

Item	CODE	DESCRIPTION	Qty.	Item	CODE	DESCRIPTION	Qty.
00	466706	2,000-liter tank - plastic	1				
01	191734	2,000-liter tank	1				
02	062968	Slotted self-tapping screw	8				
03	068014	Seal for cover - ARAG	1				
04	752949	Cover assembly with ring - NBR	1				

COVER ASSEMBLY WITH RING - NBR

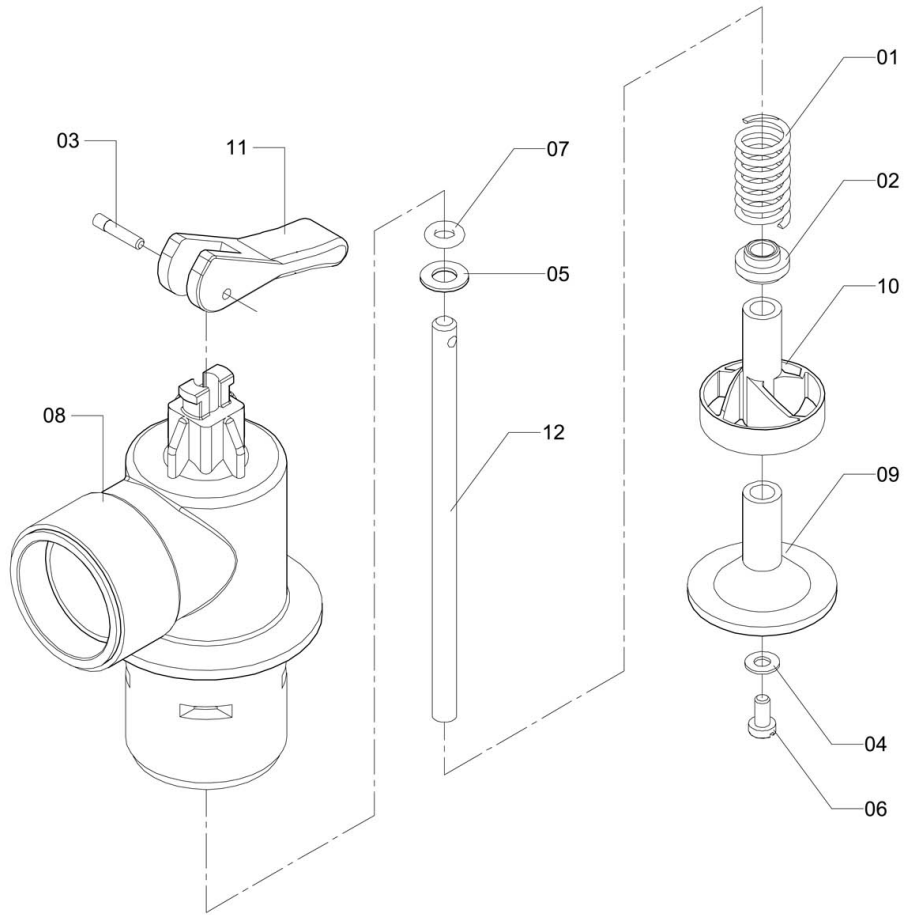


D-133

Item	CODE	DESCRIPTION	Qty.	Item	CODE	DESCRIPTION	Qty.
00	752949	Cover assembly with ring - NBR	1				
01	870279	Lid seat	1				
02	870295	Deflector	1				
03	870261	Breather	1				
04	870253	Float	1				
05	870287	Tightening nut	1				
06	870220	Sealing ring	1				
07	870238	Cover	1				
08	870204	Lid articulator	1				
09	870212	Articulation pin	1				
10	994863	Sealing ring - 367 x 6.99	1				

Controlled copy – Distribution and reproduction prohibited

DIRECTIONAL VALVE

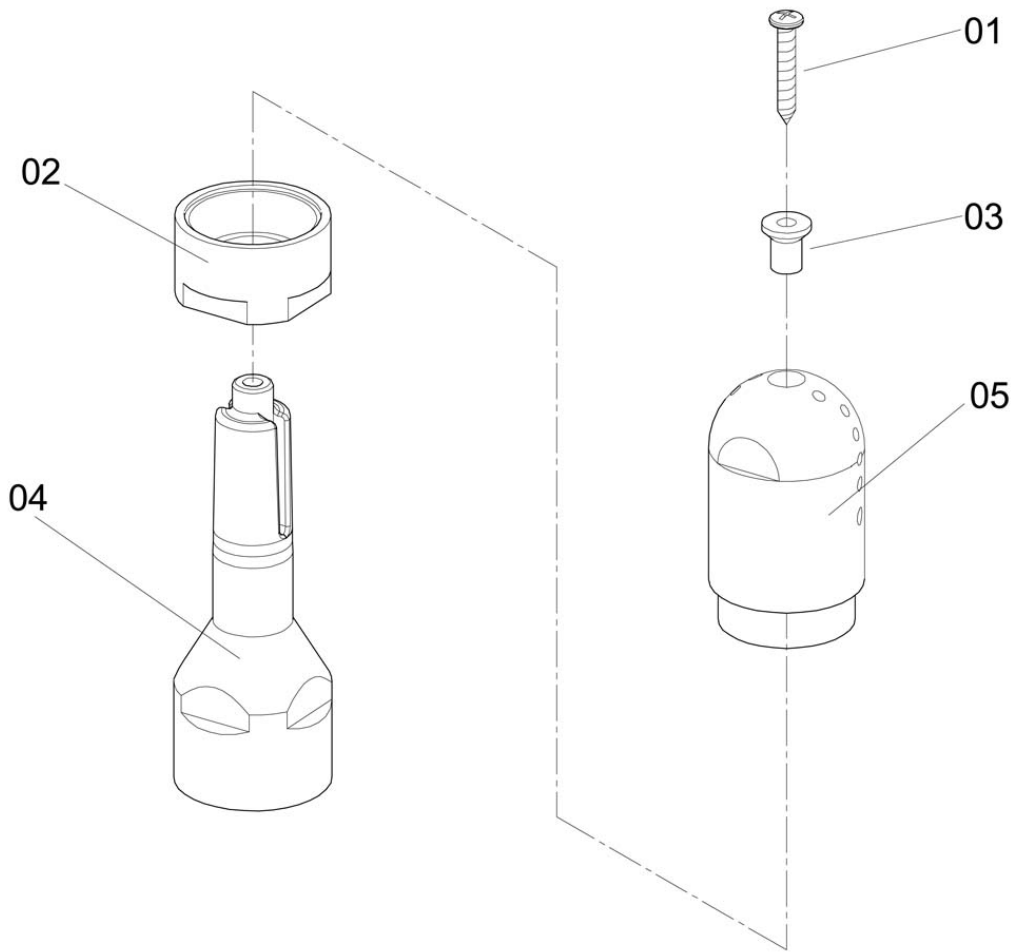


CV-167

Item	CODE	DESCRIPTION	Qty.	Item	CODE	DESCRIPTION	Qty.
00	054395	Directional valve	1				
01	044057	Compression spring - 12.7	1				
02	048199	Seal	1				
03	049858	Lever pin	1				
04	050187	Flat washer - 4.3 x 9 x 0.8 - stainless steel	1				
05	050195	Flat washer - 64 x 125 x 95 - stainless steel	1				
06	050211	Slotted bolt - M4 x 8	1				
07	050237	Sealing ring - OR2-108	1				
08	054403	Valve body	1				
09	054429	Piston	1				
10	054437	Guide	1				
11	054445	Rinse nozzle lever	1				
12	054452	Spring Guide Pin	1				

Controlled copy – Distribution and reproduction prohibited

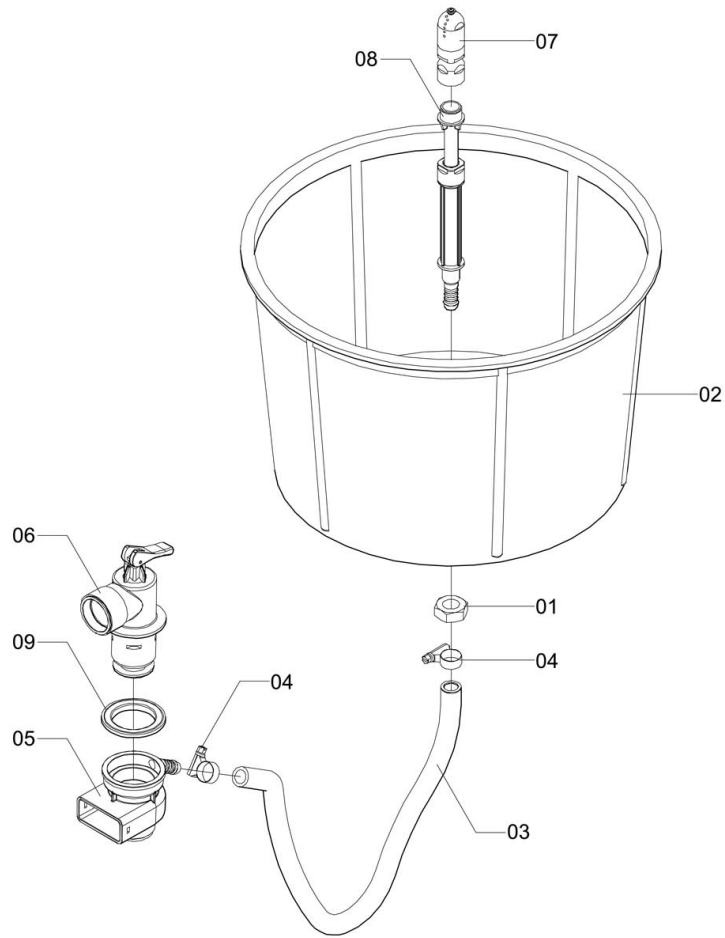
RINSE NOZZLE



KIT-75

Item	CODE	DESCRIPTION	Qty.	Item	CODE	DESCRIPTION	Qty.
00	071944	Rinse nozzle	1				
01	997197	Pan head screw - 3.0 x 16	1				
02	059055	Nozzle nut	1				
03	061119	Bushing	1				
04	058909	Nozzle core	1				
05	060426	Nozzle body	1				

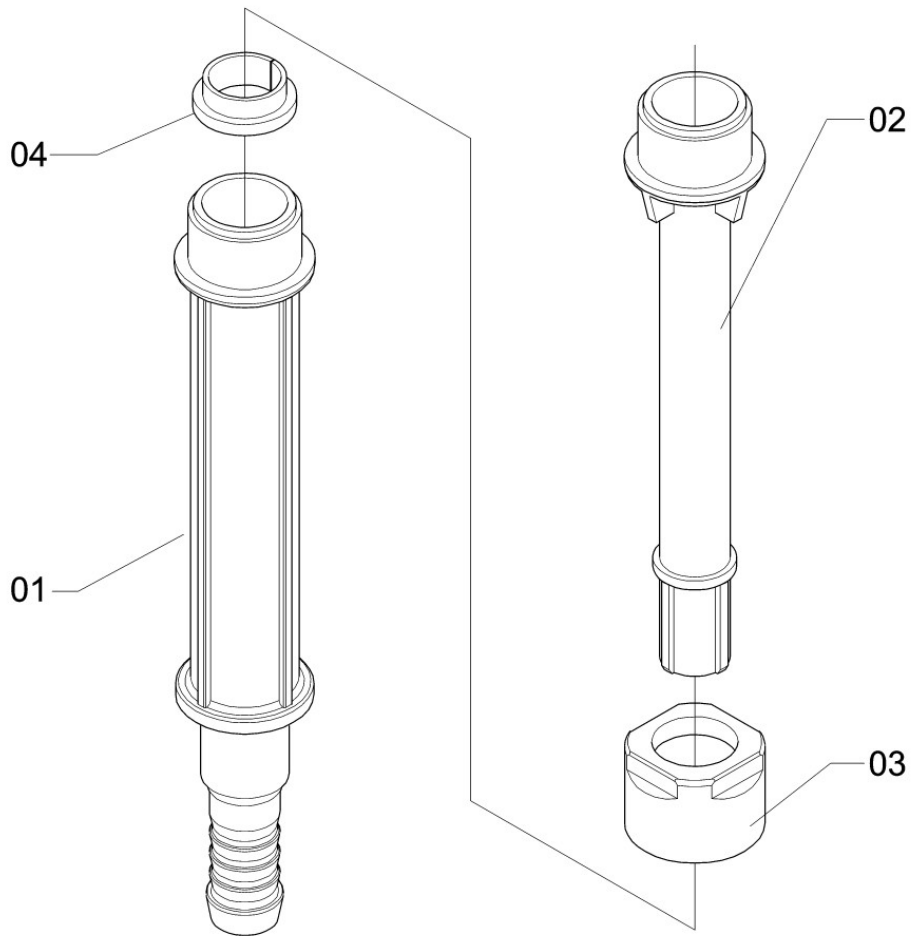
CHEMICAL CONTAINER CLEANING NOZZLE



KIT-24

Item	CODE	DESCRIPTION	Qty.	Item	CODE	DESCRIPTION	Qty.
00	134239	Chemical container cleaning nozzle	1				
01	938498	Hex nut - M16 x 2.00	1				
02	134007	Strainer	1				
03	071886	Hose - 12.7 (1/2") x 600	1				
04	107664	Clamp D14-22 - stainless steel	2				
05	054411	Valve fastener	1				
06	054395	Directional valve	1				
07	071944	Rinse nozzle	1				
08	088237	Chemical container cleaning nozzle rod	1				
09	088245	Sealing ring	1				

CHEMICAL CONTAINER CLEANING NOZZLE ROD

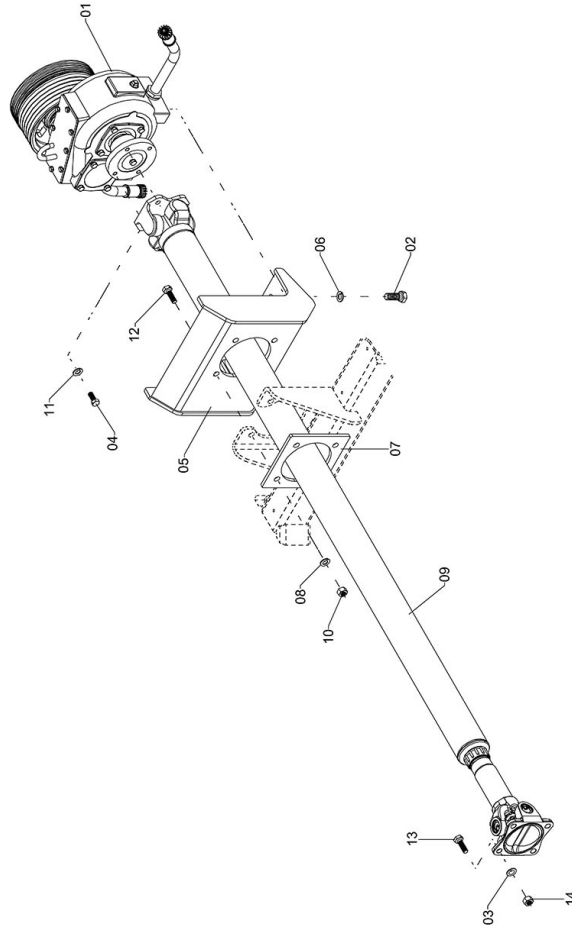


KIT-76

Item	CODE	DESCRIPTION	Qty.
00	088237	Chemical container cleaning nozzle rod	1
01	058834	Nozzle rod	1
02	083907	Rod extension	1
03	087882	Extension nut	1
04	134221	Retaining ring	1

Item	CODE	DESCRIPTION	Qty.

MOTOR TRANSMISSION

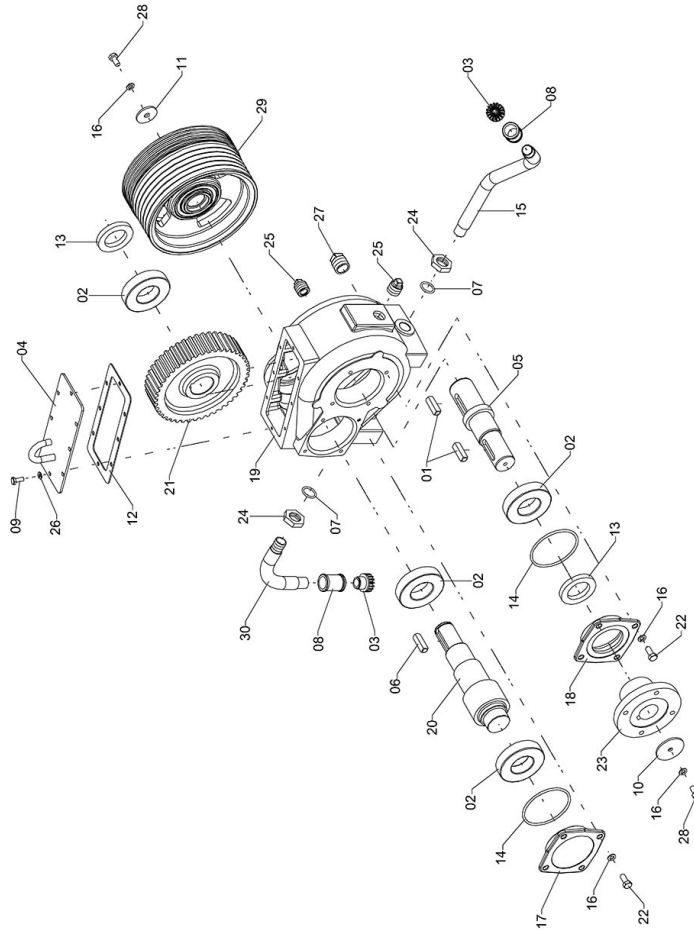


TMT-292

Item	CODE	DESCRIPTION	Qty.	Item	CODE	DESCRIPTION	Qty.
00	173948	Motor transmission	1				
01	278267	Multiplier gearbox with pulley	1				
02	520205	Bolt - 1/2"- 13 UNC x 1.1/4"- 5 degree	4				
03	623884	Flat washer - 10.5 x 21 x 3 - stainless steel	4				
04	757559	Hex bolt - M10 x 30 x 1.25	4				
05	173955	Mutiplier gearbox base	1				
06	908582	Locking washer - 1/2"	4				
07	173997	Reinforcement plate	1				
08	209163	Locking washer - M12	4				
09	173989	Drive shaft - 1880	1				
10	427013	Hex nut - M12 x 1.5 - CL. 8	4				
11	209395	Locking washer - M10 - steel	4				
12	383802	Hex bolt - M12 x 40 x 1.50	4				
13	168054	Hex bolt - M10 x 40 x 1.25	4				
14	362368	Nylon-insert lock nut - - M10 x 1.25	4				

Controlled copy – Distribution and reproduction prohibited

MULTIPLIER GEARBOX WITH PULLEY

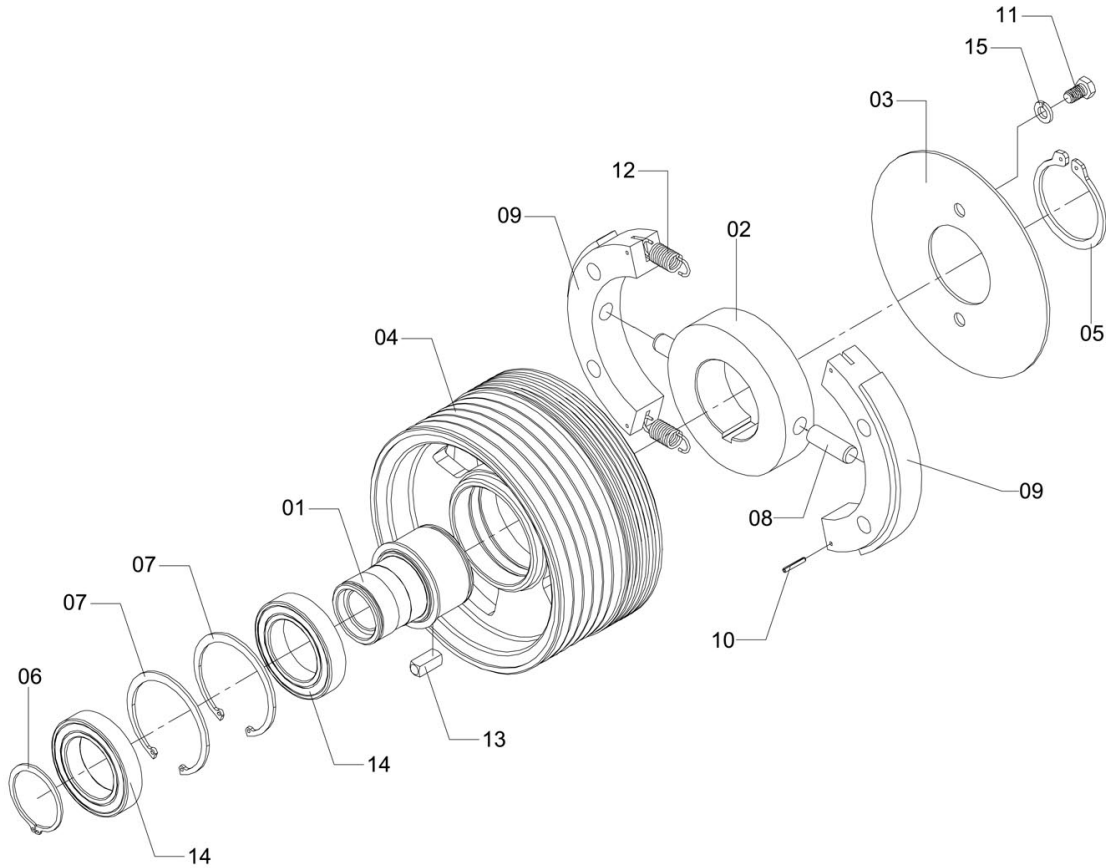


CM-10

Item	CODE	DESCRIPTION	Qty.	Item	CODE	DESCRIPTION	Qty.
00	278267	Multiplier gearbox with pulley	1	30	175307	Drain Duct	1
01	108936	Square key 9.53 (3/8") x 35	2				
02	203737	Deep groove ball bearing	4				
03	213736	Plug - 1/2" BSP	2				
04	213801	Multiplier gearbox cover	1				
05	324608	Drive shaft	1				
06	324624	Square key - 7.94 (5/16") x 40	1				
07	210146	Sealing ring - OR1-117	2				
08	430553	Sleeve - 1/2" BSP	2				
09	441030	Fully treaded bolt - 1/4"- 20 UNC x 5/8"	8				
10	507665	Flat washer - 82 x 506 x 30	1				
11	507855	Flat washer - 103 x 375 x 30	1				
12	114439	Gasket	1				
13	516567	Retainer - 40 x 62 x 7	2				
14	516575	Sealing ring - OR1-235	2				
15	1198031	Filling duct	2				
16	519736	Locking washer - 8	10				
17	627737	Multiplier gearbox cover	1				
18	627745	Multiplier gearbox cover with hole	1				
19	627778	Mutiplier gearbox body	1				
20	627786	Multiplier gearbox driven shaft	1				
21	627794	Drive gear	1				
22	663153	Bolt - 5/16" - 18 UNC x 3/4"	8				
23	174003	Hub - 117	1				
24	715722	Lock nut - 1/2" - 14 BSP	2				
25	812057	Plug - 1/2" BSP	2				
26	910117	Locking washer - 1/4"	8				
27	910687	Plug - 3/4" BSP	1				
28	910794	Bolt - 5/16"- 24 UNF x 5/8"	2				
29	174011	Drive Pulley with Gear	1				

Controlled copy – Distribution and reproduction prohibited

DRIVE PULLEY WITH GEAR

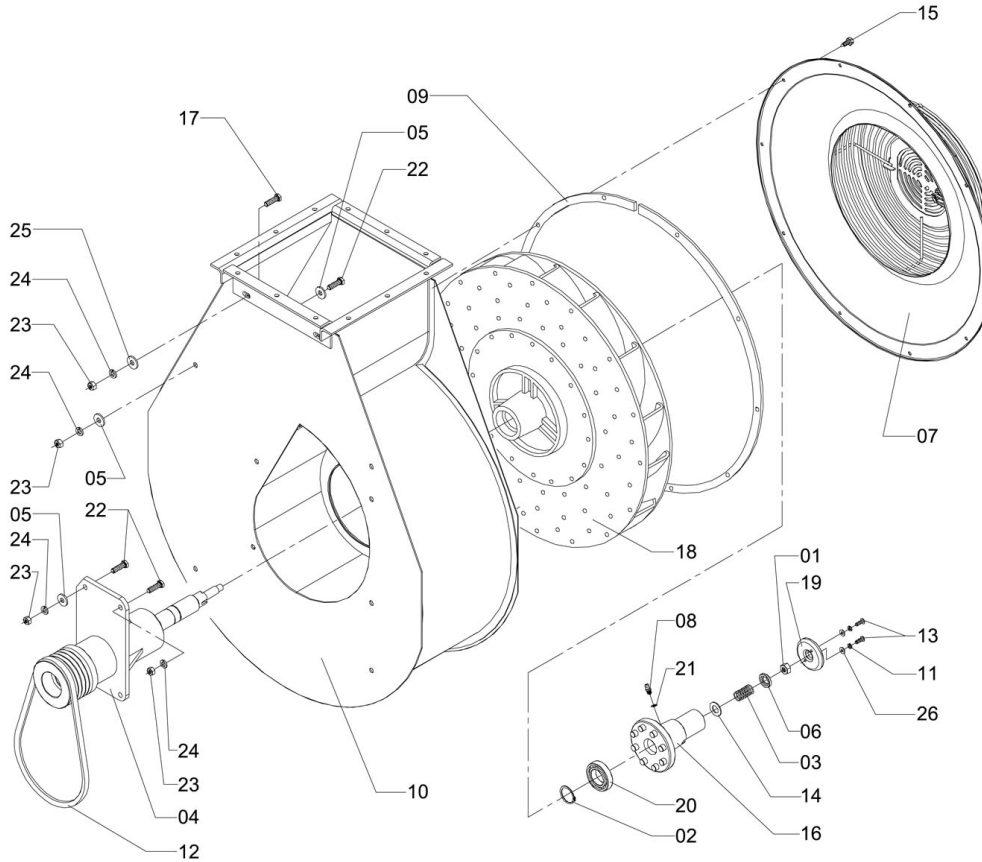


TMT-291

Item	CODE	DESCRIPTION	Qty.	Item	CODE	DESCRIPTION	Qty.
00	174011	Drive Pulley with Gear	1				
01	174029	Driven shaft bushing	1				
02	174037	Drag hub (hole 65)	1				
03	174045	Protection Disk	1				
04	174052	Pulley - 200 - 6 - 3V	1				
05	174078	Snap ring for shaft - 65	1				
06	203729	Snap ring for shaft - 50	1				
07	324145	Elastic ring - 502080	2				
08	435438	Pin - 40	2				
09	435578	centrifugal braking driver	2				
10	917369	Heavy elastic pin - 3 x 22	4				
11	910620	Hex bolt - 3/8" - 16 UNC x 5/8"	2				
12	728923	Tension spring	2				
13	814210	Square key - 3/8" x 25	1				
14	839514	Deep groove ball bearing	2				
15	908566	Locking washer - 3/8"	2				

Controlled copy – Distribution and reproduction prohibited

FAN

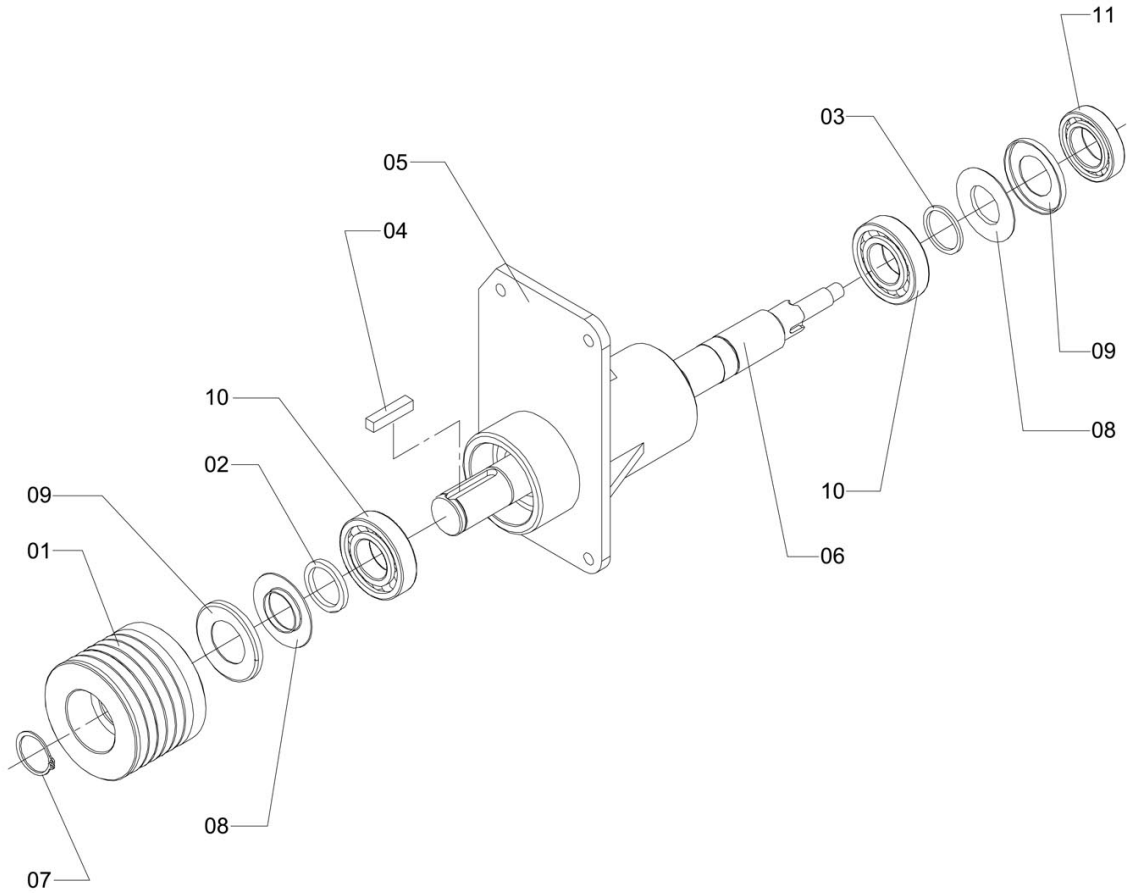


V-40

Item	CODE	DESCRIPTION	Qty.	Item	CODE	DESCRIPTION	Qty.
00	174086	Fan	1				
01	108787	Nut - DODI-LOC 1/2" - 13 U	1				
02	203067	Snap ring for shaft - 35	1				
03	204537	Compression spring	1				
04	265413	Fan bearing housing assembly	1				
05	416735	Flat washer 100 x 260 x 30	16				
06	425892	Spring thrust ring	1				
07	434084	Fan housing cover	1				
08	111245	Grease nipple - 1/4" x 28 UNF x 45	1				
09	518100	Gasket - 15 x 2000 x 8.00	1				
10	518605	Fan housing	1				
11	520676	Locking washer - 5	2				
12	615815	Trapeze belt	6				
13	007179	Bolt - 3/16" UNC x 5/8"	2				
14	881243	Flat washer - 17 x 30 x 1.9 - steel	1				
15	910745	Self-tapping bolt - 1/4" x 3/4"	10				
16	177055	Splined hub with hitch	1				
17	936146	Hex bolt - M10 x 1.25 x 35 - CL. 8.8	4				
18	989129	Fan rotor	1				
19	201087	Disk - 70	1				
20	202549	Deep groove ball bearing	1				
21	731083	Ring - 6.45 x 7.94 x 2	1				
22	757559	Hex bolt - M10 x 30 x 1.25	16				
23	907030	Nut - M10 x 1.25	16				
24	209395	Locking washer - M10 - steel	16				
25	623884	Flat washer - 10.5 x 21 x 3 - stainless steel	4				
26	979237	Flat washer - 5.3 x 10 x 1	2				

Controlled copy – Distribution and reproduction prohibited

FAN BEARING HOUSING HOUSING ASSEMBLY

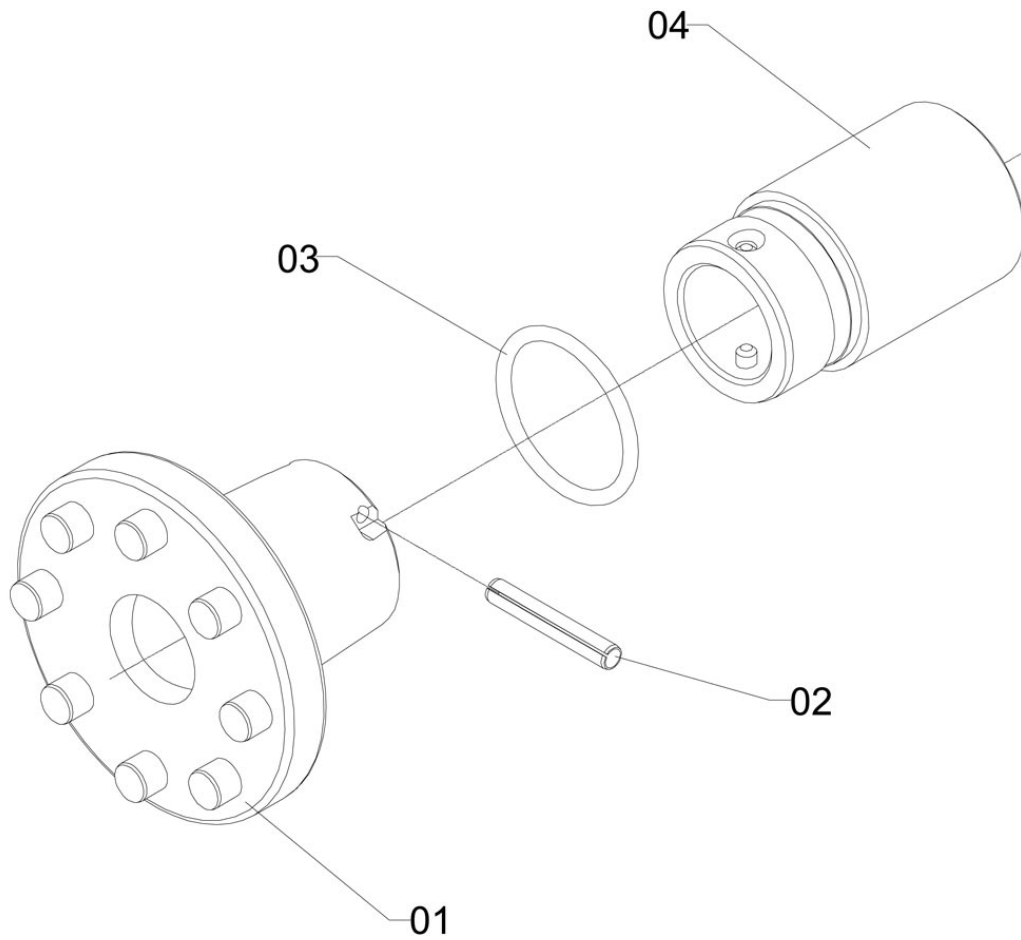


TMV-91

Item	CODE	DESCRIPTION	Qty.	Item	CODE	DESCRIPTION	Qty.
00	265413	Fan bearing housing housing assembly	1				
01	174094	Pulley - 105 - 6 - 3V	1				
02	518118	Spacer ring	1				
03	518126	Spacer ring - 42.2 x 2.7	1				
04	519793	Square key - 9.53 (3/8") x 45	1				
05	820324	Bearing housing body	1				
06	984187	Shaft - 446	1				
07	203067	Snap ring for shaft - 35	1				
08	328039	Internal protection	2				
09	328047	External protection	2				
10	328062	Bearing no. 6207 SKF	2				
11	202549	Deep groove ball bearing	1				

Controlled copy – Distribution and reproduction prohibited

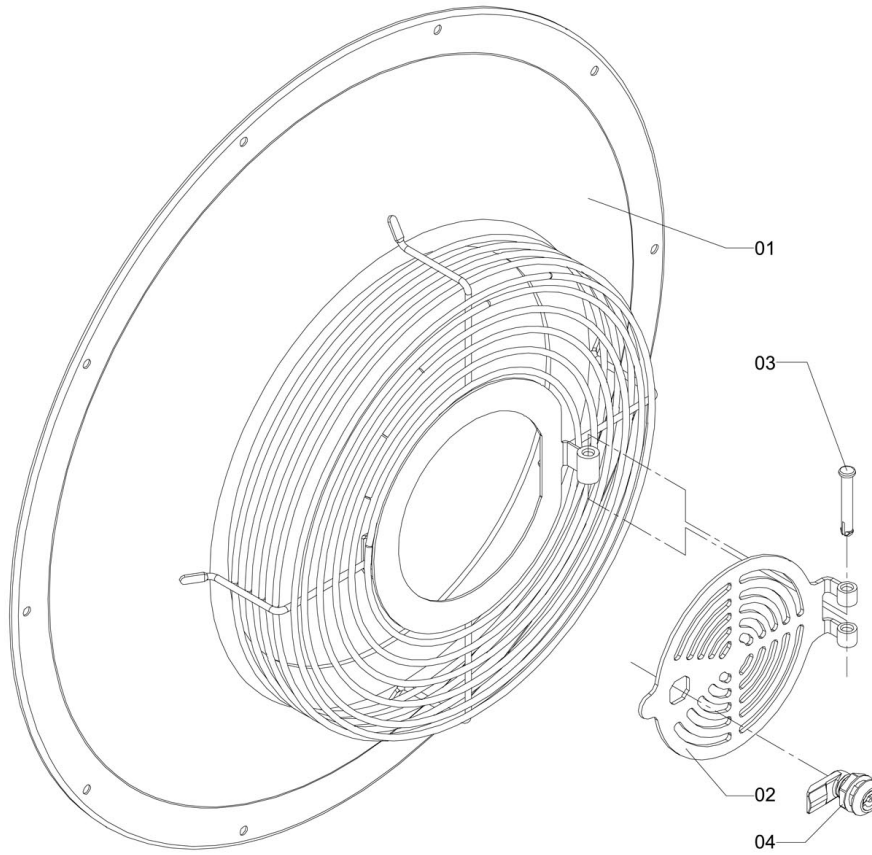
SPLINED HUB WITH HITCH



TMV-52

Item	CODE	DESCRIPTION	Qty.	Item	CODE	DESCRIPTION	Qty.
00	177055	Splined hub with hitch	1				
01	018713	Splined hub with 6 splines with pins	1				
02	427567	Elastic pin - 5 x 32	1				
03	011643	Sealing ring - OR1-129	1				
04	201103	Coupling hub	1				

FAN HOUSING COVER



V-41

Item	CODE	DESCRIPTION	Qty.	Item	CODE	DESCRIPTION	Qty.
00	434084	Fan housing cover	1				
01	018457	Fan housing cover	1				
02	1165899	Grid unlock	1				
03	847912	Agrochemical mixer articulator pin	1				
04	1169820	Plastic stop latch key	1				

Controlled copy – Distribution and reproduction prohibited

STICKER - DRAWBAR ADJUSTMENT - SPANISH

01



CUIDADO

**REGULACIÓN DE LA BARRA DE TRACCIÓN
EN RELACIÓN CON LA TOMA DE FUERZA**



MONTAJE IDEAL: Distancia A=B o lo más próximo posible. Ej.: Si A=40cm, B=35 a 45cm.
 Cardán Homocinético: Montaje B: lo menor posible (Barra de tracción recogida "D");
 Montaje A: lo mayor posible (pieza C toda montada hacia fuerza).



Holgura necesaria después de la regulación de la barra de tracción (cortar el macho, la hembra y la tapa protectora proporcionalmente).

SI SU EQUIPO NO CUENTA CON CARDÁN HOMOCINÉTICO, DESCONECTE LA TOMA DE FUERZA AL HACER MANIOBRAS O CURVAS.

ADS-141

Item	CODE	DESCRIPTION	Qty.	Item	CODE	DESCRIPTION	Qty.
00	219717	Sticker - Drawbar adjustment - Spanish	1				
01	219717	Sticker - Drawbar adjustment - Spanish	1				

STICKER - DRAWBAR ADJUSTMENT - PORTUGUESE

01

! CUIDADO

REGULAGEM DO PONTO DE ENGATE DO TRATOR EM RELAÇÃO A TOMADA DE FORÇA.



Montagem ideal, distância A=B ou mais próximo possível.
Ex.: Se A=40cm, B=35 a 45cm.
Cardan Homocinético: Montagem B: menor possível (Barra de tração recolhida "D");
Montagem A: maior possível (peça C toda montada para fora).



Folga necessária após a regulagem da barra de tração (cortar o macho, a fêmea e a capa protetora proporcionalmente).


CASO SUA MÁQUINA NÃO ESTEJA EQUIPADA COM CARDAN HOMOCINÉTICO, DESLIGUE A TOMADA DE FORÇA AO FAZER MANOBRAS OU CURVAS.

ADS-139

Item	CODE	DESCRIPTION	Qty.	Item	CODE	DESCRIPTION	Qty.
00	728113	Sticker - Drawbar adjustment - Portuguese	1				
01	728113	Sticker - Drawbar adjustment - Portuguese	1				

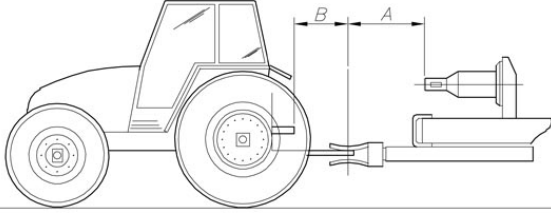
STICKER - DRAWBAR ADJUSTMENT - ENGLISH

01

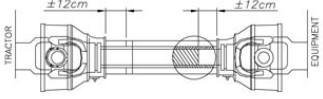


CAUTION

DRAW BAR ADJUSTMENT IN RELATION TO PTO



Proper Assembly: distance A = B or the closest possible.
Ex.: If A = 40 cm, then B = 35 to 45 cm.



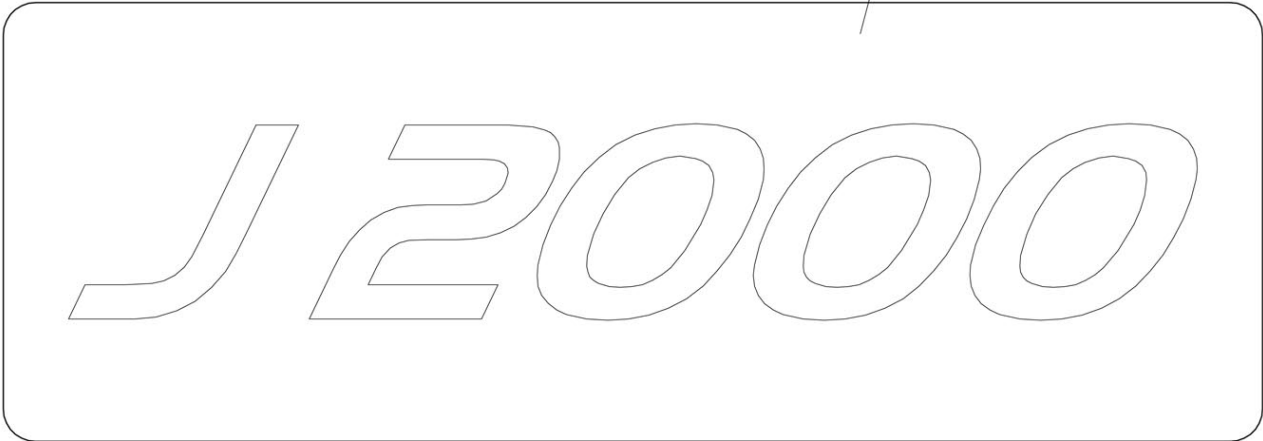
Required slack after drawbar adjustment (cut male, female and guard cap proportionally).

IF YOUR MACHINE IS NOT EQUIPPED WITH A "CONSTANT VELOCITY" DRIVE SHAFT, TURN OFF PTO WHEN TURNING OR MANEUVERING.

ADS-142

Item	CODE	DESCRIPTION	Qty.	Item	CODE	DESCRIPTION	Qty.
00	219709	Sticker - Drawbar adjustment - English	1				
01	219709	Sticker - Drawbar adjustment - English	1				

STICKER - J2000



ADS-207

Item	CODE	DESCRIPTION	Qty.
00	1180074	Sticker - J2000	1
01	1180074	Sticker - J2000	1

Item	CODE	DESCRIPTION	Qty.

STICKER - J-2000



ADS-208

Item	CODE	DESCRIPTION	Qty.
00	1179675	Sticker - J-2000	1
01	1179675	Sticker - J-2000	1

Item	CODE	DESCRIPTION	Qty.

STICKER - ANTI-FREEZING TEST OK

01



ADS-99

Item	CODE	DESCRIPTION	Qty.	Item	CODE	DESCRIPTION	Qty.
00	1152793	Sticker - Anti-freezing test OK	1				
01	1152793	Sticker - Anti-freezing test OK	1				