

BUSH HOG®

RMB1660 RMB1660-1 BOOM MOWER

HYDRAULIC BOOM CUTTER

Revised 4/19

PARTS MANUAL SECTION 92



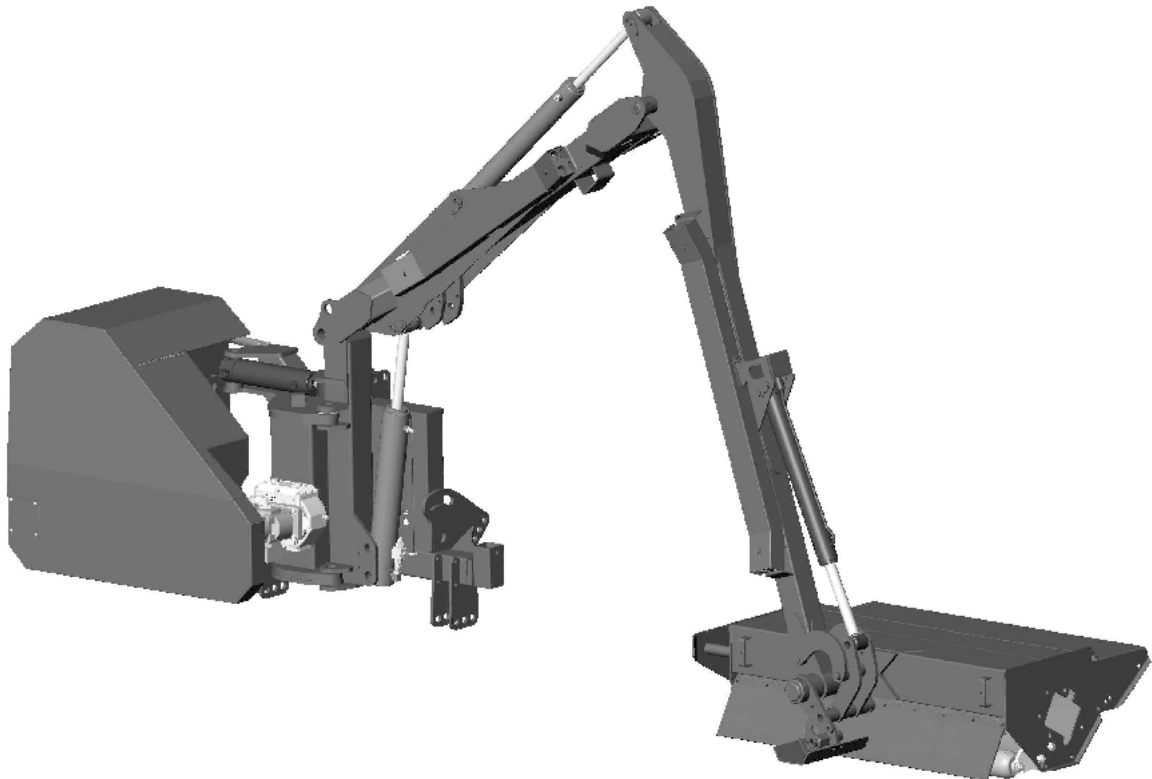
An Operator's Manual was shipped with the equipment. The Operator's Manual is an integral part of the safe operation of this machine and must be maintained with the unit at all times. **READ, UNDERSTAND, and FOLLOW** the Safety and Operation Instructions contained in this manual before operating the equipment. If the Operator's Manual is not with the equipment, contact your dealer or Bush Hog to obtain a copy before operating the equipment.

Safety Video

Important Operating and Safety Instructions are found in the Mower Safety Video that can be instantly accessed on the internet at: www.algqr.com/bve



www.algqr.com/bve



BUSH HOG®

2501 Griffin Ave.
Selma, AL 36703
Parts Ordering 1-800-304-2836
www.bushhog.com

ATENCIÓN!

LEA EL INSTRUCTIVO

Si No Lee Ingles, Pida Ayuda a Alguien
Que Si Lo Lea Para Que le Traduzca las
Medidas de Seguridad.



A MEMBER OF THE
ALAMO GROUP
ALWAYS ON THE CUTTING EDGE®

© 2013 Alamo Group Inc.

PARTS ORDERING GUIDE

The following instructions are offered to help eliminate needless delay and error in processing purchase orders for the equipment in this section.

1. The Parts Section is prepared in logical sequence and grouping of parts that belong to the basic machine featured in this manual. Part Numbers and Descriptions are given to help locate the parts and quantities required.
2. The Purchase Order must include the name and address of the person or organization ordering the parts, who should be charged, and if possible, the serial number of the machine for which the parts are ordered.
3. The Purchase Order must clearly list the quantity of each part, the complete and correct part number (be sure to include all periods), and the basic name of the part.
4. The Manufacturer reserves the right to substitute parts where applicable.
5. Some parts are unlisted items which are special production items not normally stocked and are subject to special handling. Request a quotation for such parts before sending a Purchase Order.
6. The Manufacturer reserves the right to change prices without prior notice.



For maximum safety and to guarantee optimum product reliability, always use genuine BUSH HOG Parts. The use of inferior replacement parts may cause premature or catastrophic failure which could result in serious injury or death. Direct any questions regarding parts to:

BUSH HOG
2501 Griffin Ave.
Selma, AL 36703
www.bushhog.com
Contact Us
800-304-2836



BUSH HOG®

To the Owner/Operator/Dealer

All implements with moving parts are potentially hazardous. There is no substitute for a cautious, safe-minded operator who recognizes the potential hazards and follows reasonable safety practices. The manufacturer has designed this implement to be used with all its safety equipment properly attached to minimize the chance of accidents.

BEFORE YOU START! Read the safety messages on the implement and shown in your manual. Observe the rules of safety and common sense!

DANGER

FAILING TO FOLLOW SAFETY MESSAGES AND OPERATING INSTRUCTION CAN CAUSE SERIOUS BODILY INJURY OR EVEN DEATH TO OPERATOR AND OTHERS IN THE AREA.

1. 	2. NO RIDERS. NO CHILDREN OPERATORS 	3. USE SAFETY SHOES, HARD HAT, SAFETY GLASSES, SEAT BELTS, ROPS & OPS. 	4. BLOCK UP SECURELY BEFORE WORKING UNDER. 
--	---	---	--

1. Study and understand Operator's Manuals, Safety Decals, and Instructional Decals for tractor and implement to prevent misuse, abuse, and accidents. Practice before operating in a confined area or near passersby.
• Learn how to stop engine suddenly in an emergency. Be alert for passersby and especially children.

2. Allow no children on or near folding mower or tractor. Allow no riders on tractor or implement. Falling off may cause serious injury or death from being run over by tractor or mower or contact with rotating blades.

3. Operate only with tractor having Roll-Over Protective Structure (ROPS) and with seat belt securely fastened to prevent injury and possible death from falling off or tractor overturn.
• Personal Protective Equipment such as Hard Hat, Safety Glasses, Safety Shoes, & Ear Plugs are recommended.

4. Block up or support raised machine and all lifted components securely before putting hands or feet under or working underneath any lifted component to prevent crushing injury or death from sudden dropping or inadvertent operation of controls. Make certain area is clear before lowering or folding.

5. Before transporting, put Lift Lever in detent or full-lift position. Install Transport Safety Devices securely on folding mowers. Put Booms securely in Transport Rest.
• Folding and Boom Mowers have raised center of gravity. Slow down when turning and on hillsides.

6. Make certain that SMV sign, warning lights, and reflectors are clearly visible. Follow local traffic codes.

7. Never operate with Cutting Head or Folding Section raised if passersby, bystanders, or traffic are in the area to reduce possibility of injury or death from objects thrown by Blades under Guards or mower structure.

8. Before dismounting, secure implement in transport position or lower to ground.
• Put tractor in park position or set brake, disengage PTO, stop engine, remove key, and wait until noise of rotation has ceased to prevent crushing by entanglement in rotating parts which could cause injury or death.
• Never mount or dismount a moving vehicle. Crushing from runover may cause serious injury or death.

5. TRANSPORT SAFELY, LOCK UP. 	6. USE SMV, LIGHTS, & REFLECTORS. 	7. DO NOT OPERATE WITH CUTTER OR WING RAISED 	8. DO NOT MOUNT OR DISMOUNT WHILE MOVING. 
---	---	---	---

02967827

WARRANTY INFORMATION:

Read and understand the complete Warranty Statement found in this Manual. Fill out the Warranty Registration Form in full and return it to within 30 Days. Make certain the Serial Number of the Machine is recorded on the Warranty Card and on the Warranty Form that you retain.

LIMITED WARRANTY



Bush Hog warrants to the original purchaser of any new Bush Hog equipment, purchased from an authorized Bush Hog dealer, that the equipment be free from defects in material and workmanship for a period of one (1) year for non-commercial, state and municipalities' use and ninety (90) days for commercial use from date of retail sale. The obligation of Bush Hog to the purchaser under this warranty is limited to the repair or replacement of defective parts.

Replacement or repair parts installed in the equipment covered by this limited warranty are warranted for ninety (90) days from the date of purchase of such part or to the expiration of the applicable new equipment warranty period, whichever occurs later. Warranted parts shall be provided at no cost to the user at an authorized Bush Hog dealer during regular working hours. Bush Hog reserves the right to inspect any equipment or parts which are claimed to have been defective in material or workmanship.

DISCLAIMER OF IMPLIED WARRANTIES & CONSEQUENTIAL DAMAGES

Bush Hog's obligation under this limited warranty, to the extent allowed by law, is in lieu of all warranties, implied or expressed, **INCLUDING IMPLIED WARRANTIES OF MERCHANTABILITY AND FITNESS FOR A PARTICULAR PURPOSE** and any liability for incidental and consequential damages with respect to the sale or use of the items warranted. Such incidental and consequential damages shall include but not be limited to: transportation charges other than normal freight charges; cost of installation other than cost approved by Bush Hog; duty; taxes; charges for normal service or adjustment; loss of crops or any other loss of income; rental of substitute equipment, expenses due to loss, damage, detention or delay in the delivery of equipment or parts resulting from acts beyond the control of Bush Hog.

THIS LIMITED WARRANTY SHALL NOT APPLY:

1. To vendor items which carry their own warranties, such as engines, tires, and tubes.
2. If the unit has been subjected to misapplication, abuse, misuse, negligence, fire or other accident.
3. If parts not made or supplied by Bush Hog have been used in connection with the unit, if, in the sole judgement of Bush Hog such use affects its performance, stability or reliability.
4. If the unit has been altered or repaired outside of an authorized Bush Hog dealership in a manner which, in the sole judgement of Bush Hog, affects its performance, stability or reliability.
5. To normal maintenance service and normal replacement items such as gearbox lubricant, hydraulic fluid, worn blades, or to normal deterioration of such things as belts and exterior finish due to use or exposure.
6. To expendable or wear items such as teeth, chains, sprockets, belts, springs and any other items that in the company's sole judgement is a wear item.

NO EMPLOYEE OR REPRESENTATIVE OF BUSH HOG IS AUTHORIZED TO CHANGE THIS LIMITED WARRANTY IN ANY WAY OR GRANT ANY OTHER WARRANTY UNLESS SUCH CHANGE IS MADE IN WRITING AND SIGNED BY BUSH HOG'S SERVICE MANAGER, 2501 GRIFFIN AVE., SELMA, ALABAMA 36703.



Record the model number, serial number and date purchased. This information will be helpful to your dealer if parts or service are required.

MODEL NUMBER _____

SERIAL NUMBER _____

DATE OF RETAIL SALE _____

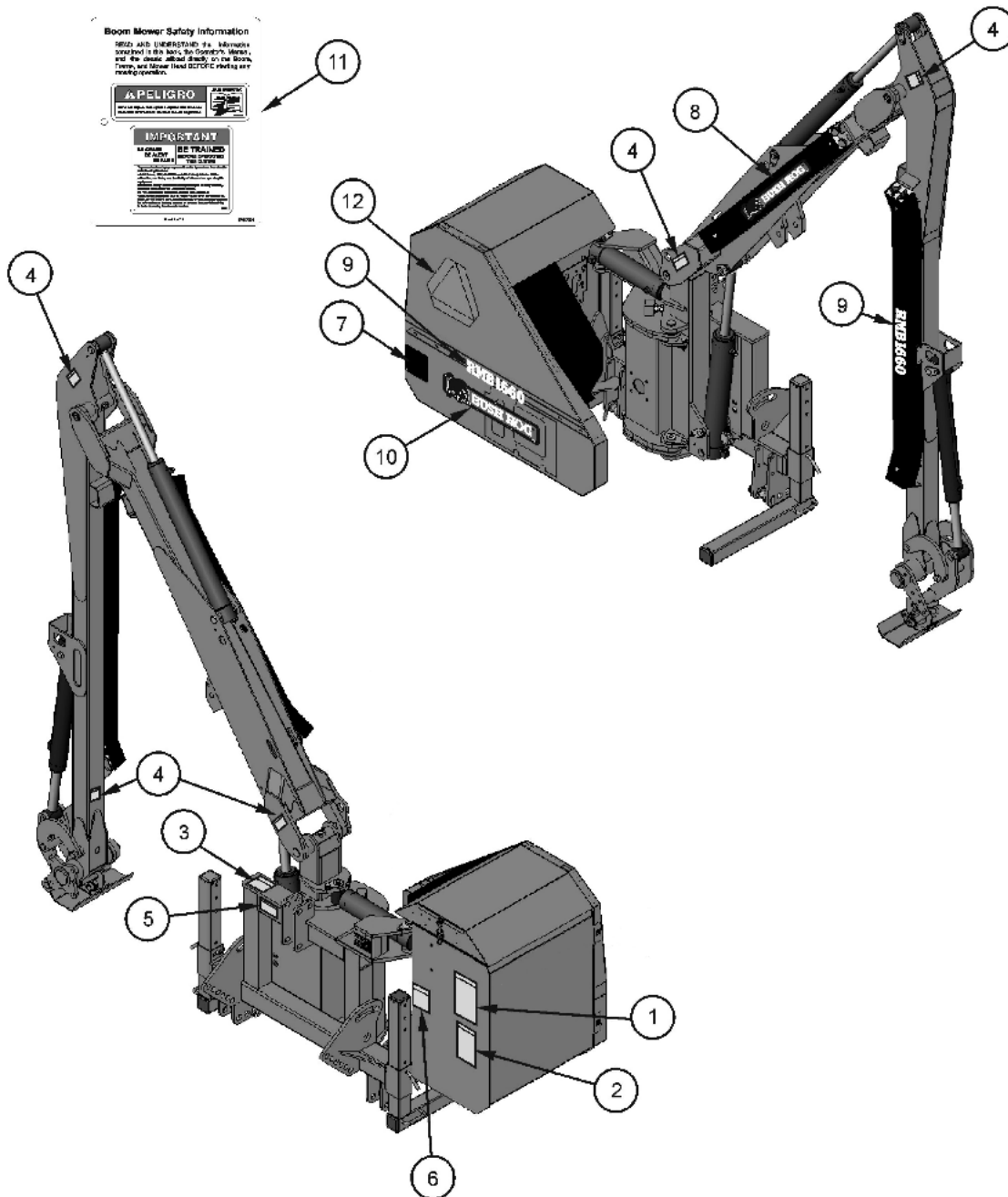
MAKE CERTAIN THE WARRANTY
HAS BEEN FILED WITH BUSH HOG
SELMA, ALABAMA

ALPHABETICAL INDEX

RMB1660, RMB1660-1 BOOM MOWER

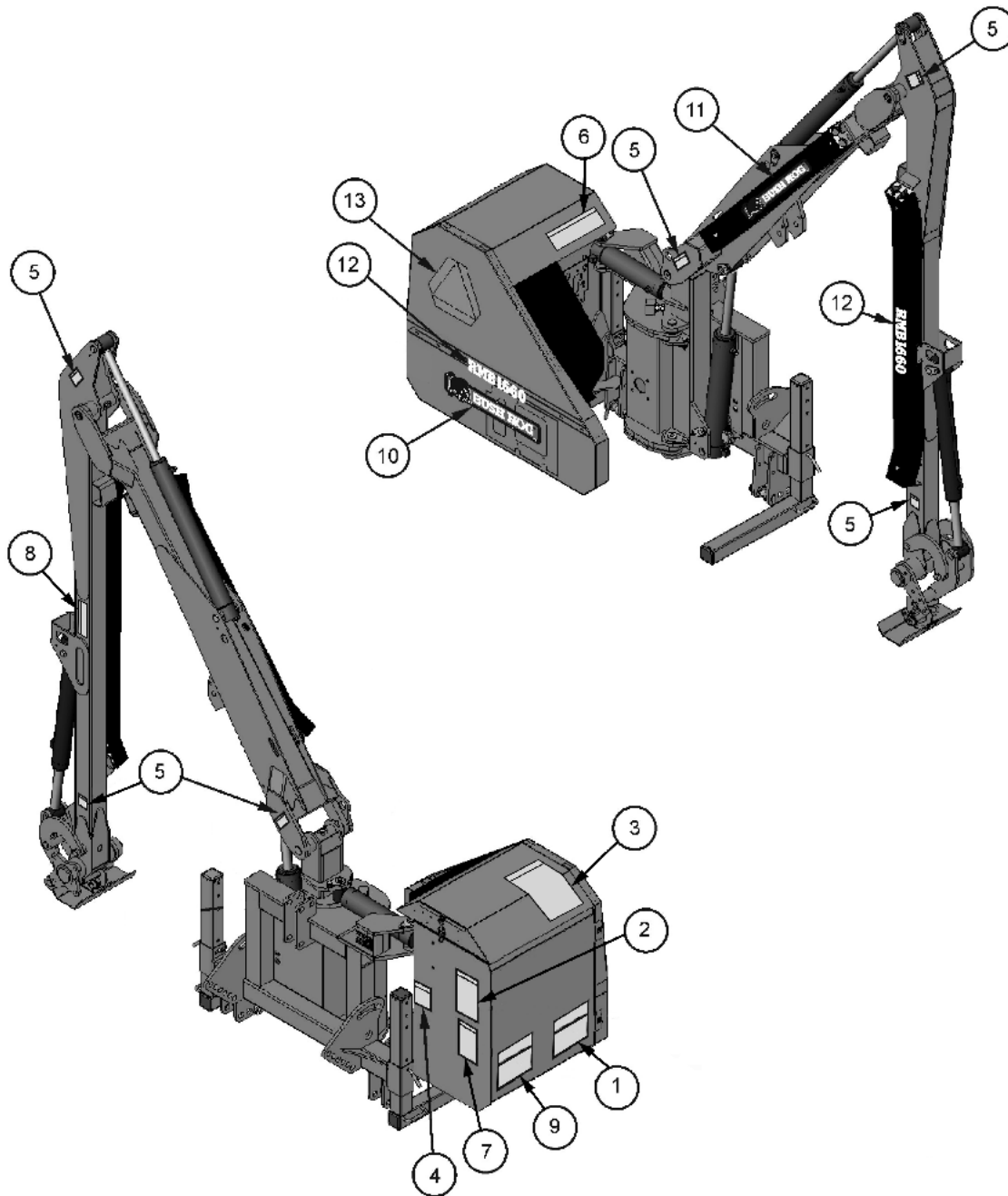
ITEM	PAGE NUMBER
100 LPM DRIVE MODULE - SUPERCUT AND MULTICUT	92-1-42
BEARING UNIT MODULE - ROTARY HEAD	92-1-55
BLADE BAR ASSEMBLY - ROTARY HEAD	92-1-60
BRACKET MODULE - ROTARY HEAD	92-1-57
BUZZER CONTROL KIT - SIDE WHEEL KIT	92-1-63
CAB CONTROL MOUNT	92-1-38
CABLE ARMHEAD CONTROL VALVE WITHOUT QUICK RELEASE CABLES (RMB1660)	92-1-34, 92-1-35
CABLE ARMHEAD CONTROL VALVE WITH QUICK RELEASE CABLES (RMB1660-1)	92-1-36, 92-1-37
CABLE ROTOR CONTROL VALVE W/O QUICK RELEASE CABLE (RMB1660)	92-1-32
CABLE ROTOR CONTROL VALVE WITH QUICK RELEASE CABLE(RMB1660-1)	92-1-33
CASING - SUPERCUT FLAILHEAD	92-1-41
CASING MODULE - ROTARY HEAD	92-1-56
CUTTER BAR RH	92-1-68
DECAL KIT- ROTARY HEAD	92-1-59
DIPPER ARM	92-1-6
FILTER AND DIFFUSER ASSEMBLY	92-1-16, 92-1-17
FLAILHEAD - MULTICUT	92-1-48
FLAILHEAD - SUPERCUT (47" WIDE)	92-1-40
FRONT FLAP KIT, SUPERCUT AND MULTICUT	92-1-46
GEARBOX ASSEMBLY - PARTS (BIMA) - RMB1660	92-1-26, 92-1-27
GEARBOX ASSEMBLY - PARTS (COMER) - RMB1660-1	92-1-29
GUARD KIT	92-1-37
HEAD, ANGLING	92-1-7
HOSE KIT	92-1-31
HYDRAULIC CYLINDER - ANGLE	92-1-23
HYDRAULIC CYLINDER - LIFT	92-1-22
HYDRAULIC CYLINDER - REACH	92-1-21
HYDRAULIC CYLINDER - SLEW	92-1-20
HYDRAULIC HOSES AND FITTINGS	92-1-18, 92-1-19
HYDRAULICS MODULE - ROTARY HEAD	92-1-58
HYDRAULIC TANK	92-1-14, 92-1-15
LIFT FLOAT KIT	92-1-64
LIGHT KIT (Optional for RMB1660 Only)	92-1-65
LIGHT KIT (Standard for RMB1660-1 Only)	92-1-66 & 92-1-67
MAIN ARM	92-1-5
MAIN FRAME	92-1-10, 92-1-11
MOTOR COVER - MULTICUT	92-1-52
MOTOR COVER 1.2M SUPERCUT	92-1-44
MOTOR MODULE - ROTARY HEAD	92-1-61
PILLAR, RH	92-1-8, 92-1-9
PUMP AND GEARBOX ASSEMBLY (BIMA) - RMB1660	92-1-24, 92-1-25
PUMP AND GEARBOX ASSEMBLY (COMER) - RMB1660-1	92-1-28
PUMP ASSEMBLY	92-1-30
QUAD DRIVE MODULE - MULTICUT	92-1-51
QUAD ROTOR KIT F10C, 1.2M	92-1-69
ROLLER 1.2 SUPERCUT	92-1-45
ROLLER ASSEMBLY - MULTICUT	92-1-50
ROTOR MODULE - MULTICUT	92-1-49
ROTOR MODULE - SUPERCUT	92-1-43
SAFETY DECALS (BOOM) (RMB1660)	92-1-1
SAFETY DECALS (BOOM) (RMB1660-1)	92-1-2
SAFETY DECALS (CUTTER HEAD)	92-1-3
SHEARTRIM SICKLEBAR (59" WIDE)	92-1-39
SHIELDING	92-1-12, 92-1-13
SIDEWHEEL FOR ROTARY HEAD	92-1-62
SKID KIT - MULTICUT (Optional)	92-1-53
SKID KIT - SUPERCUT (Optional)	92-1-47
SPINDLE & HOUSING ASSEMBLY, CW LUBRICANT	92-1-70
STABILIZER	92-1-4
STOP MODULE ASSY. -ROTARY HEAD	92-1-54

SAFETY DECALS (BOOM) (RMB1660)



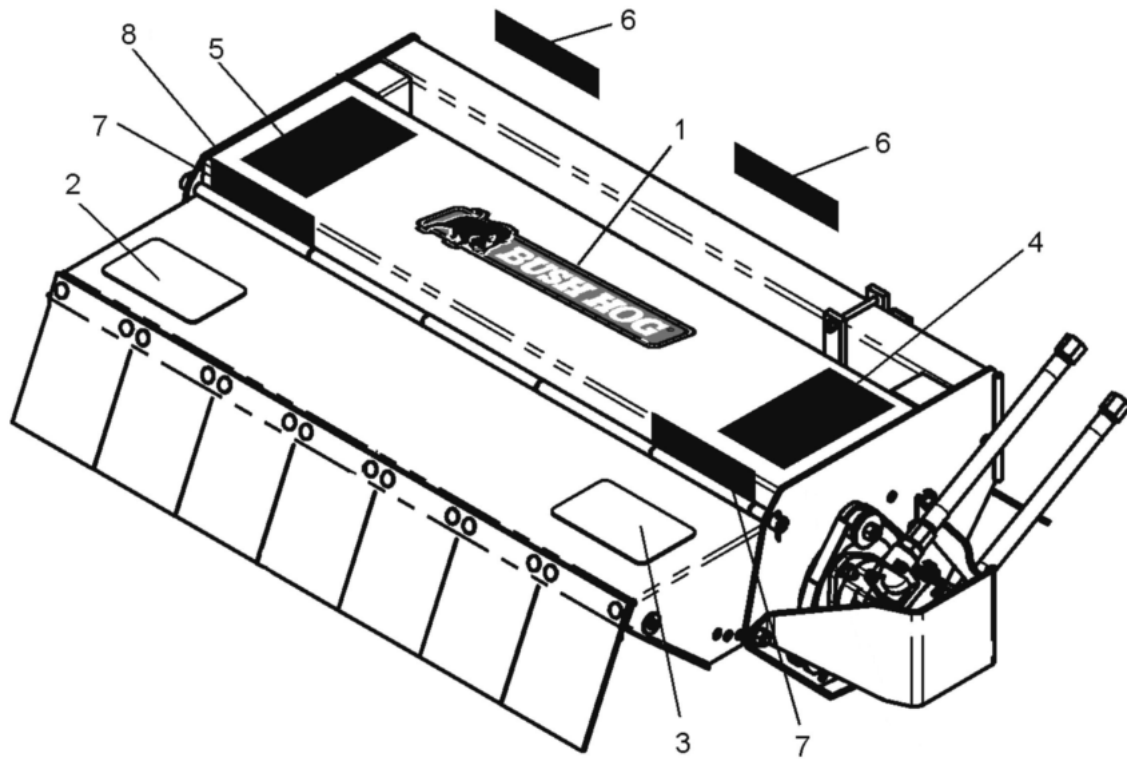
REF. NO.	PART NO.	DESCRIPTION	QTY.
1	D433	Decal, Multi Hazard	1
2	D388	Decal, Driveline Hazard	1
3	D355	Decal, Important Sway Bars	1
4	D623	Decal, Warning Pinch Point	6
5	D628	Decal, Danger Crushing Hazard	1
6	D617	Decal, Warning Oil Leak	1
7	D354	Decal, Danger Crushing Hazard	1
8	50065309	Decal, Bush Hog Logo, 14.85"	1
9	50068740	Decal, Model No. 1660	2
10	50061049	Decal, Bush Hog Logo, 22"	1
11	D524	Booklet, Safety	1
12	83380	Reflector, SMV Triangle	1

SAFETY DECALS (BOOM) (RMB1660-1)



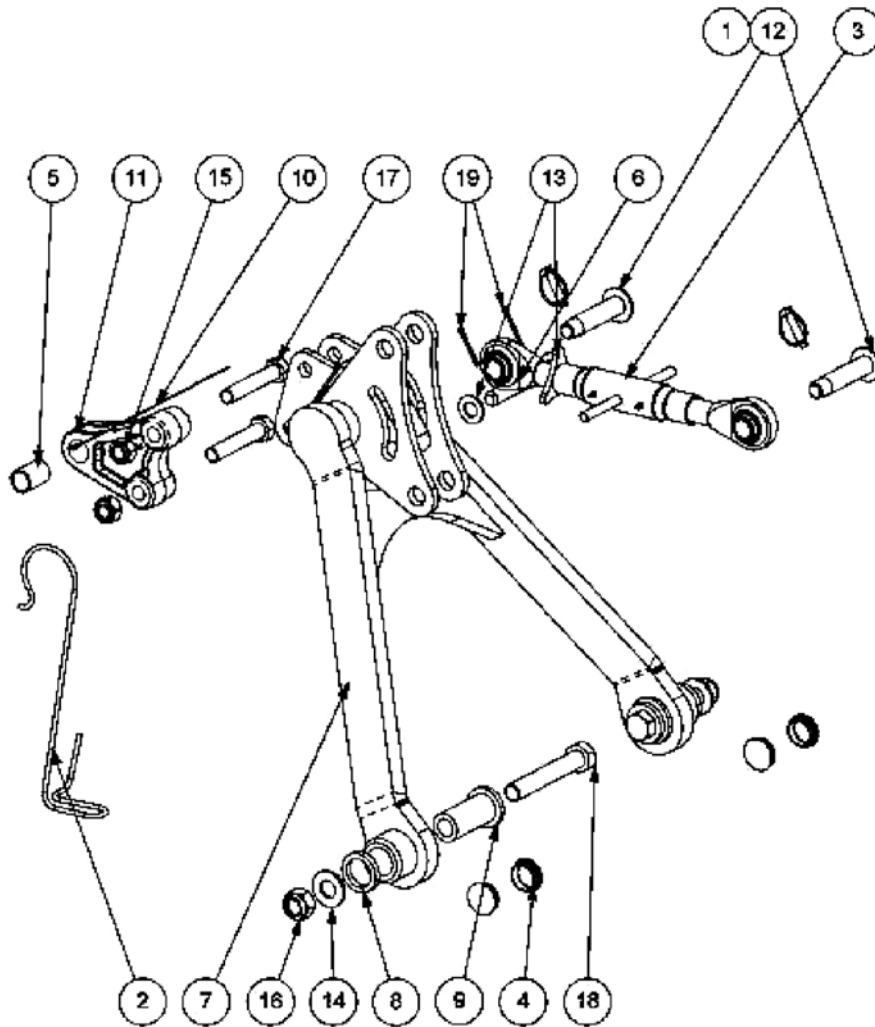
REF. NO.	PART NO.	DESCRIPTION	QTY.
1	D628	Decal, Multi Hazard	1
2	D617	Decal, Driveline Hazard	1
3	-----	Decal, Important Sway Bars	1
4	D547	Decal, Warning Pinch Point	6
5	D623	Decal, Danger Crushing Hazard	1
6	-----	Decal, Warning Oil Leak	1
7	-----	Decal, Danger Crushing Hazard	1
8	-----	Decal, Danger, Auto Break Away	1
9	-----	Decal, Grease Point - Base Unit	1
10	50061049	Decal, Bush Hog Logo, 22"	1
11	50065309	Decal, Bush Hog Logo, 14.85"	1
12	50068740	Decal, Model No. 1660	2
13	83380	Reflector, SMV Triangle	1

SAFETY DECALS (CUTTER HEAD)



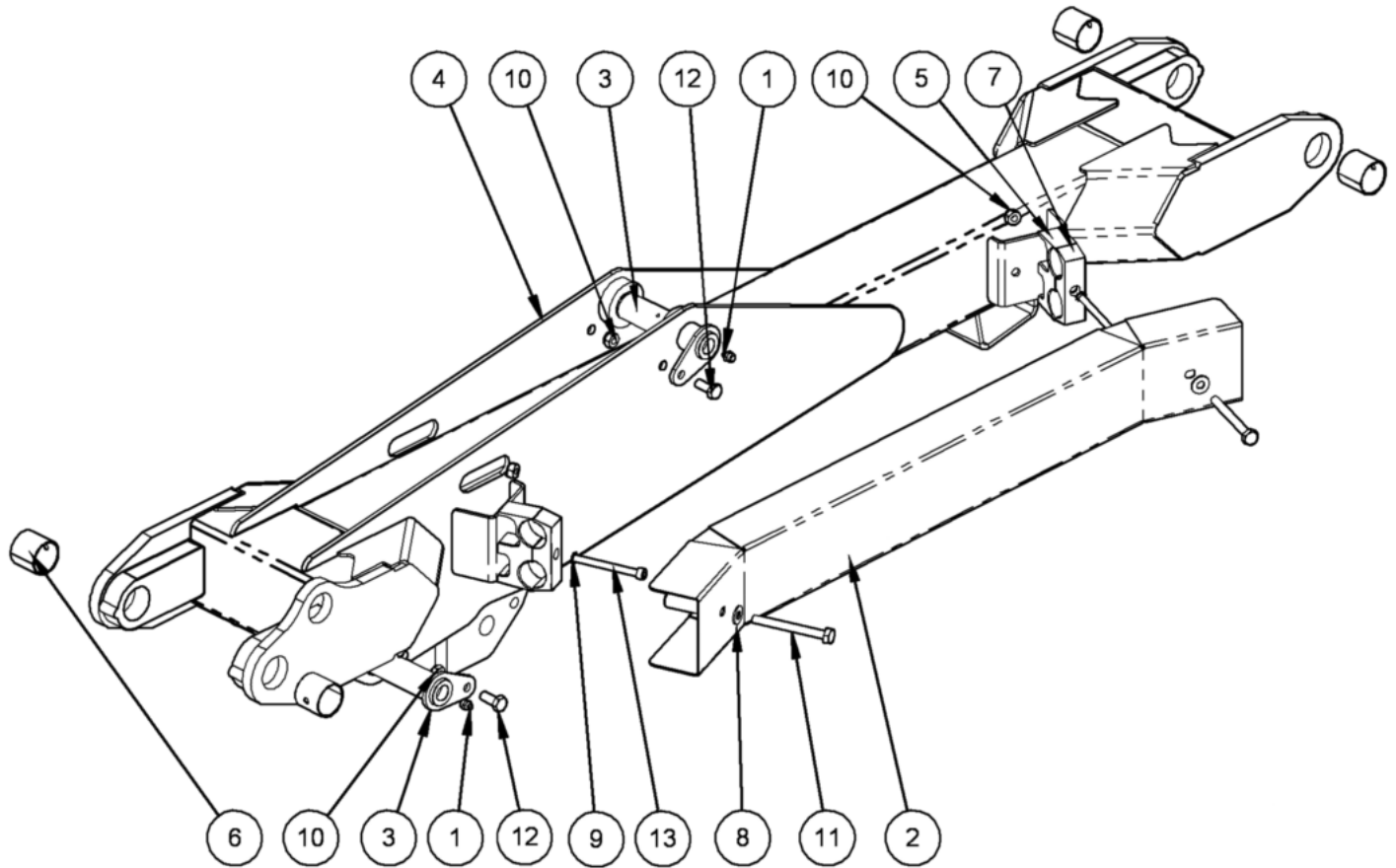
REF. NO.	PART NO.	DESCRIPTION	QTY.
1	50061049	Decal, Bush Hog Logo, 22"	1
2	D626	Decal, Deflector Warning	1
3	-----	Decal, Warning Thrown Objects	1
4	1290738	Decal, Instruction	1
5	09.821.35	Decal, Instruction Multi	1
6	1458392	Reflector, Red	2
7	1458393	Reflector, Yellow	2
8	09.810.01	Decal, Instruction Grease	2

STABILIZER



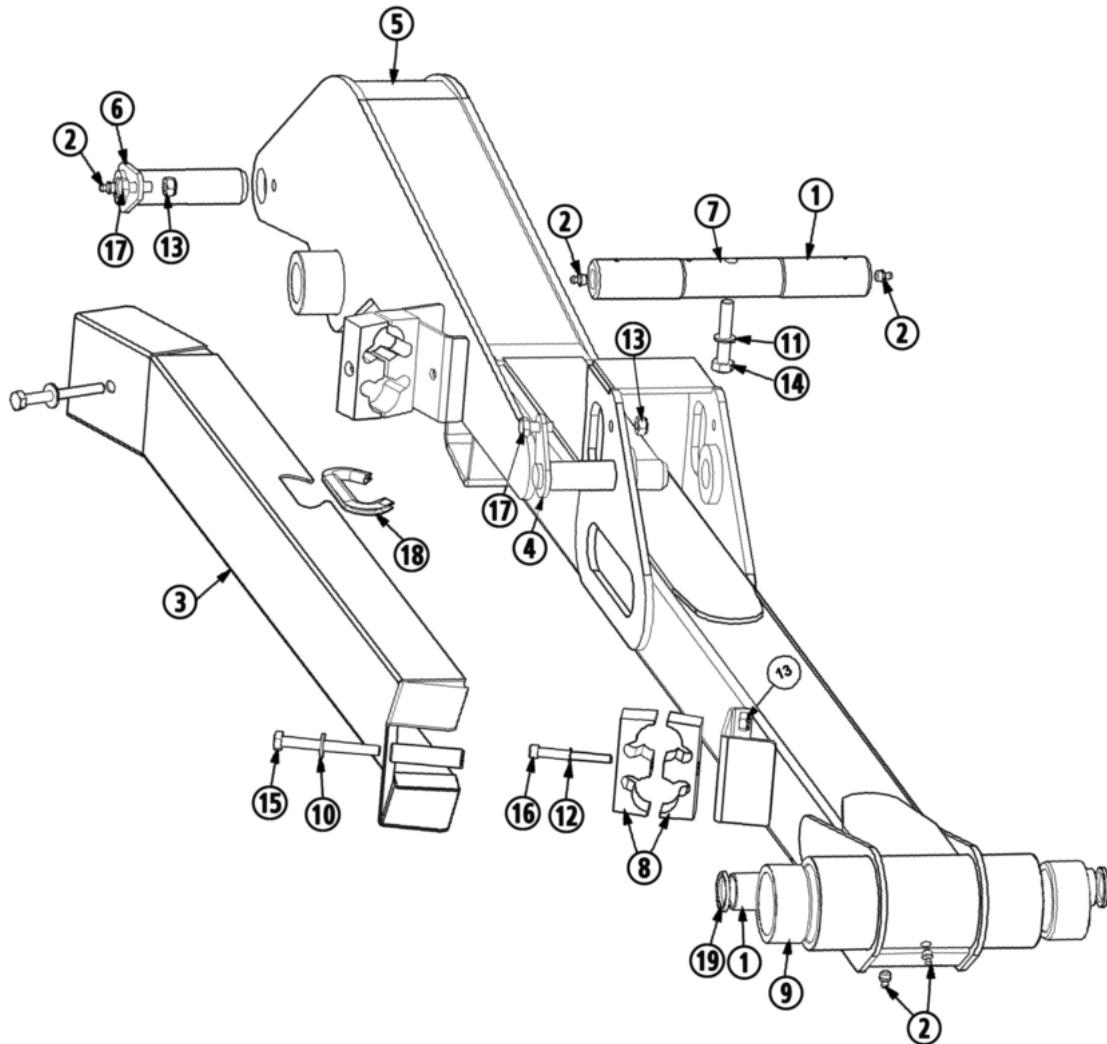
REF. NO.	PART NO.	DESCRIPTION	QTY.
1	0431217	Linch Pin, Med. 7/16	2
2	21160.03	PTO Hook Support-Plated	1
3	21370.07	Top Link Assy - 357 To 517mm	1
4	21388.01	Plastic Insert 45mm Dia	4
5	21883.01	Sleeve HFS Tube 38.6 x 6.3 Wal	1
6	22072.01	Quadrant Pin-Stabilizer	1
7	41205.13	Narrow Nose Stabilizer W.A.	1
8	45999.04	Spacer 55 x 40.5 x 9	2
9	45999.05	Spacer Sleeve	2
10	7196045	Hose Tie- 350.0 Lg	1
11	7499506C	Stabilizer Tongue Cat. 3-Cast	1
12	7560144	Pin-Top Link	2
13	9100108	Flatwasher M20	2
14	9100109	Flatwasher M24 BZP	2
15	9163008	Nyloc Nut M20	2
16	9163009	Nyloc Nut M24	2
17	9213228	Bolt	2
18	9213309	Capscrew M24 x 150	2
19	0425540	Roll Pin M5 x 40	2

MAIN ARM



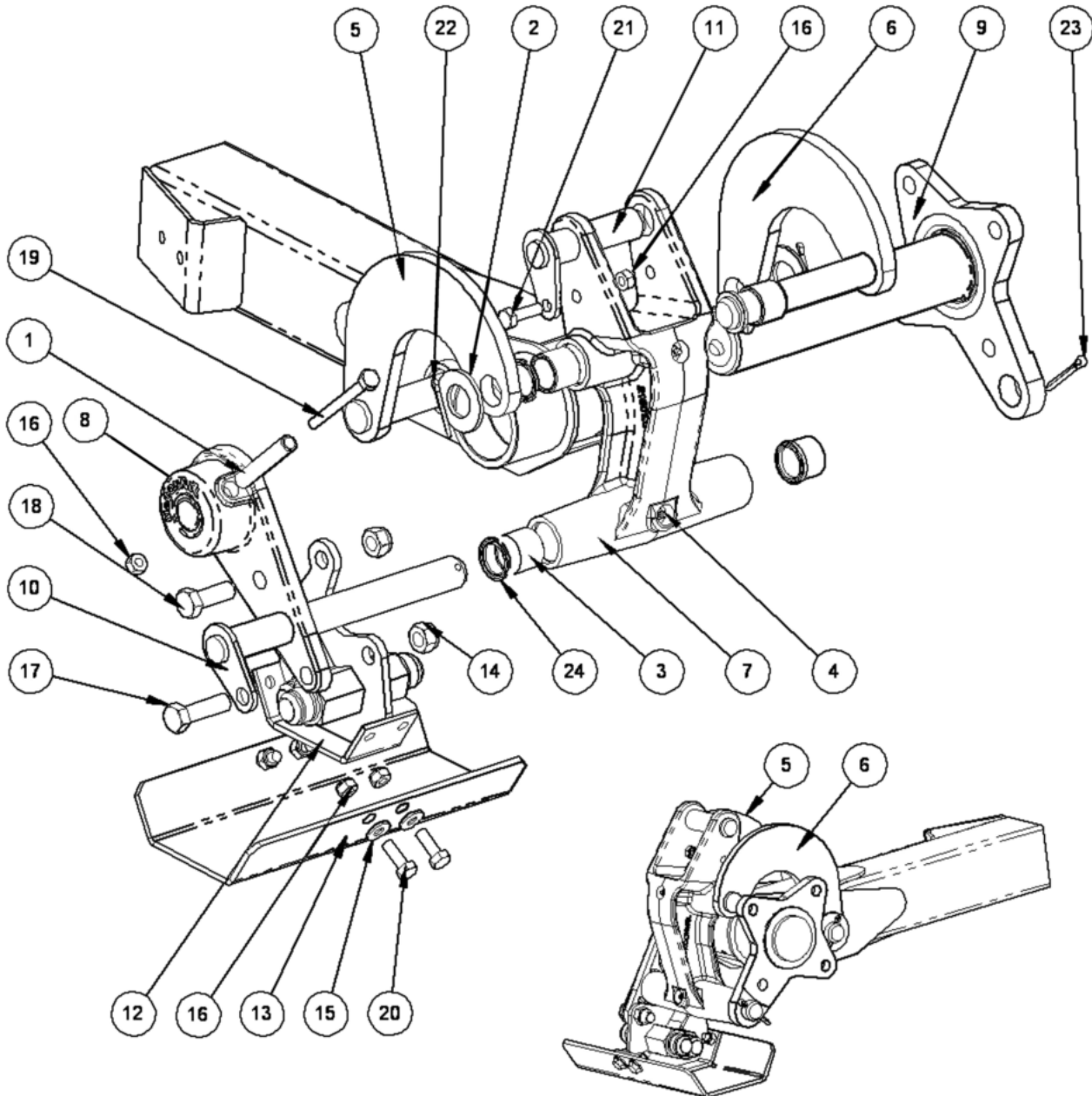
REF. NO.	PART NO.	DESCRIPTION	QTY.
1	0901121	Grease Nipple, 1/8	2
2	22522.01	Hose Guard W/A Black	1
3	45202.06	Lift Base Pin w/Assy	2
4	45318.04	Main Arm	1
5	06.430.18	Clamp, Lower Hose	2
6	7115208	Bushing 40 x 44 x 40	4
7	7193063	1" BSP Pair Hose Clamps	2
8	9100105	Flatwasher 10.5 x 23.5 x 2.0	2
9	9100404	Washer, M8 External Shakeproof	2
10	9163005	Nut M10 Nyloc	4
11	9213205	Capscrew M10 x 100	2
12	9313055	Capscrew M10 -1.5 x 25	2
13	9343184	Capscrew M8 x 90 BZP	2

DIPPER ARM



REF. NO.	PART NO.	DESCRIPTION	QTY.
1	08.297.04	Bushing 37 x 30 x 30	2
2	0901121	Grease Nipple, 1/8	5
3	22522.03	Hose Guard W/A Black	1
4	42684.07	Pin W/A Dipper Ram	1
5	45063.13	RH Dipper Arm W.A.	1
6	45202.01	Pin W/A - T/Link Outer	1
7	45264.03	Main Pivot Pin	1
8	45630.01	Clamp, Hose	4
9	7136035	Bushing, Flail Head	2
10	9100105	Flatwasher, 10.5 x 23.5 x 2.0	2
11	9100206	Lockwasher 12mm	1
12	9100404	Washer, M8 External Shakeproof	2
13	9163005	Nut M10 Nyloc	4
14	9213136	Capscrew M12-P1.75 x 65mm	1
15	9213205	Capscrew M10 x 100	2
16	9243154	Capscrew M8 x 75 Lg BZP	2
17	9313055	Capscrew M10-P1.50 x 25mm	5
18	41741.16	Edging Strip - 160mm Lg	1
19	8629218	Seal, Lip 30 x 40 x 4	2

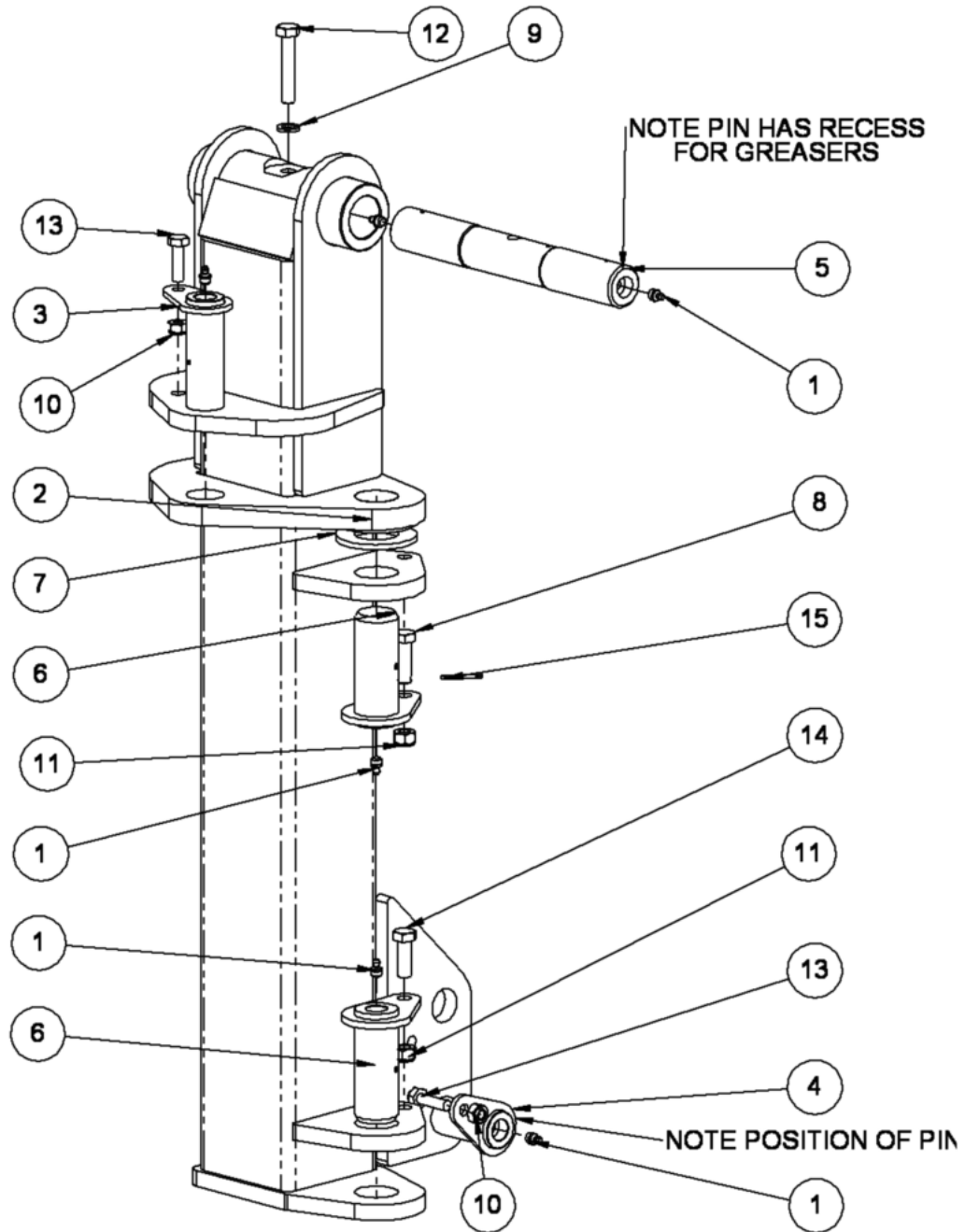
HEAD, ANGLING



REF. NO.	PART NO.	DESCRIPTION	QTY.
1	0423556	Spring Dowel 5/8 in x 3-1/2 in	1
2	05.281.18	Flat Washer 30mm - Plated	2
3	08.297.04	Bushing 37 x 30 x 30	4
4	0901121	Grease Nipple, 1/8	2
5	42646.03	Radius Arm	1
6	42646.04	Radius Arm	1
7	21801.01	Slave Link Casting	1
8	42648.01C	Jaw Plt Cast 30.0 Pivots	1
9	42649.01	Pivot Tube	1
10	42684.01	Pin	1
11	42684.05	Pin - 30mm x 116 Lg	1
12	43055.09	Hose Brkt 1-5/16 JIC	1

REF. NO.	PART NO.	DESCRIPTION	QTY.
13	7198333	Hose Tray	1
14	9100028	Nut	2
15	9100105	Flatwasher 10.5 x 23.5 x 2.0	4
16	9163005	Nut M10 Nyloc	6
17	9200023	Bolt Ht M16 x 1.5p x 55 Lg	1
18	9200028	Bolt	1
19	9213205	Bolt M10 x 100	1
20	9313065	Capscrew M10-P1.5 x 30mm Pl5	4
21	9313075	Capscrew M10-P1.50 x 35mm 5	1
22	0425540	Roll Pin M5 x 40	2
23	02971717	Roll Pin M6 x 50	1
24	8629218	Seal, 30 x 40 x 4	4

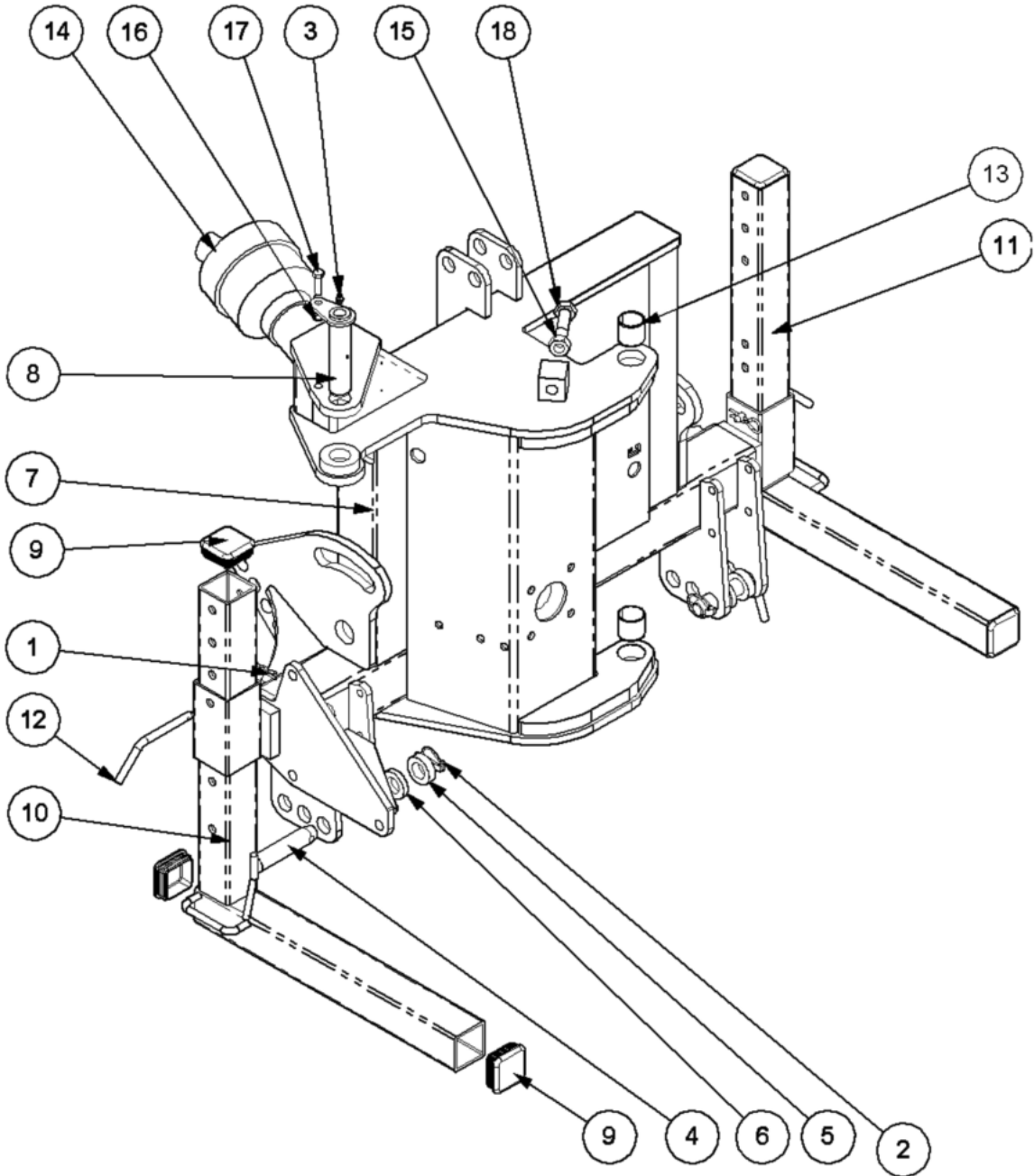
PILLAR, RH



PILLAR, RH

REF. NO.	PART NO.	DESCRIPTION	QTY.
1	0901121	Grease Nipple, 1/8	6
2	45192.10	RH Pillar	1
3	45202.04	Pin W/A - Slew Rod	1
4	45202.07	Pin W/A - Left Ram Base	1
5	45264.03	Main Pivot Pin	1
6	45271.01	Pivot Pin	2
7	45298.01	Thrust Washer 75 x 41 x 5	1
8	45416.01	Screw, Special M12 x 40 Drilled	1
9	9100206	Lockwasher, 12mm	1
10	9163005	Nut M10 Nyloc	2
11	9163006	Nut Nyloc M12	2
12	9213136	Capscrew M12-P1.75- 65mm	1
13	9313075	Capscrew M10-P1.50- 35mm	2
14	9313076	Capscrew M12-P1.75- 35mm	1
15	9501255	Cotter Pin 4mm x 25mm	1

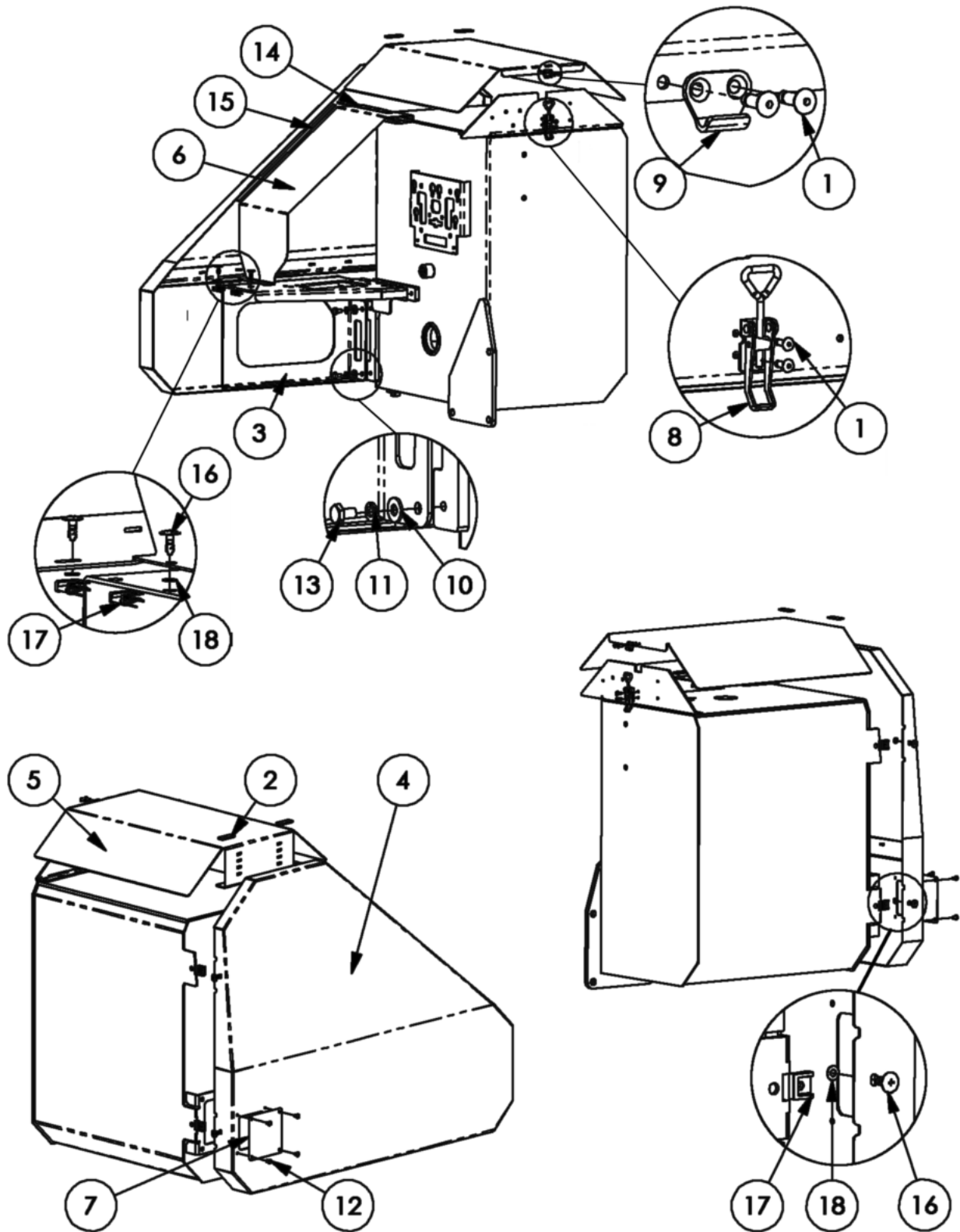
MAINFRAME



MAINFRAME

REF. NO.	PART NO.	DESCRIPTION	QTY.
1	0431105	Pin, Cotter	2
2	0431217	Linch Pin, Med. 7/16	2
3	0901121	Grease Nipple, 1/8	1
4	41559.01	Linkage Pin Cat 2	2
5	43332.01	Spacer, 15 Lg.	2
6	43332.02	Spacer, 10 Lg.	2
7	45193.10	RH Mainframe	1
8	45202.05	Pin	1
9	-----	Plug, Plastic, Square	6
10	45293.01	Stand Leg LH	1
11	45293.02	Stand Leg RH	1
12	45297.01	Leg Pin	2
13	7115208	Bushing 40 x 44 x 40 Glacier	2
14	7136330	Driveline, 27 Pin Ctrs	1
15	9113008	Nut M20 - P2.5	1
16	9163005	Nut M10 Nyloc	1
17	9313075	Capscrew M10-P1.50- 35mm	1
18	9313118	Capscrew M20 x 55 (Coarse) H.T.	1

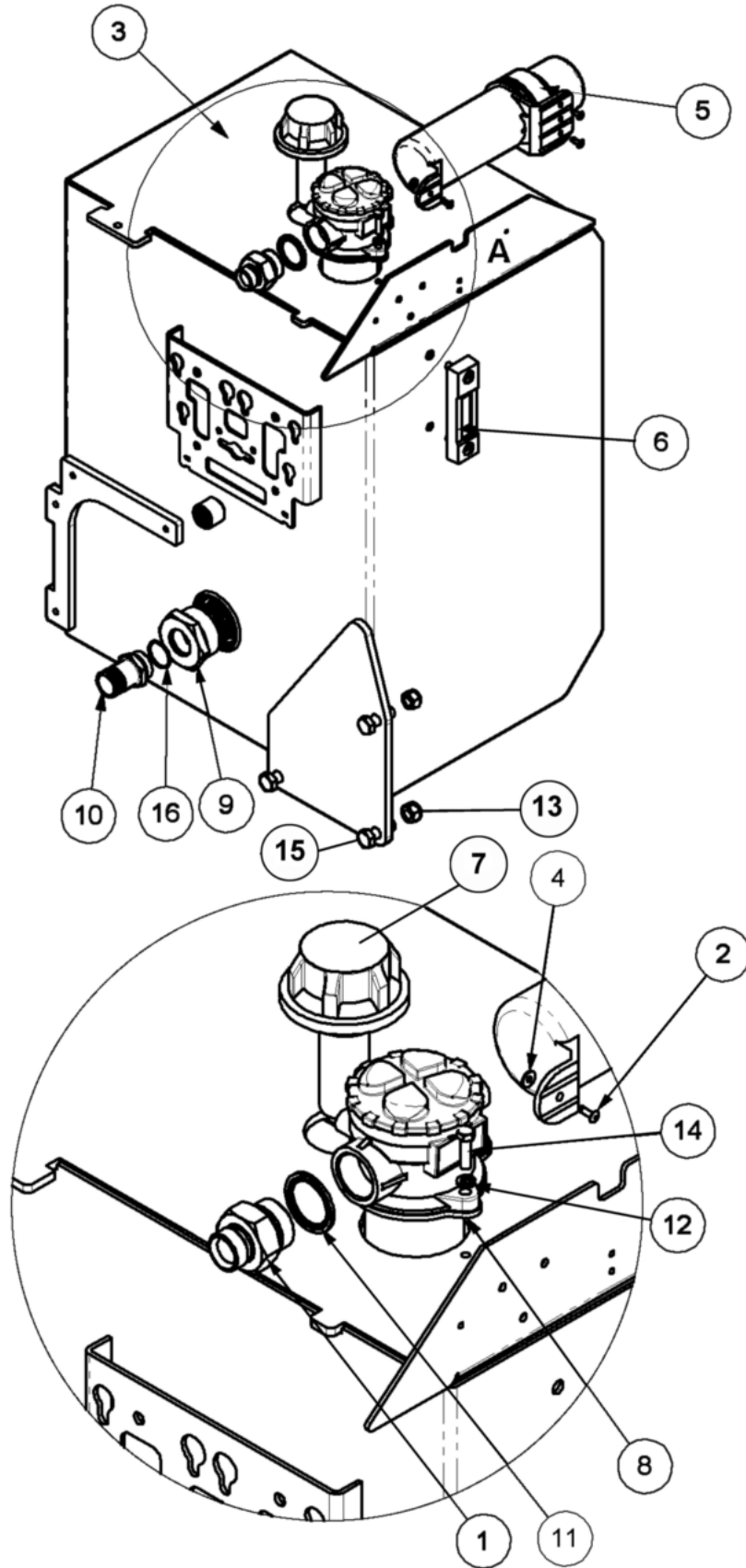
SHIELDING



SHIELDING

REF. NO.	PART NO.	DESCRIPTION	QTY.
1	21612.01	Pop Rivet Dia 4.8 x 16 Lg	4
2	21726.31	Sponge Pad	2
3	22472.02	RH Cover & Valve Mtg	1
4	22476.04	RH Rear Cover W.A.	1
5	22477.03	Tank Top Cover	1
6	22513.02	RH Valve Cover	1
7	22531.01	Blanking Plate-Rear Cover	1
8	43449.02	Overcentre Fastener	1
9	46007.01	Hook-Small	1
10	9100105	Flatwasher, 10.5 x 23.5 x 2.0	4
11	9100205	Lockwasher- 10mm Dia. BZP	4
12	9300164	Taptite M6 x 12	4
13	9313035	Capscrew M10-P1.50- 16mm	4
14	21726.34	Foam Strip 275mm Lg	1
15	21726.35	Foam Strip 410mm Lg	1
16	22549.01	Short Nose, Slotted Head Size 8	4
17	22549.02	Fast Turn Size 8 Slip On	4
18	22549.03	Fast Turn Plastic Retainer	4

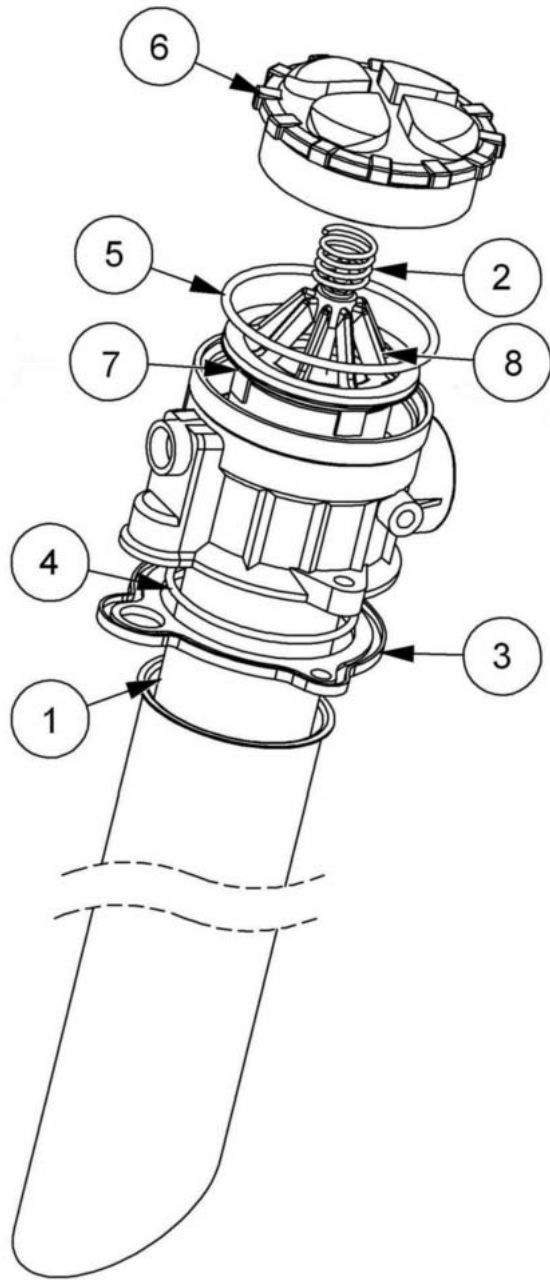
HYDRAULIC TANK



HYDRAULIC TANK

REF. NO.	PART NO.	DESCRIPTION	QTY.	NOTES
1	05.131.01	Adaptor 1" x 1-1/4" BSP	1	
2	21612.02	Pop Rivet Dia 4.8 x 16 Lg	3	
3	22470.04	Tank W.A.-RH	1	Serial Numbers M1433228 and Below
	22470.14	Tank W.A. - RH	1	Serial Numbers M1433229 and Above
4	22530.01	Rivet Washer-For 4.8 Dia Rivet	3	
5	46505.01	Plastic Manual Holder Us	1	
6	8401048	Gauge, Level	1	
7	8401050	Breather Cap	1	Serial Numbers M1433228 and Below
	8401137	Breather Cap	1	Serial Numbers M1433229 and Above
8	8401088	Filter Assy Incl Diffuser	1	Serial Numbers M1433228 and Below
	8401146	Filter Assy Incl Difusser	1	Serial Numbers M1433229 and Above
9	8401097	Suction Stranier 125 Micron	1	
10	8581260	Adp. Hyd. 1-1/4 BSP x 1-1/2 BSP	1	
11	8650109	1-1/4 BSP Bonded Seal	1	
12	9100204	Spring Washer 8mm	4	Serial Numbers M1433228 and Below
	8650310	Bonded Seal M10	4	Serial Numbers M1433229 and Above
13	9163007	M16 Nyloc Nut	3	
14	9313064	Capscrew M8 x 30 (Coarse)	2	Serial Numbers M1433228 and Below
	9343075	Capscrew M10 x 35	4	Serial Numbers M1433229 and Above
15	9313097	Capscrew M16 x 45 Coarse H.T.	3	
16	8700784	O Ring 202-784-4480	1	

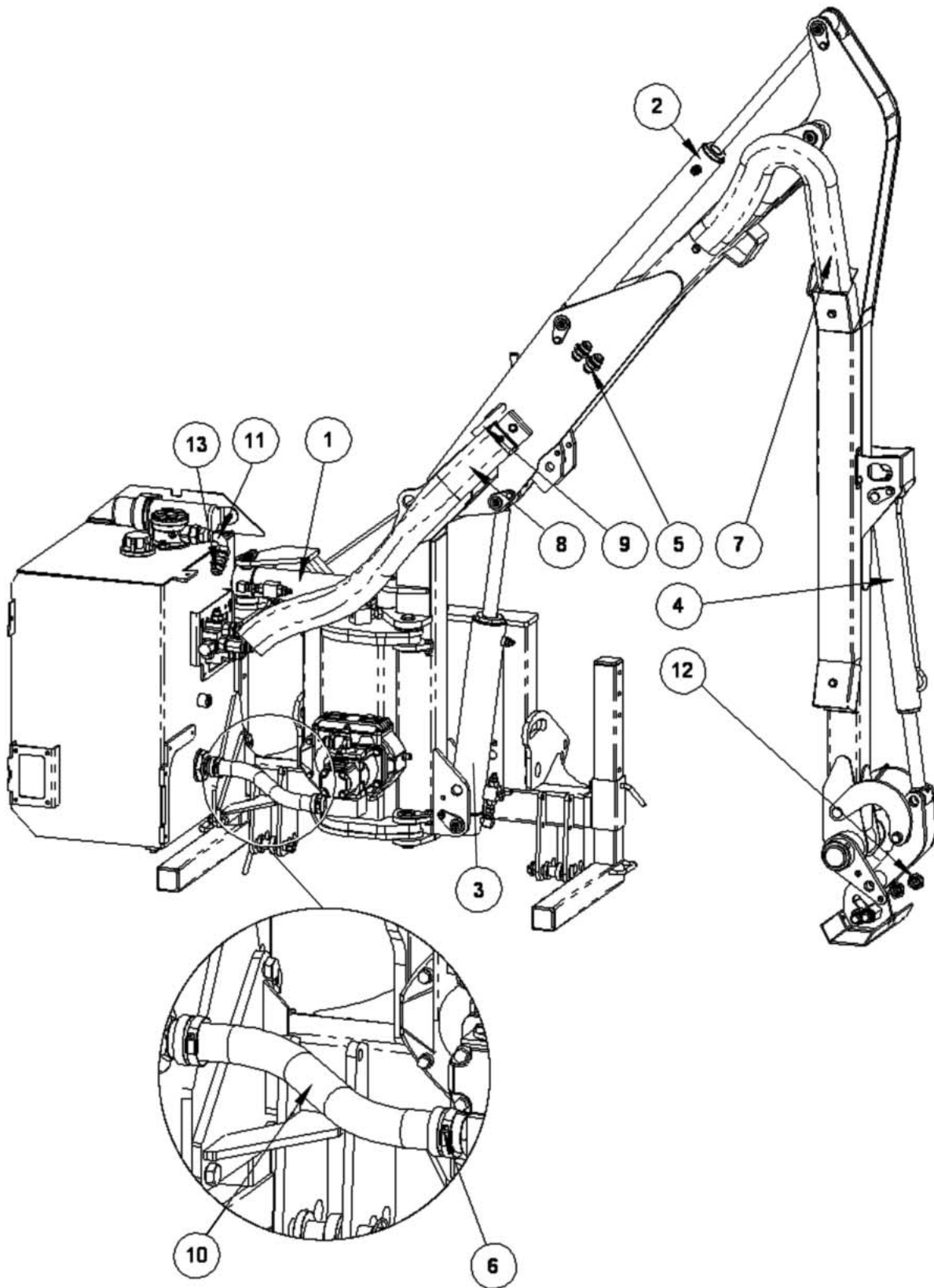
FILTER AND DIFFUSER ASSEMBLY



FILTER AND DIFFUSER ASSEMBLY

REF. NO.	PART NO.	DESCRIPTION	QTY.
1	8401089	Filter Element	1
2	8401092	Filter Lid Spring	1
3	8401093	Filter Housing Seal	1
4	8700235	O-Ring 200-235-4480	1
5	8700092	O-Ring 204-192-4480	1
6	212.013.04	Filter Cap	1
7	8401103	Moulded Seal For 8401088	1
8	8401104	Plastic Filter Housing	1

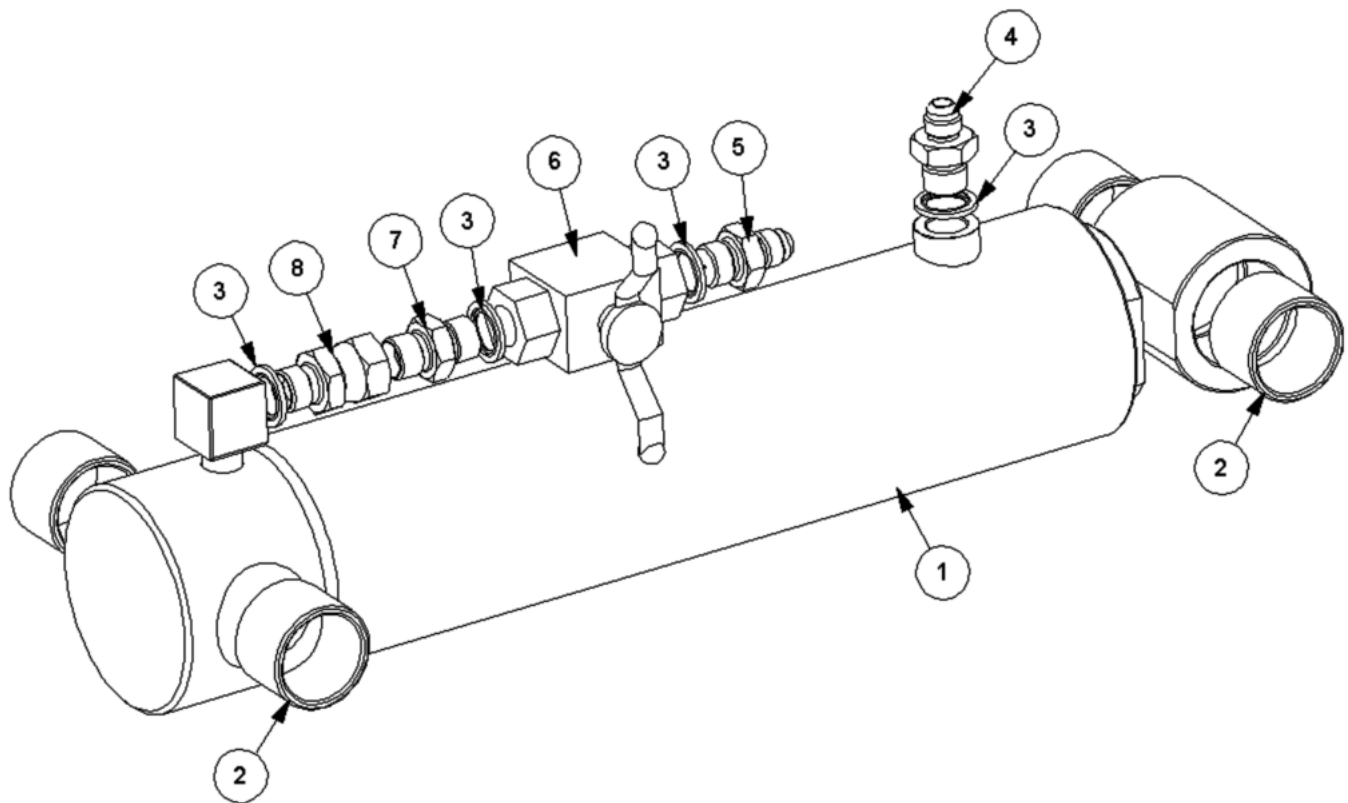
HYDRAULIC HOSES AND FITTINGS



HYDRAULIC HOSES AND FITTINGS

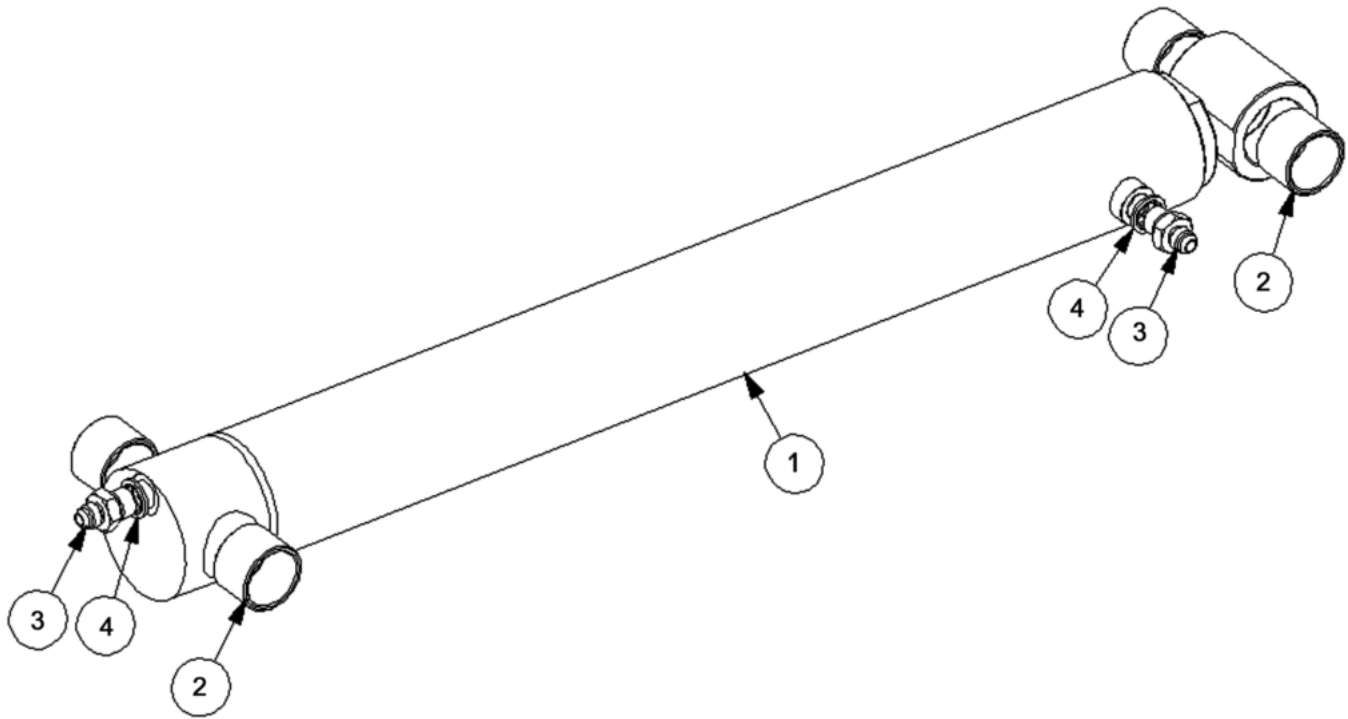
REF. NO.	PART NO.	DESCRIPTION	QTY.
1	45288.10	Hydraulic Cylinder Assy -Slew	1
2	45288.09	Hydraulic Cylinder Assy -Reach	1
3	45895.10	Hydraulic Cylinder Assy - Lift	1
4	43317.10	Hydraulic Cylinder Assy - Angle	1
5	08.955.45	Adapter mm 1-5/16"-12 JIC	2
6	0904107	Hose Clips 40-55 mm *Bi*	4
7	22590.19	Hose Sleaving FC425-59 950 Lg	1
8	22590.20	Hose Sleaving FC425-59 1000 Lg	1
9	22591.03	Hose Sleaving FC425-40 150 Lg	1
10	8501470	Bore Suction Hose 1-1/2" - 470 mm Long	1
11	8581264	Elbow 1" BSP M-FLN 90 Swept	1
12	05.433.17	Blanking Cap 1 5/16" JIC	2
13	8581233	Swivel Adp. 1 BSP-F x 1-5/16-M	1
	7135084	Hose Tie 180.0 Lg (Not Shown)	3
	7196045	Hose Tie 350.0 Lg (Not Shown)	4

HYDRAULIC CYLINDER - SLEW



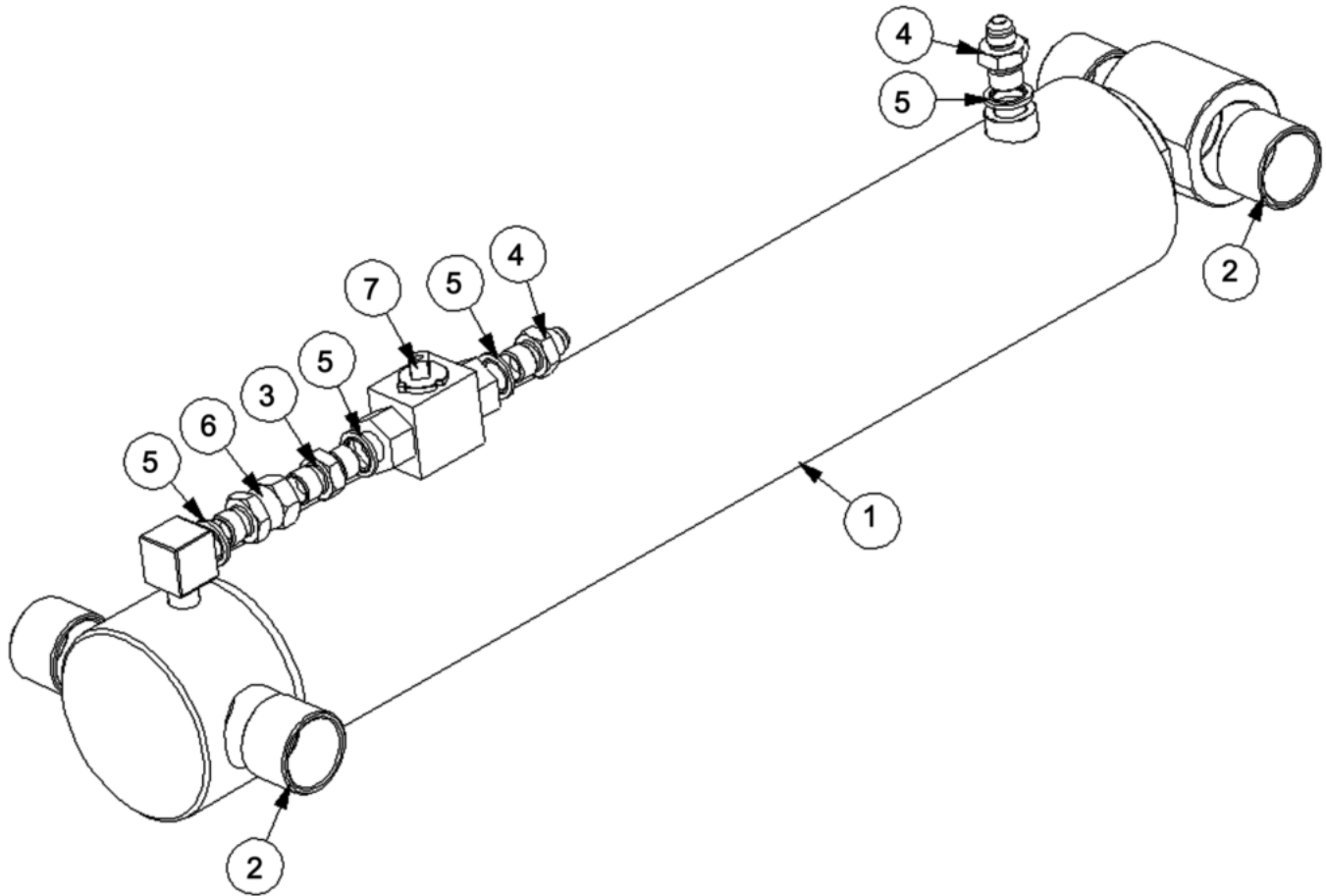
REF. NO.	PART NO.	DESCRIPTION	QTY.
	45288.10	Slew Ram JIC Assy	1
1	45288.05P	Slew Ram Assy-Painted	1
	8699525	Kit, Seal, Slew Ram	1
2	08.297.05	Bushing, Plastic 42 x 35 x 30	4
3	8650103	Seal, 3/8 BSP Bonded	4
4	08.955.06	Adaptor	1
5	8124121	Restrictor 3/8 BSP-9/16 JIC	1
6	08.200.01	Valve, Ball	1
7	6000113	3/8 BSP Double Male	1
8	8581178	Union,Swivel 3/8 BSP M-F	1

HYDRAULIC CYLINDER - REACH



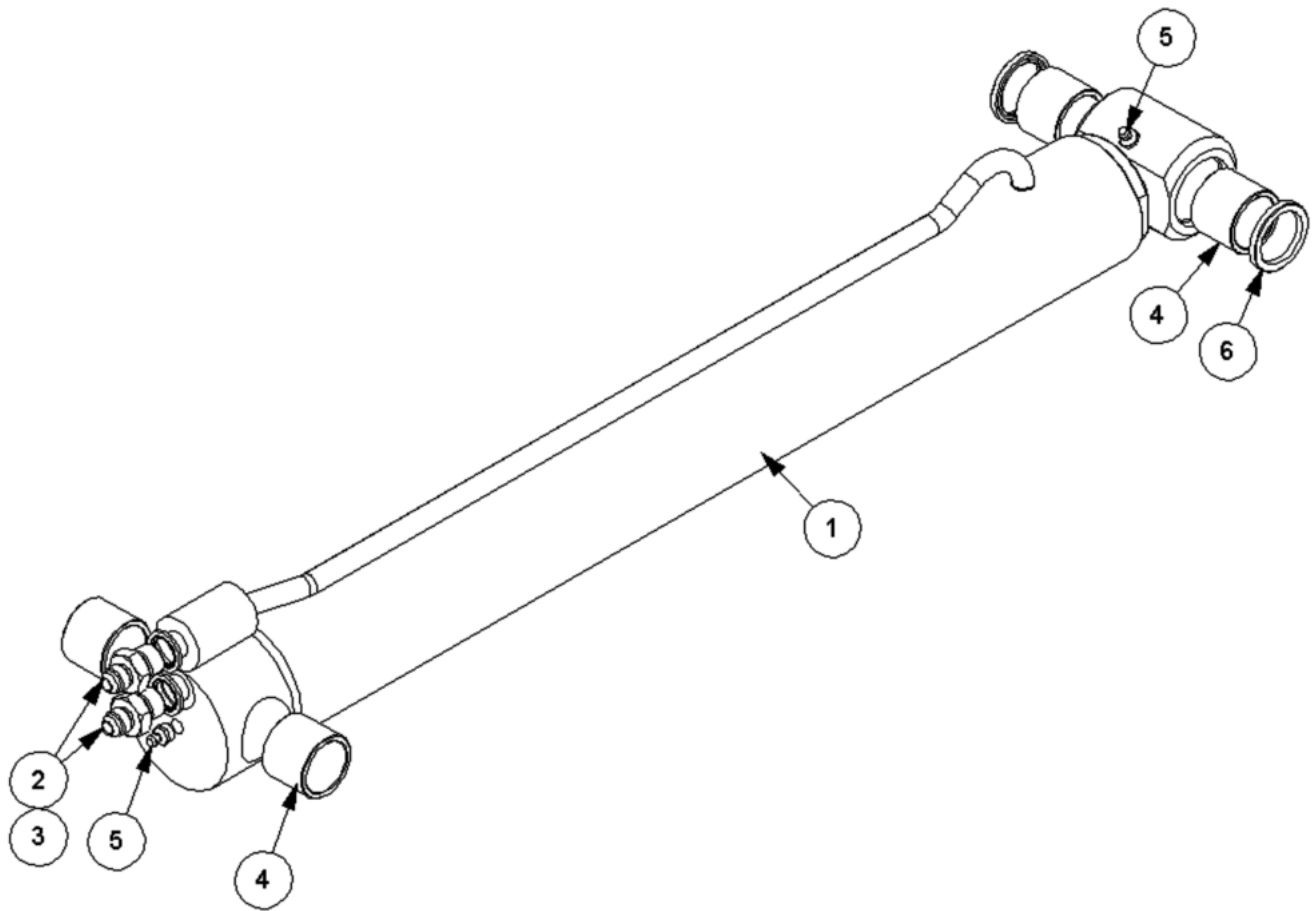
REF. NO.	PART NO.	DESCRIPTION	QTY.
	45288.09	Reach Ram Leopard 1046 JIC	1
1	45288.04P	Hydraulic Cylinder Assy-Painted	1
	8699258	Kit, Seal	1
2	08.297.05	Bushing, Plastic 42 x 35 x 30	4
3	08.955.06	Adaptor	2
4	8650103	Seal, 3/8 BSP Bonded	2

HYDRAULIC CYLINDER - LIFT



REF. NO.	PART NO.	DESCRIPTION	QTY.
	45895.10	Assy Lift Ram 90 x 40 x 475 JIC	1
1	45895.04P	Hydraulic Cylinder Assy - Lift	1
	43315.01	Kit, Seal, Lift Cylinder	1
2	08.297.05	Bushing,Plastic 42 x 35 x 30	5
3	6000113	Adapter Double Male 3/8 BSP	1
4	08.955.06	Adaptor	2
5	8650103	Seal, 3/8 BSP Bonded	4
6	8581178	Union, Swivel 3/8 BSP M-F	1
7	08.200.01	Valve, Ball	1

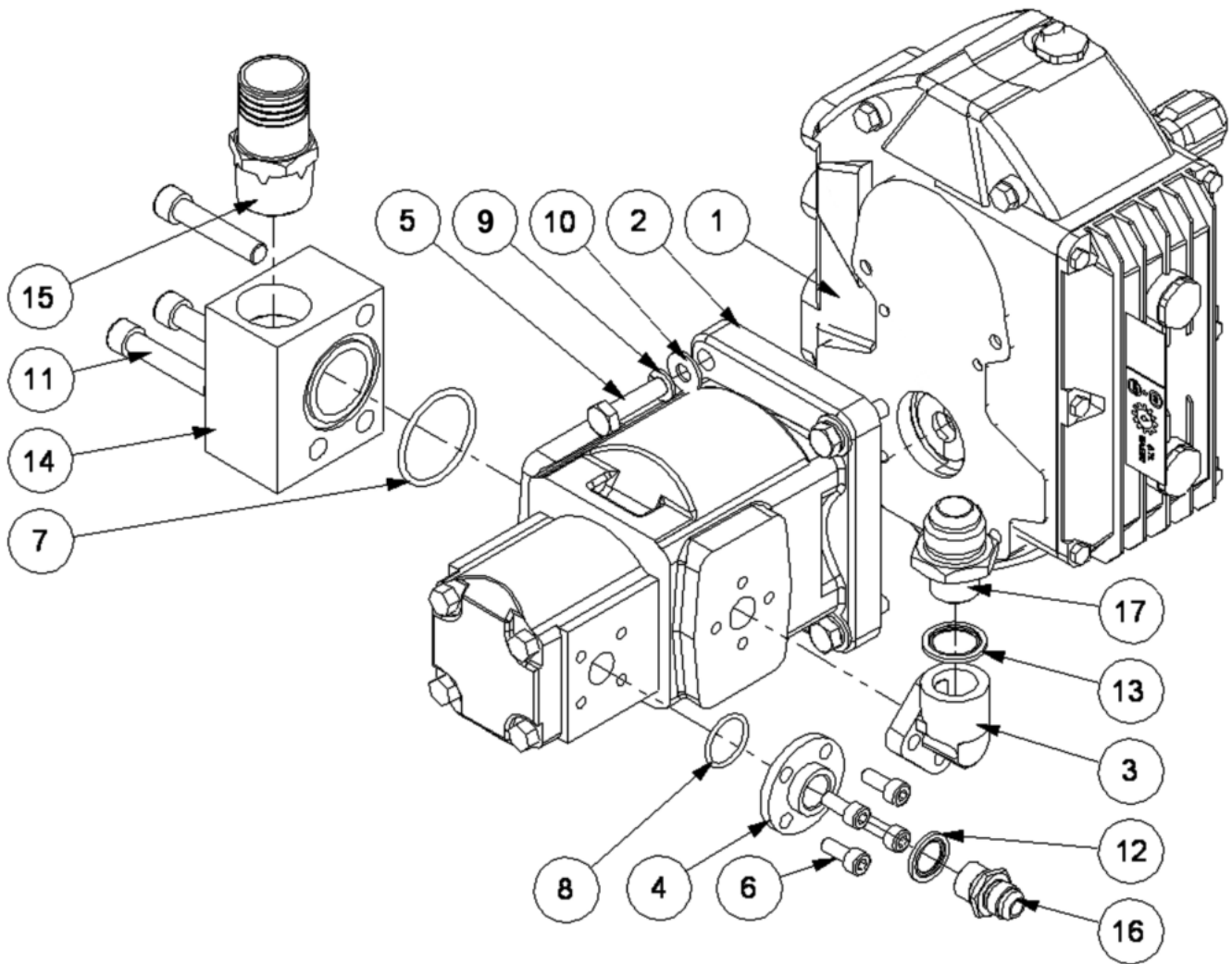
HYDRAULIC CYLINDER - ANGLE



REF. NO.	PART NO.	DESCRIPTION	QTY.
	43317.10	Angle Ram Assy PA52/59 JIC	1
1	43317.02P	Hydraulic Cylinder Assy - Angle	1
	43317.01	Kit, Seal, Angle Ram	1
2	08.955.06	Adaptor	2
3	8650103	Seal, 3/8 BSP Bonded	2
4	08.297.04	Bushing 37 x 30 x 30	4
5	0901121	Grease Nipple, 1/8	2
6	8629218	Seal, Lip 30 x 40 x 4	2

PUMP AND GEARBOX ASSEMBLY - BIMA (RMB1660)

(Used on Models with Serial Numbers M1400000 and Below)



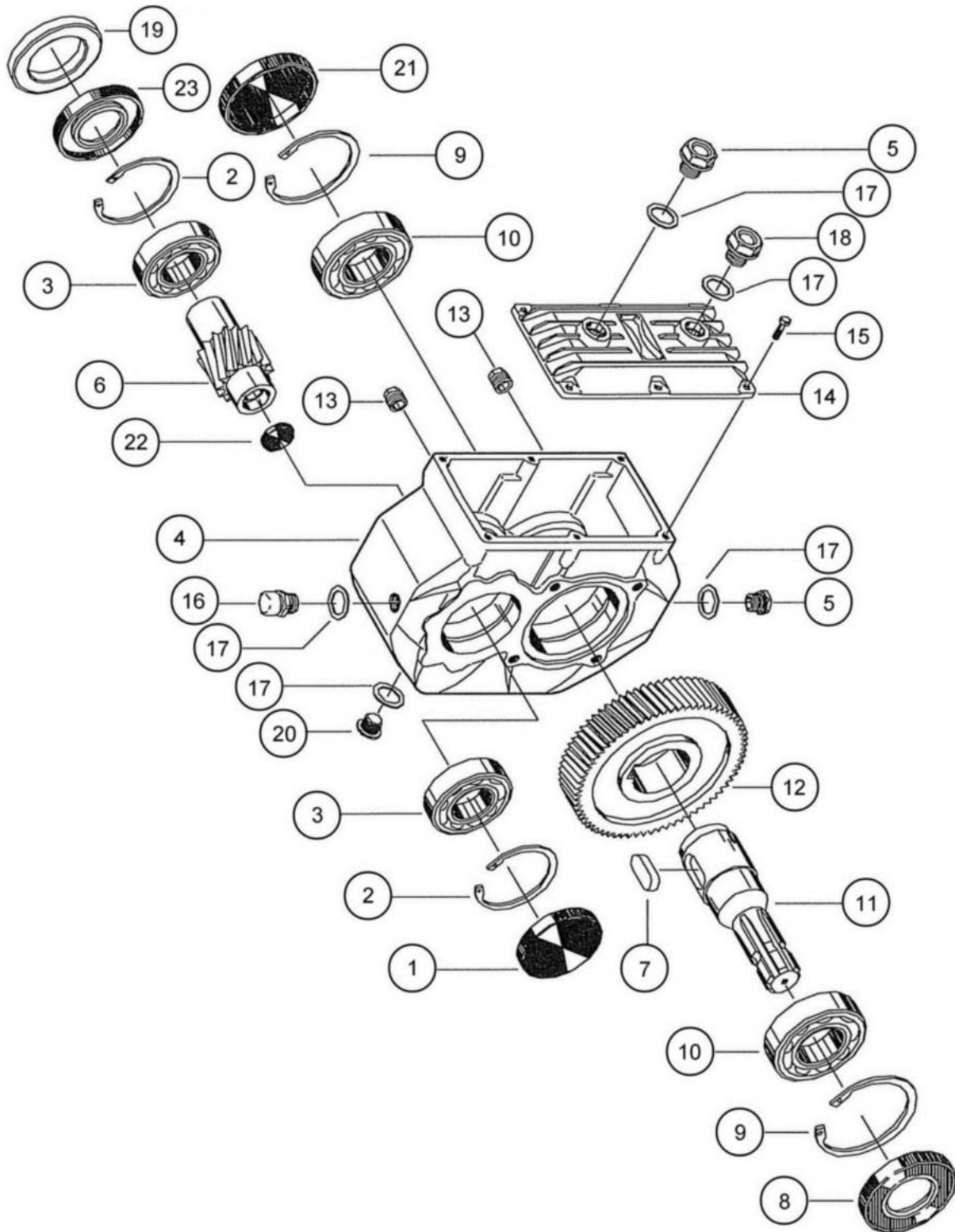
PUMP AND GEARBOX ASSEMBLY - BIMA (RMB1660)

(Used on Models with Serial Numbers M1400000 and Below)

REF. NO.	PART NO.	DESCRIPTION	QTY.
1	21931.01	Gearbox 4.25:1 13T, Bima	1
2	8201700	Pump,Tandem Iron	1
3	8005052	Pressure Connection Kit	1
4	42029.01	Flange-Pump Port 1/2" BSP	1
5	9313085	Capscrew M10 x 40 (Coarse) H.T.	4
6	9300147	Socket Capscrew M8 x 20	4
7	8600304	O-Ring 2 ID x 2-1/4 OD	1
8	8600405	O-Ring 1-1/16 ID x 1-1/4 OD	1
9	9100205	Lockwasher - 10mm Dia.	4
10	9100105	Flatwasher, 10.5 x 23.5 x 2.0	4
11	9243126	Capscrew M12 x 60 Skt.	3
12	8650104	Seal, 1/2 BSP Bonded	1
13	8650106	Seal, 3/4 BSP Bonded	1
14	42142.02	Block Suction Taper	1
15	8581367	Adaptor 1-1/4" BSPT x 1-1/2" L.P.	1
16	8120003	Adapter St 3/4 JIC-M x 1/2 BSP-M	1
17	8581192	Adapter 16 M JIC - 12 M BSPP	1

GEARBOX ASSEMBLY - PARTS (BIMA) (RMB1660)

(Used on Models with Serial Numbers M1400000 and Below)



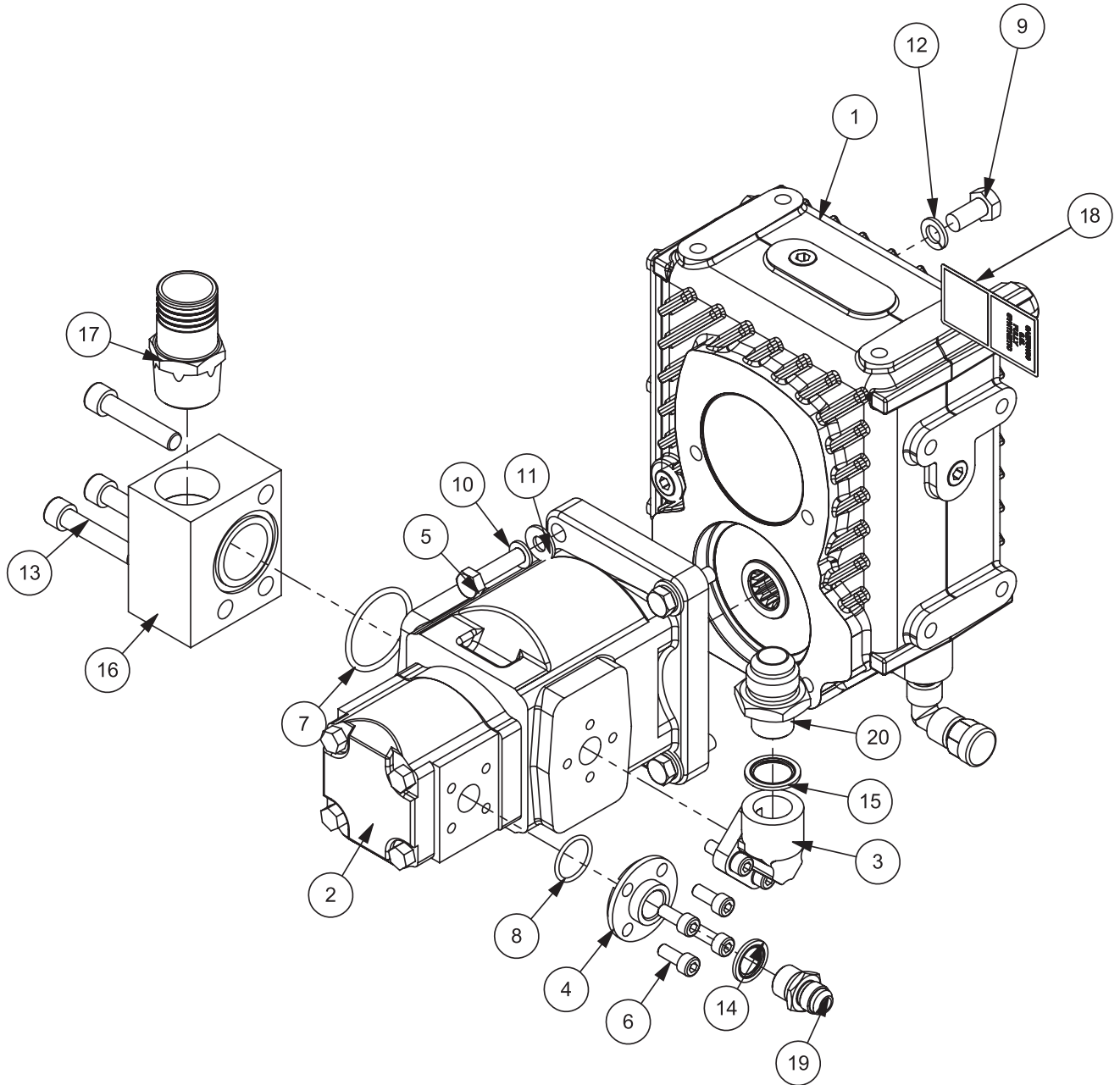
GEARBOX ASSEMBLY - PARTS (BIMA) (RMB1660)

(Used on Models with Serial Numbers M1400000 and Below)

REF. NO.	PART NO.	DESCRIPTION	QTY.
1	8013530	Cap-80mm Dia	1
2	8013529	Internal Circlip 80mm Dia	2
3	8013528	Bearing	2
4	8013585	Gearbox Casting	1
5	8013533	Drain Plug	2
6	8013575	Shaft	1
7	8013586	Driveshaft Key	1
8	8013526	Shaft Seal	1
9	8013525	Internal Circlip 90mm Dia	2
10	8013524	Bearing Larger	2
11	8013522	Input Shaft	1
12	8013587	Primary Gear	1
13	8013534	Level Plug	2
14	8013589	Gearbox Cover	1
15	9313033	Setscrew	6
16	8013590	Breather 1/2" BSP	1
17	8013591	Sealing Washer	5
18	8013592	Oil Plug	1
19	8013576	Ring	1
20	8013593	Oil Plug	1
21	8013527	Cap-90mm Dia	1
22	8013594	Oil Plug	1
23	8699264	Gearbox Seal	1

PUMP AND GEARBOX ASSEMBLY - COMER (RMB1660-1)

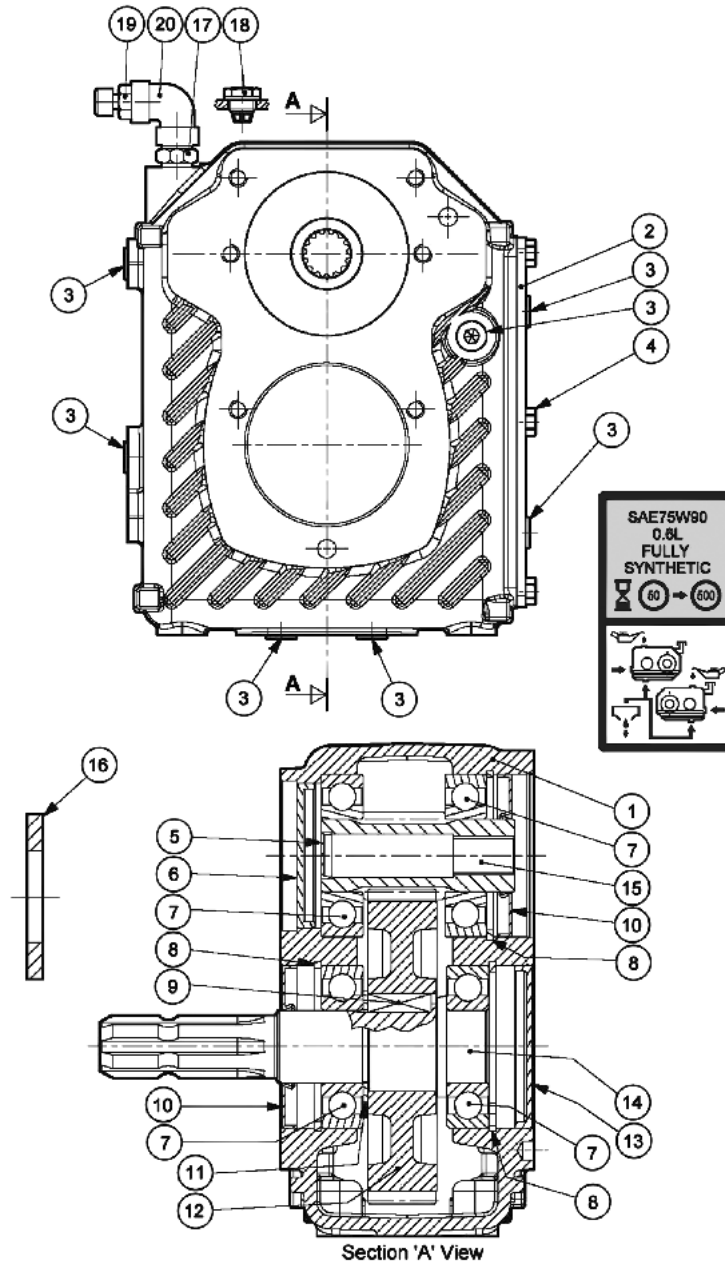
(Used on Models with Serial Numbers Above M1400000)



REF. NO.	PART NO.	DESCRIPTION	QTY.	REF. NO.	PART NO.	DESCRIPTION	QTY.
1	22927.05	Comer Gearbox Group 2/3 13T 1:4.23	1	11	9100105	Flatwasher, 10.5 x 23.5 x 2.0	4
2	8201700	Pump, Iron TI	1	12	9100206	Lockwasher, 12MM	4
3	8005052	Pressure Connection Kit	1	13	9243126	Capscrew M12 x 60 Skt.	3
4	42029.01	Flange-Pump Port 1/2" BSP	1	14	8650104	Seal, 1/2 BSP Bonded	1
5	9313085	Capscrew M10 x 40 (Coarse) H.T.	4	15	8650106	Seal, 3/4 BSP Bonded	1
6	9300147	Socket Capscrew M8 x 20	4	16	42142.02	Block Suction Taper	1
7	8600304	O-Ring 2 ID x 2-1/4 OD	1	17	8581367	Adaptor 1-1/4" BSPT x 1-1/2" L.P.	1
8	8600405	O-Ring 1-1/16 ID x 1-1/4 OD	1	18	1291025	Comer Gearbox Decal	1
9	9313056	Setscrew, M12 x 25	4	19	8120003	Adapter St 3/4 JIC-M x 1/2 BSP-M	1
10	9100205	Lockwasher, 10mm Dia.	4	20	8581192	Adapter 16 M JIC - 12 M BSPP	1

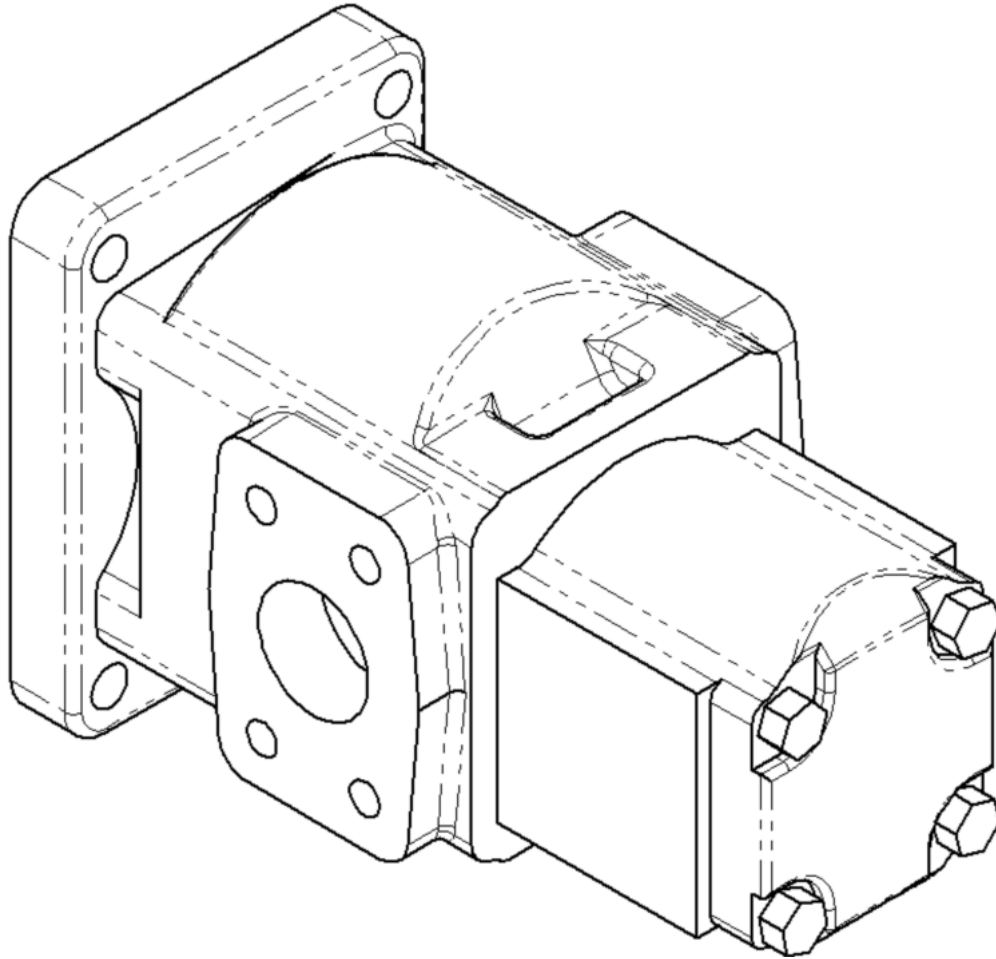
GEARBOX ASSEMBLY - PARTS (COMER) (RMB1660-1)

(Used on Models with Serial Numbers Above M1400000)



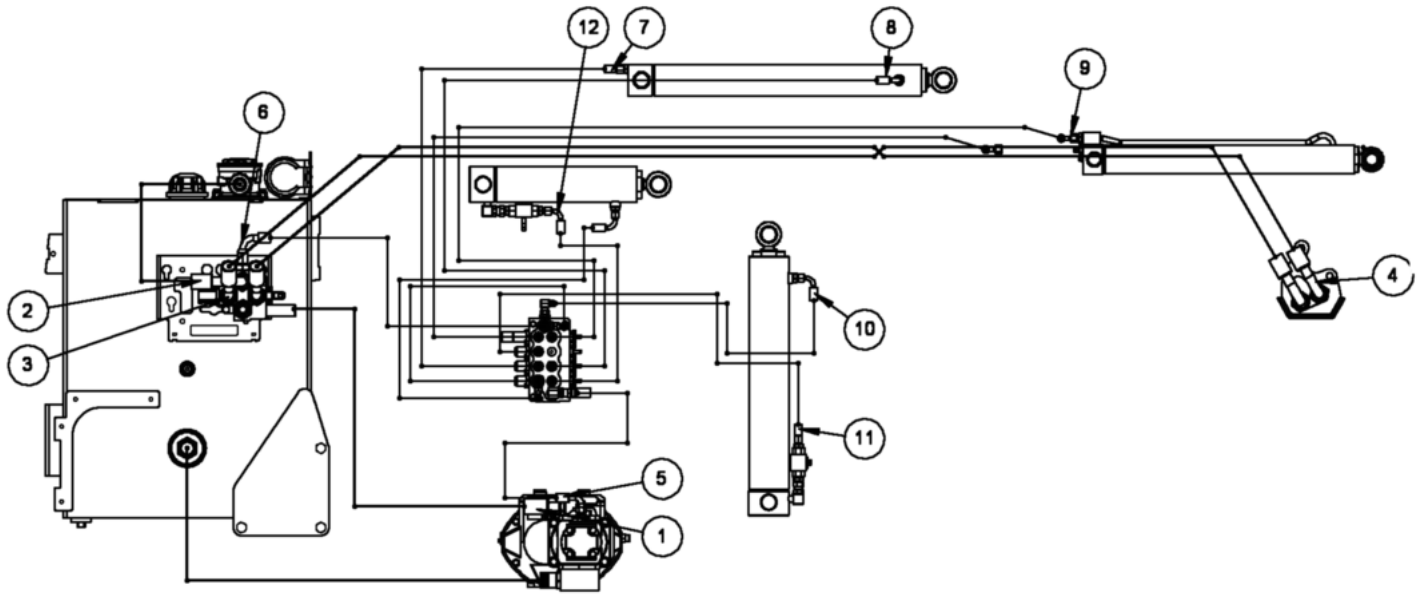
REF. NO.	PART NO.	DESCRIPTION	QTY.	REF. NO.	PART NO.	DESCRIPTION	QTY.
1	22927.31	Casing	1	11	22927.40	Shim, 61.7 x 2.5	1
2	22927.32	Cover	1	12	22927.41	Gear, Z51 M3	1
3	22927.33	Plug, 3/8"	9	13	22927.43	Cap, 90 x 10	1
4	22927.34	Bolt, M8 x 18, 8.8	6	14	22927.44	Input Shaft	1
5	22927.35	Cap, 26 x 4	1	15	22927.45	Pinion, Z17 M3	1
6	22927.36	Cap, 80 x 10	1	16	22927.47	Spacer	1
7	22927.37	Ball Bearing, 6308	4	17	22927.48	Connector, 3/8" Male/Male	1
8	22927.38	Snap Ring, 90 UNI7438	3	18	22927.49	Plug, Oil Level Ind Window, 3/8"	1
9	22927.39	Key, Parallel, B16 x 10 x 35	1	19	8013568	Filler Plug	1
10	21459.55	Oil Seal, 40 x 90 x 8/7	2	20	22927.50	Elbow, 90 Deg.	1

PUMP ASSEMBLY



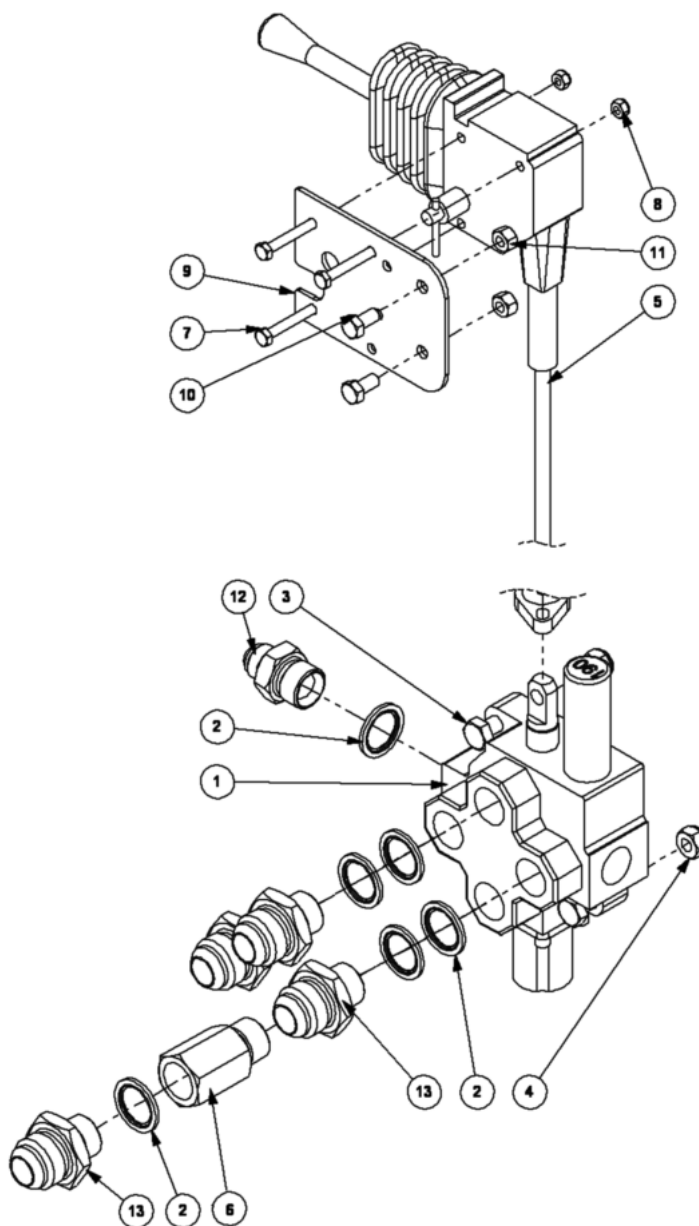
PART NO.	DESCRIPTION	QTY.
8201700	Tandem Pump Assy	1
8201165	Pump (Front Half Of 8201685)	1
8699234	Seal Kit For Pump 8201685	1
8201728	Rear Pump For 8201700 For Unts	1
8201729	Parker Male Male Coupling For	1

HOSE KIT



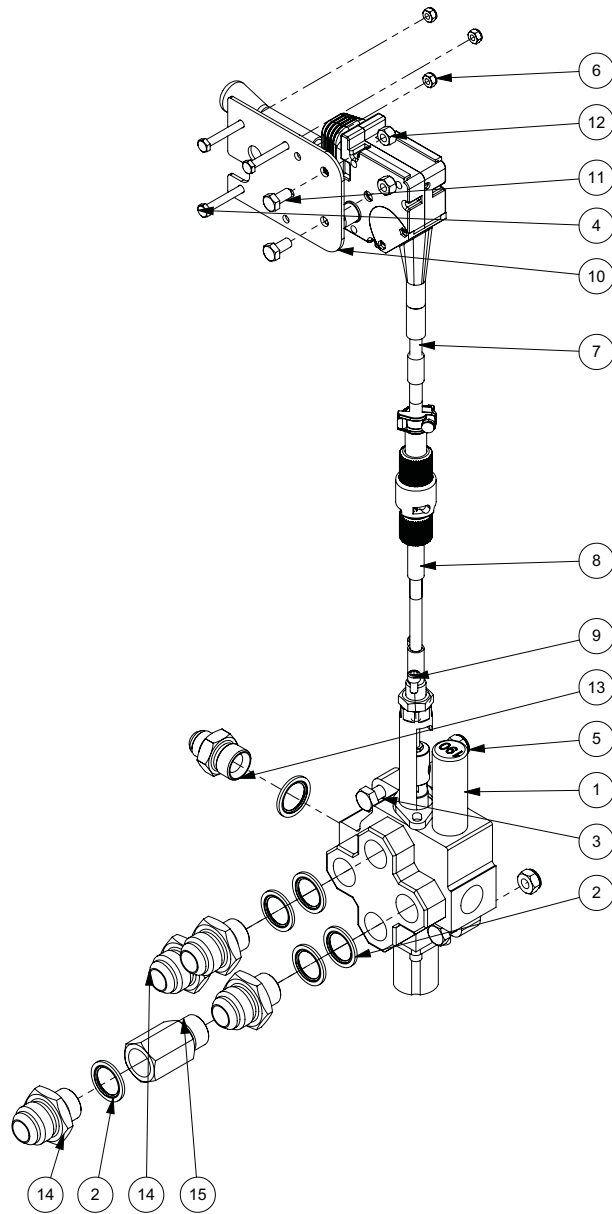
REF. NO.	PART NO.	DESCRIPTION	QTY.
1	08.961.01	Hose 1 Bore x 500 JIC 90 XST	1
2	08.961.02	Hose 1-5/16" JIC FS/F 90 550 mm Lg	1
3	41677.08	Hose 1-5/16" JIC FS/F 135 1900 Lg	2
4	08.961.43	Hose 1 Bore x 3200 mm	2
5	08.958.06	Hose 3/4" JIC FS/F90 x 400	1
6	41671.11	Hose 7/8" JIC FS/F90 550 mm Lg	1
7	41721.29	Hose 9/16" JIC FS/FS 1900 Lg	1
8	08.957.34	Hose 1/4 bore x 6500 STX 90 JIC	1
9	08.957.50	Hose 1/4 x 4200 JIC 90/St	2
10	08.957.20	Hose 1/4 Bore x 1200 mm	1
11	41721.22	Hose 9/16" FS/FS 1200 Lg	1
12	08.957.16	Hose 9/16" JIC FS/F90 900 Lg	2

CABLE ROTOR CONTROL VALVE ASSEMBLY WITHOUT QUICK RELEASE CABLE (RMB1660)



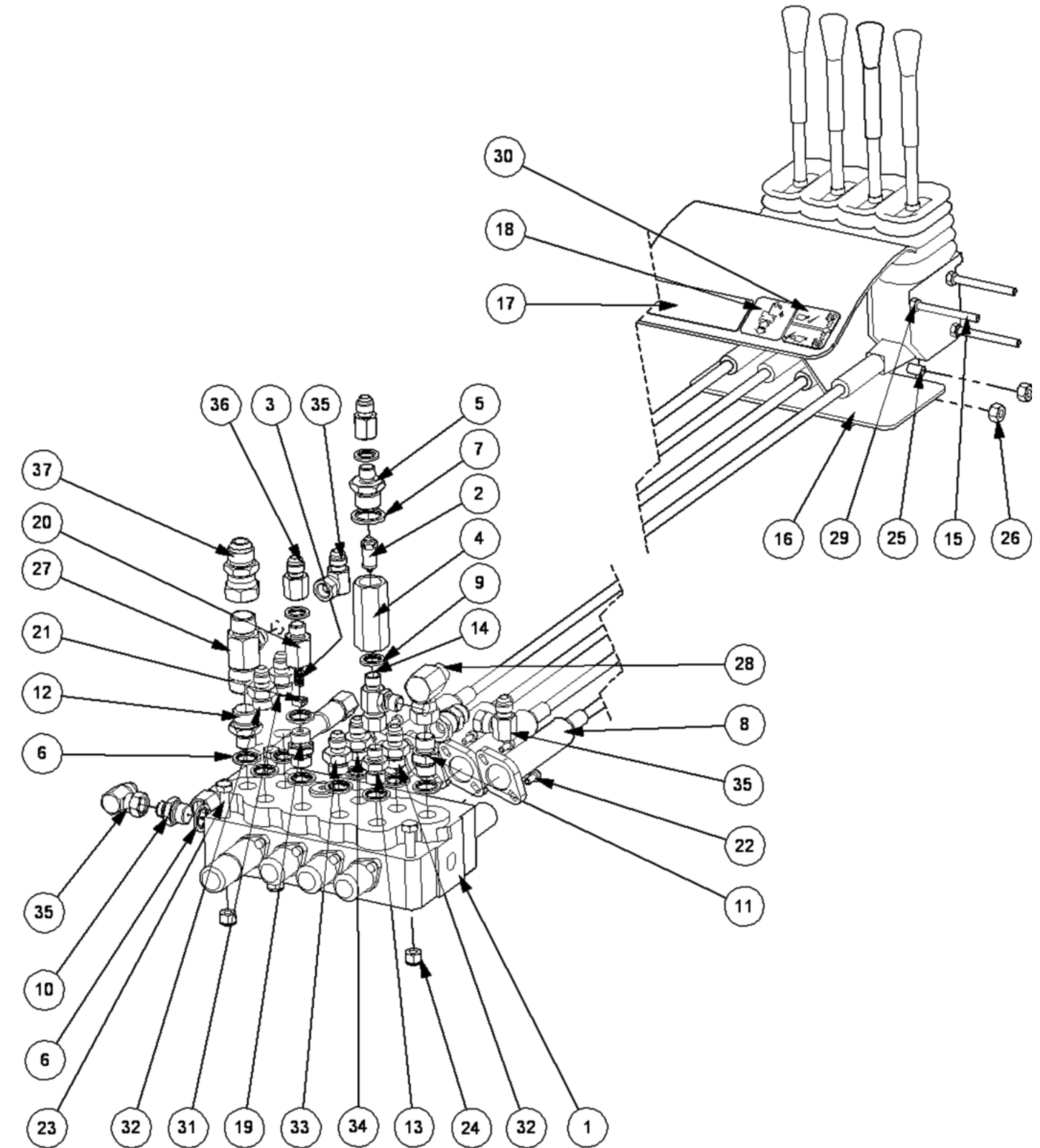
REF. NO.	PART NO.	DESCRIPTION	QTY.
1	8125356	Valve, Rotor Control (190 Bar)	1
2	8650106	Seal, 3/4 BSP Bonded	6
3	9213085	Capscrew M10-P1.5 - 40mm PL	2
4	9163005	Nut M10 Nyloc	2
5	8017052	Control Hd/Cable Assy-3.5m	1
6	8581224	Extension Adapter 3/4" BSP M-F	1
7	9213113	Capscrew M6 x 55 (Coarse) H.T.	3
8	9163003	Nut M6 Nyloc	3
9	7650282	Control Cable Brkt	1
10	9313034	Capscrew M8-P1.25 x 16mm	2
11	9113004	Nut 8mm-P1.25 PL	2
12	8581271	Adapter 3/4 M BSP-7/8 M JIC	1
13	8581192	Adapter 16 M JIC - 12 M BSPP	4

CABLE ROTOR CONTROL VALVE ASSEMBLY WITH QUICK RELEASE CABLE (RMB1660-1)



REF. NO.	PART NO.	DESCRIPTION	QTY.
1	8125356	Valve, Rotor Control (190 Bar)	1
2	8650106	Seal, 3/4 BSP Bonded	6
3	9213085	Capscrew M10-P1.5 - 40mm PL	2
4	9213113	Bolt M65 x 55	3
5	9163005	Locknut M10, Nyloc	2
6	9163003	Locknut M6, Nyloc	3
7	8017089	Control Head RCV	1
8	8017091	Cable RCV	1
9	9343023	Capscrew M16 x 2	2
10	7650282	Control Cable Bracket	1
11	9313034	Setscrew M8 x 16	2
12	9113004	Nut 8mm-P1.25 PL	2
13	8581271	Adapter 3/4 M BSP-7/8 M JIC	1
14	8581192	Adapter 16 M JIC - 12 M JIC	4
15	8581224	Extension Adaptor 3/4" JIC	1

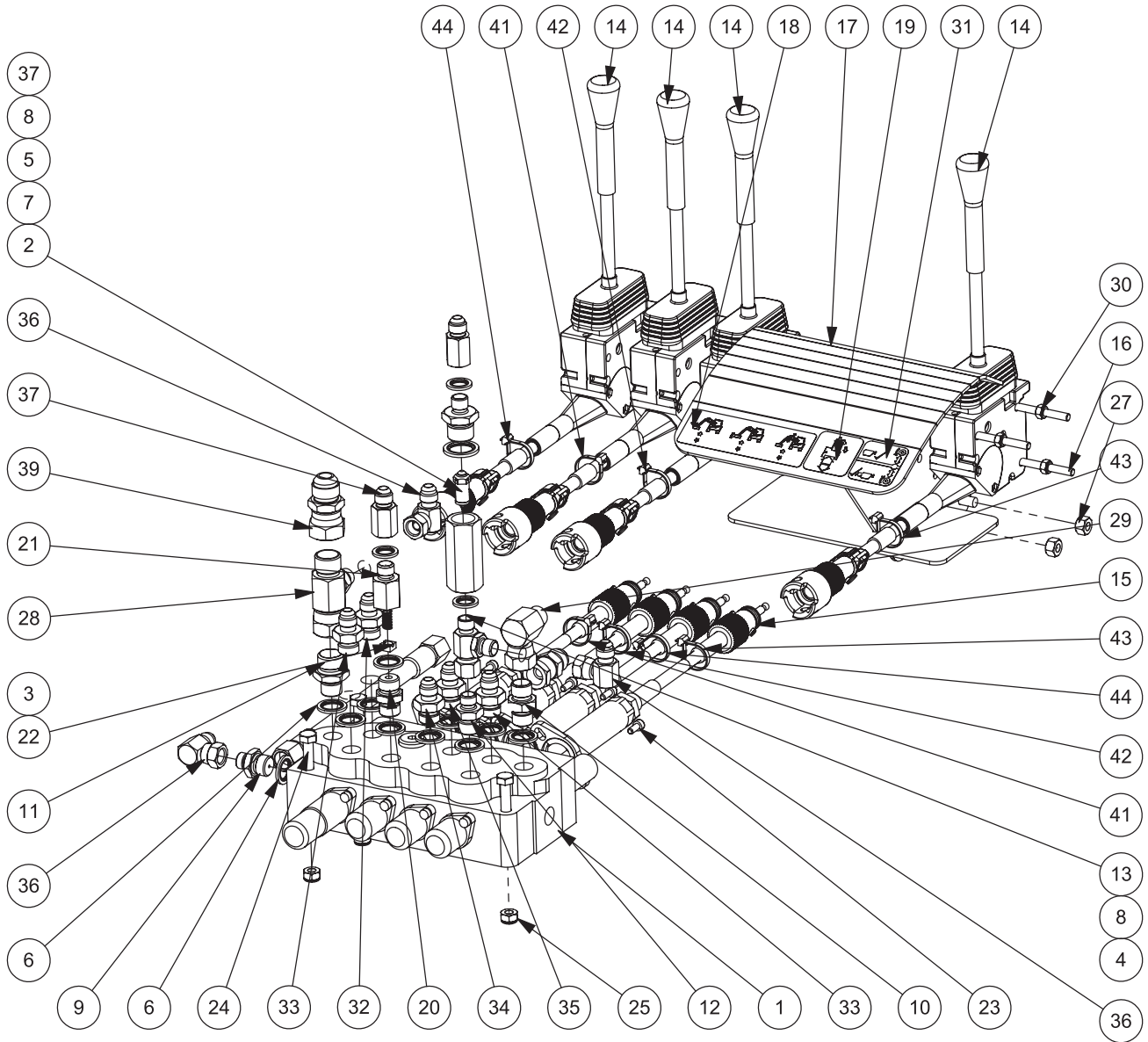
CABLE ARMHEAD CONTROL VALVE WITHOUT QUICK RELEASE CABLES (RMB1660)



CABLE ARMHEAD CONTROL VALVE WITHOUT QUICK RELEASE CABLES (RMB1660)

REF. NO.	PART NO.	DESCRIPTION	QTY.
1	8130466	Control Valve 4 Spool	1
2	8130124	Relief Valve Cartridge	1
3	8116011	Spring .275 x 23 Swg x 5/8 Lg	2
4	8130156	Relief Valve Housing	1
5	8130083	Body, Relief Valve	1
6	8650103	Seal, 3/8 BSP Bonded	11
7	8650104	Seal, 1/2 BSP Bonded	1
8	8017050	Control Hd/Cable Assy-3.5m	4
9	8650102	Seal, 1/4 BSP Bonded	3
10	8130067	Restrictor 1/4-3/8 BSP	1
11	6000113	Adaptor 3/8 BSP M/M	1
12	05.123.01	Adaptor 1/2 x 3/8 BSP M/M	1
13	8581115	Adaptor, 1/4 x 3/8 BSP Male	1
14	8581254	Tee Adaptor 1/4 BSP M-F-M	1
15	04.282.71	Stud M6 x 233 Plated	3
16	7650307	Arm Rest Brkt W/A	1
17	1290368	Decal, Control	1
18	1290541	Decal-Slew SMA1046	1
19	8581209	Union 3/8 BSPM x 3/8 BSPM	1
20	8581214	Restrictor Adaptor 1/4" BSP	1
21	8123044	Restrictor Disc, 1.8mm Orifice	1
22	9343022	Shcs Metric 5-P0.8 - 12mm PL9	8
23	9213134	Bolt	3
24	9163004	Nut Nyloc M8	3
25	9313034	Capscrew M 8-P1.25- 16mm	2
26	9113004	Nut 8mm-P1.25 PI	2
27	04.056.25	Tee 1/2 - 1/2 - 1/4 Fmm	1
28	8581117	Connector, 3/8 BSP 90deg.	1
29	9163003	Nut M6 Nyloc	6
30	1290338	Decal, Rotor Control Valve	1
31	8124120	Restrictor 3/8 BSP-9/16 JIC	1
32	8124121	Restrictor 3/8 BSP-9/16 JIC	2
33	8124118	Restrictor 3/8 BSP-9/16 JIC	1
34	8124125	Restrictor 3/8 BSP-9/16 JIC	1
35	05.835.11	Adaptor, Swivel 90-1/4 x 9/16 JIC	3
36	8581341	Adaptor 1/4 BSPF x 9/16 JICM	2
37	8581220	Adaptor 1/2 BSPF-7/8 JIC M	1

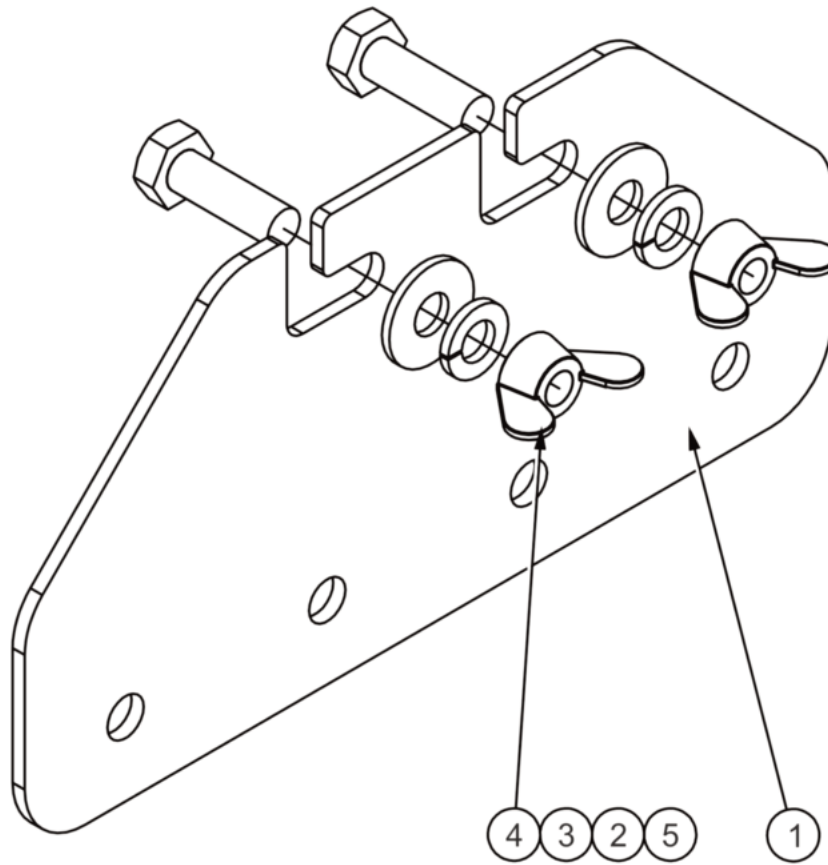
CABLE ARMHEAD CONTROL VALVE WITH QUICK RELEASE CABLES (RMB1660-1)



CABLE ARMHEAD CONTROL VALVE WITH QUICK RELEASE CABLES (RMB1660-1)

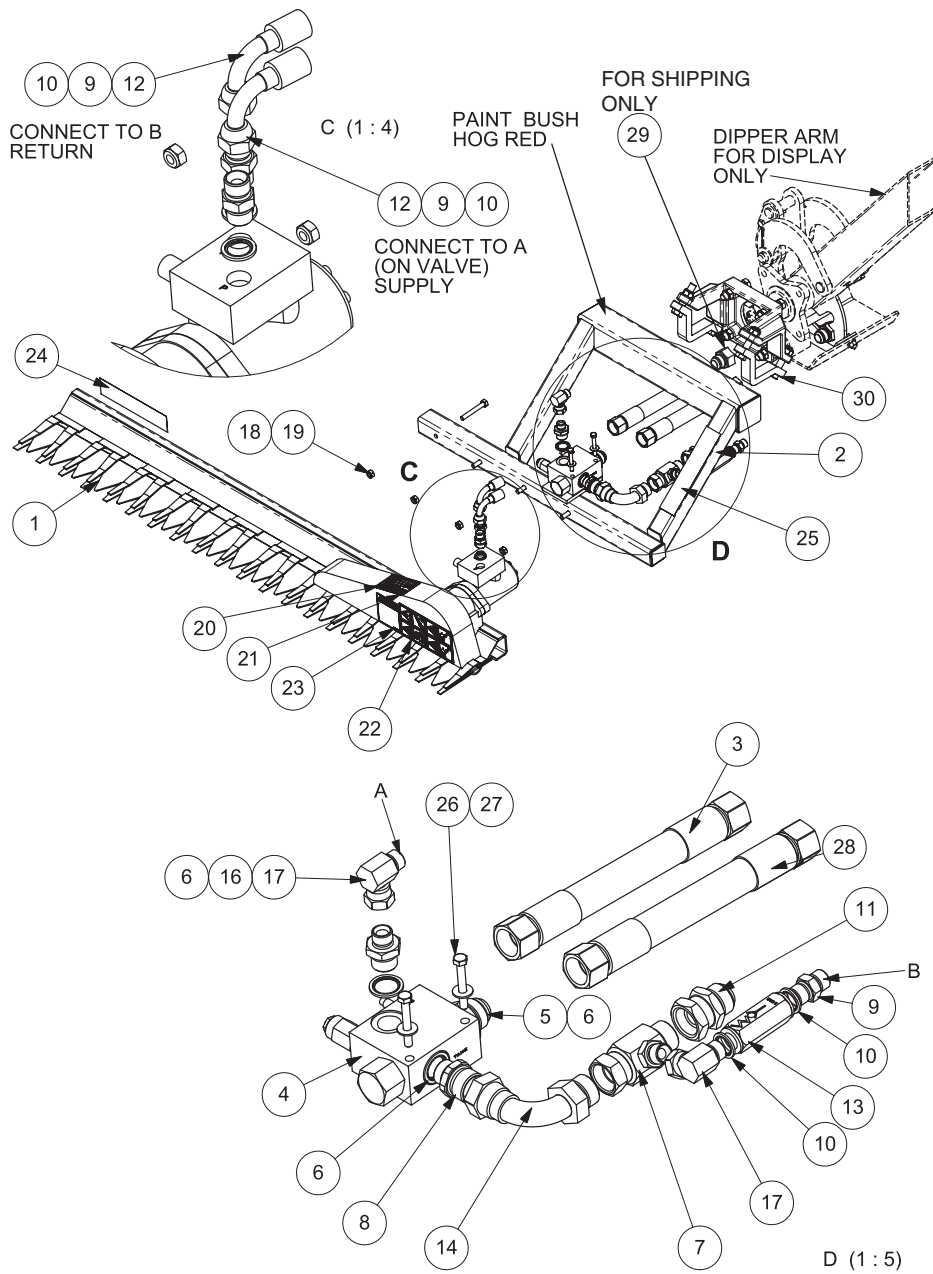
Ref. No.	Part No.	Description	Qty. Req'd.	NOTES
1	8130466	4 Spool Control Valve	1	
2	8130124	Relief Valve 140 Bar	1	
3	8116011	Spring OD .275" x 5/8" Lg	2	
4	8130156	Relief Valve Housing	1	
5	8130083	Adaptor Relief Body	1	
6	8650103	Bonded Seal 3/8" BSP	11	
7	8650104	Bonded Seal 1/2" BSP	1	
8	8650102	Bonded Seal 1/4" BSP	3	
9	8130067	Adap. Rest. 3.2 'E'	1	
10	6000113	Adaptor 3/8" BSP mm	1	
11	05.123.01	3/8" BSP x 1/2" BSP mm Adaptor	1	
12	8581115	Adaptor 3/8" x 1/4" BSP mm	1	
13	8581254	Adaptor Tee 1/4" BSP MFM	1	
14	8019090	Quick Release Head - Armhead 0.4m	4	Serial No's. M1641954 and above
	8017090	Quick Release Head - Armhead 0.4m	4	Serial No's. M1641953 and below
15	8019093	Quick Release Cable Acv 3.1m	4	Serial No's. M1641954 and above
	8017093	Quick Release Cable Acv 3.1m	4	Serial No's. M1641953 and below
16	04.282.71	Stud M6 x 233	3	
17	7650307	Cable Armrest W.A.-Tmc 5 Lever	1	
18	1290368	Decal - Cable, Reach-Angle-Lift	1	
19	1290541	Decal - Slew	1	
20	8581209	3/8" BSP mm Adapter	1	
21	8581214	Restrictor Body 1/4" BSP M	1	
22	8123044	Restrictor Disc 1.8mm Orifice	1	
23	9343022	Capscrew M5 x 12	8	
24	9213134	Bolt M8 x 65	3	
25	9163004	Nyloc Nut M8	3	
26	9313034	Setscrew M8 x 16	2	
27	9113004	Nut M8	2	
28	04.056.25	Adaptor Tee 1/2" BSPMF+1/4M	1	
29	8581117	Adaptor Elbow 3/8" BSP MF	1	
30	9163003	Nyloc Nut M6	6	
31	1290338	Decal - Rotor Control Valve	1	
32	8124120	Adap. Rest. 1.3mm 3/8" BSP-9/16 JIC	1	
33	8124121	Adap. Rest. 1.15mm 3/8" BSP-9/16 JIC	2	
34	8124118	Adap. Rest. 1.8mm 3/8" BSP-9/16 JIC	1	
35	8124125	Adap. Rest. 1.5mm 3/8" BSP-9/16 JIC	1	
36	05.835.11	1/4" BSP F x 9/16" JIC M Swivel Elbow	3	
37	8581341	Adaptor 1/4" BSP F x 9/16" JIC M	2	
38	8581221	Adaptor 3/8" BSP F x 3/4" JIC M	1	
39	8581220	1/2" BSP F To 7/8" JIC M Swivel Adaptor	1	
40	41721.08	9/16" JIC FS/FS 400	1	
41	22941.05	Green Cable Tie	2	
42	22941.04	Yellow Cable Tie	2	
43	22941.02	Blue Cable Tie	2	
44	22941.01	Red Cable Tie	2	

CAB CONTROL MOUNT



REF. NO.	PART NO.	DESCRIPTION	QTY.
1	42491.01	Mount Plate	1
2	9100104	Flatwasher 8mm	2
3	9100204	Lockwasher 8mm	2
4	9193004	Wing Nut	2
5	9313054	Capscrew M8 x 25	2

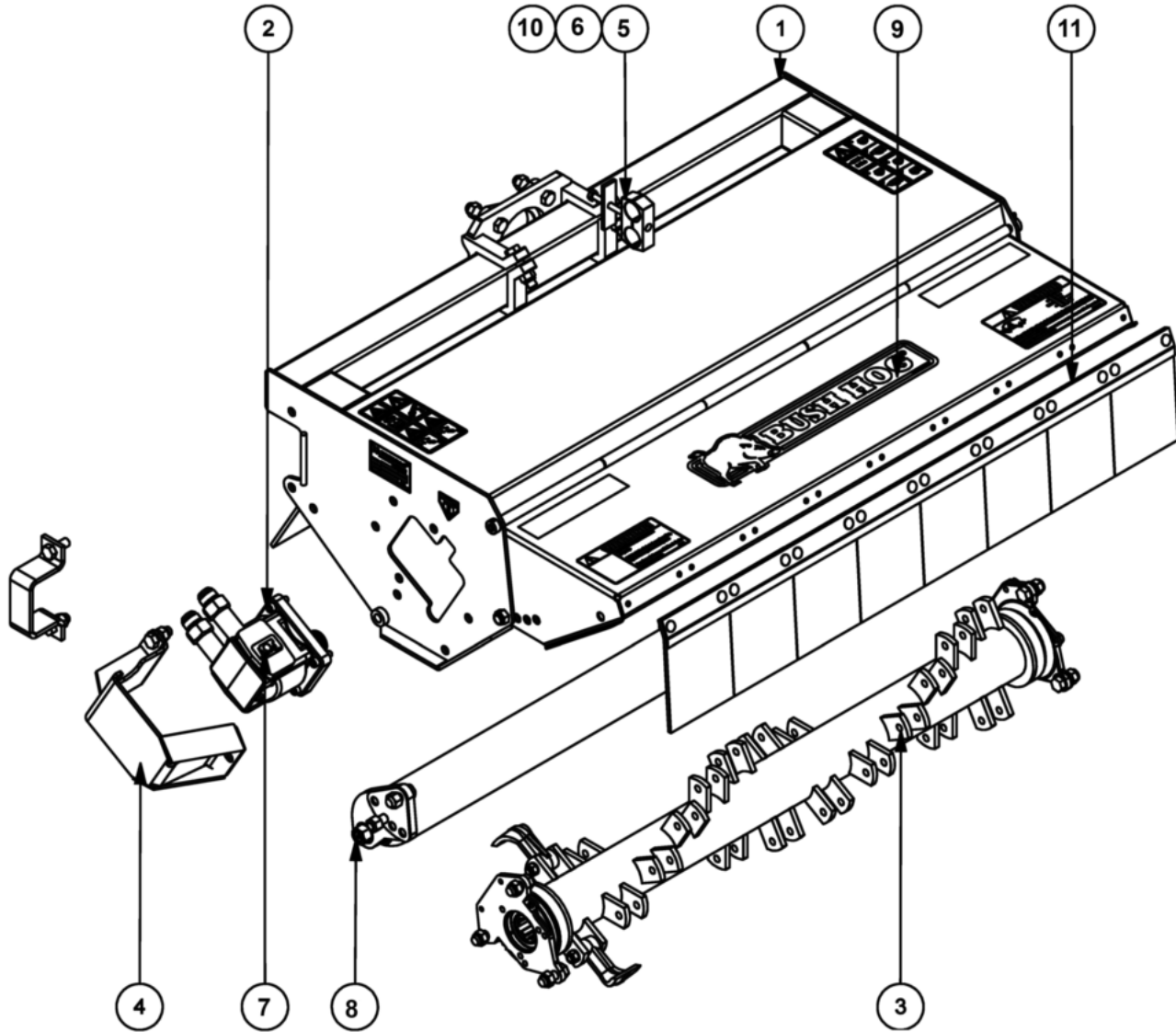
SHEARTRIM SICKLEBAR (59" WIDE)



REF. NO.	PART NO.	DESCRIPTION	QTY.
1	42018.05	Cutter Bar, RH	1
2	42019.12	Cutterbar Bracket 80 Box RH	1
3	08.962.99	1-5/16" JIC FS/FS 450mm Lg	1
4	42844.01	Flow Control Valve	1
5	8581192	Adp Hyd Straight 16MJ - 12MBSPP	1
6	8650106	Seal, 3/4" BSP Bonded	3
7	04.056.34	Adaptor Tee 1" MF + 1/2" BSP MM	1
8	8002086	Adaptor 3/4" x 1" BSP MM	1
9	8581110	Male Union, 1/2" x 1/2" BSP	3
10	8650104	Seal, 1/2" BSP Bonded	4
11	8581233	Adaptor, 1/2" BSP x 1-5/16" M JIC	1
12	10.006.10	Hose 1/2" BSP STX90 S.Seal 500	2
13	8130694	Check Valve, 2.0 Bar	1
14	8581264	Adaptor, 1" BSP MF Swept 90	1

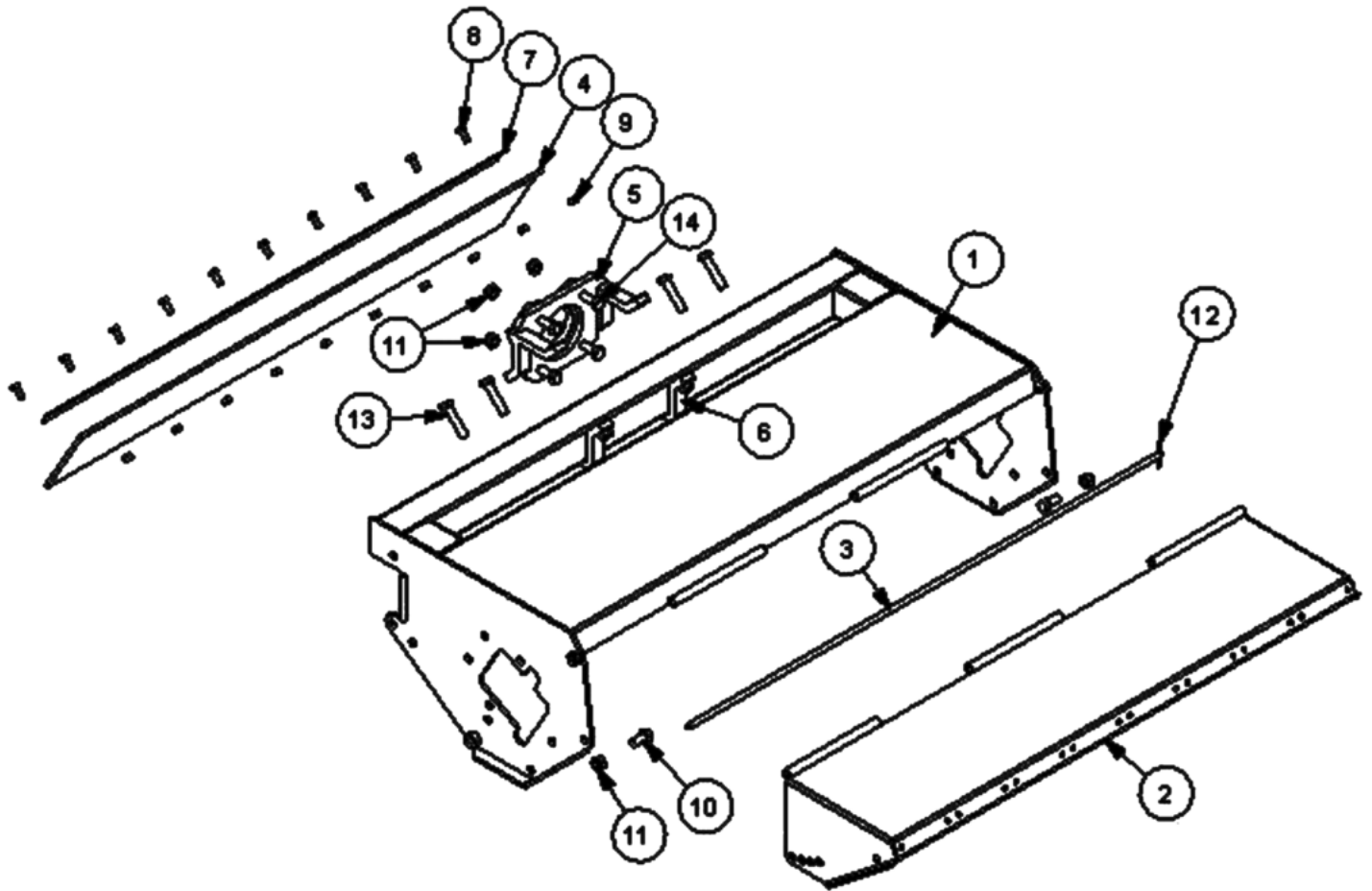
REF. NO.	PART NO.	DESCRIPTION	QTY.
16	8581130	Adaptor, 3/4" BSP x 1/2" BSP	1
17	G5200331	Adaptor, 1/2" BSP MF Elbow Short	2
18	9213155	Capscrew M10 x 75	4
19	00765676	Locknut, M10-P1.5	4
22	09.821.35	Combined Decal	1
23	3688303	Decal, Danger Severed Fingers	1
24	1458392	Decal, Red Reflector	1
25	1458393	Decal, Yellow Reflector	1
26	9213124	Bolt, M8 x 60	2
27	9100104	Flatwasher, M8	2
28	08.962.98	Hose, 1-5/16" JIC FS/FS 400mm Lg	1
29	05.433.14	Plug, 1-5/16" JIC Steel	2
30	7198411	Clamp Kit, 4-Bolt > 80 Box	1

FLAILHEAD - SUPERCUT (47" WIDE)



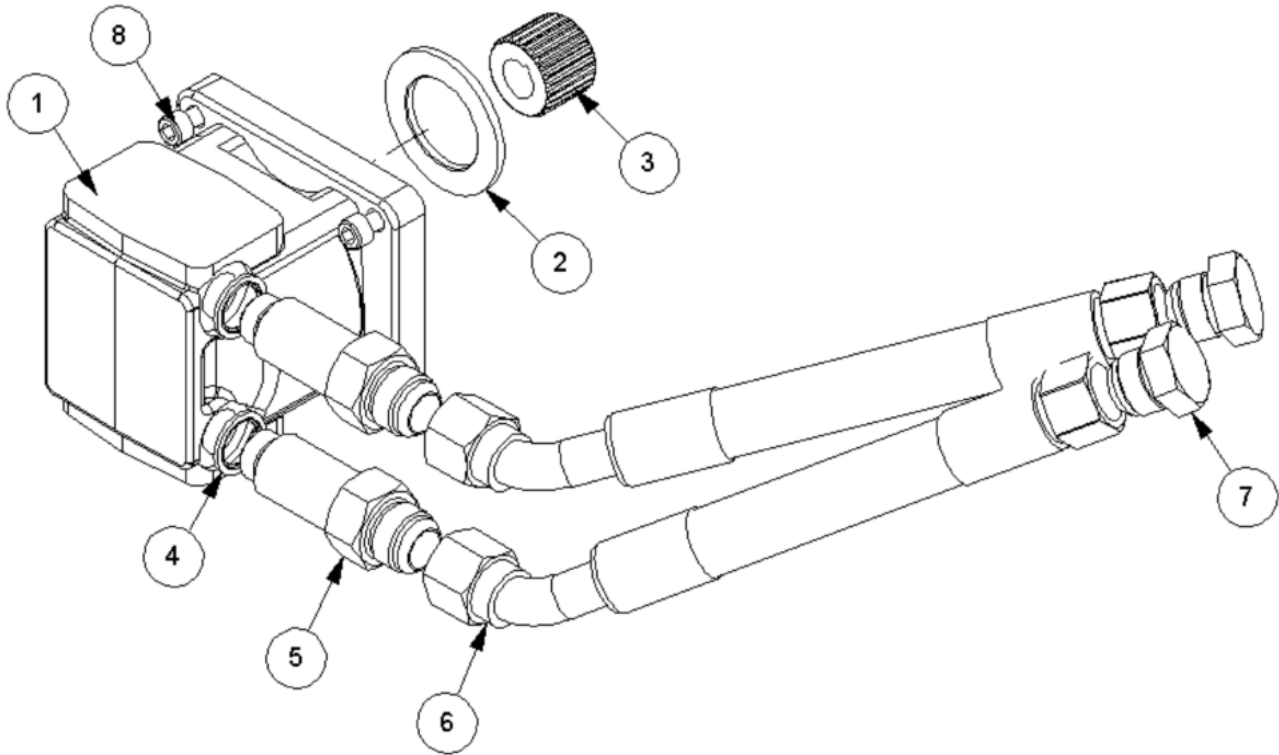
REF. NO.	PART NO.	DESCRIPTION	QTY.
1	-----	1.2m Supercut Casing Module	1
2	-----	100LPM Drive Module 54HP 1.2m	1
3	-----	1.2m Rotor Assy S-Cut F91 Comp	1
4	-----	1.2m S/Cut Motor Cover Module	1
5	7193063	1" BSP Pair Hose Clamps	1
6	9213155	Capscrew M10 x 75	1
7	21917.02	Head Decal	1
8	22808.01	Roller Assy-1.2m Supercut	1
9	-----	Head Decal Kit Multicut	1
10	06.418.05	Clamp Plate - Pipe Clamp	1
11	-----	Flap Kit, Front	1

CASING - SUPER CUT FLAILHEAD



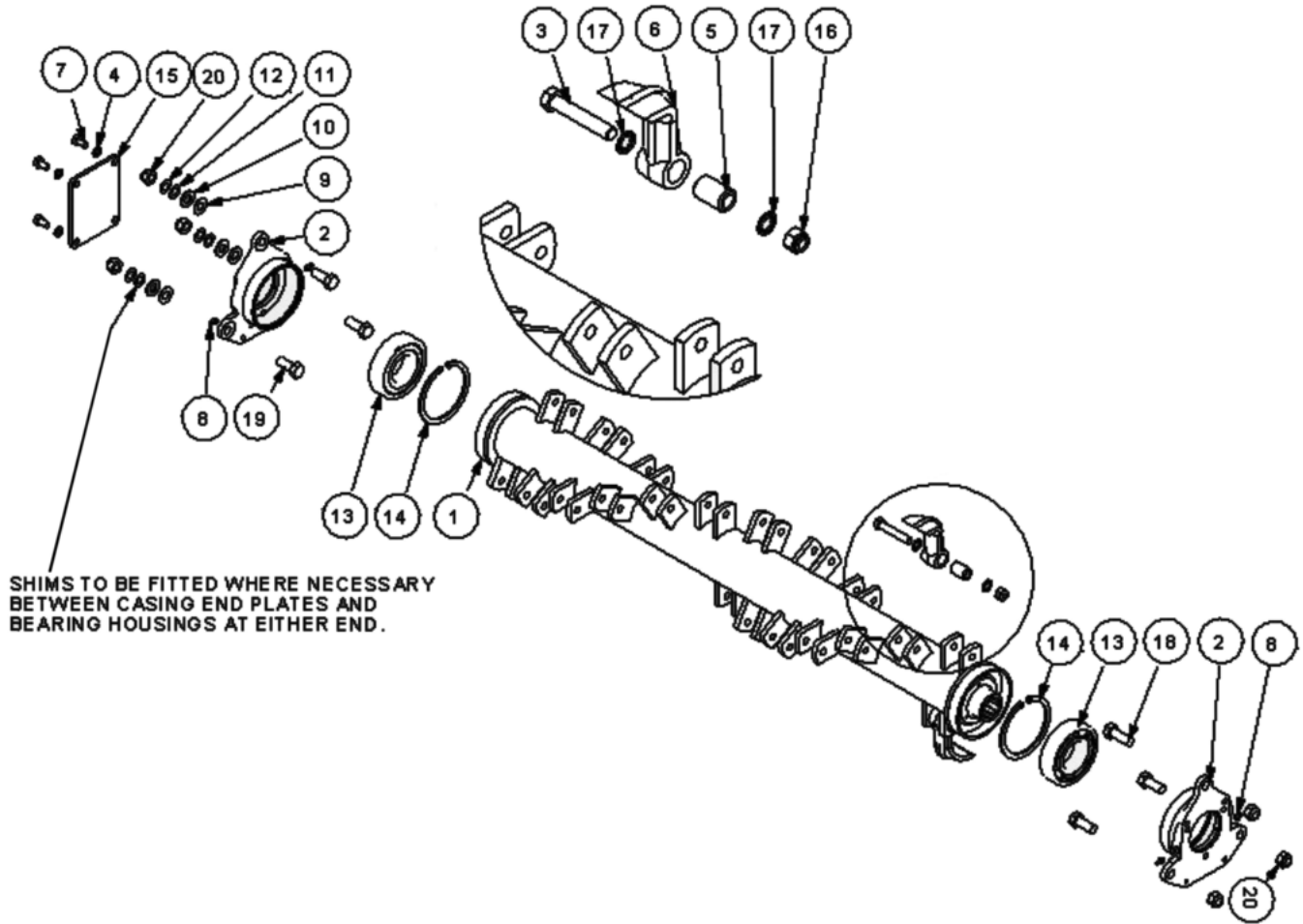
REF. NO.	PART NO.	DESCRIPTION	QTY.
1	7198327	Casing - 1.2m Supercut	1
2	7191352	Front Hood	1
3	7191116	Hood Pivot Pin	1
4	7191361	Flap, Rear	1
5	7198330	Clamp Plate	1
6	7198332	Clamp	2
7	7191362	Clamp Strip-Rear Flap	1
8	9313055	Hexb Metric 10-P1.50- 25mm 5	10
9	00765676	Nut, M10 - 1.5	10
10	0311106	Set Screw Hex Head 5/8 UNF 1-1/4 HT	2
11	00749136	Locknut 5/6-NF Toplock	10
12	0425540	Roll Pin M5 x 40	1
13	0211226	Capscrew 5/8" x 2 3/4" UNF	4
14	0211246	Capscrew 5/8" x 3" UNF	4

100 LPM DRIVE MODULE - SUPERCUT AND MULTICUT



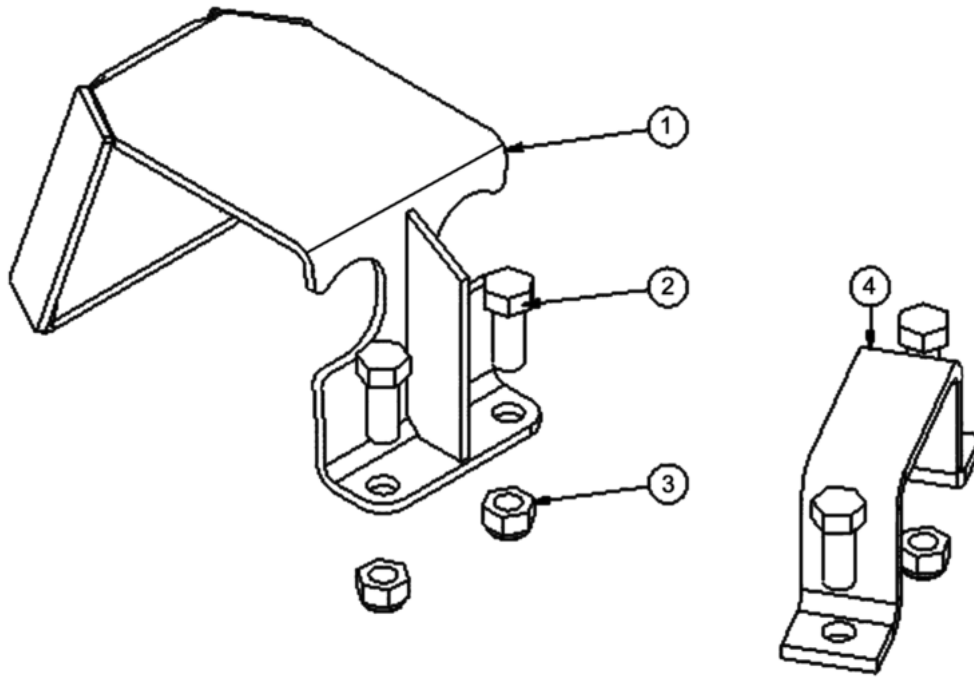
REF. NO.	PART NO.	DESCRIPTION	QTY.
1	8301302	Motor	1
2	7190015	Motor Locating Washer	1
3	7190584	Coupling 27 Spline	1
4	8650106	Seal, 3/4 BSP Bonded	2
5	8581567	Adaptor 3/4 x 1-5/16" JIC mm	2
6	41677.08	Hydraulic Hose 1-5/16" JIC FS/F135 1900 Lg	2
7	05.433.14	Plug 1-5/16" JIC	2
8	9300144	Capscrew, Wedglok	4

ROTOR MODULE - SUPERCUT



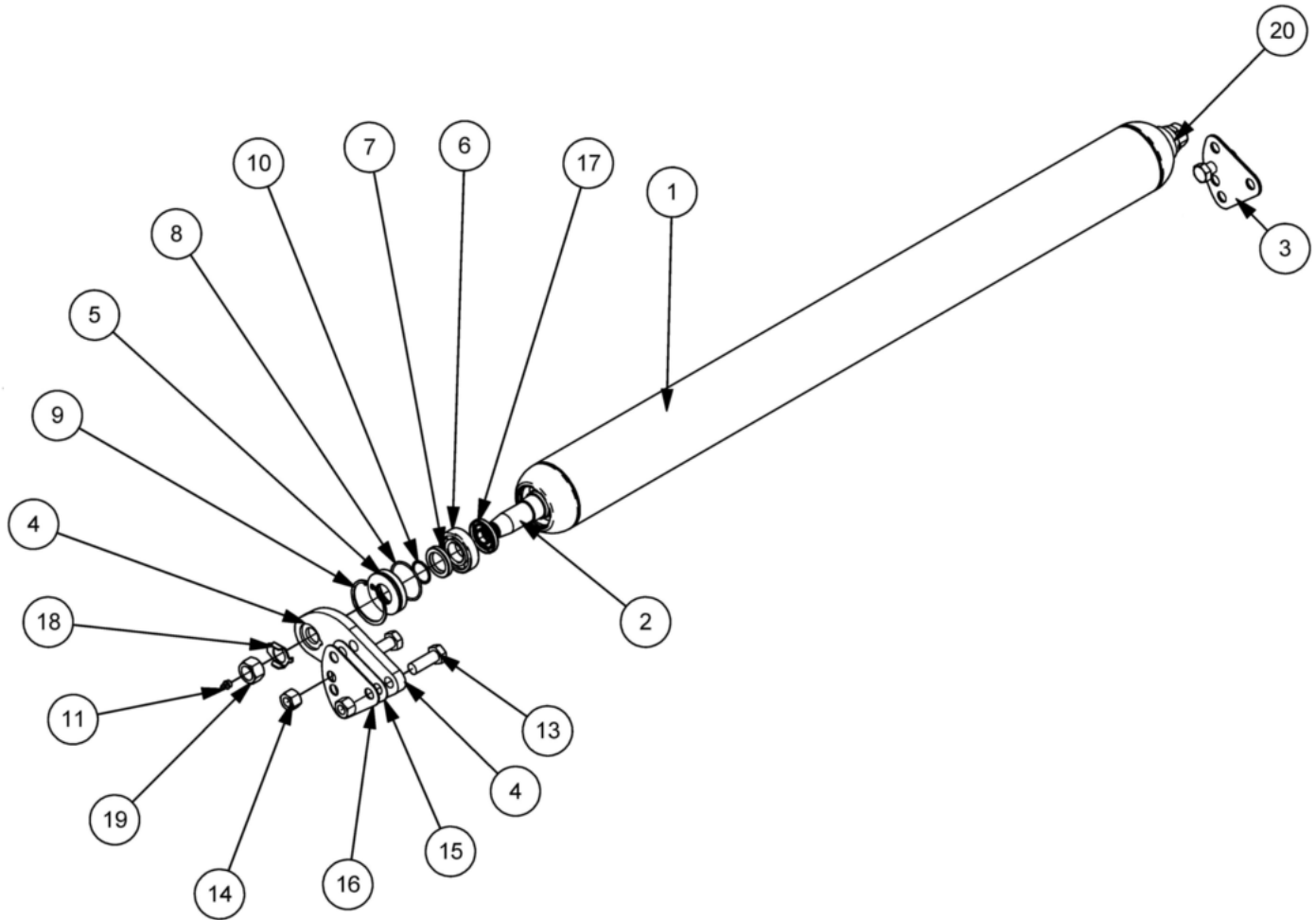
REF. NO.	PART NO.	DESCRIPTION	QTY.
1	7191382	Weldmt, Rotor 1.2m W/A 12 Row	1
2	7190261	Housing Bearing	2
3	7191109	Flail Bolt	24
4	9100205	Washer, Spring- 10mm Dia. BZP	4
5	7191054	Spacer, Cast Flail	24
6	7198390	Single Edge Flail Knife	24
7	9313045	Capscrew M10-P1.5 - 20mm 5	4
8	0901125	Grease Fitting 1/8	4
9	7191098	Shim, 1.5 Thick	3
10	7191099	Shim, 2.5 Thick	3
11	8121043	Spacer, Thin- Ref. 96-033	5
12	8121044	Spacer Thick	5
13	0600018	Bearing 55 x 120 x 29mm 1R.15	2
14	7190022	120 Internal Circlip D1300-12	2
15	7190444	Plate, Cover	1
16	02716500	Locknut, Toplock 1/2" - 20	24
17	0100305	Washer, Serrated Int.1/2 Dia.	48
18	0311146	Hhss 5/8 UNF 1-3/4HT	1
19	0311126	Hhss 5/8 UNF x 1-1/2GRS	5
20	00749136	Locknut, Toplock 5/8" UNF	6

MOTOR COVER 1.2M SUPERCUT



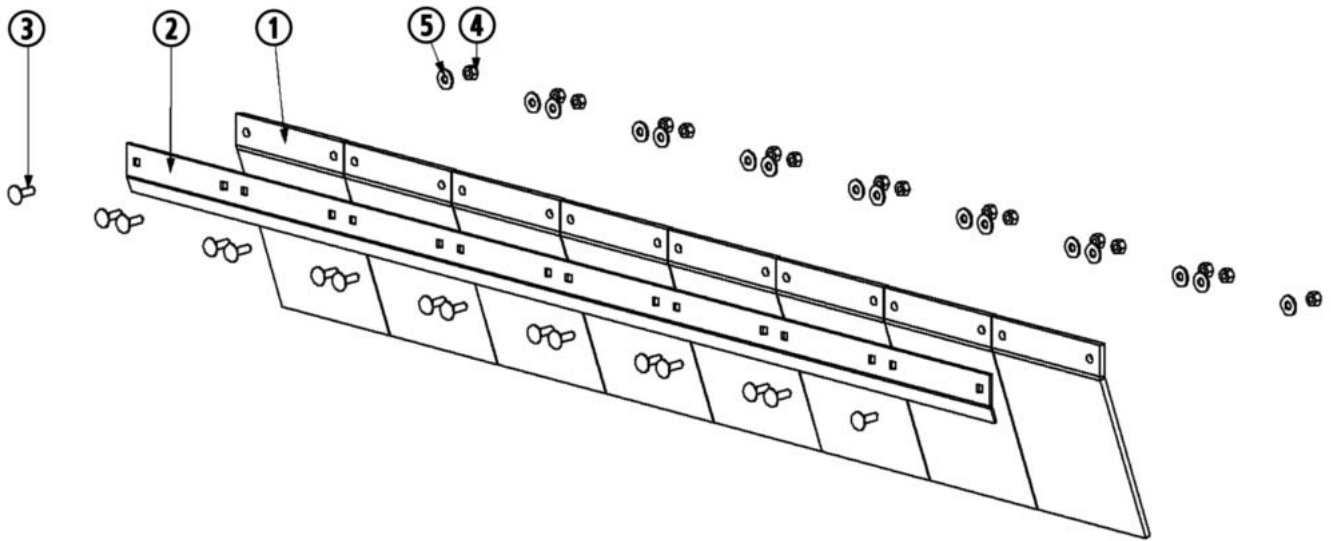
REF. NO.	PART NO.	DESCRIPTION	QTY.
1	7191393	Motor Cover	1
2	0311126	Capscrew 5/8" x 1/2" UNF	4
3	00749136	Locknut, Toplock 5/8" UNF	3
4	41740.01	Hose Retainer	1

ROLLER 1.2 SUPERCUT



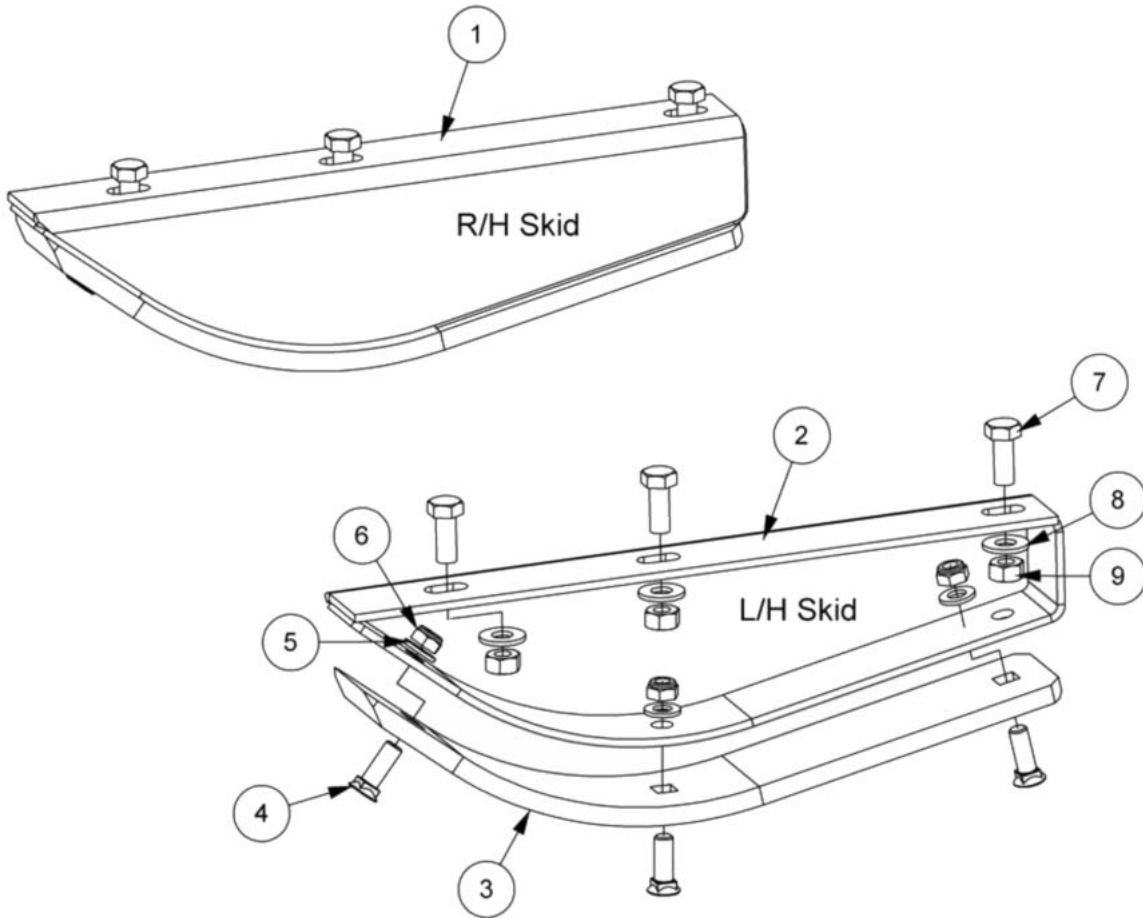
REF. NO.	PART NO.	DESCRIPTION	QTY.
1	22808.02	Roller Tube	1
2	22808.05	Roller Shaft	1
3	22808.03	Roller Bracket LH	1
4	22808.04	Roller Bracket RH	1
5	22808.06	Seal Carrier	2
6	0600111	Deep Groove Ball Brg 30 x 62 x 17	2
7	8629215	Seal	2
8	8600422	O Ring 200-138-4490	2
9	0411262	Internal Circlip 62mm Dia	2
10	0412120	1-1/4 Internal Spirolox Ring	2
11	0901121	Grease Nipple, 1/8 Straight	2
12	9213117	Bolt M16 x 55	2
13	9313097	M16 x 45 Coarse H.T.	2
14	9143007	Top Lock Nut 16mm-P2.0 Zp	4
15	42257.03	Shim - 1.2mm	2
16	42257.04	Shim - 2.0mm	2
17	8629181	Seal, Rotary Shaft Dia 35	2
18	21395.03	Tab Washer-M24 Special	2
19	9100035	Nut M24 LH Plated 30AF	1
20	9100036	Nut M24 RH Plated 30AF	1

FRONT FLAP KIT, SUPERCUT AND MULTICUT



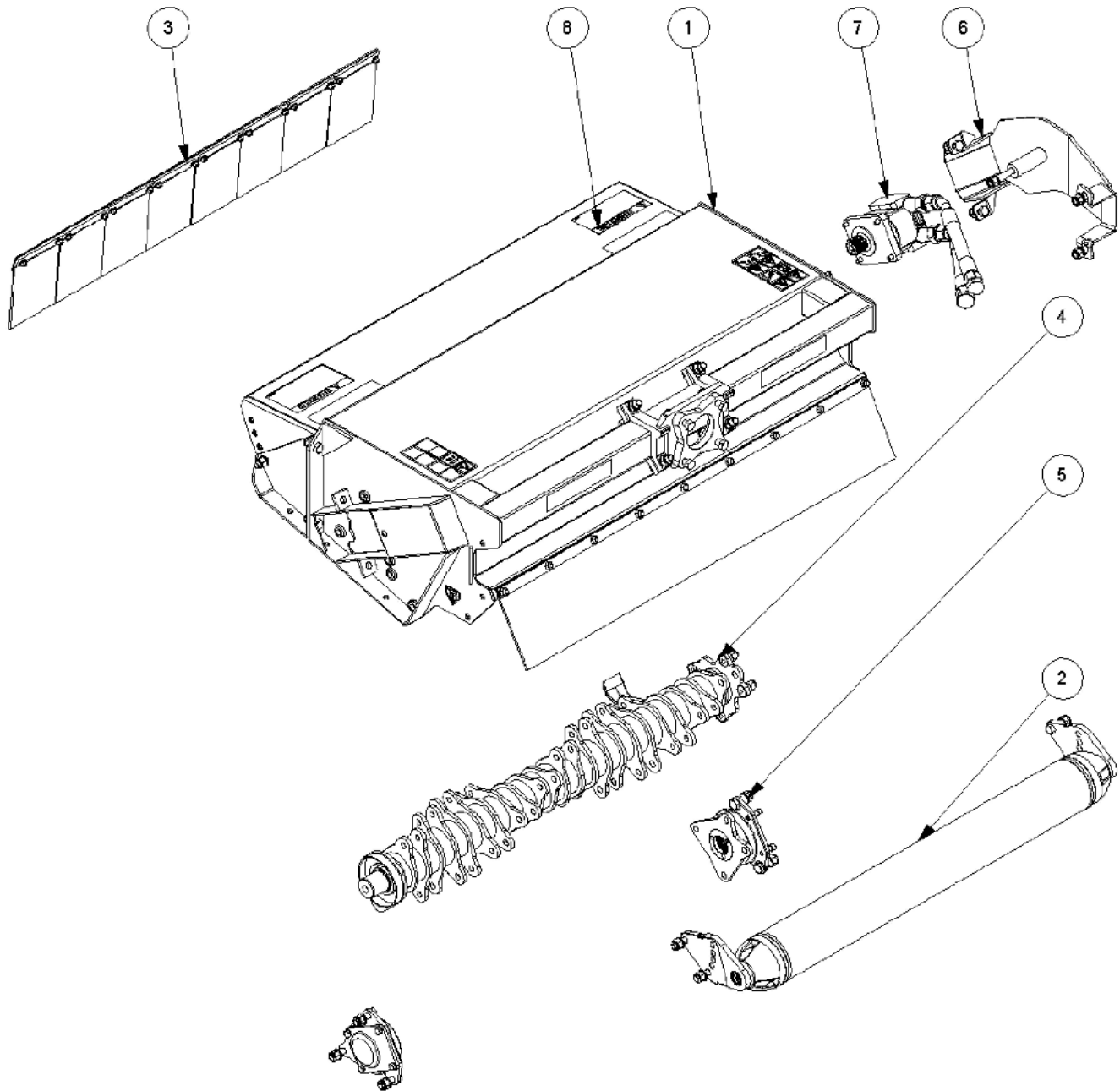
REF. NO.	PART NO.	DESCRIPTION	QTY.
1	7290053	Front Flap	8
2	7190304	Frontflap Strip	1
3	9293054	Carriage Bolt M8 x 25 (Plated)	16
4	70093C	Locknut, Toplock M8 x P1.25	16
5	9100104	Flatwasher M8	16

SKID KIT, SUPERCUT (Optional)



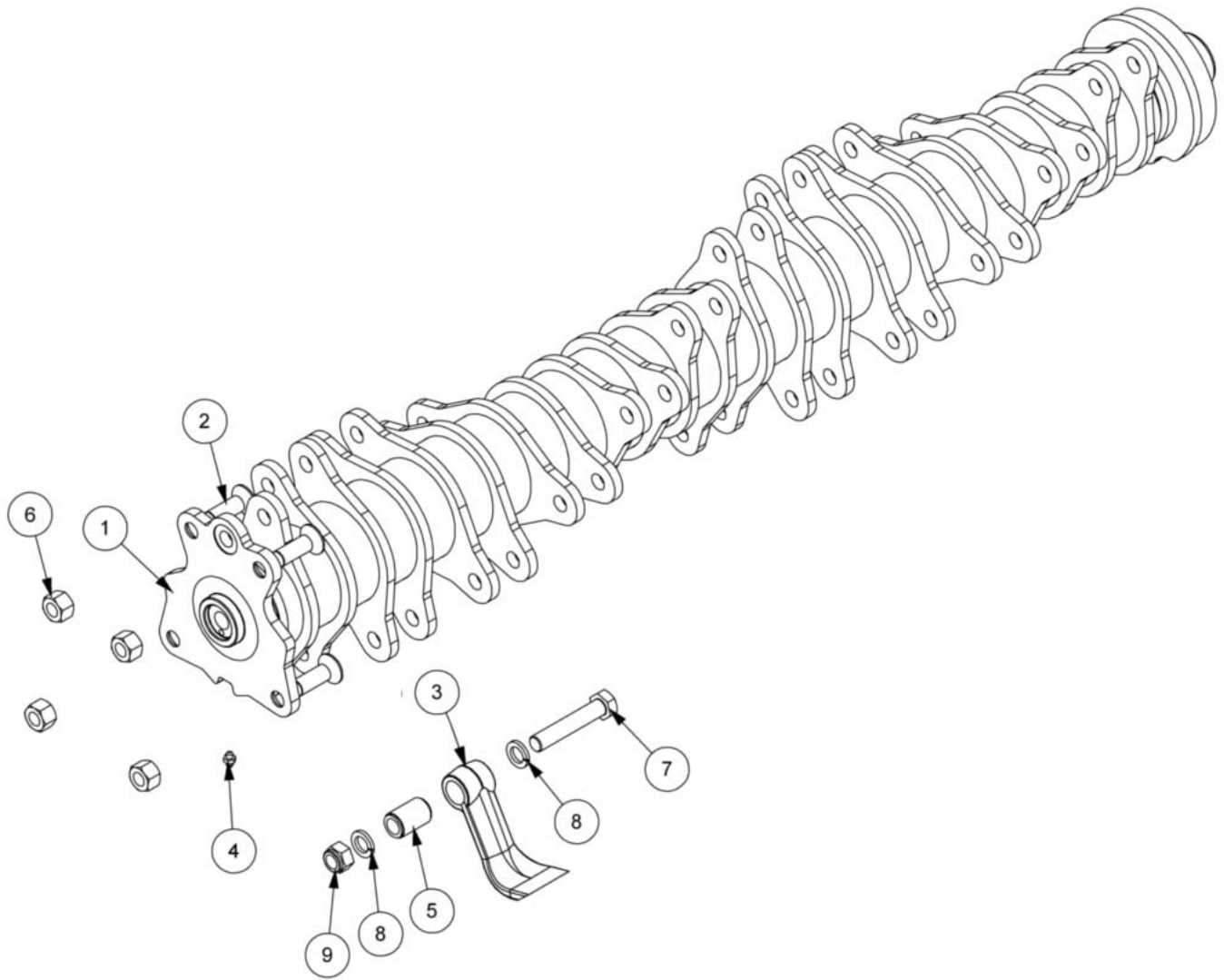
REF. NO.	PART NO.	DESCRIPTION	QTY.
1	7198368	Skid W/Assy-Left Hand	1
2	7198369	Skid W/Assy-Right Hand	1
3	7290391	Wear Strip	2
4	6012034	Bolt, Tine 7/16 UNC x 1-3/8	6
5	0100104	Washer	6
6	0311106	Capscrew 5/8 UNF 1-1/4HT	2
7	0311126	Capscrew 5/8 UNF x 1-1/2GRS	4
8	00749136	Locknut, 5/8 x P1.25	6
9	0141004	Locknut 7/16 UNF Standard	6

FLAILHEAD - MULTICUT



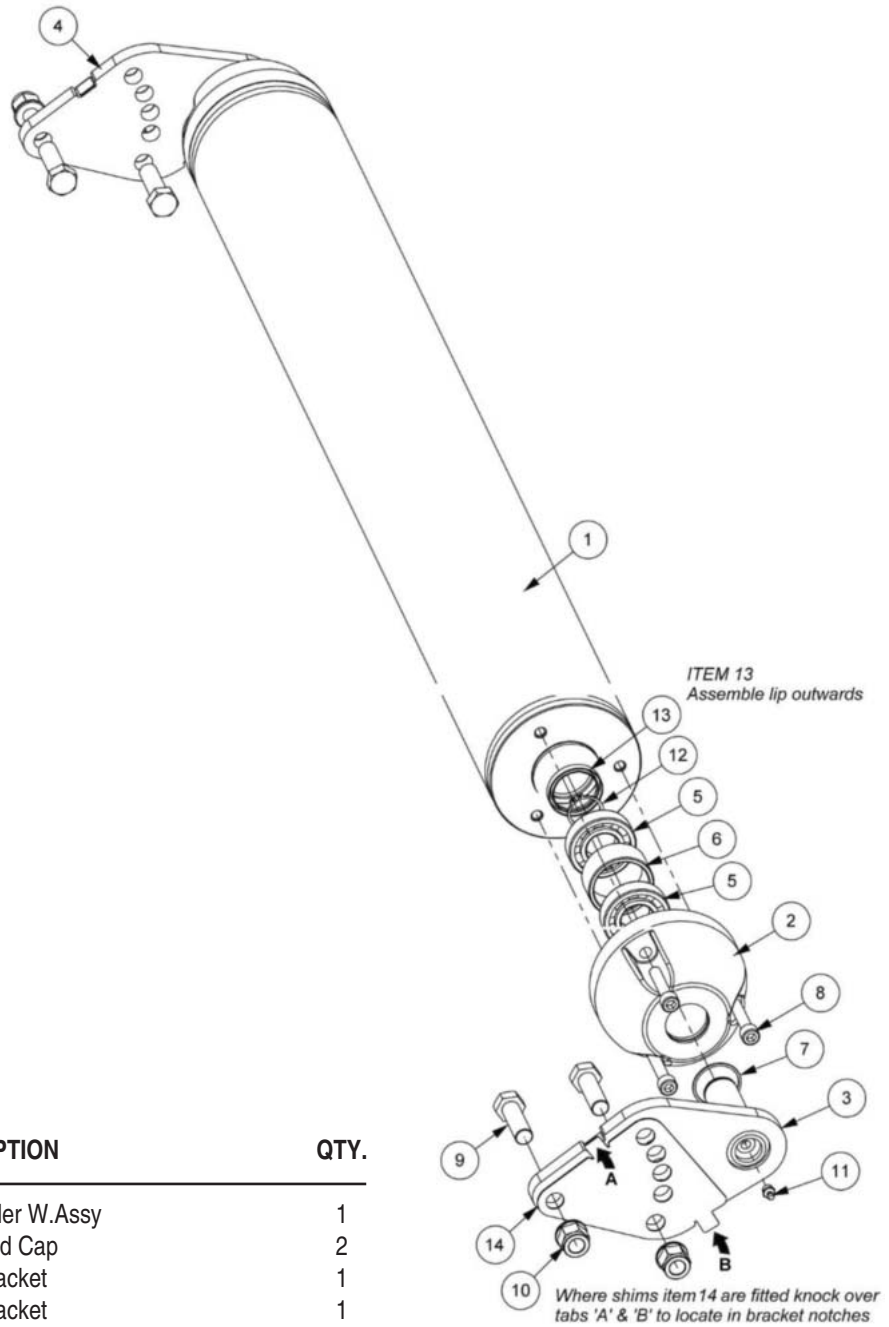
REF. NO.	PART NO.	DESCRIPTION	QTY.
1	-----	1.2M Dd F. Head Casing Module	1
2	-----	1.2 DMS Roller	1
3	-----	Flap Kit, Front	1
4	-----	1.2M Rotor Module F10s. E Cast	1
5	-----	Multicut Quad Drive Module	1
6	-----	RH 52-65HP Motor Cover Module	1
7	-----	100 LPM Drive Module 54HP 1.2M	1
8	-----	Head Decal Kit Multicut	1
9	-----	Shipping Stand, Flail Head	1

ROTOR MODULE - MULTICUT



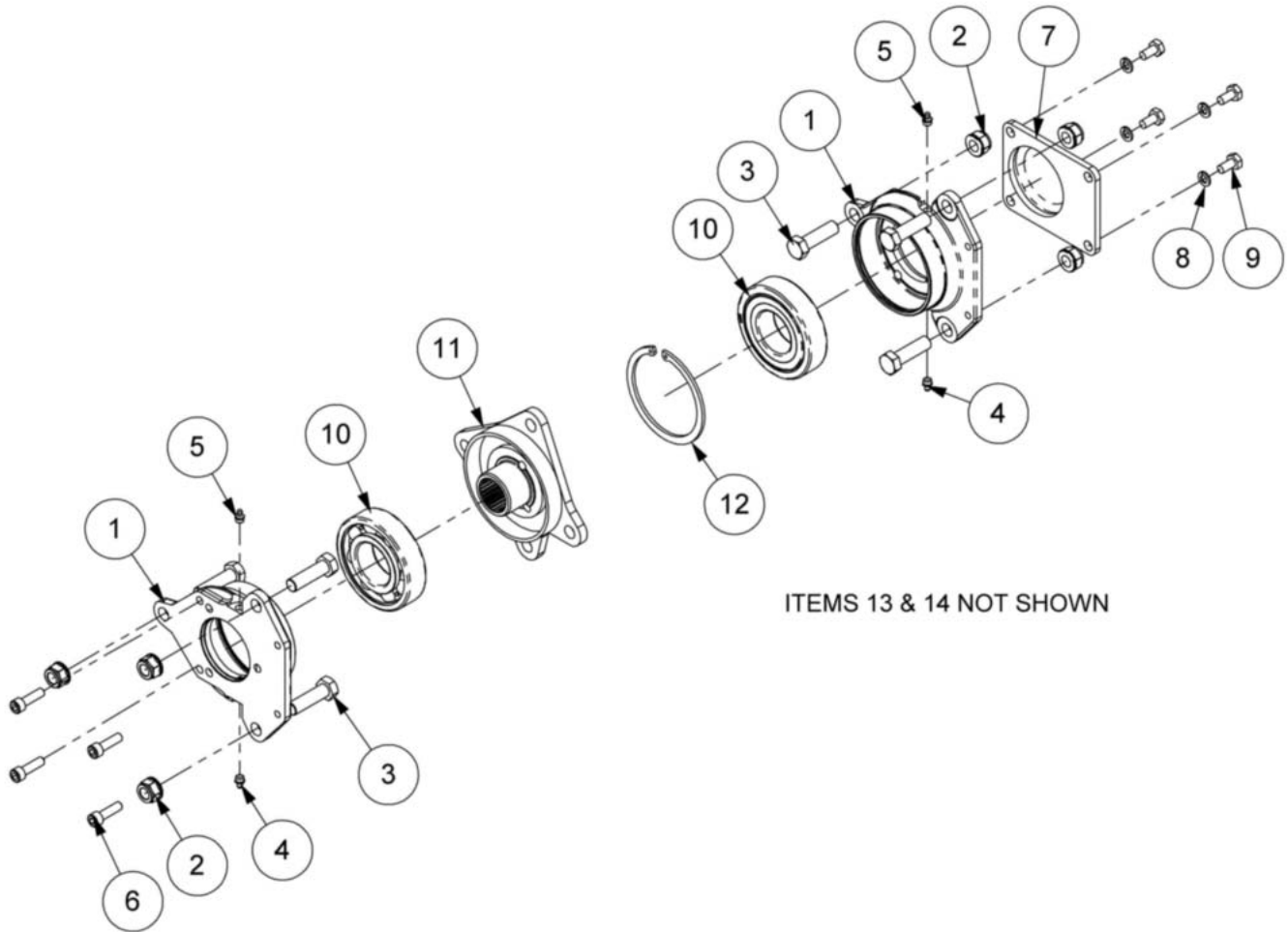
REF. NO.	PART NO.	DESCRIPTION	QTY.
1	-----	Rotor 1.2m Quad Drive	1
2	9353097	M16 x 45 Skt. Csk. Screw BZP	4
3	7390276	Flail, Single Edge	24
4	0901161	Grease Nipple M6 x 1 Straight	1
5	7314223	Bushing, Flail Pivot	24
6	9143007	Top Lock Nut 16mm-P2.0 ZP	4
7	7314201	Capscrew 5/8 NF 3-1/4	24
8	0100206	Lockwasher 5/8 Dia.	48
9	00749136	Locknut, Toplock 5/8"	24

ROLLER ASSEMBLY - MULTICUT



REF. NO.	PART NO.	DESCRIPTION	QTY.
1	21394.03	1.2m Roller W.Assy	1
2	21394.32	Roller End Cap	2
3	21524.12	Roller Bracket	1
4	21524.13	Roller Bracket	1
5	0600111	Deep Groove Ball Brg 30 x 62 x 17	4
6	21523.31	Bearing Spacer	2
7	0402240	1.687" Int. Spirolox Ring	2
8	9343105	M10 x 50 Skt Capscrew BZP	6
9	9200031	M16 x 1.5 Grade 8.8 Bolt 60 Lg	4
10	9100024	Nut	4
11	0901121	Grease Nipple, 1/8 BSP-Straight	2
12	0401230	Circlip, External 30mm Dia.	2
13	8629239	Shaft Seal 40 x 50 x 7.0 Deep	2
14	42257.10	Shim 1.2m Dms Quad Drive	2

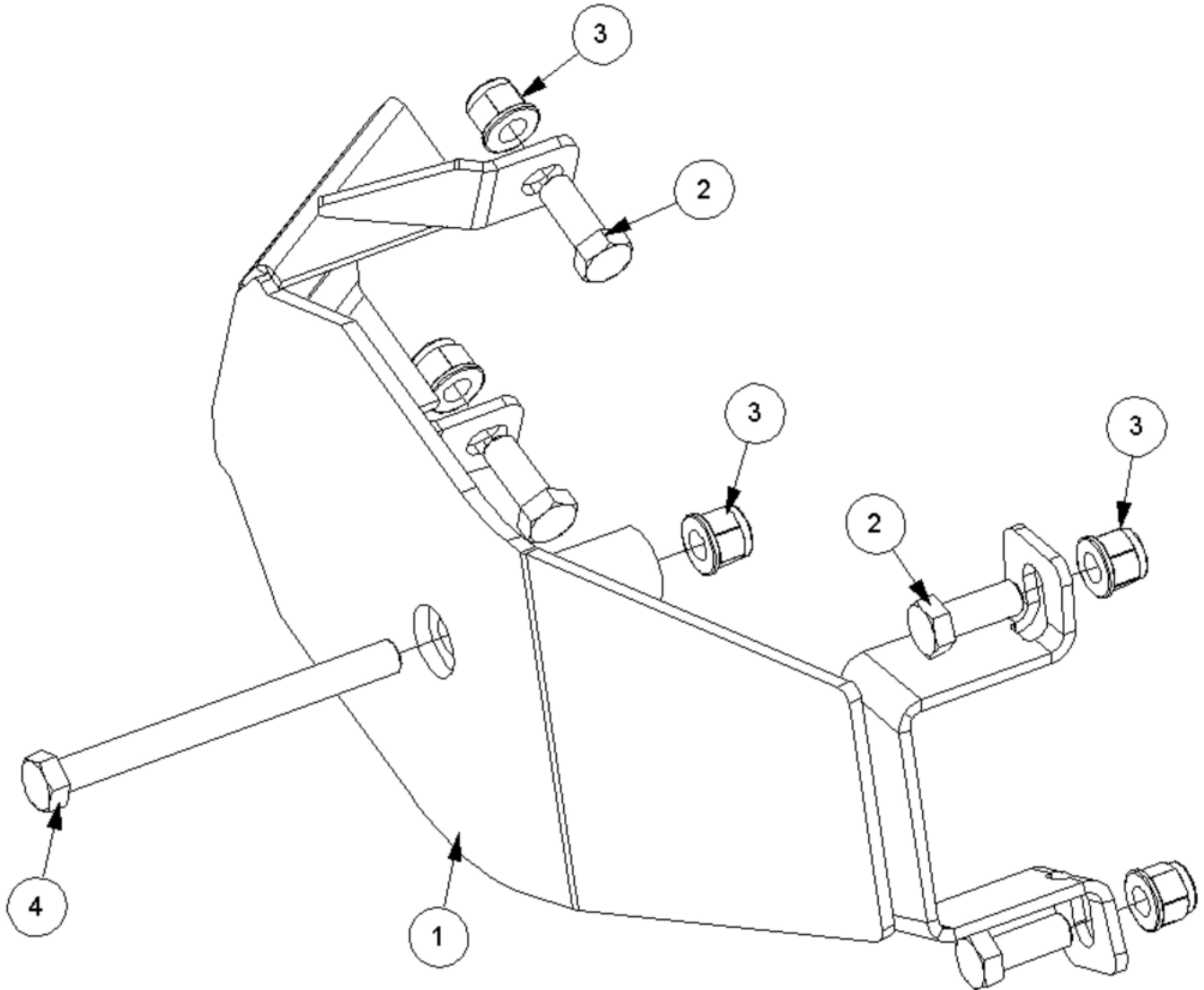
QUAD DRIVE MODULE - MULTICUT



ITEMS 13 & 14 NOT SHOWN

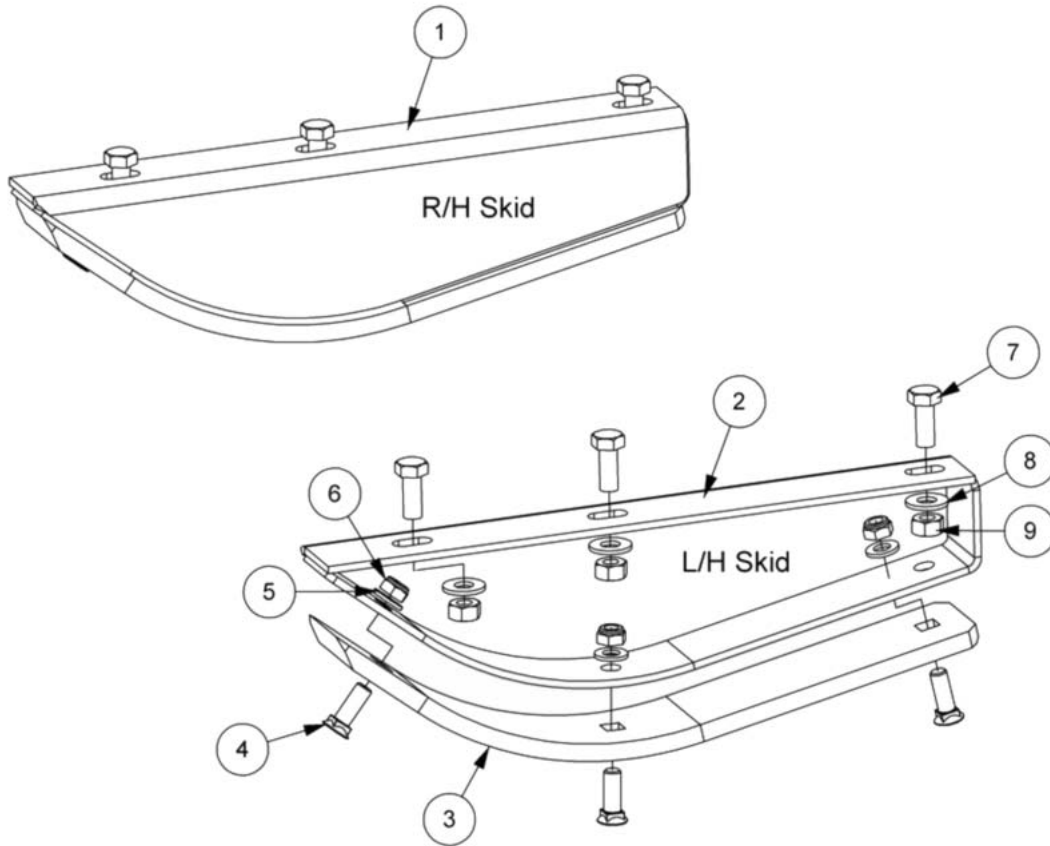
REF. NO.	PART NO.	DESCRIPTION	QTY.
1	7190261	Housing Bearing	2
2	9100024	Nut	6
3	9200031	Capscrew M16 - 1.5 x 60 Grade 8.8	6
4	0901121	Grease Nipple, 1/8 BSP-Straight	2
5	0901125	Grease Fitting 1/8 BSP x 45 Deg	2
6	9300144	Capscrew, Wedglok	4
7	7190292	Plate, Cover	1
8	9100205	Lockwasher 10mm Dia. BZP	4
9	9313045	Capscrew M10-P1.5 x 20mm	4
10	0600018	Bearing 55 x 120 x 29mm 1R.15	2
11	22269.02	Drive Hub Quad Drive	1
12	7190022	120 Internal Circlip D1300-12	1
13	8121043	Spacer, Thin- Ref. 96-033	5
14	8121044	Spacer Thick	5

MOTOR COVER - MULTICUT



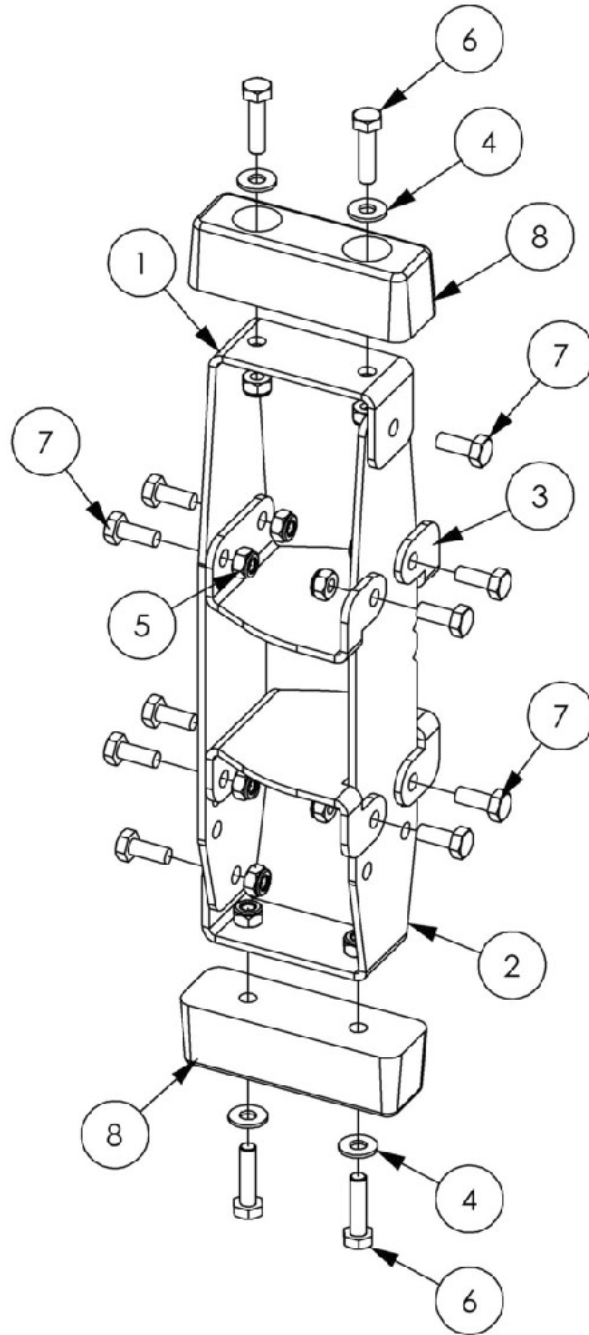
REF. NO.	PART NO.	DESCRIPTION	QTY.
1	42282.04	Motor Cover RH	1
2	30.073.25	Capscrew M16 - 1.5P x 40 Lg	4
3	9100024	Locknut, Flanged M16-1.5P	5
4	9200034	Capscrew M16 - 1.5P x 180 Lg	1

SKID KIT - MULTICUT (Optional)



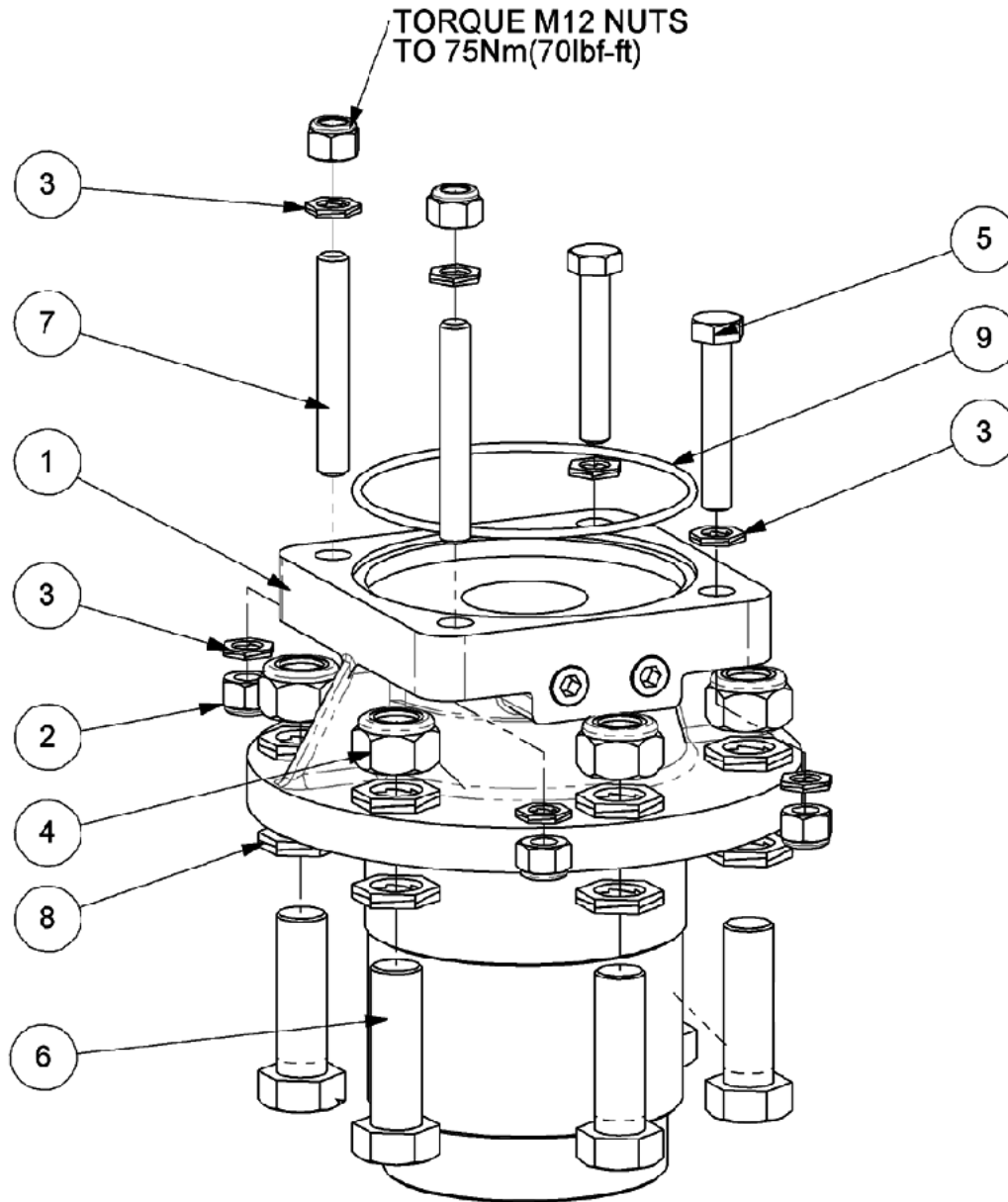
REF. NO.	PART NO.	DESCRIPTION	QTY.
1	7290389	Skid RH	1
2	7290390	Skid LH	1
3	7290391	Wear Strip	2
4	6012034	Bolt, Tine 7/16 UNC x 1-3/8	6
5	0100104	Washer	6
6	0141004	7/16 UNF Standard	6
7	9313066	Hex Bolt Metric 12-P1.75- 30mm PL5	6
8	9100106	Washer, 12m Form A. BZP	6
9	9143006	Nut Metric 12mm-P1.75 PL	6

STOP MODULE ASSY. - ROTARY HEAD



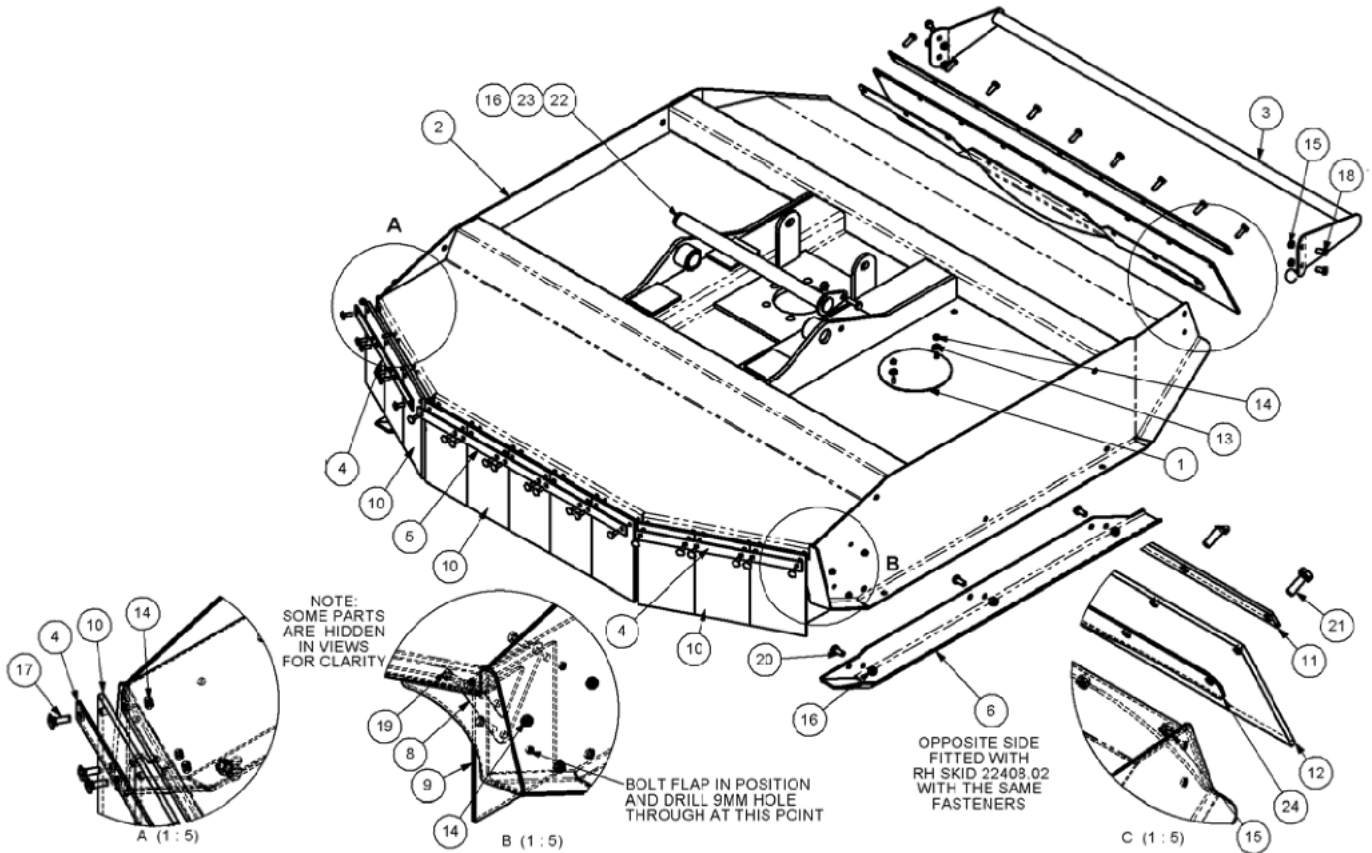
Ref. No.	Part No.	Description	Qty. Req'd.
	1039720	Stop Module Assembly	1
1	22425.01	Stop Pressing	1
2	22425.02	Stop Pressing	1
3	22426.01	Stop Mtg Pressing	2
4	9100105	Washer	4
5	9163005	Nut	14
6	9213085	Bolt	4
7	9313055	Screw	10
8	T7879	Buffer	2

BEARING UNIT MODULE - ROTARY HEAD



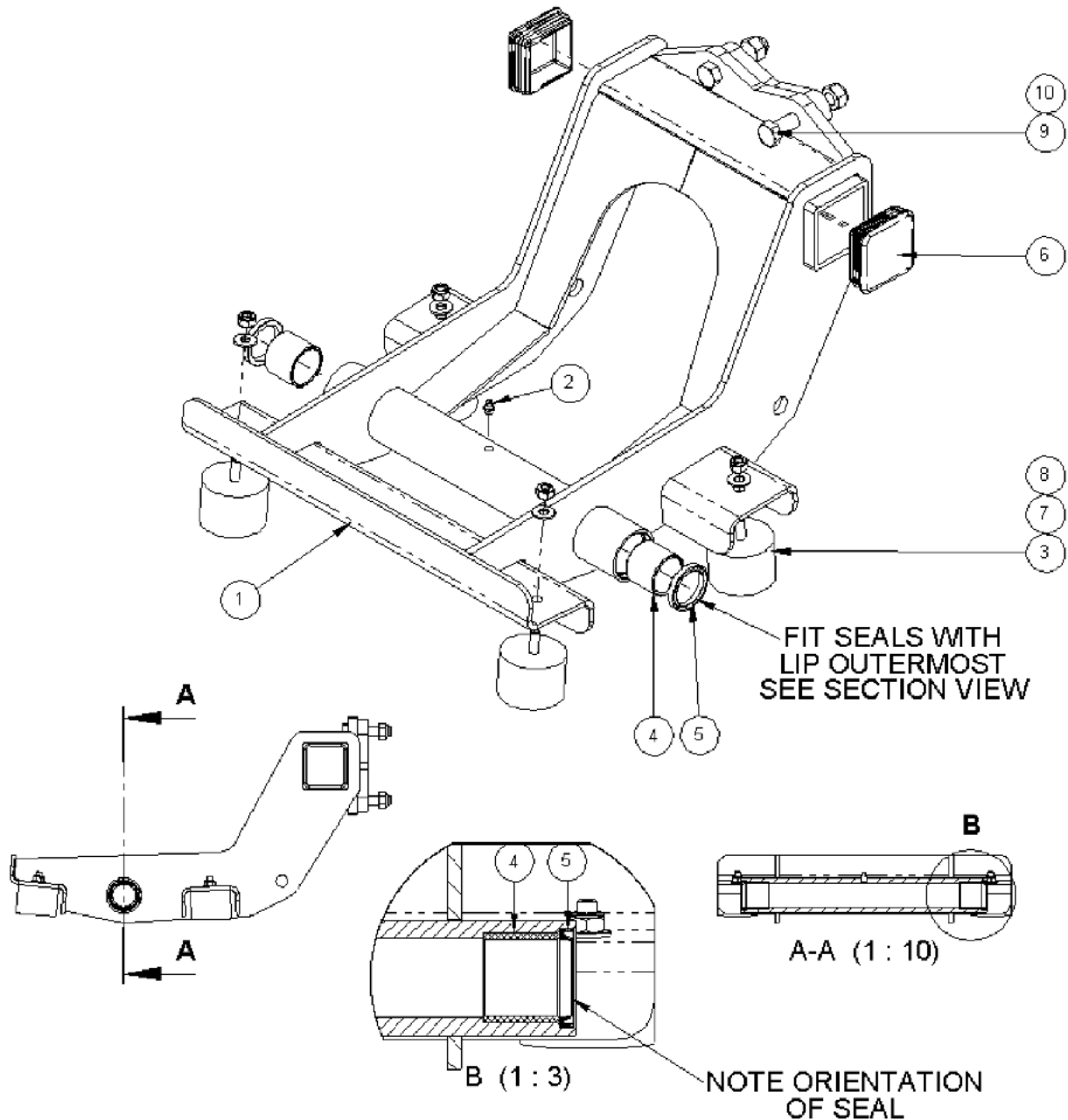
Ref. No.	Part No.	Description	Qty. Req'd.
	1039729	Bearing Unit Assembly	1
1	02960553BL	Spindle Assy	1
2	T8095	Nut	6
3	9100506	Washer	8
4	9100033	Nut	6
5	T2703	Bolt	2
6	9200071	Bolt	6
7	23016.01	Stud	2
8	9100508	Washer	12
9	8600329	"O" Ring	1

CASING MODULE - ROTARY HEAD



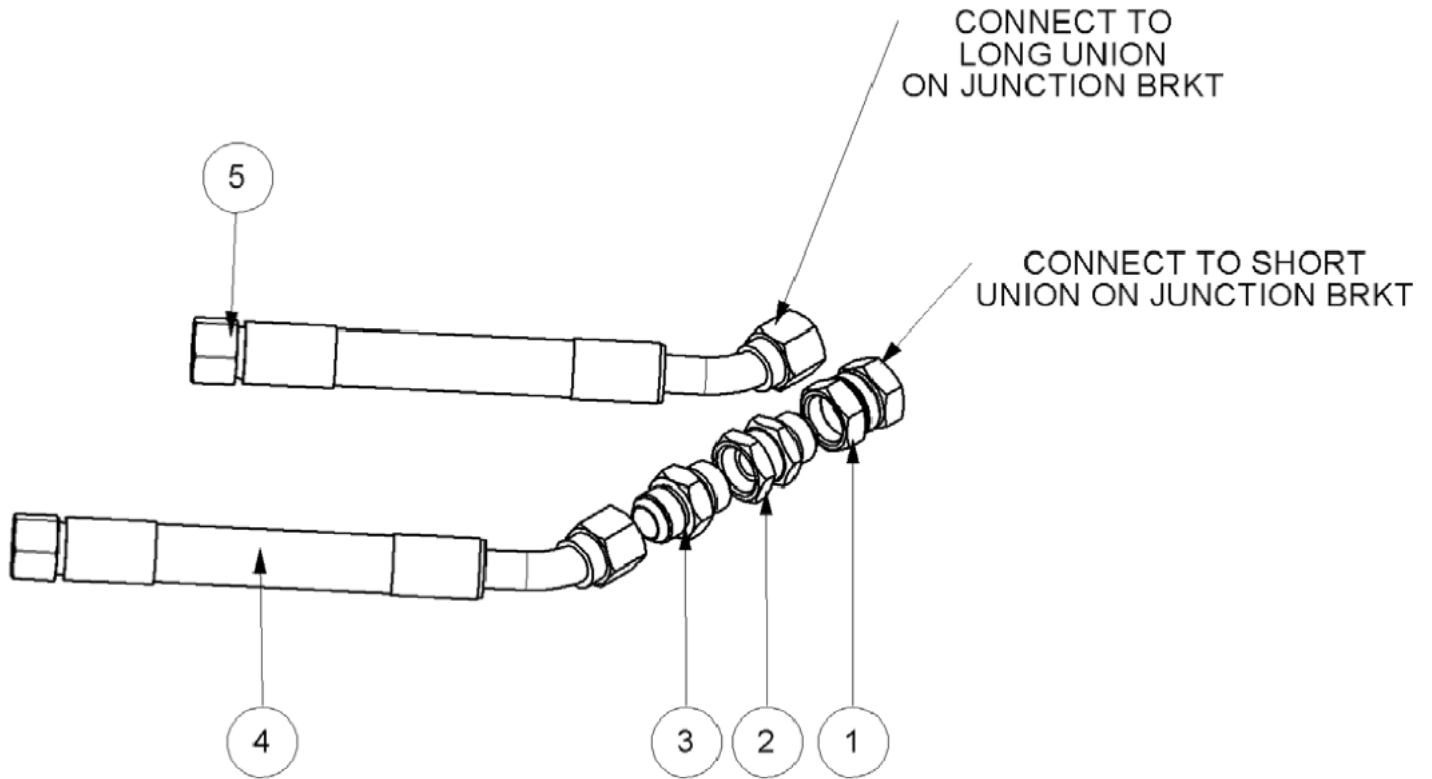
Ref. No.	Part No.	Description	Qty. Req'd.
	1039735	Casing Module Assembly	1
1	21833.01	Cover	1
2	22405.03	Casing w/Assy	1
3	22406.01	Guard Bar W.A.	1
4	22407.01	Clamp Strip	2
5	22407.02	Clamp Strip	1
6	22408.01	Skid -LH	1
7	22408.02	Skid -RH	1
8	22409.01	Clamp Plate	2
9	41296.02	Flap	2
10	7190035	Flap	11
11	7290347	Clamp Strip	1
12	7290348	Flap	1
13	9100104	Washer	2
14	9163004	Nut	30
15	9163005	Nut	13
16	9163006	Nut	7
17	9293054	Bolt	22
18	9313045	Screw	4
19	9313054	Screw	6
20	9313056	Screw	6
21	9313065	Screw	9
22	2242.01	Pin	1
23	9313076	Screw	1
24	23390.01	Pressing	1

BRACKET MODULE - ROTARY HEAD



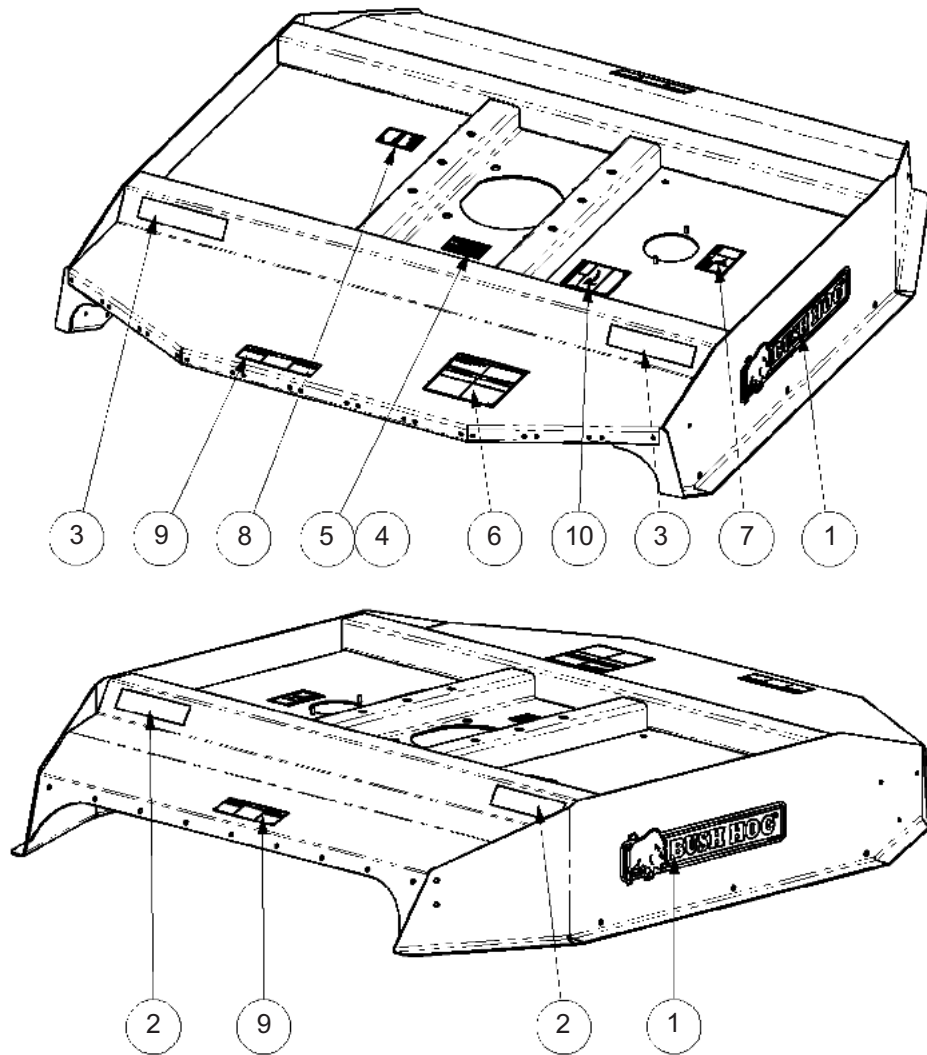
Ref. No.	Part No.	Description	Qty. Req'd.
	1039736	Bracket Module Assembly	1
1	22386.08	Pivoting w/Assy	1
2	0901121	Greaser	1
3	1337114	Buffer	4
4	21385.01	Bush	2
5	8629219	Seal	2
6	41580.01	Plug	2
7	9100105	Washer	4
8	9163005	Nut	4
9	12.714.75	Bolt	4
10	T7942	Nut	4

HYDRAULICS MODULE - ROTARY HEAD



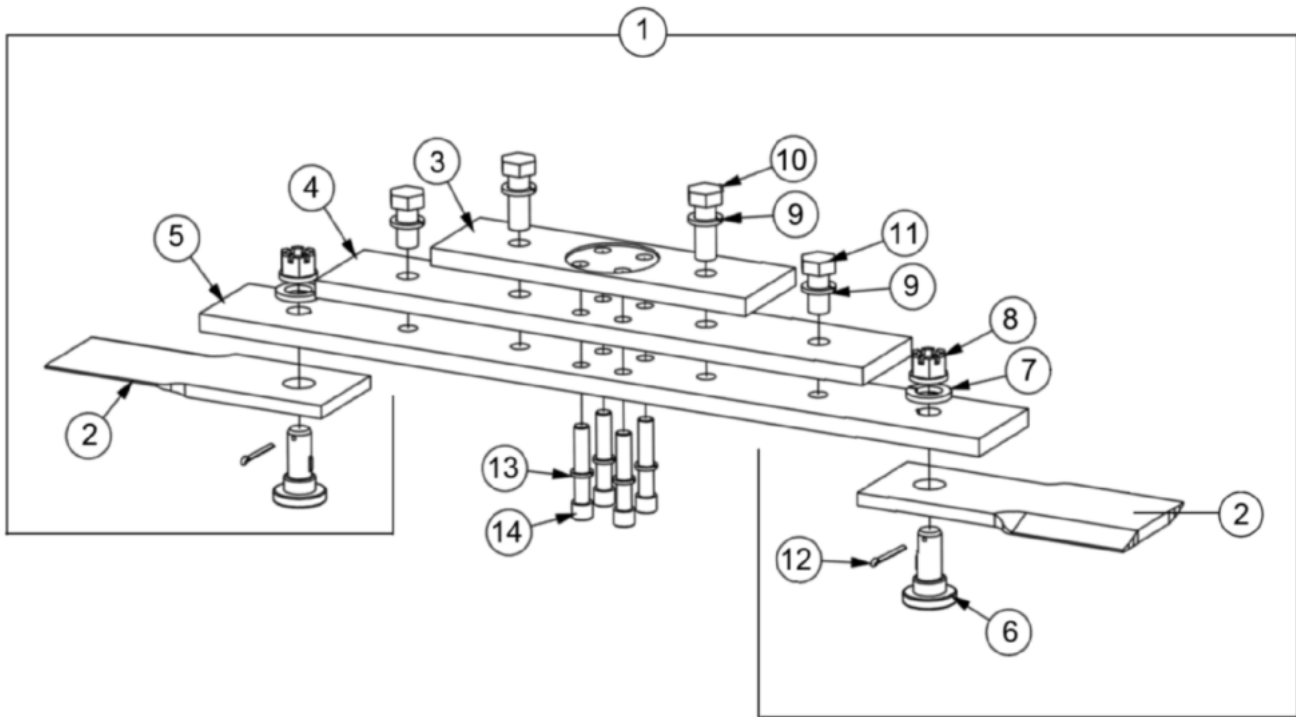
Ref. No.	Part No.	Description	Qty. Req'd.
	1039740	Hydraulic Module Assembly	1
1	8581595	Adaptor	1
2	8581233	Adaptor	1
3	8581256	Adaptor	1
4	41677.13	Hose	1
5	41677.14	Hose	1

DECAL KIT - ROTARY HEAD



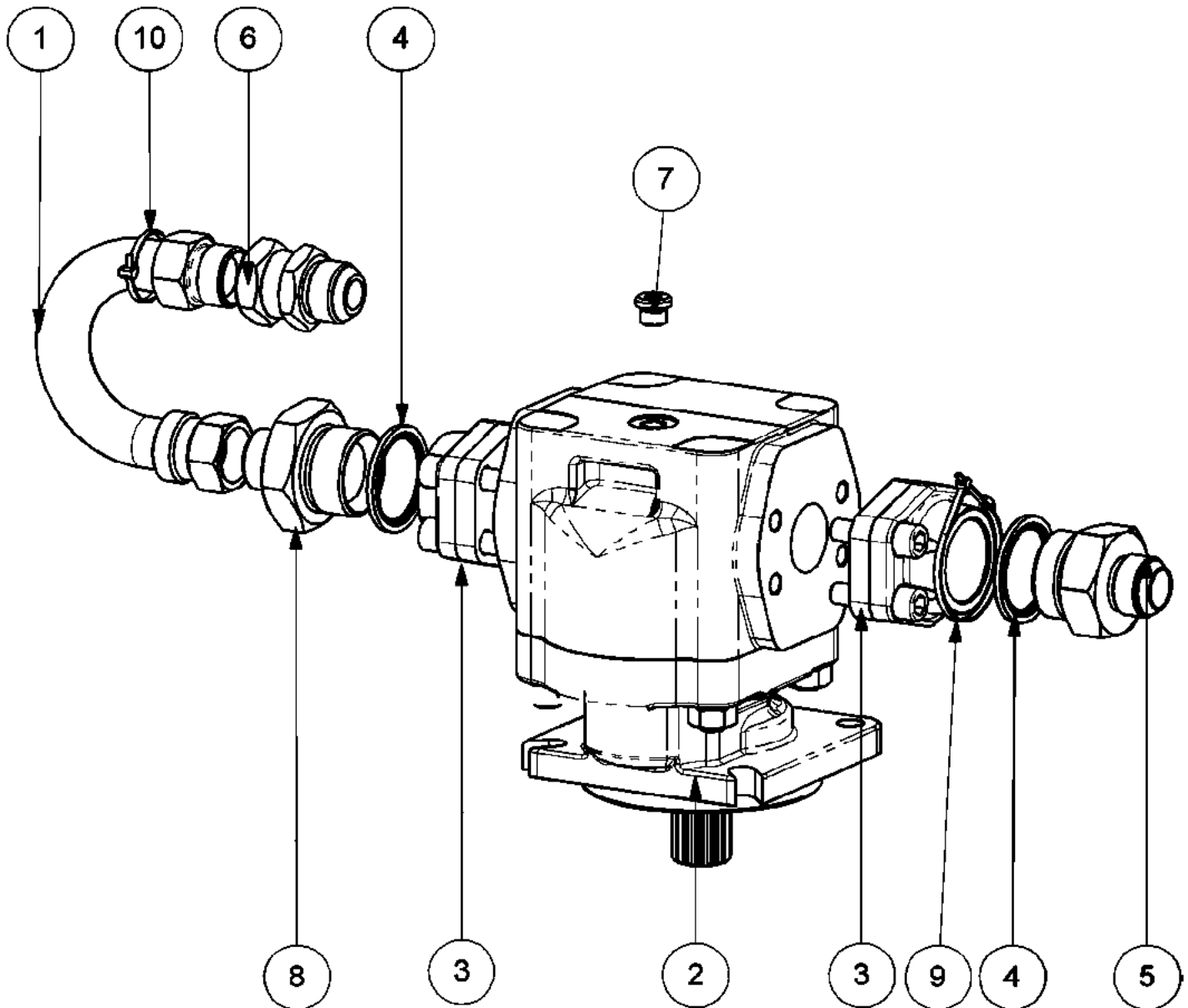
Ref. No.	Part No.	Description	Qty. Req'd.
	1039757	Decal Kit	1
1	50061049	Decal Bush Hog Logo	2
2	1458392	Decal Red Reflector	2
3	1458393	Decal Amber Reflector	2
4	7103230	Rivet	4
5	-----	Serial No Plate	1
6	D559	Decal	1
7	D620	Decal	1
8	D621	Decal	1
9	D626	Decal	2
10	D619	Decal	1

BLADE BAR ASSEMBLY - ROTARY HEAD



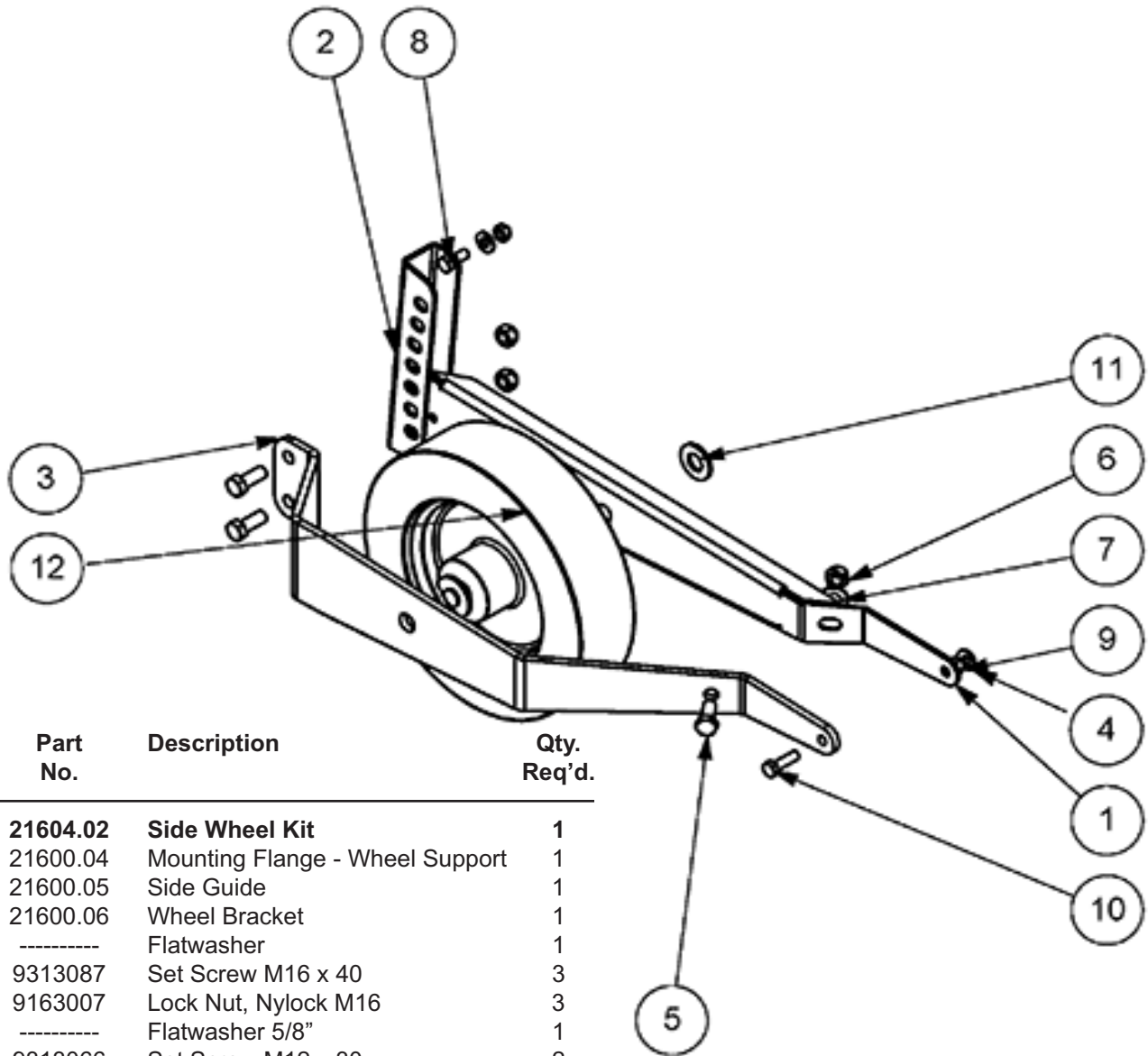
Ref. No.	Part No.	Description	Qty. Req'd.
	1039770	Blade Bar Assy. Complete	1
1	02782300	Blade Bar Assy.	1
2	02761500	Blade Set	1
3	02781600	Top Blade Bar Leaf	1
4	02781700	Middle Blade Bar Leaf	1
5	02781800	Bottom Blade Bar Leaf	1
6	02782900	Blade Bolt	2
7	02957089	Lockwasher	2
8	00020900	Nut	2
9	-----	Lockwasher 1"	4
10	-----	Bolt 1" x 2-3/4" Gr.8	2
11	-----	Bolt 1" x 2" Gr.8	2
12	00023200	Roll Pin	2
13	B001020	Washer, Nordlock NL20	4
14	02782000	Capscrew 3/4" x 3-3/4"	4

MOTOR MODULE - ROTARY HEAD



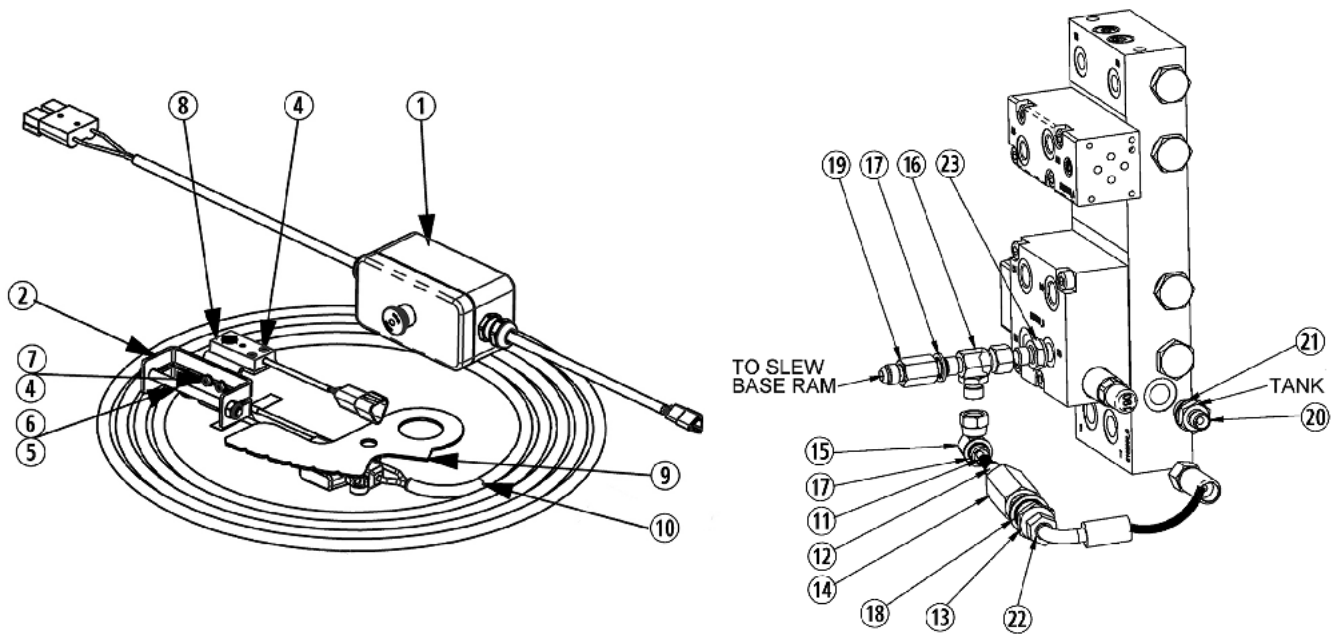
Ref. No.	Part No.	Description	Qty. Req'd.
	-----	Motor Module (1039771S)	1
1	46043.01	Pipe	1
2	8301334	Motor 80CC SAE C4 Bolt 14T	1
3	8581635	Flange SAE 1-1/2" 35.7 x 69.9	2
4	8650224	Seal,Bonded 1.5 BSP	2
5	08.955.35	Adaptor 1-1/2" BSPM x 1-5/16"JICM	1
6	8581233	Adaptor,Swivel 1"BSPF x 1-5/16JICF	1
7	8581583	1/4" Sckt. Hd Plug	1
8	8581291	Adaptor, 1" x 1-1/2" BSP	1
9	-----	Plastic Tie Red	1
10	22941.02	Blue Cable Tie 150mm	1

SIDE WHEEL KIT - ROTARY HEAD



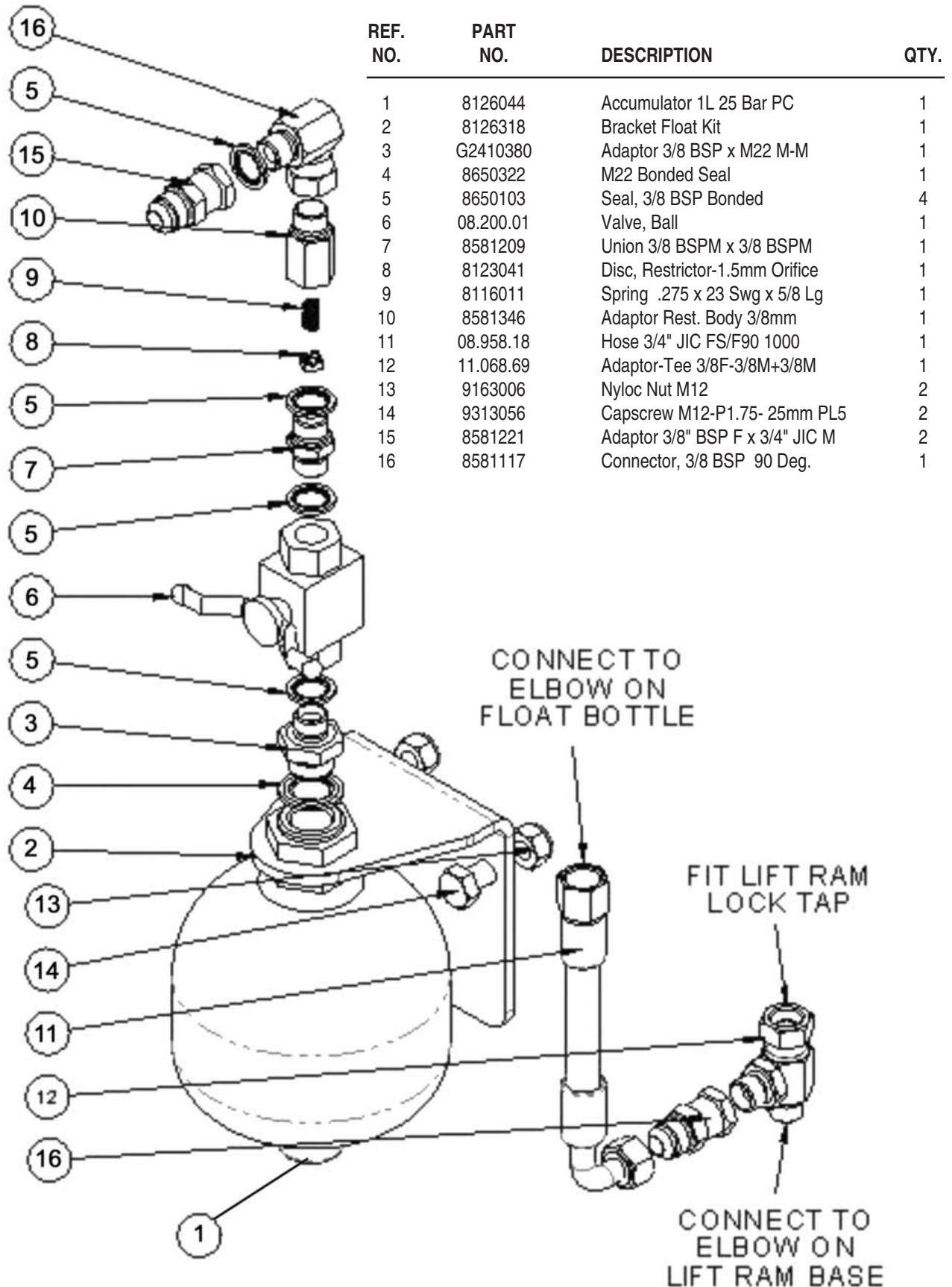
Ref. No.	Part No.	Description	Qty. Req'd.
	21604.02	Side Wheel Kit	1
1	21600.04	Mounting Flange - Wheel Support	1
2	21600.05	Side Guide	1
3	21600.06	Wheel Bracket	1
4	-----	Flatwasher	1
5	9313087	Set Screw M16 x 40	3
6	9163007	Lock Nut, Nylock M16	3
7	-----	Flatwasher 5/8"	1
8	9313066	Set Screw M12 x 30	2
9	9163006	Lock Nut, Nylock M12	3
10	9313086	Set Screw M12 x 40	1
11	9100109	Flatwasher M24	1
12	1047262	Wheel / Hub Assy.	1
		Parts for Wheel / Hub listed Below	
	1020532	Segmented Tire & Wheel	1
	1020533	Hub Assy.	1
	1020540	Hub Casting	1
	1020541	Tapered Bearing	2
	1020542	Lug Bolt	4
	9313056	Hex Hd. Bolt M12 x 25	4
	1020543	Step Bushing	2
	-----	Dust Cap	2
	1020545	Oil Seal	2
	1020549	Spindle Bolt	1
	1020547	Spindle Nut	1
	43297.82	Cotter Pin	1
	1020548	Grease Nipple	1
	-----	Flatwasher	1

BUZZER CONTROL KIT - ROTARY HEAD

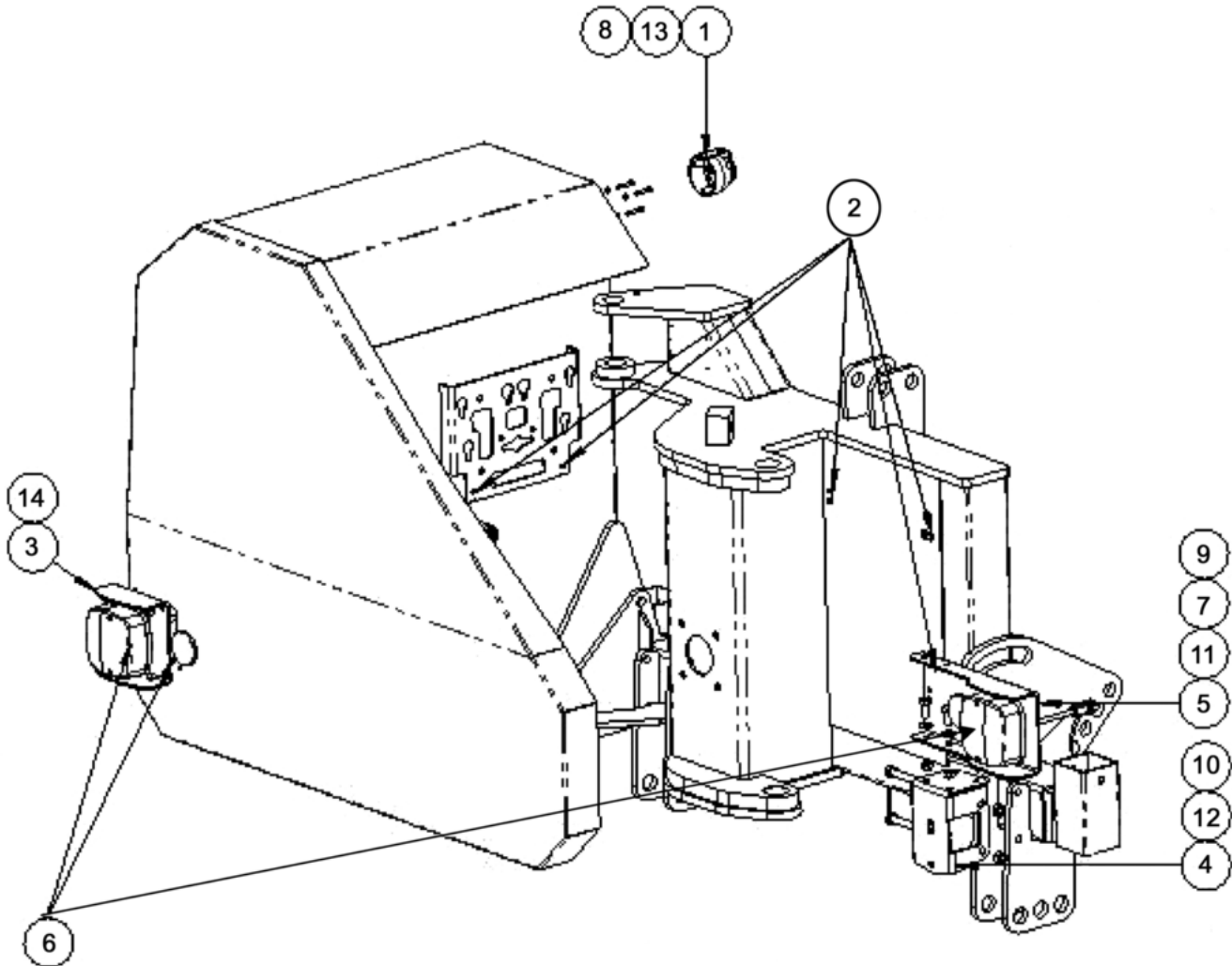


Ref. No.	Part No.	Description	Qty. Req'd.
	8402928	Buzzer Control Kit	1
1	8402443	Buzzer Box	1
2	45425.14	Clamp, Pressing	1
3	45425.15	Sensor, Pressing	1
4	9343021	Capscrew M4 x 12	4
5	9213204	Bolt M8 x 100	1
6	9163004	Locknut, Nyloc M8	1
7	9100101	Flatwasher M4	2
8	8402445	Proximity Switch Connector	1
9	45425.13	Sensor Plate	1
10	8402237	Loom, Power Supply	1
11	8116011	Spring, .275" OD x 58" Long	1
12	8130029	Relief Valve	1
13	8130083	Body, Adaptor Relief	1
14	8130156	Housing, Relief Valve	1
15	8581190	Elbow 90° x 1/4" BSP	1
16	8581254	TEE, Adaptor 1/4" BSP	1
17	8650102	Seal, Bonded 1/4" BSP	3
18	8650104	Seal, Bonded 1/2" BSP	1
19	8581341	Adaptor 1/4" BSP F x 9/16" JIC M	1
20	8581115	Adaptor 3/8" x 1/4" BSP M	1
21	8650103	Seal, Bonded 3/8" BSP	1
22	10.002.08	1/4" BSP FS / F90 400	1
23	05.129.01	Adaptor 1/4" BSP MM	1

LIFT FLOAT KIT (Optional)

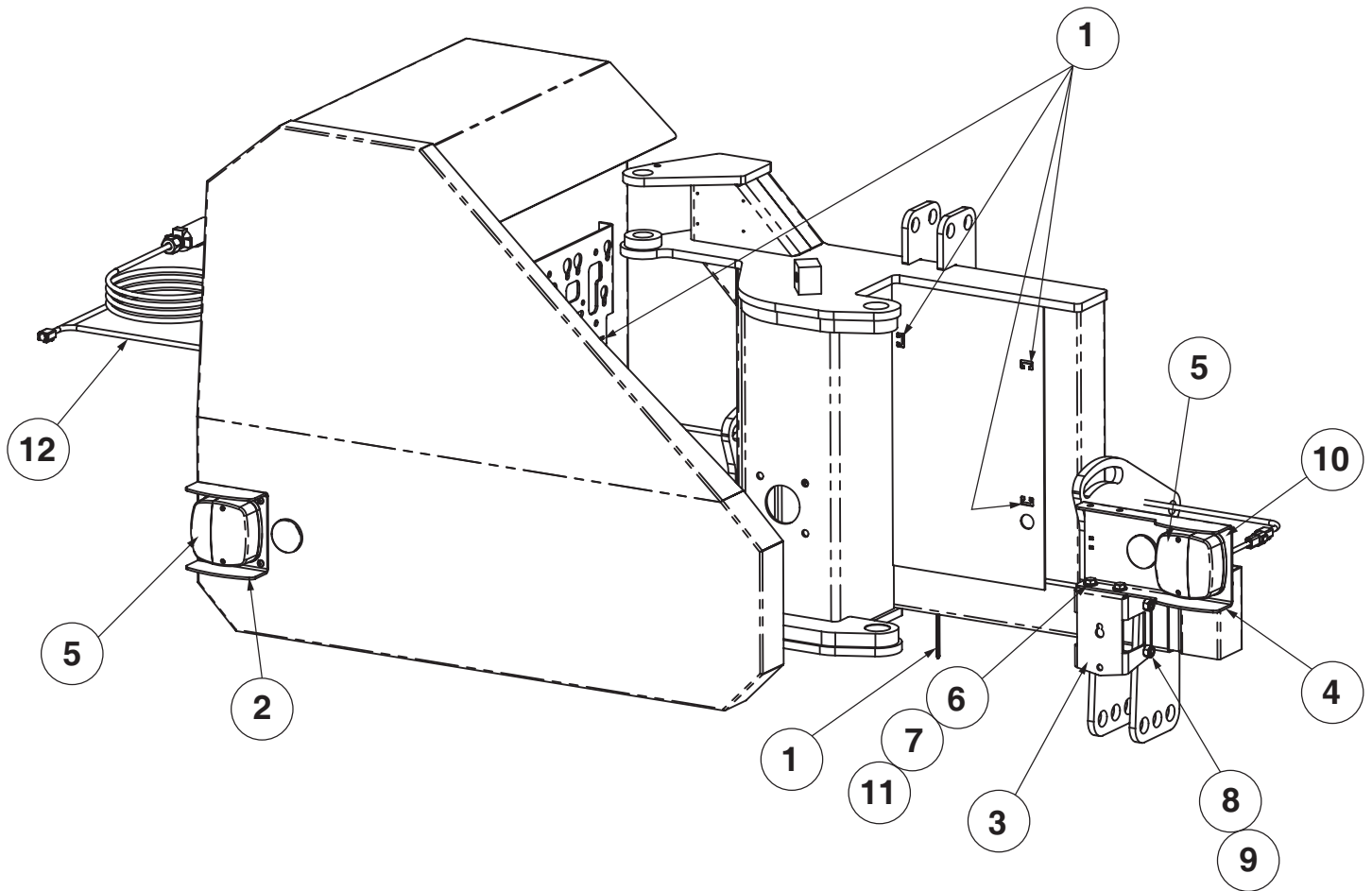


LIGHT KIT (Optional for RMB1660 Only)



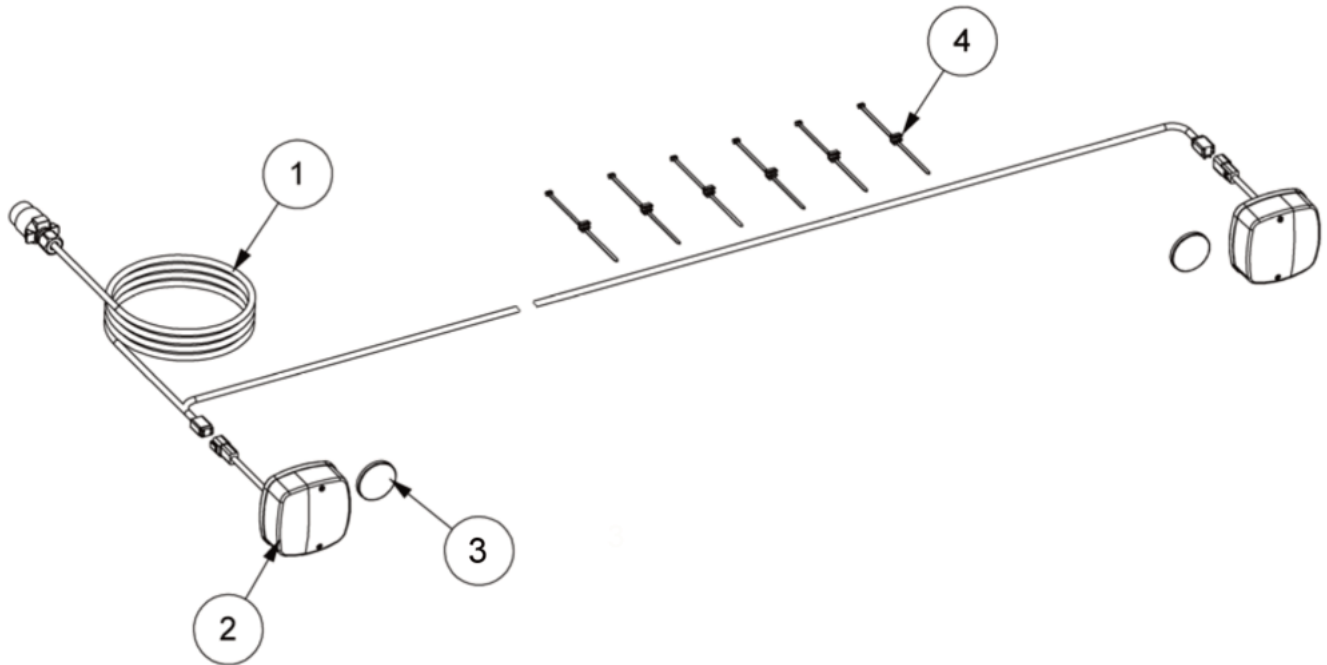
REF. NO.	PART NO.	DESCRIPTION	QTY.
1	21678.07	7 Pin Socket Plastic 12V	1
2	22342.01	Cable Tie-4.8 Wide x 120 Lg	12
3	22484.02	Light Guard & Mtg - Rear Cover	1
4	22487.01	Light Mounting Bracket	1
5	22488.01	NS Light Guard & Mounting	1
6	45900.07	Lighting Kit	1
	45656.08	Loom	1
	45642.02	Lamp Assy.	2
	45671.01	Reflector - Self Adhesive	2
	21150.01	Cable Ties	6
7	9100105	Flatwasher, 10.5 x 23.5 x 2.0	2
8	05.287.09	Nyloc Nut M5	3
9	9163005	Nyloc Nut M10	2
10	9163006	Nyloc Nut M12	2
11	9313055	Capscrew M10-P1.50- 25mm 5	2
12	9213246	Capscrew M12 x 120	2
13	9243062	Capscrew M5 x 30 Socket	3
14	9300164	M6 x 12 Taptite	4

LIGHT KIT (Standard for RMB1660-1 Only)



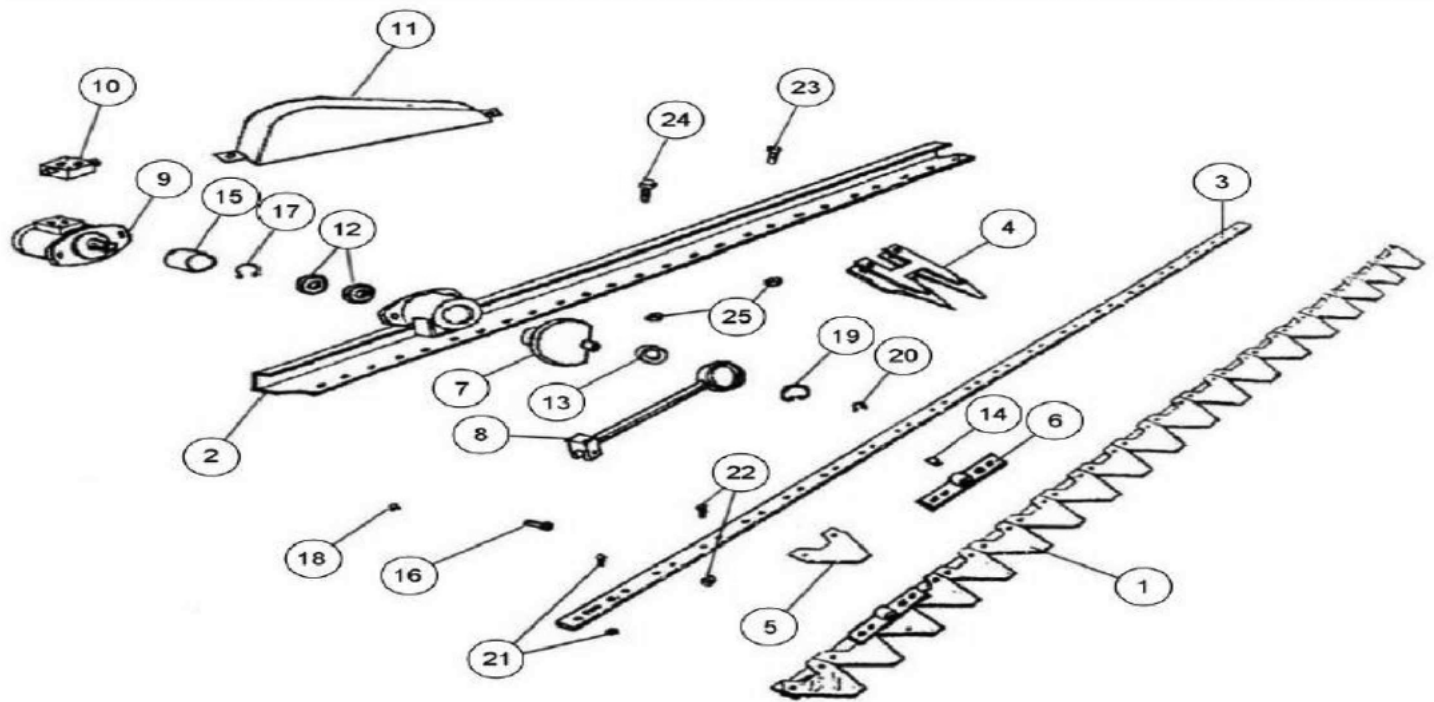
REF. NO.	PART NO.	DESCRIPTION	QTY.
1	22342.01	Cable Tie - 4.8 Wide x 120 Lg	12
2	22484.02R	Light Guard & Mtg, BH Red	1
3	22487.01R	Light Mounting Bracket, BH Red	1
4	22488.01R	NS Light Guard & Mounting, BH Red	1
5	45900.12	Lighting Kit Less Loom	1
6	9100105	Flatwasher, M10	2
7	9163005	Nyloc Nut M10	2
8	9163006	Nyloc Nut M12	2
9	9213246	Bolt, M12 x 120	2
10	9300164	M6 x 12 Taptite	4
11	9313055	Capscrew M10-P1.50- 25mm 5	2
12	45656.17	Lighting Loom Use 7 Pin Plug	1

LIGHT KIT SERVICE PARTS (Standard for RMB1660-1 Only)



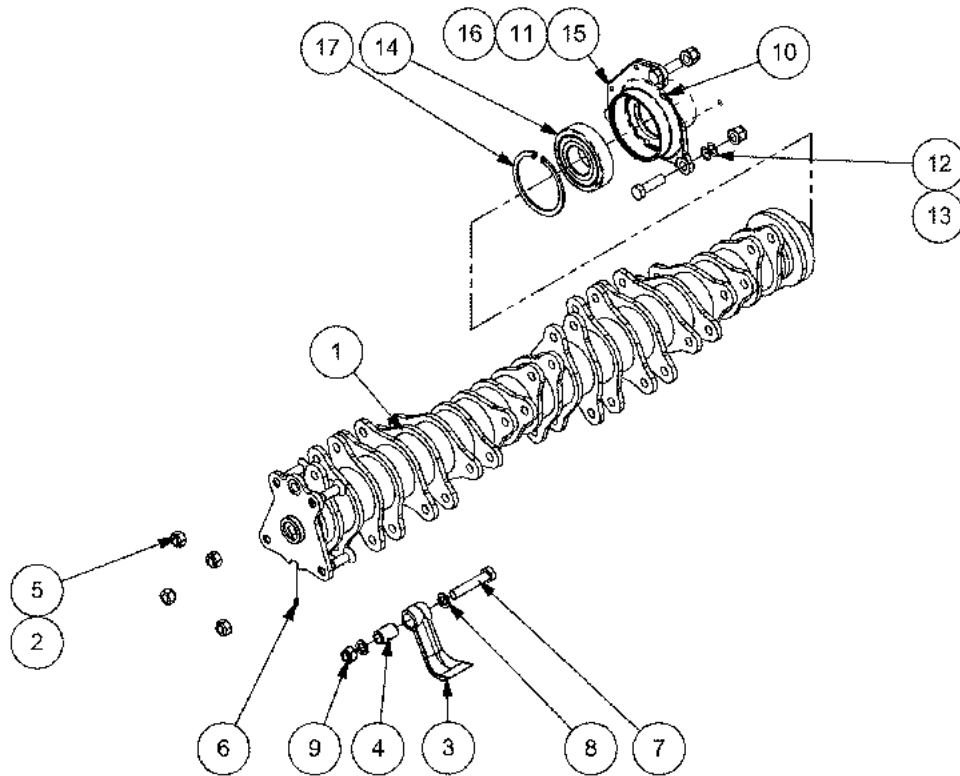
REF. NO.	PART NO.	DESCRIPTION	QTY.
	45900.07	Lighting Kit with Loom	1
	45900.12	Lighting Kit without Loom (Item 1)	1
1	45656.08	Loom Assy	1
2	45642.02	Lamp Assy.	2
3	45671.01	Reflector	2
4	21150.01	Cable Ties	6

CUTTER BAR RH



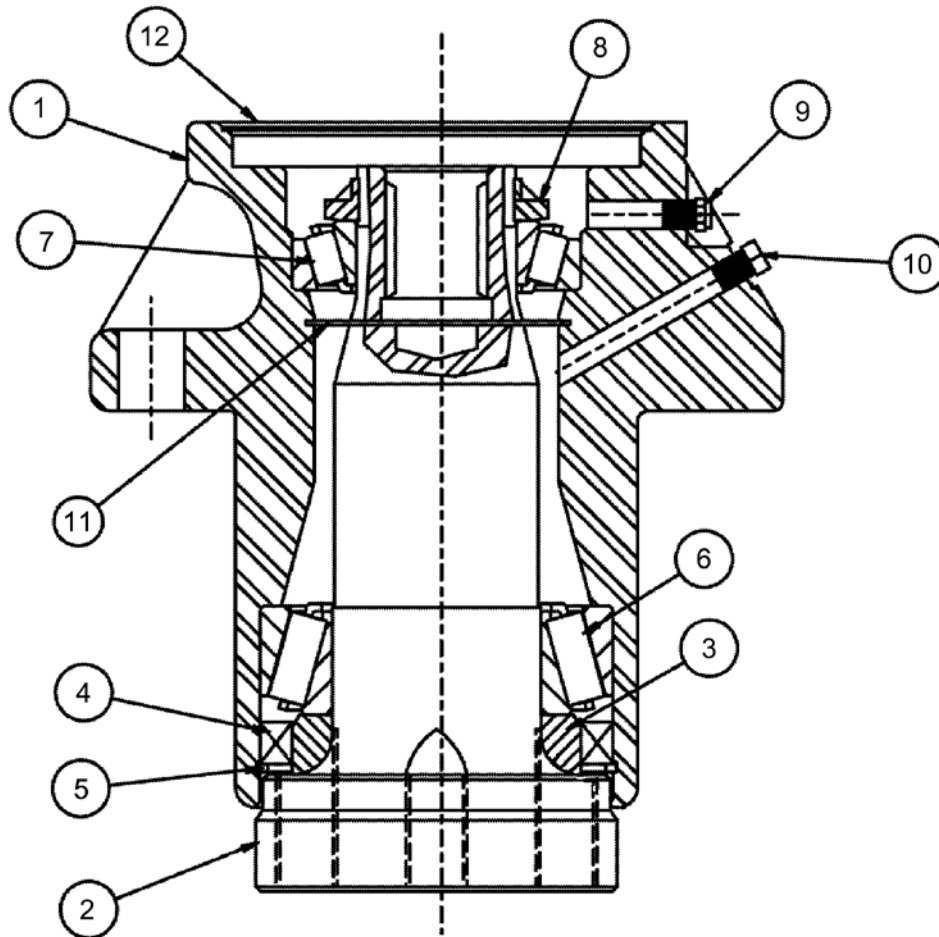
REF. NO.	PART NO.	DESCRIPTION	QTY.
	42018.05	Cutter Bar RH	1
1	42018.34	Cutter Bar	1
2	42018.14	Cutterbar Blade 1480 From 42018.01	1
	42018.29	Cutterbar Blade 1480 From 42018.05	1
3	42018.28	Backing Bar	1
4	42018.26	Finger From 42018.01	10
5	42018.27	Knife Section	19
6	42018.32	Bracket	1
7	42018.16	Flywheel	1
8	42018.18	Conrod	1
9	42018.10	Motor	1
10	42018.35	Distribution Block	1
11	42018.36	Guard	1
12	42018.13	Bearing	2
13	42018.17	Bearing	1
14	42018.33	Bush	1
15	42018.11	Spacer	1
16	42018.19	Pin	1
17	42018.12	Circlip	1
18	42018.20	Circlip	1
19	42018.21	Circlip	1
20	42018.22	Circlip	1
21	42018.30	Nut & Bolt Assy	35
22	42018.31	Nut & Bolt Assy	4
23	05.264.13	Setscrew M10 x 30mm Plated	20
24	05.264.15	Setscrew M10 x 40mm Plated	2
25	05.286.02	Nut	20

1.2M QUAD ROTOR KIT F10C (Optional)



REF. NO.	PART NO.	DESCRIPTION	QTY.
	23008.16	1.2M Quad Rotor Kit F10C	1
1	----	Rotor 1.2m Quad Drive	1
2	----	M16 x 45 Skt. Csk. Screw BZP	4
3	7390276	Single Edge Flail	24
4	7314223	Flail Pivot Bush	24
5	9163007	M16 Nyloc Nut	4
6	0901161	M16 x 1 Straight Grease Nipple	1
7	7314201	5/8 " UNF Special Bolt	24
8	0100206	Spring Washer 5/8"	48
9	----	5/8" UNF Cleveloc Nut	24
10	0901121	Grease Nipple 1/8 BSP - Straight	2
11	9200023	M16 x 1.5P x 55 Lg Ht Bolt BZP	3
12	8121043	Shim - 0.4mm	5
13	8121044	Shim - 0.5 Mm	5
14	0600018	Ball Bearing, 120 x 55 x 29mm (C3) 6311	1
15	7190261	Bearing Housing	1
16	9100024	Locking Flange Nut, M16 x 1.5P	3
17	7190022	120 Dia. Internal Circlip	1

SPINDLE & HOUSING ASSY, CW LUBRICANT



REF. NO.	PART NO.	DESCRIPTION	QTY.
	02960553BL	Spindle & Housing Assy, CW Lubricant	1
1	----	Housing	1
2	----	Spindle	1
3	----	Bearing Ring	1
4	02960559	Seal	1
5	----	Snap Ring	1
6	02960557	Bearing (Bottom)	1
7	00769938	Bearing (Top)	1
8	02962030	Nut	1
9	02959018	Grease Relief Fitting	1
10	00565000	Plug 1/8 NPT	1
11	----	Retaining Ring	1
12	----	Cover, Spindle	1



BUSH HOG[®]

2501 GRIFFIN AVE. • SELMA, AL 36703
WWW.BUSHHOG.COM