

OPERATOR'S MANUAL

Front Engine Lawn Tractor

English Page 1
 Spanish (Español) Page 37
 French (Français) Page 75

Record Product Information

Before setting up and operating your new equipment, please locate the model plate on the equipment and record the information in the provided area to the right. You can locate the model plate by lifting up the seat and looking under the seat pan. This information will be necessary, should you seek technical support via our web site or with your local authorized service dealer.

Model Number

Serial Number

WARNING

Read and follow all safety rules and instructions in this manual before attempting to operate this machine.

Failure to comply with these instructions may result in personal injury - SAVE THESE INSTRUCTIONS.

WARNING

CALIFORNIA PROPOSITION 65

Engine Exhaust, some of its constituents, and certain vehicle components contain or emit chemicals known to the State of California to cause cancer and birth defects or other reproductive harm.

Battery posts, terminals, and related accessories contain lead and lead compounds, chemicals known to the State of California to cause cancer and reproductive harm. Wash hands after handling. www.p65warnings.ca.gov

NOTE: This Operator's Manual covers several models. Features may vary by model. Not all features in this manual are applicable to all models and the model depicted may differ from yours.



SAFE OPERATION PRACTICES

WARNING



This symbol points out important safety instructions which, if not followed, could endanger the personal safety and/or property of yourself and others. Read and follow all instructions in this manual before attempting to operate this machine. Failure to comply with these instructions may result in personal injury. When you see this symbol, HEED ITS WARNING!

DANGER

This machine was built to be operated according to the safe operation practices in this manual. As with any type of power equipment, carelessness or error on the part of the operator can result in serious injury. This machine is capable of amputating hands and feet and throwing objects. Failure to observe the following safety instructions could result in serious injury or death.

GENERAL OPERATION

1. Read, understand, and follow all instructions on the tractor and in the manual(s) before attempting to assemble and operate. Keep this manual in a safe place for future and regular reference and for ordering replacement parts.
 2. Be familiar with all controls and their proper operation. Know how to stop the tractor and disengage them quickly.
 3. Never allow children under 14 years of age to operate this tractor. Children 14 and over should read and understand the instructions and safe operation practices in this manual and on the tractor and should be trained and supervised by an adult.
 4. Never allow adults to operate this tractor without proper instruction.
 5. If situations occur which are not covered in this manual, use care and good judgment. Contact your customer service representative for assistance.
 6. According to the U.S. Consumer Products Safety Commission (CPSC) and the U.S. Environmental Protection Agency (EPA), this product has an estimated useful life of seven (7) years, under ordinary use conditions. At the end of its useful life, have the product inspected annually to ensure all mechanical and safety systems are operating properly, safely, and are not worn excessively. Failure to do so may result in accident, injury, or death.
4. Always wear safety glasses or safety goggles during operation and while performing an adjustment or repair to protect your eyes. Thrown objects which ricochet can cause serious injury to the eyes.
 5. Wear sturdy, rough-soled work shoes and close-fitting slacks and shirts. Loose fitting clothes, jewelry, and long hair can be caught in moving parts. Never operate this tractor in bare feet or sandals.
 6. Never over fill fuel tank. Fill tank to no more than 1/2 inch (13 mm) below bottom of filler neck to allow space for fuel expansion.
 7. Replace gasoline cap and tighten securely.
 8. Use only accessories and attachments approved for this tractor by the tractor manufacturer. Read, understand, and follow all instructions provided with the approved accessory or attachment.

OPERATING

1. Data indicates that operators, age 65 years and above, are involved in a large percentage of tractor-related injuries. These operators should evaluate their ability to operate the tractor safely enough to protect themselves and others from serious injury.
2. Disengage the blades and set the parking brake before attempting to start the tractor.
3. Do not put hands or feet near rotating parts or under the cutting deck. Contact with the blade(s) can amputate hands and feet.
4. Watch for holes, ruts, bumps, rocks, or other hidden objects. Uneven terrain could overturn the tractor. Tall grass can hide obstacles.
5. Plan your mowing pattern to avoid discharge of material toward roads, sidewalks, helpers, and the like. Avoid discharging material against a wall or obstruction which may cause discharged material to ricochet back toward the operator.

PREPARATION BEFORE OPERATING

1. Thoroughly inspect the area where the tractor is to be used. Remove all stones, sticks, wire, bones, toys, and other foreign objects which could be picked up and thrown by the blade(s). Thrown objects can cause serious personal injury.
2. To help avoid blade contact or a thrown object injury, keep helpers at least 75 feet (23 meters) from the tractor while it is in operation. Keep bystanders, children, and pets inside during operation. Stop tractor if anyone enters the area.
3. Be aware of the tractor discharge direction and do not point it at anyone.

SAFE OPERATION PRACTICES

6. Check overhead clearances carefully before driving under low hanging tree branches, wires, door openings, etc., where the operator may be struck or pulled from the tractor, which could result in serious injury.
7. Never leave a running tractor unattended. Always turn off blade(s), set the parking brake, stop the engine, and remove the key before dismounting.
8. Disengage blade(s), set the parking brake, stop engine, and wait until the blade(s) come to a complete stop before removing grass catcher, emptying grass, unclogging chute, removing any grass or debris, or making any adjustments.
9. Your tractor is designed to cut normal residential grass of a height no more than 10 inches (25 cm). Do not attempt to mow through unusually tall, dry grass (e.g. pasture) or piles of dry leaves. Dry grass or leaves may contact the engine exhaust and/or build up on the tractor deck presenting a potential fire hazard.
10. Back up slowly. Always look down and behind before and while backing to avoid a back-over accident.
11. Never carry passengers.
12. Stay at least 10 feet (3 meters) from drop-offs, ditches, embankments, or the edge of water. The tractor could suddenly turn over if a wheel is over the edge of a cliff, ditch, or if an edge caves in.
13. A missing or damaged chute deflector can cause blade contact or thrown object injuries.
14. Do not operate the tractor without the chute deflector or entire grass catcher in its proper place.
15. Use extra care with grass catchers or other attachments. These can change the stability of the tractor. Always follow the attachment manufacturer's instructions.
16. Stop the blades when crossing gravel drives, walks, or roads and while not cutting grass.
17. Watch for traffic when operating near or crossing roadways. This tractor is not intended for use on any public roadway.
18. Mow only in daylight or good artificial light.
19. Do not operate the tractor while under the influence of alcohol or drugs.
20. Slow down before turning. Operate the tractor smoothly. Avoid erratic operation and excessive speed.
21. The muffler and engine become very hot and can cause serious burn injuries. Do not touch. Allow the tractor to cool for five minutes before attempting any service.
22. Never run an engine indoors or in a poorly ventilated area. Engine exhaust contains carbon monoxide, an odorless and deadly gas.

CHILDREN

1. Tragic accidents can occur if the operator is not alert to the presence of children. Children are often attracted to the tractor and the mowing activity. They do not understand the dangers. Never assume that children will remain where you last saw them.
2. Keep bystanders, children, and pets inside during operation under the watchful care of a responsible adult other than the operator. Stop tractor if anyone enters the area.
3. Never carry children, even with the blade(s) shut off. They may fall off or interfere with safe tractor operation, causing serious injury or death.
4. Children who have been given rides in the past could suddenly appear in the mowing area for another ride and be run over or backed over by the tractor, causing serious injury or death.
5. Be alert and turn tractor off if a child or bystander enters the area.
6. To avoid back-over accidents, always look behind and down for small children.
7. Use extreme care when approaching blind corners, doorways, shrubs, trees, or other objects that may block your vision of a child who may run into the path of the tractor.
8. Never allow children under 14 years of age to operate this tractor. Children 14 and over should read and understand the instructions and safe operation practices in this manual and on the tractor and should be trained and supervised by an adult.
9. Do not allow any child to joy ride on the tractor. The tractor is not a toy or a go-cart. Warn children that the tractor can be dangerous and they must stay away from it at all times.
10. Keep children away from hot or running engines. They can suffer burns from a hot muffler.
11. Remove key when tractor is unattended to prevent unauthorized operation. Make certain the key is inaccessible to small children.

SLOPE OPERATION

1. Slopes are a major factor related to loss of control and tip-over accidents which can result in severe injury or death. All slopes require extra caution. If you cannot back up the slope or if you feel uneasy on it, do not mow it.
2. For your safety, measure any slope before using the tractor on the sloped area. Use a slope measuring device in addition to the slope gauge included as part of this manual to measure slopes before operating this tractor on a sloped or hilly area. Smart phone applications can also be utilized to measure slopes. If the slope is greater than 15° (25%) as shown on the slope gauge or a slope measuring device, do not operate this tractor on that area or serious injury could result.

SAFE OPERATION PRACTICES

3. Do not mow on slopes greater than 15° (25%).
4. Do not mow across slopes, only mow up and down slopes that are less than 15° (25%). Use low speeds and avoid sudden turns.
5. Do not mow on wet grass. Reduced traction could cause sliding or a loss of control.
6. Do not operate tractor under any conditions where traction, steering, or stability is in question. Tires could slide even if the wheels are stopped.
7. Avoid starting and stopping on slopes. Avoid making sudden changes in speed or direction. Make turns slowly and gradually.
8. Use extra care while operating tractor with grass catcher or other attachment(s). They can affect the stability of the tractor. Do not use grass catcher on slopes greater than 10° (17%).
9. Do not try to stabilize the tractor by putting your foot on the ground.
10. Keep all movement on slopes slow and gradual. Do not make sudden changes in speed or direction. Rapid acceleration could cause the front of the tractor to lift and rapidly roll over backwards, which could cause serious injury or death.
11. Do not turn off tractor and freewheel downhill. Over-speeding may cause the operator to lose control of the tractor resulting in serious injury or death.

SLOPE GAUGE (BACK COVER)

WARNING

Slopes are a major factor related to slip and fall accidents which can result in severe injury or death. All slopes require extra caution. If you feel uneasy on the slope, do not mow it. Do not mow on slopes greater than 15° (25%). Do not mow across slopes, only mow up and down slopes.

USE THE SLOPE GAUGE ON THE BACK COVER AS SHOWN TO DETERMINE IF A SLOPE IS TOO STEEP FOR SAFE OPERATION!

To check the slope, proceed as follows:

1. Open manual to the back cover and fold along the dashed line.
2. Locate a vertical object on or behind the slope (e.g. a pole, building, fence, tree, etc.).
3. Align either side of the slope gauge with the object.
4. Adjust gauge up or down until the left corner touches the slope.
5. If there is a gap below the gauge, the slope is too steep for safe operation.

FIRE AND FUEL

1. To avoid personal injury or property damage use extreme care in handling gasoline. Gasoline is extremely flammable and the vapors are explosive. Serious personal injury can occur when gasoline is spilled on yourself or your clothes which can ignite. Wash your skin and change clothes immediately.
2. Extinguish all cigarettes, cigars, pipes, and other sources of ignition.
3. Use only an approved gasoline container.
4. Never remove gas cap or add fuel while the engine is hot or running. Allow engine to cool at least five minutes before refueling.
5. Never fuel tractor indoors.
6. Never store the tractor or fuel container inside where there is an open flame, spark, or pilot light as on a water heater, space heater, furnace, clothes dryer, or other gas appliances.
7. If gasoline is spilled, wipe it off the engine and equipment. Clean up oil or fuel spillage and remove any fuel soaked debris. Move tractor to another area. Wait five minutes before starting the engine.
8. To reduce fire hazards, keep tractor free of grass, leaves, or other debris build-up. Follow the Post-Operation Tractor Care instructions in the Product Care section.
9. The tractor is designed to cut normal residential grass of a height no more than 10 inches (25 cm). Do not attempt to mow through unusually tall, dry grass (e.g., pasture) or piles of dry leaves. Dry grass or leaves may contact the engine exhaust and/or build up on the tractor deck presenting a potential fire hazard.
10. Never over fill fuel tank. Fill tank to no more than 1/2 inch (13 mm) below bottom of filler neck to allow space for fuel expansion.
11. Replace gasoline cap and tighten securely. Do not operate without fuel cap in place.
12. Allow tractor to cool at least five minutes before fueling or storing.
13. Never fill containers inside a vehicle or on a truck or trailer bed with a plastic liner. Always place containers on the ground away from your vehicle before filling.
14. When practical, remove gas-powered equipment from the truck or trailer and refuel it on the ground. If this is not possible, then refuel such equipment on a trailer with a portable container, rather than from a gasoline dispenser nozzle.
15. Keep the nozzle in contact with the rim of the fuel tank or container opening at all times until fueling is complete. Do not use a nozzle lock-open device.

SAFE OPERATION PRACTICES

HAULING

1. Use properly secured full width ramps for loading and unloading tractor for transport.
2. Use extra care when loading or unloading the tractor into a trailer or truck. This tractor should not be driven up or down ramp(s), because the tractor could tip over, causing serious personal injury. The tractor must be pushed manually on ramp(s) to load or unload properly.
3. Raise the deck to the highest position for loading clearance.

TOWING

1. Do not tow a load that exceeds 250 lbs (113 kg) rolling weight and never exceed 50 lbs (22 kg) tongue weight.
2. Do not attach towed equipment except at the hitch point of the tractor.
3. Never allow children or others in or on towed equipment.
4. Do not tow on slopes greater than 5° (9%). On slopes, the weight of towed equipment may cause loss of traction, loss of control, and/or the ability to stop.
5. Always use extra caution when towing with a tractor capable of making tight turns (e.g. tight-turn tractor). Make wide turns to avoid jack-knifing.
6. Travel slowly and allow extra distance to stop.

SERVICE

1. Keep machine in good working order. Do not use the tractor until worn or damaged parts are replaced.
2. To avoid serious injury or death, do not modify engine in any way. Tampering with the governor setting can lead to a runaway engine and cause it to operate at unsafe speeds. Never tamper with factory setting of engine governor. Do not change the engine governor settings or over-speed the engine. The governor controls the maximum safe operating speed of the engine.
3. Tractor blades are sharp. Wrap the blade or wear gloves, and use extra caution when servicing them.
4. Tractors with hydraulic pumps, hoses, or motors; and/or diesel injection systems have fluid systems under pressure. Fluid escaping under pressure may have sufficient force to penetrate skin and cause serious injury. If fluid is injected into the skin, seek immediate medical attention. Keep body and hands away from pin holes or nozzles that eject fluid under high pressure. If a leak occurs, have the tractor immediately serviced by an authorized dealer.

5. Before cleaning, repairing, or inspecting, make certain the blade(s) and all moving parts have stopped. Turn off the engine, remove the key, and disconnect the spark plug wire(s) and negative battery cable to prevent unintended starting.
6. Check to make sure the blades come to a complete stop in not more than five seconds after disengaging the blade disengagement control per the schedule shown on the Maintenance Schedule chart in the Product Care section of this manual. Measure the stopping time with a stop watch. If the blades do not stop completely in less than five seconds, the tractor should be serviced professionally by an authorized dealer.
7. Check the safety interlock system for proper function per the schedule shown on the Maintenance Schedule chart in the Product Care section of this manual. If the safety interlock system does not function properly, have the tractor serviced professionally by an authorized dealer.
8. Never tamper with the safety interlock system or other safety devices. Check their proper operation regularly.
9. Check the blade(s) and engine mounting bolt torque in accordance with the Maintenance Schedule chart in this manual. Also, visually inspect blade(s) for damage (e.g., excessive wear, bent, cracked). Replace the blade(s) with the original equipment manufacturer's (O.E.M.) blade(s) only.
10. Use of service parts which do not meet the original equipment specifications may lead to improper performance and compromise safety.
11. Keep all nuts, bolts, and screws tight to be sure the equipment is in safe working condition. Review the Maintenance Schedule chart in this manual for service interval information.
12. After striking a foreign object, stop the engine, remove the key, and disconnect the spark plug wire(s) and negative battery cable to prevent unintended starting. Thoroughly inspect the tractor for any damage. Repair the damage before starting and operating.
13. Never attempt to make adjustments or repairs to the tractor while the engine is running.
14. Grass catcher components and the chute deflector are subject to wear and damage which could expose moving parts or allow objects to be thrown. Frequently check components and replace immediately with original equipment manufacturer's (O.E.M.) parts only.
15. Maintain or replace safety and instruction labels, as necessary.
16. Observe proper disposal laws and regulations for gas, oil, etc. to protect the environment.

SAFE OPERATION PRACTICES

NOTICE REGARDING EMISSIONS

Engines which are certified to comply with California and federal EPA emission regulations for SORE (Small Off Road Equipment) are certified to operate on regular unleaded gasoline and may include the following emission control systems: Engine Modification (EM) and Three Way Catalyst (TWC), if so equipped.

When required, models are equipped with low permeation fuel lines and fuel tanks for evaporative emission control. California models may also include a carbon canister. Please contact Customer Support for information regarding the evaporative emission control configuration for your model.

SPARK ARRESTOR

WARNING




This machine is equipped with an internal combustion engine and should not be used on or near any unimproved forest-covered, brush-covered, or grass-covered land unless the engine's exhaust system is equipped with a spark arrestor meeting applicable local or state laws (if any).

If a spark arrestor is used, it should be maintained in effective working order by the operator. In the State of California the above is required by law (Section 4442 of the California Public Resources Code). Other states may have similar laws. Federal laws apply on federal lands.

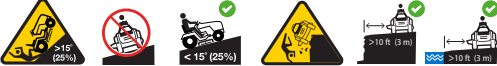


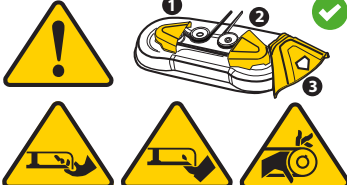
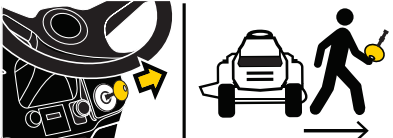
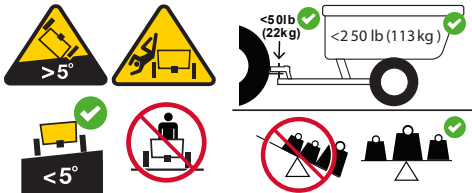

A spark arrestor for the muffler is available through your nearest engine authorized service dealer or contact the service department, P.O. Box 361131, Cleveland, Ohio 44136-0019.

SAFETY SYMBOLS

This table depicts and describes safety symbols that MAY APPEAR on this product.

Symbol	Description
 <p data-bbox="236 911 415 938">OPESymbol.com</p>	<p>WARNING - READ OPERATOR'S MANUAL - Read, understand, and follow all the safety rules and instructions in the manual(s) and on the tractor before attempting to operate this tractor. Failure to comply with this information may result in personal injury or death. Keep this manual in a safe location for future and regular reference. Using a Smart Phone, scan the QR code symbol to learn more information concerning the warnings contained on this tractor. You can also go to www.OPESymbol.com for more information.</p>
	<p>WARNING - AVOID THROWN OBJECTS INJURY - Keep helpers at least 75 feet (23 meters) from machine during operation. Remove all stones, sticks, wire, bones, toys, and other foreign objects which could be picked up and thrown by the blade(s). Do not operate the tractor without the discharge cover or entire grass catcher in its proper place.</p>
	<p>WARNING - AVOID CHILD BACKOVER/RUNOVER/BLADE INJURY - To avoid back-over accidents, always look behind and down for small children. Never carry children, even with the blade(s) shut off. Keep bystanders, children, and pets inside during operation under the watchful care of a responsible adult other than the operator. Stop tractor if anyone enters the area.</p>

SAFE OPERATION PRACTICES

Symbol	Description
	<p>WARNING - AVOID TIP-OVER/ROLL-OVER INJURY - Do not operate machine on a slope greater than 15° (25%). Do not mow across slopes, only mow up and down slopes that are less than 15° (25%). Use low speeds and avoid sudden turns on slopes. Stay at least 10 feet (3 meters) from drop-offs, ditches, embankments, or the edge of water.</p>
	<p>WARNING - AVOID FIRES - Your tractor is designed to cut normal residential grass of a height no more than 10 inches (25 cm). Do not attempt to mow through unusually tall, dry grass (e.g., pasture) or piles of dry leaves. Allow tractor to cool at least five minutes before fueling or storing inside an enclosed garage or storage shed.</p>
	<p>WARNING - AVOID AMPUTATION INJURY - Do not put hands or feet near or under the cutting deck. Contact with the blade(s) can amputate hands and feet.</p>
	<p>WARNING - AVOID AMPUTATION INJURY - Do not put hands or feet near rotating parts or under the cutting deck. Contact with the blade(s) can amputate hands and feet. Ensure that all safety devices (guards, shields, switches, etc.) are in place and working. Belt and/or blade spindle contact can crush or injure body parts.</p>
	<p>WARNING - REMOVE KEY - Always turn off blade(s), set the parking brake, stop engine, and remove key before dismounting. If you are leaving the tractor unattended, always remove the key to prevent unauthorized use by children or others.</p>
	<p>WARNING - AVOID TOWING RELATED INJURY - Do not tow a load that exceeds 250 lbs (113 kg) rolling weight and never exceed 50 lbs (22 kg) tongue weight. Never allow children or others in or on towed equipment. Do not tow on slopes greater than 5° (9%). On slopes, the weight of the towed equipment may cause loss of traction, loss of control, and/or loss of the ability to stop. Travel slowly and allow extra distance to stop.</p>
	<p>WARNING - HOT SURFACE - The muffler and engine become very hot and can cause serious burn injuries. Do not touch. Allow the machine to cool for at least five minutes before storing or attempting any service.</p>

⚠ WARNING

Your Responsibility—Restrict the use of this power machine to persons who read, understand, and follow the warnings and instructions in this manual and on the machine - **SAVE THESE INSTRUCTIONS!**

NOTE: This Operator's Manual covers several models. Tractor features may vary by model. Not all features in this manual are applicable to all tractor models and the tractor depicted may differ from yours.

NOTE: All references in this manual to the left or right side and front or back of the tractor are from the operating position only. Exceptions, if any, will be specified.

PREPARATION

Manually Moving the Tractor

1. Engage the transmission bypass rod to move the tractor manually without starting it. The transmission bypass rod is located on the rear of the tractor, on the frame. Engage the bypass rod by pulling out (Figure 1).

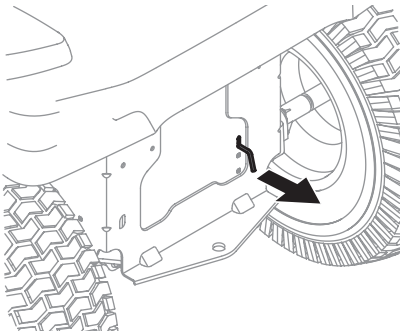


Figure 1

NOTE: If the tractor will not move or does not move freely when pushing check if the hydrostatic bypass rod is fully open or the brake is engaged.

NOTE: The transmission will NOT engage when the hydrostatic bypass rod is pulled out. Return the rod to its disengaged position prior to operating the tractor.

2. Disengage the transmission bypass rod by pushing the rod back in after moving the tractor (Figure 1).

Install Operator's Seat (If necessary)

To install the seat proceed as follows:

NOTE: The seat is shipped with the seat switch and seat pan attached.

1. Cut any straps securing the seat assembly to the tractor. Remove any packing material.

NOTE: Be careful not to cut the wiring harness connecting the seat and the seat switch.

2. Remove the two shoulder bolts (a) and flange lock nuts (b) in the seat pan (Figure 2).

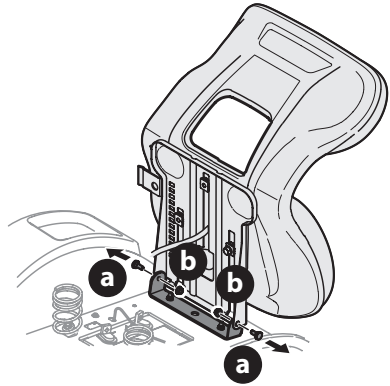


Figure 2

3. Rotate the seat into position and slide a Phillips screwdriver through one of the seat-securing holes and seat bracket for alignment.
4. With the previously removed shoulder bolts (a) and flange lock nuts (b) secure one side of the seat and seat bracket. While supporting the seat, remove the Phillips screwdriver and secure the other side of the seat. Be careful not to crimp or damage the wire harness while installing the seat (Figure 3). Torque to 84-103 in-lbs (9-12 N-m).

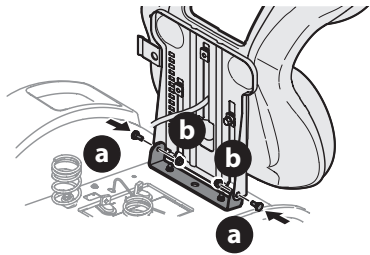


Figure 3

5. Using the harness clip attached to the harness, secure the excess wire to the fender by snapping the harness clip in place (Figure 4).

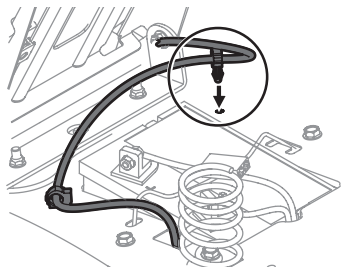


Figure 4

SET-UP

Installing the Hood Collar (If necessary)

There are three (3) alignment posts (a) on the hood collar (b) that line up with corresponding alignment holes (c) in the hood (d) (Figure 5).

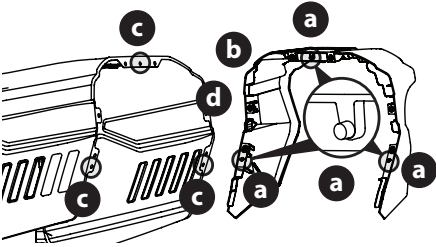


Figure 5

Use these alignment points to properly position the hood collar (a), then secure it in place with the six hex bolts (b) provided in the hardware bag. Tighten the hex bolts to 102-124 in-lbs (12-14 N-m) (Figure 6).

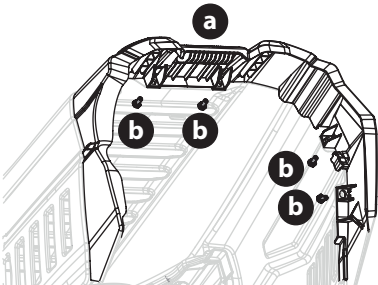


Figure 6

Installing the Snap-On Hood Topper (If necessary)

1. To install the snap-on hood topper (a), line up the holes on the hood topper (a) with the tabs (b) in the hood frame (Figure 7).

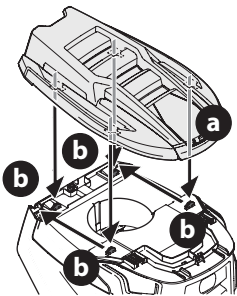


Figure 7

2. Insert the tabs into the hood topper and pull back to lock into place.

3. Once the hood topper is in place, the two locking tabs near the rear of the hood need to be pushed upward to lock the hood topper in place (Figure 8).

Hood Topper Not Shown for Clarity

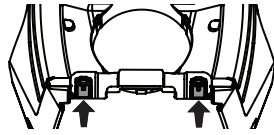


Figure 8

Installing the Screw Hood Topper (If necessary)

NOTE: Be careful not to damage the headlight harness when installing the screw-on hood topper.

1. Set the hood topper up against the top of the hood with the hood open, and align the holes on the hood.
2. Secure the screw-on hood topper (a) from below, hand-tighten the screws (b) on the rear half of the hood and then snug them (Figure 9).
3. With the rear screws in place, align the holes in the hood topper (a) with the holes in the hood (c) and secure in place with remaining two screws (d) (Figure 9).

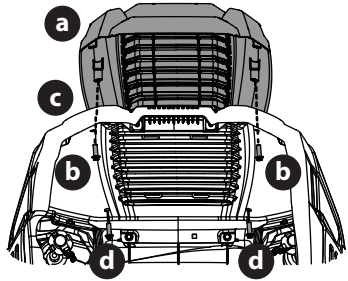


Figure 9

4. Tighten all four screws to 16-24 in-lbs (2-3 N-m).

Installing the Plenum (If necessary)

NOTE: Be careful not to damage the headlight harness when installing the plenum.

To install the plenum onto the hood:

1. Insert the rear tabs (c) (Figure 10).

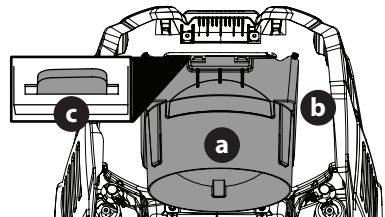


Figure 10

- With the rear tabs installed, insert the front tabs (a) on the plenum (b) (Figure 11).

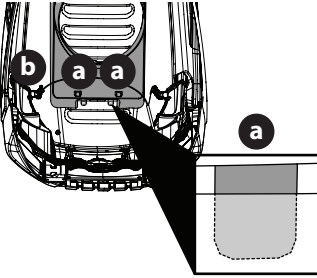


Figure 11

NOTE: The rear tabs fit into a recessed area on the top of the hood. They slide up from under the hood and into these recessed areas.

- Push up on the bottom of the plenum to make sure that the plenum is securely in place.
- Secure the headlight harness (a) into the two guides (b) on the front of the plenum (Figure 12).

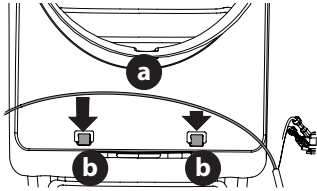


Figure 12

Installing the Dash Cap (If necessary)

To install the dash cap (a), line up the tabs (b) on the dash cap (a) with the holes in the upper dash (Figure 13). Slide the tabs (b) into the holes in the upper dash and push forward on the dash cap to lock into place.

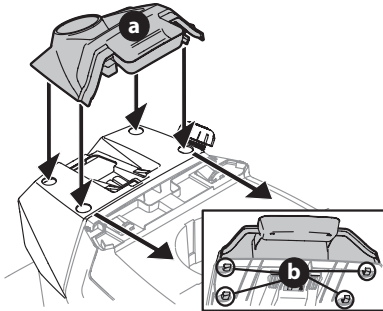


Figure 13

NOTE: Be sure to press on the lower part of the dash cap (a) facing the operator position to ensure the lower tabs on the dash cap are in place (Figure 13).

Installing the Steering Wheel (If necessary)

The hardware for attaching the steering wheel has been packed within the steering wheel, beneath the steering wheel cap. Carefully remove the cover by inserting a small flat screwdriver into one of the three snap locations, and slowly prying up on the steering wheel cap to remove the hardware.

IMPORTANT! Do not use impact tools to install or remove the steering wheel. Doing so can over-torque and damage the fastener.

- With the wheels of the tractor pointing straight forward, align the steering wheel (a) by using the center-line (b) on the front of the steering wheel (a) pointing straight ahead and the flat section (c) of the steering wheel (a) facing toward the seat, place the steering wheel (a) over the steering shaft (d) (Figure 14).

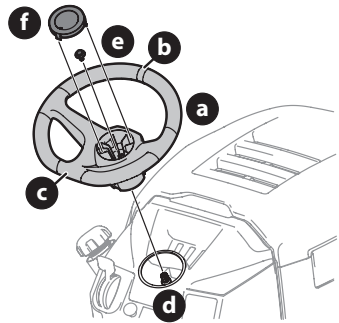


Figure 14

- Secure the steering wheel (a) with the hex bolt (e) from under the steering wheel cap (f) and torque to 18-22 ft-lbs (24-30 N-m) (Figure 14).
- Place the steering wheel cap (f) over the center of the steering wheel (a) and push downward until it "clicks" into place (Figure 14).

NOTE: The hex bolt (e) securing the steering wheel (a) has thread locker applied to it, so if it is removed, it is recommended that the hex bolt (e) be replaced or thread lock re-applied (Figure 14).

Installing the Front Bumper (If equipped)

⚠ WARNING

Disengage the PTO, engage the brake lock, and stop the tractor engine before performing any preparation procedures. Place the tractor on a firm and level surface before beginning installation or removal procedures.

The exhaust system and surrounding areas are HOT. To avoid personal injury, allow the tractor to cool before beginning any installation or removal procedures.

The hardware for attaching the front bumper is shipped installed into the bumper.

SET-UP

1. Remove the four hex screws (a) from the bumper (b) (Figure 15).
2. Position the bumper brackets to the inside of the tractor's frame and secure it in place with the four hex screws (a) (Figure 15).

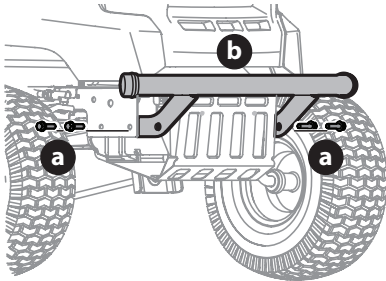


Figure 15

Installing the FastAttach™ Brush Guard (If equipped)

1. Align the brush guard assembly with the FastAttach™ brackets and push assembly together (Figure 16).

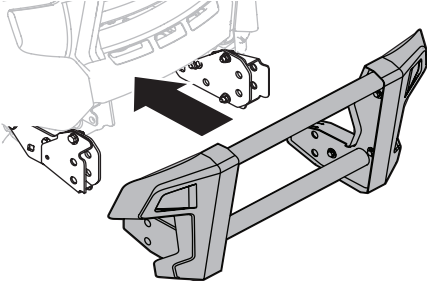


Figure 16

2. Install the pins on the right and left side of brush guard (1) and then secure with two cotter pins (2) found in the hardware pack (Figure 17).

NOTE: Pulling up lightly on the brush guard may make installation of the pins easier.

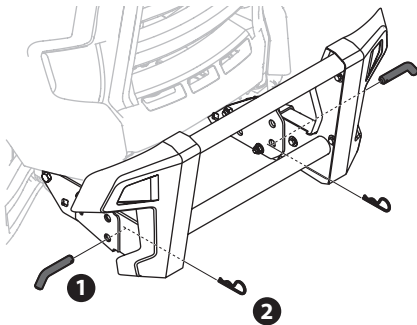


Figure 17

Lower Deck Discharge Chute Deflector

⚠ WARNING

Never operate the mower deck without the chute deflector installed and in the down position.

FOR 46 INCH DECK MODELS:

1. Remove the keys attached with a zip tie to the chute bracket.
2. Remove the flange lock nut and hex screw from the deck.
3. Place the chute deflector on the deck, be sure to insert the tabs on the chute deflector into the holes on the deck (Figure 18).

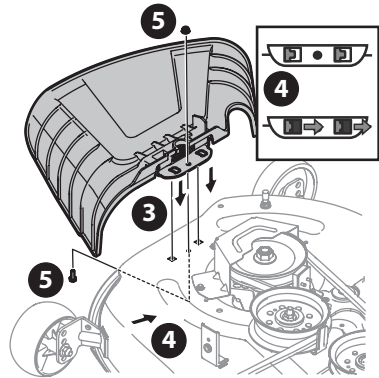


Figure 18

4. Slide the chute deflector toward the rear of the tractor until the bolt hole in the chute deflector aligns with the hole in the deck (Figure 18).
5. Secure the chute deflector in place with the flange lock nut and hex screw removed in Step 2. Tighten to 102-124 in-lbs (12-14 N-m) (Figure 18).
6. Skip ahead to Setting the Deck Wheels.

FOR 42/50/54 INCH DECK MODELS:

1. Check the tractor deck for a shipping brace that may be holding the chute deflector upward for shipment. If the brace is present, it must be removed before operating the tractor. Holding the chute deflector fully upward, remove the shipping brace. Lower the chute deflector and discard the shipping brace (Figure 19).

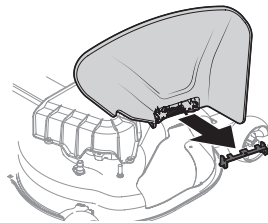


Figure 19

Setting the Deck Wheels

NOTE: The deck wheels are an anti-scalp feature of the deck and are not designed to support the weight of the cutting deck.

1. Move the tractor to a level surface, preferably pavement.
2. Check the tire pressure, adjust, if necessary. See tire sidewall for proper tire pressure.
3. Make sure the deck is level side-to-side and properly pitched. See the Product Care section for deck leveling information and instructions.
4. Place deck lift lever in the desired mowing height position.
5. Check the wheels for contact or excessive clearance with the surface below.

NOTE: The deck wheels should have between 1/4-1/2 inch (6.35-12.7 mm) clearance above the ground. Proceed as follows to adjust the wheels:

- a. Raise the deck lift handle to its highest setting.
- b. Remove the front (a) and rear (b) deck wheels by removing the flange lock nuts (c) and shoulder bolts (d) that secure them to the deck (Figure 20).

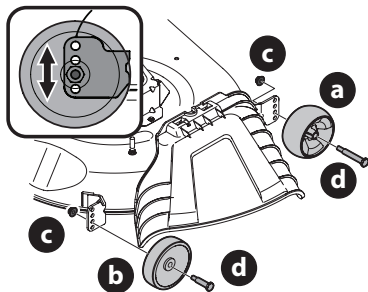


Figure 20

- c. Place the deck lift lever in the desired mowing height setting.
- d. Reinsert the shoulder bolt (with each deck wheel) into the index hole that leaves approximately 1/2 inch (12.7 mm) between the bottom of the wheel and the pavement. Tighten the flange lock nut and shoulder bolt to between 25-30 ft-lbs (34-41 N-m) using a torque wrench.

BATTERY INFORMATION

⚠ WARNING

CALIFORNIA PROPOSITION 65 WARNING: Battery posts, terminals, and related accessories contain lead and lead compounds, chemicals known to the State of California to cause cancer and reproductive harm. Wash hands after handling.

⚠ WARNING

Should battery acid accidentally splatter into the eyes or onto the skin, rinse the affected area immediately with clean cold water. Seek prompt medical attention.

If acid spills on clothing, first dilute it with clean water, then neutralize with a solution of ammonia/water or baking soda/water.

NEVER connect (or disconnect) battery charger clips to the battery while the charger is turned on, as it can cause sparks.

Keep all sources of ignition (cigarettes, matches, lighters) away from the battery. The gas generated during charging can be combustible.

As a further precaution, only charge the battery in a well ventilated area.

Always shield eyes and protect skin and clothing when working near batteries.

Batteries contain sulfuric acid and may emit explosive gases. Use extreme caution when handling batteries. Keep batteries out of the reach of children.

The battery may present a risk of fire or chemical burn if misused. Do not open, disassemble, overheat, or incinerate the battery.

⚠ CAUTION

When attaching battery cables, always connect the **POSITIVE (Red)** wire to the terminal first, followed by the **NEGATIVE (Black)** wire.

NOTE: The positive battery terminal is marked Pos. (+). The negative battery terminal is marked Neg. (-).

Connecting the Battery Cables

⚠ WARNING

Always connect the positive lead to the battery before connecting the negative lead. This will prevent sparking or possible injury from an electrical short caused by contacting the tractor body with tools being used to connect the cables.

For shipping reasons the factory may leave both battery cables disconnected from the terminals. To connect the battery cables, proceed as follows:

NOTE: Wiring harness should lay on top of battery hold down rod, otherwise damage to the wiring harness may result (Figure 22 on page 13).

1. Remove the factory installed hex screws (a) and square nuts (b) located either on the end of the wiring harness or in the bag with this manual. Retain the hardware for later instructions (Figure 21).
2. Remove the plastic cover (c), if present, from the positive battery terminal (d) and attach the red cable (e) to the positive battery terminal (d) with one of the hex screws (a) and square nuts (b), from Step 1. Use a Philips screw driver (Figure 21).
3. Position the red rubber boot over the positive battery terminal to help protect it from corrosion (Figure 21 inset).
4. Remove the plastic cover (c), if present, from the negative battery terminal (f) and attach the black cable (g) to the negative battery terminal (f) with the remaining hex screw (a) and square nut (b) (Figure 21).

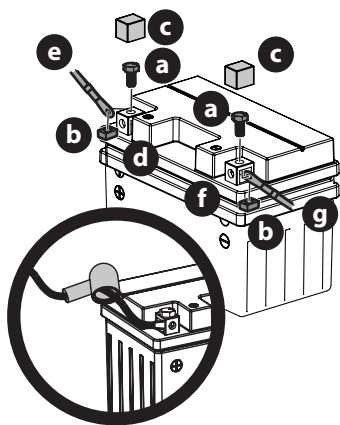


Figure 21

NOTE: If the battery is put into service after the date shown on top/side of battery, charge the battery as instructed in the Charging the Battery section prior to operating the tractor.

Battery Maintenance

- Some batteries are filled with battery acid and then sealed at the factory. However, even a “maintenance free” battery requires some maintenance to ensure its proper life cycle.
- Spray the terminals and exposed wire with a battery terminal sealer, or coat the terminals with a thin coat of grease or petroleum jelly, to protect against corrosion.
- Always keep the battery cables and terminals clean and free of corrosion.
- Some models are equipped with a battery containing a liquid electrolyte. Handle the battery with care and avoid tipping to prevent leakage.

Battery Storage

- When storing the tractor for extended periods, disconnect the negative battery cable. It is not necessary to remove the battery.
- All batteries discharge during storage. Keep the exterior of the battery clean, especially the top. A dirty battery will discharge more rapidly.
- The battery must be stored with a full charge. A discharged battery can freeze sooner than a charged battery. A fully charged battery will store longer in cold temperatures than hot.
- Recharge the battery before returning to service. Although the tractor may start, the engine charging system may not fully recharge the battery.

Battery Removal

⚠ WARNING

Battery posts, terminals, and related accessories contain lead and lead compounds. Wash hands after handling.

The battery is located beneath the seat frame. To remove the battery:

1. Remove the hex screw and square nut securing the black negative battery lead to the negative battery post (marked NEG (-)). Move the cable away from the negative battery post.
2. Remove the hex screw and square nut securing the red positive battery lead to the positive battery post (marked POS (+)).
3. Remove the battery hold down rod by pushing the hooked end out of the tab on the fender to the right side of the battery. Then flip the battery hold down rod up to free the battery (Figure 22).

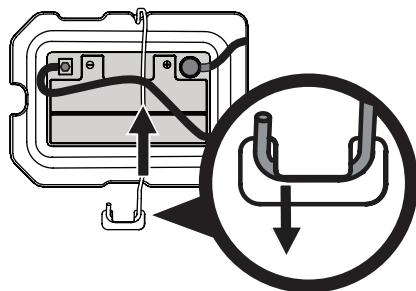


Figure 22

4. Carefully lift the battery out of the tractor.
5. Install the battery by repeating the above steps in the reverse order.

Charging the Battery

Test and, if necessary, recharge the battery after the tractor has been stored for a period of time.

MODELS WITH LEAD-ACID BATTERY

- A voltmeter or load tester reading of 12.4 volts (DC) or lower across the battery terminals indicates that the battery needs to be charged.
- A lead-acid battery charger should be used. Recommended charge rate is 4A/14.7V.
- If your battery charger is automatic, charge the battery until the charger indicates that charging is complete. If the charger is not automatic, charge for no fewer than eight (8) hours.

MODELS WITH AGM BATTERY

- An AGM battery charger should be used. Recommended charge rate is 1.1A/14.8V.

IMPORTANT! Do NOT use an automotive charger.

- If your battery charger is automatic, charge the battery until the charger indicates that charging is complete. If the charger is not automatic, charge for no fewer than eight (8) hours.

ADJUSTING THE SEAT

To adjust the position of the seat, lift the seat adjustment lever up. Slide the seat forward or rearward to the desired position; then release the adjustment lever. Make sure seat is locked into position before operating the tractor (Figure 23).

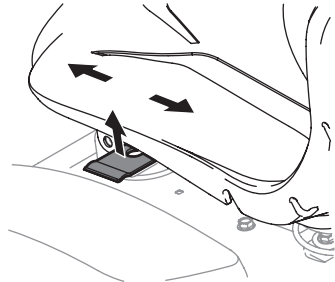


Figure 23

OIL

NOTE: Your tractor is shipped with oil in the engine. However, you **MUST** check the oil level before operating. See the Engine Operator's Manual for instructions on checking, adding and changing oil.

CAUTION

Always check the engine oil level before each use as instructed in the Engine Operator's Manual. Add oil as necessary. Failure to do so may result in serious damage to your engine.

OPERATION

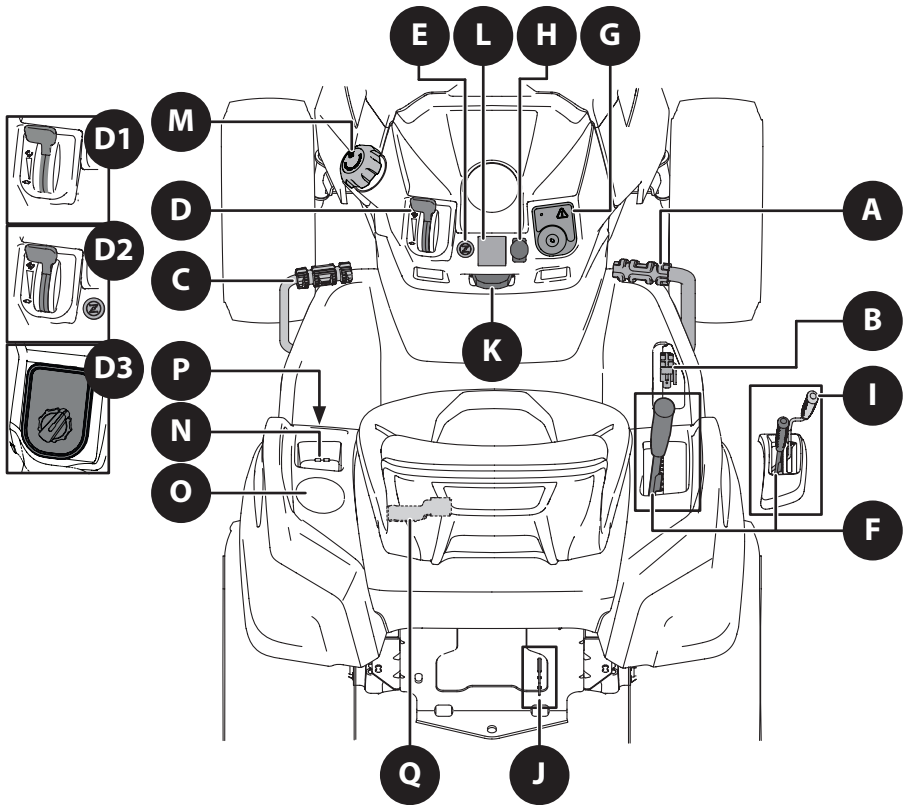


Figure 24

NOTE: This Operator's Manual covers several models. Tractor features may vary by model. Not all features in this manual are applicable to all tractor models and the tractor depicted may differ from yours.

NOTE: All references in this manual to the left or right side and front or back of the tractor are from the operating position only. Exceptions, if any, will be specified.

A. FORWARD DRIVE PEDAL

Depress the forward drive pedal forward to allow the tractor to travel forward. The further forward the pedal is depressed, the faster the tractor will travel. The pedal will return to its original/neutral position when it is not depressed.

B. REVERSE DRIVE PEDAL

Depress the reverse drive pedal downward to allow the tractor to travel backward. The further downward the pedal is depressed, the faster the tractor will travel. The pedal will return to its original/neutral position when it is not depressed.

C. BRAKE PEDAL

Depress the brake pedal while the tractor is in use to stop the tractor and for setting the parking brake.

NOTE: The brake pedal must be fully depressed to start the tractor. Refer to Safety Interlock System for more information.

D. THROTTLE/CHOKE CONTROL LEVER, THROTTLE CONTROL, OR ELECTRONIC GOVERNOR CONTROL

- 1. Throttle/Choke Control Lever (If equipped)** - Push the throttle/choke control lever forward to increase the engine speed. The tractor is designed to operate with the throttle/choke control lever at full throttle (FAST) when the tractor is being driven and the mower deck is engaged. Pull the throttle/choke control lever rearward to decrease the engine speed. When starting the engine, push the control lever fully forward into the CHOKE position. After starting and warming the engine, move the control lever rearward until you feel it move past the choke detent. Throttle is not meant to control unit speed, throttle should remain in high speed while operating blades.

OPERATION

2. Throttle Control (If equipped) - Push the throttle control lever forward to increase the engine speed. The tractor is designed to operate with the throttle control lever at full throttle (FAST) when the tractor is being driven and the tractor deck is engaged. Pull the throttle control lever rearward to decrease the engine speed.

3. Electronic Governor Control (If equipped) - When set in a given position, a uniform engine speed will be maintained. The electronic governor control has various inputs for maintaining engine speed. Use CUT setting for optimal cutting performance in normal cutting conditions. Use POWER CUT setting for optimal cutting performance in heavy cutting conditions.

NOTE: If the tractor is equipped with an electronic governor control, the tractor can be started at any speed setting along the dial and will automatically adjust to the desired engine speed setting.

NOTE: It may take a few seconds after starting for the engine to adjust to the proper engine speed. This is normal.

E. CHOKE CONTROL (IF EQUIPPED)

The choke control determines the position of the engine choke. Pull the knob out to choke the engine; push the knob in to open the choke. If equipped, choke control will be paired with a throttle control (D2). When pulled outward the choke control closes the choke for cold starting. Once started always run the engine with the choke control pushed all the way inward.



F. DECK LIFT LEVER

The deck lift lever is used to raise and lower the deck. Pull the lever to the left out of the index notch and push downward to lower the deck, or pull upward to raise the deck. When the desired height is attained, move the lift lever to the right until fully engaged in the index notch.

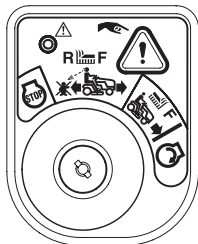
G. IGNITION SWITCH MODULE

Turn-Key Start (If Equipped)


⚠ WARNING

Never leave a running tractor unattended. Always disengage PTO, set parking brake, stop tractor, and remove the key to prevent unauthorized operation.

Refer to Starting the Engine for information on how to start the engine. Refer to Stopping the Engine for instructions on how to stop the engine.



⚠ CAUTION

Prior to operating the tractor, refer to both Stopping the Engine and Starting the Engine in the Operation section of this manual for detailed instructions regarding the ignition switch module and operating the tractor in REVERSE CAUTION MODE .

PBS (Push Button Start)/Service Minder And Hour Meter (If Equipped)

⚠ WARNING

Never leave a running tractor unattended. Always disengage PTO, set parking brake, stop tractor, and remove the key to prevent unauthorized operation.

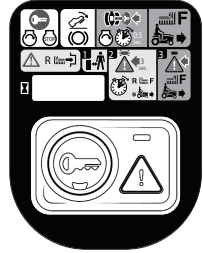
NOTE: If the REVERSE CAUTION MODE button is depressed during starting, the starting sequence is aborted and needs to be restarted.

To stop the engine, press or remove the ignition key.

When the ignition key is inserted and pressed for less than 0.5 seconds, the LCD service minder and hour meter (if equipped) will briefly display the battery voltage, followed by the tractor's accumulated hours.

NOTE: Hours of tractor operation are recorded only when the engine is running.

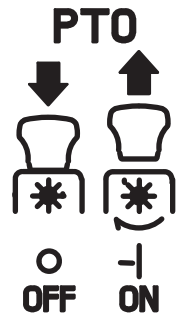
The LCD service minder and hour meter will remind the operator of maintenance intervals for changing the engine oil, air filter service, low engine oil and low or high battery voltage warnings.



H. POWER TAKE-OFF (PTO)(BLADE ENGAGE) SWITCH (ELECTRIC PTO) (IF EQUIPPED)

The PTO (blade engage) switch operates the electric PTO clutch mounted on the bottom of the engine crankshaft. Pull the switch knob outward to engage the PTO clutch, or push the knob inward to disengage the clutch.

The PTO (blade engage) switch must be in the OFF position when starting the engine. See Engaging the PTO (Blade Engage) (Electric PTO tractors) section for information and instructions on using the PTO.



I. PTO (BLADE ENGAGE) LEVER (MANUAL PTO)

Activating the PTO (blade engage) lever engages power to the cutting deck or other (separately available) attachments. See Engaging the PTO (Blade Engage) (Manual PTO tractors) section for information and instructions on using the PTO.

J. TRANSMISSION BYPASS ROD

When engaged, the rod opens a bypass within the hydrostatic transmission, which allows the tractor to be pushed short distances by hand. Refer to the Set-Up section for instructions on using the bypass feature.



⚠ CAUTION

Never tow your tractor. Towing the tractor with the rear wheels on the ground may cause severe damage to the transmissions.

K. PARK BRAKE/CRUISE CONTROL LEVER

The park brake/cruise control lever is used to engage the parking brake and the cruise



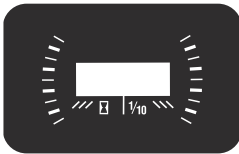
control. Refer to the Driving the Tractor section of this manual for detailed instructions regarding the parking brake.

NOTE: The parking brake must be set if the operator leaves the seat with the engine running or the engine will automatically shut off.

NOTE: Cruise control CANNOT be engaged at the tractor's fastest ground speed.

L. LCD SERVICE MINDER AND HOUR METER (IF EQUIPPED)

The LCD service minder and hour meter (if equipped) will remind the operator of maintenance intervals for changing the engine oil, air filter service, low engine oil pressure and low battery warnings. When the key is rotated out of the STOP position but is not in the START position, the LCD service minder and hour meter (if equipped) will briefly display the battery voltage, followed by the tractor's accumulated hours.



NOTE: When the ignition key is out of the STOP position the hourglass symbol is illuminated/blinks to indicate it is recording the hours of tractor operation, regardless of whether the engine has been started.

Change Oil

The LCD screen will alternate the letters "CHG", followed by "OIL", followed by "SOON", followed by the meter's accumulated time. "CHG/OIL/SOON/TIME" will alternate on the display for 7 minutes after the meter reaches 50 hours. This oil service minder interval will occur every 50 hours. Before the interval expires, change the engine oil as instructed in the Engine Operator's Manual.

Low Oil

NOTE: The low oil pressure function only works if the engine is equipped with an oil pressure switch.

The LCD screen will alternate the letters "LO" followed by "OIL", followed by the meter's accumulated time, which indicates the engine has low oil pressure. This is common when starting an engine. The indicator will remain active until the engine sufficiently builds pressure after starting. If it remains on with the engine at full speed and after a few minutes of operation, stop the tractor immediately, check the engine oil level and add as instructed in the Engine Operator's Manual. If the oil level is correct and the indicator persists, contact an authorized service dealer.

Low Battery

At startup, the battery voltage will briefly display, then changes to accumulated hours. The letters "LO" followed by the letters "BATT" will display, followed by the meter's accumulated time. "LO/BATT/TIME" is displayed on the LCD when the voltage drops below 11.5 volts. When this occurs, the battery is in need of a charge or the engine's charging system is not generating sufficient amperage. Charge the battery as instructed in the Charging the Battery section of this manual or have the charging system checked by your local service dealer.

Air Filter Service

The LCD screen will display the letters "CLN" followed by the letters "AIR", followed by "FILT", followed by the meter's accumulated time. "CLN/AIR/FILT/TIME" will alternate on the display for 7 minutes after the meter reaches 25 hours. This air filter service minder time interval will be every 25 hours. On intervals that are common with oil service, the oil message will be displayed first followed by the air filter message.

M. FUEL TANK CAP

Turn the fuel cap at least two clicks counter-clockwise and pull upward to remove. The fuel cap is tethered to the fuel tank to prevent its loss. Do not attempt to remove the cap from the fuel tank. Fill tank to 1/2 inch (12.7 mm) below the bottom of the filler neck, allowing some space in the tank for fuel expansion. Do not overfill the tank. The fuel tank holds approximately 2.5 (9.46 L) (EFI engines only) or 3 gallons (11.35 L) of gasoline.

Push the cap downward on the fuel tank filler neck and turn at least two clicks clockwise to tighten. Always re-install the fuel cap tightly onto the fuel tank after removing.

OPERATION

WARNING

Never fill the fuel tank when the engine is running. If the engine is hot from recently running, allow to cool for at least five minutes before refueling. Highly flammable gasoline could splash onto the engine and cause a fire.

N. STORAGE TRAY

The storage tray is located to the left of the operator's seat.

O. CUP HOLDER

The cup holder is located to the left of the operator's seat.

P. DIFFERENTIAL LOCK PEDAL (IF EQUIPPED)

Activating the differential lock increases traction by maintaining equal wheel speed on the rear tires. See Using the Differential Lock (If equipped) section for more information on using the differential lock.

Q. SEAT ADJUSTMENT LEVER

The seat adjustment lever allows for adjustment forward or backward of the operator's seat. Refer to the Set-Up section for instructions on adjusting the seat position.

HEADLIGHTS (NOT SHOWN)

On turn-key tractors the lights are ON whenever the ignition key is rotated out of the STOP position. The lights turn OFF when the ignition key is moved to the STOP position.

On PBS tractors the lights are ON whenever the PBS module is on. Headlights can be activated for 15 seconds without being on the seat by pressing the ignition key once. To keep the headlights active you can sit in the seat or start/run the engine.

OPERATION

Before Operating Your Tractor

- Before operation, refer to the Maintenance Schedule chart located in this manual for regularly scheduled service items.
- This engine is certified to operate only on clean, fresh, unleaded gasoline. Fill only with clean, fresh, unleaded gasoline with a pump sticker octane rating of 87 or higher.
- Do not use gasoline left over from the previous season, to minimize gum deposits in the fuel system.
- Gasohol (up to 10% ethyl alcohol, 90% unleaded gasoline by volume) is an approved fuel. Other gasoline/alcohol blends are not approved.
- Methyl Tertiary Butyl Ether (MTBE) and unleaded gasoline blends (up to a maximum of 15% MTBE by volume) are approved fuels. Other gasoline/ether blends are not approved.

Safety Interlock System

WARNING

Do not operate the tractor if the safety interlock system is malfunctioning. This system was designed for your safety and protection.

This tractor is equipped with a safety interlock system for the protection of the operator. If the safety interlock system should ever malfunction, do not operate the tractor. Contact an authorized service dealer.

- The safety interlock system prevents the engine from cranking or starting unless the parking brake is engaged or the operator is in the seat and the brake pedal is fully depressed, with the PTO (blade engage) switch or PTO (blade engage) lever in the disengaged (OFF) position.
- The engine will automatically shut off if the operator leaves the seat before engaging the parking brake.
- The engine will automatically shut off if the operator leaves the tractor's seat with the PTO (blade engage) switch or PTO (blade engage) lever in the ENGAGED (ON) position, regardless of whether the parking brake is engaged.
- With the ignition key in the NORMAL MOWING MODE position, the electric PTO (blade engage) clutch will automatically shut off if the PTO (blade engage) switch or PTO (Blade engage) lever is moved into the engaged (ON) position with the drive pedal in position for reverse travel.

Checking The Safety Interlock Circuits

Periodically check the safety interlock circuits to ensure they are working properly. If a safety circuit is not working as designed, contact your authorized service dealer to have the tractor inspected. Do not operate the tractor if any safety circuit is not functioning properly. To check the safety circuits, proceed as follows:

1. With the engine off and sitting in the seat, place the PTO control (PTO (Blade engage) switch or PTO (Blade engage) lever) to the ENGAGED (ON) position. Momentarily turn the ignition switch to the START position; the engine should not crank.
2. With the tractor running, and the parking brake not engaged; lift upward from the operator's seat. The engine should stop.
3. With the parking brake engaged, engage the PTO. Lift upward from the operator's seat; the engine should stop.

Starting The Engine

CAUTION

The operator should be sitting in the tractor seat when starting the engine.

Continue for turn-key ignitions, skip ahead to the PBS Ignition section for push-button start ignitions.

TURN-KEY IGNITION WITH SEPARATE THROTTLE AND CHOKE CONTROL

1. Insert the ignition key into the ignition switch.
2. Place the PTO (blade engage) switch or PTO (blade engage) lever in the OFF position.
3. Engage the tractor's parking brake.
4. Engage the choke control (if equipped).

NOTE: If the engine is warmed up, it may not be necessary to choke the engine.

5. Move the throttle control lever to midway between the FAST and SLOW positions.

NOTE: When operating the tractor be certain that the throttle lever is always in the FAST position.

6. Turn the ignition key clockwise to the START position. After the engine starts, release the key. It will return to the NORMAL MOWING MODE position.

CAUTION

Do not hold the key in the START position for longer than ten seconds at a time. Doing so may cause damage to your engine's electric starter.

7. As the engine warms up, disengage the choke control. Do not use the choke control to enrich the fuel mixture, except as necessary to start the engine.

8. Allow the engine to run for a few minutes at mid-throttle before putting the engine under load.

NOTE: When operating the tractor be certain that the throttle control lever is always in the FAST position.

9. Observe the LCD service minder and hour meter (if equipped) panel. If the battery indicator light or oil pressure light comes on, immediately stop the engine. Have the tractor inspected by your authorized service dealer.

NOTE: There will be no oil pressure when the engine is not running and this may be indicated by oil pressure light.

TURN-KEY IGNITION WITH THROTTLE/CHOKE CONTROL

1. Insert the ignition key into the ignition switch.
2. Place the PTO (blade engage) switch or PTO (blade engage) lever in the OFF position.
3. Engage the tractor's parking brake.
4. Push the throttle control lever upward, past the detent, to engage the choke.

NOTE: If the engine is warmed up, it may not be necessary to choke the engine.

5. Turn the ignition key clockwise to the START position. After the engine starts, release the key. It will return to the NORMAL MOWING MODE position.

CAUTION

Do not hold the key in the START position for longer than ten seconds at a time. Doing so may cause damage to your engine's electric starter.

6. As the engine warms up, gradually pull the throttle/choke control lever rearward past the choke detent position. Do not use the choke position to enrich the fuel mixture, except as necessary to start the engine.

7. Allow the engine to run for a few minutes at mid-throttle before putting the engine under load.

NOTE: When operating the tractor be certain that the throttle lever is always in the FAST position.

8. Observe the LCD service minder and hour meter (if equipped). If the battery indicator light or oil pressure light comes on, immediately stop the engine. Have the tractor inspected by your authorized service dealer.

NOTE: There will be no oil pressure when the engine is not running and this may be indicated by oil pressure light.

TURN-KEY IGNITION WITH ELECTRONIC GOVERNOR CONTROL

1. Insert the ignition key into the ignition switch.
2. Place the PTO (blade engage) switch or PTO (blade engage) lever in the OFF position.
3. Engage the tractor parking brake.
4. Set the electronic governor control dial to the desired engine speed setting.

NOTE: If the tractor is equipped with an electronic governor control, the tractor can be started at any speed setting along the dial and will automatically adjust to the desired engine speed setting.

5. Turn the ignition key clockwise to the START position. After the engine starts, release the key. It will return to the NORMAL MOWING MODE position.

NOTE: It may take a few seconds after starting for the engine to adjust to the proper engine speed. This is normal.

PBS IGNITION

1. Place the PTO (blade engage) switch or PTO (blade engage) lever in the OFF position and sit in the seat. You must be in the seat for the PBS ignition to work.
2. Insert the ignition key.
3. Engage tractor parking brake.
4. Move the throttle into the FAST position.
5. Press and hold the ignition key. After the engine starts, release the key. It will return to an extended position.

NOTE: When operating the tractor be certain that the throttle control lever is always in the FAST position. Operating with the throttle at less than full throttle may lead to shortened battery life.

OPERATION

Cold Weather Starting

When starting the engine at temperatures near or below freezing, ensure the correct viscosity motor oil is used in the engine and the battery is fully charged. Start the engine as follows:

1. Be sure the battery is in good condition. A warm battery has much more starting capacity than a cold battery.
2. Use fresh winter grade fuel. Winter grade gasoline has higher volatility to improve starting. Do not use gasoline left over from summer.
3. Follow the previous instruction for Starting the Engine.

Using Jumper Cables To Start Engine

WARNING

Batteries contain sulfuric acid and produce explosive gases. Make certain the area is well ventilated, wear gloves and eye protection, and avoid sparks or flames near the battery.

If the battery charge is not sufficient to crank the engine, recharge the battery. If a battery charger is unavailable and the tractor must be started, the aid of a booster battery will be necessary. Connect the booster battery as follows:

1. Connect the end of one cable to the disabled tractor battery's positive terminal; then connect the other end of that cable to the booster battery's positive terminal.
2. Connect one end of the other cable to the booster battery's negative terminal; then connect the other end of that cable to the frame of the disabled tractor, as far from the battery as possible.
3. Start the disabled tractor following the normal starting instructions previously provided; then disconnect the jumper cables in the exact reverse order of their connection.
4. Have the tractor's electrical system checked and repaired as soon as possible to eliminate the need for jump starting.

Stopping The Engine

1. If the blades are engaged, place the PTO (blade engage) switch or PTO (blade engage) lever in the OFF position.
2. Engage the tractor parking brake.
3. Place the throttle control to midway between the FAST and SLOW positions.
4. Turn the ignition key counter-clockwise to the STOP position, or on PBS units press or remove the ignition key.

DRIVING THE TRACTOR

WARNING

Keep all movement of the Forward and Reverse drive pedals and brake pedal slow and smooth. Abrupt movement of the drive pedals or brake pedal can affect the stability of the tractor and could cause the tractor to flip over, which may result in serious injury or death to the operator.

1. Depress the brake pedal to release the parking brake. Move the throttle into the FAST position.
2. To travel FORWARD, slowly depress the forward drive pedal (a) forward until the desired speed is achieved (Figure 25).
3. To travel in REVERSE, check that the area behind is clear then slowly depress the reverse drive pedal (b) until the desired speed is achieved (Figure 25).

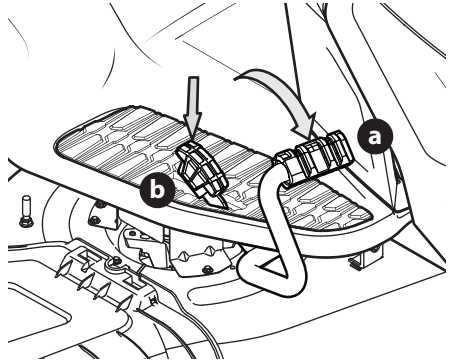


Figure 25

WARNING

- Sharp turns can affect control of the tractor. ALWAYS slow the tractor before making sharp turns.
- Do not leave the seat of the tractor without first placing the PTO (blade engage) switch or lever in the DISENGAGED (OFF) position and engaging the parking brake. If leaving the tractor unattended, also turn the engine off and remove the ignition key.

ENGAGING THE PARKING BRAKE

NOTE: The parking brake must be set if the operator leaves the seat with the engine running or the engine will automatically shut off.

To set the parking brake:

1. Depress the brake pedal completely down with your left foot and hold it in that position.
2. Depress the park brake/cruise control lever and hold it in that position.
3. Remove your foot from the brake pedal.

OPERATION

4. Release pressure from the park brake/cruise control lever.

After completing Step 4, the brake pedal should remain in the down position. If it does not, the parking brake is not engaged. Repeat Steps 1-4 to engage the parking brake.

To disengage the parking brake, depress the brake pedal.

SETTING THE CRUISE CONTROL

⚠ WARNING

Do not attempt to engage the cruise control lever while traveling in reverse. The cruise control will not engage while traveling in reverse.

To set the cruise control:

1. Depress the forward drive pedal with your right foot until the desired speed is achieved.
2. Press down on the park brake/cruise control lever and hold it in that position.
3. Remove your foot from the forward drive pedal.
4. Release pressure from the park brake/cruise control lever.

The forward drive pedal should remain in the down position and the tractor will maintain the same forward drive speed. If it does not, the cruise control is not engaged. Repeat Steps 1-4 to engage the cruise control.

To disengage the cruise control, lightly depress the forward drive pedal or the brake pedal.


REVERSE CAUTION MODE

Reverse Caution Mode (Turn-Key Ignition)

The REVERSE CAUTION MODE position of the ignition switch allows the tractor to be operated in reverse with the PTO (blade engage) lever in the engaged (ON) position.

NOTE: Mowing in reverse is not recommended.

⚠ WARNING

Use extreme caution while operating the tractor in the REVERSE CAUTION MODE . Always look down and behind before and while backing. Do not operate the tractor when children or others are around. Stop the tractor immediately if someone enters the area.

To use the REVERSE CAUTION MODE:

NOTE: The operator MUST be seated in the tractor seat.

1. Start the engine as previously instructed.
2. Turn the ignition key from the NORMAL MOWING MODE (a) position to the REVERSE CAUTION MODE (b) position of the ignition switch (Figure 26).

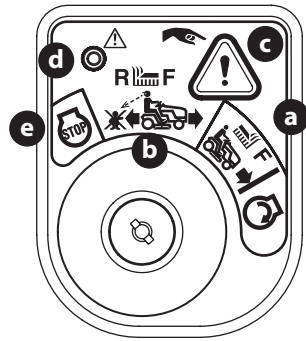


Figure 26

3. Press and hold the REVERSE CAUTION MODE BUTTON (c) at the top, right corner of the ignition module for 3 seconds. The red indicator light (d) at the top, left corner of the ignition module will be ON while activated (Figure 26).
4. Once activated (indicator light ON), the tractor can be driven in reverse with the PTO (blade engage) lever in the engaged (ON) position.
5. Always look down and behind before and while backing up slowly to make sure no children are around. After resuming forward motion, return key to the NORMAL MOWING MODE (a) position to return to normal mowing operation (Figure 26).

The REVERSE CAUTION MODE (b) will remain activated until:


- The key is placed in either the NORMAL MOWING (a) position or STOP (e) position (Figure 26).
- The operator leaves the seat (electric PTO)
- The parking brake is set (manual PTO).

Reverse Caution Mode (PBS Ignition)

The REVERSE CAUTION MODE allows the tractor to be operated in reverse with the PTO (blade engage) lever in the engaged (ON) position.

NOTE: Mowing in reverse is not recommended.

⚠ WARNING

Use extreme caution while operating the tractor in the REVERSE CAUTION MODE . Always look down and behind before and while backing. Do not operate the tractor when children or others are around. Stop the tractor immediately if someone enters the area.

To use the REVERSE CAUTION MODE:

NOTE: The operator MUST be seated in the tractor seat.

1. Start the engine as instructed above.

OPERATION

2. Press the REVERSE CAUTION MODE button and hold for 3 seconds. The indicator light will flash for 3 seconds and will stay on when the REVERSE CAUTION MODE is activated (Figure 27).
3. The indicator light above the REVERSE CAUTION MODE button will be ON while activated (Figure 27).

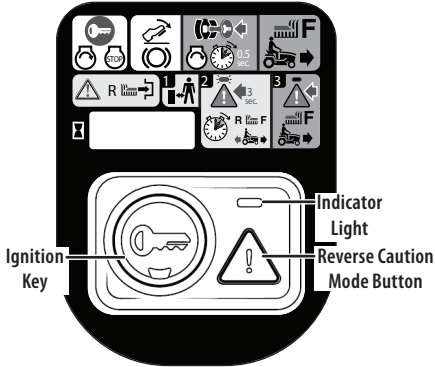


Figure 27

4. Once activated (indicator light ON), the tractor can be driven in reverse with the cutting PTO (blade engage) lever in the engaged (ON) position.
5. Always look down and behind before and while backing to make sure no children are around. After resuming forward motion, press the REVERSE CAUTION MODE button to return to NORMAL MOWING MODE.

The REVERSE CAUTION MODE will remain activated until:

- The REVERSE CAUTION MODE button is pressed again.
- The ignition key is pressed or removed.
- The operator leaves the seat.

ENGAGING THE PTO (BLADE ENGAGE)

Electric PTO Tractors

Engaging the PTO (blade engage) transfers power to the cutting deck or other (separately available) attachments. To engage the PTO:

1. Move the throttle to the FAST position.
2. Pull the PTO (blade engage) switch outward into the engaged (ON) position (H in Figure 24 on page 15).

NOTE: When operating the tractor be certain that the throttle is always in the FAST position. Operating with the throttle at less than full throttle may lead to premature battery wear and a poor quality cut.

3. To disengage the PTO (blade engage), push the PTO (blade engage) switch inward to the disengaged (OFF) position.

Manual PTO Tractors

Engaging the PTO (blade engage) transfers power to the cutting deck. To engage the PTO:

1. Move the throttle to the FAST position.
2. Push the PTO (blade engage) lever forward into the engaged (ON) position (Figure 28).

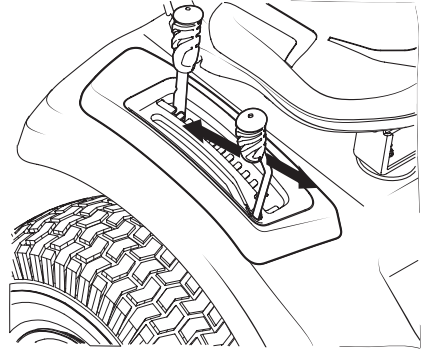


Figure 28

NOTE: When operating the tractor be certain that the throttle is always in the FAST position. Operating with the throttle at less than full throttle may lead to premature battery wear and a poor quality cut.

3. To disengage the PTO (blade engage), push the PTO (blade engage) lever forward and to the right, out of the locked position, then release the lever into the disengaged (OFF) position.

OPERATION

MOWING

WARNING

To help avoid blade contact or a thrown object injury, keep bystanders, helpers, children, and pets at least 75 feet (23 meters) from the machine while it is in operation. Stop machine if anyone enters the area.

WARNING

Make certain the area to be mowed is free of debris, sticks, stones, wire, or other objects that can be thrown by the rotating blades.

NOTE: Do not engage the mower deck when lowered in grass. Premature wear and possible failure of the “V” belt and PTO clutch will result. Fully raise the deck or move to a non-grassy area before engaging the mower deck.

- Mow up and down slopes, not across. If mowing a slope, start at bottom and work upward to ensure turns are made uphill.
- Do not mow at high ground speed, especially if a mulch kit or grass collector is installed.
- Do not cut the grass too short. Short grass is prone to weed growth and yellows quickly in dry weather.
- Always operate the tractor with the throttle in the FAST position while mowing.
- On the first pass, pick a point on the opposite side of the area to be mowed. Follow the point to maintain a straight line.
- Engage the PTO and move the throttle control or throttle/choke control to the FAST position.
- Lower the mower deck to the desired height setting.
- For best results it is recommended that the first two laps be cut with the discharge thrown towards the center. After the first two laps, reverse the direction to throw the discharge to the outside for the balance of cutting. This will give a better appearance to the lawn.

NOTE: The speed of the tractor will affect the quality of the tractor cut. Mowing at full speed will adversely affect the cut quality.

- Your tractor is designed to cut normal residential grass of a height no more than 10 inches (25 cm). Do not attempt to mow through unusually tall, dry grass (e.g., pasture) or piles of dry leaves. Dry grass or leaves may contact the engine exhaust and/or build up on the tractor.
- Do NOT attempt to mow heavy brush and weeds or extremely tall grass. Your tractor is designed to mow lawns, NOT clear brush.
- Keep the blades sharp and replace the blades when worn.
- When approaching the other end of the strip, slow down or stop before turning. A three point turn is recommended.

- Align the tractor with an edge of the mowed strip and overlap approximately 3 inches (7.6 cm).
- Direct the tractor on each subsequent strip to align with a previously cut strip.
- To prevent rutting or grooving of the turf, if possible, change the direction that the strips are mowed by approximately 45° for the next and each subsequent mowing.

When stopping the tractor for any reason while on a grass surface, always:

- Engage the parking brake.
- Shut engine off and remove the ignition key.
- Doing so will minimize the possibility of having your lawn “browned” by hot exhaust from your tractor’s running engine.

USING THE DIFFERENTIAL LOCK (IF EQUIPPED)

WARNING

- When the differential lock is on, be sure to allow for a larger turning radius and greater steering effort.
- Engage the differential lock only when the vehicle is stationary. Do not use the differential lock when traveling downhill.
- With or without the differential lock engaged, all safe operation practices described in this manual must be followed.

NOTE: The system should only be used when poor traction is encountered. It should be disengaged when traveling on solid surfaces.

In some instances, the tractor may be driven in slippery or low-traction situations and it may be necessary to activate the differential lock. To use the differential lock proceed as follows:

1. Stop the motion of the tractor.
2. Depress the differential lock pedal to engage the differential lock.

NOTE: The differential lock only works while the pedal is depressed.

NOTE: Engagement may be delayed. The differential lock will engage when different wheel speeds are detected.

NOTE: Disengagement may be delayed. The differential lock will disengage when the rear wheel speeds allow it to release.

3. To disengage the differential lock, release the pedal.

PRODUCT CARE

MAINTENANCE SCHEDULE

WARNING

Before performing any type of maintenance/service, disengage all controls and stop the engine. Wait until all moving parts have come to a complete stop. Allow the engine to cool. Disconnect spark plug wire(s) and negative battery cable to prevent unintended starting. Always wear safety glasses during operation or while performing any adjustments or repairs.

Follow the Maintenance Schedule given below. This chart describes service guidelines only.

Refer to the Engine Operator's Manual for engine maintenance items listed in the table below.

	Before Each Use	After First 5 Hours	Every 10 Hours	Every 25 Hours	Every 50 Hours	Every 100 Hours	Every 200 Hours	Prior to Storing	See Engine Operator's Manual
Check/Clean Engine Intake Screens & Cooling Fans #	✓							✓	
Check/Clean Exhaust Manifold, Muffler Pipe & Muffler Shields #	✓							✓	
Check/Clean Top & Underside of Deck, Under & Around Spindle Covers & Belt Area #	✓							✓	
Check/Clean Around Fuses, Wiring & Wiring Harnesses #	✓							✓	
Check/Clean Around Transmission, Axle & Fans #	✓							✓	
Check Air Filter for Dirty, Loose or Damaged Parts	✓								
Check Engine Oil Level	✓								
Clean Battery Terminals			✓					✓	
Grease All Lubrication Points			✓					✓	
Check Engine Intake Screen/Clean as Needed			✓					✓	
Check Blades/Sharpen or Replace as Needed			✓					✓	
Check Tire Pressure			✓					✓	
Check/Clean Underside of Deck	✓		✓						
Check Safety Interlock System			✓					✓	
Check Mower Blade Stop Time			✓					✓	
Inspect & Lube Deck Wheels				✓				✓	
Check Deck Level/Pitch				✓				✓	
Check Belts & Pulleys for Damage/Wear					✓				
Check That All Hardware is in Place & Secure						✓			
Check Engine Mounting Bolt Torque (Tighten to 325-450 in-lbs (36.7-50.8 N-m))		✓			✓			✓	✓

PRODUCT CARE

	Before Each Use	After First 5 Hours	Every 10 Hours	Every 25 Hours	Every 50 Hours	Every 100 Hours	Every 200 Hours	Prior to Storing	See Engine Operator's Manual
Check Blade Mount Nut Torque (Tighten to 70-90 ft-lbs (94.9-122 N-m))		✓				✓		✓	
Check Spark Plug Condition & Gap						✓		✓	✓
Engine Break-in Oil Change		✓							✓
Change Engine Oil					✓			✓	✓
Check Fuel System (Lines, Tank, Cap, Fittings)		✓			✓			✓	✓
Check Spark Arrestor		✓			✓			✓	✓
Replace Oil Filter					✓			✓	✓
Clean or Change Air Filter					✓				✓
Replace Fuel Filter					✓				✓
Have Valve Lash Checked & Adjusted *									✓

* -- Have this item performed by an authorized service dealer.

NOTE: This Operator's Manual covers several models. Tractor features may vary by model. Not all features in this manual are applicable to all tractor models and the tractor depicted may differ from yours.

POST-OPERATION TRACTOR CARE

After each operation of the tractor, the following procedures should be implemented to extend the life of your tractor and ensure safe operating conditions.

WARNING

Failure to follow these recommendations may result in serious injury to yourself or others and may cause damage to the tractor.

CLEANING THE UNDERSIDE OF THE DECK

Deck Wash System (If equipped)

Your tractor's deck may be equipped with a water port on its surface as part of its deck wash system.

Use the deck wash system to rinse grass clippings from the deck's underside and prevent the buildup of corrosive chemicals. Complete the following steps **AFTER EACH MOWING**:

1. Attach the nozzle adapter to a standard garden hose connected to a water supply.
2. Move the tractor to an area within reach of the hose where the dispersal of wet grass clippings is acceptable. Disengage the PTO, engage the parking brake and stop the engine.

-- Perform more often in dry conditions and when mulching.

3. Pull back the lock collar (a) of the nozzle adapter (b) and push the nozzle adapter onto the deck wash nozzle (c). Release the lock collar to lock the nozzle adapter on the deck wash nozzle (Figure 29).

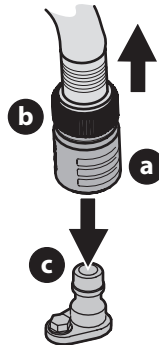


Figure 29

4. Turn on the water supply.
5. From the tractor operator's seat, start the engine and engage the PTO. Allow to run as needed. Disengage the PTO and stop the engine.
6. Turn off the water supply.
7. Pull back the lock collar of the nozzle adapter to disconnect the nozzle adapter from the deck wash nozzle.

CLEANING THE TRACTOR

⚠ WARNING

If the tractor has been recently run, the engine, muffler, and surrounding metal surfaces will be very hot and can cause burns to the skin. Let the engine cool for at least five minutes. Exercise caution to avoid burns.

Your tractor should be cleaned after each use and under certain conditions, i.e. dry conditions and/or mulching situations, additional cleaning may be necessary.

One of the best ways to keep your tractor running efficiently and to reduce fire risk is to regularly remove debris buildup from the tractor. Follow the recommendations below and contact your authorized dealer with any questions.

- Allow the tractor to cool at least five minutes in an open area before cleaning.

NOTE: Using a pressure washer or garden hose is not recommended for cleaning your tractor other than to clean the underside of the deck. It may cause damage to electrical components, spindles, pulleys, bearings or the engine. The use of water will result in shortened life and reduce serviceability.

- Clean under the hood, including exhaust manifold, around fuses, all wiring and harnesses, muffler pipe, muffler shield, engine intake screens and cooling fins, etc (Figure 30).

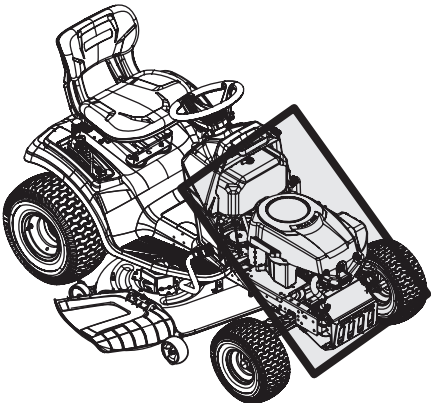


Figure 30

- Clean the top of the tractor deck, under the spindle covers and belt area (Figure 31).

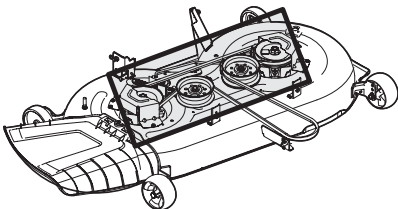


Figure 31

- Clean around and near the transmission, axle and the fan area (Figure 32).

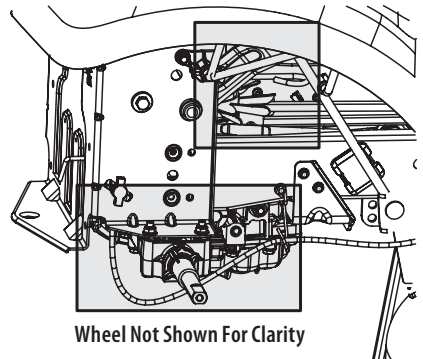


Figure 32

- Debris can accumulate anywhere on the tractor, especially on horizontal surfaces. Additional cleaning may be necessary when mowing in dry conditions or when mulching.
- Fuel leaks/spills, oil leaks/spills and excess lubrication can also become collection sites for debris. Immediate repair and cleaning up oil or fuel spills can help reduce fire hazards.
- In addition to cleaning the tractor before operating and storing, do not attempt to mow unusually tall grass, 10 inches (25 cm) or higher, dry grass (e.g., pasture) or piles of dry leaves. Dry grass or leaves may contact the engine exhaust and/or build up on the tractor deck presenting a potential fire hazard.

STORING THE TRACTOR

- Allow the tractor to cool at least five minutes in an open area before storing.
- Do not park the tractor near any flammable materials (wood, cloth or chemicals) or any open flames or other potential source of ignition (furnace, water heater or any other type of heater).
- Remove all combustible materials from the tractor before storing. Empty cargo boxes, grass catchers or containers.
- Always shut off fuel flow when storing or transporting if tractor is equipped with a fuel shutoff.
- Check the fuel system (lines, tank, cap and fittings) frequently for cracks or leaks. Repair and clean as necessary.

NOTE: If the tractor is temporarily left outside, tip the seat forward and cover it with a suitable plastic bag to prevent rain damage.

MAINTENANCE

Engine

⚠ WARNING

Allow machine to cool in an open area for at least five minutes before storing or refueling.

Refer to the Engine Operator's Manual for all engine issues and questions.

NOTE: Maintenance, repair or replacement of the emission control devices and systems which are being done at owner's expense may be performed by any engine repair establishment or individual. Warranty repairs must be performed by an authorized dealer.

Changing the Engine Oil

⚠ WARNING

If the tractor has been recently run, the engine, muffler, and surrounding metal surfaces will be very hot and can cause burns to the skin. Let the engine cool for at least five minutes. Exercise caution to avoid burns.

NOTE: The oil filter should be changed at every oil change interval.

To complete an oil change, proceed as follows:

1. Run the engine for a short time to warm the engine oil. The oil will flow more freely and carry away more impurities. Use care to avoid burns from hot oil.
2. Open the tractor's hood and locate the oil drain port on the side of the engine.
3. Place an appropriate oil collection container with at least a 2.5 quart (2.36 L) capacity below the opening of the oil drain tube, to collect the used oil. Remove the oil fill cap/dipstick from the oil fill tube.
4. Open the protective cap on the end of the oil drain valve to expose the drain port (Figure 33).

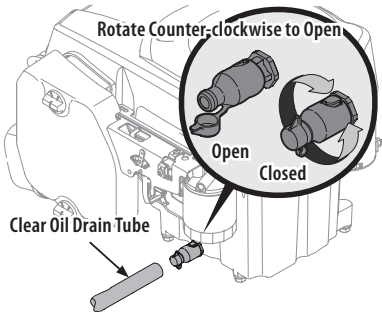


Figure 33

5. Push the oil drain tube (packed with this manual) onto the oil drain port. Route the opposite end of the tube into an appropriate oil collection container with at least a 2.5 quart (2.36 L) capacity to collect the used oil.
6. The engine is equipped with a twist-and-pull drain port. Turn the oil drain valve 1/4-turn counter-clockwise, then pull outward to begin draining oil. After the oil has finished draining, push the end of the oil drain valve back in and turn 1/4-turn clockwise to close the oil drain. Re-cap the end of the oil drain valve to keep debris from entering the drain port.
7. Replace the oil filter, and refill the engine with new oil as instructed in the Engine Operator's Manual.
8. Reinstall the oil fill cap/dipstick.

NOTE: Place an absorbent towel beneath the oil filter to keep oil off the engine pulley.

NOTE: Observe proper disposal laws and regulations for gas, oil, etc. to protect the environment.

NOTE: Maintenance, repair or replacement of the emission control devices and systems which are being done at the owner's expense may be performed by any engine repair establishment or individual. Warranty repairs must be performed by an authorized dealer.

LUBRICATION

⚠ WARNING

Before lubricating, repairing, or inspecting, always disengage PTO, set parking brake, stop engine, and remove key to prevent unintended starting.

Using a quality lubricating oil, lubricate all lubrication points. Refer to Maintenance Schedule chart located in this manual for proper service intervals.

Lubricating Front Wheels

Each of the front wheel axles is equipped with a grease fitting (Figure 34). Some models have rims equipped with grease fittings (excludes Turf Master and Multi-Trac wheels) (Figure 35 on page 28). Lubricate with a No. 2 multi-purpose grease applied with a grease gun per the Maintenance Schedule.

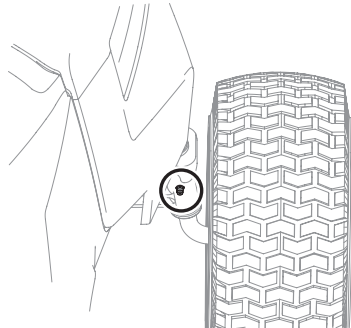


Figure 34

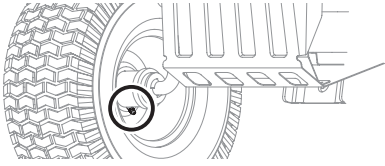


Figure 35

Lubricating Pivot Points and Linkage

Lubricate all the pivot points on the drive system, parking brake and lift linkage per the Maintenance Schedule.

NOTE: It is not necessary to grease the steering pinion/sector gear interface. Doing so will allow dirt to accumulate and can affect steering performance.

HYDROSTATIC TRANSMISSION

The hydrostatic transmission is sealed at the factory and is maintenance-free. The fluid level cannot be checked and the fluid cannot be changed.

SPARK ARRESTOR MAINTENANCE (IF EQUIPPED)

Spark arrestor assemblies must be inspected and cleaned periodically (see the Maintenance Schedule chart in this manual). Visually inspect the screen for tears, broken wires or loose welds. Replace the spark arrestor assembly if any of these conditions exist. If the screen is in good condition, clean the screen by brushing away loose dirt or carbon particles.

TIRES

Keep the tires inflated to the recommended pressures. Improper inflation will shorten the tire service life. See the tire side wall for proper inflation pressures. Refer to the Maintenance Schedule chart located in this manual for proper service intervals.

Observe the following guidelines:

- Do not inflate a tire above the maximum pressure shown on the sidewall of the tire.
- Do not reinflate a tire that has been run flat or seriously under-inflated. Have it inspected and serviced by a qualified tire mechanic.

OFF-SEASON STORAGE

If your tractor is not going to be operated for an extended period of time (30 days to approximately six months), the tractor should be prepared for storage. Store the tractor in a dry and protected location. If stored outside, cover the tractor (including the tires) to protect it from the elements. The procedures outlined below should be performed whenever the tractor is placed in storage.

1. Change the engine oil and filter following the instructions provided in this manual as well as the Engine Operator's Manual provided with this tractor.

⚠ WARNING

Never store the tractor with fuel in the tank indoors or in poorly ventilated enclosures, where fuel fumes may reach an open flame, spark, or pilot light as on a furnace, water heater, clothes dryer, etc.

2. If storing the tractor for 30 days or more:
 - a. To prevent gum deposits from forming inside the engine's carburetor and causing possible malfunction of the engine, the fuel system must be either completely emptied, or the gasoline must be treated with a stabilizer to prevent deterioration.
 - b. Using a fuel stabilizer for storage between 30 and 90 days:
 - Read the product manufacturer's instructions and recommendations.
 - Add to clean, fresh gasoline the correct amount of stabilizer for the capacity (approximately 2.5 (EFI engines only) or 3 gallons) of the fuel system.
 - Fill the fuel tank with treated fuel and run the engine for 2-3 minutes to get stabilized fuel into the carburetor.
 - Fuel left in the fuel tank deteriorates and will cause serious starting problems.
 - c. Emptying the fuel system for storage of more than 90 days:
 - Prior to putting the tractor in storage, monitor fuel consumption with the goal of running the fuel tank empty.
 - Run the engine until it begins to stall. Use the choke to keep the engine running until all fuel in the carburetor has been exhausted.
 - Referring to the Engine Operator's Manual, drain the fuel from the carburetor bowl.
3. Clean the engine and the entire tractor thoroughly.

NOTE: Using a pressure washer or garden hose is not recommended for cleaning your tractor other than to clean the underside of the deck. It may cause damage to electrical components, spindles, pulleys, bearings or the engine. The use of water will result in shortened life and reduce serviceability.
4. Fully charge the battery, then disconnect the negative cable at the battery to prevent possible discharge. Recharge the battery periodically when in storage.

NOTE: Remove the battery if exposed to prolonged periods of sub-freezing temperatures. Store in a cool, dry location where temperatures are above freezing.
5. Lubricate all lubrication points.

REMOVING THE TRACTOR FROM STORAGE

1. Check the engine oil.
2. Fully charge the battery and inflate the tires to the recommended pressure. See tire side wall for proper tire inflation pressure.
3. Fill the fuel tank with clean, fresh gasoline.
4. Start the engine and allow to idle for a few minutes to ensure engine is operating properly.
5. Drive the tractor without a load to make certain all the tractor systems are functioning properly.

ADJUSTMENTS

Deck Leveling

If the cutting deck appears to be mowing unevenly, leveling adjustments can be performed.

⚠ WARNING

If the tractor has been recently run, the engine, muffler, and surrounding metal surfaces will be very hot and can cause burns to the skin. Let the engine cool for at least five minutes. Exercise caution to avoid burns.

NOTE: Check the tractor's tire pressure before performing any deck leveling adjustments. Refer to Tires in this section for information regarding tire pressure.

Leveling the Deck (Side-to-Side)

1. With the tractor parked on a firm, level surface, place the deck lift lever in the middle position and rotate both blades so that they are perpendicular with the tractor.
2. Measure the distance from the outside of the left blade tip to the ground and the distance from the outside of the right blade tip to the ground. Both measurements taken should be equal. If they are not, proceed to the next step.
3. Under the rear fenders inside the wheels there is a lift adjustment rod for each side of the deck (Figure 36).

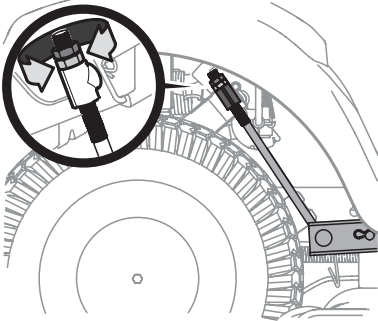


Figure 36

4. Minor side-to-side adjustments should be made using primarily the left adjustment rod.
5. To raise the left side of the deck, loosen the upper nut on the end of the lift rod, then turn the lower nut clockwise. When the proper adjustment is achieved, tighten the upper nut to secure in place. To lower the left side of the deck, loosen the upper nut on the end of the lift rod, then turn the lower nut counter-clockwise. When the proper adjustment is achieved, tighten the upper nut to 25-30 ft-lbs (33.9-40.7 N-m) to secure in place.
6. The deck is properly leveled when both blade tip measurements taken earlier are equal.

Leveling the Deck (Pitch/Front-To-Rear)

The front of the deck is supported by a stabilizer bar that can be adjusted to level the deck from front to rear. The front of the deck should be 1/4-3/8 inch (6.35 mm-9.5 mm) lower than the rear of the deck. Adjust if necessary as follows:

1. Park the tractor on a firm, level surface, place the deck lift lever in the middle position and rotate the blade nearest the discharge chute so that it is parallel with the tractor.
2. Measure the distance from the front of the blade tip to the ground and the rear of the blade tip to the ground. The front of the deck should be between 1/4-3/8 inch (6.35 mm-9.5 mm) less than the rear of deck.
3. Determine the approximate distance necessary for proper adjustment and proceed, if necessary.
4. To **raise** the front of the deck, loosen the outer nut then tighten (thread inward) the inner nut against the front hanger bracket (Figure 37). When proper adjustment is achieved, re-tighten the outer nut to 25-30 ft-lbs (34 mm-40.7 N-m).

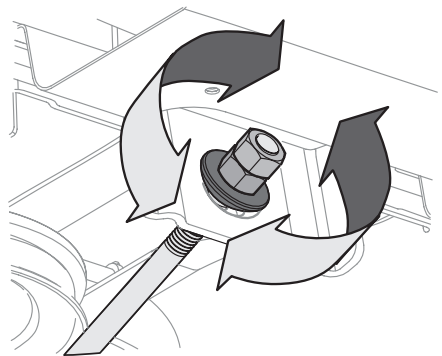


Figure 37

5. To **lower** the front of the deck, loosen the outer nut then loosen (thread outward) the inner nut, away from the front hanger bracket (Figure 37). When proper adjustment is achieved, re-tighten the outer nut.

ADJUSTING THE DECK WHEELS

WARNING

Keep hands and feet away from the discharge opening of the cutting deck.

NOTE: The deck wheels are an anti-scalp feature of the deck and are not designed to support the weight of the deck.

The deck wheels should be approximately 1/4-1/2 inch (6.35 mm-12.7 mm) above the ground when the deck is set in the desired height setting. To adjust the deck wheels see the Set-Up section for instructions.

SERVICE

Electrical System

A fuse is installed to protect the tractor's electrical system from damage caused by excessive amperage. Always use the same capacity fuse for replacement. If the electrical system does not function, check for a blown fuse.

If you have a recurring problem with blown fuses, have the tractor's electrical system checked by your authorized service dealer.

Relays and Switches

There are several safety switches in the electrical system. If a function of the safety interlock system described earlier is not functioning properly, have the electrical system checked by your authorized service dealer.

Park Brake Adjustment

If the tractor does not come to a complete stop when the brake pedal is completely depressed, or if the tractor's rear wheels can roll with the parking brake applied (and the hydrostatic relief valve open), the brake is in need of adjustment. See your authorized service dealer to have the brake adjusted.

Hydrostatic Neutral Adjustment

If the tractor creeps forward or rearward when neither the forward nor reverse pedal is depressed, contact your local authorized dealer to have the neutral setting properly adjusted.

Wheel Alignment

If your tractor pulls to one side or is out of alignment, a wheel alignment might be necessary. Contact an authorized service dealer to have the wheels properly aligned.

DECK REMOVAL

WARNING

Use caution to avoid pinching your fingers when rolling the belt off the PTO pulley.

To remove the deck, proceed as follows:

1. Move the tractor to a level surface, disengage the PTO, stop the engine, ENGAGE the parking brake.

2. Lower the deck by moving the deck lift lever into the bottom notch on the right fender.
3. For tractors with a manual PTO continue with Step 4, for electric PTO models skip ahead to Step 8.
4. Loosen, but do not remove, the flange lock nut on the right idler pulley and the hex screw on the left idler pulley.
5. Remove the hex screw securing the engine pulley keeper rod to the frame (Figure 38).

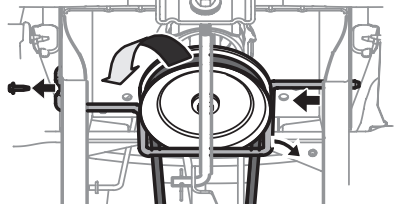


Figure 38

6. Slide the rod to the right to remove it.

NOTE: Be careful not to damage the wire harness when removing the rod.

7. Remove the bow tie clip that secures the PTO cable to the bracket on the deck, slide the PTO cable out of the bracket and unhook the spring from the idler bracket (Figure 39).

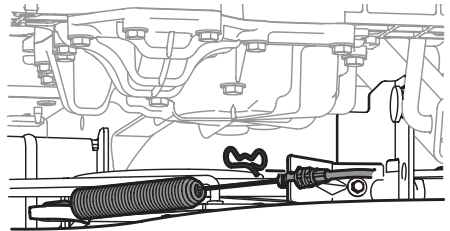


Figure 39

8. Working on the right side of the tractor, insert a 3/8 inch drive ratchet wrench, set to **tighten**, into the square hole found on the idler bracket (Figure 40).
9. Pivot the wrench forward to move the deck drive pulley forward (Figure 40).

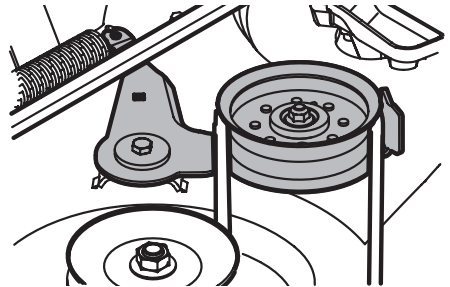


Figure 40

10. Carefully remove the belt from around the PTO pulley.
11. Looking at the deck from the left side of the tractor, locate the bow-tie pin on the rear left side of the deck (Figure 41).
12. Remove the pin and slide the deck pin out of the deck lift arm (Figure 41).

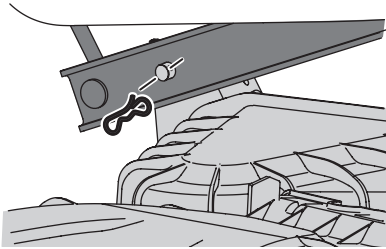


Figure 41

13. Repeat Steps 11-12 on the tractor's right side.
14. Pull the bow-tie pin out of the front deck lift rod securing it to the deck (Figure 42). Slide the deck lift rod out of the front hanger bracket.

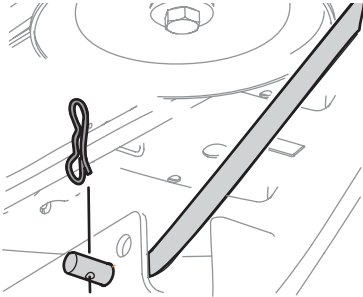


Figure 42

15. Move the deck lift lever into the top notch to raise the deck lift up and out of the way.
16. Gently slide the deck out from underneath the tractor.

REMOVING THE BLADES

⚠ WARNING

Shut the engine off and remove ignition key before removing the cutting blade(s) for sharpening or replacement. Protect your hands by using heavy gloves when grasping the blade.

Periodically inspect the blade and/or spindle for cracks or damage, especially after striking a foreign object. Do not operate the tractor until damaged components are replaced.

If the cutting edge of the blade has previously been sharpened, or if any metal separation is present, replace the blades with new ones.

FastAttach™ Blade System (If equipped)

1. Set the tractor deck height to its highest position.
2. Carefully feel for the finger grooves on the blade collar at the sides of the blade.
3. Push upward on the blade collar and hold it (Figure 43).

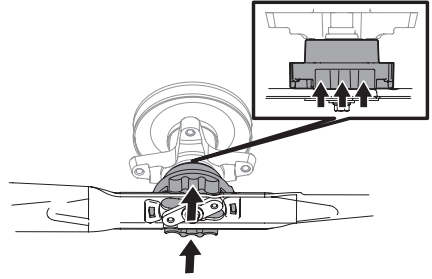


Figure 43

4. While holding the collar in the upward position, rotate the blade counter-clockwise to free it from the collar (Figure 44).

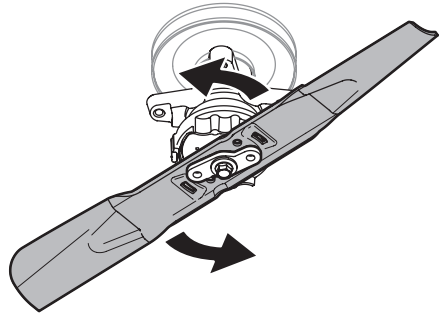


Figure 44

5. When the hole in the center of the blade aligns with the tractor blade retainer, carefully lower the blade (Figure 45).

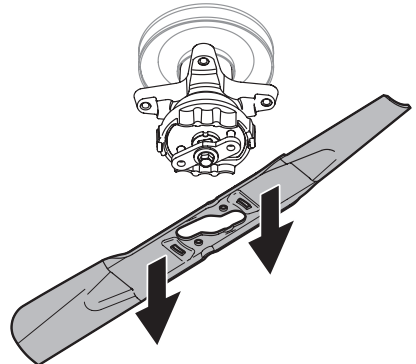


Figure 45

Standard Blade System (If equipped)

1. Remove the deck from beneath the tractor, (refer to Deck Removal earlier in this section) then gently flip the deck over to expose its underside.
2. Place a block of wood between the deck housing baffle and the cutting blade to act as a stabilizer (Figure 46).

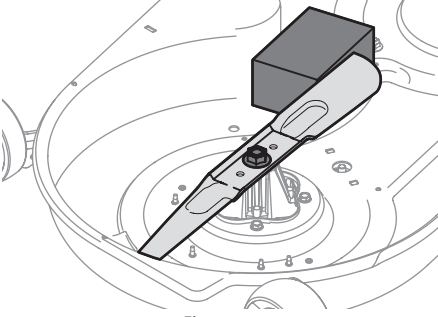


Figure 46

3. Remove the hex flange nut that secures the blade to the spindle assembly.

Standard Blade System with S-Blades (If equipped)

1. Remove the deck from beneath the tractor, (refer to Deck Removal) then gently flip the deck over to expose its underside.
2. Use a 15/16 inch wrench to hold the hex nut on top of the spindle assembly when loosening the hex nut (a) and washer (d)* securing the blade (b). A block of wood (c) may be placed between the deck housing and the cutting edge of the blade (b) to help in breaking loose the hex nut (a) and washer (d)* securing the blade (Figure 47).

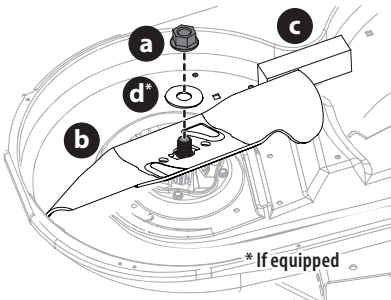


Figure 47

* If equipped

INSTALLING THE BLADE

FastAttach™ Blade System (If equipped)

1. Set the tractor deck height to its highest position.
2. Properly orient the blade. The bottom of the blade is labelled "Grass Side".

3. Position the blade under the spindle assembly and carefully align the large opening in the center of the blade over the tractor blade retainer (Figure 48).

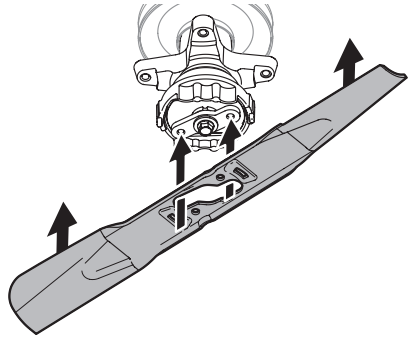


Figure 48

4. Push the blade upward against the blade adapter until the collar above rises (Figure 43 on page 31).
5. Rotate the blade clockwise to align with the blade adapter (Figure 49).

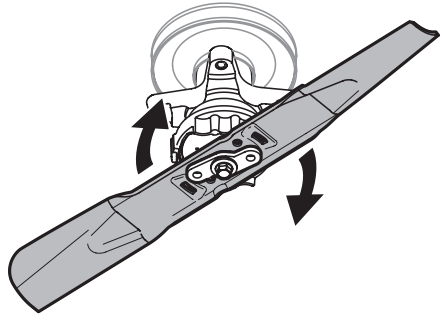


Figure 49

NOTE: If too much resistance is felt while turning the blade then the spindle is rotating, the blade is not properly aligned on the blade adapter, and installation will not be successful.

6. There will be an audible click when the blade is properly locked in place (Figure 50).

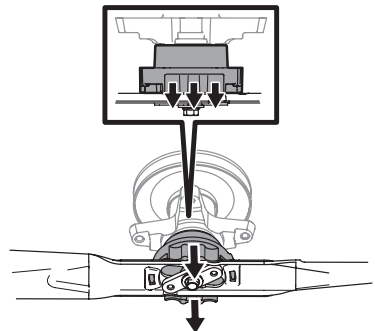


Figure 50

Standard Blade System (If equipped)

1. With the deck removed gently flip the deck over to expose its underside.
2. Line up the hole in the center of the blade with the star-shaped retainer at the bottom of the spindle assembly and slide the blade into place.
3. Place a block of wood between the deck housing baffle and the cutting blade to act as a stabilizer (Figure 46 on page 32).
4. Thread on the hex flange nut to secure the blade to the spindle assembly.
5. Use a torque wrench to tighten the blade spindle hex flange nut to 70-90 ft-lbs (95-122 N-m).
6. Re-install the deck (refer to Changing the Deck Belt and Reinstalling the Deck in this section).

NOTE: When replacing or reinstalling the blade, be sure to install the blade with the side of the blade marked "Bottom" (or with a part number stamped in it) facing the ground.

Standard Blade System with S-Blades (If equipped)

1. With the deck removed gently flip the deck over to expose its underside.
2. When re-installing blades, be sure of the following (Figure 47 on page 32):
 - a. Blades (b) are installed so that wings are pointing upward toward the top of the deck.
 - b. Washer (d)* is placed between bottom of blade (b) and hex nut (a).

IMPORTANT! Align "S" shaped cutout with matching "S" shape on spindle for secure fit.

3. Tighten hex nuts (a) to 70-90 ft-lbs (95-122 N-m) (Figure 47 on page 32).
4. Re-install the deck (refer to Changing the Deck Belt and Reinstalling the Deck in this section).

SHARPENING THE BLADE

1. To properly sharpen the cutting blades, remove equal amounts of metal from both ends of the blades along the cutting edges, parallel to the trailing edge, at a 25° to 30° angle. Always grind each cutting blade edge equally to maintain proper blade balance (Figure 51).

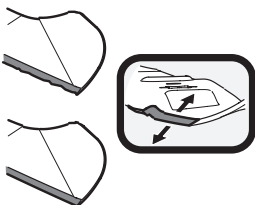


Figure 51

2. Test the blade's balance using a blade balancer. Grind metal from the heavy side until it balances evenly.

⚠ WARNING

A poorly balanced blade will cause excessive vibration, may damage the tractor, and/or result in personal injury.

CHANGING THE DECK BELT AND REINSTALLING THE DECK

⚠ CAUTION

The V-belts found on your tractor are specially designed to engage and disengage safely. A substitute (non-OEM) V-belt can be dangerous by not disengaging completely. For a properly working tractor, use factory approved belts.

All belts on your tractor are subject to wear and should be replaced if any signs of wear are present. To change or replace the deck belt on your tractor, proceed as follows:

1. Remove the deck as instructed earlier in this section under Deck Removal.
2. Loosen, but do not remove, the hardware on the right and left idler pulley.

NOTE: On some decks it may be necessary to remove the spindle covers to remove and/or install the new belt. To remove the spindle covers, remove the screws securing them to the deck.

3. Carefully remove the belt from around the idler pulleys and the spindle pulleys.
4. Route the new belt as shown in the applicable figure below. See Figure 52 (42 inch decks) and page 34 for Figure 53 (46 inch decks) and Figure 54 (50 and 54 inch decks).

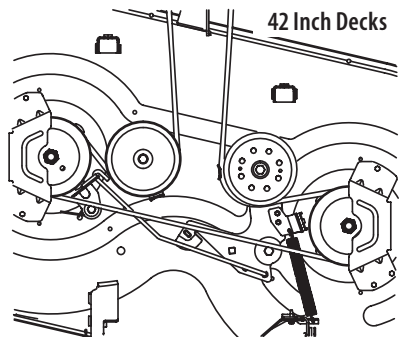


Figure 52

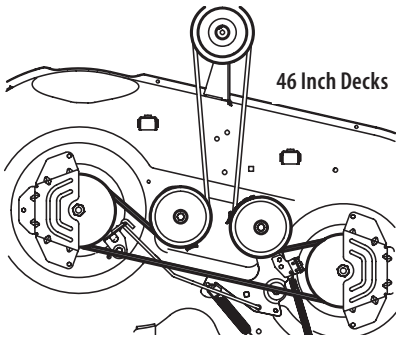


Figure 53

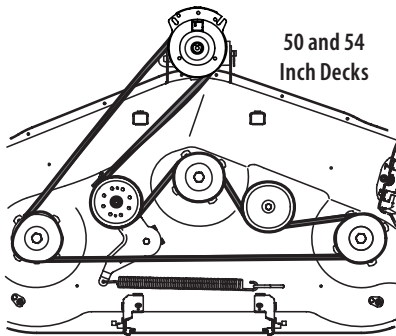


Figure 54

NOTE: Use a 3/8 inch drive ratchet wrench as instructed in earlier steps when routing the new belt to pivot the drive pulley.

5. Ensure that the belt is routed properly along the idler pulleys and inside the belt keepers and retighten idler pulleys, if loosened earlier. Torque to 256-313 in.-lbs (29-35 N-m).
6. Remount the spindle covers if removed earlier.
7. Re-install the deck making sure the belt remains routed around the pulleys as instructed.
8. On manual PTO units, re-install the engine pulley keeper rod and the PTO cable.
9. Pull the right side of the belt and place the narrow "V" side of the belt into the PTO pulley (Figure 55).

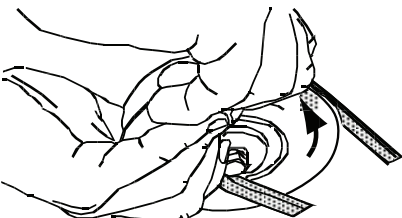


Figure 55

10. While holding the belt and pulley together, rotate the pulley to the left. Continue holding and rotating the pulley and belt until the belt is fully rolled into the PTO pulley.

REMOVING THE FRONT BUMPER (IF EQUIPPED)

⚠ WARNING

Disengage the PTO, engage the brake lock, and stop the tractor engine before performing any maintenance procedures. Place the tractor on a firm and level surface before beginning installation or removal procedures.

The exhaust system and surrounding areas are HOT. To avoid personal injury, allow the tractor to cool before beginning any installation or removal procedures.

1. Remove the four hex screws (a) securing the front bumper in place (Figure 56).
2. The front bumper (b) may now be removed.

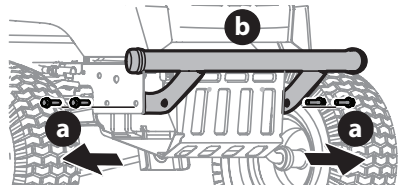


Figure 56

REMOVING THE BRUSH GUARD (IF EQUIPPED)

⚠ WARNING

Disengage the PTO, engage the brake lock, and stop the tractor engine before performing any maintenance procedures. Place the tractor on a firm and level surface before beginning installation or removal procedures.

The exhaust system and surrounding areas are HOT. To avoid personal injury, allow the tractor to cool before beginning any installation or removal procedures.

1. Remove two cotter pins, and then pull the pins (Figure 57).

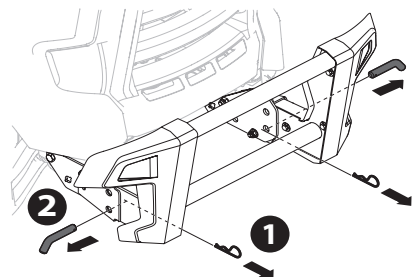


Figure 57

PRODUCT CARE

2. The brush guard assembly may now be removed (Figure 58).

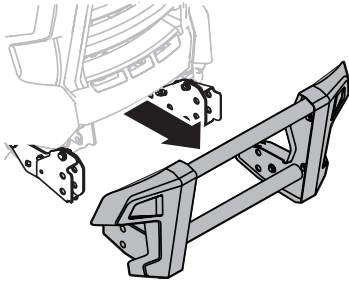


Figure 58

NOTE: The FastAttach™ brackets may be left in place for use with other FastAttach™ attachments. Contact your authorized service dealer for a complete list of products and availability.

CHANGING THE TRANSMISSION DRIVE BELT

Several components must be removed and special tools used in order to change the tractor's transmission drive belt. Contact your authorized service dealer to have the transmission drive belt replaced.

TROUBLESHOOTING

⚠ WARNING

Before performing any type of maintenance/service, disengage all controls and stop the engine. Wait until all moving parts have come to a complete stop. Allow the engine to cool. Disconnect spark plug wire(s) and negative battery cable to prevent unintended starting. Always wear safety glasses during operation or while performing any adjustments or repairs.

This section addresses minor service issues. To locate the nearest authorized service center consult the separate supplement sheet for contact information.

Problem	Cause	Remedy
Engine fails to start	<ol style="list-style-type: none"> 1. PTO/Blade Engage knob engaged. 2. Park brake not engaged. 3. Spark plug wire disconnected. 4. Throttle control lever not in correct starting position. 5. Fuel tank empty, or stale fuel. 6. Blocked fuel line. 7. Faulty spark plug. 8. Engine flooded. 9. Fuse(s) blown. 	<ol style="list-style-type: none"> 1. Place knob in disengaged (OFF) position. 2. Engage parking brake. 3. Connect wire to spark plug. 4. Place throttle lever to FAST position. 5. Fill tank with clean, fresh (less than 30 days old) gasoline. 6. Replace fuel line. See a qualified service dealer. Replace fuel filter. See the Product Care section. 7. Clean, adjust gap or replace plug. 8. Crank engine with throttle in FAST position. 9. Replace fuse.
Engine runs erratically	<ol style="list-style-type: none"> 1. Tractor running with choke activated. 2. Spark plug wires loose. 3. Blocked fuel line or stale fuel. 4. Vent in gas cap plugged. 5. Water or dirt in fuel system. 6. Dirty air cleaner. 	<ol style="list-style-type: none"> 1. Check that the electric choke is working. See a qualified service dealer. 2. Connect and tighten spark plug wires. 3. Replace fuel line. See a qualified service dealer. Fill tank with clean, fresh gasoline and replace fuel filter. See the Product Care section. 4. Clear vent or replace cap if damaged. 5. Drain fuel tank. Refill with clean, fresh gasoline. See the Product Care section. 6. Clean or replace air cleaner paper element or clean foam pre-cleaner.

PRODUCT CARE

Problem	Cause	Remedy
Engine overheats	<ol style="list-style-type: none"> 1. Engine oil level low. 2. Air flow restricted. 	<ol style="list-style-type: none"> 1. Fill engine with proper amount and type of oil. 2. Clean grass clippings and debris from around the engine's cooling fins and housing.
Engine hesitates at high RPMs	<ol style="list-style-type: none"> 1. Spark plug gap set too close. 	<ol style="list-style-type: none"> 1. Remove spark plug and adjust gap.
Engine idles poorly	<ol style="list-style-type: none"> 1. Fouled spark plug. 2. Dirty air cleaner. 	<ol style="list-style-type: none"> 1. Replace spark plug and adjust gap. 2. Clean or replace air cleaner element and/or clean pre-cleaner.
Excessive vibration	<ol style="list-style-type: none"> 1. Cutting blades loose or unbalanced. 2. Damaged, dull or bent cutting blade. 	<ol style="list-style-type: none"> 1. Tighten blade and spindle. Balance blade. 2. Replace blade.
Tractor will not mulch grass	<ol style="list-style-type: none"> 1. Engine speed too low. 2. Wet grass. 3. Excessively high grass. 4. Dull blade. 	<ol style="list-style-type: none"> 1. Place throttle control in FAST position. 2. Do not mulch when grass is wet. 3. Mow once at a high cutting height, then mow again at desired height or make a narrower cutting swath. 4. Sharpen or replace blade.
Uneven cut	<ol style="list-style-type: none"> 1. Deck not leveled properly. 2. Dull blade. 3. Uneven tire pressure. 	<ol style="list-style-type: none"> 1. Perform side-to-side deck adjustment. 2. Sharpen or replace blade. 3. Check tire pressure in all four tires.

MANUAL DEL OPERADOR

Tractor Cortacésped con Motor Frontal

Inglés (English).....	Página 1
Español	Página 37
Francés (French)	Página 75

Registro de Información del Producto

Antes de configurar y hacer funcionar su equipo nuevo, por favor localice la placa de modelo que viene en el equipo y registre la información en el espacio de la derecha. Para encontrar la placa de modelo, eleve el asiento y mire en la parte inferior de la bandeja del asiento. Si tiene que solicitar soporte técnico a través de nuestro sitio web o de un distribuidor de servicio local autorizado, necesitará esta información.

Número de modelo

Número de serie

ADVERTENCIA

Lea y cumpla todas las reglas e instrucciones de seguridad de este manual antes de intentar operar esta máquina.

Si no sigue estas instrucciones, se pueden provocar lesiones personales - GUARDE ESTAS INSTRUCCIONES.

ADVERTENCIA

PROPOSICIÓN 65 DE CALIFORNIA

El escape del motor de este producto, algunos de sus componentes y algunos componentes del vehículo contienen o liberan sustancias químicas que el Estado de California considera que pueden producir cáncer, defectos de nacimiento u otros problemas reproductivos.

Los contactos, bornes y accesorios afines de las baterías contienen plomo y compuestos de plomo, sustancias químicas que según lo establecido por el Estado de California causan cáncer y problemas reproductivos. Lávese las manos después de estar en contacto con estos componentes. www.p65warnings.ca.gov

NOTA: este Manual del Operador corresponde a varios modelos. Las características pueden variar según los modelos. No todas las características que se incluyen en este manual se aplican a todos los modelos y el modelo que se ilustra aquí puede diferir del suyo.

ADVERTENCIA



Este símbolo indica instrucciones de seguridad importantes que, de no seguirse, podrían poner en peligro la seguridad personal y/o la propiedad suya y de terceros. Lea y cumpla todas las instrucciones de este manual antes de intentar hacer funcionar esta máquina. Si no sigue estas instrucciones, se pueden provocar lesiones personales. Cuando vea este símbolo, ¡TENGA EN CUENTA LA ADVERTENCIA!

PELIGRO

Esta máquina está diseñada para ser utilizada respetando las medidas de seguridad contenidas en este manual. Al igual que con cualquier tipo de equipo motorizado, un descuido o error por parte del operador puede producir lesiones graves. Esta máquina es capaz de amputar manos y pies y de arrojar objetos. De no respetar las instrucciones de seguridad siguientes, se pueden ocasionar lesiones graves o la muerte.

FUNCIONAMIENTO GENERAL

1. Lea, entienda y cumpla todas las instrucciones incluidas en el tractor y en los manuales antes de intentar armar la unidad y utilizarla. Guarde este manual en un lugar seguro para consultas futuras y periódicas, así como para solicitar repuestos.
 2. Familiarícese con todos los controles y su correcto funcionamiento. Sepa cómo detener el tractor y desactivar los controles rápidamente.
 3. No permita nunca que los niños menores de 14 años utilicen este tractor. Los niños de 14 años en adelante deben leer y entender las instrucciones y las normas de seguridad contenidas en este manual y sobre el tractor, y deben ser entrenados y supervisados por un adulto.
 4. Nunca permita que los adultos operen este tractor sin recibir antes la instrucción apropiada.
 5. Si se presentan situaciones que no están previstas en este manual, tenga cuidado y use el sentido común. Póngase en contacto con su representante de atención al cliente para obtener ayuda.
 6. De conformidad con la Comisión de Seguridad de Productos para el Consumidor de los Estados Unidos (CPSC) y la Agencia de Protección Ambiental de los Estados Unidos (EPA), este producto tiene una vida útil estimada de siete (7) años, en condiciones normales de uso. Al final de su vida útil, se deberá solicitar una inspección del producto anualmente a fin de asegurarse de que todos los sistemas mecánicos y de seguridad funcionen adecuadamente, de manera segura y no estén excesivamente desgastados. Si no lo hace, puede ocasionar accidentes, lesiones o la muerte.
2. A fin de evitar lesiones por el contacto con las cuchillas o por objetos arrojados, mantenga a los asistentes a por los menos 75 pies (23 metros) del tractor mientras está en funcionamiento. Mantenga a los observadores, los niños y las mascotas en interiores durante el funcionamiento. Detenga el tractor si alguien entra en la zona.
 3. Esté atento a la dirección de la descarga del tractor y no apunte a nadie.
 4. Para protegerse los ojos, utilice siempre anteojos o antiparras de seguridad durante la operación o mientras realiza ajustes o reparaciones. Los objetos arrojados que rebotan pueden producir lesiones graves en los ojos.
 5. Utilice zapatos de trabajo resistentes, de suela fuerte, y pantalones y camisas ajustados. Las ropas sueltas, las alhajas y el cabello largo pueden engancharse en las piezas móviles. Nunca haga funcionar este tractor si está descalzo o con sandalias.
 6. Nunca llene en exceso el depósito de combustible. Llene el depósito no más de 1/2 pulgada (13 mm) por debajo de la base del cuello de llenado, para dejar espacio para la expansión del combustible.
 7. Vuelva a colocar la tapa de la gasolina y ajústela bien.
 8. Use solo aditamentos o accesorios aprobados para este tractor por el fabricante del tractor. Lea, comprenda y siga todas las instrucciones incluidas con el accesorio o aditamento aprobado.

FUNCIONAMIENTO

PREPARATIVOS ANTERIORES AL USO

1. Revise minuciosamente el área donde se va a usar el tractor. Saque todas las piedras, palos, cables, huesos, juguetes y demás objetos extraños que puedan ser recogidos y arrojados por las cuchilla(s). Los objetos arrojados por la máquina pueden producir lesiones personales graves.
2. Desacople las cuchillas y coloque el freno de mano antes de intentar encender el tractor.
3. No ponga las manos ni los pies cerca de las piezas rotatorias ni debajo de la plataforma de corte. El contacto con la(s) cuchilla(s) puede amputar manos y pies.

4. Esté atento a los hoyos, surcos, baches, rocas, u otros objetos ocultos. El terreno desnivelado puede hacer que vuelque el tractor. El césped alto puede ocultar obstáculos.
5. Planifique el patrón de corte, para evitar que la descarga de material se realice hacia los caminos, las veredas, los asistentes, etc. Evite descargar material contra una pared u obstrucción, ya que esto podría hacer que el material descargado rebotara contra el operador.
6. Revise la holgura superior antes de conducir debajo de ramas bajas de árboles, cables, cerramientos de puertas, etc., donde el operador puede golpearse o ser tirado del tractor, lo que podría resultar en lesiones graves.
7. Nunca deje un tractor en funcionamiento sin vigilancia. Siempre apague las cuchillas, ponga el freno de mano, pare el motor y retire la llave antes de desmontar.
8. Desacople la(s) cuchilla(s), coloque el freno de mano, detenga el motor y espere hasta que la(s) cuchilla(s) se detenga(n) por completo antes de retirar el colector de recortes de césped, vaciar los recortes, desbloquear el canal de descarga, retirar cualquier residuo o desecho, o realizar cualquier ajuste.
9. Su tractor fue diseñado para cortar césped residencial normal, con una altura no mayor de 10 pulgadas (25 cm). No intente cortar césped demasiado crecido, seco (por ej., pastura) ni pilas de hojas secas. El césped o las hojas que están secos pueden entrar en contacto con el escape del motor y/o acumularse en la plataforma del tractor presentando un potencial peligro de incendio.
10. Retroceda lentamente. Siempre mire hacia abajo y hacia atrás antes y mientras retrocede para evitar accidentes en retroceso.
11. Nunca lleve pasajeros.
12. Manténgase a por lo menos 10 pies (3 metros) de barrancos, zanjas o terraplenes o del borde del agua. El tractor puede volcarse repentinamente si una de las ruedas pasa el borde de un acantilado o zanja o si se desmorona un borde.
13. Un deflector del canal faltante o dañado puede provocar lesiones por contacto con las cuchillas o por objetos arrojados.
14. No opere el tractor si no está el deflector del canal o el colector de césped completo en su lugar correspondiente.
15. Tenga mucho cuidado con los colectores de césped y otros accesorios. Pueden modificar la estabilidad del tractor. Siga siempre las instrucciones del fabricante del accesorio.
16. Detenga las cuchillas cuando cruce caminos de gravilla, senderos o caminos y cuando no esté cortando el césped.
17. Vigile el tránsito vehicular cuando esté operando cerca de caminos o en cruces. Este tractor no se ha diseñado para el uso en la vía pública.
18. Úsela solamente con luz natural o con buena luz artificial.
19. No haga funcionar el tractor si se encuentra bajo los efectos del alcohol o las drogas.
20. Reduzca la velocidad antes de girar. Opere el tractor suavemente. Evite que funcione de manera errática y a excesiva velocidad.
21. El silenciador y el motor están a temperatura muy alta y pueden provocar lesiones graves por quemaduras. No los toque. Deje que se enfríe el tractor durante cinco minutos antes de intentar cualquier tarea de mantenimiento.
22. Nunca haga funcionar un motor en interiores o en un área mal ventilada. El escape del motor contiene monóxido de carbono, un gas inodoro y letal.

NIÑOS

1. Se pueden producir accidentes trágicos si el operador no está alerta por la presencia de niños. Por lo general, los niños se sienten atraídos por el tractor y su actividad. Los niños no son conscientes de los peligros. Nunca asuma que los niños permanecerán donde los vio por última vez.
2. Mantenga a los observadores, los niños y las mascotas en interiores durante la operación bajo la atenta supervisión de un adulto responsable que no sea el operador. Detenga el tractor si alguien entra en la zona.
3. Nunca transporte niños, ni siquiera con las cuchillas desactivadas. Podrían caerse o interferir con la operación segura del tractor, causando lesiones graves o la muerte.
4. Los niños que ya fueron transportados en el pasado podrían aparecer repentinamente en la zona de corte para otra vuelta y ser atropellados o también podrían ser arrollados al dar marcha atrás con el tractor, causando lesiones graves o la muerte.
5. Esté alerta y apague el tractor si un niño o un observador ingresa al área.
6. Para evitar accidentes al retroceder, siempre mire hacia atrás y hacia abajo para ver si hay niños.
7. Tenga mucho cuidado al aproximarse a las esquinas ciegas, puertas, arbustos, árboles u otros objetos que puedan obstaculizarle la vista de un niño que pudiese correr al encuentro del tractor.
8. No permita nunca que los niños menores de 14 años utilicen este tractor. Los niños de 14 años en adelante deben leer y entender las instrucciones y las normas de seguridad contenidas en este manual y sobre el tractor, y deben ser entrenados y supervisados por un adulto.
9. No permita que se transporte a ningún niño por diversión en el tractor. El tractor no es un juguete ni un carro de paseo. Advértales a sus hijos que el tractor puede ser peligroso y que deben mantenerse alejados de él en todo momento.
10. Mantenga a los niños alejados de los motores calientes o en funcionamiento. Pueden sufrir quemaduras al tocar un silenciador caliente.
11. Retire la llave cuando el tractor quede sin vigilancia para evitar el funcionamiento no autorizado. Asegúrese de que la llave quede fuera del alcance de los niños pequeños.

OPERACIÓN EN PENDIENTES

1. Las pendientes son un factor importante en los accidentes ocasionados por pérdida de control y vuelcos que pueden causar lesiones graves e incluso la muerte. Todas las pendientes requieren precaución extra. Si no puede retroceder por la pendiente o si no se siente seguro, no realice ningún corte.
2. Para su seguridad, mida las pendientes antes de usar el tractor en el lugar inclinado. Use un dispositivo de medición de pendientes además del indicador de pendiente que se incluye como parte de este manual para medir las pendientes antes de operar este tractor sobre una zona inclinada o con pendientes. Para medir las pendientes, también se pueden usar aplicaciones de teléfonos inteligentes. Si la pendiente es de más de 15° (25%) según figure en el indicador de pendiente o un dispositivo de medición de pendientes, no haga funcionar este tractor en ese sector pues podría causar lesiones graves.
3. No corte el césped en pendientes de más de 15° (25%).
4. No corte el césped a través de las laderas, sólo corte arriba y abajo de las laderas que son de menos de 15° (25%). Utilice las velocidades bajas y evite los giros bruscos.
5. No corte el césped húmedo. La reducción de la tracción puede causar derrapes o pérdidas del control.
6. No opere el tractor en ninguna condición en la que se comprometan la tracción, la dirección o la estabilidad. Los neumáticos podrían deslizarse incluso si las ruedas están detenidas.
7. Evite arrancar y parar en una pendiente. Evite hacer cambios repentinos de velocidad o dirección. Haga los giros de forma lenta y gradual.
8. Tenga mucho cuidado al operar este tractor con el colector de césped y otros accesorios. Pueden comprometer la estabilidad del tractor. No utilice el colector de césped en pendientes superiores a 10° (17%).
9. No intente estabilizar el tractor poniendo el pie en el suelo.
10. Haga que todos los movimientos en las pendientes sean lentos y graduales. No realice cambios bruscos de velocidad o dirección. La aceleración repentina podría hacer que el frente del tractor se levantara y volcara rápidamente hacia atrás, lo que podría producir lesiones graves o la muerte.
11. No apague el tractor y no se desplace cuesta abajo sin control. El exceso de velocidad puede hacer que el operador pierda el control del tractor, ocasionando lesiones graves e incluso la muerte.

INDICADOR DE PENDIENTE (CUBIERTA POSTERIOR)

ADVERTENCIA

Las pendientes son un factor importante en los accidentes ocasionados por derrapes y caídas y pueden producir lesiones graves. Todas las pendientes requieren precaución extra. Si no se siente seguro en una pendiente, no corte el césped. No corte el césped en pendientes de más de 15° (25%). No realice cortes de forma transversal a la pendiente, solo de forma ascendente y descendente.

PARA DETERMINAR SI UNA PENDIENTE ES DEMASIADO EMPINADA Y EVITAR RIESGOS, USE EL INDICADOR DE PENDIENTE QUE APARECE EN LA CUBIERTA POSTERIOR COMO SE MUESTRA.

Para comprobar la pendiente, proceda de la siguiente manera:

1. Abra el manual por la contraportada y dóblelo por la línea de puntos.
2. Ubique un objeto vertical que esté sobre la pendiente o detrás de la misma (p. ej., un poste, un edificio, un cerco, un árbol, etc.).
3. Alinee cualquiera de los lados del indicador de pendiente con el objeto.
4. Ajuste el indicador hacia arriba o abajo hasta que la esquina izquierda toque la pendiente.
5. Si hay una separación por debajo del indicador, significa que la pendiente es demasiado empinada para una operación segura.

INCENDIOS Y COMBUSTIBLE

1. Para evitar lesiones personales o daños materiales sea sumamente cuidadoso al manipular la gasolina. La gasolina es sumamente inflamable y sus vapores son explosivos. Si se derrama gasolina encima o sobre la ropa se puede lesionar gravemente ya que se podría prender fuego. Lávese la piel y cámbiese de ropa de inmediato.
2. Apague los cigarrillos, cigarros, pipas y toda otra fuente de combustión.
3. Utilice sólo recipientes para gasolina aprobados.
4. Nunca saque la tapa del combustible ni agregue combustible mientras el motor está caliente o en marcha. Deje que el motor se enfríe por lo menos cinco minutos antes de volver a cargar combustible.
5. Nunca cargue combustible en los tractores en interiores.
6. Nunca guarde el tractor o el recipiente de combustible en un espacio cerrado donde haya fuego, chispas o luz piloto, como por ejemplo de calentadores de agua, calefactores de ambientes, hornos, secadores de ropa u otros aparatos a gas.

7. Limpie la gasolina que se pueda haber derramado sobre el motor y el equipo. Limpie los derrames de combustible o de aceite y elimine los residuos empapados con gasolina. Traslade el tractor a otra zona. Espere 5 minutos antes de arrancar el motor.
8. Para reducir el riesgo de incendio, mantenga el tractor limpio de pasto, hojas y residuos acumulados. Siga las instrucciones de Cuidado del tractor posterior al funcionamiento de la sección de Cuidado del producto.
9. Su tractor fue diseñado para cortar césped residencial normal, con una altura no mayor de 10 pulgadas (25 cm). No intente cortar césped demasiado crecido, seco (como un pastizal) ni pilas de hojas secas. El césped o las hojas que están secos pueden entrar en contacto con el escape del motor y/o acumularse en la plataforma del tractor presentando un potencial peligro de incendio.
10. Nunca llene en exceso el depósito de combustible. Llene el tanque no más de 1/2 pulgada por debajo de la base del cuello de llenado, para dejar espacio para la expansión del combustible.
11. Vuelva a colocar la tapa de la gasolina y ajústela bien. No opere el tractor si la tapa del combustible no está colocada en su lugar.
12. Deje que el tractor se enfríe por lo menos cinco minutos antes de cargarle combustible o guardarlo.
13. Nunca llene los recipientes en el interior de un vehículo o camión o caja de remolque con un recubrimiento plástico. Siempre ubique los recipientes en el piso, lejos del vehículo antes de llenarlos.
14. Cuando sea factible, retire el equipo a gasolina del camión o remolque y llénelo en el suelo. Si esto no es posible, recargue combustible sobre un remolque con un recipiente portátil, en lugar de una boquilla dosificadora de combustible.
15. En todo momento, mantenga el pico en contacto con el borde del depósito de combustible o con la abertura del recipiente, hasta terminar la carga. No utilice un dispositivo de bloqueo/apertura de boquilla.

TRANSPORTE

1. Utilice rampas de ancho total bien sujetas para cargar y descargar un tractor para el transporte.
2. Tenga mucho cuidado al cargar o descargar el tractor en un remolque o camión. Este tractor no debe conducirse subiendo o bajando rampas, ya que el tractor podría volcar y provocar lesiones personales graves. El tractor se debe empujar a mano en rampas para cargarlo o descargarlo correctamente.
3. Eleve la plataforma hasta la posición más alta para una separación para la carga.

REMOLQUE

1. No remolque cargas que superen las 250 libras (113 kg) de peso de arrastre y nunca supere las 50 libras (22 kg) de peso sobre el punto de enganche.
2. No acople equipo remolcado excepto en el punto de enganche del tractor.
3. Nunca permita que los niños y otras personas se suban a equipos remolcados.
4. No remolque en pendientes de más de 5° (9%). En las pendientes, el peso del equipo remolcado puede causar pérdida de tracción y pérdida de control, y/o de la capacidad para detenerse.
5. Siempre tenga mucho cuidado al remolcar con un tractor capaz de hacer giros cerrados (por ejemplo, tractor de giro cerrado). Realice giros amplios para el acodillamiento.
6. Desplácese lentamente y deje distancia adicional para detenerse.

SERVICIO

1. Mantenga la máquina en buenas condiciones de funcionamiento. No use el tractor hasta que se reemplacen las piezas desgastadas o dañadas.
2. Para evitar lesiones graves o la muerte, no modifique el motor de ninguna manera. La manipulación del ajuste del regulador puede modificar la regulación del motor y hacer que este funcione a velocidades inseguras. Nunca manipule el ajuste de fábrica del regulador del motor. No cambie la configuración del regulador del motor ni acelere demasiado el motor. El regulador del motor controla la velocidad máxima de funcionamiento seguro del motor.
3. Las cuchillas del tractor son afiladas. Envuelva la cuchilla o utilice guantes y extreme las precauciones cuando les haga mantenimiento.
4. Los tractores que tienen motores, mangueras o bombas hidráulicas, y/o sistemas de inyección diésel tienen sistemas de líquidos bajo presión. El líquido que escapa a presión puede tener fuerza suficiente para penetrar la piel y causar lesiones graves. Si se inyecta líquido en la piel, consulte de inmediato a un médico. Mantenga el cuerpo y las manos alejados de los orificios de pasadores o los picos que expulsan líquido a alta presión. Si ocurre una pérdida, haga que un distribuidor autorizado realice el mantenimiento del tractor de inmediato.
5. Antes de limpiar, reparar o inspeccionar la máquina, compruebe que la(s) cuchilla(s) y todas las piezas móviles se hayan detenido. Apague el motor, saque la llave y desconecte los cables de las bujías y el cable negativo de la batería para evitar un arranque involuntario.

6. Controle para garantizar que las cuchillas se detengan completamente en no más de cinco segundos después de desactivar el control de desactivación de las cuchillas según el intervalo del Cronograma de mantenimiento. Mida el tiempo hasta la detención con un cronómetro. Si las cuchillas no se detienen completamente en menos de cinco segundos, su tractor debe ser reparado por un profesional en un distribuidor de servicio autorizado.
7. Controle el sistema de interbloqueo de seguridad, según el intervalo del Cronograma de mantenimiento para un funcionamiento correcto, tal como se describe más adelante en este manual. Si el sistema de interbloqueo de seguridad no funciona correctamente, lleve su tractor a hacerle un servicio profesional de un distribuidor autorizado.
8. Nunca altere el sistema de interbloqueo de seguridad u otros dispositivos de seguridad. Compruebe regularmente que estos elementos funcionen correctamente.
9. Controle el par de ajuste del perno de montaje del motor y las cuchillas de acuerdo con la tabla del Cronograma de mantenimiento de este manual. Además, inspeccione visualmente las cuchillas para detectar la presencia de daños (por ejemplo: desgaste excesivo, abolladuras, rajaduras). Reemplace las cuchillas por cuchillas de los fabricantes del equipo original (O.E.M.) únicamente.
10. El uso de piezas de mantenimiento que no cumplen con las especificaciones del equipo original puede resultar en rendimiento inadecuado y puede poner en peligro la seguridad.
11. Mantenga todas las tuercas, pernos y tornillos bien ajustados para asegurarse de que el equipo está en condiciones de funcionamiento seguras. Revise la tabla del Cronograma de mantenimiento de este manual para obtener información sobre el intervalo de mantenimiento.
12. Después de golpear algún objeto extraño, detenga el motor, desconecte los cables de las bujías y el cable negativo de la batería para evitar un arranque involuntario. Revise cuidadosamente para detectar daños. Repare el daño antes de volver a arrancar y operar la máquina.
13. Nunca intente hacer ajustes o arreglos en el tractor con el motor en marcha.
14. Los componentes del colector de césped y el deflector del canal están sujetos a desgaste y daños lo que podrían dejar expuestas las piezas móviles o permitir que se arrojaran objetos. Verifique frecuentemente los componentes y reemplácelos inmediatamente por piezas del fabricante del equipo original (O.E.M.) únicamente.
15. Mantenga o reemplace las etiquetas de seguridad e instrucciones según sea necesario.
16. Respete las normas y reglamentaciones sobre la manera correcta de desechar gasolina, aceite, etc. para proteger el medio ambiente.

AVISO SOBRE LAS EMISIONES DEL MOTOR

Los motores tienen la certificación de cumplimiento de las reglamentaciones de California y federales para SORE (equipo pequeño para uso fuera de carreteras), funcionan con gasolina normal y pueden incluir los siguientes sistemas de control de emisiones: Modificación de motor (EM) y catalizador de tres vías (TWC) si están equipados con esos sistemas.

Cuando sea necesario, los modelos están equipados con líneas de combustible y depósitos de combustible de baja penetración para controlar las emisiones por evaporación. Los modelos de California también pueden incluir un filtro de carbono. Por favor, póngase en contacto con Atención al cliente para obtener información sobre la configuración del control de emisiones por evaporación para su modelo.

AMORTIGUADOR DE CHISPAS

ADVERTENCIA







Este tractor cortacésped está equipado con un motor de combustión interno y no debe ser utilizado en o cerca de un terreno agreste cubierto por bosque, malezas o hierba excepto que el sistema de escape del motor esté equipado con un amortiguador de chispas que cumpla con las leyes locales o estatales correspondientes (en caso de existir).

Si se utiliza un amortiguador de chispas el operador lo debe mantener en condiciones de uso adecuadas. En el Estado de California, las medidas anteriormente mencionadas son exigidas por ley (Artículo 4442 del Código de Recursos Públicos de California). Es posible que existan leyes similares en otros estados. Las leyes federales se aplican en territorios federales.

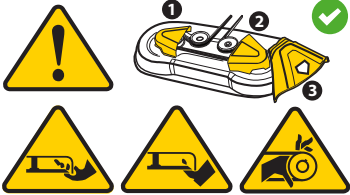
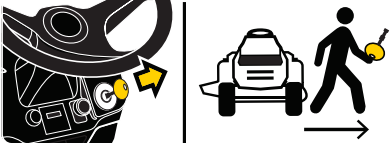
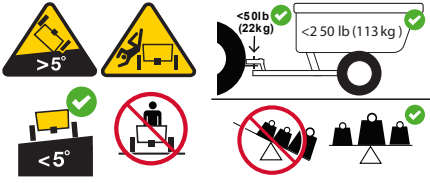

Puede conseguir el amortiguador de chispas para el silenciador a través de su distribuidor autorizado de motores más cercano o poniéndose en contacto con el departamento de servicios, P.O. Box 361131, Cleveland, Ohio 44136-0019.

SÍMBOLOS DE SEGURIDAD

Esta tabla representa y describe los símbolos de seguridad que PUEDEN APARECER en este producto.

Símbolo	Descripción
 <p data-bbox="208 427 385 451">OPESymbol.com</p>	<p>ADVERTENCIA - LEA EL MANUAL DEL OPERADOR - Lea, entienda y cumpla todas las reglas e instrucciones de seguridad que se incluyen en el manual y en el tractor antes de intentar utilizar este tractor. Si no cumple con lo que indica esta información, se pueden provocar lesiones personales o la muerte. Conserve este manual en un lugar seguro para usarlo como referencia futura habitual. Con un teléfono inteligente, escanee el símbolo del código de QR para obtener más información sobre las advertencias incluidas en este tractor. También puede visitar www.OPESymbol.com para obtener más información.</p>
	<p>ADVERTENCIA - EVITE LESIONES POR OBJETOS ARROJADOS - Mantenga a los asistentes por lo menos a 75 pies (23 metros) de la máquina durante la operación. Saque todas las piedras, palos, cables, huesos, juguetes y demás objetos extraños que puedan ser recogidos y arrojados por la(s) cuchilla(s). Nunca opere el tractor si no está bien colocada la cubierta de descarga o si no está instalado el colector de césped completo en el lugar que corresponde.</p>
	<p>ADVERTENCIA - EVITE LESIONES EN NIÑOS AL RETROCEDER/POR ATROPELLAR/POR CONTACTO CON LAS CUCHILLAS - Para evitar accidentes al retroceder, siempre mire hacia atrás y hacia abajo para ver si hay niños. Nunca transporte niños, ni siquiera con las cuchillas desactivadas. Mantenga a los observadores, los niños y las mascotas en interiores durante la operación bajo la atenta supervisión de un adulto responsable que no sea el operador. Detenga el tractor si alguien entra en la zona.</p>
	<p>ADVERTENCIA - EVITE LESIONES POR VUELCOS - No opere la máquina en una pendiente mayor de 15° (25%). No corte el césped a través de las laderas, sólo corte arriba y abajo de las laderas que son de menos de 15° (25%). Utilice las velocidades bajas y evite los giros bruscos en las pendientes. Manténgase a por lo menos 10 pies (3 metros) de barrancos, zanjas o terraplenes o del borde del agua.</p>
	<p>ADVERTENCIA - EVITE INCENDIOS - Su máquina fue diseñado para cortar césped residencial normal, con una altura no mayor de 10 pulgadas (25 cm). No intente cortar césped demasiado crecido, seco (como un pastizal) ni pilas de hojas secas. Deje que la máquina se enfríe por lo menos cinco minutos antes de cargarle combustible o guardarlo en un garaje cerrado o en una bodega de almacenamiento.</p>
	<p>ADVERTENCIA - EVITE LESIONES DE AMPUTACIÓN - No ponga las manos ni los pies cerca o debajo de la plataforma de corte. El contacto con las cuchilla(s) puede amputar manos y pies.</p>

PRÁCTICAS DE OPERACIÓN SEGURAS

Símbolo	Descripción
	<p>ADVERTENCIA - EVITE LESIONES DE AMPUTACIÓN - No ponga las manos ni los pies cerca de las piezas rotatorias ni debajo de la plataforma de corte. El contacto con la(s) cuchilla(s) puede amputar manos y pies. Compruebe que todos los dispositivos de seguridad (protecciones, escudos, interruptores, etc.) estén en su lugar y funcionando. El contacto con las correas y/o el husillo de las cuchillas puede aplastar o lesionar las partes del cuerpo.</p>
	<p>ADVERTENCIA - SACAR LA LLAVE - Apague siempre las cuchillas, ponga el freno de mano, pare el motor y saque la llave antes de bajarse. Si va a dejar el tractor sin supervisión, saque siempre la llave para evitar que niños u otras personas utilicen el tractor sin autorización.</p>
	<p>ADVERTENCIA - EVITE LAS LESIONES RELACIONADAS CON EL REMOLQUE - No remolque cargas que superen las 250 libras (113 kg) de peso de arrastre y nunca supere las 50 libras (22 kg) de peso sobre el punto de enganche. Nunca permita que los niños y otras personas se suban a equipos remolcados. No remolque en pendientes de más de 5° (9%). En las pendientes, el peso del equipo remolcado puede causar pérdida de tracción y pérdida de control, y/o de la capacidad para detenerse. Desplácese lentamente y deje distancia adicional para detenerse.</p>
	<p>ADVERTENCIA - SUPERFICIE CALIENTE - El silenciador y el motor están a temperatura muy alta y pueden provocar lesiones graves por quemaduras. No los toque. Deje que la máquina se enfríe al menos durante cinco minutos antes de almacenarlo o intentar cualquier tarea de mantenimiento.</p>

⚠ ADVERTENCIA

Su responsabilidad—Limite el uso de esta máquina motorizada a las personas que lean, comprendan y respeten las advertencias e instrucciones que figuran en este manual y en la máquina. - ¡GUARDE ESTAS INSTRUCCIONES!

NOTA: este Manual del Operador corresponde a varios modelos. Las características del tractor pueden variar según los modelos. No todas las características que se incluyen en este manual se aplican a todos los modelos de tractor y la máquina que se ilustra aquí puede diferir de la suya.

NOTA: todas las referencias que contiene este manual a los lados derecho o izquierdo y trasero o delantero del tractor son siempre desde la posición de operación. Las excepciones, si las hubiere, serán especificadas.

PREPARATIVOS

Movimiento manual del tractor

1. Acople la varilla de derivación de la transmisión para mover el tractor manualmente sin ponerlo en marcha. La varilla de derivación de la transmisión está ubicada en la parte trasera del tractor, sobre el bastidor. Acople la varilla de derivación tirando hacia afuera (Figura 1).

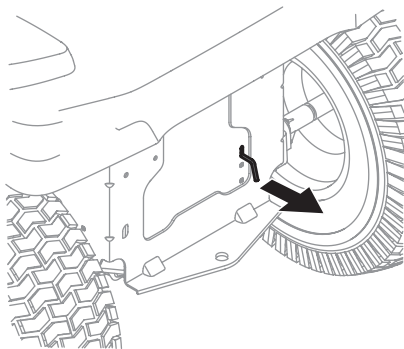


Figura 1

NOTA: si el tractor no se mueve o no se mueve libremente al empujarlo compruebe si la varilla de derivación hidrostática está completamente abierta o si el freno está activado.

NOTA: la transmisión NO se accionará cuando la varilla de derivación hidrostática esté tirada hacia fuera. Regrese la varilla a su posición desactivada antes de operar el tractor.

2. Después de mover el tractor, desacople la varilla de derivación hidrostática empujando la varilla hacia adentro (Figura 1).

Instalación del Asiento del Operador (si fuese necesario)

Para instalar el asiento, proceda de la siguiente manera:

NOTA: el asiento es enviado con el interruptor de asiento y bandeja de asiento acoplados.

1. Corte cualquier tira que sujete el conjunto del asiento al tractor. Quite cualquier material de empaque.

NOTA: tenga cuidado de no cortar accidentalmente el mazo de cables que conecta el asiento al interruptor de asiento.

2. Quite los dos tornillos con reborde (a) y las tuercas de seguridad con brida (b) de la bandeja del asiento tal como se muestra en la Figura 2.

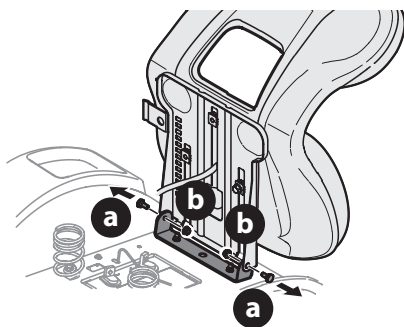


Figura 2

3. Gire el asiento en su posición y deslice un destornillador Phillips por uno de los orificios de fijación del asiento y soporte del asiento para alinearlos.
4. Luego, con los tornillos con reborde (a) y las tuercas de seguridad con brida (b) previamente quitados, asegure un lado del asiento y soporte del asiento. Mientras sostiene el asiento, quite el destornillador Phillips y asegure el otro lado del asiento. Tenga cuidado de no doblar o dañar el mazo de cables mientras instala el asiento (Figura 3). Ajuste hasta 84-103 pulgadas-libras (9-12 N-m).

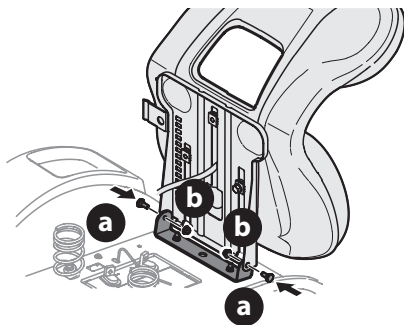


Figura 3

5. Usando la traba del mazo unida al mazo, asegure el exceso de cable al guardabarros colocando la traba del mazo en su lugar como se muestra en la Figura 4.

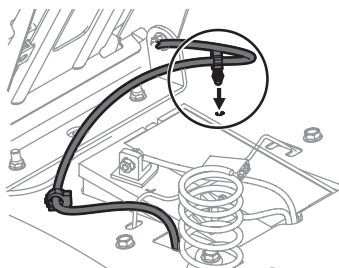


Figura 4

Instalación del Collarín de Capó (si fuese necesario)

Hay tres (3) clavijas de alineación (a) sobre el collarín del capó (b) que se alinean con los correspondientes orificios de alineación (c) del capó (d) (Figura 5).

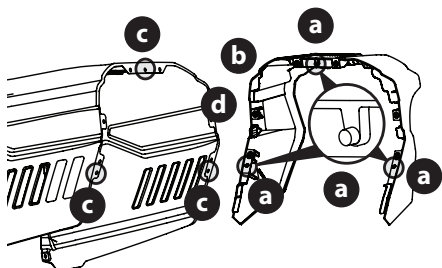


Figura 5

Para posicionar correctamente el collarín del capó (a) use estos puntos de alineación, luego asegúrelo en su lugar con los seis pernos hexagonales (b) que vienen en la bolsa de elementos de ferretería. Ajuste los pernos hexagonales hasta 102-124 pulgadas-libras (12-14 N-m) (Figura 6).

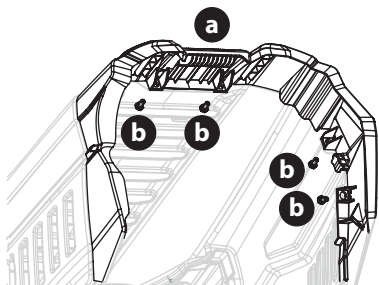


Figura 6

Instalación de la Tapa del Capó a Presión (si fuese necesario)

1. Para instalar la tapa del capó a presión (a), alinee los orificios de la tapa del capó (a) con las lengüetas (b) del bastidor del capó como se muestra en la Figura 7.

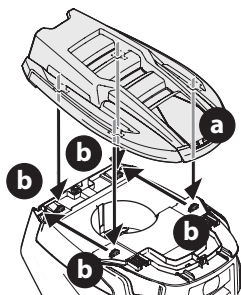
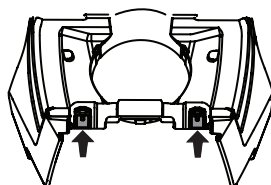


Figura 7

2. Inserte las lengüetas en la tapa del capó y tire hacia atrás para trabar en su lugar.
3. Una vez que la tapa del capó está en su lugar, las dos lengüetas de traba que están cerca del capó deben ser tiradas hacia arriba para trabar la tapa del capó en su lugar (Figura 8).



La Tapa del Capó no se muestra para mayor claridad

Figura 8

Instalación de la Tapa del Capó Atornillada (si fuese necesario)

NOTA: tenga cuidado de no dañar el arnés de faros delanteros cuando instale la tapa del capó atornillada.

1. Coloque la tapa del capó contra la parte superior del capó con el capó abierto, y alinee los orificios que están en el capó.
2. Asegure la tapa del capó atornillada (a) desde abajo, ajuste a mano los tornillos (b) que están en la mitad trasera del capó y luego apriete los tornillos con firmeza (Figura 9).

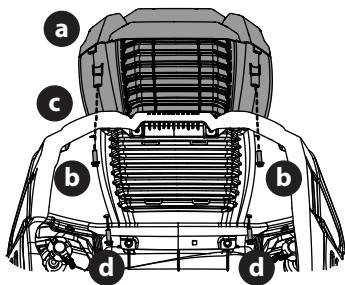


Figura 9

3. Con los tornillos traseros en su lugar, alinee los orificios de la tapa del capó (a) con los orificios del capó (c) y fije en su lugar con los restantes dos tornillos (d) (Figura 9).
4. Ajuste los cuatro tornillos hasta 16-24 pulgadas-libras (2-3 N-m).

Instalación del Pleno (si fuese necesario)

NOTA: tenga cuidado de no dañar el arnés de faros delanteros cuando instale el pleno.

Para instalar el pleno en el capó:

1. Inserte las lengüetas traseras (c) como se muestra en la Figura 10 en la página 47.

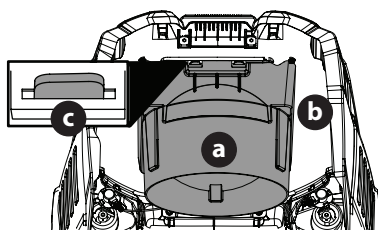


Figura 10

- Con las lengüetas traseras instaladas, inserte las lengüetas delanteras (a) en el pleno (b) como se muestra en la Figura 11.

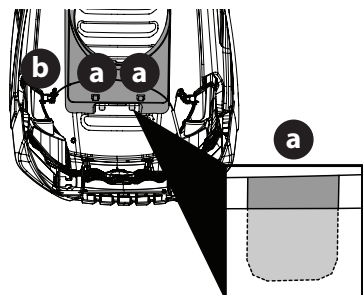


Figura 11

NOTA: las lengüetas traseras encajan en cavidades que se encuentra en la parte superior del capó. Se desliza hacia arriba desde abajo del capó y entran en estas cavidades.

- Presione sobre la base del pleno para asegurar que esté firme en su lugar.
- Asegure el arnés de faros delanteros (a) en las dos guías (b) del frente del pleno (Figura 12).

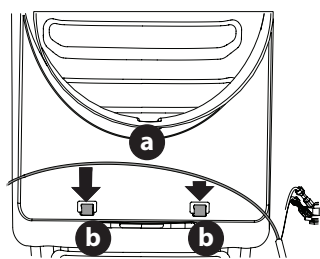


Figura 12

Instalación de la Cubierta del Tablero (si fuese necesario)

Para instalar la cubierta del tablero (a), alinee las lengüetas (b) de la cubierta del tablero (c) con los orificios del tablero superior como se muestra en la Figura 13. Coloque las lengüetas (b) en los orificios del tablero superior y empuje hacia adelante sobre la cubierta del tablero para trazarla en su lugar.

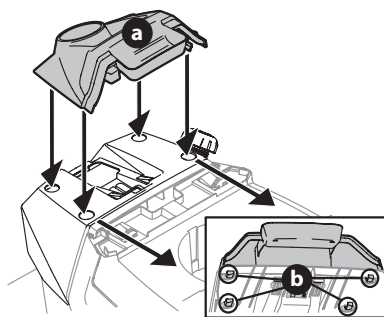


Figura 13

NOTA: asegúrese de oprimir sobre la parte inferior de la tapa del tablero (a) frente a la posición del operador para asegurar que las lengüetas inferiores de la tapa del tablero están en su lugar (Figura 13).

Instalación del Volante (si fuese necesario)

Los elementos de ferretería utilizados para instalar el volante han sido empaquetados dentro del volante, por debajo de la tapa del volante. Retire la cubierta con cuidado insertando un destornillador plano pequeño dentro de una de las tres ubicaciones de ajuste a presión, al tiempo que lentamente apalanca la tapa del volante para retirar el hardware.

¡IMPORTANTE! No utilice herramientas de impacto para instalar o extraer el volante. Si lo hace, puede dar un torque en exceso y dañar la sujeción.

- Con las ruedas del tractor apuntando recto hacia adelante, alinee el volante (a) usando la línea central (b) de la parte delantera del volante (a) que apunta hacia adelante y la sección plana (c) del volante (a) orientada hacia el asiento, coloque el volante (a) sobre el árbol de la dirección (d) (Figura 14).

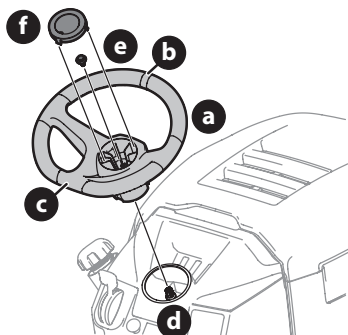


Figura 14

- Asegure el volante (a) con el perno hexagonal (e) desde debajo de la tapa del volante (f) y ajuste hasta 18-22 pies-libras (24-30 N-m) (Figura 14).
- Coloque la tapa del volante (f) sobre el centro del volante (a) y empuje hacia abajo hasta que haga clic al calzar en su lugar (Figura 14).

CONFIGURACIÓN

NOTA: el perno hexagonal (e) que asegura el volante (a) tiene sellador de rosca; de modo que si se lo extrae, se recomienda reemplazar el perno hexagonal (e) o volver a aplicarle sellador de rosca (Figura 14 en la página 47).

Instalación del Paragolpes Delantero (si se incluye)

⚠ ADVERTENCIA

Desactive la PTO, active el bloqueo de freno y detenga el motor del tractor antes de realizar cualquier procedimiento de preparación. Coloque el tractor sobre una superficie firme y nivelada antes de comenzar los procedimientos de instalación o extracción.

El sistema de escape y las áreas que lo rodean están CALIENTES. Para evitar lesiones personales, deje que el tractor se enfríe antes de comenzar cualquier procedimiento de instalación o extracción.

Los elementos de ferretería para fijar el paragolpes delantero se despachan instalados en el paragolpes.

1. Saque los cuatro tornillos hexagonales (a) del paragolpes (b) (Figura 15).
2. Coloque los soportes del paragolpes hacia el interior del bastidor del tractor y fíjelos en su lugar con los cuatro tornillos hexagonales con reborde (a) (Figura 15).

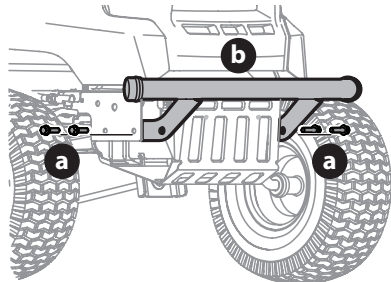


Figura 15

Instalación de la Protección del Cepillo FastAttach™ (si se incluye)

1. Alinee el conjunto de la protección del cepillo con los soportes FastAttach™ y empuje todo el conjunto (Figura 16).

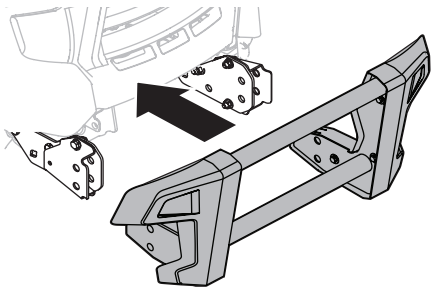


Figura 16

2. Instale los pasadores en el lado derecho e izquierdo de la protección del cepillo y, luego, asegúrelos con dos pasadores de chaveta que se incluyen en el paquete de elementos de ferretería (Figura 17).

NOTA: si hala levemente de la protección del cepillo levemente hacia arriba, esto puede facilitar la instalación de los pasadores.

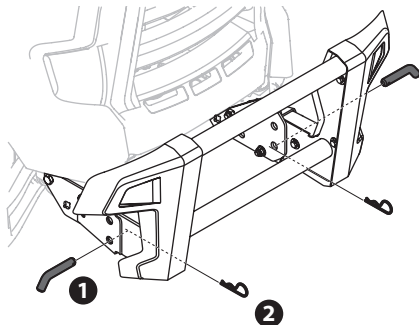


Figura 17

Baje el Deflector del Canal de Descarga de la Plataforma

⚠ ADVERTENCIA

Nunca opere la plataforma de corte sin el deflector del canal instalado y en posición baja.

MODELOS CON PLATAFORMA DE 46 PULGADAS:

1. Retire las chavetas que están sujetas con una unión con cierre al soporte del canal.
2. Retire la tuerca de seguridad con brida y el tornillo hexagonal de la plataforma.
3. Ubique el deflector del canal en la plataforma, asegúrese de insertar las lengüetas de dicho deflector en los orificios de la plataforma (Figura 18).
4. Deslice el deflector del canal hacia la parte posterior del tractor hasta que el orificio del perno que está en el deflector del canal quede alineado con el orificio de la plataforma (Figura 18).

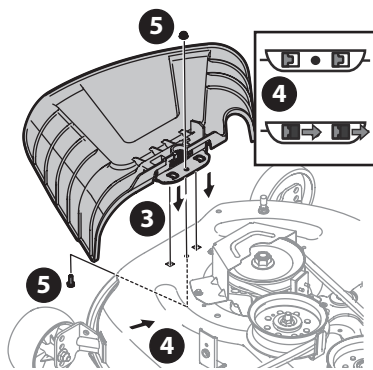


Figura 18

CONFIGURACIÓN

5. Sujete el deflector del canal en su lugar con la tuerca de seguridad con brida y el tornillo hexagonal que se extrajeron en el paso dos. Ajuste hasta 102-124 pulgadas-libras (12-14 N-m) (Figura 18 en la página 48). Pase a Ajuste de las Ruedas de la Plataforma.

MODELOS CON PLATAFORMAS DE 42/50/54 PULGADAS:

1. Inspeccione la plataforma del tractor para ver si hay una traba de seguridad que pueda estar sujetando el deflector del canal hacia arriba para el envío. Si la traba está presente, se la debe extraer antes de hacer funcionar el tractor. Sosteniendo el deflector del canal totalmente hacia arriba, extraiga la traba de seguridad. Baje el deflector del canal y descarte la traba de seguridad (Figura 19).

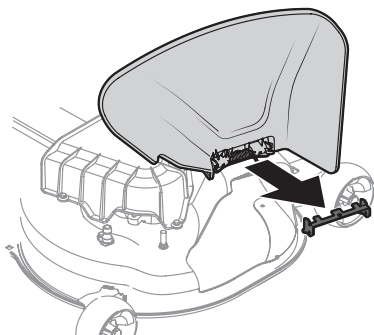


Figura 19

Ajuste de las Ruedas de la Plataforma

NOTA: las ruedas de la plataforma constituyen un mecanismo para el cuidado del césped y no fueron diseñadas para soportar el peso de la plataforma de corte.

1. Mueva el tractor a una superficie nivelada, preferentemente pavimentada.
2. Controle la presión de los neumáticos, ajuste si es necesario. Consulte los laterales de los neumáticos para averiguar la presión de inflado adecuada.
3. Asegúrese de que la plataforma esté nivelada de un lado a otro, y adecuadamente inclinada. Consulte en la sección Cuidado del producto la información y las instrucciones para nivelar la plataforma.
4. Coloque la palanca de elevación de la plataforma en la posición de altura de corte deseada.

5. Controle si las ruedas están en contacto con la superficie de abajo o si hay una separación excesiva.

NOTA: las ruedas de la plataforma deben tener entre 1/4-1/2 pulgada (6.35-12.7 mm) de separación del suelo. Proceda como se indica a continuación para ajustar las ruedas:

- a. Levante el tirador de elevación de la plataforma hasta el punto más alto.
- b. Retire las ruedas delanteras (a) y traseras (b) de la plataforma retirando las tuercas de seguridad con brida (c) y los tornillos con reborde (d) que los sujetan a la plataforma (Figura 20).

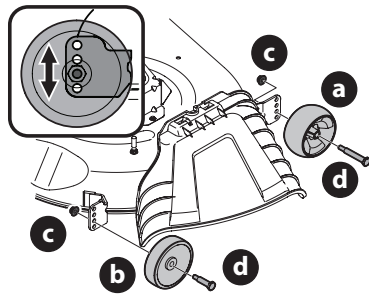


Figura 20

- c. Coloque la palanca de elevación de la plataforma en el ajuste de altura de corte deseado.
- d. Vuelva a insertar los tornillos con reborde (con cada rueda de la plataforma) dentro del orificio de posicionamiento que deja aproximadamente 1/2 pulgada (13 mm) entre la parte inferior de la rueda y el pavimento. Apriete la tuerca de seguridad con brida y el tornillo con reborde hasta lograr entre 25 a 30 libras-pie (34-41 N-m) con una llave de torsión.

INFORMACIÓN SOBRE LA BATERÍA

⚠ ADVERTENCIA

ADVERTENCIA DE LA PROPOSICIÓN 65 DE CALIFORNIA: Los contactos, bornes y accesorios afines de las baterías contienen plomo y compuestos de plomo, sustancias químicas que según lo establecido por el Estado de California causan cáncer y problemas reproductivos. Lávese las manos después de estar en contacto con estos componentes.

⚠ ADVERTENCIA

En caso de que se produzca una salpicadura accidental de ácido en los ojos o la piel, enjuague el área afectada inmediatamente con agua limpia fría. Consulte a un médico inmediatamente.

Si el ácido salpica la ropa, en primer lugar dilúyalo con agua limpia, luego neutralícelo con una solución de agua/amoniaco o bicarbonato/agua.

NUNCA conecte (o desconecte) las abrazaderas del cargador de la batería a la batería si el cargador está encendido, ya que puede causar chispas.

Mantenga todas las fuentes de ignición (cigarrillos, cerillas, encendedores) alejadas de la batería. El gas generado durante la carga puede ser combustible.

Como precaución adicional, cargue la batería únicamente en un área bien ventilada.

Siempre proteja sus ojos y su piel y vestimenta cuando trabaje cerca de baterías.

Las baterías contienen ácido sulfúrico y pueden producir gases explosivos. Tenga sumo cuidado cuando manipule baterías. Mantenga las baterías lejos del alcance de los niños.

La batería puede generar riesgo de incendio o quemadura química si se la usa incorrectamente. NO abra, desensamble, sobrecaliente o incinere la batería.

⚠ PRECAUCIÓN

Quando coloque los cables de la batería, conecte siempre primero el cable POSITIVO (rojo) a su borne, y a continuación el cable NEGATIVO (negro).

NOTA: el terminal positivo de la batería está marcado como Pos. (+). El terminal negativo de la batería está marcado como Neg. (-).

Conexión de los Cables de la Batería

⚠ ADVERTENCIA

Siempre conecte el conductor positivo a la batería antes de conectar el conductor negativo. Esto evita la generación de chispas o posibles lesiones producidas por un cortocircuito eléctrico causado por el contacto del cuerpo del tractor con las herramientas que se usan para conectar los cables.

Por razones relacionadas con el embarque, la fábrica puede dejar los dos cables de la batería desconectados de los terminales. Para conectar los cables de la batería, proceda de la siguiente manera:

NOTA: el mazo de cables debería colocarse sobre la parte superior de la barra de sujeción de batería. De no ser así, el mazo de cables podría resultar dañado (Figura 22 en la página 51).

1. Extraiga los tornillos hexagonales (a) y las tuercas cuadradas (b) instalados de fábrica en el extremo del arnés de cables. Guarde los herrajes para uso posterior (Figura 21).

2. Retire la cubierta plástica (c), si está presente, del borne positivo de la batería (d) y una el cable rojo (e) al borne positivo de la batería (b) utilizando uno de los tornillos hexagonales (a) y las tuercas cuadradas (b) que se extrajeron en el paso 1. Use un destornillador Philips (Figura 21).
3. Coloque el capuchón de caucho rojo por encima del borne positivo de la batería para protegerlo contra la corrosión (Figura 21 inserto).
4. Retire la cubierta plástica (c), si está presente, del borne negativo de la batería (f) y una el cable negro (g) al borne negativo de la batería (f) utilizando el tornillo hexagonal restante (a) y la tuerca cuadrada (b) (Figura 21).

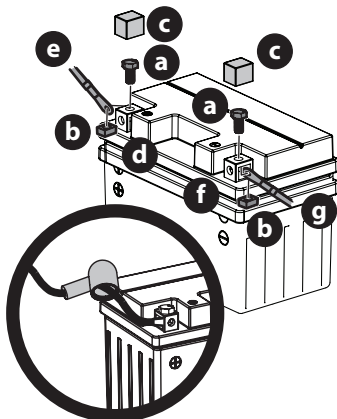


Figura 21

NOTA: si la batería se pone en funcionamiento después de la fecha indicada en su parte superior o al costado de la misma, cárguela siguiendo las instrucciones de la sección Carga de la Batería de este manual antes de operar el tractor.

Mantenimiento de la Batería

- Algunas baterías se llenan de ácido de batería y luego se sellan en la fábrica. Sin embargo, para asegurar un ciclo de vida adecuado es necesario realizar cierto mantenimiento, aún en las baterías 'sin mantenimiento'.
- Rocíe los terminales y el cable expuesto con un sellador de terminales de batería, o recubra los terminales con una capa delgada de grasa o vaselina para protegerlos contra la corrosión.
- Siempre mantenga limpios y libres de corrosión los cables y los terminales de la batería.
- Algunos modelos vienen equipados con una batería que contiene un electrolito líquido. Manipule la batería con cuidado y evite inclinarla para evitar fugas.

Almacenamiento de la Batería

- Cuando el tractor se guarda durante períodos prolongados, desconecte el cable negativo de la batería. No es necesario retirar la batería.
- Todas las baterías se descargan durante el almacenamiento. Mantenga el exterior de la batería limpio, especialmente la parte superior. Una batería sucia se descarga con mayor rapidez.
- La batería debe guardarse con carga completa. Una batería descargada se puede congelar más pronto que una batería cargada. Una batería con carga completa se guarda por más tiempo en temperaturas frías que en temperaturas altas.
- Vuelva a cargar la batería antes de volver a ponerla en servicio. Aun cuando el tractor pueda arrancar, el sistema de carga del motor tal vez no recargue totalmente la batería.

Retiro de la Batería

⚠ ADVERTENCIA

Los contactos, bornes y accesorios afines de las baterías contienen plomo y compuestos de plomo. Lávese las manos después de estar en contacto con estos componentes.

La batería está ubicada debajo del bastidor del asiento. Para retirar la batería:

1. Retire el tornillo hexagonal y la tuerca cuadrada que fijan el conductor negativo negro de la batería al borne negativo de la batería (marcado 'NEG' (-)). Aleje el cable del borne negativo de la batería.
2. Retire el tornillo hexagonal y la tuerca cuadrada que fijan el conductor positivo rojo de la batería al borne positivo de la batería (marcado 'POS' (+)).
3. Extraiga la barra de sujeción de la batería empujando el extremo de acoplamiento hacia afuera de la lengüeta de la tapa de protección que está a la derecha de la batería. Luego levante la barra de sujeción de la batería para liberar la batería (Figura 22).

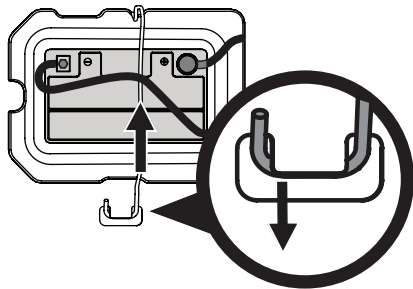


Figura 22

4. Levante con cuidado la batería para sacarla del tractor.
5. Instale la batería repitiendo los pasos anteriores en orden inverso.

Carga de la Batería

Si el tractor ha estado guardado durante un tiempo, pruebe la batería y, si es necesario, recárguela.

MODELOS CON BATERÍA DE ÁCIDO-PLOMO

- Una lectura del voltímetro o del comprobador de carga de 12,4 voltios (DC) o menos a través de los terminales de la batería indica que la batería necesita ser cargada.
- Debe utilizarse un cargador de batería de ácido-plomo. La tasa recomendada de carga es 4A/14.7V.
- Si su cargador de batería es automático, cargue la batería hasta que el cargador indique que se ha completado la carga. Si el cargador no es automático, cargue durante ocho (8) horas como mínimo.

MODELOS CON BATERÍA AGM

- Debe utilizarse un cargador de batería AGM. La tasa recomendada de carga es 1.1A/14.8V.

¡IMPORTANTE! NO use un cargador para automóviles.

- Si su cargador de batería es automático, cargue la batería hasta que el cargador indique que se ha completado la carga. Si el cargador no es automático, cargue durante ocho (8) horas como mínimo.

AJUSTE DEL ASIENTO

Para ajustar la posición del asiento, levante la palanca de ajuste del asiento. Deslice el asiento hacia adelante o hacia atrás hasta la posición deseada; luego suelte la palanca de ajuste. Asegúrese de que el asiento esté fijo en su posición antes de operar el tractor (Figura 23).

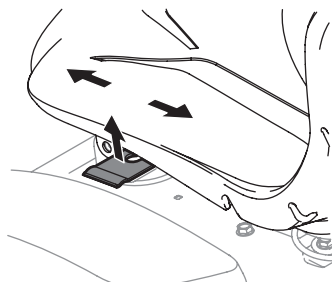


Figura 23

ACEITE

NOTA: su tractor se despacha con aceite en el motor. Sin embargo, usted DEBE controlar el nivel de aceite antes de hacerlo funcionar. Consulte en el manual del motor las instrucciones para controlar, agregar o cambiar el aceite.

⚠ PRECAUCIÓN

Controle siempre el nivel de aceite del motor antes de cada uso según se indica en el manual de funcionamiento del motor. Agregue aceite según sea necesario. De no hacerlo se pueden producir daños graves al motor.

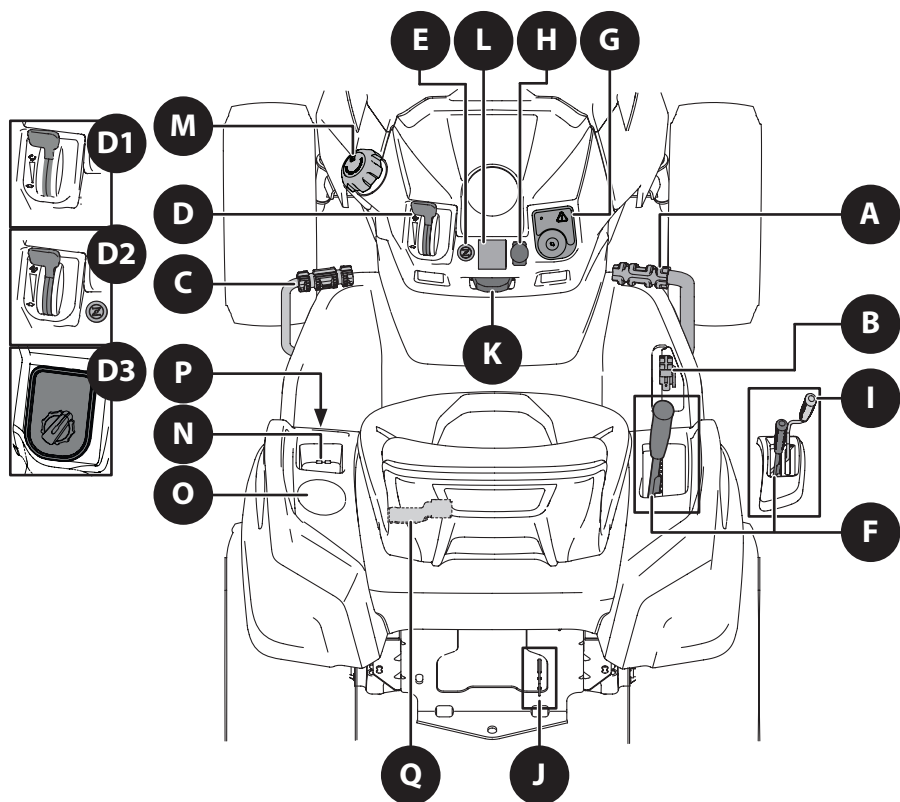


Figura 24

NOTA: este Manual del Operador corresponde a varios modelos. Las características del tractor pueden variar según los modelos. No todas las características que se incluyen en este manual se aplican a todos los modelos de tractor y la máquina que se ilustra aquí puede diferir de la suya.

NOTA: todas las referencias que contiene este manual a los lados derecho e izquierdo y trasero o delantero del tractor son siempre desde la posición de operación. Las excepciones, si las hubiere, serán especificadas.

A. PEDAL DE MARCHA ADELANTE

Presione el pedal de marcha adelante hacia adelante para que el tractor se mueva en esa dirección. Cuanto más se presione el pedal, más rápido se moverá el tractor. El pedal volverá a su posición original/neutral cuando no esté presionado.

B. PEDAL DE MARCHA ATRÁS

Presione el pedal de control de marcha atrás para que el tractor se desplace en esa dirección. Cuanto más se presione el pedal, más rápido se moverá el tractor. El pedal volverá a su posición original/neutral cuando no esté presionado.

C. PEDAL DE FRENO

Presione el pedal de freno mientras el tractor está en uso para detener el tractor y para aplicar el freno de mano.

NOTA: el pedal de freno debe estar totalmente presionado para encender el motor. Consulte más información en el Sistema de Enclavamiento de Seguridad.

D. PALANCA DE CONTROL DEL ACELERADOR/CEBADOR O CONTROL DEL ACELERADOR O CONTROL ELECTRÓNICO DEL REGULADOR

- 1. Palanca de Control del Acelerador Cebador (si se incluye)** - Empuje la palanca de control del acelerador/cebador hacia adelante para aumentar la velocidad del motor. El tractor está diseñado para que funcione con la palanca de control del acelerador/cebador en aceleración máxima FAST (rápido) cuando se conduce el tractor y se engancha la plataforma del tractor. Tire de la palanca de control del acelerador/cebador hacia atrás para reducir la velocidad del motor. Cuando arranque el motor, empuje la palanca de control totalmente hacia adelante a la posición CHOKE (cebador). Después de arrancar y calentar el motor, mueva la palanca de control hacia atrás hasta que sienta que pasa el bloqueador/cebador. El objetivo del acelerador no es controlar la velocidad de la unidad, sino que debe permanecer a alta velocidad mientras se operan las cuchillas.

2. Control del Acelerador (si se incluye) - Empuje la palanca de control del acelerador hacia adelante para aumentar la velocidad del motor. El tractor está diseñado para que funcione con la palanca de control del acelerador en aceleración máxima FAST (rápido) cuando se conduce el tractor y se engancha la plataforma del tractor. Tire de la palanca de control del acelerador hacia atrás para reducir la velocidad del motor.

3. Control Electrónico del Regulador (si se incluye) - Cuando se lo coloca en determinada posición, se mantiene una velocidad de motor uniforme. El control electrónico del regulador tiene diversas entradas para mantener la velocidad del motor. Use la configuración "CUT" (Cortar) para tener un óptimo desempeño de corte en condiciones de corte normal. Use la configuración "POWER CUT" (Corte de potencia) para tener un óptimo desempeño en condiciones de corte pesado.

NOTA: si el tractor viene con un control electrónico del regulador, se lo puede encender a cualquier valor de velocidad del cuadrante y automáticamente lo ajustará en el valor deseado de velocidad de motor.

NOTA: al motor le podría llevar algunos segundos ajustar el valor a la velocidad de motor correcta. Esto es normal.

E. CONTROL DEL CEBADOR (SI SE INCLUYE)

El control del cebador determina la posición del cebador del motor. Tire de la perilla hacia afuera para cebar el motor; empuje la perilla hacia adentro para abrir el cebador. Si se incluyera, el control del cebador vendrá acompañado de un Control del acelerador (D2). Al estar tirado hacia afuera, el control del cebador cierra el cebador para un encendido en frío. Una vez encendido, siempre haga funcionar el motor con el control del cebador empujado bien hacia adentro.



F. PALANCA DE ELEVACIÓN DE LA PLATAFORMA

La palanca de elevación de la plataforma se usa para subir o bajar la plataforma. Tire de la palanca hacia la izquierda para sacarla de la muesca de posicionamiento y empuje hacia abajo para bajar la plataforma o hacia arriba para subirla. Cuando se alcance la altura deseada, mueva la palanca de elevación a la derecha hasta que quede bien enganchada en la muesca de posicionamiento.

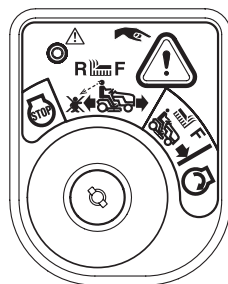
G. INTERRUPTOR DE ENCENDIDO

Arranque con Llave (si se incluye)

⚠ ADVERTENCIA

Nunca deje una máquina en funcionamiento sin vigilancia. Siempre desconecte la toma de fuerza (PTO), ponga el freno de mano, detenga la máquina y retire la llave para evitar la operación no autorizada.

Consulte información sobre cómo arrancar el motor en la sección Arranque del Motor. Consulte instrucciones sobre cómo detener el motor en la sección Detención del Motor.



⚠ PRECAUCIÓN

Antes de utilizar el tractor, consulte el Sistema de Enclavamiento de Seguridad y el Arranque del Motor en la sección de Funcionamiento de este manual para ver instrucciones detalladas sobre el módulo del interruptor de encendido y del funcionamiento del tractor en el MODO PRECAUCIÓN MARCHA ATRÁS.

PBS (arranque con botón pulsador)/Avisador de Servicio y Medidor Horario (si se incluye)

⚠ ADVERTENCIA

Nunca deje una máquina en funcionamiento sin vigilancia. Siempre desconecte la toma de fuerza (PTO), ponga el freno de mano, detenga la máquina y retire la llave para evitar la operación no autorizada.

NOTA: si se presiona el botón MODO PRECAUCIÓN MARCHA ATRÁS durante el encendido, se interrumpe la secuencia de encendido, y es necesario volver a iniciarla.

Para detener el motor, presione o extraiga la llave de encendido.

Cuando se inserta y se oprime la llave de encendido durante menos de 0.5 segundos, el LCD avisador de servicio y medidor horario mostrará brevemente la tensión de la batería, seguido de las horas acumuladas del tractor.

NOTA: las horas de funcionamiento del tractor se registran solamente cuando el motor está funcionando.

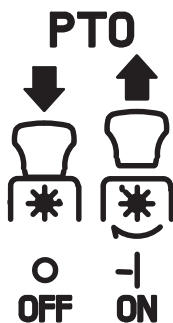
El LCD avisador de servicio le recuerda al operador los intervalos de mantenimiento para el cambio del aceite del motor, el servicio del filtro de aire, y emite advertencias de bajo nivel de aceite del motor y nivel alto o bajo de la batería.



H. INTERRUPTOR DE TOMA DE FUERZA (PTO) (ENGANCHE DE CUCHILLAS) (PTO ELÉCTRICA) (SI SE INCLUYE)

El interruptor PTO (enganche de cuchillas) hace funcionar el embrague de la PTO eléctrica que está montado en la base del cigüeñal del motor. Tire de la perilla del interruptor hacia arriba para enganchar el embrague de la PTO, o empuje la perilla hacia adentro para desactivar el embrague.

Al arrancar el motor, el interruptor PTO (enganche de cuchillas) debe estar en posición OFF (Desactivado). Consulte información e instrucciones sobre cómo usar la PTO en la sección Activación de la PTO (PTO eléctrica).



I. PALANCA DE PTO (ENGANCHE DE CUCHILLAS) (PTO MANUAL)

Al activar la palanca PTO (enganche de cuchillas), se transmite energía a la plataforma de corte o a otros accesorios (disponibles por separado). Consulte información e instrucciones sobre cómo usar la PTO en la sección Activación de la PTO (enganche de cuchillas) (Tractores con PTO manual).

J. VARILLA DE DERIVACIÓN DE LA TRANSMISIÓN

Cuando se engancha, la varilla abre una derivación dentro de la transmisión hidrostática, lo cual permite empujar el tractor a mano distancias cortas. Consulte en la sección Configuración las instrucciones para el uso de la función de derivación.



⚠ PRECAUCIÓN

Nunca remolque su tractor. Si se remolca el tractor con las ruedas traseras apoyadas en el suelo se pueden causar daños graves a las transmisiones.

K. PALANCA DEL FRENO DE MANO/CONTROL DE CRUCERO

La palanca del freno de mano/control de crucero se usa para activar el freno de mano y el control de crucero. Consulte la sección Conducción del Tractor de este manual para ver instrucciones detalladas sobre el freno de mano.

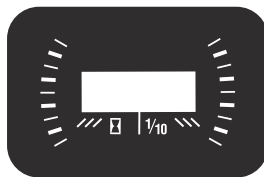


NOTA: si el operador abandona el asiento y deja el motor funcionando, deberá colocar el freno de mano, o el motor se apagará de forma automática.

NOTA: el control de crucero NO podrá activarse a la velocidad absoluta más rápida del tractor.

L. LCD AVISADOR DE SERVICIO Y MEDIDOR HORARIO (SI SE INCLUYE)

El recordatorio de servicio LCD y el contador de horas (si está equipado) le recordarán al operador los intervalos de mantenimiento para el cambio de aceite del



motor, el servicio del filtro de aire, la baja presión del aceite del motor y las advertencias de batería baja. Cuando al llave se rota fuera de la posición STOP pero no está en la posición START, el LCD avisador de servicio y medidor horario mostrará brevemente la tensión de la batería, seguido de las horas acumuladas del tractor.

NOTA: cuando la llave de encendido está fuera de la posición STOP, el símbolo del reloj de arena se iluminará/parpadeará para indicar que está registrando las horas de funcionamiento del tractor, al margen de que se haya encendido o no el motor.

Cambiar Aceite

La pantalla LCD alternará las letras "CHG" (cambiar), seguidas de las letras "OIL" (aceite), seguidas de las letras "SOON" (pronto), y luego finalmente seguidas por el tiempo acumulado del medidor. "CHG/OIL/SOON/TIME" se alternarán en la pantalla durante 7 minutos después de que el medidor llegue a 50 horas. Este intervalo del avisador de servicio de aceite se producirá cada 50 horas. Antes de que finalice el intervalo, cambie el aceite del motor según se indica en este Manual del operador del motor.

Baja Presión de Aceite

NOTA: la función de baja presión de aceite solo funciona si el motor tiene un interruptor de presión de aceite.

En la pantalla LCD aparecen alternadas las letras "LO" (nivel baja presión) seguidas de las letras "OIL" (aceite), seguidas luego del tiempo acumulado del medido, lo que indica que el motor tiene baja presión de aceite. Esto es común se enciende un motor. El indicador permanecerá activo hasta que el motor acumule presión después de encenderse. Si el indicador permanece encendido cuando el motor está a máxima velocidad y después de que hayan transcurrido unos pocos minutos de funcionamiento, detenga el tractor de inmediato, controle el nivel de aceite del motor y agregue aceite según las instrucciones del Manual del operador del motor. Si el nivel de aceite es correcto y el indicador sigue encendido, comuníquese con un distribuidor de servicio autorizado.

Nivel Bajo de Batería

Al arrancar, se visualiza fugazmente la tensión de la batería y luego cambia a horas acumuladas. Aparecen las letras "LO" (nivel bajo), seguidas de las letras "BATT" (batería), seguidas luego del tiempo acumulado del medidor. "LO/BATT/TIME" se muestra en la pantalla LCD cuando la tensión cae por debajo de 11.5 voltios. Cuando esto ocurre, significa que se debe cargar la batería o que el sistema de carga del motor no genera suficiente amperaje. Cargue la batería como se indica en la sección Carga de la Batería de este manual o haga controlar el sistema de carga por su distribuidor de servicio local.

Servicio del Filtro de Aire

En la pantalla LCD aparecen las letras "CLN" (limpiar), seguidas de las letras "AIR" (aire), seguidas por "FILT" (filtro), seguidas luego del tiempo acumulado del medidor. "CLN/AIR/FILT/TIME" se alternarán en la pantalla durante 7 minutos después de que el medidor llegue a 25 horas. Este intervalo del avisador de servicio del filtro de aire será cada 25 horas. En intervalos que son comunes con el servicio del aceite, aparece el mensaje del aceite primero seguido por el mensaje del filtro de aire.

M. TAPÓN DEL DEPÓSITO DE COMBUSTIBLE

Gire el tapón del depósito de combustible al menos dos clics en el sentido contrario a las agujas del reloj y tire hacia arriba para extraerlo. El tapón está amarrado al depósito de combustible para impedir que se pierda. No intente retirar el tapón del depósito de combustible. Llene el depósito hasta 1/2" (12.7 mm) por debajo de la base del cuello de llenado para dejar un poco de espacio en el depósito para la expansión del combustible. No llene en exceso el depósito de combustible. El depósito de combustible tiene una capacidad aproximada de 2.5 (9.46 litros) (solo motores EFI) o 3 galones (11.35 litros) de gasolina.

Empuje el tapón hacia abajo sobre el cuello de llenado del depósito de combustible y gírelo en el sentido de las agujas del reloj al menos dos clic para ajustarlo. Siempre vuelva a colocar el tapón firmemente en el depósito de combustible antes de extraerlo.

ADVERTENCIA

Nunca llene el depósito de combustible si el motor está en funcionamiento. Si el motor está caliente por haber funcionado hasta hace poco, déjelo enfriar al menos cinco minutos antes de volver a cargar combustible. La gasolina es muy inflamable y podría salpicar el motor y causar un incendio.

N. BANDEJA DE ALMACENAMIENTO

La bandeja de almacenamiento está ubicada a la izquierda del asiento del operador.

O. PORTAVASOS

El portavasos está ubicado a la izquierda del asiento del operador.

P. PEDAL DE BLOQUEO DEL DIFERENCIAL (SI SE INCLUYE)

La activación del bloqueo del diferencial aumenta la tracción al mantener la misma velocidad de ruedas en las ruedas traseras. Consulte la sección Uso del Bloqueo del Diferencial (si se incluye) para obtener más información sobre el uso del bloqueo del diferencial.

Q. PALANCA DE AJUSTE DEL ASIENTO

La palanca de ajuste del asiento permite el ajuste del asiento del operador hacia adelante o hacia atrás. Consulte la sección Configuración para ver instrucciones sobre cómo ajustar la posición del asiento.

FAROS (NO SE MUESTRAN)

En los tractores de encendido con llave, las luces se ENCIENDEN cada vez que se saca la llave de ignición de la posición STOP (detención). Las luces se apagan (OFF) cuando se coloca la llave de encendido en la posición STOP.

En los tractores con PBS, las luces están ENCENDIDAS cada vez que se enciende el módulo PBS. Los faros pueden activarse durante 15 segundos sin estar en el asiento presionando una vez la llave de encendido. Para mantener los faros activos usted se puede sentar en el asiento o bien encender/hacer funcionar el motor.

FUNCIONAMIENTO

Antes de hacer funcionar el tractor

- Este manual para los servicios programados habitualmente.
- Se certifica que este motor funciona únicamente con gasolina normal sin plomo, nueva y limpia. Llene únicamente con gasolina sin plomo, nueva y limpia, en un surtidor que indique un octanaje igual a 87 o más.
- No use gasolina que haya quedado de la temporada anterior, para minimizar la formación de depósitos de goma en el sistema de combustible.
- El gasohol (hasta 10% de alcohol etílico, 90% de gasolina sin plomo por volumen) es un combustible aprobado. No se aprueba el uso de otras mezclas de gasolina/alcohol.
- El éter metílico terciario-butílico (MTBE) y las mezclas de gasolina sin plomo (hasta un máximo de 15% de MTBE por volumen) son combustibles aprobados. No se aprueba el uso de otras mezclas de gasolina/éter.

Sistema de Enclavamiento de Seguridad

ADVERTENCIA

NO opere el tractor si el sistema de enclavamiento de seguridad funciona mal. Este sistema fue diseñado para brindarle seguridad y protección.

Este tractor está equipado con un sistema de enclavamiento de seguridad para protección del operador. Si el sistema de enclavamiento funciona mal, no se debe hacer funcionar el tractor. Comuníquese con un distribuidor de servicio autorizado.

- El sistema de enclavamiento de seguridad impide que el motor arranque o se encienda a menos que esté colocado el freno de mano, o que el operador esté en el asiento y el pedal de freno esté totalmente presionado, con el interruptor PTO (enganche de cuchillas) o la palanca PTO (enganche de cuchillas) en la posición desacoplada (OFF).
- Si el operador abandona su asiento antes de colocar el freno de mano, el motor se apagará automáticamente.
- El motor se apagará automáticamente si el operador abandona el asiento del tractor con el interruptor PTO (enganche de cuchillas) o la palanca PTO (enganche de cuchillas) en la posición ACOPLADA (ON), independientemente de si el freno de mano está puesto o no.

- Con la llave de encendido en la posición de CORTE NORMAL, el embrague de la PTO (enganche de cuchillas) eléctrica se desconectará automáticamente si el interruptor PTO (enganche de cuchillas) o la palanca PTO (enganche de cuchillas) se coloca en posición ACOPLADA (ON) con el pedal de transmisión en marcha atrás.

Control de los Circuitos del Enclavamiento de Seguridad

Controle periódicamente los circuitos del enclavamiento de seguridad para estar seguro de que funcionan adecuadamente. Si algún circuito de seguridad no funciona según el diseño, póngase en contacto con el distribuidor de servicio autorizado para que inspeccione el tractor. NO use el tractor si algún circuito de seguridad no está funcionando adecuadamente. Para controlar los circuitos de seguridad proceda de la siguiente manera:

1. Con el motor apagado y sentado en el asiento, coloque el control de PTO (interruptor PTO o palanca PTO) en la posición ACOPLADA (ON). Gire el interruptor de encendido a la posición START (arranque) momentáneamente; el motor no debería intentar arrancar.
2. Con el tractor en marcha, y el freno de mano no aplicado, levante hacia arriba desde el asiento del operador. El motor debería detenerse.
3. Con el freno de mano activado, encienda la PTO. Levante hacia arriba desde el asiento del operador; el motor debería detenerse.

Arranque del Motor

PRECAUCIÓN

El operador debe estar sentado en el asiento del tractor al arrancar el motor.

Continúe con la sección de abajo para encendidos con llave, salte a la sección Encendido con PBS para encendidos con botón pulsador.

ENCENDIDO CON LLAVE CON CONTROL DE ACELERADOR Y CEBADOR SEPARADO

1. Inserte la llave de encendido en el interruptor de encendido.
2. Coloque el interruptor PTO (enganche de cuchillas) o la palanca PTO (enganche de cuchillas) en la posición OFF.
3. Ponga el freno de mano del tractor.
4. Active el control del cebador (si se incluye).

NOTA: si el motor está caliente, tal vez no sea necesario cebar el motor.

5. Mueva la palanca de control del acelerador a distancia media entre las posiciones de velocidad RÁPIDA y LENTA.

NOTA: cuando haga funcionar el tractor asegúrese de que la palanca del acelerador esté siempre en la posición FAST (rápida).

6. Gire la llave de encendido en el sentido de las agujas del reloj hasta la posición START (encendido). Una vez que arranque el motor, suelte la llave. Volverá a la posición de NORMAL MOWING MODE (corte normal).

PRECAUCIÓN

NO mantenga la llave en la posición START (arranque) durante más de diez segundos por vez. Si lo hace, puede ocasionar daños al arrancador eléctrico del motor.

7. A medida que el motor se calienta, desactive el control del cebador. No utilice el cebador para enriquecer la mezcla de combustible, excepto cuando sea necesario para arrancar el motor.
8. Deje que el motor funcione unos cuantos minutos a una aceleración intermedia antes de somerlo a carga.

NOTA: cuando haga funcionar el tractor asegúrese de que la palanca del acelerador esté siempre en la posición FAST (rápida).

9. Observe el medidor horario/panel indicador. Si la luz indicadora de la batería o la luz de presión de aceite se enciende, detenga el motor inmediatamente. Haga revisar el tractor por su distribuidor de servicio autorizado.

NOTA: cuando el motor no esté funcionando, no habrá presión de aceite, lo cual podría ser indicado por la luz de presión de aceite.

ENCENDIDO CON LLAVE CON CONTROL DE ACELERADOR/ CEBADOR

1. Inserte la llave de encendido en el interruptor de encendido.
2. Coloque el interruptor PTO (enganche de cuchillas) o la palanca PTO (enganche de cuchillas) en la posición OFF.
3. Ponga el freno de mano del tractor.
4. Empuje el control del acelerador hacia arriba, hasta pasar la posición de bloqueo, para activar el cebador.

NOTA: si el motor está caliente, tal vez no sea necesario cebar el motor.

5. Gire la llave de encendido en el sentido de las agujas del reloj hasta la posición START (encendido). Una vez que arranque el motor, suelte la llave. Volverá a la posición de NORMAL MOWING MODE (corte normal).

PRECAUCIÓN

NO mantenga la llave en la posición START (arranque) durante más de diez segundos por vez. Si lo hace, puede ocasionar daños al arrancador eléctrico del motor.

6. Medida que se calienta el motor, gradualmente tire de la palanca de control del acelerador/cebador hacia atrás hasta pasar la posición de bloqueo del cebador. No use la posición del cebador para enriquecer la mezcla de combustible, a menos que sea necesario para arrancar el motor.
7. Deje que el motor funcione unos cuantos minutos a una aceleración intermedia antes de somerlo a carga.

NOTA: cuando haga funcionar el tractor asegúrese de que la palanca del acelerador esté siempre en la posición FAST (rápida).

8. Observe el medidor horario/panel indicador. Si la luz indicadora de la batería o la luz de presión de aceite se enciende, detenga el motor inmediatamente. Haga revisar el tractor por su distribuidor de servicio autorizado.

NOTA: cuando el motor no esté funcionando, no habrá presión de aceite, lo cual podría ser indicado por la luz de presión de aceite.

ENCENDIDO CON LLAVE CON CONTROL ELECTRÓNICO DEL REGULADOR

1. Inserte la llave de encendido en el interruptor de encendido.
2. Coloque el interruptor PTO (enganche de cuchillas) o la palanca PTO (enganche de cuchillas) en la posición OFF.
3. Coloque el freno de mano del tractor.
4. Coloque el cuadrante del control electrónico del regulador en el valor deseado de velocidad del motor.

NOTA: si el tractor viene con un control electrónico del regulador, se lo puede encender a cualquier valor de velocidad del cuadrante y automáticamente lo ajustará en el valor deseado de velocidad de motor.

5. Gire la llave de encendido en el sentido de las agujas del reloj hasta la posición START (encendido). Una vez que arranque el motor, suelte la llave. Volverá a la posición NORMAL MOWING MODE (corte normal).

NOTA: al motor le podría llevar algunos segundos ajustar el valor a la velocidad de motor correcta. Esto es normal.

ENCENDIDO CON PBS

1. Coloque el interruptor PTO (enganche de cuchillas) o la palanca PTO (enganche de cuchillas) en la posición OFF y siéntese en el asiento. Para que funcione el encendido con PBS usted debe estar en el asiento.
2. Inserte la llave de encendido.
3. Coloque el freno de mano del tractor.
4. Mueva el control del acelerador a la posición FAST (rápido).
5. Presione y mantenga presionada la llave de encendido. Una vez que arranque el motor, suelte la llave. Regresará a una posición extendida.

NOTA: cuando haga funcionar el tractor asegúrese de que la palanca del acelerador esté siempre en la posición FAST (rápida). Funcionar con el acelerador a menos de máxima velocidad puede acortar la vida útil de la batería.

Arranque del Motor en Clima Frío

Al arrancar el motor a temperaturas cercanas o inferiores al punto de congelamiento, asegúrese de que se use aceite de motor de viscosidad correcta y que la batería tenga carga completa. Arranque el motor de la siguiente forma:

1. Asegúrese de que la batería se encuentre en buen estado. Una batería caliente tiene una capacidad de arranque mucho mayor que una batería fría.
2. Use combustible fresco para uso invernal. La gasolina para uso invernal tiene mayor volatilidad a los efectos de mejorar el arranque. No use gasolina que le haya quedado del verano.
3. Siga las instrucciones previas para Arrancar el motor.

Uso de Cables de Arranque para Encender el Motor

ADVERTENCIA

Las baterías contienen ácido sulfúrico y producen gases explosivos. Asegúrese de que el área esté bien ventilada, use guantes y protectores de ojos y evite chispas o llamas cerca de la batería.

Si la carga de la batería no es suficiente para dar arranque al motor, vuelva a cargar la batería. Si no dispone de un cargador de batería y debe arrancar el tractor, puede ser necesario usar una batería de urgencia. Conecte la batería de urgencia de la siguiente forma:

1. Conecte el extremo de un cable al terminal positivo de la batería del tractor que no funciona; luego conecte el otro extremo de ese cable al terminal positivo de la batería de urgencia.
2. Conecte un extremo del otro cable al terminal negativo de la batería de urgencia; luego conecte el otro extremo de ese cable al bastidor del tractor que no funciona, a la mayor distancia posible de la batería.
3. Arranque el tractor que no funciona según las instrucciones de arranque normales indicadas más arriba; luego desconecte los cables de puente en orden exactamente inverso al de la conexión.
4. Haga controlar y reparar el sistema eléctrico del tractor lo más pronto que fuere posible, para eliminar la necesidad de usar cables de puente para arrancarlo.

Detención del Motor

1. Si las cuchillas están enganchadas, coloque el interruptor PTO (enganche de cuchillas) o la palanca PTO (enganche de cuchilla) en la posición OFF.
2. Coloque el freno de mano del tractor.
3. Coloque el control del acelerador a distancia media entre las posiciones de velocidad RÁPIDA y velocidad LENTA.
4. Gire la llave de encendido en sentido contrario a las agujas del reloj hasta la posición STOP (detención) o, en las unidades con PBS, presione o extraiga la llave de encendido.

CONDUCCIÓN DEL TRACTOR

ADVERTENCIA

Todos los movimientos de los pedales de marcha adelante y marcha atrás y del pedal de freno deben ser lentos y suaves. El movimiento abrupto de los pedales de marcha o del pedal de freno puede afectar la estabilidad del tractor y podría hacer que el tractor se voltee, con el resultado de lesiones graves o incluso la muerte del operador.

1. Presione el pedal del freno para liberar el freno de mano. Mueva la palanca de control del acelerador hasta la posición FAST.

- Para conducir HACIA ADELANTE, presione lentamente el pedal de marcha adelante (a) hasta alcanzar la velocidad deseada (Figura 25).
- Para conducir MARCHA ATRÁS, verifique que el área de atrás esté despejada; luego presione lentamente hacia adelante el pedal de marcha atrás (b) hasta alcanzar la velocidad deseada (Figura 25).

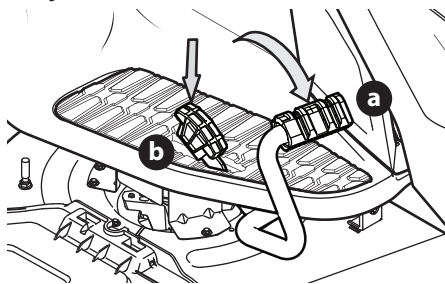


Figura 25

⚠ ADVERTENCIA

- Los giros bruscos pueden afectar el control del tractor. Conduzca SIEMPRE el tractor lentamente antes de realizar giros bruscos.
- No abandone el asiento del tractor sin antes colocar la PTO (enganche de cuchillas) en la posición DESACOPLADA (OFF) y aplicar el freno de mano. Si deja el tractor sin vigilancia, apague el motor y retire la llave de encendido.

APLICACIÓN DEL FRENO DE MANO

NOTA: si el operador abandona el asiento y deja el motor funcionando, deberá colocar el freno de mano, o el motor se apagará de forma automática.

Para poner el freno de mano:

- Presione el pedal del freno completamente hacia abajo con el pie izquierdo y manténgalo en esa posición.
- Presione la palanca del freno de mano/control de crucero hacia abajo y manténgala en esa posición.
- Retire el pie del pedal del freno.
- Afloje la presión sobre la palanca del freno de mano/control de crucero.

Después de completar el paso 3, el pedal de freno debe permanecer en posición abajo. Si no lo hace, el freno de mano no está activado. Repita los pasos 1 a 4 para activar el freno de mano.

Para desactivar el freno de mano, presione el pedal de freno.

ACCIONAMIENTO DEL CONTROL DE CRUCERO

⚠ ADVERTENCIA

No intente activar la palanca de control de crucero mientras se desplaza marcha atrás. El control de crucero no se accionará mientras conduce marcha atrás.

Para accionar el control de crucero:

- Presione el pedal de marcha adelante con el pie derecho hasta alcanzar la velocidad deseada.
- Presione la palanca del freno de mano/control de crucero hacia abajo y manténgala en esa posición.
- Retire el pie del pedal de marcha adelante.
- Afloje la presión sobre la palanca del freno de mano/control de crucero.

El pedal de marcha adelante debería permanecer en la posición hacia abajo y el tractor mantendrá la misma velocidad de marcha adelante. Si no lo hace, el control de crucero no está activado. Repita los pasos 1 a 4 para activar el control de crucero.

Para desactivar el control de crucero, presione suavemente el pedal de marcha adelante o el pedal de freno.


MODO PRECAUCIÓN MARCHA ATRÁS

Modo Precaución Marcha Atrás (encendido con llave)

La posición MODO PRECAUCIÓN MARCHA ATRÁS del interruptor de encendido permite operar el tractor marcha atrás con la PTO (enganche de cuchillas) en la posición acoplada (ON).

NOTA: no se recomienda cortar el césped en marcha atrás.

⚠ ADVERTENCIA

Tenga mucho cuidado cuando opere el tractor en MODO DE PRECAUCIÓN EN MARCHA ATRÁS.  Mire siempre hacia abajo y detrás de usted antes y durante el retroceso. No haga funcionar el tractor cuando haya niños u otras personas cerca. Detenga el tractor inmediatamente si alguien se acerca.

Para usar el MODO PRECAUCIÓN MARCHA ATRÁS:

NOTA: el operador DEBE estar sentado en el asiento del tractor.

- Ponga en marcha el motor como se indicó previamente.
- Gire la llave de encendido de la posición CORTE NORMAL (a) a la posición MODO PRECAUCIÓN MARCHA ATRÁS (b) del interruptor de encendido (Figura 26).

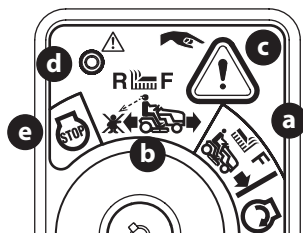


Figura 26

- Presione y sostenga el botón MODO PRECAUCIÓN MARCHA ATRÁS (c) que está en la esquina superior derecha del módulo de encendido durante 3 segundos. La luz indicadora roja (d) que está en el ángulo superior izquierdo del módulo de encendido se mantendrá ENCENDIDA mientras esté activada (Figura 26).

- Una vez activada (luz indicadora ENCENDIDA), se puede operar el tractor en marcha atrás con la PTO (enganche de cuchillas) en la posición acoplada (ON).
- Siempre mire hacia abajo y hacia atrás antes y mientras se desplaza lentamente en marcha atrás, para asegurarse de que no haya niños en el área. Luego de retomar la marcha hacia adelante, vuelva la llave a la posición de CORTE NORMAL (a) para volver a la operación de corte normal (Figura 26 en la página 58).

El MODO PRECAUCIÓN MARCHA ATRÁS (b) permanecerá activado hasta que:

- La llave se coloque ya sea en la posición CORTE NORMAL (a) o la posición STOP (detención) (e) (Figura 26).
- El operador abandone el asiento (PTO eléctrica)/se ponga el freno de mano (PTO manual).

Modo Precaución Marcha Atrás (encendido con PBS)

El MODO PRECAUCIÓN MARCHA ATRÁS permite operar el tractor marcha atrás con la PTO (enganche de cuchillas) en la posición acoplada (ON).

NOTA: no se recomienda cortar el césped en marcha atrás.

⚠ ADVERTENCIA

Tenga mucho cuidado cuando opere el tractor en MODO DE PRECAUCIÓN EN MARCHA ATRÁS. Mire siempre hacia abajo y detrás de usted antes y durante el retroceso. No haga funcionar el tractor cuando haya niños u otras personas cerca. Detenga el tractor inmediatamente si alguien se acerca.

Para usar el MODO PRECAUCIÓN MARCHA ATRÁS:

NOTA: el operador DEBE estar sentado en el asiento del tractor.

- Ponga en marcha el motor como se indica arriba.
- Mantenga presionado el botón MODO PRECAUCIÓN MARCHA ATRÁS durante 3 segundos. La luz indicadora parpadeará durante 3 segundos y permanecerá encendida cuando se active el MODO PRECAUCIÓN MARCHA ATRÁS (Figura 27).
- La luz indicadora ubicada encima del MODO PRECAUCIÓN MARCHA ATRÁS estará ENCENDIDA mientras este modo esté activado (Figura 27).

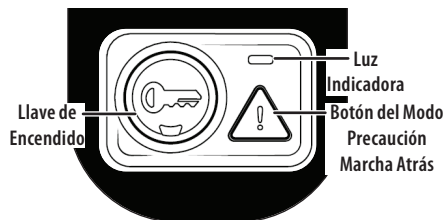


Figura 27

- Una vez activado (luz indicadora ENCENDIDA), se puede operar el tractor en marcha atrás con la PTO (enganche de cuchillas) en la posición acoplada (ON).

- Siempre mire hacia abajo y hacia atrás antes y mientras opera en marcha atrás, para asegurarse de que no haya niños en el área. Una vez retomado el movimiento hacia adelante, presione el botón MODO PRECAUCIÓN MARCHA ATRÁS para volver al modo CORTE NORMAL.

El MODO PRECAUCIÓN MARCHA ATRÁS permanecerá activado hasta que:

- Se vuelva a presionar el botón MODO PRECAUCIÓN MARCHA ATRÁS.
- Se presione o quite la llave de encendido.
- El operador abandone el asiento.

ACTIVACIÓN DE LA PTO (ENGANCHE DE CUCHILLAS)

Tractores con PTO eléctrica

Al activar la PTO (enganche de cuchillas) se suministra alimentación a la plataforma de corte o a otros accesorios (disponibles por separado). Para activar la PTO:

- Mueva el acelerador a la posición de velocidad RÁPIDA.
- Tire del interruptor PTO (enganche de cuchillas) hacia afuera hasta la posición acoplada (ON) (H en Figura 24 en la página 52).

NOTA: cuando opere el tractor, asegúrese de que el acelerador esté siempre en la posición FAST (rápido). Funcionar con el acelerador a menos de máxima velocidad puede acortar la vida útil de la batería y producir un corte de mala calidad.

- Para desactivar la PTO (enganche de cuchillas), empuje el interruptor PTO hacia adentro a la posición desacoplada (OFF).

Tractores con PTO manual

Al activar la PTO (enganche de cuchillas) se suministra alimentación a la plataforma de corte o a otros accesorios (disponibles por separado). Para activar la PTO:

- Mueva el acelerador a la posición de velocidad RÁPIDA.
- Empuje la palanca PTO (enganche de cuchillas) hacia adelante hasta la posición acoplada (ON) (Figura 28).

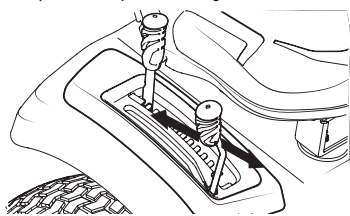


Figura 28

NOTA: cuando opere el tractor, asegúrese de que el acelerador esté siempre en la posición FAST (rápido). Funcionar con el acelerador a menos de máxima velocidad puede acortar la vida útil de la batería y producir un corte de mala calidad.

- Para desactivar la PTO (enganche de cuchillas), empuje la palanca hacia adelante y hacia la derecha, sacándola de la posición bloqueada, luego suelte la palanca en la posición desacoplada (OFF).

CORTE DEL CÉSPED

ADVERTENCIA

Para ayudar a evitar el contacto con las cuchillas o una lesión por algún objeto que sea arrojado, mantenga a las personas que lo observan, a los ayudantes, niños y mascotas alejados al menos 75 pies (23 metros) de la máquina mientras está en funcionamiento. Pare la máquina si alguien ingresa a la zona.

ADVERTENCIA

Asegúrese de que el área donde se va a cortar esté libre de desechos, ramitas, piedras, cables u otros objetos que puedan ser arrojados por las cuchillas rotativas.

NOTA: no accione la plataforma de la cortadora cuando esté apoyada sobre el césped. Se produce el desgaste prematuro y la posible falla de la correa en "V" y del embrague de la PTO. Antes de accionar la plataforma de la cortadora, levante totalmente la plataforma o lleve la máquina a un área donde no haya césped.

- Corte hacia arriba y abajo de las pendientes, no en forma transversal. Si corta el césped en pendiente, comience por la base y desplácese hacia arriba para asegurar que siempre se gire cuesta arriba.
- No corte a alta velocidad absoluta, especialmente si tiene instalado un kit de abono o un colector de césped.
- No corte el césped demasiado corto. El césped corto fomenta el crecimiento de maleza y se pone amarillo rápidamente cuando escasea la lluvia.
- Siempre haga funcionar el tractor con el acelerador en la posición FAST (rápido) mientras corta el césped.
- Al realizar la primera pasada elija un punto del lado opuesto del área a cortar. Siga el punto para mantener una línea recta.
- Active PTO y mueva el control del acelerador o del acelerador/cebador a la posición FAST (rápido).
- Baje la plataforma de corte al ajuste de altura deseado.
- Para obtener los mejores resultados, se recomienda realizar las dos primeras vueltas de corte con la descarga hacia el centro. Después de las dos primeras pasadas, cambie la dirección para arrojar la descarga hacia afuera, para equilibrar el corte. Esto otorgará un mejor aspecto al césped.

NOTA: la velocidad del tractor afecta la calidad del corte que realiza la cortadora. Si realiza el corte a máxima velocidad la calidad se ve afectada negativamente.

- Su tractor fue diseñado para cortar césped residencial normal, con una altura no mayor de 10 pulgadas (25 cm). No intente cortar césped demasiado crecido, seco (como un pastizal) ni pilas de hojas secas. El césped o las hojas que estén secos pueden entrar en contacto con el escape del motor y/o acumularse en el tractor.
- NO intente cortar malezas frondosas o césped sumamente alto. El tractor fue diseñado para cortar el césped, NO para podar malezas.
- Mantenga las cuchillas afiladas y cámbielas cuando se gasten.

- Cuando se acerque al otro extremo de la franja, reduzca la velocidad o deténgase antes de girar. Se recomienda un giro de tres puntos.
- Alinee el tractor con un borde de la franja cortada y superponga la pasada aproximadamente 3" (7.6 cm).
- Oriente el tractor en cada franja subsiguiente de modo que se alinee con la franja ya cortada.
- Para evitar la formación de surcos o ranuras en el césped, en lo posible varíe la dirección de las franjas de corte aproximadamente 45° en cada corte subsiguiente.

Siempre que detenga el tractor por cualquier razón en un área de césped, haga lo siguiente:

- Coloque el freno de mano.
- Apague el motor y extraiga la llave de encendido.
- Eso permitirá reducir al mínimo la posibilidad de que su césped resulte "quemado" por el escape caliente del motor en funcionamiento.

USO DEL BLOQUEO DEL DIFERENCIAL (SI SE INCLUYE)

ADVERTENCIA

- Cuando el bloqueo del diferencial esté activado, asegúrese de calcular un radio de giro y un esfuerzo de la dirección mayores.
- Active el bloqueo del diferencial solamente cuando el vehículo funcione al ralentí. No utilice el bloqueo del diferencial al descender una pendiente.
- Estando o no accionado el bloqueo del diferencial, deben seguirse todas las Medidas de Seguridad indicadas en este manual.

NOTA: el sistema únicamente debería usarse cuando hay poca tracción. Se debe desactivar cuando el vehículo se desplace por superficies sólidas.

En algunos casos, el tractor se puede manejar en terrenos resbaladizos o en situaciones de baja tracción, y puede ser necesario activar el bloqueo del diferencial. Para usar el bloqueo del diferencial, proceda de la siguiente manera:

1. Detenga el movimiento del tractor.
2. Presione el pedal para activar el bloqueo del diferencial para accionarlo.

NOTA: el bloqueo del diferencial solo funciona cuando el pedal está presionado.

NOTA: la activación podría demorarse. El bloqueo del diferencial se activará cuando se detecten diferentes velocidades de las ruedas.

NOTA: la desactivación podría demorarse. El bloqueo del diferencial se desactivará cuando las velocidades de las ruedas traseras lo permitan.

3. Para desactivar el bloqueo del diferencial, suelte el pedal.

CUIDADO DEL PRODUCTO

PROGRAMA DE MANTENIMIENTO

ADVERTENCIA

Antes de realizar cualquier tipo de mantenimiento o servicio, desactive todos los controles y detenga el motor. Espere a que se detengan completamente todas las piezas móviles. Desconecte los cables de las bujías y el cable negativo de la batería para evitar un arranque involuntario. Utilice siempre anteojos de seguridad durante el funcionamiento o mientras ajusta o repara este equipo.

Siga el programa de mantenimiento que se presenta a continuación. En esta tabla sólo se describen pautas de servicio.

Consulte el Manual del operador del motor para obtener información sobre las tareas de mantenimiento del motor que se enumeran en la tabla a continuación.

	Antes de cada uso	Después de las rimeras 5 horas	Cada 10 horas	Cada 25 horas	Cada 50 horas	Cada 100 horas	Cada 200 horas	Antes de Imacendar	Consulte el Manual del motor
Verifique/limpie los filtros de admisión del motor y ventiladores de refrigeración #	✓							✓	
Verifique/limpie el colector de escape, tubo del silenciador y los protectores del silenciador #	✓							✓	
Verifique/limpie la parte de arriba y de abajo de la plataforma y debajo y alrededor de las cubiertas del husillo y área de correas #	✓							✓	
Verifique/limpie alrededor de los fusibles, cableado y mazos de cables #	✓							✓	
Verifique/limpie alrededor de la transmisión, eje y ventiladores #	✓							✓	
Revise si el filtro de aire está sucio, flojo o tiene piezas dañadas	✓								
Controle el nivel de aceite del motor	✓								
Limpie los terminales de la batería			✓					✓	
Engrase todos los puntos de lubricación			✓					✓	
Revise el filtro de admisión del motor/limpie según sea necesario			✓					✓	
Revise las cuchillas/afile o reemplace según sea necesario			✓					✓	
Verifique la presión de aire de los neumáticos			✓					✓	
Revise/limpie la parte de abajo de la plataforma	✓		✓						
Controle el sistema de enclavamiento de seguridad			✓					✓	
Verifique el tiempo de detención de las cuchillas			✓					✓	
Inspeccione y lubrique las ruedas de la plataforma				✓				✓	
Control el nivel/inclinación de la plataforma				✓				✓	

CUIDADO DEL PRODUCTO

	Antes de cada uso	Después de las rimeras 5 horas	Cada 10 horas	Cada 25 horas	Cada 50 horas	Cada 100 horas	Cada 200 horas	Antes de Imacénar	Consulte el Manual del motor
Controle las correas y poleas para ver si están dañadas/desgastadas					✓				
Compruebe que todos los elementos de ferretería estén en su lugar y seguros						✓			
Compruebe el par de ajuste de los pernos de montaje (Ajuste hasta 325-450 pulgadas-libras (37-50 N-m))		✓			✓			✓	✓
Compruebe el par de ajuste de los pernos de montaje de las cuchillas (Ajuste hasta 70-90 pies-libras (95-122 N-m))		✓			✓			✓	
Controle el estado y la separación de la bujía de encendido						✓		✓	✓
Cambio del aceite de asentamiento del motor		✓							✓
Cambie el aceite del motor					✓			✓	✓
Controle el sistema de combustible (circuitos, depósito, tapón, accesorios)		✓			✓			✓	✓
Controle el amortiguador de chispas		✓			✓			✓	✓
Reemplace el filtro de aceite					✓			✓	✓
Limpie o cambie el filtro de aire					✓				✓
Reemplace el filtro de combustible					✓				✓
Haga revisar y ajustar la holgura de la válvula *									✓

* -- Haga hacer esto por un distribuidor autorizado.

-- Realice esta acción con mayor frecuencia en condiciones de sequía y/o cuando haga abono.

NOTA: este manual del operador corresponde a numerosos modelos. Las características del tractor pueden variar según los modelos. No todas las características que se incluyen en este manual se aplican a todos los modelos de tractor y la máquina que se ilustra aquí puede diferir de la suya.

CUIDADO DEL TRACTOR POSTERIOR AL FUNCIONAMIENTO

Cada vez que se utilice el tractor, se deben implementar los siguientes procedimientos para extender su vida útil y garantizar condiciones de operación seguras.

ADVERTENCIA

Si no se siguen estas recomendaciones, usted u otras personas pueden sufrir lesiones graves, o pueden producirse daños en el tractor.

LIMPIEZA DE LA PARTE INFERIOR DE LA PLATAFORMA

Sistema de Lavado de la Plataforma (si se incluye)

La plataforma de su tractor puede estar equipada con un puerto de agua sobre su superficie como parte del sistema de lavado de la plataforma.

Utilice el sistema de lavado de la plataforma para lavar la parte inferior de la plataforma y quitar los restos de césped recortado e impedir la acumulación de sustancias químicas corrosivas.

Realice los siguientes pasos DESPUÉS DE CADA CORTE DE CÉSPED:

1. Una el adaptador del pico a una manguera de jardín estándar conectada al suministro de agua.
2. Mueva el tractor a un lugar dentro del alcance de la manguera donde se puedan desechar los recortes de césped húmedos. Desconecte la PTO, aplique el freno de mano y detenga el motor.

CUIDADO DEL PRODUCTO

3. Tire del collarín de ajuste (a) del adaptador del pico (b) hacia atrás y empuje el adaptador del pico sobre el pico de lavado de la plataforma (c). Suelte el collarín de ajuste para trabar el adaptador del pico en el pico de lavado de la plataforma (Figura 29).

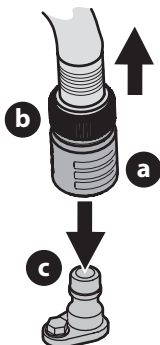


Figura 29

4. Abra el suministro de agua.
5. Desde el asiento del operador del tractor, encienda el motor y active la PTO. Deje funcionar según sea necesario. Desactive la PTO y detenga el motor.
6. Cierre el suministro de agua.
7. Tire del collarín de ajuste del adaptador del pico hacia atrás para desconectar el adaptador del pico del pico de lavado de la plataforma.

LIMPIEZA DEL TRACTOR

⚠ ADVERTENCIA

Si el tractor ha estado en funcionamiento recientemente, el motor, el silenciador y las superficies metálicas circundantes estarán muy calientes y pueden causar quemaduras en la piel. Deje que el motor se enfríe durante al menos cinco minutos. Tenga precaución para evitar quemaduras.

El tractor se debe limpiar después de cada uso y bajo ciertas condiciones; es decir, en condiciones secas y/o cuando se haga abono, puede ser necesario realizar limpiezas adicionales.

Una de las mejores maneras de mantener el funcionamiento eficiente de su tractor y reducir el riesgo de incendio es eliminar regularmente la acumulación de desechos del tractor. Siga las recomendaciones a continuación y contacte a su distribuidor autorizado si tiene alguna pregunta.

- Deje que el tractor se enfríe al menos cinco minutos en un área abierta antes de limpiarlo.

NOTA: no se recomienda el uso de una lavadora de presión ni de una manguera de jardín para limpiar el tractor, excepto para limpiar la parte inferior de la plataforma. Puede dañar los componentes eléctricos, los husillos, las poleas, los rodamientos o el motor. El uso de agua acortará la vida útil de la máquina y reducirá su capacidad de servicio.

- Limpie debajo del capó, incluyendo el colector de escape, alrededor de los fusibles, todo el cableado y mazos de cables, tubo del silenciador, protector del silenciador, filtros de admisión del motor y aletas de refrigeración, etc (Figura 30).

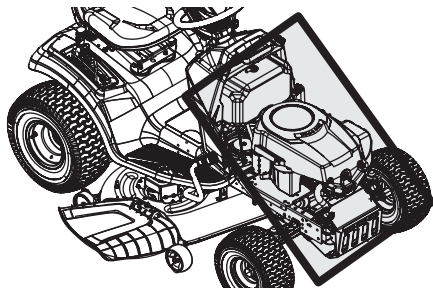


Figura 30

- Limpie la parte de arriba de la plataforma del tractor, debajo de las cubiertas del husillo y el área de la correa (Figura 31).

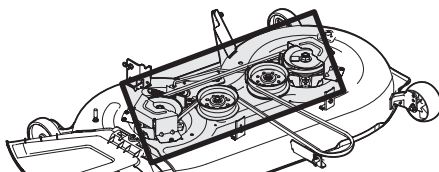


Figura 31

- Limpie alrededor y cerca de la transmisión, eje y área de ventiladores (Figura 32).

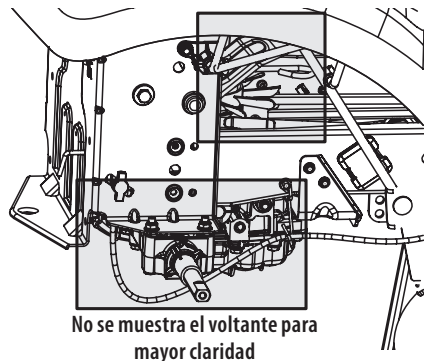


Figura 32

- Se pueden acumular residuos en cualquier parte del tractor, especialmente en superficies horizontales. Puede ser necesario realizar una limpieza adicional cuando corte césped en condiciones secas o cuando haga abono.
- Las fugas y los derrames de combustible o de aceite y la lubricación excesiva también pueden convertirse en lugares de acumulación de residuos. La reparación de las fugas y la limpieza inmediata de los derrames de aceite o de combustible pueden ayudar a reducir los riesgos de incendio.

CUIDADO DEL PRODUCTO

- Además de limpiar el tractor antes de utilizarlo y antes de guardarlo, no intente cortar césped demasiado crecido (de 10 pulgadas (25 cm) o más de altura), seco (como un pastizal) o pilas de hojas secas. El césped o las hojas que están secos pueden entrar en contacto con el escape del motor y/o acumularse en la plataforma del tractor presentando un potencial peligro de incendio.

ALMACENAMIENTO DEL TRACTOR

- Deje que el tractor se enfríe al menos cinco minutos en un área abierta antes de guardarlo.
- No estacione el tractor cerca de cualquier material inflamable (madera, ropa o productos químicos) o de llamas abiertas o cualquier otra fuente potencial de ignición (hornos, calentadores de agua u otros tipos de calefactores).
- Quite todos los materiales combustibles del tractor antes de guardarlo. Vacíe las cajas de carga y los colectores o contenedores de césped.
- Si el tractor está equipado con una válvula de corte de combustible, interrumpa siempre el flujo de combustible cuando almacene o transporte el tractor.
- Verifique frecuentemente el sistema de combustible (circuitos, tanque, tapón y accesorios) para ver si hay rajaduras o pérdidas. Repare y limpie según sea necesario.

NOTA: si el tractor se deja afuera de manera temporal, incline el asiento hacia adelante y cúbralo con una bolsa de plástico adecuada para evitar cualquier daño posible ocasionado por la lluvia.

MANTENIMIENTO

Motor

⚠ ADVERTENCIA

Deje que la máquina se enfríe en un lugar abierto al menos cinco minutos antes de almacenarla o de volver a cargarle combustible.

Consulte el Manual del operador del motor para obtener información sobre las preguntas y los problemas relacionados con el motor.

NOTA: el mantenimiento, la reparación o el reemplazo de los dispositivos y de los sistemas de control de emisiones que se estén realizando por cuenta del propietario pueden ser llevados a cabo por cualquier individuo o establecimiento especializados en reparación de motores. Los arreglos en garantía deben ser realizados por un distribuidor autorizado.

Cambio del aceite del motor

⚠ ADVERTENCIA

Si el tractor ha estado en funcionamiento recientemente, el motor, el silenciador y las superficies metálicas circundantes estarán muy calientes y pueden causar quemaduras en la piel. Deje que el motor se enfríe durante al menos cinco minutos. Tenga precaución para evitar quemaduras.

NOTA: el filtro de aceite se debe cambiar en cada intervalo de cambio de aceite.

Para realizar el cambio de aceite, proceda de la siguiente manera:

1. Haga funcionar el motor por un período corto para que el aceite del motor se caliente. El aceite fluirá mejor y limpiará las impurezas. Tenga cuidado y evite quemarse con el aceite caliente.
2. Abra el capó del tractor y ubique el orificio de drenaje de aceite a uno de los lados del motor.
3. Para recoger el aceite usado, coloque un recipiente adecuado para recolectar el aceite, con al menos una capacidad de 2.5 cuartos de galón (2.36 litros), debajo de la abertura del tubo de drenaje de aceite. Retire el tapón de llenado de aceite/la varilla de nivel de aceite del tubo de llenado.
4. Abra la tapita protectora del extremo de la válvula de drenaje para visualizar el orificio de drenaje (Figura 33).

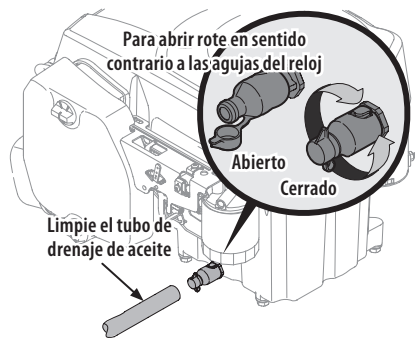


Figura 33

5. Presione el tubo de drenaje de aceite (que acompaña este manual) sobre el orificio de drenaje. Coloque el extremo libre de la manguera en un recipiente de recolección de aceite adecuado con una capacidad de por lo menos 2.5 cuartos de galón (2.36 litros) para recoger el aceite usado.
6. El motor está equipado con un orificio de drenaje de girar y tirar. Gire la válvula de drenaje de aceite 1/4 de vuelta hacia la izquierda, luego tire hacia afuera para comenzar a drenar el aceite. Cuando haya terminado de drenar el aceite, empuje el extremo de la válvula de drenaje de aceite hacia adentro y gírela 1/4 de vuelta en sentido de las agujas del reloj para cerrar el orificio de drenaje de aceite. Vuelva a colocar la tapita del extremo de la válvula para evitar que entren residuos en el orificio de drenaje.
7. Vuelva a colocar el filtro de aceite y cargue el motor con aceite nuevo según las instrucciones del Manual del operador del motor.
8. Reinstale el tapón de llenado de aceite/la varilla de nivel de aceite.

NOTA: coloque una toalla absorbente debajo del filtro de aceite para mantener el aceite fuera de la polea del motor.

NOTA: respete las leyes y reglamentaciones sobre la manera correcta de desechar gasolina, aceite, etc. para proteger el medio ambiente.

NOTA: el mantenimiento, la reparación o el reemplazo de los dispositivos y los sistemas del control de emisiones que se hagan por cuenta del propietario, pueden ser realizados por cualquier establecimiento o individuo especializado en reparaciones de motores. Los arreglos en garantía deben ser realizados por un distribuidor autorizado.

LUBRICACIÓN

⚠ ADVERTENCIA

Antes de lubricar, reparar o inspeccionar, desconecte siempre la toma de fuerza (PTO), ponga el freno de mano, pare el motor y retire la llave, para evitar el encendido accidental del motor.

Con un aceite lubricante de buena calidad, lubrique todos los puntos de lubricación. Consulte la tabla del Programa de mantenimiento que figura en este manual para conocer los intervalos de mantenimiento adecuados.

Lubricación de las ruedas delanteras

Cada uno de los ejes de la rueda delantera viene equipado con un accesorio de engrase (Figura 34). Algunos modelos tienen llantas equipadas con accesorios de engrase (excluye ruedas Turf Master y Multi-Trac) (Figura 35). Lubrique con una grasa multipropósito N° 2 aplicada con una pistola para grasa según el Programa de mantenimiento.

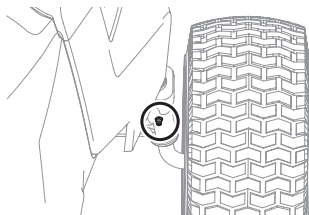


Figura 34

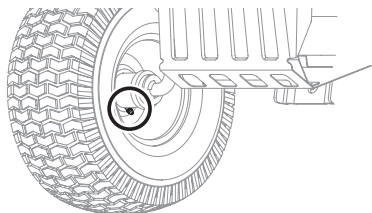


Figura 35

Lubricación de los puntos de pivote y varillaje

Lubrique todos los puntos de pivote del sistema de transmisión, freno de mano y varillaje de elevación según el Programa de mantenimiento.

NOTA: no es necesario engrasar la interfaz del piñón de la dirección/engranajes. Si lo hace, se acumulará suciedad en estas piezas, y esto puede afectar el rendimiento de la dirección.

TRANSMISIÓN HIDROSTÁTICA

La transmisión hidrostática viene sellada de fábrica y no requiere mantenimiento alguno. No se puede controlar el nivel de fluido ni se puede cambiar el líquido.

MANTENIMIENTO DEL AMORTIGUADOR DE CHISPAS (SI SE INCLUYE)

Los conjuntos de amortiguadores de chispas se deben inspeccionar y limpiar periódicamente (consulte la tabla de programa de mantenimiento que figura en este manual). Inspeccione visualmente el filtro para detectar roturas, cables rotos o soldaduras sueltas. Vuelva a colocar el conjunto de amortiguador de chispas si existen algunas de estas condiciones. Si el filtro está en buenas condiciones, límpielo cepillando para sacar la suciedad o partículas de carbono sueltas.

NEUMÁTICOS

Mantenga los neumáticos inflados a las presiones recomendadas. El inflado inadecuado de un neumático reduce su vida útil. Consulte los laterales de los neumáticos para averiguar las presiones de inflado adecuadas. Consulte la tabla del programa de mantenimiento que figura en este manual para conocer los intervalos de mantenimiento adecuados.

Respete las siguientes pautas:

- No infle los neumáticos por encima de la presión máxima que se muestra en el lateral del neumático.
- No vuelva a inflar un neumático que se ha utilizado desinflado o desinflado en extremo. Un gomero calificado debe inspeccionar y reparar el neumático.

ALMACENAMIENTO FUERA DE TEMPORADA

Si el tractor no va a funcionar por un período prolongado (desde treinta días hasta aproximadamente seis meses), se lo debe preparar para el almacenamiento. Guarde el tractor en un lugar seco y protegido. Si lo guarda afuera, cúbralo (incluidos los neumáticos) para protegerlo de los fenómenos climáticos. Cada vez que se prepara el tractor para dejarlo fuera de uso se deben realizar los procedimientos que se describen más abajo.

1. Cambie el aceite y el filtro del motor siguiendo las instrucciones suministradas en este manual, como así también el manual del motor entregado con este tractor.

⚠ ADVERTENCIA

Nunca guarde el tractor con combustible en el depósito en un lugar cerrado o con escasa ventilación, donde los gases del combustible pueden alcanzar llamas abiertas, chispas o una luz piloto como la de un horno, calentador de agua, secador de ropa, etc.

2. Si guarda el tractor por 30 días o más:
 - a. Para evitar que se formen depósitos de goma dentro del carburador del motor y posibles desperfectos en el motor, el sistema de combustible debe ser vaciado completamente, o se debe tratar la gasolina con un estabilizador para evitar el deterioro.

CUIDADO DEL PRODUCTO

- b. Uso de un estabilizador de combustible para almacenamiento de entre 30 y 90 días:
 - Lea las instrucciones y recomendaciones del fabricante del producto.
 - Agregue a la gasolina limpia y fresca la cantidad correcta de estabilizador para la capacidad (aproximadamente 2.5 (solo motores EFI) o 3 galones) del sistema de combustible.
 - Llene el depósito de combustible con combustible tratado y haga funcionar el motor 2-3 minutos para estabilizar el combustible dentro del carburador.
 - El combustible que queda en el depósito se deteriora y causa graves problemas de arranque.
- c. Vaciado del sistema de combustible para almacenamiento de más de 90 días:
 - Antes de guardar el tractor, observe el consumo de combustible a los efectos de hacer funcionar el tractor hasta que el depósito esté vacío.
 - Haga funcionar el motor hasta que comience a detenerse. Use el cebador para mantener el motor en funcionamiento hasta que se haya agotado todo el combustible del carburador.
 - Drene el combustible del recipiente del carburador, consultando el manual del motor.

3. Limpie perfectamente el motor y todo el tractor.

NOTA: no se recomienda el uso de una lavadora de presión ni de una manguera de jardín para limpiar el tractor, excepto para limpiar la parte inferior de la plataforma. Puede dañar los componentes eléctricos, los husillos, las poleas, los rodamientos o el motor. El uso de agua acortará la vida útil de la máquina y reducirá su capacidad de servicio.

4. Cargue totalmente la batería, luego desconecte el cable negativo de la batería para evitar posibles descargas. Vuelva a cargar la batería periódicamente durante el almacenamiento.

NOTA: retire la batería si ha estado expuesta a períodos prolongados de temperaturas inferiores al congelamiento. Guarde en un lugar fresco y seco, donde las temperaturas estén por encima del punto de congelamiento.

5. Lubrique todos los puntos de lubricación.

RETIRO DEL TRACTOR DEL LUGAR DE GUARDA

1. Inspeccione el aceite del motor.
2. Cargue totalmente la batería e infle los neumáticos a la presión recomendada. Consulte los laterales de los neumáticos para averiguar las presiones de inflado adecuadas.
3. Llene el depósito de combustible con gasolina limpia y nueva.
4. Arranque el motor y déjelo andar en ralentí unos cuantos minutos para asegurar que su funcionamiento sea adecuado.
5. Conduzca el tractor sin carga para estar seguro de que todos los sistemas del tractor funcionan correctamente.

AJUSTES

Nivelación de la plataforma

Si la plataforma de corte estuviera realizando el corte de césped de forma despareja, puede realizarse el ajuste de nivelación.

⚠ ADVERTENCIA

Si el tractor ha estado en funcionamiento recientemente, el motor, el silenciador y las superficies metálicas circundantes estarán muy calientes y pueden causar quemaduras en la piel. Deje que el motor se enfríe durante al menos cinco minutos. Tenga precaución para evitar quemaduras.

NOTA: controle la presión de neumáticos del tractor antes de realizar cualquier nivelación de la plataforma. Consulte información sobre la presión de los neumáticos en el título Neumáticos de esta sección.

Nivelación de la Plataforma (de lado a lado)

1. Con el tractor estacionado sobre una superficie firme y nivelada, coloque la palanca de elevación de la plataforma en la posición media y rote las dos cuchillas para que queden perpendiculares al tractor.
2. Mida la distancia desde la parte externa de la punta de la cuchilla izquierda hasta el piso, y desde la parte externa de la punta de la cuchilla derecha hasta el piso. Las dos mediciones obtenidas deben ser iguales. Si no lo son, prosiga con el paso siguiente.
3. Debajo de los guardabarros traseros dentro de las ruedas hay una varilla de ajuste de elevación para cada lado de la plataforma (Figura 36).

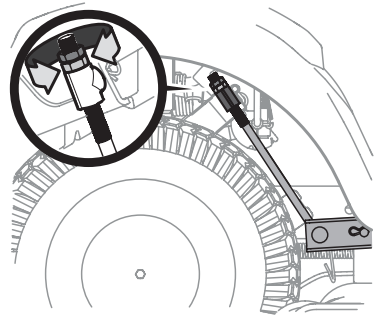


Figura 36

4. Los ajustes menores de lado a lado se deben hacer usando principalmente la varilla de ajuste izquierda.
5. Para elevar el lado izquierdo de la plataforma, afloje la tuerca superior del extremo de la varilla de elevación, y luego gire la tuerca inferior a la derecha. Cuando logra el ajuste correcto, apriete la tuerca superior para asegurarla en su lugar. Para bajar el lado izquierdo de la plataforma, afloje la tuerca superior del extremo de la varilla de elevación, luego gire la tuerca inferior a la izquierda. Cuando logre el ajuste correcto, apriete la tuerca superior hasta 25-30 pies-libras (34-40 N·m) para asegurarla en su lugar.

- La plataforma se encuentra correctamente nivelada cuando las dos mediciones tomadas antes desde las puntas de las cuchillas son iguales.

Nivelación de la plataforma (inclinación/de adelante hacia atrás)

El frente de la plataforma se apoya en una barra estabilizadora que se puede ajustar para nivelar la plataforma de adelante hacia atrás. El frente de la plataforma debe estar 1/4-3/8 pulgada (6.35mm-9.5 mm) más abajo que la parte trasera de la plataforma. De ser necesario, realice un ajuste de la siguiente manera:

- Con el tractor estacionado sobre una superficie firme y nivelada, coloque la palanca de elevación de la plataforma en la posición media y gire la cuchilla más cercana al canal de descarga para que quede paralela al tractor.
- Mida la distancia desde la parte delantera de la punta de la cuchilla hasta el suelo, y desde la parte posterior de la punta de la cuchilla hasta el suelo. El frente de la plataforma debe estar entre 1/4-3/8 pulgada (6.35-9.5 mm) más abajo que la parte posterior.
- Determine la distancia aproximada necesaria para un ajuste adecuado y, de ser necesario, proceda.
- Para **elevarel** frente de la plataforma, afloje la tuerca exterior y luego apriete (rosca hacia adentro) la tuerca contra el soporte de suspensión delantera (Figura 37). Cuando se logre el torque correcto, vuelva a apretar la tuerca exterior hasta 25-30 pies-libras (34-41 N-m).

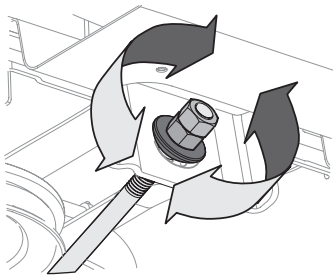


Figura 37

- Para **bajar** el frente de la plataforma, afloje la tuerca exterior y luego afloje (rosca hacia afuera) la tuerca interior, alejándola del soporte de suspensión delantera (Figura 37). Cuando se logre el ajuste correcto, vuelva a apretar la tuerca exterior.

AJUSTE DE LAS RUEDAS DE LA PLATAFORMA

⚠ ADVERTENCIA

Mantenga las manos y los pies alejados de la abertura de descarga de la plataforma de corte.

NOTA: las ruedas de la plataforma constituyen un mecanismo para el cuidado del césped y no fueron diseñadas para soportar el peso de la plataforma.

Las ruedas de la plataforma deben estar aproximadamente 1/4–1/2 pulgada (6.35 mm-12.7 mm) por encima del suelo cuando la plataforma se fija en el valor de altura deseado. Para ajustar las ruedas de la plataforma, consulte las instrucciones en la sección Configuración.

SERVICIO

Sistema eléctrico

El tractor tiene instalado un fusible para proteger el sistema eléctrico de los daños causados por el exceso de amperaje. Siempre reemplace con fusibles de la misma capacidad. Si el sistema eléctrico no funciona, controle si hay un fusible quemado.

Si se repite el problema de los fusibles quemados, haga que el distribuidor de servicio autorizado de su localidad revise el sistema eléctrico del tractor.

Relés e interruptores

Hay varios interruptores de seguridad en el sistema eléctrico. Si una función del sistema de enclavamiento de seguridad descrito antes no funciona adecuadamente, haga que el distribuidor de servicio autorizado revise el sistema eléctrico.

Ajuste del Freno de Mano

Si el tractor no se detiene por completo cuando se presiona totalmente el pedal del freno, o si las ruedas traseras del tractor siguen rodando con el freno de mano colocado (y la válvula de descarga hidrostática abierta) el freno necesita ajustes. Consulte al distribuidor de servicio autorizado para realizar un ajuste del freno.

Ajuste punto muerto hidrostático

Si el tractor se desliza hacia adelante o hacia atrás cuando no se presiona el pedal de marcha adelante ni el de marcha atrás, póngase en contacto con el distribuidor local autorizado para que regule correctamente el ajuste de punto muerto.

Alineación de las ruedas

Si el tractor tira hacia un lado o está desalineado, podría ser necesario alinear las ruedas. Comuníquese con un distribuidor de servicio autorizado para hacer alinear las ruedas correctamente.

RETIRO DE LA PLATAFORMA

⚠ ADVERTENCIA

Tenga cuidado de no pellizcarse los dedos cuando saca la correa de la polea de la PTO.

Para extraer la plataforma, proceda de la siguiente manera:

- Desplace el tractor a una superficie nivelada, desconecte la PTO, pare el motor y PONGA el freno de mano.
- Baje la plataforma colocando la palanca de elevación de la plataforma dentro de la muesca inferior del guardabarros derecho.
- Para tractores con PTO manual continúe con el paso 4, para modelos con PTO eléctrica salte al paso 8.

CUIDADO DEL PRODUCTO

- Afloje, pero no quite la tuerca de seguridad con brida de la polea loca derecha y el tornillo hexagonal de la polea izquierda.
- Saque el tornillo hexagonal que asegura la varilla guardapoleas del motor al bastidor (Figura 38).

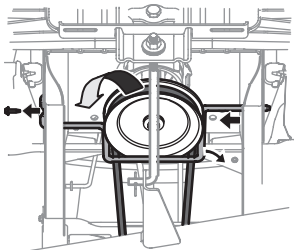


Figura 38

- Deslice la varilla hacia la derecha para sacarla.

NOTA: cuando extraiga la varilla, actúe con precaución para evitar que se dañe el mazo de cables.

- Extraiga el pasador de chaveta que sujeta el cable de la PTO al soporte de la plataforma, tire hacia atrás del cable de la PTO, luego deslícelo fuera del soporte y desenganche el resorte de la polea loca (Figura 39).

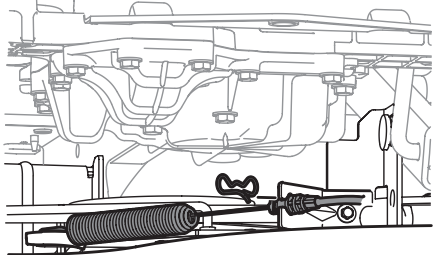


Figura 39

- Desde el lado derecho del tractor, inserte una llave de trinquete de 3/8 pulgada, regulada para **ajustar**, en el orificio cuadrado del soporte intermedio (Figura 40).
- Pivote la llave hacia adelante para mover la polea de transmisión de la plataforma hacia adelante (Figura 40).

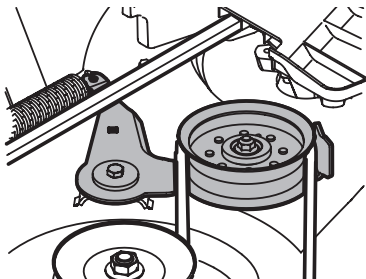


Figura 40

- Extraiga con cuidado la correa de alrededor de la polea de la PTO.
- Mirando hacia la plataforma desde el lado izquierdo del tractor, ubique el pasador de chaveta en el lado posterior izquierdo de la plataforma (Figura 41).
- Retire el pasador y saque el pasador de la plataforma del brazo de elevación de la misma (Figura 41).

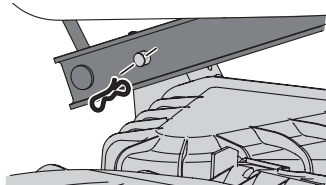


Figura 41

- Repita los pasos 11-12 del lado derecho del tractor.
- Tire del pasador de chaveta hacia afuera de la varilla de elevación delantera de la plataforma que la sujeta a la plataforma (Figura 42). Saque la varilla de elevación de la plataforma del soporte de suspensión frontal.

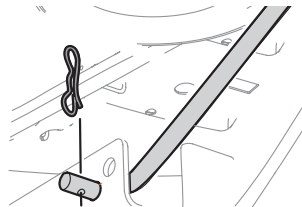


Figura 42

- Mueva la palanca de elevación de la plataforma a la muesca superior para levantar el elevador de la plataforma y sacarlo del camino.
- Deslice suavemente la plataforma hacia afuera desde la parte inferior del tractor.

EXTRACCIÓN DE LAS CUCHILLAS

⚠ ADVERTENCIA

Apague el motor y extraiga la llave de encendido antes de retirar las cuchillas de corte para afilarlas o reemplazarlas. Proteja sus manos utilizando guantes reforzados cuando sujete las cuchillas.

Inspeccione periódicamente la cuchilla y/o el husillo en busca de rajaduras o daños, especialmente después de golpear un objeto extraño. No haga funcionar el tractor hasta después de haber reemplazado los componentes dañados.

Si el borde cortante de la cuchilla ha sido afilado previamente o si existe una separación de metal, reemplace las cuchillas por otras nuevas.

Sistema de Cuchillas FastAttach™ (si se incluye)

1. Coloque la altura de la plataforma del tractor en su posición más alta.
2. Con cuidado sienta las ranuras para los dedos que están en el collarín de la cuchilla a los lados del a cuchilla.
3. Empuje hacia arriba sobre el collarín de la cuchilla y sosténgalo (Figura 43).

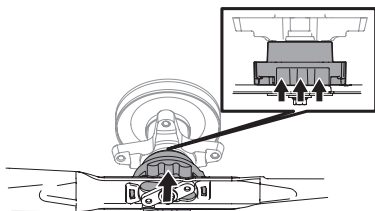


Figura 43

4. Mientras sostiene el collarín en la posición hacia arriba, rote la cuchilla en sentido contrario a las agujas del reloj para liberarla del collarín (Figura 44).

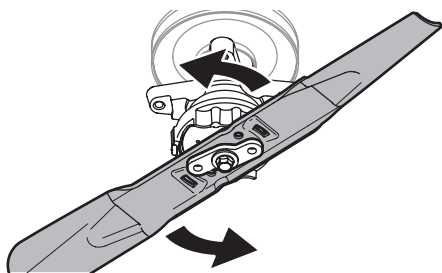


Figura 44

5. Cuando el orificio del centro de la cuchilla se alinee con el retenedor de cuchillas del tractor, baje la cuchilla con cuidado (Figura 45).

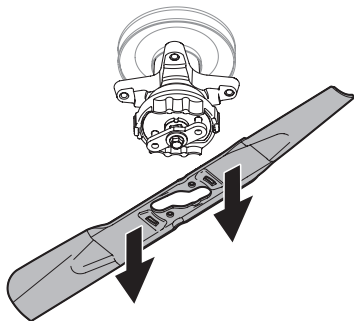


Figura 45

Sistema de Cuchillas Estándar (si se incluye)

1. Retire la plataforma desde abajo del tractor, (consulte la sección Retiro de la Plataforma anteriormente en esta sección) luego voltee con delicadeza la plataforma para visualizar su parte inferior.
2. Coloque un bloque de madera entre el deflector del alojamiento de la plataforma y la cuchilla de corte para que actúe como estabilizador (Figura 46).

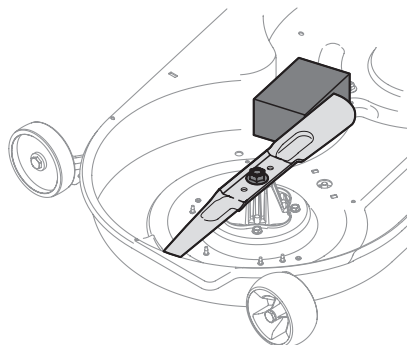


Figura 46

3. Extraiga la tuerca de brida hexagonal que asegura la cuchilla al montaje del husillo.

Sistema de Cuchillas Estándar con S-Blades (si se incluye)

1. Retire la plataforma desde abajo del tractor, (consulte la sección Retiro de la Plataforma anteriormente en esta sección) luego voltee con delicadeza la plataforma para visualizar su parte inferior.
2. Use una llave de 15/16 pulgada para sostener la tuerca hexagonal en la parte superior del conjunto del husillo cuando afloje la tuerca hexagonal (a) y arandela (d)* que fijan la cuchilla (b). Se puede colocar un bloque de madera (c) entre el alojamiento de la plataforma y el borde de corte de la cuchilla (b) para ayudar a aflojar la tuerca hexagonal (a) y arandela (d)* que fijan la cuchilla (Figura 47).

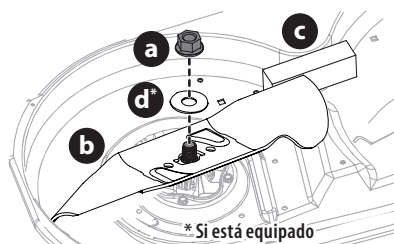


Figura 47

INSTALACIÓN DE LA CUCHILLA

Sistema de Cuchillas FastAttach™ (si se incluye)

1. Coloque la altura de la plataforma del tractor en su posición más alta.
2. Oriente la cuchilla correctamente. La parte inferior de la cuchilla se etiqueta "Grass Side" (Lado del Césped).
3. Posicione la cuchilla debajo del montaje de husillo, y alinee con cuidado el orificio grande del centro de la cuchilla sobre el retenedor de cuchillas del tractor (Figura 48).

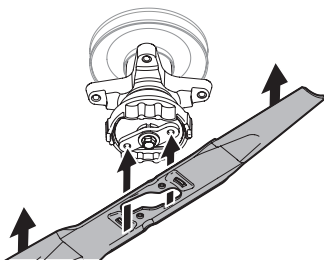


Figura 48

4. Empuje la cuchilla hacia arriba contra el adaptador de cuchilla hasta que el collarín se eleve (Figura 43 en la página 69).
5. Gire la cuchilla en sentido de las agujas del reloj para alinearla con el adaptador de cuchilla (Figura 49).

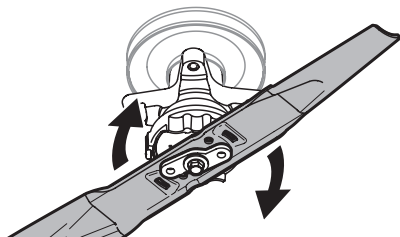


Figura 49

NOTA: si se siente demasiada resistencia mientras se está girando la cuchilla, significa que el husillo está rotando, la cuchilla no está correctamente alineada sobre el adaptador de cuchilla y la instalación no será exitosa.

6. Cuando la cuchilla esté correctamente trabajada en su lugar, se escuchará un clic (Figura 50).

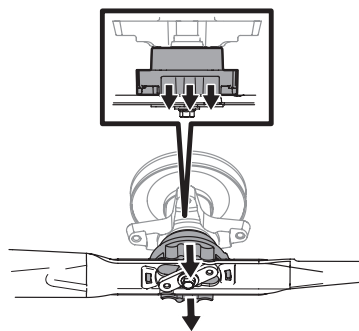


Figura 50

Sistema de Cuchillas Estándar (si se incluye)

1. Con la plataforma quitada, voltee la plataforma con delicadeza para dejar al descubierto la parte inferior.
2. Alinee el orificio del centro de la cuchilla con el retenedor en forma de estrella que está en la base del montaje de husillo y deslice la cuchilla en su lugar.
3. Coloque un bloque de madera entre el deflector del alojamiento de la plataforma y la cuchilla de corte para que actúe como estabilizador (Figura 46 en la página 69).
4. Enrosque la tuerca de brida hexagonal para asegurar la cuchilla al montaje de husillo.
5. Utilice una llave de torsión para ajustar la tuerca de brida hexagonal del husillo de la cuchilla a 70-90 pies-libras (95-122 N-m).
6. Vuelva a instalar la cubierta (consulte Cambio de la correa de la plataforma y reinstalación de la plataforma de la plataforma en esta sección).

NOTA: cuando reemplace o reinstale la cuchilla, asegúrese de instalarla con el lado marcado "Bottom" (Inferior) (o con el lado que posee un número de pieza estampado) mirando al piso.

Sistema de Cuchillas Estándar con S-Blades (si se incluye)

1. Con la plataforma quitada, voltee la plataforma con delicadeza para dejar al descubierto la parte inferior.
2. Cuando reinstale las cuchillas, asegúrese de lo siguiente (Figura 47):
 - a. Las cuchillas (b) se instalan de modo que las aletas se orienten hacia arriba hacia la parte superior de la plataforma.
 - b. La arandela (d)* se coloca entre la parte inferior de la cuchilla (b) y la tuerca hexagonal (a).

¡IMPORTANTE! Alinee el recorte en forma de "S" con la forma de "S" correspondiente en el huso para un ajuste seguro.

3. Ajuste las tuercas hexagonales (a) a 70-90 pies-libras (95-122 N-m) (Figura 47 en la página 69).
4. Reinstale la plataforma.

AFILADO DE LA CUCHILLA

1. Para afilar las cuchillas de corte de forma adecuada, extraiga cantidades iguales de metal de ambos extremos de las cuchillas a lo largo de los bordes cortantes, de forma paralela al borde de caída, a un ángulo de 25° a 30°. Afile siempre cada borde de las cuchillas de corte de forma pareja para mantener un centrado adecuado entre las mismas (Figura 51).

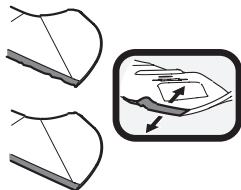


Figura 51

2. Pruebe el centrado de la cuchilla usando un compensador de cuchillas. Afile el metal del lado pesado hasta que quede bien centrada.

⚠ ADVERTENCIA

Una cuchilla mal centrada causará exceso de vibración y puede dañar el tractor y/o causar lesiones.

CAMBIO DE LA CORREA DE LA PLATAFORMA Y REINSTALACIÓN DE LA PLATAFORMA

⚠ PRECAUCIÓN

Las correas en V de su tractor están especialmente diseñadas para activarse y desactivarse con seguridad. Una correa sustituta (no del fabricante original) puede ser peligrosa por no desactivar completamente. Para que la máquina funcione de manera adecuada, use correas aprobadas por el fabricante.

Todas las correas del tractor están sujetas a desgaste, y se las debe cambiar si se presentan signos de desgaste. Para cambiar o reemplazar la correa de la plataforma de su tractor, proceda de la siguiente manera:

1. Saque la plataforma como se indicó anteriormente en esta sección en Retiro de la Plataforma.
2. Afloje, pero no quite los elementos de ferretería de la polea loca izquierda y derecha.

NOTA: en algunas plataformas puede ser necesario retirar las cubiertas de los husillos para sacar y/o instalar la correa nueva. Para retirar las cubiertas de los husillos, saque los tornillos que las sujetan a la plataforma.

3. Saque con cuidado la correa de alrededor de las poleas locas y las poleas de los husillos.
4. Coloque la correa nueva como se muestra en la figura correspondiente. Consulte la Figura 52 para plataformas de 42 pulgadas, la Figura 53 para plataformas de 46 pulgadas y la Figura 54 para plataformas de 50 pulgadas y 54 pulgadas.

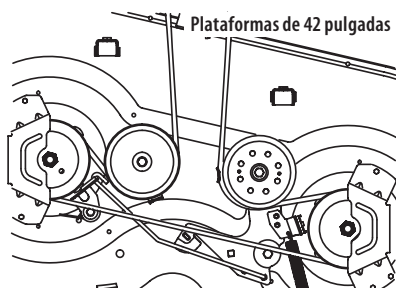


Figura 52

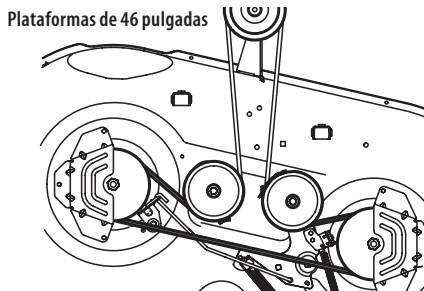


Figura 53

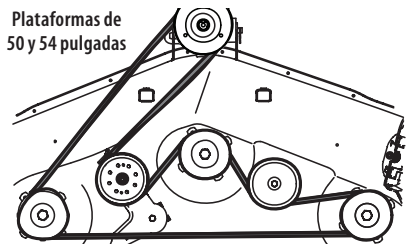


Figura 54

NOTA: use una llave de trinquete de 3/8" como se indica en pasos anteriores para colocar la correa nueva en pivote con la correa de transmisión.

5. Cerciórese de que la correa pase correctamente sobre las poleas locas y por dentro de los guardacorreas y vuelva a ajustar las poleas locas, si las hubiera aflojado anteriormente. Ajuste a 256-313 pulgadas-libras (29-35 N-m).
6. Vuelva a montar las cubiertas de los husillos se fueron retiradas.
7. Reinstale la plataforma, comprobando que la correa se ha pasado alrededor de las poleas como se indica.
8. En unidades con PTO manual, vuelva a instalar la varilla guardapoleas del motor y el cable de la PTO.

9. Tire del lado derecho de la correa y coloque el lado V angosto de la correa en la polea de la PTO (Figura 55).

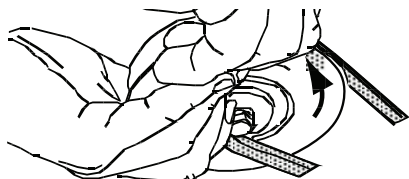


Figura 55

10. Sosteniendo la correa y la polea juntas, rote la polea hacia la izquierda. Continúe sosteniendo y rotando la polea y la correa hasta que la correa esté totalmente deslizada dentro de polea de la PTO.

EXTRACCIÓN DEL PARAGOLPES DELANTERO (SI SE INCLUYE)

⚠ ADVERTENCIA

Desactive la PTO, active el bloqueo de freno y detenga el motor del tractor antes de realizar cualquier procedimiento. Coloque el tractor sobre una superficie firme y nivelada antes de comenzar los procedimientos de instalación o extracción.

El sistema de escape y las áreas que lo rodean están CALIENTES. Para evitar lesiones personales, deje que el tractor se enfríe antes de comenzar cualquier procedimiento de instalación o extracción.

1. Retire los cuatro tornillos hexagonales (a) que fijan el paragolpes delantero (Figura 56).
2. Ahora se puede retirar el paragolpes delantero (b) (Figura 56).

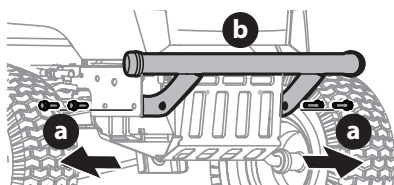


Figura 56

EXTRACCIÓN DE LA PROTECCIÓN DEL CEPILLO (SI SE INCLUYE)

⚠ ADVERTENCIA

Desactive la PTO, active el bloqueo de freno y detenga el motor del tractor antes de realizar cualquier procedimiento. Coloque el tractor sobre una superficie firme y nivelada antes de comenzar los procedimientos de instalación o extracción.

El sistema de escape y las áreas que lo rodean están CALIENTES. Para evitar lesiones personales, deje que el tractor se enfríe antes de comenzar cualquier procedimiento de instalación o extracción.

1. Quite los dos pasadores de chaveta, y luego tire de los pasadores (Figura 57).

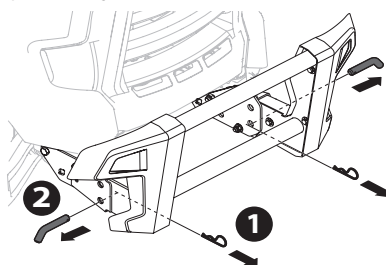


Figura 57

2. Ahora ya se puede extraer el conjunto de protección del cepillo (Figura 58).

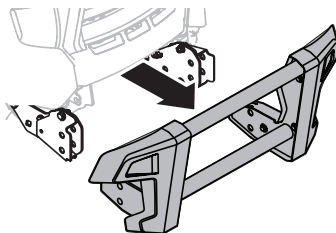


Figura 58

NOTA: los soportes FastAttach™ pueden dejarse en el lugar para usar con otros accesorios FastAttach™. Contáctese con su distribuidor de servicio autorizado para obtener una lista completa de productos y conocer su disponibilidad.

CAMBIO DE LA CORREA DE TRANSMISIÓN

Para cambiar la correa de transmisión del tractor, se deben retirar varios componentes y se requieren herramientas especiales. Solicite a un distribuidor de servicio autorizado que realice el reemplazo de la correa de transmisión.

CUIDADO DEL PRODUCTO

SOLUCIÓN DE PROBLEMAS

ADVERTENCIA

Antes de realizar cualquier tipo de mantenimiento o servicio, desactive todos los controles y detenga el motor. Espere a que se detengan completamente todas las piezas móviles. Desconecte los cables de las bujías y el cable negativo de la batería para evitar un arranque involuntario. Utilice siempre anteojos de seguridad durante el funcionamiento o mientras ajusta o repara este equipo.

En esta sección se analizan problemas menores de servicio. Para localizar el centro de servicio técnico autorizado más cercano consulte la hoja complementaria que se entrega por separado donde consta la información de contacto.

Problema	Causa	Solución
El motor no arranca	<ol style="list-style-type: none"> 1. Perilla de PTO/Acople de Cuchillas activada. 2. No está puesto el freno de mano. 3. Se ha desconectado el cable de bujía. 4. La palanca de control del acelerador no está en la posición de arranque correcta. 5. El depósito de combustible está vacío o el combustible se ha echado a perder. 6. La línea del combustible está bloqueada. 7. La bujía no funciona correctamente. 8. Motor ahogado. 9. Fusible(s) quemados. 	<ol style="list-style-type: none"> 1. Coloque la perilla en la posición de desconexión (OFF). 2. Coloque el freno de mano. 3. Conecte el cable a la bujía de encendido. 4. Mueva la palanca del acelerador a la posición FAST (rápido). 5. Llene el depósito con gasolina limpia y nueva (de menos de 30 días de antigüedad). 6. Vuelva a colocar el circuito de combustible. Vea a un distribuidor de servicio autorizado. Reemplace el filtro de combustible. Consulte la sección Cuidado del producto. 7. Limpie, ajuste la separación, o cambie la bujía. 8. Arranque el motor con el acelerador en la posición FAST (rápido). 9. Reemplace el fusible.
El motor funciona de manera errática	<ol style="list-style-type: none"> 1. El tractor está funcionando con cebador activado. 2. Los cables de la bujía están flojos. 3. El circuito del combustible está obstruido o el combustible se ha echado a perder. 4. La ventilación en la tapa del combustible está obstruida. 5. Hay agua o suciedad en el sistema de combustible. 6. El depurador de aire está sucio. 	<ol style="list-style-type: none"> 1. Compruebe que el cebador eléctrico funcione. Vea a un distribuidor de servicio autorizado. 2. Conecte y ajuste los cables e la bujía. 3. Vuelva a colocar el circuito de combustible. Vea a un distribuidor de servicio autorizado. Llene el tanque con gasolina limpia y nueva y reemplace el filtro de combustible. Consulte la sección Cuidado del producto. 4. Destape la ventilación o reemplace la tapa si está dañada. 5. Vacíe el depósito de combustible. Recargue el depósito con gasolina limpia y nueva. Consulte la sección Cuidado del producto. 6. Limpie o reemplace el elemento de papel del depurador de aire o limpie el prefiltro de espuma.
El motor recalienta	<ol style="list-style-type: none"> 1. El nivel de aceite del motor está bajo. 2. Restricción en el flujo de aire. 	<ol style="list-style-type: none"> 1. Llene el motor con cantidad y tipo de aceite adecuados. 2. Elimine los recortes de césped y los desechos de alrededor de las aletas de enfriamiento del motor y de la carcasa del soplador.

CUIDADO DEL PRODUCTO

Problema	Causa	Solución
El motor vacila a altas revoluciones	1. Poca separación de los electrodos de la bujía.	1. Extraiga la bujía y regule la separación.
El motor funciona mal en marcha lenta	1. Bujía atorada. 2. El depurador de aire está sucio.	1. Reemplace la bujía y regule la separación. 2. Limpie o reemplace el elemento del depurador de aire y/o limpie el prefiltro.
Excesiva vibración	1. Cuchillas de corte flojas o descentradas. 2. Cuchilla de corte dañada, desafilada o doblada.	1. Apriete la cuchilla y el husillo. Centre la cuchilla. 2. Reemplace la cuchilla.
Tractor no abona el césped	1. La velocidad del motor es demasiado lenta. 2. Pasto mojado. 3. Césped excesivamente alto. 4. Cuchilla desafilada.	1. Coloque el control del acelerador en la posición FAST (velocidad rápida, representada por una liebre). 2. No procese abono cuando el pasto está mojado. 3. Corte una vez a una altura de corte elevada y luego vuelva a realizar el corte a la altura deseada, o siga una ruta de corte más estrecha. 4. Afile o cambie la cuchilla.
Corte irregular	1. La plataforma no está correctamente nivelada. 2. Cuchilla desafilada. 3. Presión de neumáticos desigual.	1. Haga un ajuste de la plataforma de lado a lado. 2. Afile o cambie la cuchilla. 3. Verifique la presión de los cuatro neumáticos.

MANUEL DE L'UTILISATEUR

Tracteur de pelouse à moteur avant

Anglais (English).....	Page 1
Espagnol (Spanish).....	Page 37
Français.....	Page 75

Identification du produit

Avant de préparer et d'utiliser votre appareil neuf, veuillez localiser la plaque signalétique et reporter les renseignements dans la section à droite. La plaque se trouve sous le support du siège. Soulevez le siège pour la trouver. Ces renseignements sont nécessaires lorsque vous cherchez de l'aide technique, soit sur notre site Web, soit auprès de notre service à la clientèle ou du concessionnaire agréé de votre région.

Numéro de modèle

Numéro de série

AVERTISSEMENT

Lisez attentivement les consignes de sécurité et les instructions de montage et de fonctionnement avant d'utiliser votre appareil afin d'éviter de vous blesser. CONSERVEZ CES INSTRUCTIONS.

AVERTISSEMENT

PROPOSITION 65 DE LA CALIFORNIE

Les gaz d'échappement du moteur ainsi que certains éléments de vos appareils motorisés contiennent des substances considérées par l'État de Californie comme étant cancérigènes et pouvant provoquer des anomalies congénitales ainsi que d'autres effets nuisibles à la reproduction.

Les bornes et les cosses de batterie ainsi que les accessoires connexes contiennent du plomb et des composés de plomb, soit des produits chimiques reconnus par l'État de Californie comme cancérigènes et pouvant provoquer des effets nuisibles à la reproduction. Lavez-vous les mains après toute manipulation. www.p65warnings.ca.gov

NOTE : Ce manuel est commun à plusieurs modèles dont les caractéristiques peuvent différer. Certaines caractéristiques décrites dans ce manuel peuvent ne pas s'appliquer à tous les modèles. Votre appareil peut différer du modèle illustré.

Formulaire n°. 769-25738D

(10 octobre 2022)

CONSIGNES DE SÉCURITÉ

AVERTISSEMENT



Les consignes importantes sont précédées de ce symbole. Si vous ne respectez pas ces consignes, vous pourriez vous blesser grièvement ou causer des dommages. Veuillez lire et respecter toutes les consignes de ce manuel avant d'utiliser cet appareil afin d'écartier tout risque d'accident et de blessure. Lorsque vous voyez ce symbole, RESPECTEZ LA CONSIGNE !

DANGER

Cet appareil doit être utilisé conformément aux consignes de ce manuel. Comme pour tout type d'équipement motorisé, la négligence ou une erreur de la part de l'utilisateur peut entraîner un accident. De plus, les lames sont dangereuses. Elles peuvent projeter des objets avec force ou infliger des blessures graves (pouvant mener à une amputation des doigts, des mains ou des pieds). Il est donc impératif de respecter scrupuleusement les consignes de sécurité énoncées.

FONCTIONNEMENT GÉNÉRAL

1. Veuillez lire attentivement toutes les instructions inscrites sur l'appareil et dans le manuel avant de l'assembler et de l'utiliser. Conservez le manuel pour pouvoir le relire ou commander des pièces de rechange.
2. Familiarisez-vous avec les commandes et le fonctionnement de votre appareil avant de vous en servir. Vous devez surtout savoir comment l'arrêter et débrayer les commandes rapidement.
3. L'âge minimum pour pouvoir utiliser cet appareil est de 14 ans. Si vous souhaitez permettre à vos enfants de plus de 14 ans de tondre la pelouse, lisez d'abord les consignes de sécurité et d'utilisation avec eux, montrez-leur comment faire et exigez qu'un adulte soit présent en tout temps.
4. Ne confiez votre appareil qu'à des adultes responsables, qui savent s'en servir.
5. Soyez prudent et faites preuve de bon sens en tout temps : ce manuel ne peut couvrir toutes les situations susceptibles de survenir lorsque vous utilisez votre tondeuse. Si vous avez besoin d'aide, communiquez avec notre service à la clientèle.
6. La durée de vie moyenne de votre tondeuse est de sept (7) ans d'après la Commission américaine pour la sécurité des produits de consommation (U.S. Consumer Products Safety Commission) et l'Agence américaine de protection de l'environnement (U.S. Environmental Protection Agency). À ce terme, faites impérativement vérifier les mécanismes et dispositifs de sécurité tous les ans par un centre de service agréé. Vous risquez un accident grave voire mortel si vous ne le faites pas.

AVANT D'UTILISER

1. Examinez soigneusement la pelouse avant de tondre. Ramassez les pierres, brindilles, fils, os, jouets et autres objets qui pourraient être projetés ou sur lesquels vous pourriez trébucher. Les objets projetés peuvent causer de graves blessures.
2. Ne laissez personne s'approcher à moins de 23 mètres (75 pieds) lorsque vous tondez, à cause des risques liés aux projections ou à une collision. Personne ne doit s'approcher de la zone de travail. Coupez le moteur dès que quelqu'un s'approche.

3. Ne dirigez jamais le côté où sont éjectés les débris d'herbe vers d'autres personnes.
4. Portez toujours des lunettes de sécurité pour tondre ou pour effectuer un réglage ou une réparation. Vos yeux sont particulièrement vulnérables aux projections.
5. Portez des chaussures fermées et à semelle épaisse et des vêtements couvrants et bien ajustés, et évitez les bijoux. Ne tondez jamais pieds nus ou en sandales.
6. Ne remplissez pas le réservoir à ras bord : l'essence se dilate en chauffant, alors laissez un espace d'environ un demi-pouce sous le col de remplissage.
7. Veillez à remettre correctement le bouchon du réservoir lorsque vous avez terminé.
8. N'utilisez que des pièces d'origine et des accessoires homologués. Si vous ajoutez un accessoire, lisez bien son manuel d'utilisation.

UTILISATION

1. Statistiquement, les utilisateurs de tracteurs de 65 ans ou plus sont plus susceptibles d'avoir un accident avec leur appareil. Par conséquent, nous vous recommandons de bien évaluer votre aptitude à utiliser cet appareil sans vous mettre en danger ni risquer de blesser d'autres personnes.
2. Débrayez les lames et serrez le frein de stationnement avant de démarrer le tracteur.
3. N'approchez pas les doigts ou les pieds des lames ou même du dessous du plateau de coupe. Une lame en mouvement peut infliger de graves blessures pouvant aller jusqu'à la perte d'un membre.
4. Faites attention aux trous, ornières, bosses, roches et autres objets ou passages dangereux. Prenez garde car le tracteur pourrait se renverser en passant dessus. L'herbe haute peut camoufler des obstacles.
5. Calculez votre trajectoire de façon à éviter de projeter les brins coupés vers la rue, le trottoir, les passants, etc. Les débris peuvent rebondir sur les murs ou autres obstacles et vous atteindre.
6. Calculez bien la hauteur libre avant de vous engager sous des branches basses, des fils électriques ou dans tout autre passage réduit car vous pourriez vous cogner ou tomber du siège et vous blesser grièvement.

7. Ne laissez jamais le tracteur en marche sans surveillance. Arrêtez toujours l'appareil, débrayez les lames, engagez le frein de stationnement et retirez la clé de contact.
8. Arrêtez le moteur, serrez le frein de stationnement et attendez l'arrêt complet de la lame avant de retirer le bac récupérateur, de déboucher la goulotte ou d'effectuer un réglage ou une réparation.
9. Cet appareil est conçu pour une utilisation non-professionnelle. Il peut tondre un gazon de 25 cm (10 pouces) de haut au maximum. Il n'est pas fait pour tondre les hautes herbes (par ex. dans un pré) ou pour déchiqeter des tas de feuilles mortes. Des débris végétaux secs peuvent s'accumuler sous le plateau de coupe et provoquer un incendie s'ils atteignent le tuyau d'échappement.
10. Reculez lentement. Regardez toujours derrière vous et par terre avant et pendant la marche arrière pour éviter de renverser quelqu'un.
11. Ne laissez pas d'autres personnes monter sur le tracteur lorsque le moteur est en marche.
12. Ne vous approchez pas à moins de 3 mètres (10 pieds) des rebords surélevés, des fossés, des remblais ou des rives. Vous risquez d'y tomber si une roue se retrouve dans le vide ou si le sol s'effondre sous le poids de l'appareil.
13. Il est dangereux d'utiliser ce tracteur sans son déflecteur d'éjection, ou avec un déflecteur endommagé.
14. Il est dangereux d'utiliser ce tracteur sans son déflecteur d'éjection ou sans un sac à herbe.
15. Attention : les bacs récupérateurs et autres accessoires affectent l'équilibre du tracteur. Suivez toujours la notice d'utilisation du fabricant de l'outil.
16. Débrayez les lames dès que vous cessez de tondre et avant de vous engager sur le trottoir, sur la route ou sur du gravier.
17. Si vous devez circuler en bordure d'une route ou la traverser, faites attention à la circulation. Ne circulez pas sur la voie publique.
18. Tondez en plein jour ou avec un éclairage artificiel adéquat.
19. N'utilisez pas le tracteur lorsque vous êtes sous l'empire de la boisson, de la drogue ou d'un médicament.
20. Ralentissez avant d'entamer un virage. N'effectuez pas de gestes brusques, évitez les manœuvres abruptes et n'allez pas trop vite.
21. Ne touchez pas le silencieux et le moteur, car ils deviennent chauds et pourraient vous brûler. Laissez le moteur refroidir pendant cinq minutes avant d'effectuer un réglage ou une réparation.
22. Ne laissez jamais le moteur tourner dans un lieu fermé ou mal aéré en raison de la présence de monoxyde de carbone, un gaz inodore très dangereux, dans les gaz d'échappement.

PRÉCAUTIONS RELATIVES AUX ENFANTS

1. Redoublez de vigilance si vous avez des enfants. Ces derniers aiment bouger, peuvent se déplacer à tout moment à votre insu et sont souvent attirés par les appareils de jardin sans se rendre compte du danger, ce qui peut provoquer de très graves accidents.
2. Les proches, enfants ou animaux de compagnie doivent être sous la surveillance d'un adulte autre que l'utilisateur de l'appareil et ne doivent pas s'approcher de la zone de travail. Coupez le moteur dès que quelqu'un s'approche.
3. Ne laissez pas les enfants monter sur la tondeuse lorsque le moteur est en marche, même si les lames sont débrayées, car ils pourraient vous gêner, vous déconcentrer ou encore tomber et se blesser grièvement ou mortelles.
4. Des enfants qui ont déjà monté sur l'appareil peuvent s'approcher pour un autre tour et peuvent être écrasés par l'appareil, causant des blessures graves ou mortelles.
5. Restez vigilant et arrêtez l'appareil dès qu'ils s'approchent.
6. Avant de reculer, retournez-vous pour vérifier soigneusement qu'il n'y a personne derrière l'appareil.
7. Soyez particulièrement vigilant à l'abord de virages masqués, portails, buissons, arbres, etc. desquels les enfants peuvent surgir d'un coup.
8. L'âge minimum pour pouvoir utiliser cet appareil est de 14 ans. Si vous souhaitez permettre à vos enfants de plus de 14 ans de tondre la pelouse, lisez d'abord les consignes de sécurité et d'utilisation avec eux, montrez-leur comment faire et exigez qu'un adulte soit présent en tout temps.
9. Sécurisez l'appareil pour qu'aucun enfant ne l'utilise sans autorisation. Cet appareil n'est pas un jouet. Informez vos enfants qu'il est dangereux d'utiliser l'appareil et qu'il ne faut pas s'en approcher.
10. Ne laissez pas vos enfants s'approcher du moteur en marche ou encore chaud ou encore du silencieux car ils risquent de se brûler.
11. Ne laissez jamais la clé de contact sur la tondeuse afin que vos enfants ne puissent pas démarrer le moteur. Assurez-vous qu'elle est hors de la portée des enfants.

UTILISATION SUR UNE PENTE

1. Dans les pentes, les accidents sont plus fréquents et souvent plus graves. Vous devez donc redoubler de prudence. Ne vous engagez pas sur une pente si vous ne vous sentez pas à l'aise ou si elle est trop raide pour la remonter à reculons.
2. Par mesure de sécurité, mesurez toute pente à tondre avec l'inclinomètre de ce manuel avant de vous y engager avec le tracteur. Utilisez aussi un dispositif de mesure pour déterminer la pente avant de tondre. Les applications pour téléphone peuvent être utilisées pour mesurer les pentes. Évitez impérativement les pentes dont l'inclinaison est supérieure à 15° (25 %) car les risques d'accident grave y sont très élevés.
3. Ne tondez pas sur des pentes dont l'inclinaison est supérieure à 15° (25 %).

4. Ne tondez pas perpendiculairement à la pente. Tondez dans le sens de la pente, mais jamais dans une pente de plus de 15° (25 %). Tondez lentement et ne tournez pas brusquement.
5. Ne tondez pas si la pelouse est mouillée, car elle devient très glissante.
6. N'utilisez pas le tracteur si sa traction, sa stabilité ou sa conduite sont remises en question. Ses roues peuvent glisser même lorsque l'appareil est à l'arrêt.
7. Évitez d'avoir à démarrer ou à vous arrêter au beau milieu d'une pente. Ne changez pas de vitesse ou de direction brusquement, tournez lentement et prudemment.
8. Attention : les bacs récupérateurs et autres accessoires affectent l'équilibre de l'appareil. N'utilisez pas de bac récupérateur sur une pente supérieure à 10° (17 %).
9. N'essayez jamais de stabiliser le tracteur en posant le pied à terre.
10. N'allez pas trop vite et prenez votre temps. Ne changez pas de vitesse ou de direction brusquement car l'avant de l'appareil peut lever d'un seul coup au point de se retourner complètement, ce qui est extrêmement dangereux pour vous.
11. Ne passez pas au point mort pour descendre une pente. Un excès de vitesse peut vous faire perdre le contrôle, ce qui peut entraîner un accident grave, voire mortel.

INCLINOMÈTRE (DERNIÈRE PAGE)

AVERTISSEMENT

Le risque de glisser et de renverser l'appareil dans une pente est beaucoup plus élevé que sur terrain plat et les blessures qui en résultent peuvent être très graves, voire mortelles. Vous devez donc redoubler de vigilance même dans les pentes douces. Ne vous engagez pas sur une pente si vous ne vous sentez pas à l'aise. Ne tondez pas sur des pentes avec une inclinaison supérieure à 15° (25 %). Travaillez de haut en bas, et non à travers la pente.

PAR MESURE DE SÉCURITÉ, MESUREZ TOUTE PENTE À TONDRE AVEC L'INCLINOMÈTRE À LA DERNIÈRE PAGE DE CE MANUEL POUR ÉTABLIR SI LA PENTE EST TROP RAIDE !

Procédez comme suit pour vérifier l'inclinaison :

1. Allez à la dernière page et pliez-la en suivant la ligne pointillée.
2. Cherchez un objet vertical sur la pente ou à l'arrière (un poteau, un bâtiment, une clôture, un arbre, etc.).
3. Alignez un côté de l'inclinomètre avec cet objet.
4. Réglez l'inclinomètre vers le haut ou vers le bas jusqu'à ce que le coin gauche touche la pente.
5. S'il y a un écart sous l'inclinomètre, la pente est trop raide pour une utilisation sans danger.

ESSENCE

1. Faites très attention lorsque vous manipulez de l'essence. Ce liquide est très inflammable et dégage des vapeurs explosives. Une simple éclaboussure sur la peau ou les vêtements peut s'enflammer et causer de graves brûlures. Nettoyez au plus vite toute éclaboussure sur la peau et changez de vêtements.
2. Éteignez cigares, cigarettes, pipes et tout autre objet susceptible de s'enflammer.
3. N'utilisez que des bidons d'essence homologués.
4. N'ouvrez pas le réservoir si le moteur est allumé ou encore chaud. Laissez le moteur refroidir pendant au moins cinq minutes avant de faire le plein.
5. Ne faites jamais le plein dans un lieu fermé.
6. N'entreposez jamais l'appareil ou les bidons d'essence à proximité d'une flamme nue, d'étincelles ou d'une veilleuse (chauffe-eau, radiateur, sècheuse, appareils fonctionnant au gaz).
7. En cas de débordement, essuyez l'essence sur le moteur et sur l'appareil et éliminez les débris souillés. Puis changez ce dernier de place et attendez cinq minutes avant de redémarrer le moteur.
8. Pour limiter les risques d'incendie, retirez les brins d'herbe, feuilles et autres débris accumulés sur le moteur. Suivez les instructions de la section Entretien de l'appareil après son utilisation dans le chapitre Entretien du manuel.
9. Cet appareil est conçu pour une utilisation non-professionnelle. Il peut tondre un gazon de 25 centimètres (10 pouces) de haut au maximum. Il n'est pas fait pour tondre les hautes herbes (par ex. dans un pré) ou pour déchiqueter des tas de feuilles mortes. Si des débris végétaux secs s'accumulent sous le plateau de coupe et atteignent le tuyau d'échappement, ils risquent de prendre feu.
10. Ne remplissez pas le réservoir à ras bord : l'essence se dilate en chauffant, alors laissez un espace d'environ un demi-pouce sous le col de remplissage.
11. Veillez à remettre correctement le bouchon du réservoir lorsque vous avez terminé. N'utilisez pas la tondeuse sans bouchon de réservoir d'essence.
12. Laissez refroidir l'appareil pendant au moins cinq minutes avant de le ranger ou de faire le plein.
13. Ne remplissez jamais les bidons à l'intérieur d'un véhicule ou encore à l'arrière d'un camion ou d'une remorque à plancher de plastique. Placez toujours les bidons par terre et loin de votre véhicule pour les remplir.
14. Déchargez l'appareil et faites le plein par terre dans la mesure du possible. Si cela n'est pas possible, faites le plein avec un bidon plutôt que directement du pistolet distributeur.
15. Posez le pistolet du distributeur sur le rebord du réservoir ou du bidon pour faire le plein et ne le bloquez pas en position ouverte.

REMORQUAGE

1. Les rampes doivent être bien attachées à la remorque lorsque vous chargez ou déchargez la tondeuse.
2. Soyez très prudent lorsque vous chargez ou déchargez l'appareil d'une remorque ou d'un camion. N'allumez pas le moteur pour charger ou décharger plus facilement. Vous risquez de renverser la tondeuse en chutant de la rampe et de vous blesser grièvement. Chargez ou déchargez votre tondeuse moteur éteint.
3. Réglez le plateau de coupe à la position la plus haute.

REMORQUAGE

1. Ne remorquez pas de charges supérieures à 113 kg (250 lb).
2. Le poids exercé sur l'attache de remorque ne doit pas dépasser 22 kg (50 lb).
3. N'attelez la remorque qu'au point d'attache prévu à cet effet.
4. Ne laissez personne monter sur l'équipement remorqué, en particulier des enfants.
5. Ne remorquez pas de charges lourdes sur des pentes supérieures à 5° (9 %). Attention lorsque vous remorquez un accessoire dans une pente : la traction des pneus est moindre et il est plus facile de perdre le contrôle du tracteur.
6. Faites attention, car le tracteur peut effectuer des virages très serrés. Si vous remorquez un accessoire, vous risquez une mise en portefeuille. Prenez des tournants larges !
7. N'allez pas trop vite et n'attendez pas le dernier moment pour freiner ou vous arrêter.

ENTRETIEN

1. Gardez la tondeuse en bon état de fonctionnement. Vous devez remplacer les pièces usées ou endommagées avant de vous servir de l'appareil.
2. Un accident grave ou fatal peut résulter d'une modification du moteur, quelle qu'elle soit. Toute modification apportée au régulateur de vitesse peut provoquer l'emballement du moteur et accélérer dangereusement sa vitesse en état de marche. Ne modifiez jamais cet élément et ne faites pas tourner le moteur à une vitesse excessive. Le régulateur maintient le moteur au meilleur régime.
3. Les lames sont très tranchantes et doivent être manipulées prudemment. Enveloppez-les dans un chiffon ou portez des gants.
4. Le liquide des pompes hydrauliques et des systèmes d'alimentation par injection des tracteurs est sous pression. Le liquide hydraulique qui s'échappe sous haute pression peut pénétrer dans la peau et entraîner de graves blessures. Si un tel liquide entre en contact avec votre peau, obtenez immédiatement des soins médicaux. Tenez les mains et toute autre partie du corps éloignées des trous et des buses; le liquide hydraulique peut s'échapper. S'il y a une fuite, faites inspecter l'appareil dans un centre de service agréé.

5. Avant de nettoyer, de réparer ou d'examiner votre tondeuse, vérifiez que les lames et autres pièces mobiles sont à l'arrêt. Arrêtez le moteur, retirez la clé de contact, débranchez le fil de bougie et mettez-le à la masse contre le moteur pour empêcher un démarrage accidentel.
6. Vérifiez régulièrement que les lames sont immobilisées dans les cinq secondes qui suivent le débrayage des lames. Consultez le Programme d'entretien dans la section Entretien de ce manuel. Vérifiez avec un chronomètre. Si ce n'est pas le cas, confiez votre tondeuse à un concessionnaire agréé pour y remédier.
7. Surveillez également le système de verrouillage de sécurité selon le Programme d'entretien dans la section Entretien de ce manuel. Si ce système ne fonctionne plus correctement, faites-le réparer par un centre de service agréé.
8. Ne modifiez jamais le système de verrouillage de sécurité et les autres dispositifs de sécurité et vérifiez régulièrement qu'ils fonctionnent bien.
9. Vérifiez le serrage des lames et des boulons de montage du moteur selon le Programme d'entretien. Pensez à vérifier l'état des lames. Si elles sont émoussées, tordues ou fissurées, remplacez-les par des lames d'origine.
10. Attention : pour obtenir le meilleur de votre tondeuse et éviter les accidents dus à des pièces non conformes aux spécifications du fabricant, remplacez-les par des pièces d'origine.
11. Assurez-vous régulièrement que tous les écrous, boulons et vis sont bien serrés et en bon état. Consultez le Programme d'entretien pour plus d'informations concernant l'entretien de l'appareil.
12. Si vous heurtez un objet, arrêtez immédiatement le moteur, débranchez les fils de bougie et le câble négatif de la batterie pour empêcher un démarrage accidentel. Vérifiez l'état de la tondeuse et ne la redémarrez pas si elle est endommagée.
13. Arrêtez impérativement le moteur avant d'effectuer un réglage ou une réparation.
14. Quand le sac récupérateur ou le couvercle d'éjection sont usés ou cassés, les lames peuvent se trouver exposées, ce qui est dangereux et augmente le risque de blessures à cause de projections. Par mesure de sécurité, vérifiez souvent ces éléments. Si nécessaire, utilisez des pièces d'origine pour les remplacer.
15. Les avertissements figurant sur vos équipements doivent toujours être lisibles. Remplacez-les si ce n'est plus le cas.
16. Respectez la législation sur l'élimination des déchets liquides (essence, huile, etc.) afin de préserver l'environnement.

AVIS CONCERNANT LES ÉMISSIONS

Les moteurs certifiés conformes aux normes d'émission de la Californie et de l'Agence américaine de protection de l'environnement (EPA) pour équipements hors route (Small Off Road Equipment) sont conçus pour fonctionner à l'essence ordinaire sans plomb et peuvent être dotés des dispositifs antipollution suivants : modification du moteur (EM) et convertisseur catalytique à trois voies (TWC).

CONSIGNES DE SÉCURITÉ

Certains modèles sont équipés de conduites et réservoirs à perméation faible pour limiter les émissions par évaporation. En Californie, certains modèles sont équipés d'un réservoir à charbon actif. Si vous désirez savoir de quels dispositifs votre modèle est équipé, contactez notre service de soutien technique.

PARE-ÉTINCELLES

⚠ AVERTISSEMENT




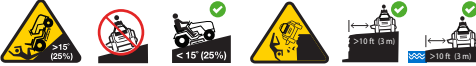
Ce tracteur est équipé d'un moteur à combustion interne et ne doit pas être utilisé sur un terrain boisé non entretenu ou sur un terrain couvert de broussailles ou d'herbe à moins que le système d'échappement du moteur ne soit muni d'un pare-étincelles, conformément aux lois et règlements provinciaux ou locaux (le cas échéant).

L'utilisateur doit maintenir le bon fonctionnement du pare-étincelles, le cas échéant. Dans l'état de la Californie, l'application des énoncés ci-dessus est exigée en vertu de la loi (article 4442, « California Public Resource Code »). Il est possible que d'autres États aient des lois similaires. Les lois fédérales sont en vigueur sur les terres fédérales.

Vous pouvez vous procurer un pare-étincelles pour le silencieux auprès d'un centre de service agréé ou en contactant le service à la clientèle, B. P. 361131, Cleveland, Ohio 44136-0019.

SYMBOLES DE SÉCURITÉ

Vous trouverez ci-dessous les symboles de sécurité qui peuvent se trouver sur votre appareil.

Symbole	Description
 <p>OPESymbol.com</p>	<p>AVERTISSEMENT - LISEZ LE MANUEL DE L'UTILISATEUR - Veuillez lire toutes les consignes de sécurité et toutes les instructions de ce manuel avant d'utiliser l'appareil afin d'écartier tout risque d'accident et de blessure. Conservez ce manuel en lieu sûr pour pouvoir le consulter ultérieurement et pour pouvoir commander des pièces de rechange. Balayez le code QR avec un téléphone pour avoir plus d'informations sur les avertissements. Le site www.OPESymbol.com offre aussi des renseignements à ce sujet.</p>
	<p>AVERTISSEMENT - RISQUE D'OBJETS PROJÉTÉS - Ne permettez à personne de s'approcher à moins de 23 m (75 pi) du tracteur en marche. Ramassez les pierres, brindilles, fils, os, jouets et autres objets qui pourraient être projetés ou sur lesquels vous pourriez trébucher. Il est dangereux d'utiliser ce tracteur sans son déflecteur d'éjection, ou avec un déflecteur endommagé.</p>
	<p>AVERTISSEMENT - RISQUE D'ÉCRASEMENT OU DE LAME TRANCHANTE - Avant de reculer, retournez-vous pour vérifier qu'il n'y a personne derrière le tracteur. Ne laissez pas les enfants monter sur le tracteur lorsque le moteur est en marche, même si les lames sont débrayées. Les enfants doivent être sous la surveillance d'un adulte autre que l'utilisateur de l'appareil et ne doivent pas s'approcher de la zone de travail. Coupez le moteur dès que quelqu'un s'approche de trop près.</p>
	<p>AVERTISSEMENT - RISQUE DE RENVERSEMENT - N'utilisez pas ce tracteur sur une pente supérieure à 15° (25 %). Travaillez de haut en bas, et non à travers la pente. Ne tondez pas perpendiculairement à la pente et jamais dans une pente de plus de 15° (25 %). Ne vous approchez pas à moins de 3 m (10 pi) des rebords surélevés, des fossés, des remblais ou des rives.</p>

CONSIGNES DE SÉCURITÉ

Symbole	Description
 <p>Icons: Fire warning triangle, a motorcycle with a height restriction sign '>10m (25cm)', a motorcycle with a red prohibition sign, a lawnmower with a red prohibition sign, a lawnmower with a red prohibition sign, and a house with a red prohibition sign.</p>	<p>AVERTISSEMENT - RISQUE D'INCENDIE - Ce tracteur est conçu pour une utilisation non-professionnelle. Il peut tondre un gazon de 25 cm (10 pouces) de haut au maximum. Il n'est pas fait pour tondre les hautes herbes (par ex. dans un pré) ou pour déchiqueter des tas de feuilles mortes. Laissez l'appareil refroidir pendant au moins cinq minutes avant de faire le plein ou de le remettre.</p>
 <p>Icons: Three yellow warning triangles. The first contains an exclamation mark. The second and third contain a hand being cut by a blade.</p>	<p>AVERTISSEMENT - RISQUE D'AMPUTATION - N'approchez pas le pied ou la main ni des lames, ni du dessous du plateau de coupe : vous pourriez vous blesser grièvement, au point de subir une amputation.</p>
 <p>Icons: A yellow warning triangle with an exclamation mark, a diagram of a lawnmower deck with numbered points 1, 2, and 3, a green checkmark, and three yellow warning triangles showing a hand being cut by a blade.</p>	<p>AVERTISSEMENT - RISQUE D'AMPUTATION - N'approchez pas le pied ou la main ni des lames, ni du dessous du plateau de coupe : vous pourriez vous blesser grièvement, au point de subir une amputation. Gardez les dispositifs de sécurité (protections, interrupteurs, etc.) en place et en bon état de fonctionnement. Vous pourriez vous blesser avec les courroies et la fusée de la lame.</p>
 <p>Icons: A close-up of a lawnmower's ignition keyhole with a yellow arrow pointing to it, and a silhouette of a person walking away from a lawnmower holding a key.</p>	<p>AVERTISSEMENT - RETRAIT DE LA CLÉ DE CONTACT - Avant de descendre du tracteur, débrayez les lames, engagez le frein de stationnement, serrez le frein à main, coupez le moteur et retirez la clé de contact. Arrêtez le moteur et retirez la clé de contact si vous laissez l'appareil sans surveillance.</p>
 <p>Icons: A yellow warning triangle with a scale and '>5°', a yellow warning triangle with a scale and '<5°', a green checkmark, a red prohibition sign with a person on a trailer, a diagram of a trailer with weight limits '<50 lb (22kg)' and '<250 lb (113 kg)', and a red prohibition sign with a person on a trailer.</p>	<p>AVERTISSEMENT - RISQUE DE BLESSURES PENDANT LE REMORQUAGE - Ne remorquez pas de charges supérieures à 113 kg (250 lb). Le poids exercé sur l'attache de remorque ne doit pas dépasser 22 kg (50 lb). Ne laissez personne monter sur l'équipement remorqué, en particulier des enfants. Ne remorquez pas de charges lourdes sur des pentes supérieures à 5° (9%). Attention lorsque vous remorquez un accessoire dans une pente : la traction des pneus est moindre et il est plus facile de perdre le contrôle du tracteur. N'allez pas trop vite et n'attendez pas le dernier moment pour freiner ou vous arrêter.</p>
 <p>Icons: A yellow warning triangle with an exclamation mark, and a hand being burned by a flame.</p>	<p>AVERTISSEMENT - SURFACE CHAUDE - Les pièces du moteur, en particulier le pot d'échappement, deviennent très chaudes pendant le fonctionnement. Avant tout contact, laissez refroidir le moteur et le pot d'échappement.</p>

⚠ AVERTISSEMENT

Il est de votre responsabilité de vous assurer que seules des personnes capables de lire, de comprendre et de respecter les consignes de sécurité figurant sur le moteur et dans cette notice utilisent votre appareil. - CONSERVEZ CES INSTRUCTIONS !

NOTE : Ce manuel est commun à plusieurs modèles. Les caractéristiques peuvent varier selon le modèle. Certaines caractéristiques décrites dans ce manuel peuvent ne pas s'appliquer à tous les modèles. Votre appareil peut différer du modèle illustré.

NOTE : Toutes les mentions de droite, gauche, avant et arrière ne s'entendent qu'à partir du poste de conduite. Les exceptions seront spécifiées, s'il y a lieu.

PRÉPARATION

Déplacement manuel de l'appareil

1. Engagez la tige de dérivation de la transmission pour déplacer le tracteur sans démarrer le moteur. La tige de dérivation de la transmission est située à l'arrière du tracteur, sur le châssis. Tirez la tige de dérivation pour l'engager (Figure 1).

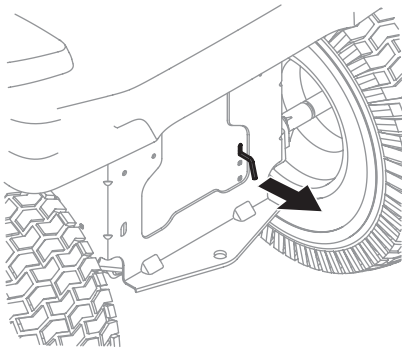


Figure 1

NOTE : Si le tracteur ne peut pas être déplacé ou s'il ne roule pas librement lorsqu'il est poussé, il est possible que la tige de dérivation ne soit pas complètement ressortie ou que le frein de stationnement soit engagé.

NOTE : La transmission NE s'engage PAS lorsque la tige de dérivation est engagée. Remplacez la tige dans sa position normale avant d'utiliser le tracteur de nouveau.

2. Après avoir déplacé l'appareil, effectuez les étapes (a) et (b) dans l'ordre inverse pour désengager les deux tiges de dérivation (Figure 1).

Installation du siège (le cas échéant)

Procédez comme suit pour installer le siège :

NOTE : Le siège est livré avec l'interrupteur du siège et son support déjà installés.

1. Coupez toutes les courroies de fixation qui fixent le siège et les barres de conduite à l'appareil. Enlevez tout le matériel d'emballage.

NOTE : Veillez à ne pas couper le faisceau de câbles qui relie l'interrupteur du siège au siège.

2. Retirez les deux boulons à épaulement (a) et les deux écrous autobloquants (b) du plateau du siège (Figure 2).

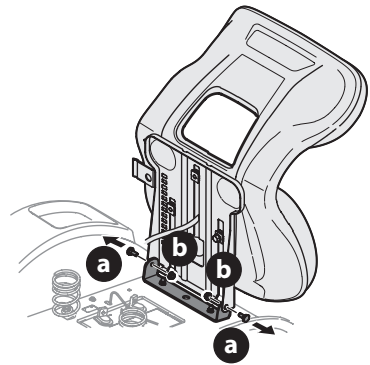


Figure 2

3. Faites basculer le siège vers l'arrière en position de conduite et placez un tournevis Phillips dans des trous de fixation du siège et du support pour les aligner.
4. Fixez un côté du siège au support avec les boulons à épaulement (a) et les écrous autobloquants (b) retirés à l'étape 3. Retenez le siège pendant que vous enlevez le tournevis Phillips et que vous fixez l'autre côté. Prenez garde de ne pas coincer ou endommager le faisceau de câbles pendant que vous installez le siège (Figure 3). Serrez à un couple de 9 à 12 N m (de 84 à 103 po-lb).

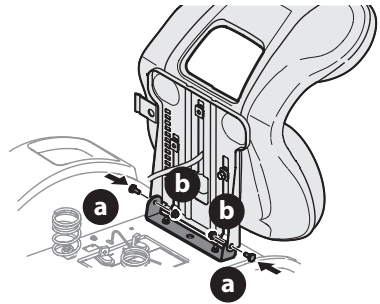


Figure 3

5. Faites enclencher l'attache pour retenir l'excédent de fil à l'aile (Figure 4).

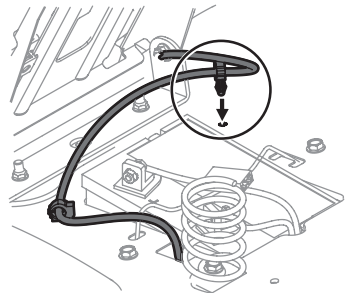


Figure 4

Installation de la bordure du capot (le cas échéant)

La bordure du capot (b) a trois (3) pattes d'alignement (a) qui doivent s'aligner avec les trous (c) sur le capot (Figure 5).

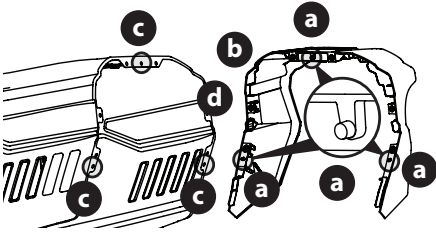


Figure 5

Placez la bordure (a) en alignant les pattes d'alignement avec les trous et fixez-la avec les six boulons (b) fournis. Serrez à un couple de 12 à 14 N m (102 po-lb à -124 po-lb). (Figure 6).

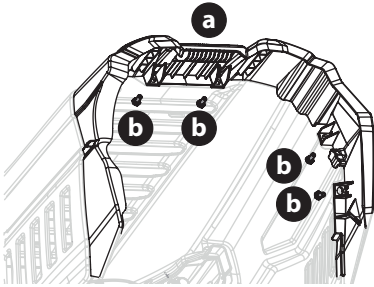


Figure 6

Installation du couvercle à pression de capot (le cas échéant)

1. Pour installer le couvercle (a), alignez les trous du couvercle avec les pattes (b) du capot (Figure 7).

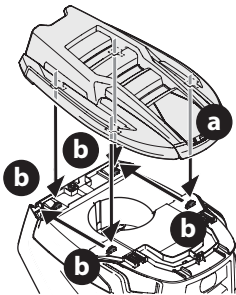
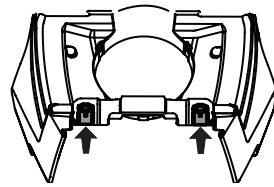


Figure 7

2. Insérez les pattes dans les trous du couvercle et tirez vers l'arrière pour les enclencher.
3. Pour retenir le couvercle, poussez vers le haut les deux languettes de blocage à l'arrière du capot (Figure 8).



Couvercle non illustré

Figure 8

Installation du couvercle à visser de capot (le cas échéant)

NOTE : Prenez garde de ne pas endommager le faisceau lorsque vous installez ce couvercle.

1. Ouvrez le capot, puis placez le couvercle sur le haut du capot et alignez les trous.
2. Pour fixer le couvercle (a), placez les boulons par le dessous, serrez à la main les boulons (b) sur la partie arrière du capot avant de bien les serrer (Figure 9).

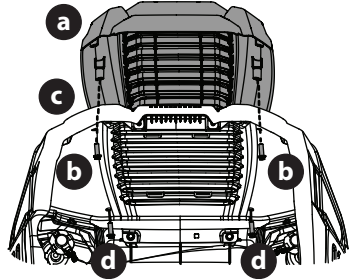


Figure 9

3. Puis, alignez les trous du couvercle (a) avec ceux du capot (c) et vissez les deux boulons (d) (Figure 9).
4. Serrez les quatre boulons à un couple de 2 à 3 N m (de 16 à 24 po-lb).

Installation du déflecteur de ventilation (le cas échéant)

NOTE : Prenez garde de ne pas endommager le faisceau de phares lorsque vous installez le déflecteur de ventilation.

Pour installer le déflecteur sur le capot :

1. Insérez les pattes arrière (c) (Figure 10).

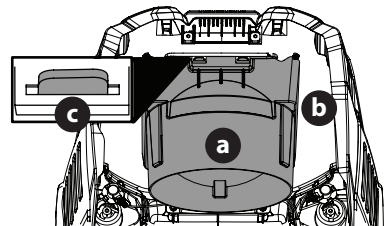


Figure 10

2. Puis, glissez les pattes avant (a) dans le déflecteur (Figure 11).

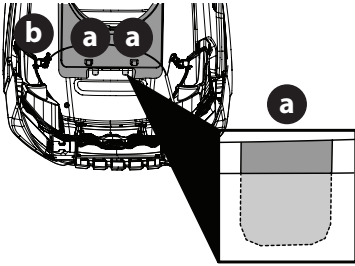


Figure 11

NOTE : Les pattes arrière devraient se placer dans la partie creuse sur le haut du capot. Elles s'enclenchent du dessous du capot et dans la partie creuse.

3. Pressez sur le dessous du déflecteur de ventilation pour vous assurer qu'il est bien installé.
4. Placez le faisceau du phare (a) entre les deux guides (b) sur le devant du déflecteur (Figure 12).

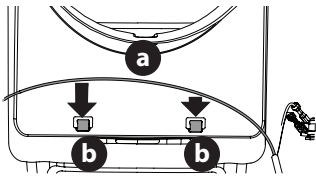


Figure 12

Installation du couvercle du tableau de bord (le cas échéant)

Pour installer le couvercle du tableau de bord (a), alignez les pattes (b) du couvercle (a) avec les trous sur la partie supérieure du tableau de bord (Figure 13). Glissez les pattes (b) dans les trous de la partie supérieure et pressez sur le couvercle pour les enclencher.

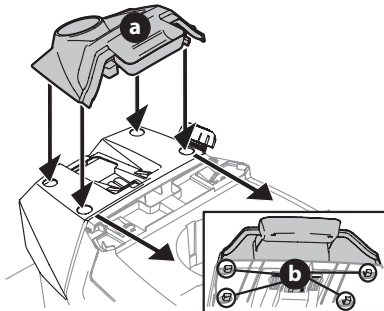


Figure 13

NOTE : Pressez sur la partie inférieure du couvercle (a) faisant face au poste du conducteur pour vous assurer que les pattes inférieures sont bien enclenchées (Figure 13).

Installation du volant de direction (le cas échéant)

La quincaillerie pour installer le volant de direction se trouve sous le capuchon du volant. Retirez avec précaution le couvercle. Pour ce faire, insérez un petit tournevis plat dans une des trois languettes et soulevez le capuchon pour retirer la quincaillerie.

IMPORTANT ! N'utilisez pas d'outils de frappe pour installer ou retirer le volant, car cela peut causer un surcouple et endommager l'attache.

1. Placez les roues de l'appareil de sorte qu'elles pointent vers l'avant, puis placez le volant de direction (a) sur l'arbre de direction (d) en vous assurant que la ligne au milieu (b) du volant (a) pointe vers l'avant et que la partie plate du volant (c) soit face vers le siège (Figure 14).

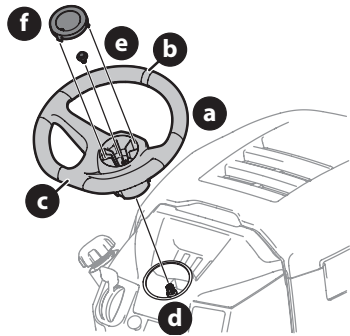


Figure 14

2. Fixez le volant de direction (a) avec le boulon hexagonal (e) qui se trouve sous le capuchon (f). Serrez le boulon à un couple de 24-30 N m (18 à 22 pi-lb) (Figure 14).
3. Placez le couvercle du volant de direction (f) au centre du volant de direction (a) et poussez-le jusqu'à ce qu'il s'enclenche (Figure 14).

NOTE : Un enduit frein est appliqué sur le boulon (e) qui fixe le volant de direction (a). Si vous retirez le boulon, il est recommandé d'appliquer de l'enduit frein ou de remplacer le boulon (e) (Figure 14).

Installation du pare-chocs avant (le cas échéant)

⚠ AVERTISSEMENT

Débrayez la prise de force, engagez le frein de stationnement et arrêtez le moteur du tracteur avant d'installer la lame à neige. Stationnez l'appareil sur une surface plane et solide avant d'installer l'accessoire ou de le retirer.

Le système d'échappement et les surfaces environnantes sont chauds. Pour éviter tout risque de blessures, laissez l'appareil refroidir avant de commencer toute procédure d'installation ou de retrait.

La quincaillerie pour l'installation du pare-chocs avant se trouve sur le pare-chocs.

PRÉPARATION

1. Retirez les quatre boulons (a) du pare-chocs (b) (Figure 15).
2. Placez les supports du pare-chocs à l'intérieur du châssis et fixez-les avec les quatre vis hexagonales (a) (Figure 15).

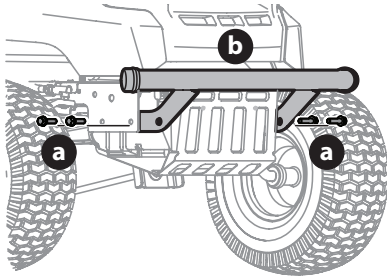


Figure 15

Installation du grillage de protection FastAttach^{MC} (le cas échéant)

1. Alignez le grillage de protection avec les attaches FastAttach^{MC} installées à l'étape 1 et faites insérer le grillage dans les attaches (Figure 16).

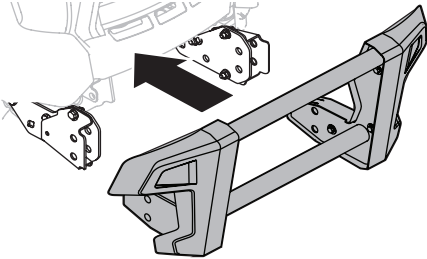


Figure 16

2. Insérez les goupilles de chaque côté du grillage de protection avant d'installer les deux goupilles fendues fournies dans le sachet de quincaillerie (Figure 17).

NOTE : Soulevez légèrement le grillage pour faciliter l'installation des axes de chape.

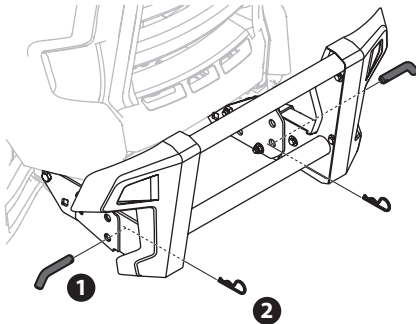


Figure 17

Déflecteur d'éjection du plateau de coupe

⚠ AVERTISSEMENT

Ne jamais utiliser le carter de tondeuse sans le déflecteur de goutte installé et en position basse.

PLATEAUX DE COUPE DE 46 PO :

1. Levez les clés qui sont attachées au support du déflecteur d'éjection.
2. Retirez l'écrou autobloquant à bride et le boulon hexagonal du plateau de coupe.
3. Placez le déflecteur d'éjection sur le plateau de coupe en insérant les pattes du déflecteur d'éjection dans les trous du plateau de coupe (Figure 18).

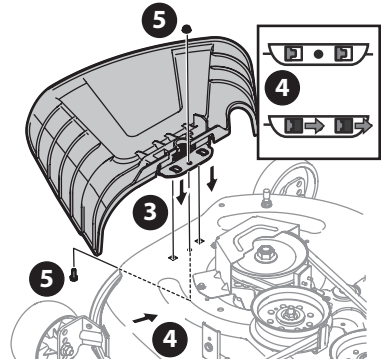


Figure 18

4. Glissez le déflecteur d'éjection vers l'arrière de l'appareil jusqu'à ce que le trou du boulon sur le déflecteur d'éjection s'aligne avec le trou du plateau de coupe (Figure 18).
5. Fixez le déflecteur d'éjection avec l'écrou autobloquant à bride et le boulon hexagonal retirés à l'étape 2. Serrez à un couple de 12 à 14 N m (102-124 po-lb) (Figure 9 à la page 83). Passez à la sous-section Réglage des roues de jauge du plateau de coupe.

PLATEAUX DE COUPE DE 42, 50 ET 54 PO :

1. Repérez le support qui retient le déflecteur d'éjection en position verticale à des fins d'expédition. Retirez le support du déflecteur d'éjection, si présent, avant d'utiliser l'appareil. Relevez le déflecteur d'éjection et maintenez-le dans cette position pour enlever le support. Abaissez le déflecteur d'éjection et jetez le support (Figure 19).

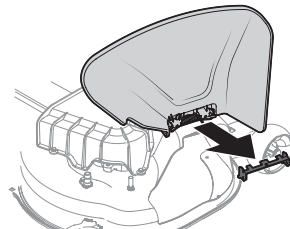


Figure 19

Réglage des roues de jauge du plateau de coupe

NOTE : Les roues du plateau de coupe préviennent le dégazonnement de la pelouse. Ces roues ne doivent pas toucher le sol.

1. Stationnez l'appareil sur une surface plane, préférablement asphaltée.
2. Vérifiez la pression des pneus et réglez-la au besoin. La pression appropriée est indiquée sur le flanc du pneu.
3. Vérifiez que le plateau de coupe est de niveau latéralement et bien ajusté. Consultez la section Entretien des produits pour plus d'informations sur la mise à niveau du plateau de coupe.
4. Placez le levier de relevage du plateau à la position de coupe désirée.
5. Vérifiez s'il y a trop de jeu ou de contact entre les roues de jauge avant et le sol.

NOTE : Les roues du plateau doivent être de 6,35-12,7 mm (1/4 po à 1/2 po) au-dessus du sol. Procédez comme suit pour régler les roues :

- a. Placez le levier de relevage du plateau à la plus haute position.
- b. Retirez les écrous autobloquants (c) et les boulons à épaulement (d) qui fixent la roue avant (a) et la roue arrière (b) au plateau de coupe, puis enlevez les roues (Figure 20).

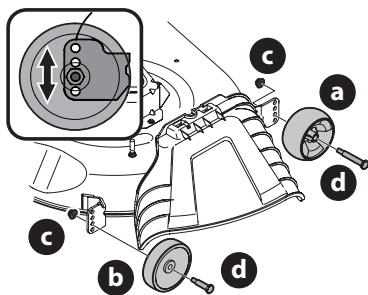


Figure 20

- c. Placez le levier de relevage à la position de coupe désirée.
- d. Reposez le boulon à épaulement de chaque roue dans le trou approprié de sorte que la roue soit à environ 13 mm (1/2 po) du sol. Serrez chaque écrou autobloquant et boulon à 34-41 N m (25-30 pi-lb) avec une clé dynamométrique.

INFORMATIONS SUR LA BATTERIE

⚠ AVERTISSEMENT

AVERTISSEMENT DE LA PROPOSITION 65 DE LA CALIFORNIE : Les bornes et les cosses de batterie ainsi que les accessoires connexes contiennent du plomb et des composés de plomb, soit des produits chimiques reconnus par l'État de Californie comme cancérigènes et pouvant provoquer des effets nuisibles à la reproduction. Lavez-vous les mains après toute manipulation.

⚠ AVERTISSEMENT

En cas d'éclaboussures accidentelles d'électrolyte dans les yeux ou sur la peau, rincez-les immédiatement avec de l'eau propre et froide. Consultez rapidement un médecin.

Si l'électrolyte se répand sur vos vêtements, lavez-les à l'eau froide. Neutralisez ensuite l'électrolyte avec une solution d'ammoniac et d'eau ou une solution de bicarbonate de soude et d'eau.

Ne branchez (et ne débranchez) JAMAIS les pinces du chargeur de batterie lorsque le chargeur est sous tension, car cela peut provoquer des étincelles.

Gardez la batterie loin des flammes et des sources d'étincelles (cigarettes, allumettes, briquets). Les gaz produits pendant la charge sont inflammables.

Par mesure de précaution supplémentaire, chargez toujours la batterie dans un endroit aéré.

Prenez soin de protéger vos yeux, votre peau et vos vêtements lorsque vous manipulez une batterie.

Les batteries contiennent de l'acide sulfurique et peuvent dégager des gaz explosifs. Soyez très prudent lorsque vous manipulez une batterie. Gardez les batteries hors de portée des enfants.

Une mauvaise manipulation de la batterie pourrait causer un incendie ou une brûlure chimique. N'ouvrez pas, ne démontez pas, ne surchauffez pas et ne brûlez pas la batterie.

⚠ ATTENTION

Branchez toujours le câble POSITIF (rouge) à sa borne avant de brancher le câble NÉGATIF (noir).

NOTE : La borne positive de la batterie est identifiée par POS (+). La borne négative de la batterie est identifiée par NEG (-).

Branchement des câbles de la batterie

⚠ AVERTISSEMENT

Branchez toujours le câble positif (rouge) à la batterie avant de brancher le câble négatif (noir) pour éviter toute formation d'étincelles et toute blessure en cas de court-circuit causé par le contact des outils avec l'appareil.

Aux fins d'expédition, les deux câbles de batterie de votre appareil peuvent avoir été débranchés en usine. Procédez comme suit pour brancher les câbles de la batterie :

NOTE : Le faisceau électrique doit être placé au-dessus de la barre de retenue de la batterie. Autrement, il risque d'être endommagé (Figure 22 à la page 88).

1. Retirez les boulons hexagonaux (a) et les écrous carrés (b) situés à l'extrémité du faisceau de fils électrique ou dans le sac avec ce manuel. Gardez la quincaillerie pour utilisation ultérieure (Figure 21).
2. Enlevez le couvercle en plastique (c), si équipé, de la borne positive (d) de la batterie et attachez le câble rouge (e) à la borne positive (b) de la batterie avec le boulon (a) et l'écrou carré (b) retirés à l'étape 1. Utiliser un tournevis Philips (Figure 21).
3. Placez la gaine en caoutchouc rouge au-dessus de la borne positive de la batterie pour aider à la protéger contre la corrosion. (Figure 21).
4. Enlevez le couvercle en plastique (c), si équipé, de la borne négative de la batterie (f) et attachez le câble noir (g) à la borne négative de la batterie (f) avec le boulon (a) et l'écrou carré (b) (Figure 21).

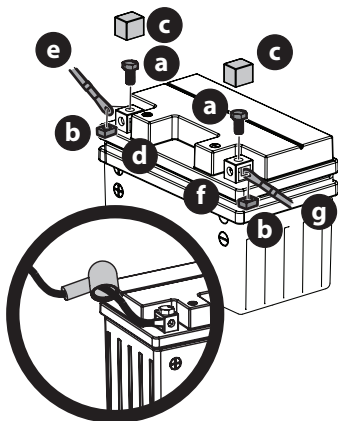


Figure 21

NOTE : Si la batterie est utilisée après la date indiquée sur la batterie, rechargez-la selon les instructions de la section Recharge de la batterie de ce manuel avant d'utiliser l'appareil.

Entretien de la batterie

- Certaines batteries sont remplies d'électrolyte et scellées à l'usine. Cependant, même une batterie « sans entretien » demande un peu d'entretien de temps à autre pour assurer son cycle de vie complet.
- Vaporisez les bornes et les fils exposés avec un scellant approprié ou appliquez une mince couche de graisse ou de gelée de pétrole sur les bornes pour les protéger contre la corrosion.
- Assurez-vous que les câbles et les bornes de la batterie sont toujours propres et non corrodés.
- Certains modèles sont équipés d'une batterie à électrolyte liquide. Manipulez la batterie avec soin et ne la renversez pas pour empêcher une fuite de liquide.

Remisage de la batterie

- Lorsque vous remisez l'appareil pour une longue période, débranchez le câble négatif de la batterie. Il n'est pas nécessaire de retirer la batterie.
- Toutes les batteries se déchargent pendant le remisage. Assurez-vous que l'extérieur de la batterie (surtout la partie supérieure) soit propre. Une batterie sale se décharge plus rapidement.
- La batterie doit être complètement chargée avant d'être remise. Une batterie déchargée gèle plus rapidement qu'une batterie chargée. Une batterie complètement chargée se conserve plus longtemps à des températures basses qu'à des températures élevées.
- Rechargez la batterie avant de vous en servir. L'appareil peut démarrer, mais le système de charge du moteur peut ne pas recharger la batterie complètement.

Démontage de la batterie

⚠ AVERTISSEMENT

Les bornes et les cosses de batterie ainsi que les accessoires connexes contiennent du plomb et des composés de plomb. Lavez-vous les mains après toute manipulation.

La batterie est située sous le châssis du siège. Pour retirer la batterie :

1. Retirez le boulon et l'écrou qui fixent le câble négatif (noir) à la borne négative (indiquée NÉG (-)). Placez le câble loin de la borne négative.
2. Retirez le boulon et l'écrou qui fixent le câble positif (rouge) à la borne positive de la batterie (indiquée POS (+)).

3. Enlevez la tige de retenue de la batterie. Pour ce faire, pressez l'extrémité recourbée pour la faire sortir de la patte sur l'aile à droite de la batterie. Faites pivoter la tige de retenue de la batterie (b) vers le haut et retirez la batterie (Figure 22).

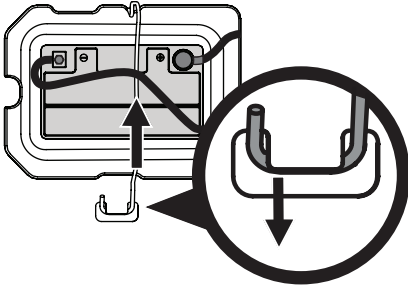


Figure 22

4. Enlevez la batterie avec précaution.
5. Pour installer la batterie, suivez les étapes ci-dessus dans l'ordre inverse.

Recharge de la batterie

Si l'appareil a été remis pendant une longue période, vérifiez la batterie et rechargez-la au besoin.

MODÈLES DOTÉS D'UNE BATTERIE AU PLOMB

- Si le voltmètre, ou le testeur de charge, indique 12,4 V (DC) ou moins aux bornes de batterie, la batterie doit être rechargée.
- Vous devez utiliser un chargeur pour batterie au plomb. Le niveau de charge recommandé est de 4 A / 14,7 V.
- Si le chargeur est automatique, chargez la batterie jusqu'à ce que l'indicateur du chargeur indique que la batterie est complètement chargée. Si le chargeur n'est pas automatique, chargez la batterie pendant au moins huit (8) heures.

MODÈLES DOTÉS D'UNE BATTERIE AGM

- Vous devez utiliser un chargeur pour batterie AGM. Le niveau de charge recommandé est de 1,1 A / 14,8 V.

IMPORTANT! N'utilisez pas de chargeur pour automobile.

- Si le chargeur est automatique, chargez la batterie jusqu'à ce que l'indicateur du chargeur indique que la batterie est complètement chargée. Si le chargeur n'est pas automatique, chargez la batterie pendant au moins huit (8) heures.

RÉGLAGE DU SIÈGE

Pour régler la position du siège, tirez le levier de réglage du siège vers le haut. Glissez le siège vers l'avant ou vers l'arrière à la position désirée, puis relâchez le levier de réglage. Assurez-vous que le siège est verrouillé avant d'utiliser l'appareil (Figure 23).

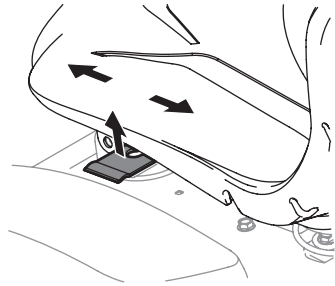


Figure 23

HUILE

NOTE : L'appareil est expédié avec de l'huile dans le moteur. Il est toutefois recommandé de vérifier le niveau d'huile avant d'utiliser l'appareil. Consultez la notice d'utilisation du moteur fournie séparément pour les instructions sur le remplissage d'huile et la vérification du niveau de l'huile.

⚠ ATTENTION

Vérifiez le niveau d'huile à moteur avant chaque utilisation selon les instructions de la notice d'utilisation du moteur. Ajoutez de l'huile au besoin. Un manque d'huile peut causer de graves dommages au moteur.

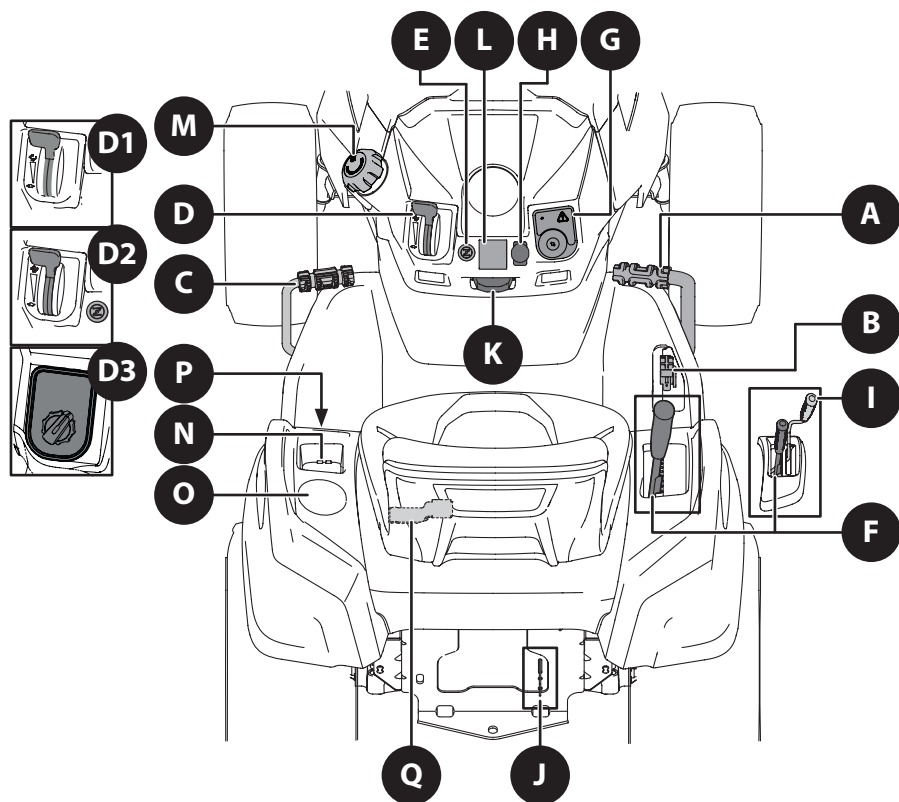


Figure 24

NOTE : Ce manuel est commun à plusieurs modèles. Les caractéristiques peuvent varier selon le modèle. Certaines caractéristiques décrites dans ce manuel peuvent ne pas s'appliquer à tous les modèles. Votre appareil peut différer du modèle illustré.

NOTE : Toutes les mentions de droite, gauche, avant et arrière ne s'entendent qu'à partir du poste de conduite. Les exceptions seront spécifiées, s'il y a lieu.

A. PÉDALE DE MARCHÉ AVANT

Appuyez sur la pédale de marche avant pour faire avancer l'appareil. Plus vous appuyez sur la pédale, plus l'appareil se déplace rapidement. La pédale revient à sa position initiale (neutre) lorsqu'elle est relâchée.

B. PÉDALE DE MARCHÉ ARRIÈRE

Appuyez sur la pédale de marche arrière pour faire reculer l'appareil. Plus vous appuyez sur la pédale, plus l'appareil se déplace rapidement. La pédale revient à sa position initiale (neutre) lorsqu'elle est relâchée.

C. PÉDALE DE FREIN

Pendant que le tracteur avance, appuyez sur la pédale de frein pour l'arrêter et pour serrer le frein de stationnement.

NOTE : La pédale de frein doit être complètement enfoncée pour permettre le démarrage du moteur. Consultez la sous-section Système de verrouillage de sécurité pour plus de détails.

D. COMMANDE D'ACCÉLÉRATEUR / D'ÉTRANGLEUR, COMMANDE D'ACCÉLÉRATEUR, COMMANDE D'ACCÉLÉRATEUR ÉLECTRONIQUE

1. **Commande d'accélérateur / d'étrangleur (le cas échéant)** - Déplacez le levier d'accélérateur/d'étrangleur vers l'avant pour augmenter la vitesse. L'appareil est conçu pour fonctionner avec le levier d'accélérateur/d'étrangleur à la position RAPIDE (plein régime) lorsque l'appareil avance et le plateau de coupe est engagé. Déplacez le levier d'accélérateur/d'étrangleur vers l'arrière pour réduire le régime du moteur. Au démarrage, poussez le levier à fond vers l'avant à la position ÉTRANGLEUR (CHOKE). Lorsque le moteur est en marche, déplacez le levier vers l'arrière jusqu'à ce qu'il ait passé le point de friction. Ce levier n'est pas utilisé pour contrôler la vitesse de l'appareil, il doit être maintenu à la position Rapide lorsque les lames sont embrayées.

2. Commande d'accélérateur (le cas échéant) -

Déplacez le levier d'accélérateur vers l'avant pour augmenter la vitesse. L'appareil est conçu pour fonctionner avec le levier d'accélérateur à la position RAPIDE (plein régime) lorsque l'appareil avance et le plateau de coupe est engagé. Déplacez le levier d'accélérateur vers l'arrière pour réduire le régime du moteur.

3. Commande d'accélérateur électronique (le cas échéant) -

Le régime du moteur sera maintenu selon le réglage choisi. Le module de commande d'accélérateur électronique reçoit des informations de divers capteurs pour déterminer à chaque instant la charge à laquelle le moteur est soumis. Le réglage « CUT » assure une performance optimale dans des conditions d'utilisation normales. Le réglage « POWER CUT » assure une performance optimale dans des conditions d'utilisation anormales.

NOTE : Les tracteurs équipés du module de commande d'accélérateur électronique peuvent être démarrés à n'importe quel réglage de vitesse désiré. Cette commande réglera la vitesse de l'appareil au régime approprié.

NOTE : L'ajustement au régime approprié peut prendre quelques secondes, ceci est normal.

E. COMMANDE D'ÉTRANGLEUR (LE CAS ÉCHÉANT)

Elle sert à contrôler le degré d'ouverture du papillon d'étrangleur. Tirez le bouton pour actionner l'étrangleur ou pressez le bouton pour désactiver l'étrangleur. Si le tracteur en est équipé, il sera aussi doté d'une commande d'accélérateur. Tirez le bouton pour fermer le papillon pendant le démarrage à froid. Lorsque le moteur démarre, pressez le bouton à fond pour faire fonctionner le moteur à plein régime.



F. LEVIER DE RELEVAGE DU PLATEAU DE COUPE

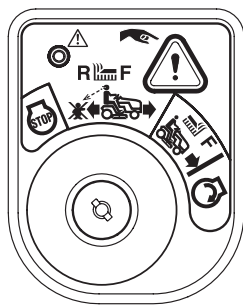
Ce levier sert à relever et abaisser le plateau de coupe. Tirez le levier vers la gauche pour le faire sortir de la barre de réglage et déplacez-le vers le bas pour abaisser le plateau ou tirez-le vers le haut pour le relever. Lorsque le plateau de coupe est à la hauteur voulue, poussez le levier vers la droite jusqu'à ce qu'elle soit bien enclenchée dans l'encoche.

G. COMMUTATEUR D'ALLUMAGE Clé de démarrage (le cas échéant)

⚠ AVERTISSEMENT

Ne laissez jamais votre appareil en marche sans surveillance. Débrayez toujours la prise de force, engagez le frein de stationnement, arrêtez le moteur et retirez la clé de contact pour empêcher tout démarrage accidentel.

Consultez la sous-section Démarrage du moteur pour des renseignements sur le démarrage du moteur. Consultez la sous-section Arrêt du moteur pour des renseignements sur l'arrêt du moteur.



⚠ ATTENTION

Avant d'utiliser l'appareil, consultez les sous-sections Système de verrouillage de sécurité et Démarrage du moteur de la section Utilisation de ce manuel pour plus d'informations sur le module de commutateur d'allumage et le mode de tonte en marche arrière.

Démarrage par bouton-poussoir/écran de rappel d'entretien et compteur d'heures (le cas échéant)

⚠ ATTENTION

Ne laissez jamais votre appareil en marche sans surveillance. Débrayez toujours la prise de force, engagez le frein de stationnement, arrêtez le moteur et retirez la clé de contact pour empêcher tout démarrage accidentel.

NOTE : Si le bouton de mode de tonte en marche arrière est enfoncé au démarrage, le moteur ne démarrera pas et il faudra recommencer la procédure de démarrage.

Pressez sur le bouton-poussoir ou retirez la clé de contact pour arrêter le moteur.

Lorsque vous insérez la clé de contact et vous la gardez enfoncée pendant moins de 0,5 seconde, l'écran de rappels d'entretien affiche brièvement la tension de la batterie, puis le nombre d'heures d'utilisation de l'appareil.



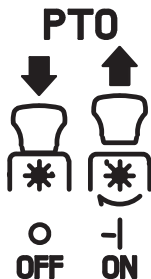
NOTE : Le compteur d'heures enregistre les heures d'utilisation de l'appareil lorsque le moteur est en marche.

Un rappel d'entretien est affiché à l'écran ACL lorsqu'il faut changer l'huile à moteur ou lorsqu'il est recommandé de vérifier le filtre à air. L'écran ACL vous avertit également si le niveau d'huile est bas ou si la batterie est faible.

H. BOUTON DE PRISE DE FORCE ÉLECTRIQUE (EMBRAYAGE DES LAMES) (LE CAS ÉCHÉANT)

Ce bouton permet d'embrayer la prise de force électrique qui est installée à la base du vilebrequin du moteur. Tirez le bouton pour embrayer la prise de force ou pressez le bouton pour la débrayer.

Ce bouton doit être à la position débrayée lorsque vous démarrez le moteur. Consultez la sous-section Embrayage de la prise de Force électrique pour plus d'informations sur l'utilisation de la prise de force.



I. LEVIER DE LA PRISE DE FORCE (EMBRAYAGE DES LAMES)

Le levier de la prise de force est utilisé pour embrayer le plateau de coupe ou tout autre accessoire (disponible séparément). Consultez la sous-section Embrayage de la prise de Force manuelle pour plus d'informations sur l'utilisation de la prise de force.



J. TIGE DE DÉRIVATION DE LA TRANSMISSION

Lorsqu'elle est engagée, la tige ouvre la soupape de dérivation dans la transmission hydrostatique, permettant ainsi de déplacer l'appareil manuellement sur de courtes distances. Consultez la section Préparation pour plus d'informations sur l'utilisation du levier de dérivation de la transmission.

⚠ ATTENTION

Ne remorquez jamais votre appareil. Le remorquage de l'appareil avec les roues arrière au sol peut gravement endommager la transmission.

K. LEVIER DU FREIN DE STATIONNEMENT ET DU RÉGULATEUR DE VITESSE

Ce levier sert à engager le frein de stationnement et à régler le régulateur de vitesse. Consultez la section Utilisation du tracteur de ce manuel pour plus d'instructions sur l'utilisation du frein de stationnement.

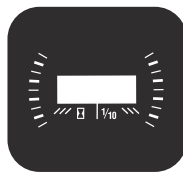


NOTE : Engagez toujours le frein de stationnement lorsque vous quittez le poste de conduite pendant que le moteur tourne, sinon le moteur s'arrêtera automatiquement.

NOTE : Le régulateur de vitesse NE peut PAS être réglé à la plus haute vitesse de déplacement.

L. ÉCRAN ACL DE RAPPELS D'ENTRETIEN ET COMPTEUR D'HEURES (LE CAS ÉCHÉANT)

Un rappel d'entretien est affiché à l'écran ACL lorsqu'il faut changer l'huile à moteur ou lorsqu'il est recommandé de vérifier le filtre à air. L'écran vous avertit également si le niveau d'huile est bas ou si la batterie est faible. Lorsque la clé de contact est déplacée de la position ARRÊT (STOP) à toute autre position que celle de démarrage, l'écran affiche brièvement la tension de la batterie, puis le nombre d'heures d'utilisation.



NOTE : Lorsque la clé de contact est déplacée de la position ARRÊT (STOP), le compteur d'heures enregistre la durée d'utilisation (le sablier est activé), même si le moteur n'a pas été démarré.

Changement d'huile

Lorsqu'un changement d'huile est nécessaire, l'écran ACL affichera les lettres « CHG » (huile) et « SOON » (bientôt), puis le nombre d'heures d'utilisation. L'affichage des lettres « CHG / OIL / SOON » et du nombre d'heures d'utilisation sera alterné sur l'écran pendant 7 minutes quand le compteur d'heures atteindra 50 heures d'utilisation. Le rappel de changement d'huile s'affiche toutes les 50 heures d'utilisation. Changez l'huile à moteur dans le délai indiqué, selon les instructions de la notice d'utilisation du moteur.

Niveau d'huile bas

NOTE : La fonction « Pression d'huile basse » n'est disponible que si le moteur est équipé d'un interrupteur de pression d'huile.

Si la pression d'huile du moteur est basse, l'écran ACL affichera les lettres « LO » et « OIL » (huile), puis le nombre d'heures d'utilisation. Ceci est normal lors du démarrage du moteur. Après le démarrage, le témoin restera allumé jusqu'à ce que le moteur produise assez de pression. Si le moteur a fonctionné à plein régime pendant quelques minutes et le témoin demeure allumé, arrêtez l'appareil immédiatement et vérifiez le niveau d'huile à moteur selon les instructions dans la notice d'utilisation du moteur. Si le témoin demeure allumé tandis que le niveau d'huile est correct, contactez un centre de service agréé.

Batterie faible

Au démarrage, l'écran ACL affiche brièvement la tension de la batterie, puis le nombre d'heures d'utilisation. Si la batterie est faible, l'écran ACL affichera les lettres « LO » et « BATT », puis le nombre d'heures d'utilisation de l'appareil. Les lettres « LO / BATT » et les heures d'utilisation seront affichées si la tension est inférieure à 11,5 volts. Ce message est affiché si la batterie n'est pas assez chargée ou si le système de charge du moteur ne produit pas assez d'intensité. Rechargez la batterie selon les instructions de la section Recharge de la batterie de ce manuel ou visitez le centre de service de votre région pour faire vérifier le système de charge.

Vérification du filtre à air

Lorsqu'un changement d'huile est nécessaire, l'écran ACL affichera les lettres « CHG », « OIL » (huile) et « SOON » (bientôt), puis le nombre d'heures d'utilisation. L'affichage des lettres « CLN / AIR / FILT » et du nombre d'heures d'utilisation sera alterné sur l'écran pendant 7 minutes quand le compteur d'heures atteindra 25 heures d'utilisation. Le rappel d'entretien du filtre à air s'affiche toutes les 25 heures d'utilisation. Lorsque le rappel d'entretien du filtre à air coïncide avec celui du changement d'huile, l'écran affiche d'abord le rappel de changement d'huile, puis celui du filtre à air.

M. BOUCHON POUR RÉSERVOIR D'ESSENCE

Tournez le bouchon vers la gauche jusqu'à ce qu'il ait au moins deux dé clics. Puis, tirez-le vers le haut pour le retirer. Le bouchon est attaché à l'appareil pour qu'il ne se perde pas. Ne détachez pas le bouchon du réservoir. Remplissez le réservoir jusqu'à 12,7 mm (1/2 po) du col de remplissage pour laisser assez d'espace pour permettre la dilatation de l'essence. Le réservoir d'essence contient environ 2,5 (9,46 litres) (moteurs à injection électronique uniquement) ou 3 gallons (11,35 litres) d'essence.

Pour replacer le bouchon, pressez sur le bouchon et tournez-le vers la droite jusqu'à ce qu'il y ait au moins deux dé clics. Resserrez bien le bouchon après l'avoir retiré.

AVERTISSEMENT

Ne faites jamais le plein lorsque le moteur est en marche. Si le moteur est chaud, attendez qu'il refroidisse pendant au moins cinq minutes avant de faire le plein. L'essence est inflammable et ses éclaboussures sur un moteur chaud risquent de provoquer un incendie.

N. BAC DE RANGEMENT

Le bac de rangement se trouve à gauche du siège du conducteur.

O. PORTE-GOBELET

Le porte-gobelet se trouve à gauche du siège du conducteur.

P. PÉDALE DE VERROUILLAGE DU DIFFÉRENTIEL (LE CAS ÉCHÉANT)

Lorsque le différentiel est verrouillé, les pneus arrière roulent à la même vitesse, ce qui augmente la traction du tracteur. Consultez la section Utilisation de la pédale de verrouillage du différentiel (le cas échéant) pour plus d'informations sur l'utilisation du système de verrouillage du différentiel.

Q. LEVIER DE RÉGLAGE DU SIÈGE

Ce levier de réglage permet d'ajuster le siège du conducteur vers l'avant ou vers l'arrière. Consultez la section Préparation pour plus d'informations sur le réglage du siège.

PHARES (NON INDIQUÉ)

Les phares s'allument lorsque la clé de contact est tournée hors de la position ARRÊT (STOP). Les phares s'éteignent lorsque la clé de contact est tournée à la position ARRÊT (STOP).

Pour les tracteurs dotés d'un bouton-poussoir de démarrage : les phares restent allumés quand le moteur est en marche. Vous pouvez allumer les phares en 15 secondes sans avoir à être assis en appuyant une fois sur le bouton de démarrage. Asseyez-vous ou démarrez le moteur pour garder les phares allumés.

UTILISATION

Avant d'utiliser votre appareil

- Avant d'utiliser l'appareil, consultez le tableau d'entretien de ce manuel de l'information sur l'entretien de l'appareil.
- Le moteur de l'appareil est conçu pour fonctionner avec de l'essence propre, fraîche et sans plomb. Utilisez de l'essence propre, fraîche, sans plomb, avec un indice d'octane de 87 ou plus.
- N'utilisez pas de l'essence de la saison précédente pour réduire la formation de dépôts dans le système d'alimentation.
- L'essence-alcool (comprenant jusqu'à 10 % d'alcool éthylique et 90 % d'essence sans plomb en volume) est un carburant approuvé. Les autres mélanges d'essence et d'alcool ne sont pas approuvés.
- Les mélanges de méthyl tert-butyl éther (MTBE) et d'essence sans plomb (jusqu'à un maximum de 15 % de MTBE en volume) sont approuvés. Les autres mélanges d'alcool et d'éther ne sont pas approuvés.

Système de verrouillage de sécurité

AVERTISSEMENT

N'utilisez pas l'appareil si un composant du système de verrouillage est défectueux. Ce système a été conçu pour votre sécurité et votre protection.

Cet appareil est équipé d'un système de verrouillage de sécurité pour assurer la protection de l'utilisateur. Si ce système ne fonctionne pas correctement, n'utilisez pas l'appareil. Contactez un centre de service agréé.

- Le système de verrouillage de sécurité empêche le démarrage du moteur si le frein de stationnement n'est pas engagé, si l'utilisateur s'est levé du siège, si la pédale de frein n'est pas appuyée à fond et si le bouton de la prise de force ou le levier de la prise de force n'est pas à la position débrayée.
- Le moteur s'arrête automatiquement si le conducteur quitte le poste de conduite sans engager le frein de stationnement.
- Le moteur s'arrête automatiquement si le conducteur se lève quand le bouton de la prise de force ou le levier de la prise de force est à la position embrayée, que le frein de stationnement soit serré ou non.
- La prise de force est automatiquement débrayée quand la clé de contact est à la position de tonte normale, le bouton de la prise de force est à la position embrayée et la pédale de la marche arrière est enfoncée.

Vérification des circuits du système de sécurité

Vérifiez régulièrement le bon fonctionnement des circuits du système de sécurité. Si un circuit ne fonctionne pas comme prévu, contactez un centre de service agréé pour faire inspecter l'appareil. N'utilisez PAS l'appareil si un circuit du système de sécurité ne fonctionne pas correctement. Procédez comme suit pour vérifier les circuits :

1. Assurez-vous que le moteur est arrêté et que vous êtes assis avant de placer le bouton ou le levier de la prise de force à la position embrayée. Tournez brièvement la clé de contact à la position de démarrage. Le moteur ne devrait pas démarrer.
2. Levez-vous pendant que le moteur est en marche et que le frein de stationnement n'est pas serré. Le moteur devrait s'arrêter.
3. Embrayez la prise de force avec le frein de stationnement serré. Soulevez-vous du siège du conducteur. Le moteur devrait s'arrêter.

Démarrage du moteur

ATTENTION

L'utilisateur doit être assis pour démarrer le moteur.

Pour les tracteurs équipés d'une clé de démarrage, suivez les instructions ci-dessous. Pour ceux équipés d'un bouton-poussoir, suivez les instructions de la sous-section Bouton-poussoir de démarrage.

CLÉ DE DÉMARRAGE, COMMANDE D'ACCÉLÉRATEUR ET COMMANDE D'ÉTRANGLEUR

1. Insérez la clé de contact dans le commutateur d'allumage.
2. Débrayez la prise de force.
3. Engagez le frein de stationnement.
4. Actionnez l'étrangleur (le cas échéant).

NOTE : Il n'est pas nécessaire d'étrangler le moteur s'il est déjà chaud.

5. Placez le levier d'accélérateur à mi-chemin entre la position RAPIDE et la position LENTE.

NOTE : Assurez-vous que le levier d'accélérateur est toujours à la position RAPIDE lorsque vous utilisez l'appareil.

6. Tournez la clé de contact dans le sens horaire à la position de démarrage. Relâchez la clé dès que le moteur démarre. La clé retournera automatiquement à la position de tonte normale.

ATTENTION

NE tenez PAS la clé dans la position de démarrage pendant plus de dix secondes à la fois car cela risque d'endommager le démarreur électrique du moteur.

7. Pendant que le moteur est en marche, débrayez l'étrangleur. N'utilisez pas l'étrangleur pour enrichir le mélange de carburant. Utilisez l'étrangleur au besoin pour faire démarrer le moteur.
8. Laissez le moteur en marche à mi-régime pendant quelques minutes avant d'appliquer une charge.

NOTE : Assurez-vous que le levier d'accélérateur est toujours à la position RAPIDE lorsque vous utilisez l'appareil.

9. Vérifiez l'écran de rappels d'entretien. Si l'écran indique que le niveau d'huile est bas ou que la batterie est faible, arrêtez immédiatement le moteur. Faites inspecter votre appareil dans un centre de service agréé.

NOTE : Il n'y a pas de pression d'huile lorsque le moteur ne fonctionne pas. Cet état peut être indiqué par le témoin de pression d'huile.

CLÉ DE DÉMARRAGE ET COMMANDE D'ACCÉLÉRATEUR / D'ÉTRANGLEUR

1. Placez la clé de contact dans le commutateur d'allumage.
2. Débrayez la prise de force.
3. Engagez le frein de stationnement.
4. Poussez le levier d'accélérateur, au-delà du point de friction de l'étrangleur, pour actionner l'étrangleur.

NOTE : Il n'est pas nécessaire d'étrangler le moteur s'il est déjà chaud.

5. Tournez la clé de contact dans le sens horaire à la position de démarrage. Relâchez la clé dès que le moteur démarre. La clé retournera automatiquement à la position de tonte normale.

ATTENTION

NE tenez PAS la clé dans la position de démarrage pendant plus de dix secondes à la fois car cela risque d'endommager le démarreur électrique du moteur.

6. Pendant que le moteur est en marche, tirez graduellement le levier d'accélérateur/d'étrangleur vers l'arrière, au-delà du point de friction de l'étrangleur. N'utilisez pas l'étrangleur pour enrichir le mélange de carburant. Utilisez l'étrangleur au besoin pour faire démarrer le moteur.
7. Laissez le moteur en marche à mi-régime pendant quelques minutes avant d'appliquer une charge.

NOTE : Assurez-vous que le levier d'accélérateur est toujours à la position RAPIDE lorsque vous utilisez l'appareil.

8. Vérifiez l'écran de rappels d'entretien. Si l'écran indique que le niveau d'huile est bas ou que la batterie est faible, arrêtez immédiatement le moteur. Faites inspecter votre appareil dans un centre de service agréé.

NOTE : Il n'y a pas de pression d'huile lorsque le moteur ne fonctionne pas. Cet état peut être indiqué par le témoin de pression d'huile.

CLÉ DE DÉMARRAGE, COMMANDE D'ACCÉLÉRATEUR ÉLECTRONIQUE

1. Placez la clé de contact dans le commutateur d'allumage.
2. Débrayez la prise de force.
3. Engagez le frein de stationnement.
4. Placez le bouton rotatif de la commande électronique à la position désirée.

NOTE : Les tracteurs équipés du module de commande électronique peuvent être démarrés à n'importe quel réglage de vitesse désiré. La commande électronique réglera la vitesse de l'appareil au régime approprié.

5. Tournez la clé de contact dans le sens horaire à la position de démarrage. Relâchez la clé dès que le moteur démarre. La clé retournera automatiquement à la position de tonte normale.

NOTE : L'ajustement au régime approprié peut prendre quelques secondes, ceci est normal.

BOUTON-POUSSOIR DE DÉMARRAGE

1. Débrayez la prise de force et installez-vous sur le siège. Il est impossible d'allumer le module du bouton-poussoir sans être assis sur le siège.
2. Insérez la clé de contact.
3. Engagez le frein de stationnement.
4. Placez le levier d'accélérateur à la position RAPIDE.
5. Appuyez sur la clé de contact. Relâchez la clé dès que le moteur démarre. Elle retournera à sa position initiale.

NOTE : Assurez-vous que le levier d'accélérateur est toujours à la position RAPIDE lorsque vous utilisez l'appareil. Faites fonctionner l'appareil à plein régime pour éviter de réduire la durée de vie de la batterie.

Démarrage par temps froid

Pour démarrer le moteur lorsque la température est près ou au-dessous du point de congélation, utilisez une huile à moteur qui présente la viscosité appropriée et vérifiez que la batterie est complètement chargée. Démarrez le moteur comme suit :

1. Assurez-vous que la batterie est en bon état. Une batterie réchauffée a une plus grande capacité de démarrage qu'une batterie froide.
2. Utilisez de l'essence fraîche, appropriée pour l'hiver. L'essence pour l'hiver est plus volatile pour faciliter le démarrage. N'utilisez pas l'essence de la saison précédente.
3. Pour démarrer le moteur, suivez les instructions de la sous-section Démarrage du moteur.

Démarrage du moteur à l'aide de câbles de démarrage

⚠ AVERTISSEMENT

Les batteries contiennent de l'acide sulfurique et peuvent dégager des gaz explosifs. Assurez-vous que la zone de travail est bien aérée, portez des gants et des lunettes de protection et évitez de produire des flammes et des étincelles près de la batterie.

Si la charge de la batterie est insuffisante pour faire démarrer le moteur, rechargez la batterie. Si vous n'avez pas de chargeur de batterie, utilisez une batterie d'appoint pour démarrer le moteur. Branchez la batterie d'appoint comme suit :

1. Branchez l'extrémité d'un câble à la borne positive de la batterie déchargée, puis branchez l'autre extrémité du câble à la borne positive de la batterie d'appoint.

2. Branchez l'extrémité de l'autre câble à la borne négative de la batterie d'appoint, puis branchez son autre extrémité au châssis de l'appareil, le plus loin possible de la batterie.
3. Démarrez le moteur de l'appareil selon les instructions de démarrage normal précédentes. Débranchez ensuite les câbles de démarrage dans l'ordre inverse de leur branchement.
4. Faites vérifier et réparer le système électrique de l'appareil dès que possible pour ne pas avoir à recharger la batterie de nouveau.

Arrêt du moteur

1. Si les lames sont embrayées, placez le levier ou le bouton de la prise de force à la position débrayée.
2. Engagez le frein de stationnement.
3. Placez le levier d'accélérateur à mi-chemin entre la position RAPIDE et la position LENTE.
4. Tournez la clé de contact vers la gauche à la position ARRÊT (STOP). Pour les tracteurs dotés d'un bouton-poussoir, appuyez sur le bouton-poussoir ou retirez-le.

UTILISATION DU TRACTEUR

⚠ AVERTISSEMENT

Appuyez lentement et doucement sur les pédales de déplacement et la pédale de frein. Tout mouvement brusque des pédales peut affecter la stabilité du tracteur et causer son renversement, ce qui peut entraîner de graves blessures, voire la mort.

1. Appuyez sur la pédale de frein pour désengager le frein de stationnement. Placez le levier d'accélérateur à la position RAPIDE.
2. Pour vous déplacer en marche avant, appuyez doucement sur la pédale de marche avant (a) jusqu'à ce que vous atteigniez la vitesse désirée (Figure 25).
3. Pour vous déplacer en marche arrière, regardez d'abord derrière vous, puis appuyez doucement sur la pédale de marche arrière jusqu'à ce que vous atteigniez la vitesse désirée (Figure 25).

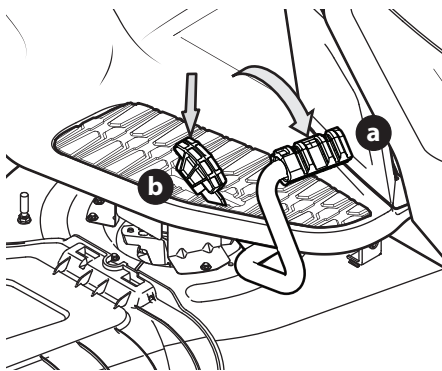


Figure 25

⚠ AVERTISSEMENT

- Un virage très serré risque de réduire le contrôle de l'appareil. Ralentissez TOUJOURS avant d'effectuer un virage serré.
- Ne vous levez pas sans avoir débrayé la prise de force et serré le frein de stationnement. Arrêtez le moteur et retirez la clé de contact si vous laissez l'appareil sans surveillance.

UTILISATION DU FREIN DE STATIONNEMENT

NOTE : Engagez toujours le frein de stationnement lorsque vous quittez le poste de conduite pendant que le moteur tourne, sinon le moteur s'arrêtera automatiquement.

Pour engager le frein de stationnement :

1. Appuyez à fond sur la pédale de frein avec votre pied gauche et gardez-la enfoncée.
2. Pressez sur le levier du frein de stationnement / régulateur de vitesse et maintenez-le dans cette position.
3. Enlevez votre pied de la pédale de frein.
4. Relâchez le levier du frein de stationnement / régulateur de vitesse.

La pédale de frein doit rester enfoncée après que vous avez effectué l'étape 3. Si tel n'est pas le cas, le frein de stationnement n'est pas engagé. Répétez les étapes 1 à 4 pour serrer le frein.

Pour désengager le frein de stationnement, appuyez légèrement sur la pédale de frein.

RÉGLAGE DU RÉGULATEUR DE VITESSE

⚠ AVERTISSEMENT

Vous ne devez pas activer le régulateur de vitesse lorsque vous utilisez le tracteur en marche arrière. Le régulateur de vitesse ne fonctionne pas en marche arrière.

Pour régler le régulateur de vitesse :

1. Appuyez sur la pédale de marche avant avec votre pied droit jusqu'à ce que vous atteigniez la vitesse désirée.
2. Pressez sur le levier du frein de stationnement / régulateur de vitesse et maintenez-le dans cette position.
3. Enlevez votre pied de la pédale de marche avant.
4. Relâchez le levier du frein de stationnement / régulateur de vitesse.

La pédale de marche avant devrait rester enfoncée; le tracteur maintiendra alors une vitesse constante. Si tel n'est pas le cas, le régulateur de vitesse n'est pas engagé. Répétez les étapes 1 à 4 pour activer le régulateur de vitesse.

Pour désengager le régulateur de vitesse, appuyez légèrement sur la pédale de marche avant ou sur la pédale de frein.

MODE DE TONTE EN MARCHÉ ARRIÈRE

Mode de tonte en marche arrière (modèles avec clé de démarrage)

Le mode de tonte en marche arrière permet de tondre l'herbe en marche arrière quand la prise de force est embrayée.

NOTE : Il n'est pas recommandé de tondre en marche arrière.

⚠ AVERTISSEMENT

Soyez très prudent lorsque vous utilisez le mode de tonte en marche arrière. Regardez toujours vers le sol et derrière vous avant de reculer et lorsque vous reculez. N'utilisez pas l'appareil si des personnes se trouvent à proximité. Arrêtez immédiatement l'appareil si quelqu'un s'approche de la zone de travail.

Pour utiliser l'appareil en mode de tonte en marche arrière :

NOTE : L'utilisateur DOIT être en position assise.

1. Démarrez le moteur selon les instructions précédentes.
2. Tournez la clé de la position de tonte normale (a) à la position de tonte en marche arrière (b) (Figure 26).



Figure 26

3. Pressez le bouton du mode de tonte en marche arrière (c) sur le coin supérieur droit du tableau de bord pendant trois secondes. Le témoin lumineux rouge (d) dans le coin supérieur gauche s'allume lorsque le bouton de marche arrière est activé (Figure 26).
4. Lorsque le bouton de marche arrière est activé (le témoin est allumé), l'appareil peut être utilisé en marche arrière avec les lames de coupe engagées.
5. Regardez toujours derrière vous et vers le sol avant de reculer et lorsque vous reculez pour vous assurer qu'il n'y a pas d'enfants à proximité. Après avoir repris la marche avant, tournez la clé à la position de tonte normale (a) (Figure 26).

Le mode de tonte en marche arrière (b) demeure activé jusqu'à ce que :


- La clé soit placée à la position de tonte normale (a) ou à la position ARRÊT (e) (Figure 26).
- L'utilisateur se lève (prise de force électrique) ou le frein de stationnement est engagé (prise de force manuelle).

Mode de tonte en marche arrière (modèles avec bouton-poussoir de démarrage)

Le mode de tonte en marche arrière permet de tondre l'herbe en marche arrière quand la prise de force est embrayée.

NOTE : Il n'est pas recommandé de tondre en marche arrière.

⚠ AVERTISSEMENT

Soyez très prudent lorsque vous utilisez le mode de tonte en marche arrière . Regardez toujours vers le sol et derrière vous avant de reculer et lorsque vous reculez. N'utilisez pas l'appareil si des personnes se trouvent à proximité. Arrêtez immédiatement l'appareil si quelqu'un s'approche de la zone de travail.

Pour utiliser l'appareil en mode de tonte en marche arrière :

NOTE : L'utilisateur DOIT être en position assise.

1. Démarrez le moteur selon les instructions précédentes.
2. Pressez le bouton de mode de tonte en marche arrière pendant trois secondes. Le témoin clignote pendant 3 secondes et reste allumé lorsque ce mode est activé (Figure 27).
3. Le témoin lumineux au-dessus du bouton de mode de tonte en marche arrière s'allume lorsque le mode de tonte en marche arrière est activé (Figure 27).

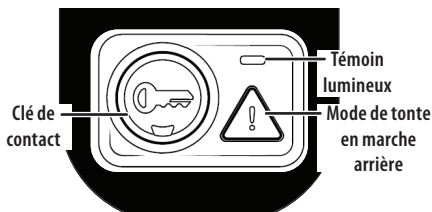


Figure 27

4. Lorsque le bouton de marche arrière est activé (le témoin lumineux est allumé), l'appareil peut être utilisé en marche arrière avec les lames de coupe engagées.
5. Regardez toujours derrière vous et vers le sol avant de reculer et lorsque vous reculez pour vous assurer qu'il n'y a pas d'enfants à proximité. Après avoir repris la marche avant, appuyez sur le bouton de mode de tonte en marche arrière pour reprendre le mode de tonte normale.

Le mode de tonte en marche arrière demeure activé jusqu'à ce que :

- Le bouton de mode de tonte en marche arrière est pressé de nouveau.
- La clé de contact est pressée ou retirée.
- L'utilisateur se lève.

EMBRAYAGE DE LA PRISE

Force électrique

Lorsque le bouton est actionné, la puissance du moteur est transférée au plateau de coupe ou à tout autre accessoire (disponible séparément). Pour embrayer la prise de force :

1. Placez le levier d'accélérateur à la position RAPIDE.
2. Tirez le bouton de la prise de force vers l'extérieur à la position embrayée (H dans Figure 24 à la page 89).

NOTE : Assurez-vous que le levier d'accélérateur est toujours à la position RAPIDE lorsque vous utilisez l'appareil. Faites fonctionner l'appareil à plein régime pour éviter de réduire la durée de vie de la batterie et la qualité de la tonte.

3. Pour débrayer la prise de force, appuyez sur le bouton de la prise de force (a) à la position débrayée (OFF).

Force manuelle

Lorsque le levier de la prise de force est engagé, la puissance du moteur est transférée au plateau de coupe. Pour embrayer la prise de force :

1. Placez le levier d'accélérateur à la position RAPIDE.
2. Poussez le levier vers l'avant pour embrayer la prise de force (Figure 28).

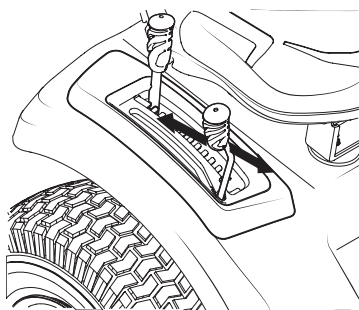


Figure 28

NOTE : Assurez-vous que le levier d'accélérateur est toujours à la position RAPIDE lorsque vous utilisez l'appareil. Faites fonctionner l'appareil à plein régime pour éviter de réduire la durée de vie de la batterie et la qualité de la tonte.

3. Pour débrayer la prise de force, poussez le levier vers l'avant et vers la droite pour l'enlever de la position verrouillée. Puis, relâchez le levier pour qu'elle revienne à la position désengagée.

TONTE DE L'HERBE

AVERTISSEMENT

Pour éviter tout contact avec les lames et toute blessure causée par une projection, ne permettez à personne (en particulier les enfants et les animaux) de s'approcher à moins de 23 mètres (75 pieds). Arrêtez l'appareil si quelqu'un s'approche de la zone de travail.

AVERTISSEMENT

Débarassez la zone de travail de tout débris, bâton, caillou, fil électrique et de tout autre objet qui peut être projeté par les lames rotatives.

NOTE : N'engagez pas le plateau de coupe lorsqu'il est abaissé sur l'herbe qui n'a pas été coupée. La courroie trapézoïdale et l'embrayage de la prise de force risquent de s'user prématurément. Relevez le plateau à la plus haute position de coupe ou déplacez l'appareil sur une surface non gazonnée avant d'engager le plateau de coupe.

- Travaillez dans le sens de la pente. Lorsque vous tondez une pente, commencez au pied de la pente et travaillez en remontant pour effectuer les virages en montée.
- Ne tondez pas à une vitesse élevée, surtout lorsqu'un ensemble de déchiquetage ou un sac à herbe est installé.
- Ne coupez pas l'herbe trop court. L'herbe courte encourage la croissance de mauvaises herbes et risque de jaunir plus rapidement durant les périodes sèches.
- Assurez-vous que le levier d'accélérateur est toujours à la position RAPIDE lorsque vous tondez l'herbe.
- Au premier passage, choisissez un point de repère de l'autre côté de la zone à tondre. Suivez ce repère pour vous déplacer en ligne droite.
- Embrayez la prise de force et placez le levier d'accélérateur à la position RAPIDE.
- Puis, abaissez le plateau de coupe.
- Pour de meilleurs résultats, projetez l'herbe vers le centre de la zone de travail lors des deux premiers passages. Par la suite, changez de direction pour projeter l'herbe vers l'extérieur et avoir une plus belle pelouse.

NOTE : La vitesse de déplacement de l'appareil aura un effet sur la qualité de la tonte. Travailler à pleine vitesse nuira à la qualité de la tonte.

- Ce tracteur est conçu pour une utilisation non-professionnelle. Il peut tondre un gazon de 25 cm (10 po) de haut au maximum. Il n'est pas fait pour tondre les hautes herbes (par ex. dans un pré) ou pour déchiqeter des tas de feuilles mortes. Des débris végétaux secs peuvent s'accumuler sous le plateau de coupe et provoquer un incendie s'ils atteignent le tuyau d'échappement.
- NE tondez PAS les broussailles, les mauvaises herbes ou l'herbe très haute. Cet appareil est conçu pour l'entretien résidentiel de pelouses, et non pour couper les broussailles.

- Assurez-vous que les lames sont bien aiguisées. Remplacez les lames usées ou endommagées.
- Lorsque vous êtes au bout d'un passage, ralentissez ou arrêtez complètement l'appareil avant d'effectuer le virage. Il est conseillé de faire un demi-tour.
- Alignez l'appareil sur le passage précédent et chevauchez ce passage sur environ 7,6 cm (3 po).
- Continuez à travailler en alignant l'appareil sur chaque passage précédent.
- Pour éviter la formation de sillons, changez la direction de tonte de 45° à chaque tonte ultérieure.

Si, pour une raison quelconque, vous devez immobiliser l'appareil sur une surface gazonnée, procédez toujours comme suit :

- Engagez le frein de stationnement.
- Arrêtez le moteur et retirez la clé de contact.
- Vous minimiserez ainsi le risque de brûler la pelouse avec les gaz d'échappement du moteur en marche.

UTILISATION DE LA PÉDALE DE VERROUILLAGE DU DIFFÉRENTIEL (LE CAS ÉCHÉANT)

AVERTISSEMENT

- Lorsque le différentiel est verrouillé, prévoyez plus d'espace et plus d'efforts pour effectuer les virages.
- Utilisez la pédale de verrouillage du différentiel lorsque l'appareil est immobile. N'engagez pas la pédale de verrouillage du différentiel lorsque vous descendez une pente.
- Vous devez suivre toutes les consignes de sécurité de ce manuel, que le différentiel soit verrouillé ou non.

NOTE : Le système de verrouillage du différentiel est conçu pour être utilisé dans des conditions de faible traction. Assurez-vous que le système de verrouillage du différentiel n'est pas activé lorsque le tracteur roule sur des surfaces solides.

Dans certains cas, il peut être nécessaire d'activer le système de verrouillage du différentiel si le tracteur roule sur des surfaces glissantes ou sur des surfaces à faible traction. Procédez comme suit pour activer le système de verrouillage du différentiel.

1. Immobilisez le tracteur.
2. Appuyez sur la pédale pour activer le système de verrouillage du différentiel.

NOTE : La pédale doit rester enfoncée pour garder le verrouillage du différentiel activé.

NOTE : L'activation du système de verrouillage du différentiel peut être retardée. Le système de verrouillage du différentiel est activé lorsque les roues tournent à différentes vitesses.

NOTE : La désactivation du système de verrouillage du différentiel peut être retardée. Le système de verrouillage du différentiel est désactivé lorsque les roues arrière reviennent à la même vitesse.

3. Pour désactiver le système de verrouillage du différentiel, relâchez la pédale.

ENTRETIEN DES PRODUITS

CALENDRIER D'ENTRETIEN

AVERTISSEMENT

Avant d'effectuer tout travail d'entretien, désengagez les commandes, arrêtez le moteur et attendez l'arrêt complet des pièces en mouvement. Débranchez les fils de bougie et le câble négatif de la batterie pour empêcher un démarrage accidentel. Portez des lunettes de protection lorsque vous utilisez l'appareil ou vous effectuez un réglage ou une réparation.

Respectez le calendrier ci-dessous. Ce tableau décrit seulement des directives générales d'entretien.

Consultez la notice d'utilisation du moteur pour toutes les instructions sur l'entretien des éléments du moteur ci-dessous.

	Avant chaque utilisation	Après les 5 premières heures	Toutes les 10 heures	Toutes les 25 heures	Toutes les 50 heures	Toutes les 100 heures	Toutes les 200 heures	Avant le remisage	Voir la notice du moteur
Vérifier/nettoyer la grille d'entrée d'air du moteur et les ailettes de refroidissement #	✓							✓	
Vérifier/nettoyer le collecteur d'échappement, le tuyau d'échappement et les pare-chaleurs du silencieux #	✓							✓	
Vérifier/nettoyer en haut et en bas du plateau de coupe, le dessous des couvercles de fusée et autour des courroies #	✓							✓	
Vérifier/nettoyer autour des fusibles, du câblage électrique et des faisceaux #	✓							✓	
Vérifier/nettoyer les essieux ainsi que la zone autour de la transmission et du ventilateur #	✓							✓	
Vérifier si les composants du filtre à air sont souillés, desserrés ou endommagés	✓								
Vérifier le niveau d'huile à moteur	✓								
Nettoyer les bornes de la batterie			✓					✓	
Graisser tous les points de lubrification			✓					✓	
Vérifier/nettoyer la grille d'entrée d'air du moteur			✓					✓	
Vérifier les lames, les aiguiser ou les remplacer au besoin			✓					✓	
Vérifier la pression des pneus			✓					✓	
Vérifier/nettoyer le dessous du plateau de coupe	✓		✓						
Vérifier le système de verrouillage de sécurité			✓					✓	
Vérifier le temps d'arrêt des lames			✓					✓	
Inspecter et lubrifier les roues du plateau de coupe				✓				✓	

ENTRETIEN DES PRODUITS

	Avant chaque utilisation	Après les 5 premières heures	Toutes les 10 heures	Toutes les 25 heures	Toutes les 50 heures	Toutes les 100 heures	Toutes les 200 heures	Avant le remisage	Voir la notice du moteur
Vérifier si le plateau de coupe est de niveau				✓				✓	
Vérifier si les courroies et les poulies sont endommagées ou usées					✓				
Vérifier si la quinquillerie est bien fixée						✓			
Vérifier le couple de serrage du boulon de montage du moteur (Serrer à un couple de 325-450 po-lb (37-50 N-m))		✓			✓			✓	✓
Vérifier le couple de serrage du boulon de la lame (Serrer à un couple de 70-90 pi-lb (95-122 N-m))		✓			✓			✓	
Vérifier l'état et l'écartement de la bougie d'allumage						✓		✓	✓
Changer l'huile à moteur (après la période de rodage)		✓							✓
Changer l'huile à moteur					✓			✓	✓
Vérifier le système d'alimentation (conduits, réservoir, bouchon et raccords)		✓			✓			✓	✓
Vérifier le pare-étincelles		✓			✓			✓	✓
Remplacer le filtre à huile					✓			✓	✓
Nettoyer ou remplacer le filtre à air					✓				✓
Remplacer le filtre à carburant					✓				✓
Vérifier et ajuster les soupapes*									✓

* -- Cet entretien doit être effectué par un centre de service agréé.

-- Vérifiez et nettoyez plus fréquemment en cas d'utilisation dans des environnements poussiéreux et après le déchetage.

NOTE : Ce manuel est commun à plusieurs modèles. Les caractéristiques peuvent varier selon le modèle. Certaines caractéristiques décrites dans ce manuel peuvent ne pas s'appliquer à tous les modèles. Votre appareil peut différer du modèle illustré.

ENTRETIEN DE LA TONDEUSE APRÈS SON UTILISATION

Après chaque utilisation, effectuez les étapes ci-dessous pour garder votre appareil en bon état de fonctionnement et prolonger sa durée de vie.

AVERTISSEMENT

Le non-respect de ces instructions peut entraîner de graves blessures et endommager l'appareil.

NETTOYAGE DU DESSOUS DU PLATEAU DE COUPE

Système de nettoyage du plateau de coupe (le cas échéant)

Le plateau de coupe peut être équipé d'un gicleur qui s'adapte au système de nettoyage du plateau de coupe.

Utilisez le système de nettoyage du plateau de coupe pour rincer les débris d'herbe coupée sous le plateau de coupe et empêcher l'accumulation de produits chimiques corrosifs. Effectuez les étapes suivantes APRÈS CHAQUE UTILISATION :

1. Attachez l'adaptateur à un boyau d'arrosage standard raccordé à une source d'eau.
2. Déplacez l'appareil vers un endroit qui est près d'un tuyau d'arrosage et où le nettoyage du plateau ne pose pas de problèmes. Débrayez la prise de force, engagez le frein de stationnement et arrêtez le moteur.

- Tirez sur le collier d'arrêt (a) de l'adaptateur (b) pour retirer l'adaptateur (b) de l'embout du système de nettoyage du plateau de coupe (c). Relâchez le collier d'arrêt pour fixer l'adaptateur sur l'embout du système de nettoyage (Figure 29).

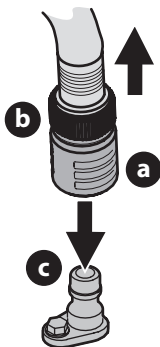


Figure 29

- Ouvrez le robinet d'eau.
- À partir du poste de conduite, démarrez le moteur et embraquez la prise de force. Laissez l'appareil fonctionner aussi longtemps que nécessaire. Débrayez la prise de force et arrêtez le moteur.
- Fermez le robinet d'eau.
- Tirez sur le collier d'arrêt de l'adaptateur pour retirer l'adaptateur de l'embout du système de nettoyage du plateau de coupe.

NETTOYAGE DE L'APPAREIL

⚠ AVERTISSEMENT

Lorsque l'appareil vient d'être utilisé, les surfaces en métal, le moteur et le silencieux sont brûlants. Attendez au moins cinq minutes avant de procéder, sinon vous risquez de vous brûler. Soyez très prudent pour éviter les brûlures.

L'appareil doit être nettoyé après chaque utilisation et un nettoyage supplémentaire peut être nécessaire dans certaines conditions, lors de sécheresse ou après le déchiquetage.

Enlevez régulièrement les accumulations de débris sous l'appareil pour maintenir son bon fonctionnement et pour réduire les risques d'incendie. Suivez les instructions ci-dessous et communiquez avec votre concessionnaire agréé si vous avez des questions.

- Laissez refroidir l'appareil pendant au moins cinq minutes dans une aire ouverte avant de le nettoyer.

NOTE : Il n'est pas conseillé d'utiliser une laveuse à pression ou un boyau de jardinage pour nettoyer l'appareil, sauf le dessous. Les composants électriques, les fusées, les poulies, les roulements ou le moteur peuvent être endommagés. Le nettoyage à l'eau réduit la durée de vie et la performance de l'appareil.

- Nettoyez les pièces sous le capot: le collecteur d'échappement et les fusibles, le câblage électrique et les faisceaux, le tuyau du silencieux, le pare-chaleur du silencieux, les grilles d'entrée d'air du moteur et les ailettes de refroidissement, entre autres (Figure 30).

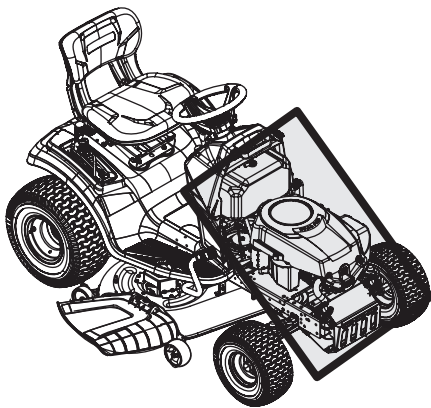


Figure 30

- Nettoyez la partie supérieure du plateau de coupe, la partie sous le couvercle des fusées et la partie autour des courroies (Figure 31).

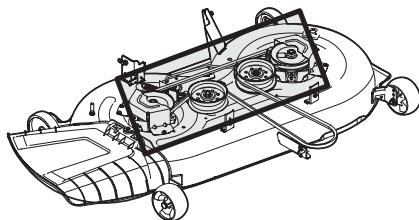
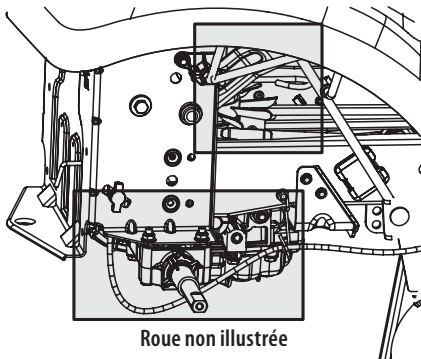


Figure 31

- Gardez l'essieu ainsi que la partie autour de la transmission et du ventilateur propres (Figure 32).



Roue non illustrée

Figure 32

- Les débris peuvent s'accumuler n'importe où sur le tracteur, surtout sur les surfaces horizontales. Un nettoyage supplémentaire peut être nécessaire après le déchetage ou dans des conditions de sécheresse.
- Les débris peuvent s'accumuler en cas de fuites de carburant, d'huile ou d'excédent de lubrifiant. Faites immédiatement les réparations et nettoyez l'huile et le carburant répandus pour réduire les risques d'incendie.
- Nettoyez l'appareil après chaque utilisation et avant le remisage. De plus, ne coupez pas l'herbe très haute de 25 cm ou plus (10 po ou plus), l'herbe sèche (par exemple, le pâturage), ou les tas de feuilles sèches. Des débris végétaux secs peuvent s'accumuler sous le plateau de coupe et provoquer un incendie s'ils atteignent le tuyau d'échappement.

REMISAGE DU TRACTEUR

- Laissez le tracteur refroidir pendant au moins cinq minutes avant de le ranger.
- Ne remisez pas l'appareil près de matières inflammables (bois, vêtements ou produits chimiques), de flammes nues ou des sources d'inflammation (chaudière, chauffe-eau ou élément chauffant).
- Retirez les matières combustibles de l'appareil avant de l'entreposer. Videz les bacs récupérateurs ou les contenants.
- Si l'appareil est doté d'une soupape d'arrêt, fermez-la toujours avant de transporter ou d'entreposer l'appareil.
- Vérifiez régulièrement le système d'alimentation (les conduits, le réservoir, le bouchon et les raccords) pour déceler les fissures et les fuites. Effectuez les réparations nécessaires et nettoyez au besoin.

NOTE : Si le tracteur est temporairement laissé à l'extérieur, basculez le siège vers l'avant et couvrez-le d'un sac en plastique pour éviter les dommages causés par la pluie.

ENTRETIEN

Moteur

⚠ AVERTISSEMENT

Laissez refroidir l'appareil dans une aire ouverte avant de le ranger ou de faire le plein.

Consultez la notice d'utilisation du moteur pour les questions et les procédures d'entretien du moteur.

NOTE : L'entretien, la réparation et le remplacement des dispositifs et des systèmes anti-pollution qui ne sont pas couverts par la garantie (aux frais du propriétaire) peuvent être effectués par n'importe qui. Les réparations dans le cadre de la garantie doivent être effectuées dans un centre de service agréé.

Changement de l'huile à moteur

⚠ AVERTISSEMENT

Lorsque l'appareil vient d'être utilisé, les surfaces en métal, le moteur et le silencieux sont brûlants. Attendez au moins cinq minutes avant de procéder, sinon vous risquez de vous brûler. Soyez très prudent pour éviter les brûlures.

NOTE : Le filtre à huile doit être remplacé à chaque changement d'huile.

Procédez comme suit pour effectuer un changement d'huile :

1. Laissez le moteur en marche pendant quelques minutes pour que l'huile du moteur se réchauffe. L'huile chaude s'écoule plus facilement et évacue plus d'impuretés. Soyez prudent pour ne pas vous brûler avec l'huile chaude.
2. Soulevez le capot du tracteur et repérez la soupape de vidange d'huile située sur le côté du moteur.
3. Placez un récipient adéquat d'une capacité d'une capacité minimum de 2,36 l (2,5 quarts) sous l'extrémité du boyau de vidange d'huile pour recueillir l'huile usée. Enlevez le bouchon de remplissage et la jauge d'huile du tube de remplissage d'huile.
4. Retirez le capuchon protecteur de la soupape de vidange (Figure 33).

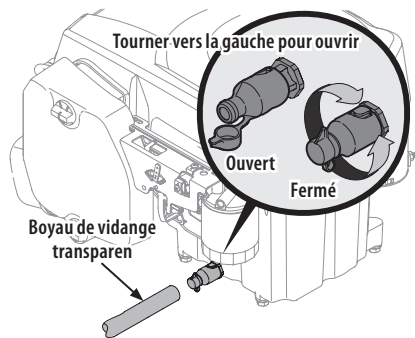


Figure 33

5. Installez le boyau de vidange d'huile (emballé avec ce manuel) sur la soupape de vidange. Placez l'extrémité libre du boyau de vidange d'huile dans un récipient adéquat d'une capacité minimum de 2,36 l (2,5 quarts) pour recueillir l'huile usée.
6. L'orifice d'évacuation du moteur est doté d'une soupape de vidange qu'il faut tourner et tirer pour vidanger. Tournez la soupape de vidange d'huile d'un quart de tour vers la gauche, puis tirez-la vers l'extérieur pour vidanger l'huile. Après avoir vidangé l'huile, poussez la soupape de vidange vers l'intérieur et tournez-la d'un quart de tour vers la droite pour la fixer. Remplacez le capuchon protecteur pour empêcher les débris de pénétrer dans la soupape de vidange.

7. Remplacez le filtre à huile et remplissez le moteur avec de l'huile neuve selon les instructions de la notice d'utilisation du moteur.

NOTE : Placez un chiffon absorbant sous le filtre à huile pour éviter de salir la poulie du moteur.

NOTE : Respectez la législation sur l'élimination des déchets liquides (essence, huile, etc.) afin de préserver l'environnement.

NOTE : L'entretien, la réparation et le remplacement des dispositifs et des systèmes anti-pollution qui ne sont pas couverts par la garantie (aux frais du propriétaire) peuvent être effectués par n'importe quel centre de service ou par tout individu. Les réparations dans le cadre de la garantie doivent être effectuées dans un centre de service agréé.

LUBRIFICATION

⚠ AVERTISSEMENT

Avant de lubrifier, de réparer ou d'inspecter l'appareil, débrayez toujours la prise de force, engagez le frein de stationnement, arrêtez le moteur et retirez la clé de contact afin d'empêcher un démarrage accidentel.

Lubrifiez tous les points de pivotement avec une huile de graissage de qualité. Consultez le Calendrier d'entretien de ce manuel pour des renseignements sur l'entretien de l'appareil.

Lubrification des roues avant

Les essieux des roues avant sont dotés d'un raccord de graissage (Figure 34). Les jantes des roues de certains modèles sont équipées de raccords de graissage (sauf celles des pneus Turf Master et Multi-Trac) (Figure 35). Utilisez un pistolet de graissage et de la graisse tout usage no 2 pour lubrifier chaque raccord selon le calendrier d'entretien.

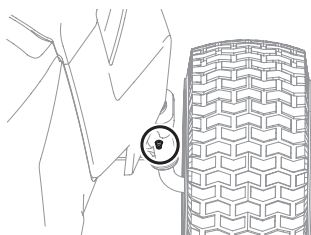


Figure 34

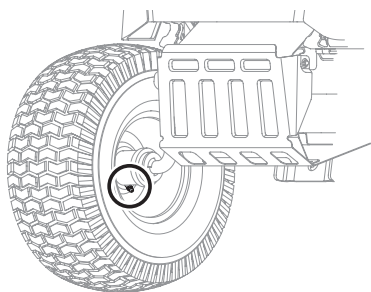


Figure 35

Lubrification des points de pivotement et la tringlerie

Lubrifiez tous les points de pivotement du système d'entraînement, du frein de stationnement et de la tringlerie de relevage avec de l'huile légère selon le calendrier d'entretien.

NOTE : Il n'est pas nécessaire de graisser le pignon de direction ni le secteur denté, sinon cela causera une accumulation de saleté, ce qui peut nuire au système de direction.

TRANSMISSION HYDROSTATIQUE

La transmission hydrostatique est scellée en usine et ne nécessite aucun entretien. Il n'est pas possible de vérifier le niveau de fluide ou de changer le fluide dans la transmission.

ENTRETIEN DU PARE-ÉTINCELLES (LE CAS ÉCHÉANT)

Le pare-étincelles doit être retiré, inspecté et nettoyé régulièrement. Consultez le calendrier d'entretien à cet effet. Inspectez visuellement la grille pour vous assurer qu'il n'y a pas de déchirures, de fils sectionnés ou des ruptures de soudure. Si tel est le cas, remplacez le pare-étincelles. Si la grille est en bon état, brossez-le pour enlever la poussière et les particules de carbone.

PNEUS

Gardez les pneus gonflés aux pressions recommandées. Une pression inadéquate réduit la durée de vie des pneus. La pression recommandée est indiquée sur le flanc du pneu. Consultez le Calendrier d'entretien de ce manuel pour des renseignements sur leur entretien.

Suivez les conseils ci-dessous :

- Ne gonflez pas un pneu à une pression supérieure à celle indiquée sur le flanc du pneu.
- Ne regonflez pas un pneu qui a roulé à plat ou un pneu très sous gonflé. Faites examiner le pneu par un mécanicien qualifié.

ENTREPOSAGE POUR L'HIVER

Si vous n'utilisez pas le tracteur pendant une longue période (de trente jours à environ six mois), préparez-le pour l'entreposage. Entrez l'appareil dans un endroit sec et bien protégé. Si vous le remisez à l'extérieur, couvrez l'appareil (y compris les pneus) pour le protéger des intempéries. Procédez comme suit pour l'entreposer :

1. Changez l'huile à moteur et remplacez le filtre en suivant les instructions fournies dans la notice d'utilisation du moteur.

⚠ AVERTISSEMENT

Ne remisez jamais l'appareil avec de l'essence dans un endroit mal aéré ou à l'intérieur car les vapeurs d'essence pourraient entrer en contact avec une flamme nue, une étincelle ou une veilleuse d'allumage comme celle d'une chaudière, d'un chauffe-eau, d'une sécheuse, etc.

2. Si l'appareil est remis pendant 30 jours ou plus :
 - a. Pour éviter le mauvais fonctionnement du moteur et la formation de dépôts de gomme dans le carburateur, vidangez complètement le système d'alimentation ou ajoutez un stabilisateur au carburant.
 - b. Utilisez un stabilisateur de carburant lorsque l'appareil est remis pour une période de 30 à 90 jours :
 - Lisez les instructions et les recommandations du fabricant du produit.
 - Ajoutez la quantité adéquate de stabilisateur à l'essence propre et fraîche en fonction de la capacité (approximativement 2,5 (9,46 litres) (moteurs à injection électronique uniquement) ou 3 gallons) (11,35 litres) du système d'alimentation.
 - Remplissez le réservoir de carburant avec le carburant traité et faites fonctionner le moteur pendant deux à trois minutes pour que le carburant se répande dans le carburateur.
 - Pendant le remisage, le carburant dans le réservoir risque de se détériorer et de causer de graves problèmes de démarrage.
 - c. Vidangez le système d'alimentation si l'appareil est remis pour plus de 90 jours :
 - Avant de remettre l'appareil, assurez-vous de vider le réservoir de carburant.
 - Faites fonctionner le moteur jusqu'à ce qu'il cale. Utilisez l'étrangleur pour faire fonctionner le moteur jusqu'à ce que le réservoir de carburant soit vide.
 - Consultez la notice d'utilisation du moteur pour les instructions sur la vidange de carburant.
3. Nettoyez bien le moteur et l'appareil.

NOTE : Il n'est pas conseillé d'utiliser une laveuse à pression ou un boya de jardinage pour nettoyer l'appareil, sauf le dessous. Les composants électriques, les fusées, les poulies, les roulements ou le moteur peuvent être endommagés. Le nettoyage à l'eau réduit la durée de vie et la performance de l'appareil.

4. Nettoyez et rechargez la batterie. Débranchez le câble négatif de la batterie pour empêcher sa décharge. Rechargez la batterie régulièrement pendant l'entreposage.

NOTE : Retirez la batterie de l'appareil si elle est exposée à des températures inférieures à zéro pendant de longues périodes. Rangez la batterie dans un endroit frais et sec où la température ambiante est supérieure à zéro.

5. Lubrifiez tous les points de lubrification.

REMISE EN SERVICE DU TRACTEUR

1. Vérifiez l'huile à moteur.
2. Chargez la batterie. Gonflez les pneus à la pression recommandée. La pression recommandée est indiquée sur le flanc du pneu.
3. Remplissez le réservoir avec de l'essence propre et fraîche.

4. Démarrez le moteur et laissez-le tourner pendant quelques minutes pour vous assurer qu'il fonctionne correctement.
5. Conduisez l'appareil sans aucune charge pour vous assurer que tous les systèmes fonctionnent correctement.

RÉGLAGES

Mise à niveau du plateau de coupe

Si le plateau de coupe tond de manière inégale, effectuez un réglage latéral du plateau de coupe.

⚠ AVERTISSEMENT

Lorsque l'appareil vient d'être utilisé, les surfaces en métal, le moteur et le silencieux sont brûlants. Attendez au moins cinq minutes avant de procéder, sinon vous risquez de vous brûler. Soyez très prudent pour éviter les brûlures.

NOTE : Vérifiez la pression des pneus de l'appareil avant de faire une mise à niveau du plateau de coupe. Consultez la section Pneus pour plus de renseignements sur la pression des pneus.

Mise à niveau latérale du plateau de coupe

1. Stationnez l'appareil sur une surface plane et solide, puis placez le levier de relevage du plateau de coupe dans la position centrale. Faites pivoter les deux lames de façon à ce qu'elles soient perpendiculaires à l'appareil.
2. Mesurez la distance entre l'extrémité extérieure de la lame gauche et le sol ainsi que la distance entre l'extrémité extérieure de la lame droite et le sol. Les deux mesures doivent être égales. Si elles ne le sont pas, passez à l'étape suivante.
3. Une tige de réglage se trouve sous chaque aile arrière, près des roues (Figure 36).

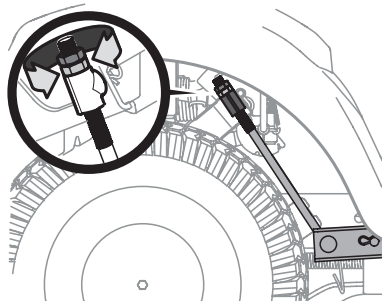


Figure 36

4. Utilisez cette tige pour effectuer des réglages mineurs.
5. Pour relever le côté gauche du plateau de coupe, desserrez l'écrou supérieur au bout de la tige avant de le tourner vers la droite. Après avoir effectué le réglage approprié, serrez l'écrou pour retenir la tige. Pour abaisser le côté gauche du plateau, desserrez l'écrou supérieur au bout de la tige avant de le tourner vers la gauche. Après avoir effectué le réglage approprié, serrez l'écrou à un couple de 25-30 pi-lb (34-41 N-m).

6. Le plateau de coupe est bien équilibré lorsque les deux mesures effectuées à l'étape précédente sont égales.

Mise à niveau de l'avant à l'arrière

L'avant du plateau de coupe est soutenu par un support avant qui peut être ajusté pour régler le plateau de coupe. L'avant du plateau de coupe doit être de 6,35 mm-9,5 mm (1/4 po à 3/8 po) plus bas que l'arrière. Si nécessaire, effectuez le réglage comme suit :

1. Stationnez l'appareil sur une surface plane et solide, puis placez le levier de relevage du plateau de coupe dans la position centrale. Faites pivoter les deux lames de façon à ce qu'elles soient perpendiculaires à l'appareil.
2. Mesurez la distance entre l'extrémité avant de la lame et le sol ainsi que la distance entre l'extrémité arrière de la lame et le sol. L'avant du plateau de coupe doit être de 6,35 mm-9,5 mm (1/4 po à 3/8 po) plus bas que l'arrière.
3. Déterminez la distance approximative nécessaire pour assurer le réglage approprié du plateau de coupe, puis passez à l'étape suivante, si nécessaire.
4. Pour **relever** l'avant du plateau de coupe, desserrez l'écrou supérieur, puis resserrez l'écrou inférieur (tournez vers la droite) (Figure 37). Une fois le réglage approprié effectué, serrez l'écrou supérieur à un couple de 25-30 pi-lb (34-41 N-m).

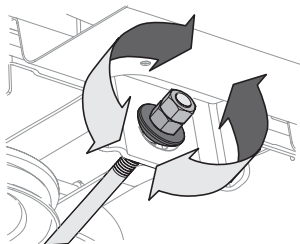


Figure 37

5. Pour **abaisser** l'avant du plateau de coupe, desserrez l'écrou supérieur, puis l'écrou inférieur (tournez vers la gauche) (Figure 37). Une fois le réglage approprié effectué, serrez l'écrou supérieur.

Réglage des roues du plateau de coupe

⚠ AVERTISSEMENT

Gardez vos mains et vos pieds loin de l'ouverture d'éjection du plateau de coupe.

NOTE : Les roues du plateau de coupe préviennent le dégonnement de la pelouse et ne sont pas conçues pour soutenir le plateau de coupe.

Lorsque vous ajustez la hauteur du plateau de coupe, réglez également les roues du plateau de coupe pour qu'elles soient de 6,35 mm à 12,77 mm (1/4 po à 1/2 po) du sol. Consultez la section Préparation pour plus de détails sur le réglage des roues du plateau de coupe.

ENTRETIEN

Système électrique

Un fusible est installé dans le câblage électrique pour protéger le système électrique de l'appareil contre tout dommage causé par une intensité trop élevée. Remplacez toujours un fusible par un autre fusible de même intensité. Si le système électrique ne fonctionne pas, vérifiez si le fusible a sauté.

En cas de problème récurrent de fusible sauté, faites examiner le système électrique dans un centre de service agréé.

Relais et interrupteurs

Des interrupteurs de sécurité sont installés dans le système électrique. Si le système de verrouillage de sécurité ne fonctionne pas, faites examiner le système électrique dans un centre de service agréé.

Réglage du frein de stationnement

Si l'appareil ne s'immobilise pas complètement lorsque la pédale de frein est enfoncée, ou si les roues arrière tournent alors que le frein de stationnement est engagé (et la soupape de dérivation hydrostatique est ouverte), il est nécessaire de régler le frein. Contactez un centre de service agréé pour faire ajuster le frein.

Réglage du neutre de la transmission hydrostatique

Si le tracteur avance ou recule sans que la pédale de marche avant ou de marche arrière soit appuyée, consultez un concessionnaire autorisé pour faire régler le neutre.

Géométrie des roues

Si le tracteur dévie ou n'est pas aligné, il faut régler la géométrie des roues. Communiquez avec un concessionnaire agréé pour faire effectuer ce réglage.

DÉMONTAGE DU PATEAU DE COUPE

⚠ AVERTISSEMENT

Faites attention de ne pas pincer vos doigts lorsque vous retirez la courroie de la poulie.

Procédez comme suit pour démonter le plateau de coupe :

1. Stationnez l'appareil sur une surface plate, débrayez la prise de force, arrêtez le moteur et serrez le frein de stationnement.
2. Placez le levier de relevage du plateau de coupe dans l'encoche inférieure sur l'aile droite de l'appareil pour abaisser le plateau.
3. Pour les modèles dotés d'une prise de force manuelle, passez à l'étape 4. Pour ceux dotés d'une prise de force électrique, passez à l'étape 8.
4. Desserrez l'écrou autobloquant de la poulie de tension droite et le boulon de la poulie de tension gauche, mais ne les retirez pas.

ENTRETIEN DES PRODUITS

5. Retirez le boulon fixant la tige de retenue de la poulie du moteur au châssis (Figure 38).

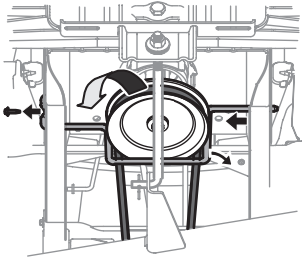


Figure 38

6. Déplacez la tige vers la droite pour la retirer.

NOTE : Assurez-vous de ne pas endommager le faisceau de fils lorsque vous retirez la tige.

7. Retirez la goupille qui fixe le câble de la prise de force au support sur le plateau de coupe, faites glisser le câble hors de la prise de force et décrochez le ressort du support de la poulie de tension (Figure 39).

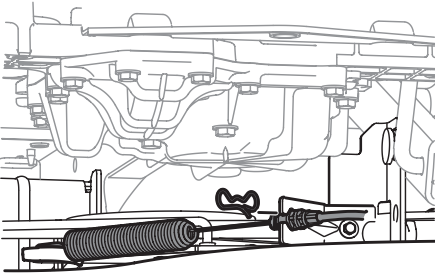


Figure 39

8. À partir du côté droit de l'appareil, insérez une clé à rochet de 3/8 po (réglée pour **serrer**) dans le trou carré sur le support de la poulie de tension (Figure 40).
9. Déplacez la clé vers l'avant pour bouger la poulie d'entraînement du plateau (Figure 40).

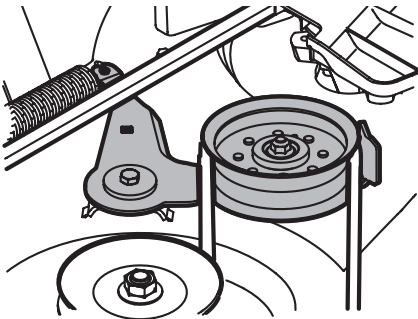


Figure 40

10. Retirez avec précaution la courroie de la poulie de la prise de force.
11. Placez-vous sur le côté gauche du plateau de coupe pour trouver la goupille située à l'arrière gauche (Figure 41).
12. Retirez la goupille et faites sortir la goupille du bras de relevage (Figure 41).

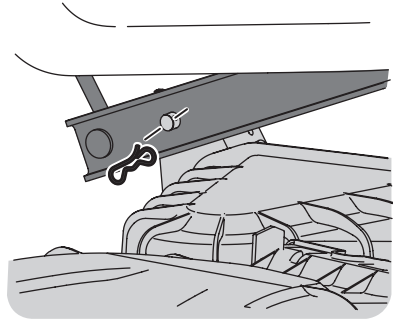


Figure 41

13. Répétez les étapes 11 et 12 sur le côté droit.
14. Retirez la goupille fendue qui fixe la tige de relevage avant au plateau (Figure 42). Faites sortir la tige de relevage du support avant.

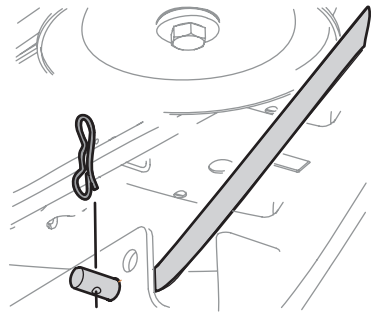


Figure 42

15. Placez le levier de relevage dans l'encoche supérieure pour relever et retenir les bras de relevage.
16. Faites glisser le plateau de coupe du dessous du tracteur.

RETRAIT DES LAMES

⚠ AVERTISSEMENT

Arrêtez le moteur et retirez la clé de contact avant de démonter les lames de coupe pour les aiguiser ou les remplacer. Avant de manipuler une lame, portez des gants épais pour protéger vos mains.

Examinez régulièrement les lames et les fusées pour vous assurer qu'elles ne sont pas fendues ou endommagées, surtout si l'appareil a heurté un objet. N'utilisez pas l'appareil si les pièces endommagées ne sont pas remplacées.

Si le bord tranchant a déjà été aiguisé ou si une séparation des couches métalliques s'est produite, remplacez la lame.

Lames FastAttach^{MC} (le cas échéant)

1. Réglez le plateau de coupe sur la plus haute position.
2. Passez votre doigt avec précaution pour repérer les rainures de la bague de verrouillage de chaque côté de la lame.
3. Poussez la bague de verrouillage vers le haut et retenez-la (Figure 43).

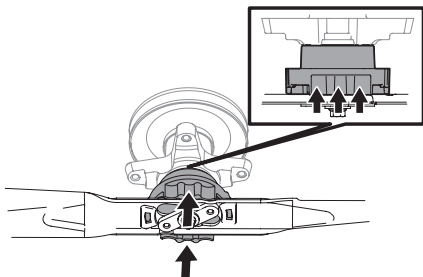


Figure 43

4. Placez la bague de verrouillage vers le haut et tournez la lame vers la gauche pour la dégager de la bague (Figure 44).

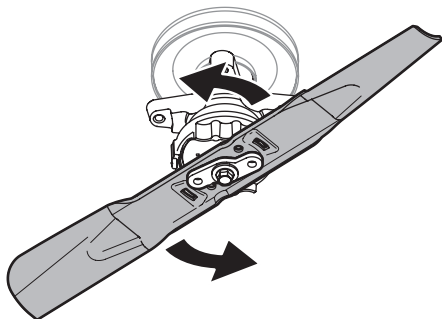


Figure 44

5. Lorsque le trou au centre de la lame s'aligne avec le support de retenue, tirez sur la lame (Figure 45).

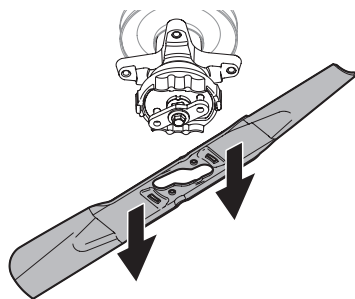


Figure 45

Lame standard (le cas échéant)

1. Enlevez le plateau de coupe de l'appareil (voir Démontage du plateau de coupe), puis retournez-le afin de pouvoir travailler sur le dessous.
2. Placez un morceau de bois entre le boîtier du plateau de coupe et la lame de coupe pour empêcher tout mouvement (Figure 46).

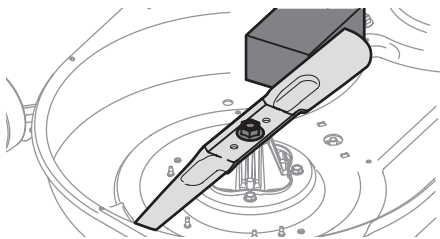


Figure 46

3. Retirez l'écrou à bride qui fixe la lame à la fusée assemblée.

Lame standard avec lames S (le cas échéant)

1. Enlevez le plateau de coupe de l'appareil (voir Démontage du plateau de coupe), puis retournez-le afin de pouvoir travailler sur le dessous.
2. Utilisez une clé de 15/16 po pour maintenir l'écrou hexagonal au sommet de l'ensemble de la fusée en desserrant l'écrou hexagonal (a) et la rondelle (d)* retenant la lame (b). Vous pouvez placer une cale en bois (c) entre le carter du plateau de coupe et le tranchant de la lame (b) pour aider à débloquer l'écrou hexagonal (a) et la rondelle (d)* retenant la lame (Figure 47).

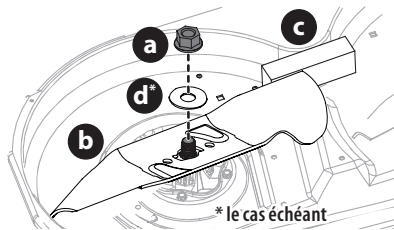


Figure 47

INSTALLATION DE LA LAME

Lames FastAttach^{MC} (le cas échéant)

1. Réglez le plateau de coupe sur la plus haute position.
2. Placez le côté de la lame sur lequel est inscrit « Grass Side » (côté gazon) vers le bas.
3. Placez la lame sous la fusée et alignez l'ouverture au centre de la lame dans le support de retenue (Figure 48).

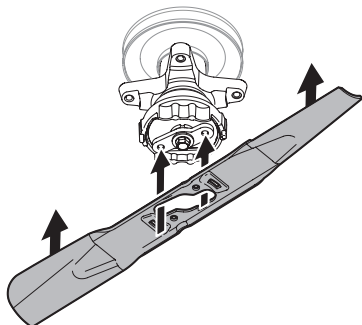


Figure 48

4. Poussez la lame vers le haut contre l'adaptateur jusqu'à ce que la bague de verrouillage soit relevée (Figure 43 à la page 106).
5. Tournez la lame vers la droite pour l'aligner avec l'adaptateur (Figure 49).

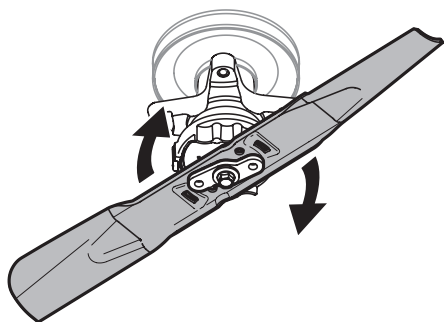


Figure 49

NOTE : Si vous sentez une résistance lorsque la lame tourne, cela veut dire que la fusée tourne et que la lame n'est pas bien installée sur son adaptateur.

6. Vous entendrez un dé clic lorsque la lame s'enclenche bien (Figure 50).

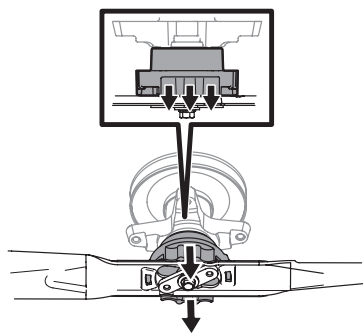


Figure 50

Lame standard (le cas échéant)

1. Après avoir enlevé le plateau de coupe, retournez-le pour avoir accès au dessous.
2. Alignez le trou au centre de la lame avec le support de retenue en forme d'étoile au bas de la fusée et placez la lame.
3. Placez un morceau de bois entre le boîtier du plateau de coupe et la lame de coupe pour empêcher tout mouvement (Figure 46 à la page 106).
4. Vissez l'écrou à bride qui fixe la lame à la fusée assemblée.
5. Utilisez une clé dynamométrique pour serrer l'écrou à bride sur la fusée assemblée à un couple de 70-90 pi-lb (95-122 N-m).
6. Réinstallez le plateau de coupe (voir Remplacement de la courroie du plateau et remise en place du plateau de coupe dans cette section).

NOTE : Lorsque vous remplacez une lame, installez la lame de façon à ce que le côté marqué « BOTTOM » (ou estampé du numéro de pièce) soit face au sol.

Lame standard avec lames S (le cas échéant)

1. Après avoir enlevé le plateau de coupe, retournez-le pour avoir accès au dessous.
2. Lorsque vous réinstallez les lames, assurez-vous de ce qui suit (Figure 47 à la page 106) :
 - a. Que les lames (b) sont installées de façon à ce que les ailettes soient orientées vers le haut, vers le dessus du plateau.
 - b. Que la rondelle (d)* est placée entre le bas de la lame (b) et l'écrou hexagonal (a).

IMPORTANT ! Alignez la découpe en forme de « S » avec la forme correspondante du « S » sur la fusée pour un ajustement sûr.

3. Serrez les écrous hexagonaux (a) à 70-90 pi-lb (95 à 122 N-m).
4. Réinstallez le plateau (consultez le chapitre Remplacement de la courroie du plateau et remise en place du plateau de coupe dans cette section).

AIGUISAGE DES LAMES

1. Pour aiguiser correctement les lames de coupe, aiguisiez les deux tranchants des lames de façon égale, parallèlement à la voile, à un angle de 25° à 30°. Aiguissez toujours chaque lame de coupe de façon égale pour assurer l'équilibre des lames (Figure 51).

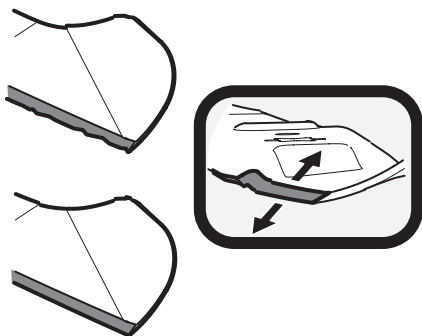


Figure 51

2. Vérifiez l'équilibre de la lame avec un équilibreur de lame. Limez le métal du côté le plus lourd de la lame jusqu'à ce que la lame soit bien équilibrée.

⚠ AVERTISSEMENT

Une lame mal équilibrée peut causer des vibrations excessives et entraîner des dommages matériels ou des blessures corporelles.

REMPLACEMENT DE LA COURROIE DU PLATEAU ET REMISE EN PLACE DU PLATEAU DE COUPE

⚠ ATTENTION

Les courroies trapézoïdales du tracteur sont conçues pour un engagement et un désengagement sans danger. L'emploi d'une courroie de remplacement qui n'est pas une pièce d'origine peut s'avérer dangereux car cette courroie risque de ne pas se désengager complètement. N'utilisez que des courroies approuvées par le fabricant.

Toutes les courroies sur le tracteur sont sujettes à l'usure. Remplacez toute courroie usée. Procédez comme suit pour remplacer une courroie du plateau de coupe :

1. Retirez la courroie comme indiqué dans la section Démontage du plateau de coupe.
2. Desserrez la quincaillerie de la poulie de tension droite et de celle de gauche. Ne la retirez pas.

NOTE : Sur certains modèles de plateau de coupe, il faut peut-être enlever les couvercles de fusée pour pouvoir retirer et installer la courroie neuve. Pour enlever les couvercles de fusée, retirez les boulons qui les retiennent au plateau de coupe.

3. Retirez avec précaution la courroie des poulies de tension et des poulies de fusée.

4. Placez la courroie neuve comme indiqué aux figures suivantes. Voir la Figure 52 pour les modèles dotés d'un plateau de coupe de 42 po, la Figure 53 pour les plateaux de 46 po et la Figure 54 pour ceux de 50 po et de 54 po.

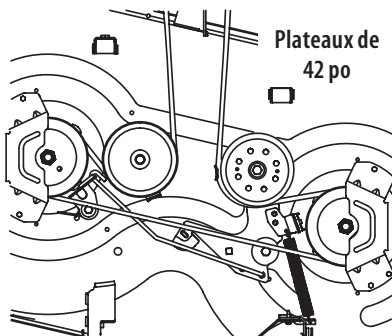


Figure 52

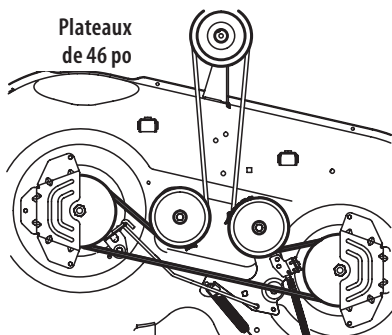


Figure 53

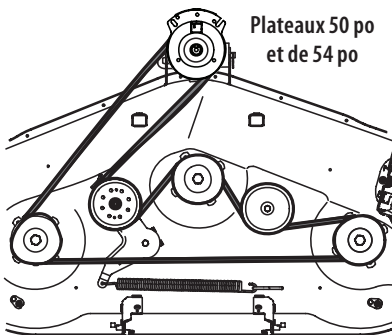


Figure 54

NOTE : Utilisez une clé à rochet de 3/8 po comme indiqué aux étapes précédentes pour installer la courroie neuve.

5. Vérifiez que la courroie est correctement installée sur les poulies de tension et dans les garde-courroies. Si les poulies de tension ont été desserrées, resserrez-les à un couple de 256 à 313 po-lb (29 à 35 N-m).

- Si le couvercle de courroie a été retiré, remplacez-le.
- Installez le plateau de coupe et assurez-vous que la courroie demeure bien placée autour des poulies.
- Pour les modèles dotés d'une prise de force manuelle, remplacez la tige de retenue de la poulie du moteur et le câble de la prise de force.
- Tirez sur le côté droit de la courroie et placez le côté plus étroit en forme de « V » de la courroie dans la poulie de la prise de force (Figure 55).

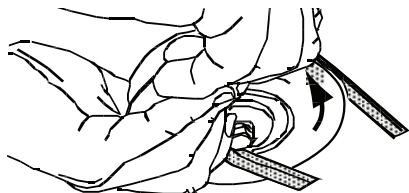


Figure 55

- Tenez la courroie et la poulie, puis faites pivoter la poulie vers la gauche. Continuez à tenir et à faire pivoter la poulie et la courroie jusqu'à ce que la courroie soit complètement enroulée autour de la poulie de la prise de force.

RETRAIT DU PARE-CHOC AVANT (LE CAS ÉCHÉANT)

⚠ AVERTISSEMENT

Débrayez la prise de force, engagez le frein de stationnement et arrêtez le moteur du tracteur avant d'effectuer toute procédure d'entretien. Stationnez l'appareil sur une surface plane avant de commencer les procédures de montage ou de démontage.

Le système d'échappement et les surfaces environnantes sont chauds. Pour éviter tout risque de blessures, laissez l'appareil refroidir avant de commencer toute procédure de montage ou de démontage.

- Retirez les quatre vis hexagonales (a) qui maintiennent le pare-chocs avant en place (Figure 56).
- Le pare-chocs avant (b) peut maintenant être retiré.

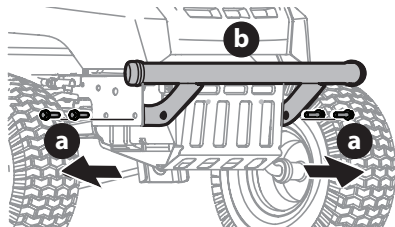


Figure 56

RETRAIT DU GRILLAGE DE PROTECTION (LE CAS ÉCHÉANT)

⚠ AVERTISSEMENT

Débrayez la prise de force, engagez le frein de stationnement et arrêtez le moteur du tracteur avant d'effectuer toute procédure d'entretien. Stationnez l'appareil sur une surface plane avant de commencer les procédures de montage ou de démontage.

Le système d'échappement et les surfaces environnantes sont chauds. Pour éviter tout risque de blessures, laissez l'appareil refroidir avant de commencer toute procédure de montage ou de démontage.

- Retirez les deux goupilles fendues avant d'enlever les axes de chape (Figure 57).

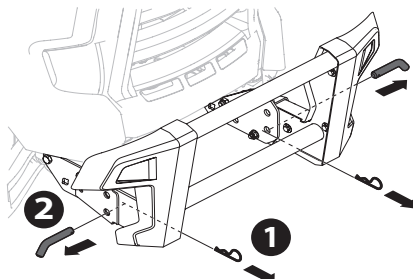


Figure 57

- Retirez le grillage de protection (Figure 58).

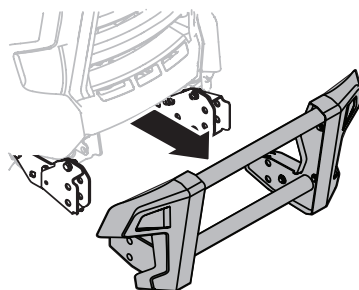


Figure 58

NOTE : Il n'est pas nécessaire d'enlever les attaches FastAttach^{MC} qui peuvent être avec des accessoires FastAttach^{MC}. Contactez votre concessionnaire pour avoir la liste des produits offerts.

REPLACEMENT DE LA COURROIE D'ENTRAÎNEMENT DE LA TRANSMISSION

Certaines pièces doivent être démontées et des outils spéciaux sont nécessaires pour remplacer la courroie d'entraînement de la transmission. Contactez un centre de service agréé pour faire remplacer la courroie d'entraînement.

DÉPANNAGE

AVERTISSEMENT

Avant d'effectuer tout travail d'entretien, désengagez les commandes, arrêtez le moteur et attendez l'arrêt complet des pièces en mouvement. Débranchez les fils de bougie et le câble négatif de la batterie pour empêcher un démarrage accidentel. Portez des lunettes de protection lorsque vous utilisez l'appareil ou vous effectuez un réglage ou une réparation.

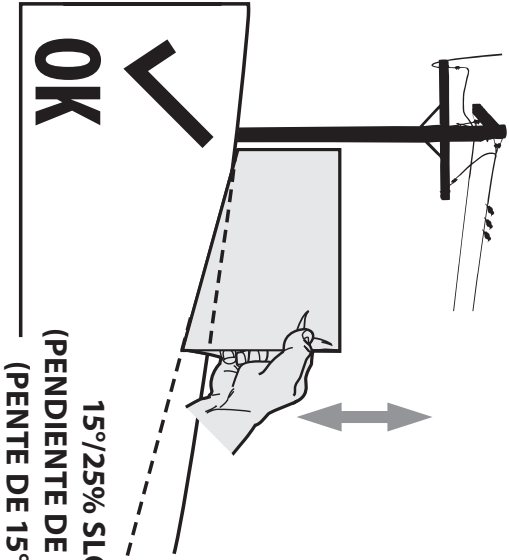
Cette section traite des problèmes mineurs. Consultez le document séparé pour trouver un centre de service dans votre région.

Problème	Raison	Solution
Le moteur ne démarre pas	<ol style="list-style-type: none"> 1. La prise de force est embrayé. 2. Le frein de stationnement n'est pas engagé. 3. Le fil de bougie est débranché. 4. Le levier d'accélérateur n'est pas à la position de démarrage. 5. Le réservoir d'essence est vide ou l'essence est éventée. 6. Le conduit d'essence est bouché. 7. La bougie d'allumage est défectueuse. 8. Le moteur est noyé. 9. Un fusible a sauté. 	<ol style="list-style-type: none"> 1. Poussez le bouton de la prise de force vers l'intérieur. 2. Engagez le frein de stationnement. 3. Branchez le fil à la bougie d'allumage. 4. Placez le levier d'accélération à la position RAPIDE. 5. Remplissez le réservoir avec de l'essence propre et fraîche. 6. Remplacez le conduit d'essence. Consultez un centre de service agréé. Remplacez le filtre à carburant. Consultez la section Entretien des produits. 7. Nettoyez la bougie, remplacez-la ou ajustez son écartement. 8. Faites tourner le moteur à plein régime. 9. Remplacez le fusible.
Le moteur tourne irrégulièrement	<ol style="list-style-type: none"> 1. L'appareil fonctionne alors que le levier d'étrangleur est actionné. 2. Les fils de bougie sont lâches. 3. Le conduit d'essence est bouché ou l'essence est éventée. 4. L'évent du bouchon du réservoir est bouché. 5. Il y a de l'eau ou de la saleté dans le circuit d'alimentation. 6. Le filtre à air est sale. 	<ol style="list-style-type: none"> 1. Vérifiez si l'étrangleur électrique fonctionne. Communiquez avec un centre de service agréé. 2. Branchez les fils de bougie et serrez-les. 3. Remplacez le conduit d'essence. Consultez un centre de service agréé. Remplissez le réservoir avec l'essence propre et fraîche. Consultez la section Entretien des produits. 4. Nettoyez l'évent ou remplacez le bouchon s'il est endommagé. 5. Vidangez le réservoir d'essence. Faites le plein d'essence propre et fraîche. Consultez la section Entretien des produits. 6. Remplacez l'élément en papier du filtre à air ou nettoyez le pré-filtre en mousse.
Le moteur surchauffe	<ol style="list-style-type: none"> 1. Le niveau d'huile à moteur est bas. 2. Le débit d'air est restreint. 	<ol style="list-style-type: none"> 1. Faites le plein avec le type d'huile et la quantité d'huile recommandés. 2. Nettoyez autour des ailettes de refroidissement et autour du boîtier du ventilateur.
Le moteur a des ratés à haute vitesse	<ol style="list-style-type: none"> 1. L'écartement de la bougie est trop petit. 	<ol style="list-style-type: none"> 1. Retirez la bougie d'allumage et ajustez l'écartement.

ENTRETIEN DES PRODUITS

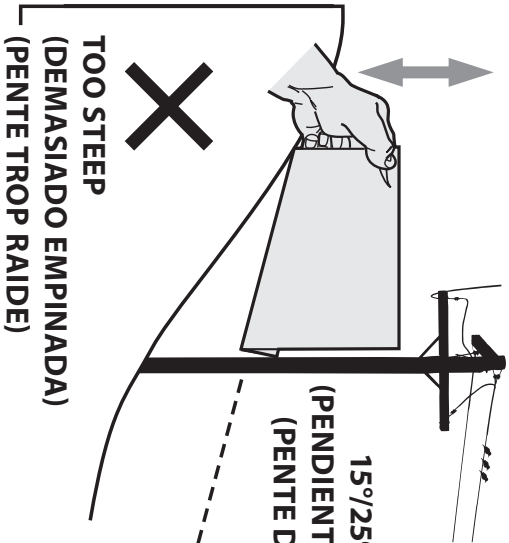
Problème	Raison	Solution
Le moteur tourne irrégulièrement au ralenti	<ol style="list-style-type: none"> 1. La bougie d'allumage est encrassée. 2. Le filtre à air est sale. 	<ol style="list-style-type: none"> 1. Retirez la bougie d'allumage et ajustez l'écartement. 2. Remplacez l'élément du filtre à air ou nettoyez le pré-filtre.
Le moteur produit des vibrations excessives	<ol style="list-style-type: none"> 1. La lame de coupe est desserrée ou mal équilibrée. 2. La lame de coupe est déformée ou endommagée. 	<ol style="list-style-type: none"> 1. Serrez la lame et la fusée. Équilibrez la lame. 2. Remplacez la lame de coupe.
L'appareil ne déchiquette pas l'herbe	<ol style="list-style-type: none"> 1. Le régime du moteur est trop bas. 2. L'herbe est mouillée. 3. L'herbe est trop haute. 4. La lame de coupe est émoussée. 	<ol style="list-style-type: none"> 1. Placez le levier d'accélérateur à la position RAPIDE (lapin). 2. Ne déchiquetez pas l'herbe mouillée. 3. Tondez l'herbe à une hauteur de coupe élevée, puis tondez à la hauteur désirée ou sur une largeur plus étroite. 4. Aiguissez la lame de coupe ou remplacez-la.
La tondeuse coupe de manière irrégulière	<ol style="list-style-type: none"> 1. Le plateau n'est pas mis à niveau. 2. La lame de coupe est émoussée. 3. La pression des pneus est inégale. 	<ol style="list-style-type: none"> 1. Effectuez la mise à niveau latérale du plateau de coupe. 2. Aiguissez la lame de coupe ou remplacez-la. 3. Vérifiez la pression des quatre pneus.

SLOPE GAUGE (INDICADOR DE PENDIENTE) (INCLINOMÈTRE)



OK

15°/25% SLOPE
(PENDIENTE DE 15°/25%)
(PENDE DE 15°/25 %)



X

TOO STEEP
(DEMASIADO EMPINADA)
(PENDE TROP RAIDE)

15°/25% SLOPE
(PENDIENTE DE 15°/25%)
(PENDE DE 15°/25 %)



15°/25% DASHED LINE
(LÍNEA DE GUIONES A 15°/25%)
(PENDE DE 15°/25 %)