

Farm King

OPERATOR AND PARTS MANUAL

Sickle Bar Mower

Model RSB6, RSB7, RSB9



TABLE OF CONTENTS

Manufacturer’s Statement: For technical reasons, Buhler Industries Inc. reserves the right to modify machinery design and specifications provided herein without any preliminary notice. Information provided herein is of descriptive nature. Performance quality may depend on bale structure, applied techniques, weather conditions and other factors.

INTRODUCTION7

SAFETY11

ASSEMBLY21

OPERATION27

MAINTENANCE47

PARTS IDENTIFICATION55

SPECIFICATIONS81

WARRANTY87

ALPHABETICAL INDEX91

Farm King



WARRANTY REGISTRATION FORM

This form must be filled out by the dealer and signed by both the dealer and the customer at the time of delivery.

Customer Name:

Dealer Name:

Customer Address:

Dealer Address:

City:

Prov / State:

City:

Prov / State:

Postal / Zip Code:

Phone:

Postal / Zip Code:

Phone:

Equipment Name Model:

Serial Number:

Delivery Date:

I have thoroughly instructed the buyer on the above described equipment which review included the Operator's Manual content, equipment care, adjustments, safe operation and applicable warranty policy.

Dealer Inspection Report

- Bearing Seals
- Lubricate Machine
- Wheel Bolt Torque
- Fasteners Tight
- Tire Pressure
- Hydraulic Hoses

Safety

- All Lights And Reflectors Installed
- All Lights And Reflectors Cleaned And Working
- Safety Chain On Hitch
- All Decals Installed
- Guards And Shields Installed And Secure
- Review Operating And Safety Instructions
- General Adjustment And Set-up Procedures
- Transportation Requirements And Regulations

Date:

Dealer Rep. Signature:

The above equipment and Operator And Parts Manual have been received by me and I have been thoroughly instructed as to care, adjustments, safe operation and applicable warranty policy.

Date:

Customer / Owner's Signature:

Remove this Warranty Registration Form from the Operator And Parts Manual. Make two copies of the form. Send original Warranty Registration Form to Farm King. Give one copy to the customer and the dealer will keep one copy.

Farm King



INTRODUCTION

This Operator And Parts Manual was written to give the owner / operator instructions on the safe operation, maintenance and part identification of the Farm King equipment. **READ AND UNDERSTAND THIS OPERATOR AND PARTS MANUAL BEFORE OPERATING YOUR FARM KING EQUIPMENT.** If you have any questions, see your Farm King dealer. This manual may illustrate options and accessories not installed on your Farm King equipment.

OWNER'S INFORMATION9
 Serial Number Location9

EQUIPMENT IDENTIFICATION10
 Component Location10

Farm King



OWNER'S INFORMATION

Thank you for your decision to purchase a Farm King Sickle Bar Mower. To ensure maximum performance of your equipment, it is mandatory that you thoroughly study the Operator And Parts Manual and follow the recommendations. Proper operation and maintenance are essential to maximize equipment life and prevent personal injury.

Operate and maintain this equipment in a safe manner and in accordance with all applicable local, state, and federal codes, regulations and / or laws. Follow all on-product labeling and instructions.

Make sure that all personnel have read this Operator and Parts Manual and thoroughly understand safe and correct operating, installation and maintenance procedures.

Farm King is continually working to improve its products. Farm King reserves the right to make any improvements or changes as deemed practical and possible without incurring any responsibility or obligation to make any changes or additions to equipment sold previously.

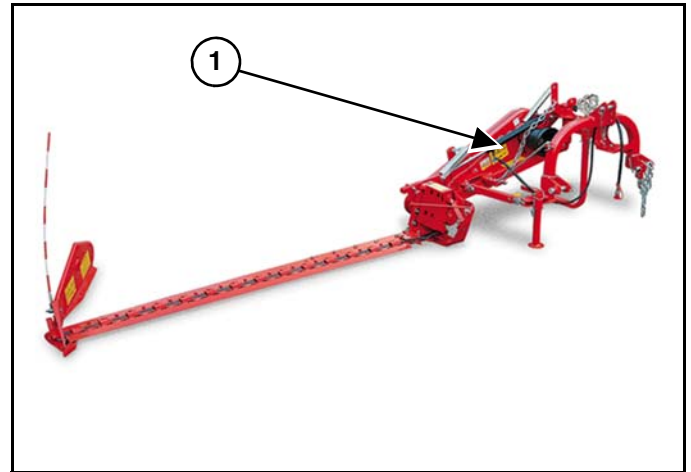
Although great care has been taken to ensure the accuracy of this publication, Farm King makes no warranty or guarantee of any kind, written or expressed, implied or otherwise with regard to the information contained within this manual. Farm King assumes no responsibility for any errors that may appear in this manual and shall not be liable under any circumstances for incidental, consequential or punitive damages in connection with, or arising from the use of this manual.

Keep this manual available for frequent reference. All new operators or owners must review the manual before using the equipment and annually thereafter. Contact your Farm King Dealer if you need assistance, information, or additional copies of the manual. Visit our website at www.farm-king.com for a complete list of dealers in your area.

The directions left, right, front and rear, as mentioned throughout this manual, are as viewed from the rear of the equipment.

Serial Number Location

Please enter the model and serial number in the space provided for easy reference.

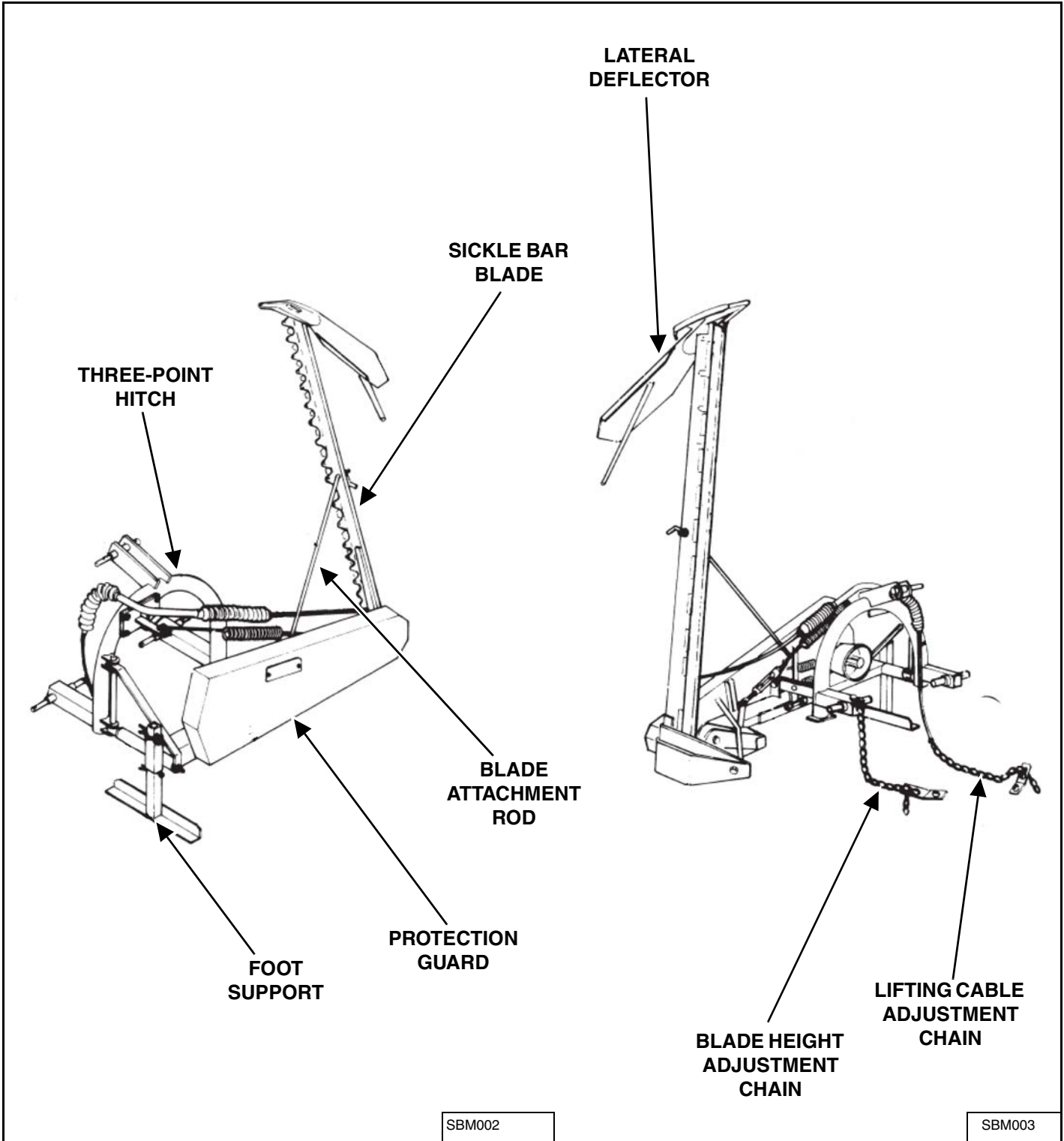
Figure 1**Model Number:** _____**Serial Number:** _____

The serial number plate (Item 1) **[Figure 1]** is located on the rear of the three point hitch.

Always use your serial number when requesting information or when ordering parts.

EQUIPMENT IDENTIFICATION

Component Location



SAFETY

SAFETY INSTRUCTIONS 13

- Safe Operation Is The Operator’s Responsibility 13
- Safe Operation Needs A Qualified Operator 13
- Use Safety Rules 14
- Transport Safety 14
- Machine Requirements And Capabilities 15

FIRE PREVENTION 15

- Maintenance 15
- Operation 15
- Starting 15
- Electrical 16
- Hydraulic System 16
- Welding And Grinding 16
- Fire Extinguishers 16

SAFETY SIGNS (DECALS) 17

EQUIPMENT DECALS AND SIGNS 18

SAFETY SIGN-OFF FORM 20

Farm King



SAFETY INSTRUCTIONS

Safe Operation Is The Operator’s Responsibility

	<p>Safety Alert Symbol</p>
<p>This symbol with a warning statement means: “Warning, be alert! Your safety is involved!” Carefully read the message that follows.</p>	



CAUTION

The signal word **CAUTION** on the machine and in the manuals indicates a potentially hazardous situation which, if not avoided, may result in minor or moderate injury. It may also be used to alert against unsafe practices.



DANGER

The signal word **DANGER** on the machine and in the manuals indicates a hazardous situation which, if not avoided, will result in death or serious injury.



WARNING

The signal word **WARNING** on the machine and in the manuals indicates a potentially hazardous situation which, if not avoided, could result in death or serious injury.



IMPORTANT

This notice identifies procedures which must be followed to avoid damage to the machine.

Safe Operation Needs A Qualified Operator



WARNING

Operators must have instructions before operating the machine. Untrained operators can cause injury or death.

For an operator to be qualified, he or she must not use drugs or alcoholic drinks which impair alertness or coordination while working. An operator who is taking prescription drugs must get medical advice to determine if he or she can safely operate a machine and the equipment.

A Qualified Operator Must Do The Following:

Understand the Written Instructions, Rules and Regulations

- The written instructions from Farm King include the Warranty Registration, Dealer Inspection Report, Operator And Parts Manual and machine signs (decals).
- Check the rules and regulations at your location. The rules may include an employer’s work safety requirements. Regulations may apply to local driving requirements or use of a Slow Moving Vehicle (SMV) emblem. Regulations may identify a hazard such as a utility line.

Have Training with Actual Operation

- Operator training must consist of a demonstration and verbal instruction. This training is given by the machine owner prior to operation.
- The new operator must start in an area without bystanders and use all the controls until he or she can operate the machine safely under all conditions of the work area. Always fasten seat belt before operating.

Know the Work Conditions

- Clear working area of all bystanders, especially small children and all obstacles that might be hooked or snagged, causing injury or damage.
- Know the location of any overhead or underground power lines. Call local utilities and have all underground power lines marked prior to operation.
- Wear tight fitting clothing. Always wear safety glasses when doing maintenance or service.

SAFETY INSTRUCTIONS (CONT'D)**Use Safety Rules**

- Read and follow instructions in this manual and the tractor's Operators Manual before operating.
- Under no circumstances should young children be allowed to work with this equipment.
- This equipment is dangerous to children and persons unfamiliar with its operation.
- If the elderly are assisting with work, their physical limitations need to be recognized and accommodated.
- Stay clear of overhead power lines. Electrocutation can occur without direct contact.
- Check for overhead and / or underground lines before operating equipment (if applicable).
- In addition to the design and configuration of equipment, hazard control and accident prevention are dependent upon the awareness, concern, prudence and proper training of personnel involved in the operation, transport, maintenance and storage of equipment.
- Check that the equipment is securely fastened to the tractor / towing vehicle.
- Make sure all the machine controls are in the NEUTRAL position before starting the machine.
- Operate the equipment only from the operator's position.
- Operate the equipment according to the Operator And Parts Manual.
- When learning to operate the equipment, do it at a slow rate in an area clear of bystanders, especially small children.
- DO NOT permit personnel to be in the work area when operating the equipment.
- The equipment must be used ONLY on approved tractors / transport vehicles.
- DO NOT modify the equipment in any way. Unauthorized modification may impair the function and / or safety and could affect the life of the equipment.
- DO NOT make any adjustments or repairs on the equipment while the machine is running.
- Keep shields and guards in place. Replace if damaged.

Transport Safety

- DO NOT exceed 20 mph (32 kph). Reduce speed on rough roads and surfaces.
- Comply with state and local laws governing highway safety and movement of machinery on public roads.
- The use of flashing amber lights is acceptable in most localities. However, some localities prohibit their use. Local laws should be checked for all highway lighting and marking requirements.
- Always install transport locks, pins or brackets before transporting.
- Always yield to oncoming traffic in all situations and move to the side of the road so any following traffic may pass.
- Always enter curves or drive up or down hills at a low speed and at a gradual steering angle.
- Never allow riders on either tractor or equipment.
- Keep tractor / towing vehicle in a lower gear at all times when traveling down steep grades.
- Maintain proper brake settings at all times (if equipped).
- Stay away from overhead power lines. Electrocutation can occur without direct contact.

Machine Requirements And Capabilities

- Stop the machine and engage the parking brake. Install blocks in front of and behind the rear tires of the machine. Install blocks underneath and support the equipment securely before working under raised equipment.
- Keep bystanders clear of moving parts and the work area. Keep children away.
- Use increased caution on slopes and near banks and ditches to prevent overturn.
- Make certain that the Slow Moving Vehicle (SMV) emblem is installed so that it is visible and legible. When transporting the equipment, use the flashing warning lights (if equipped) and follow all local regulations.
- Operate this equipment with a machine equipped with an approved Roll-Over Protective Structure (ROPS). Always wear seat belt when the ROPS is up. Serious injury or death could result from falling off the machine.
- Before leaving the operator's position:
 1. Always park on a flat level surface.
 2. Place all controls in neutral.
 3. Engage the parking brake.
 4. Stop engine.
 5. Wait for all moving parts to stop.
- Carry passengers only in designated seating areas. Never allow riders on the machine or equipment. Falling off can result in serious injury or death.
- Start the equipment only when properly seated in the operator's seat. Starting a machine in gear can result in serious injury or death.
- Operate the machine and equipment from the operator's position only.
- The parking brake must be engaged before leaving the operator's seat. Rollaway can occur because the transmission may not prevent machine movement.

FIRE PREVENTION



Maintenance

The machine and some equipment have components that are at high temperatures under normal operating conditions. The primary source of high temperatures is the engine and exhaust system. The electrical system, if damaged or incorrectly maintained, can be a source of arcs or sparks.

Flammable debris (leaves, straw, etc.) must be removed regularly. If flammable debris is allowed to accumulate, it can cause a fire hazard. Clean often to avoid this accumulation.

All fuels, most lubricants and some coolant mixtures are flammable. Flammable fluids that are leaking or spilled onto hot surfaces or onto electrical components can cause a fire.

Operation

The Farm King machine must be in good operating condition before use.

Check all of the items listed on the service schedule under the 8 hour column. (See "SERVICE SCHEDULE" on page 49.)

Do not use the machine where exhaust, arcs, sparks or hot components can contact flammable material, explosive dust or gases.

Starting

Use the procedure in the tractor's operator's manual for connecting the battery and for jump starting.

Electrical

Check all electrical wiring and connections for damage. Keep the battery terminals clean and tight. Repair or replace any damaged part or wires that are loose or frayed.

Hydraulic System

Check hydraulic tubes, hoses and fittings for damage and leakage. Never use open flame or bare skin to check for leaks. Hydraulic tubes and hoses must be properly routed and have adequate support and secure clamps. Tighten or replace any parts that show leakage.

Always clean fluid spills. Do not use gasoline or diesel fuel for cleaning parts. Use commercial nonflammable solvents.

Welding And Grinding

Always clean the machine and equipment, disconnect the battery, and disconnect the wiring from the machine controls before welding. Cover rubber hoses, battery and all other flammable parts. Keep a fire extinguisher near the machine when welding.

Have good ventilation when grinding or welding painted parts. Wear dust mask when grinding painted parts. Toxic dust or gas can be produced.

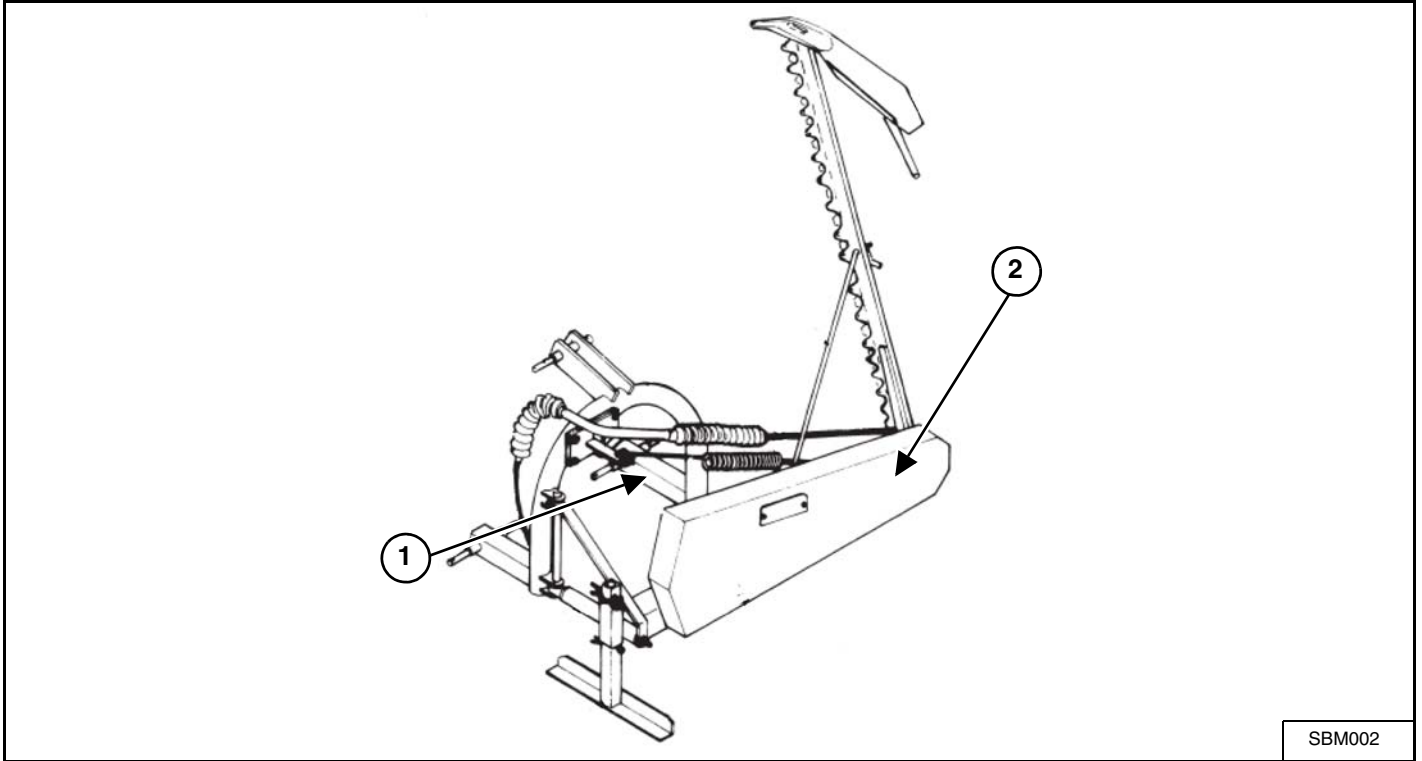
Dust generated from repairing nonmetallic parts such as hoods, fenders or covers can be flammable or explosive. Repair such components in a well ventilated area away from open flames or sparks.

Fire Extinguishers

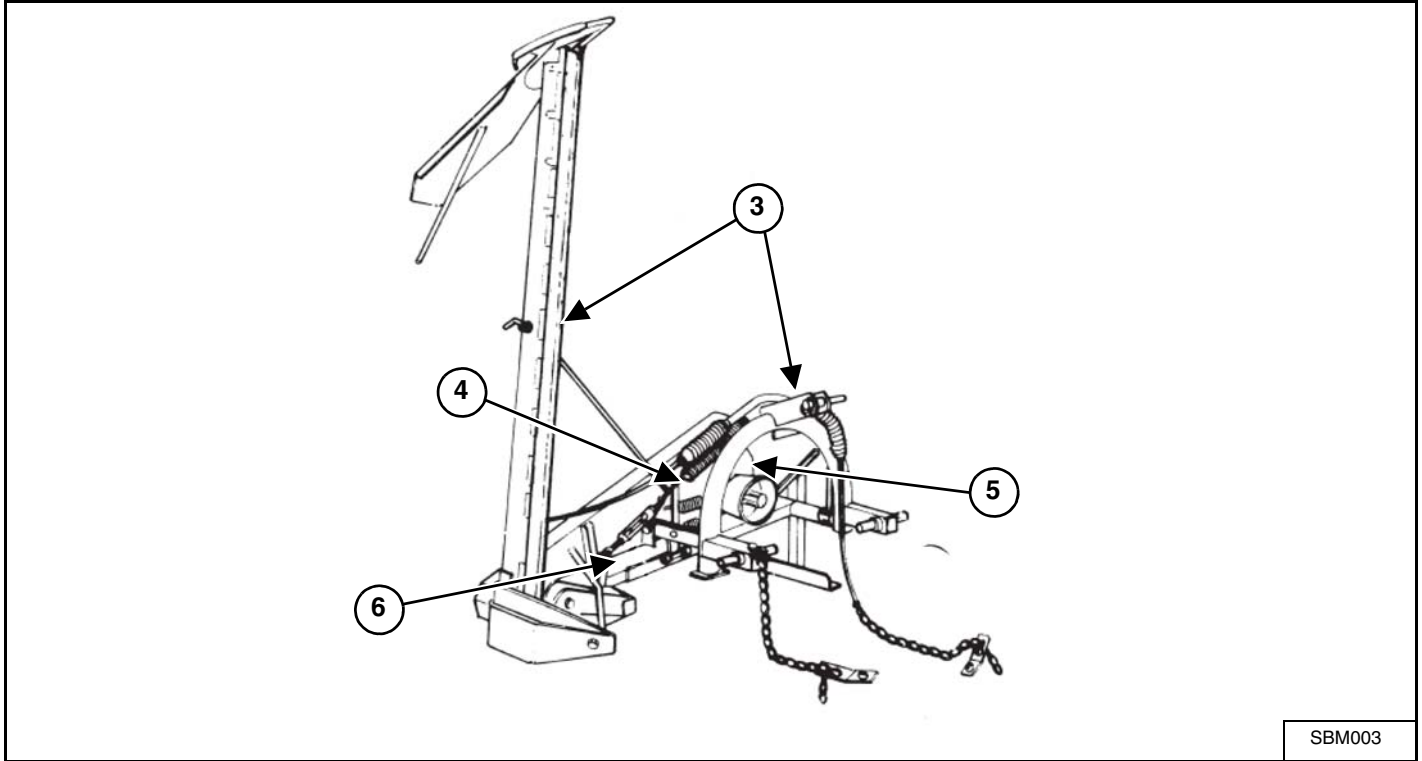
Know where fire extinguishers and first aid kits are located and how to use them. Inspect the fire extinguisher and service the fire extinguisher regularly. Obey the recommendations on the instructions plate.

SAFETY SIGNS (DECALS)

Follow the instructions on all the Signs (Decals) that are on the equipment. Replace any damaged signs (decals) and be sure they are in the correct locations. Equipment signs are available from your Farm King equipment dealer.



SBM002



SBM003

EQUIPMENT DECALS AND SIGNS

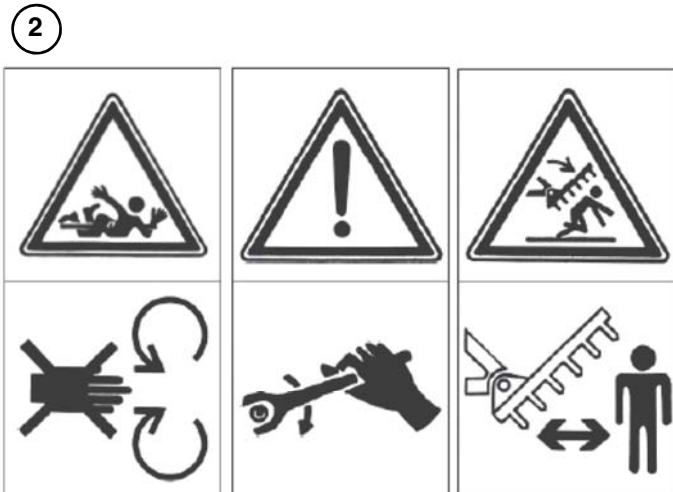
NOTE: All safety related decals are shown in the Safety Signs Section. (See "SAFETY SIGNS (DECALS)" on page 17.)

Check and replace any worn, torn, hard to read or missing decals on your equipment.



Always check bolts are well tightened.

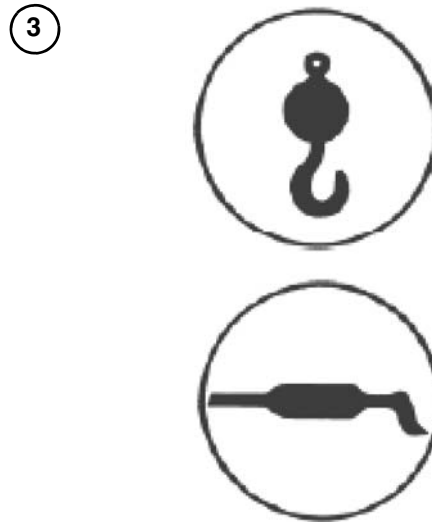
Part Number 980505009



Keep away from rotating driveline.

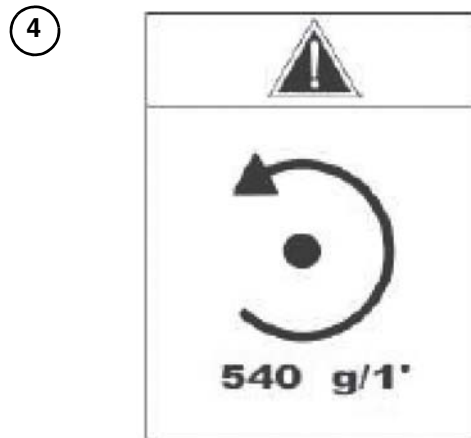
Always check bolts are well tightened.

Stay clear of folding blade when opening.



Hook up points for lifting unit and grease points.

Part Number 980505008



Hook up points for lifting unit.

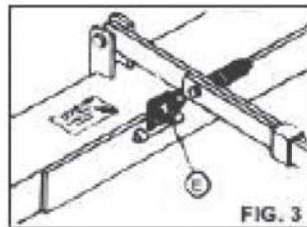
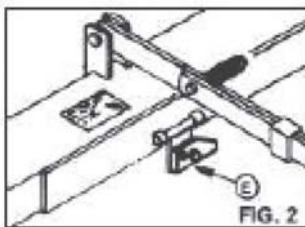
5



Keep away from rotating driveline.

Part Number 980505013

6



Important operations:

1. Connect unit to tractor lift.
2. Raise hydraulic lift of tractor.
3. Turn release support downwards before starting any operations (FIG. 2).
4. Before disconnecting unit turn release support upwards (FIG. 3).

ASSEMBLY

GENERAL ASSEMBLY INFORMATION23
 Component Unloading And Identification23

Farm King



GENERAL ASSEMBLY INFORMATION

Component Unloading And Identification



Sickle Bar Mowers are shipped without some components installed.

- Using the packing list, locate and count the individual components and verify that you have received the correct number of each component.
- Check all the components for damage. If any components are damaged or missing, contact your Farm King dealer.



- DO NOT permit bystanders to be in the work area when unloading and assembling the Sickle Bar Mower components.
- DO NOT work under suspended parts.
- Keep away from moving parts.
- Always use lifting devices / vehicles, chains or straps of adequate size and strength when unloading and assembling the Sickle Bar Mower components.

Unload the crate(s) and components on a flat level area.

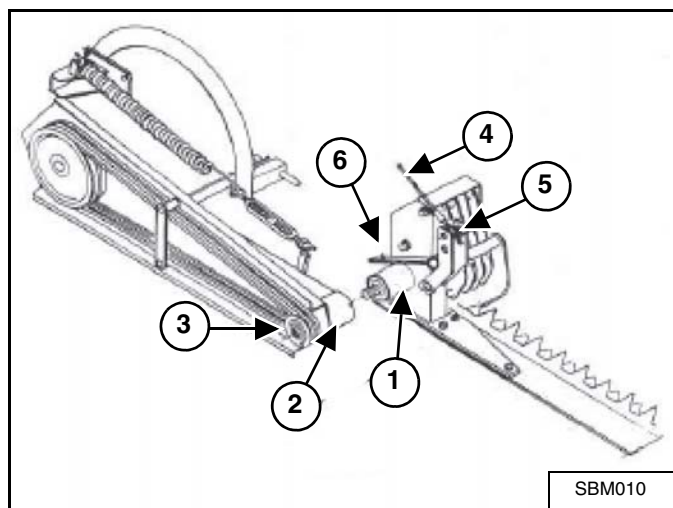
Some system components are delivered in special packaging that ensures the protection from possible damage; keep the equipment in the same position as when it was delivered.

NOTE: If any components are damaged, missing or replacement parts are required, contact your Farm King Dealer.

NOTE: Most Sickle Bar Mowers are shipped disassembled and packed in crates therefore before proceeding to connect unit to tractor is necessary to connect blade to three point hitch and main frame.

Mechanical Lift Sickle Bar Mower Blade Assembly

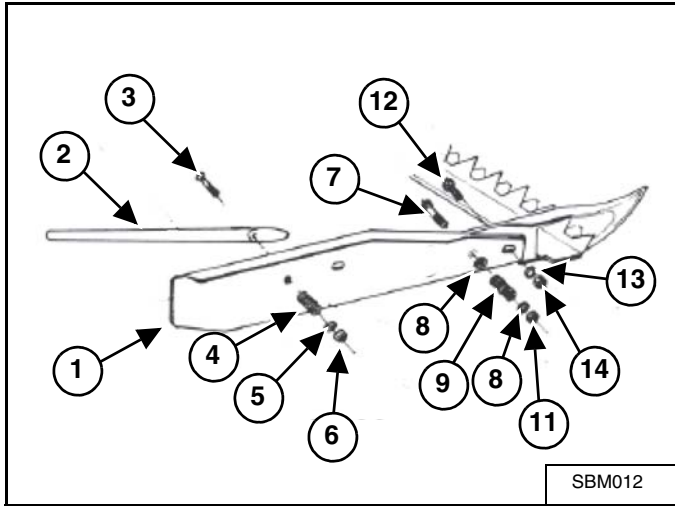
Figure 2



Remove from support (Item 1) into frame (Item 2) and fasten with same snap ring and segger ring. Screw or pull (Item 3) and connect cable (Item 4) to link (Item 5) [Figure 2].

Mount the three belts and external protection guard.

Figure 3

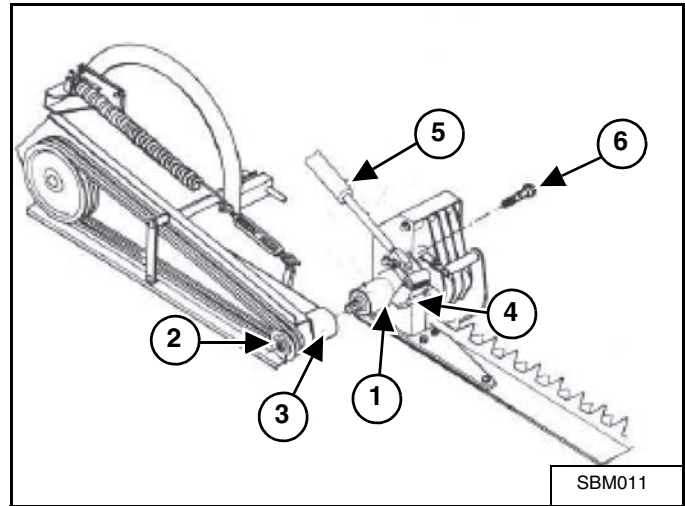


Mount lateral deflector (Item 1) and fasten with screws TE 12x50 (Item 12), washer (Item 13) and self-locking nut 12 MA (Item 14). Insert screw TE 12x90 (Item 7), washers (Item 8), spring (9) and fasten with self-locking nut (Item 11) [Figure 3].

Install the deflector (Item 2), Install bolt (Item 3), spring (Item 4), washer (Item 5) and nut (Item 6) [Figure 3].

Hydraulic Lift Sickle Bar Mower Blade Assembly

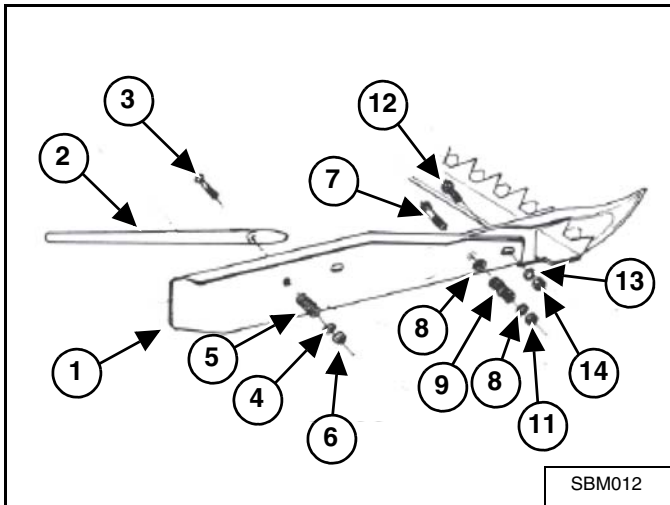
Figure 4



Remove from support (Item 1) pulley (Item 2), snap ring E 80 and seeger ring 80. Insert support (Item 1) into frame (Item 3) and fasten with same snap ring and seeger ring. Screw black ori pulley (Item 3). Mount ori upper pin of support (Item 1) fork hinge (Item 4), insert cylinder shaft (Item 5) and fasten with screw TE 14x65 (Item 6) [Figure 4].

Mount the three belts and external protection guard.

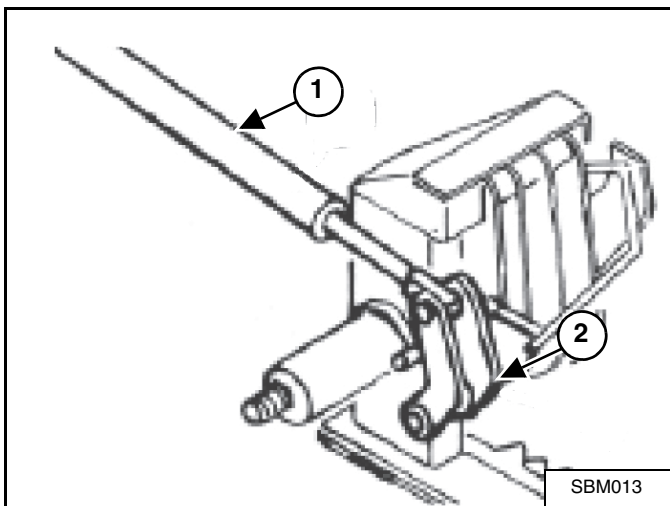
Figure 5



Mount lateral deflector (Item 1) (FIG. 3.3) and fasten with screws TE 12x50 (Item 12), washer (Item 13) and self-locking nut 12 MA (Item 14). Insert screw TE 12x90 (Item 7), washers (Item 8), spring (9) and fasten with self-locking nut (Item 11) **[Figure 5]**.

Install the deflector (Item 2), Install bolt (Item 3), spring (Item 5), washer (Item 4) and nut (Item 6) **[Figure 5]**.

Figure 6



For the models BFS 240/H, BFS 270/H insert hydraulic shaft (Item 1) to link position (Item 2) **[Figure 6]**.

Farm King



OPERATION

GENERAL INFORMATION29
 Pre - Operation Checklist29
 Break - In Checklist30
 Tractor Requirements31
 Entering And Leaving The Operator’s Position32

INITIAL SET-UP32
 Connecting Three-Point Sickle Bar Mower To The Tractor32
 Adjusting Cutting Height33
 Connecting The PTO Driveline34
 PTO Driveline35
 Connecting Hydraulic Lines38
 Operating Sickle Bar Mower39

TRANSPORTING42
 Requirements42
 Transport Position43
 Removing The Sickle Bar Mower44

Farm King



GENERAL INFORMATION

Pre - Operation Checklist

Before operating the Sickle Bar Mower for the first time and each time thereafter, check the following items:



MOVING PART HAZARD

To prevent serious injury or death from moving parts:

- Keep hands, feet, hair and clothing away from moving parts.
- Disconnect and lockout power source before adjusting or servicing.
- Do not stand or climb on machine when operating.
- Do not approach machine until machine is completely stopped and not running.
- Do not remove any protection panels.



AVOID INJURY OR DEATH

Wear safety glasses to prevent eye injury when any of the following conditions exist:

- When fluids are under pressure.
- Flying debris or loose material is present.
- Engine is running.
- Tools are being used.



AVOID INJURY

Wear hearing protection to prevent hearing loss when operating.

1. Lubricate the equipment per the schedule outline in the Maintenance Section. (See "SERVICE SCHEDULE" on page 49.)
2. Check the Sickle Bar Mower hitch for damaged, loose or missing parts. Repair as needed before operation.
3. Fully clean the equipment.
4. Inspect all safety reflective decals, slow moving vehicle decals and lights where applicable.



Leaking fluids under pressure can enter the skin and cause serious injury or death. Immediate medical attention is required. Wear goggles. Use cardboard to check for leaks.

5. Check condition of all hydraulic components for leaks. Repair as required.

NOTE: Do not operate with hydraulic leaks.

6. Verify that the safety lock is in the unlock position.
7. Verify that the Sickle Bar Mower is properly connected to the tractor with the safety chain.

Break - In Checklist

Check the following mechanical items after 8 hours of operation:

Make sure that all hardware are tightened (especially those of the cutters).

Tractor Requirements



AVOID SERIOUS INJURY OR DEATH

The tractor must be equipped with an approved Roll Over Protection Structure (ROPS) and safety belts to help prevent personal injury or death caused by tractor roll over.



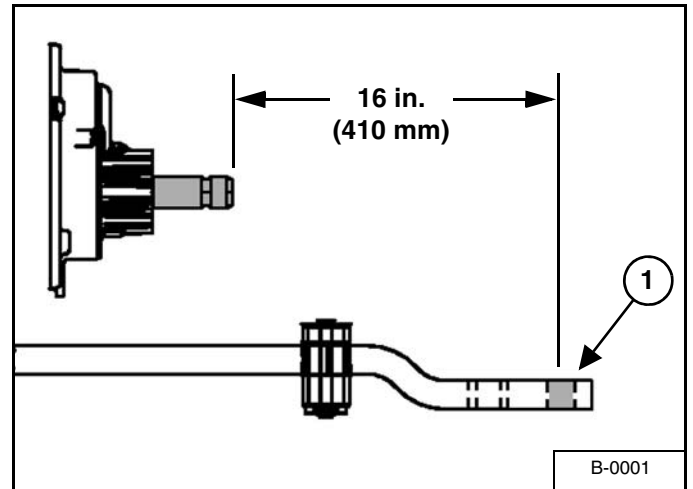
- Keep shields and all guards in place.
- Keep away from moving parts.
- Keep bystanders away.



Towing Vehicle / Tractor must have adequate braking capacity to safely control GVW trailing load. Do not tow over 20 mph (32 km/h). Towing Vehicle / Tractor unit should weigh approximately 67% of GVW.

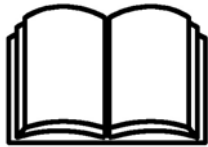
Drawbar Adjustment (Pull-Type Models)

Figure 7



Adjust the tractor's drawbar in / out, until the center of the hitch pin hole (Item 1) [Figure 7] is 16 inches (410 mm) from the end of the tractor's PTO shaft. See your tractor's owner's manual for correct adjustment procedures.

Entering And Leaving The Operator's Position



Follow the instructions in your tractor's operation manual for the correct procedure.

Entering The Operator's Position

Move to the operator's position, start the engine and release the parking brake.

Leaving The Operator's Position



AVOID INJURY OR DEATH

Before you leave the operator's position:

- **Always park on a flat level surface.**
- **Place all controls in NEUTRAL.**
- **Engage the park brake.**
- **Stop the engine and remove the key.**
- **Wait for all moving parts to stop.**

Park the tractor / equipment on a flat level surface.

Place all controls in neutral, engage the park brake, stop the engine and wait for all moving parts to stop. Leave the operator's position.

INITIAL SET-UP

Connecting Three-Point Sickle Bar Mower To The Tractor

Always inspect the tractor's three-point arms and Sickle Bar Mower hitch before connecting. See the tractor's owner's manual.

Enter the operator's position. (See "Entering The Operator's Position" on page 32.)

Move the tractor into position in front of the Sickle Bar Mower.



AVOID INJURY OR DEATH

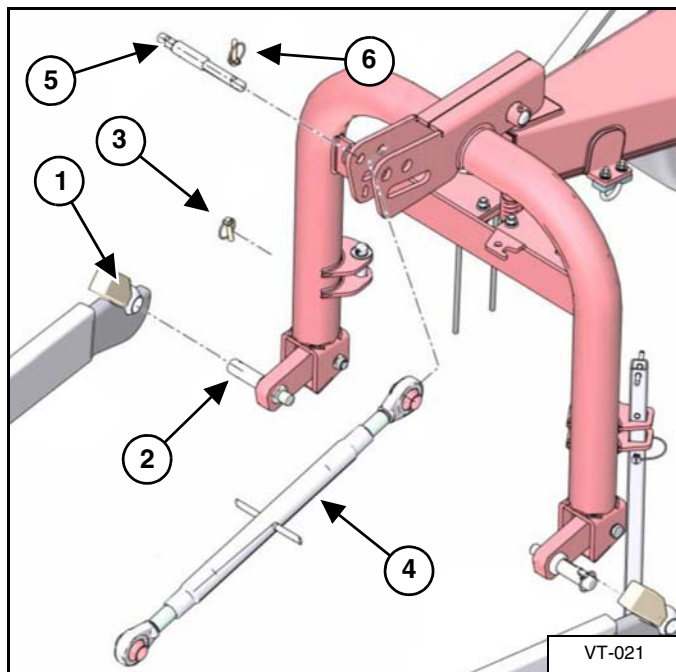
Before moving the tractor, look in all directions and make sure no bystanders, especially small children are in the work area. Do not allow anyone between the tractor and the equipment when backing up to the equipment for connecting.

Move the tractor backwards, aligning the three-point arms with the Sickle Bar Mower hitch.

NOTE: The jack may need to be lowered or raised for proper alignment of the drawbar and hitch.

Leave the operator's position. (See "Leaving The Operator's Position" on page 32.)

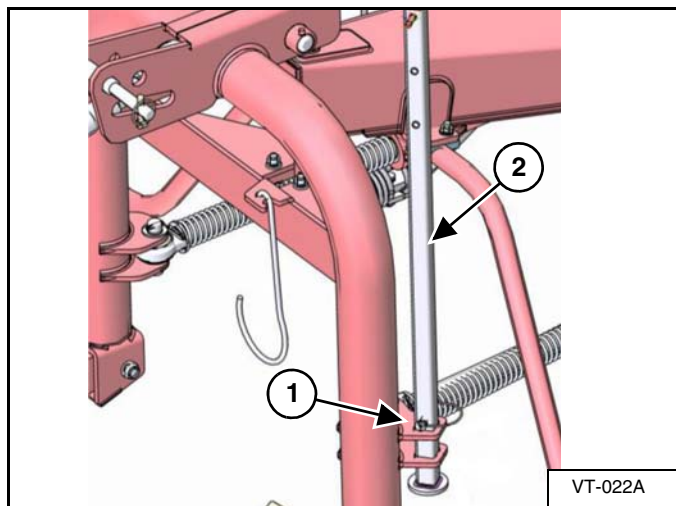
Figure 8



Install the lower lift arms (Item 1) the lower pins (Item 2) on the Sickle Bar Mower frame (one side at a time), secure in place with safety pins (Item 3) [Figure 8].

Align the upper adjustable arm (Item 4) in the with Sickle Bar Mower frame, install pin (Item 5) through the Sickle Bar Mower frame and upper adjustable arm. Install safety pin (Item 6) [Figure 8].

Figure 9



Remove the retaining pin (Item 1) and slide the jack (Item 2) (Item 2) [Figure 9] up, reinstall retaining pin into the lower hole on the jack.

Adjusting Cutting Height



AVOID INJURY OR DEATH

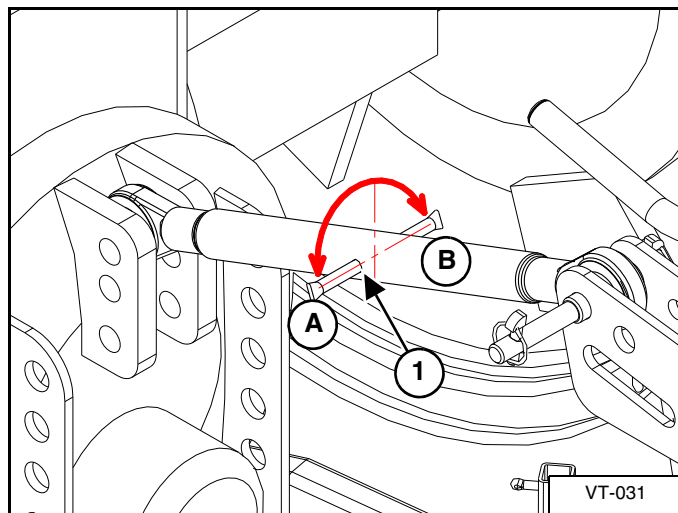
Before adjusting or servicing the machine:

- Always park on a flat level surface.
- Place all controls in NEUTRAL.
- Engage the park brake.
- Stop the engine and remove the key.
- Wait for all moving parts to stop.

Park the tractor / equipment on a flat level surface.

Place all controls in neutral, engage the park brake, stop the engine and wait for all moving parts to stop. Leave the operator's position. (See "Leaving The Operator's Position" on page 32.)

Figure 10



To adjust rotary groups angle, turn the lever (Item 1) [Figure 10] counterclockwise (direction A), moving the Sickle Bar Mower frame downwards and reducing the angle. Turn the lever clockwise (direction B), moving the Sickle Bar Mower frame upwards, increasing the angle.

Connecting The PTO Driveline



AVOID INJURY OR DEATH

Warnings on the machine and in the manuals are for your safety. Failure to obey warnings can cause serious injury or death.

NOTE: Clean and grease tractor's PTO shaft and PTO driveline coupling each time driveline is connected.

Stop the engine and leave the operator's position. (See "Leaving The Operator's Position" on page 32.)

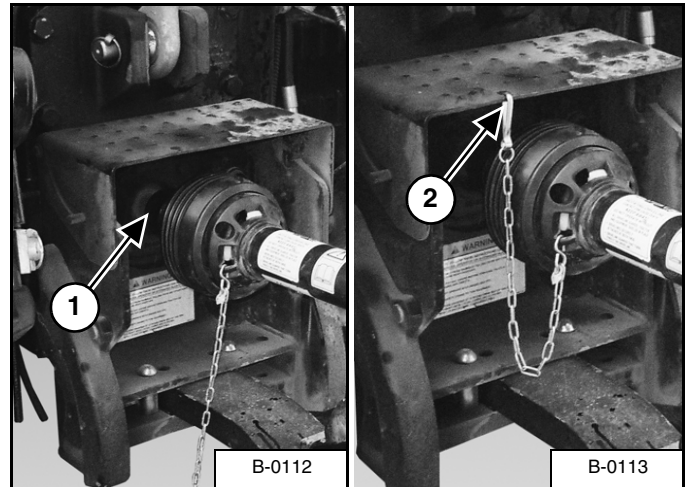


Improper hitch installation can cause PTO driveline damage.

- Do not modify the hitch or use an unapproved hitch.
- Make sure the PTO driveline is of adequate length and that u-joints are in the correct phase.

Remove the PTO driveline from the storage position (if applicable).

Figure 11



Retract the collar and slide the PTO driveline (Item 1) onto the tractor PTO shaft until it locks onto the shaft. Push and pull on the PTO driveline to verify it is securely attached to the PTO shaft. Install PTO driveline safety chain (Item 2) [Figure 11].

NOTE: The PTO driveline must have a means to retain it to the PTO shaft on the tractor.



- Do NOT exceed 540 RPM PTO.
- Keep PTO shields and all guards in place.
- Keep away from moving parts.
- Keep bystanders away.

PTO Driveline

PTO Driveline Length Check

NOTE: Due to variations in distances between tractor PTO shafts and implement input shafts, drivelines may need to be shortened or a longer shaft may be required. When fitting the implement to the tractor, the PTO driveline, with telescoping sections, must be inspected. When the sections are at the most compressed operating position, the sections must not “bottom out”. At its shortest length, there must be at least 2 in. (50,8 mm) of clearance between each section end and opposite section end at the most compressed operating position. When the sections are at the most extended position, there must be sufficient engagement between the sections. At its farthest operating extension, a minimum section engagement of 33% of shaft length must be maintained.



AVOID INJURY OR DEATH

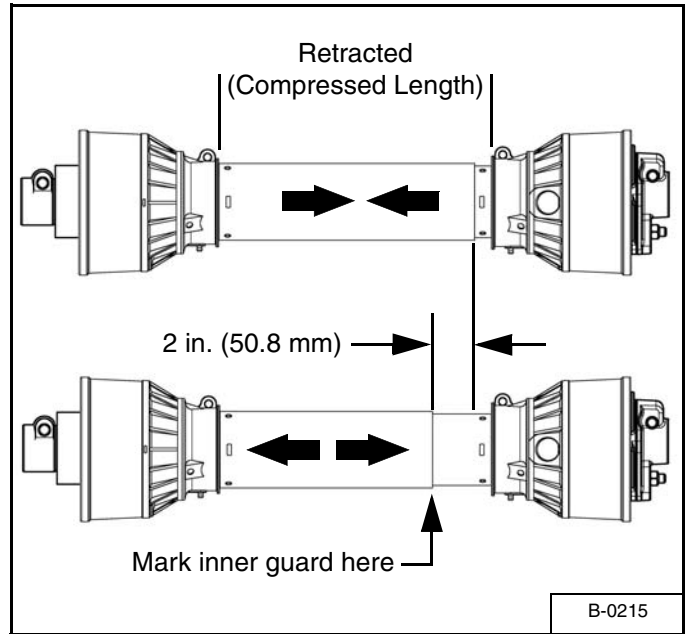
- Do NOT exceed the rated implement PTO speed.
- Stay clear of rotating driveline.
- Keep bystanders away.
- Keep hands, feet, clothing and long hair away.
- Keep PTO shields and all guards in place.
- Disengage PTO, move the tractor controls to the Neutral position, stop the engine and make sure all rotating components are stopped before leaving the operator’s position.
- Do NOT service the tractor or implement with the PTO engaged.
- Do NOT service the implement in a raised position unless properly blocked and with all rotating components stopped.
- Disengage PTO for road travel.

PTO Driveline Bottoming Out Check

Stop the engine and leave the operator’s position. (See “Leaving The Operator’s Position” on page 32.)

Make sure the PTO driveline and all rotating components have come to a complete stop before leaving the operator’s position (if applicable).

Figure 12



1. Disconnect the PTO driveline from the tractor and slide the PTO driveline together until fully retracted (compressed).
2. Measure the retracted (compressed) length of PTO driveline [Figure 12].
3. Extend the PTO driveline 2 in. (50,8 mm) from the retracted length and place a mark on the inner guard at the end of the outer guard [Figure 12].
4. Reattach the PTO driveline to the tractor PTO shaft.
5. Enter the operator’s position. (See “Entering The Operator’s Position” on page 32.) Start the engine.
6. With the rear PTO DISENGAGED, raise and lower the implement and watch the PTO driveline extend and retract.
7. If the outer PTO driveline guard slides in (retracts) over the mark at any point of travel, the PTO driveline needs to be shortened.

Reducing The PTO Driveline Length

Stop the engine and leave the operator's position. (See "Leaving The Operator's Position" on page 32.)

Make sure the PTO driveline and all rotating components have come to a complete stop before leaving the operator's position.



AVOID INJURY OR DEATH

- **Do NOT exceed the rated implement PTO speed.**
- **Stay clear of rotating driveline.**
- **Keep bystanders away.**
- **Keep hands, feet, clothing and long hair away.**
- **Keep PTO shields and all guards in place.**
- **Disengage PTO, move the tractor controls to the Neutral position, stop the engine and make sure all rotating components are stopped before leaving the operator's position.**
- **Do NOT service the tractor or implement with the PTO engaged.**
- **Do NOT service the implement in a raised position unless properly blocked and with all rotating components stopped.**
- **Disengage PTO for road travel.**

Remove the PTO driveline from the tractor and place in storage position (if equipped).

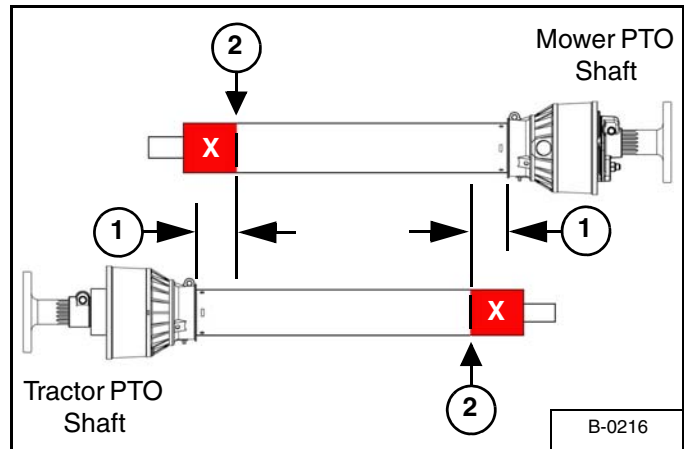
Enter the operator's position. (See "Entering The Operator's Position" on page 32.) Start the engine.

Raise or lower the mower to get the shortest distance between the tractor PTO shaft and mower gearbox PTO shaft.

Stop the engine and leave the operator's position. (See "Leaving The Operator's Position" on page 32.)

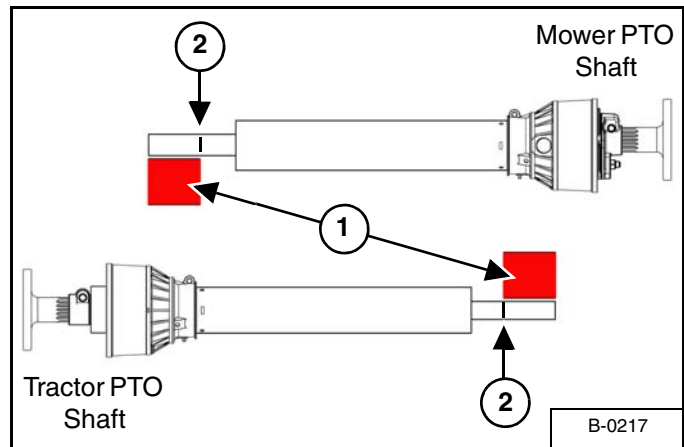
Pull the PTO driveline apart and reinstall each individual section; one half to the tractor PTO shaft and one half to the implement gearbox PTO shaft.

Figure 13



1. Hold PTO driveline sections parallel to one another and measure back 2 in. (50,8 mm) (Item 1) from the yoke of each section and place mark on opposite section. Cut the plastic shield at this length (Item 2) [Figure 13].

Figure 14



2. Using the plastic guard lengths that were cut off in [Figure 13], align the cut off lengths (Item 1) with the end of the inner & outer shafts. Place a mark (Item 2) [Figure 14] on the inner & outer shafts and cut the inner & outer shafts off at this length.
3. Round off all sharp edges and debur.
4. Thoroughly grease and install the PTO driveline halves together.
5. Recheck for proper operation.

PTO Driveline Engagement Check

Stop the engine and leave the operator's position. (See "Leaving The Operator's Position" on page 32.)

Make sure the PTO driveline and all rotating components have come to a complete stop before exiting the compact tractor.

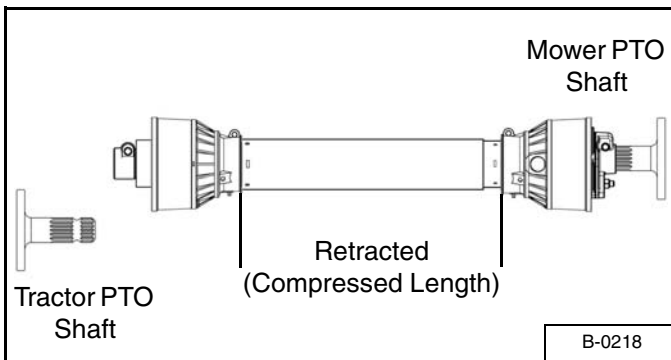


AVOID INJURY OR DEATH

- Do NOT exceed the rated implement PTO speed.
- Stay clear of rotating driveline.
- Keep bystanders away.
- Keep hands, feet, clothing and long hair away.
- Keep PTO shields and all guards in place.
- Disengage PTO, move the tractor controls to the Neutral position, stop the engine and make sure all rotating components are stopped before leaving the operator's position.
- Do NOT service the tractor or implement with the PTO engaged.
- Do NOT service the implement in a raised position unless properly blocked and with all rotating components stopped.
- Disengage PTO for road travel.

1. Disconnect the PTO driveline from the tractor and fully slide the driveline sections together (retracted).

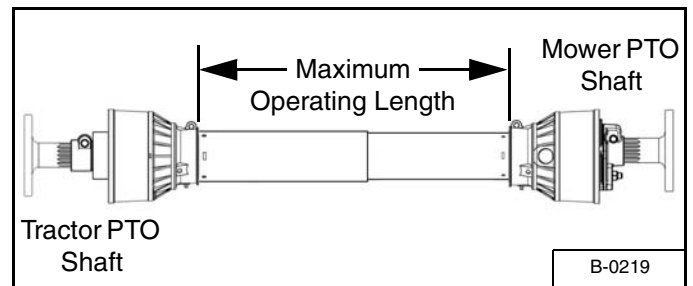
Figure 15



2. Measure the retracted (compressed) length of the PTO driveline between the bases of the plastic guards [Figure 15].

3. Multiply the retracted driveline length by 1.667 to determine the PTO driveline Maximum Operating Length. (i.e.: 25.5 in. (647,7 mm) x 1.667= 42.5 in. (1079,7 mm) Maximum Operating Length).
4. Attach the PTO driveline to the tractor PTO output shaft.
5. Enter the operator's position. (See "Entering The Operator's Position" on page 32.)
6. With the PTO driveline attached, position the mower to where the telescoping PTO driveline is at its maximum operating extension.
7. Stop the engine and leave the operator's position. (See "Leaving The Operator's Position" on page 32.) Make sure the PTO driveline and all rotating components have come to a complete stop before leaving the operator's position.

Figure 16



8. Measure the length of the PTO driveline between the bases of the plastic shields [Figure 16] to determine the maximum operating length.

A. If the measured maximum operating length is less than the Maximum Operating Length calculation (from Step 3), the PTO driveline has adequate engagement

B. If the measured maximum operating length is equal to or more than the Maximum Operating Length calculation (from Step 3), the PTO driveline does not have adequate engagement and should be replaced with a longer driveline. See your Farm King dealer for available PTO drivelines.

Connecting Hydraulic Lines



HIGH PRESSURE FLUID HAZARD

To prevent serious injury or death from high pressure fluid:

- Relieve pressure on system before repairing or adjusting.
- Wear proper hand and eye protection when searching for leaks. Use wood or cardboard instead of hands.
- Keep all components in good repair.

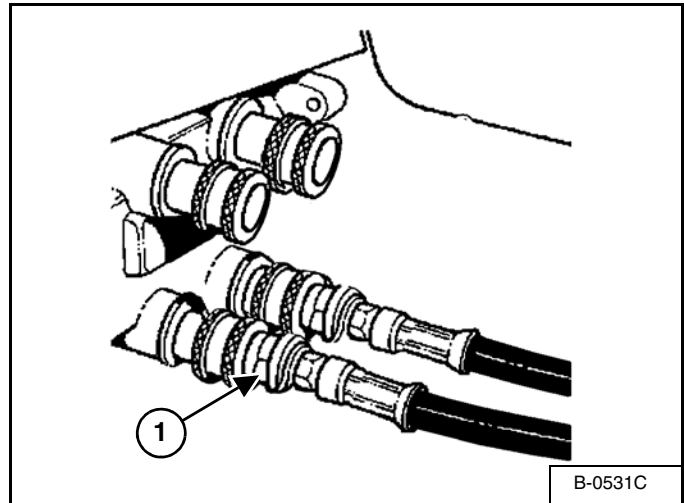


- Contain and dispose of any oil leakage in an environmentally safe manner.
- Thoroughly clean the quick couplers before making connections. Dirt can quickly damage the system.

NOTE: Make sure the quick couplers are fully engaged. If the quick couplers do not fully engage, check to see that the couplers are the same size and type.

To Connect:

Figure 17



Connect the two hydraulic lines to the tractor [Figure 17].

1. Supply Line.

To Disconnect:



AVOID BURNS

Hydraulic fluid, tubes, fittings and quick couplers can get hot when running equipment. Be careful when connecting and disconnecting quick couplers.

Pull on the hydraulic lines to disconnect.

Operating Sickle Bar Mower



- Do NOT exceed 540 RPM PTO.
- Keep PTO shields and all guards in place.
- Keep away from moving parts.
- Keep bystanders away.



Before operating the equipment:

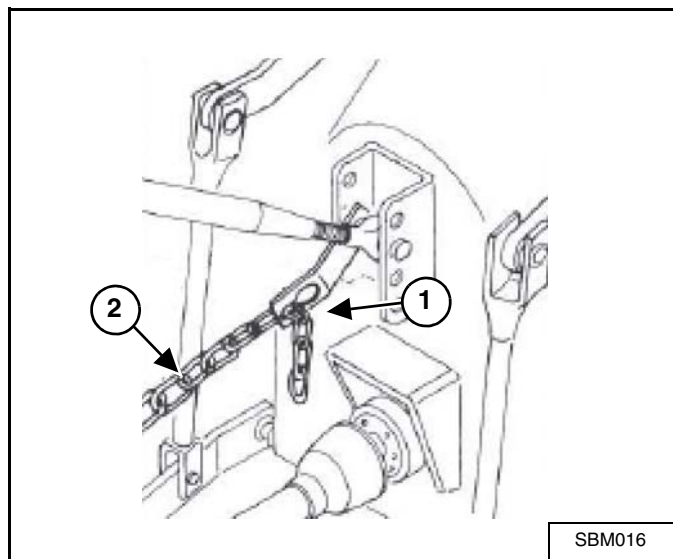
- Clear the work area of all bystanders, especially small children and animals.
- Clear the work area of all obstacles.
- Keep shields and all guards in place.
- Keep away from moving parts.

Move to the operator's position, start the engine and release the parking brake. (See "Entering The Operator's Position" on page 32.)

Move the tractor and Sickle Bar Mower to work area.

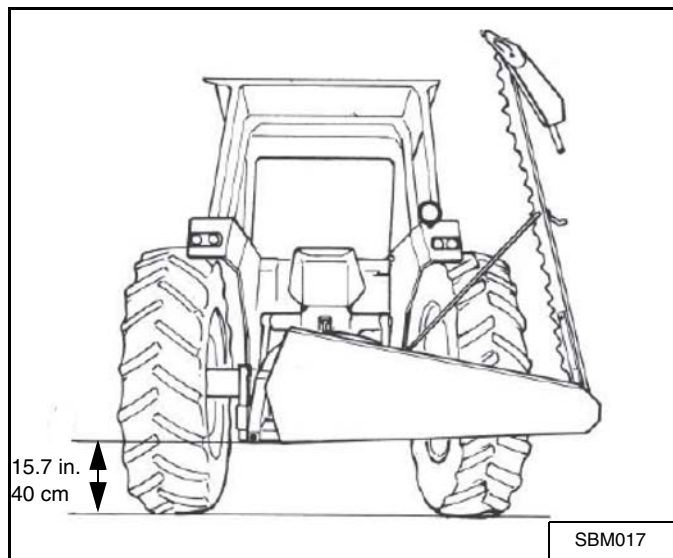
Tractor Linkage Adjustment (Mechanical Lift)

Figure 18



Using hydraulic lift on the tractor raise Sickle Bar Mower and adjust chain (Item 1) in the chain holder (Item 2) [Figure 18] so the PTO shaft is in horizontal position.

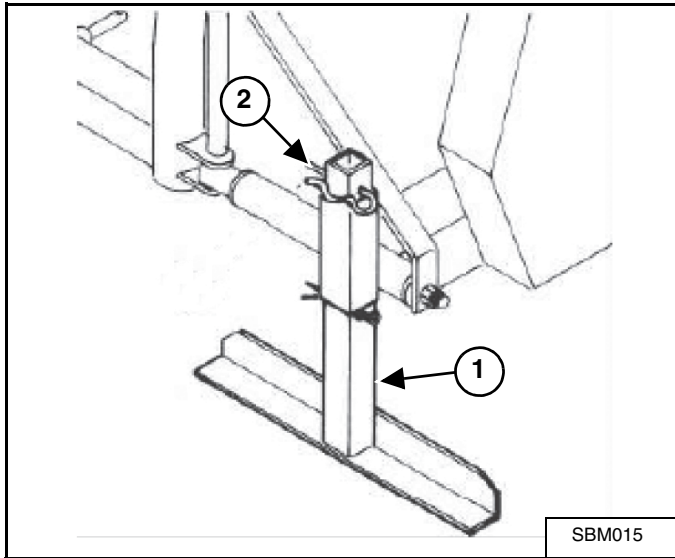
Figure 19



Clearance of lower part of Sickle Bar Mower frame should be of 15.7" (40 cm) from ground [Figure 19]

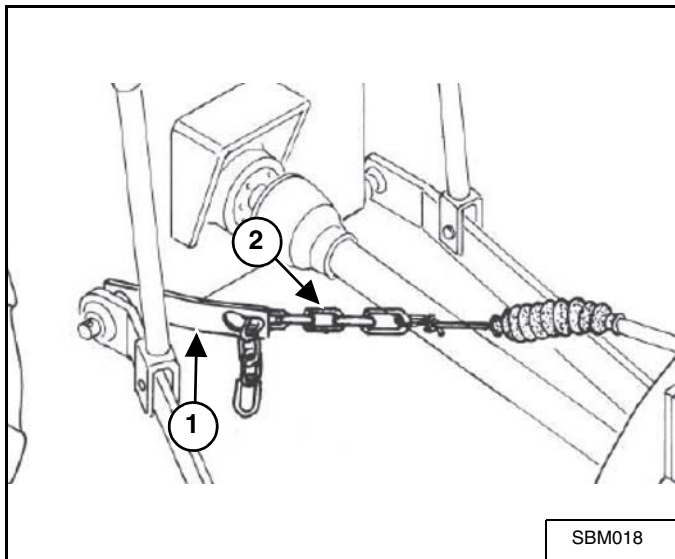
After the adjustment is completed mark chain ring in order to have always the same cutting height.

Figure 20



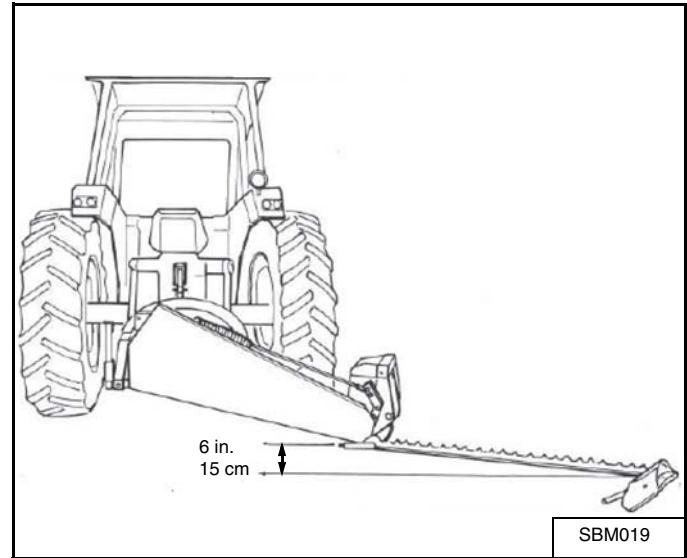
Raise foot support (Item 1) and bring into working position and fasten with split pin (Item 2) [Figure 20].

Figure 21



Connect plate with hole (Item 1) to left pin of lower tractor arm. If this is not possible, use U-bolt (supplied) and fasten to lowest part of tractor structure with hole. Stretch cable and fasten chain (Item 1)[Figure 21].

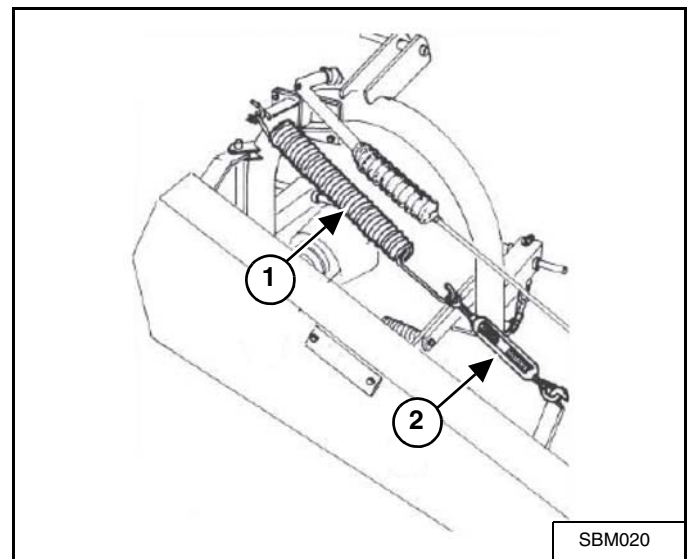
Figure 22



Using hydraulic lift of tractor control so that right extremity of sickle bar begins to raise when skid is about 6" (15 cm) from ground [Figure 22]. If further adjustments are necessary move chain rings (Item 2), in plate with hole (Item 1) [Figure 21].

After correct position is obtained, mark chain ring so that you always have the same height.

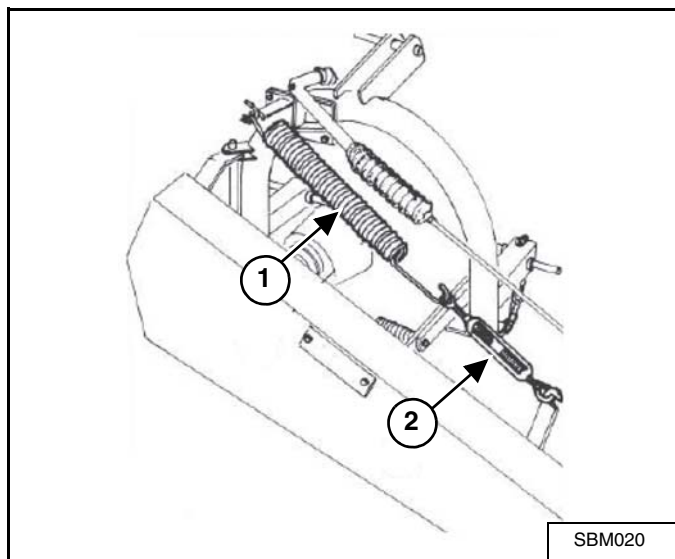
Figure 23



The weight of Sickle Bar Mower on ground is absorbed by compensation spring (Item 1) whose stretch can be adjusted by turnbuckle (Item 2) [Figure 23].

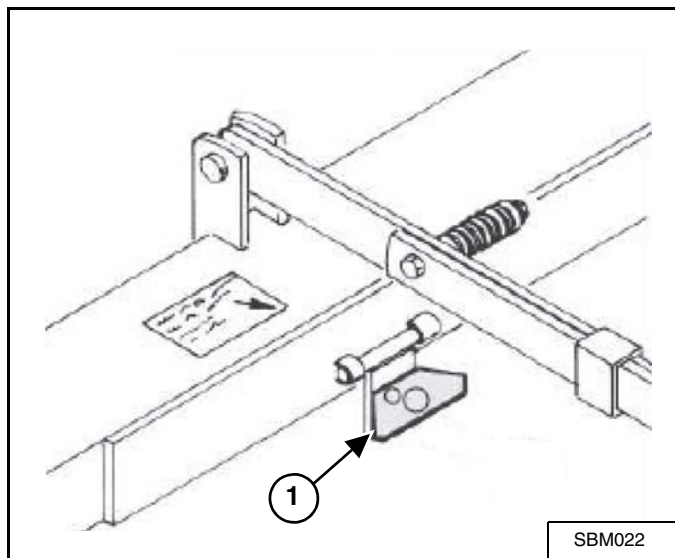
Tractor Linkage Adjustment (Hydraulic Lift)

Figure 24



The weight of Sickle Bar Mower on ground is absorbed by compensation spring (Item 1) whose stretch can be adjusted by turnbuckle (Item 2) [Figure 24].

Figure 25



Never close hydraulic cylinder if release support (Item 1) [Figure 25] has not been turned downwards.

Tractor controls are used for raising and lowering operations.

Cutting Speed

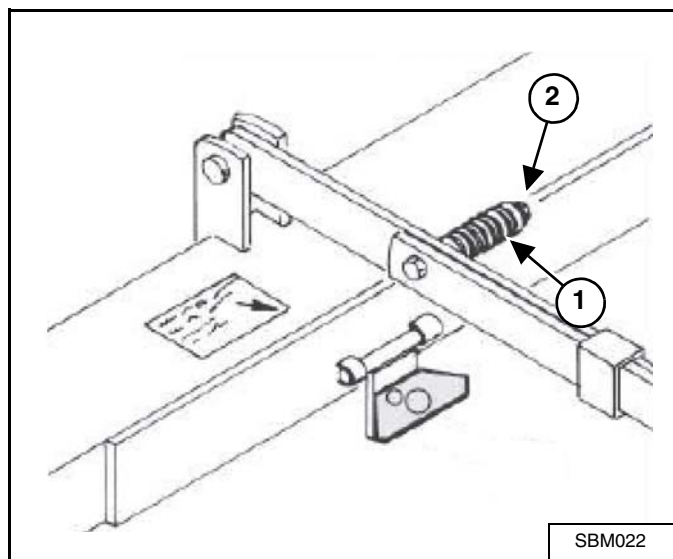
NOTE: For a good quality cut we recommend that you engage PTO speed between 400 to 450 rpm.

Do not operate over 540 rpm and do not overspeed. Keep tractor speed as high as possible between 6 - 10 mph (10 - 15 kmh) to facilitate grass discharge. In order to avoid clogging up of blade we recommend that the Sickle Bar Mower rests as close as possible to grass to be cut especially in the presence of flattened grass. Always be aware of crop and field conditions. In rough field conditions, speed should be reduced.

Safety Release Breakaway Latch

NOTE: Sickle bar mower is protected with a safety release mechanism. If an obstruction is hit, the cutter bar will swing back. Stop tractor and do not raise sickle bar. Turn off tractor engine and make sure that PTO shaft is not disengaged, if so, engage PTO shaft in correct position.

Figure 26



To reset safety release, back up tractor until latch breaks away.

If required, adjust spring (Item 1) using nut (Item 2) [Figure 26] and tighten half turn at the time.

TRANSPORTING

Requirements

Comply with federal, state, local and provincial laws regarding the transport of farm equipment on public roadways.



AVOID SERIOUS INJURY OR DEATH

Use of an unapproved hitch or tractor / tow vehicle can result in loss of control, leading to serious injury or death.

Tractor / tow vehicle and hitch must have the rated capacity to tow equipment.



AVOID SERIOUS INJURY OR DEATH

Excess weight will greatly increase tractor stopping distance and may cause the operator to lose control of the tractor or tow vehicle.



AVOID SERIOUS INJURY OR DEATH

Before putting the cutting set in the transport position, wait for the complete stop of the disk rotation and send away everyone from the movement zone of the cutting set.



Towing Vehicle / Tractor must have adequate braking capacity to safely control GVW trailing load. Do not tow over 20 mph (32 km/h). Towing Vehicle / Tractor unit should weigh approximately 67% of GVW.

Verify that the tractor is approved for transporting the equipment and that the equipment is securely attached to the tractor vehicle.

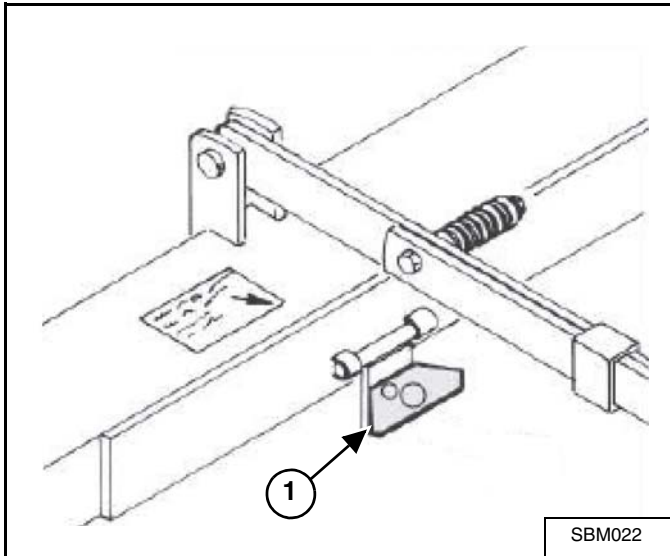
Verify safety chain is installed and properly connected before transporting equipment.

Verify that the SMV (Slow Moving Vehicle) emblem, all lights and reflectors are clean and visible.

Transport Position

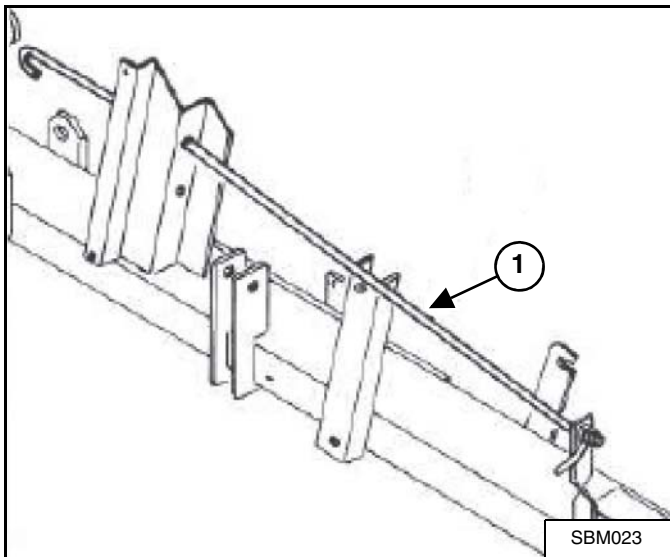
NOTE: To transport the mower on a road or from a field to another raise mower to reduce overall width.

Figure 27



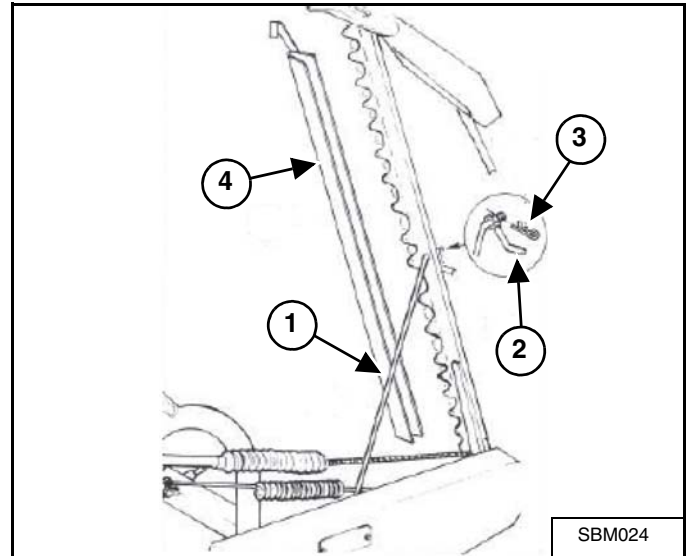
NOTE: Remember always to turn release support (Item 1) [Figure 27] upwards before raising mower and before road transport.

Figure 28



Once Sickle Bar Mower blade is in vertical position, block using tie rod hook (Item 1) [Figure 28] which was previously removed.

Figure 29



Fasten tie rod hook (Item 1) with handle (Item 2) and insert split pin (Item 3) and cover blade with protection guard cover (Item 4) [Figure 29].

Removing The Sickle Bar Mower

NOTE: Remove the Sickle Bar Mower with the cutting set when it is in working position.

NOTE: Before lowering the machine (always in working position) position the small foot.

Place the Sickle Bar Mower in the working position.

Get off the tractor and position the stop lever of the suspension.

Raise Sickle Bar Mower completely using hydraulic lift arms of tractor.

Using tractor distributor lever, draw out cylinder shaft about 10" (25 cm). (This operation is necessary only for units with hydraulic lift).

Figure 30

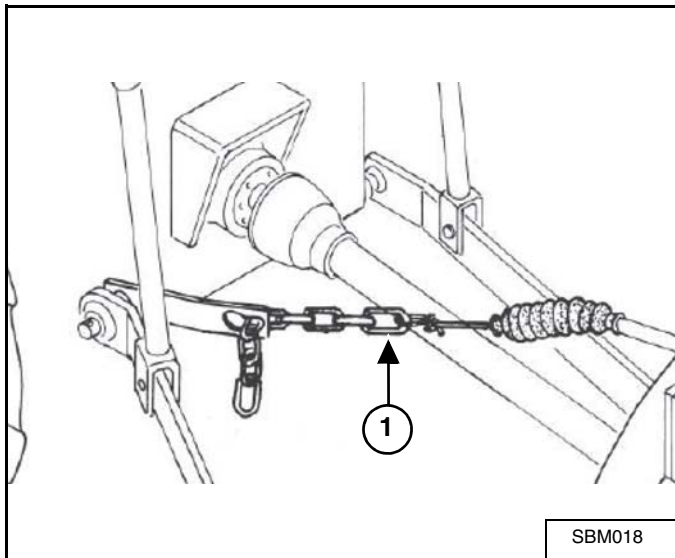
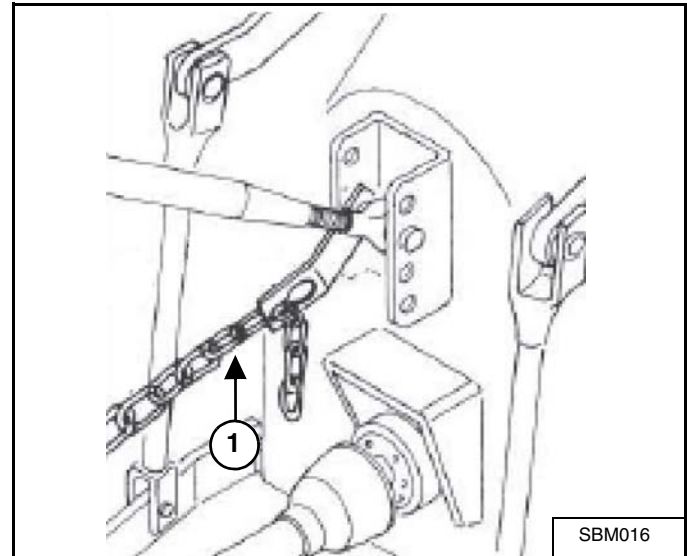
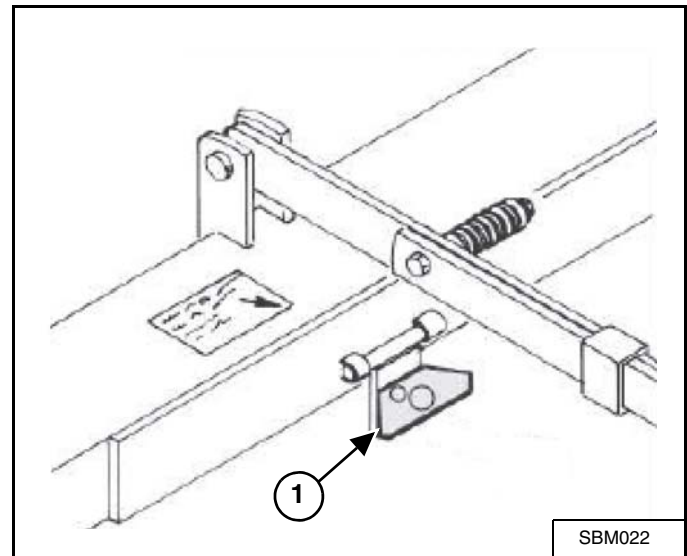


Figure 31

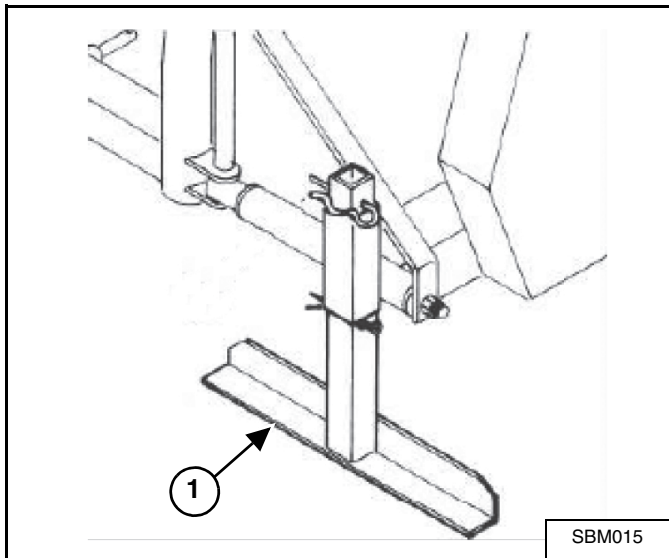


3. Step down from tractor and disconnect chain (Item 1) [Figure 30] and [Figure 31].

Figure 32



Turn release support (Item 1) [Figure 32] upwards. This will keep linkage pins in horizontal position in order to facilitate next hitching operations.

Figure 33

Lower foot support (Item 1) [Figure 33]

Lower mower to ground.

Disconnect hydraulic hose. (This operation is necessary only for units with hydraulic lift).

Unhitch tractor lift arms and upper 3-point hitch arm.

Disconnect PTO shaft.

Farm King



MAINTENANCE

SERVICE SCHEDULE49
Maintenance Intervals49

CLEANING AND MAINTENANCE50
General Instructions50
Precautionary Measures To Be Adopted During The Cleaning And Maintenance Operations . .50
Check Belt Tension51
Lubrication52
Blade Replacement53

STORAGE AND RETURN TO SERVICE53
Storage53
Return To Service54

Farm King



SERVICE SCHEDULE

Maintenance Intervals

Maintenance work must be done at regular intervals. Failure to do so will result in excessive wear and early failures. The service schedule is a guide for correct maintenance of the Sickle Bar Mower.



Instructions are necessary before operating or servicing equipment. Read and understand the Operator and Parts Manual and safety signs (decals) on equipment. Follow warnings and instructions in the manuals when making repairs, adjustments or servicing. Check for correct function after adjustments, repairs or service. Untrained operators and failure to follow instructions can cause injury or death.

#	DESCRIPTION	SERVICE PROCEDURES						
		Check	Clean	Lube	Change	Adjust	Drain	Locations
Every 2 hours								
4	Lubricate the Sickle Bar Mower			•				
Every 8 hours								
8	Lubricate PTO shaft			•				
9	Belt Tension	•						
Every 50 hours								
10	Bolt tightness.	•						

CLEANING AND MAINTENANCE

General Instructions

The cleaning and maintenance of the machine includes cleaning and greasing of the mobile parts etc.

These operations must be carried out following the instructions of this manual and, when required, using personal protective equipment (gloves, shoes, etc.)

The operations that may be performed at the premises may be brought back to the routine maintenance operations foreseen by this manual.

The machine during periods when it is not used should be parked in a dry and protected area.

After a period of inactivity, is to remember to perform a check in a service center. For any type of maintenance, put the mower on a flat and rigid surface; if you need to take action on the mower, remove it from the tractor.

Precautionary Measures To Be Adopted During The Cleaning And Maintenance Operations



AVOID INJURY OR DEATH

Do not clean, oil or grease by hand and elements of the Sickle Bar Mower while in motion. It is prohibited to perform any operation on the moving parts repair or adjustment.

In case you need to operate with the machine in an elevated position, the locking devices shall be provided to prevent unintentional lowering.

In order to perform any operation on the machine, the operators must wear suitable outfits, avoiding outfits that may get easily tangled up in protrusions.

Keep the working area free from obstructions, clean and dry so as to allow the complete mobility of the maintenance man.

Use a suitable equipment (tackles, jacks) for the machine lifting operations. The manual load lifting and handling may not be higher than 30 Kg for each operator.

In case of grease leakages gather them with appropriate absorbing materials and stock them in suitable containers waiting for dismantling.

If the machine has not been used for a long period, make sure that the safety devices are installed correctly; otherwise assemble the ones that have been removed for garaging.

Check Belt Tension

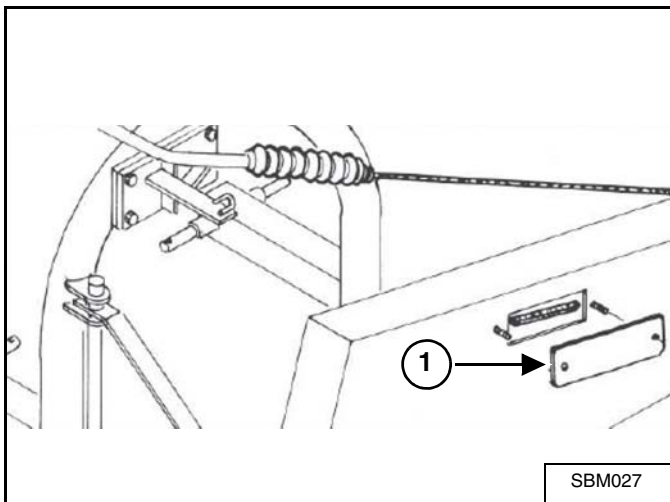


AVOID INJURY OR DEATH

We recommend the use of safety glasses and appropriate clothing. Always make sure that the correct locking tools used, respecting the instructions for use.

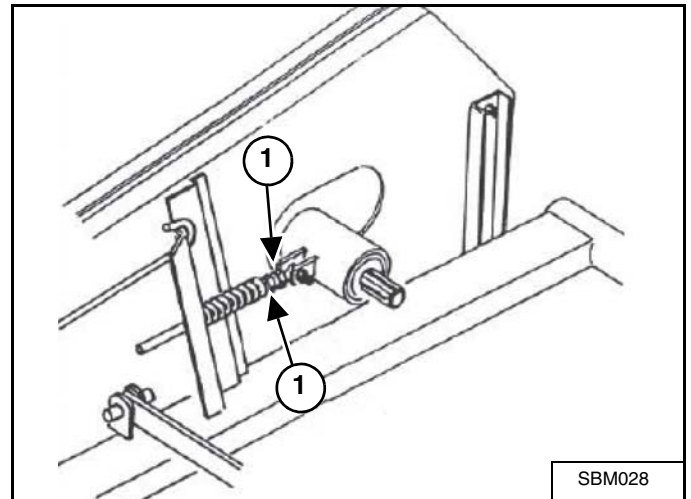
In case of replacement, be careful if are right or left. **DO NOT** mow in a rocky or stony field.

Figure 34



Remove belt window (Item 1) [Figure 34] on the protective guard.

Figure 35



If required, tighten belt using nut and jamnut (Item 1) [Figure 35].

Lubrication

Lubricate the Sickle Bar Mower every two hours.

Figure 36

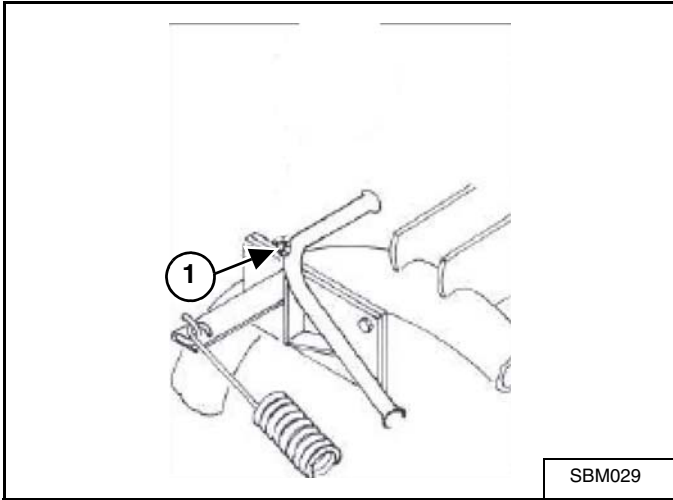
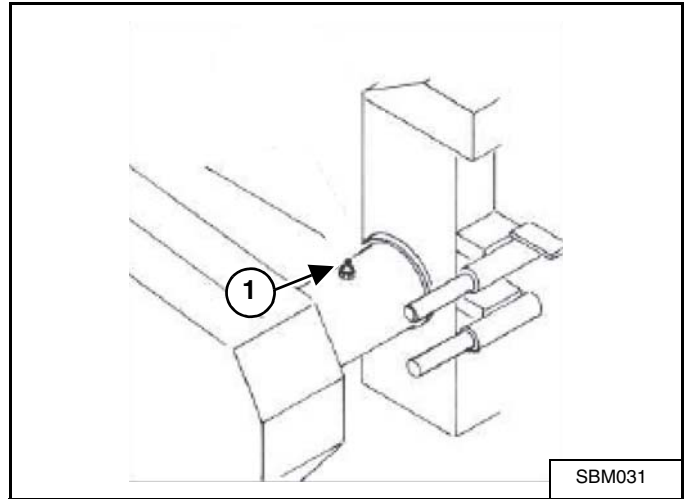
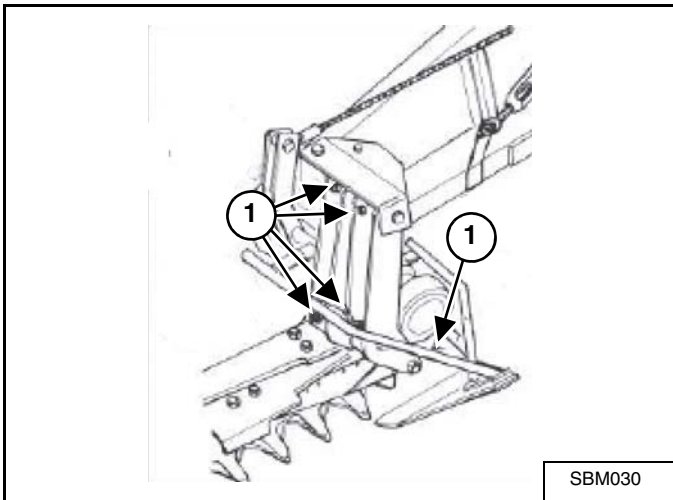


Figure 38



Lubricate the Sickle Bar Mower (Item 1) [Figure 36], [Figure 37] and [Figure 38].

Figure 37



Blade Replacement



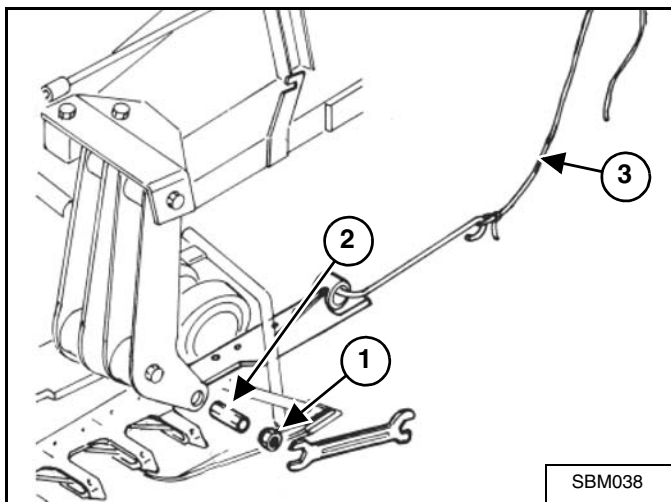
AVOID INJURY OR DEATH

We recommend the use of safety glasses and appropriate clothing. Always make sure that the correct locking tools used, respecting the instructions for use.

In case of replacement, be careful if are right or left. Not mow in a rocky or stony field.

Before replacing blade, let Sickle Bar Mower idle in order to eliminate any residues and facilitate extraction.

Figure 39



To replace blade, loosen and remove nut (Item 1) and bushing (Item 2) [Figure 39].

Use a cable (Item 3) [Figure 39] to slide out the blade.

When mounting new blade, make sure to lubricate well all cutting knives with a good quality viscous oil.

Grease all parts. (See Lubrication on Page 52.)

STORAGE AND RETURN TO SERVICE

Storage

Sometimes it may be necessary to store your Farm King Sickle Bar Mower for an extended period of time. Below is a list of items to perform before storage.



DO NOT permit children to play on or around the stored machine.

- Thoroughly clean the equipment.
- Lubricate the equipment.
- Inspect the hitch and all welds on the equipment for wear and damage.
- Check for loose hardware, missing guards, or damaged parts.
- Check for damaged or missing safety signs (decals). Replace if necessary.
- Replace worn or damaged parts.
- Touch up all paint nicks and scratches to prevent rusting.
- Store the Sickle Bar Mower in a clean, dry, sheltered area.
- Place the equipment flat on the ground.

Return To Service

After the Farm King Sickle Bar Mower has been in storage, it is necessary to follow a list of items to return the equipment to service.

- Be sure all shields and guards are in place.
- Lubricate the equipment.
- Clean and inspect pusher chain for excessive wear or stiffness. Check for proper adjustment and alignment.
- Inspect and repack wheel bearings with a SAE multi purpose type grease.
- Check that tires are properly inflated.
- Connect to a tractor and operate equipment, verify all functions operate correctly.
- Check for leaks. Repair as needed.
- Review the Operator's Manual.

PARTS IDENTIFICATION

GENERAL INFORMATION57

THREE POINT HITCH58

GEARBOX ASSEMBLY62

SICKLE BAR BLADE ASSEMBLY (19010529)64

SICKLE BAR BLADE ASSEMBLY (19010530)68

LATERAL DEFLECTOR ASSEMBLY74

LIFT ASSEMBLY76

Farm King

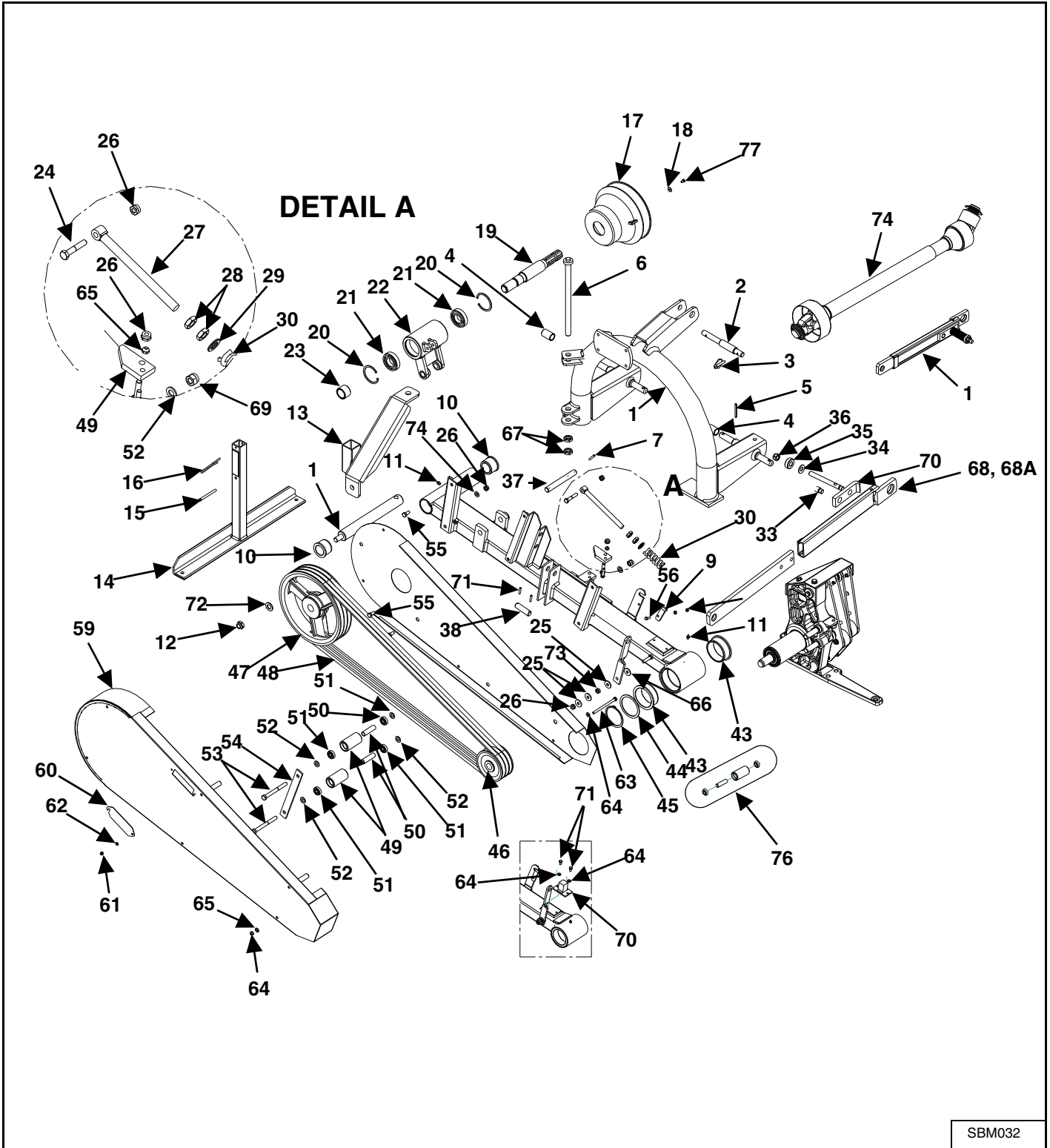


GENERAL INFORMATION

The parts identification section lists descriptions, part numbers and quantities for the Sickle Bar Mower. Contact your Farm King dealer for additional Sickle Bar Mower parts information.



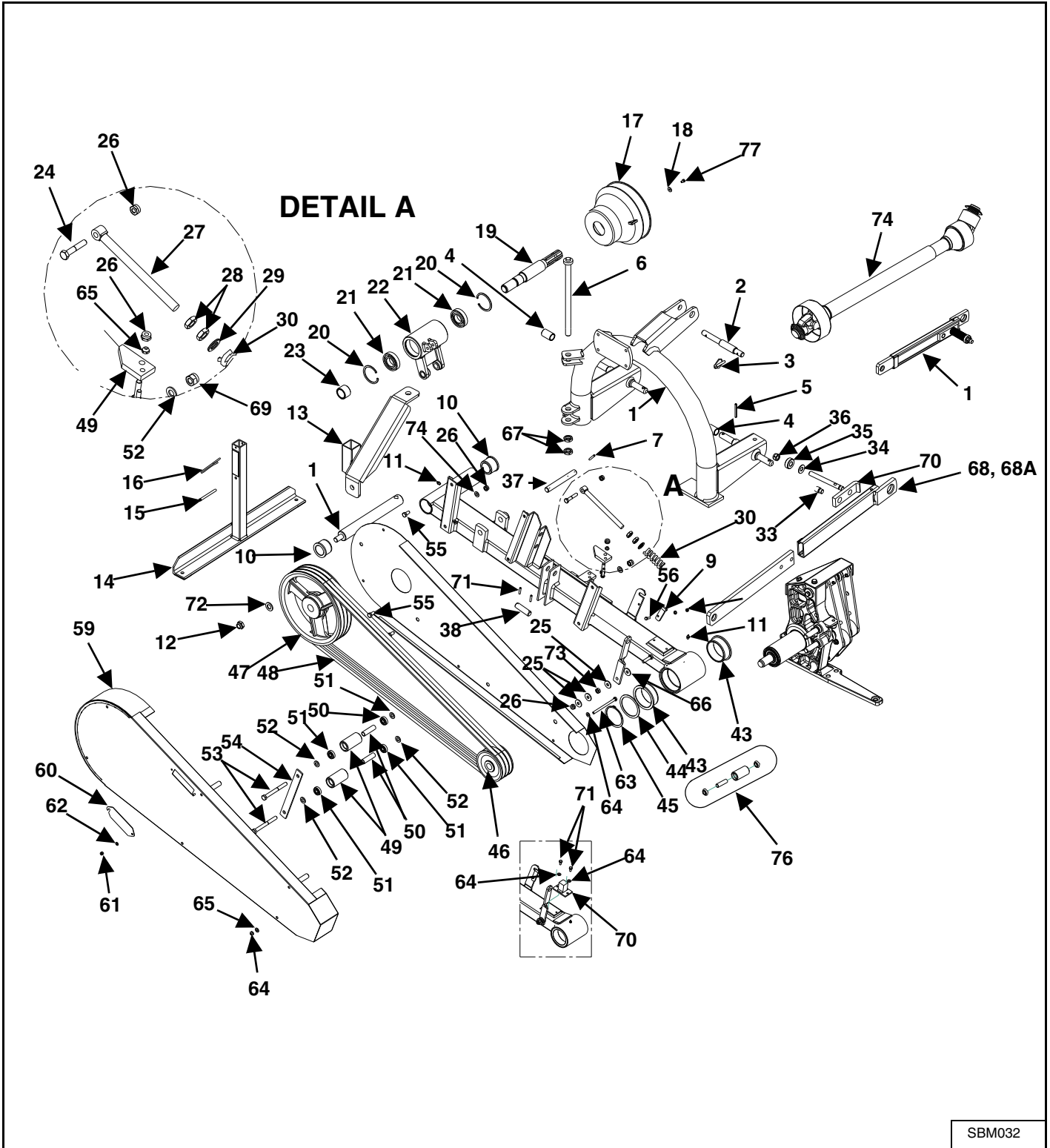
THREE POINT HITCH



SBM032

ITEM	PART NUMBER	DESCRIPTION	QTY
1	18031303	3° POINT HITCH ARCH	
2	12310115	3° POINT HITCH PIN	
3	12880614	CLIP PIN	
4	12920101	BUSCHING FOR PIN	
5	3080104	SPRING PIN Ø 6X60	
6	18031304	PIN Ø 20 L.335	
7	3080109	SPRING PIN Ø 6X30	
8	12880832	FRAME SHAFT Ø 40	
9	18032528	LOCKING PLATE	
10	9250002	BUSH 60X40	
11	3090101	GREASE ZERK M8X1	
12	3020212	SELF-LOCKING NUT. M18X1,5	
13	18031305	FOOT SUPPORT BRACKET	
14	18031306	FOOT	
15	3040117	SPLIT PIN Ø 8X80	
16	3040202	SPLIT PIN Ø 5X100	
17	9070108	PROTECTION GUARD	
18	3030160	WASHER M6	
19	12880826	SHAFT	
20	3120105	SNAP RING I 72	
21	12240145	BEARING 6207 2RS	
22	12880828	SHAFT SUPPORT	
23	12880808	SPACER Ø 35	
24	3011238	SCREW TE 10X60	
25	3030159	FLAT WASHER Ø 10	
26	3020328	SELF-LOCKING NUT. M 10	
27	18031307	BELT STRETCHER TIE ROD M 16	
28	3020313	NUT M 16 5589	
29	3030175	WASHER Ø 16	
30	11010620	SPRING Ø 34	
31	18031370	SIDING TIEROD	
32	12880891	FASTENING TIEROD	
33	12880892	PIN Ø 20 L. 30	
34	11011004	SPRING DISC	
35	12880893	WASHER Ø 40	
36	3020204	SELF-LOCKING NUT. M 16	
37	12880834	SUPPORT PIN Ø 20	
38	12880833	RELEASE PIN Ø 20	
39	18031309	RELEASE SUPPORT	
40	3011260	SCREW TE 10X35	

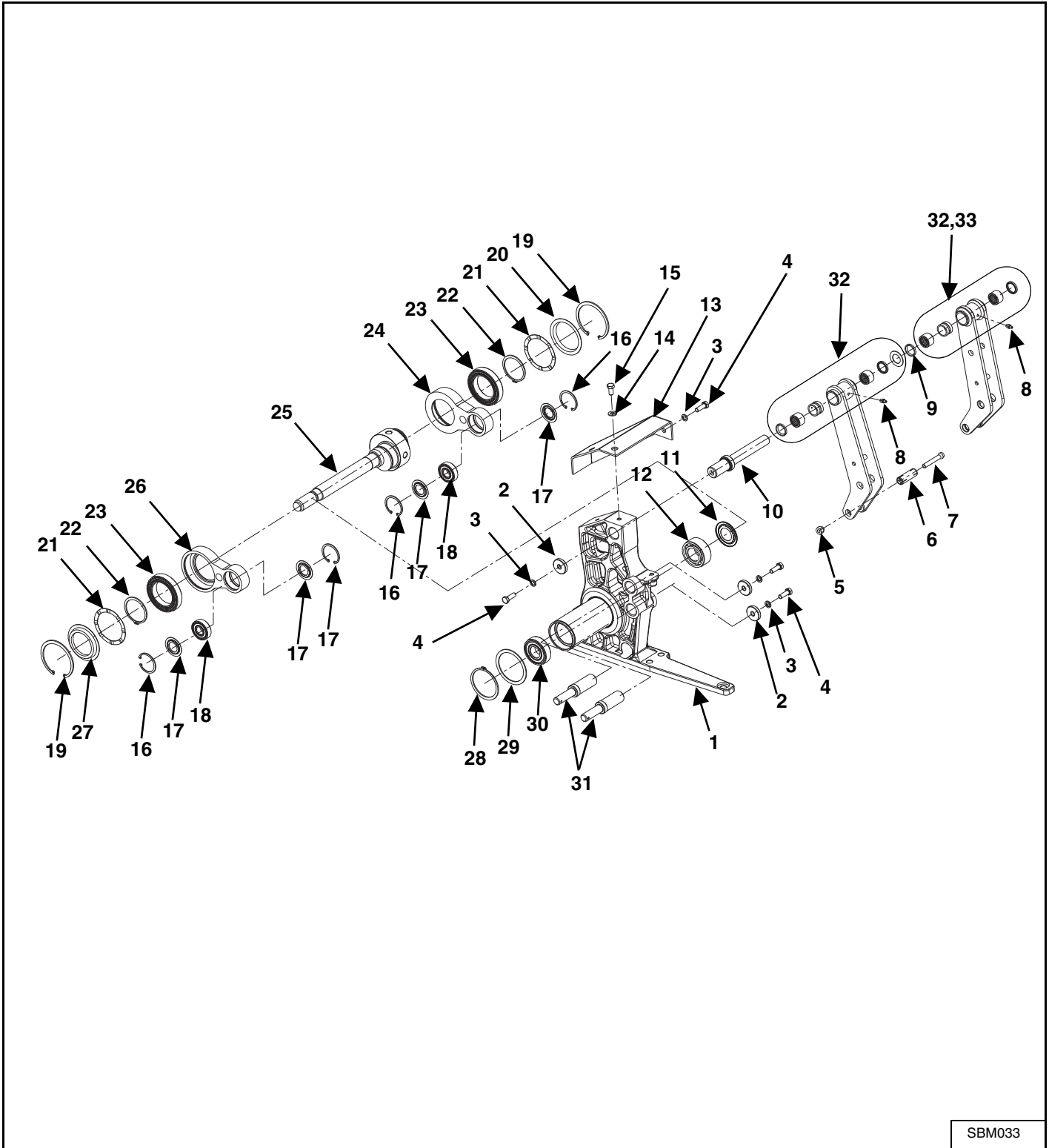
THREE POINT HITCH (CONT'D)



SBM032

ITEM	PART NUMBER	DESCRIPTION	QTY
41	3011252	SAFETY SCREW TE 8X35	
42	12880827	COMPLETE FRAME	
43	9250003	BUSH	
44	1011546	WASHER Ø 80	
45	3120133	SNAP RING E 80	
46	18031310	DRIVE PULLEY DP 120	
47	18031311	DRIVE PULLEY DP 300	
48	8020539	BELT SPB 2.580	
49	12880836	BELT GUIDE ROLLER	
50	18031312	ROLLER SPACER	
51	12240156	BEARING 6201	
52	3030162	WASHER Ø 12	
53	3011247	SCREW TE 12X120	
54	18031313	ROLLERS SUPPORT	
55	3011256	SCREW TE 10X20	
56	3011617	SCREW TE 6X20	
57	3020308	NUT M 6 5588	
58	18031314	INTERNAL PROTECTION GUARD	
59	18031315	EXTERNAL PROTECTION GUARD	
60	1011427	CONTROL COVER	
61	3020213	SELF-LOCKING NUT. M6	
62	3030158	WASHER Ø 6X18	
63	3010275	SCREW TE 8X120	
64	3030156	WASHER Ø 8	
65	3020209	SELF-LOCKING NUT. M8	
66	18031316	TIEROD BRACKET	
66A	18031383	TIEROD BRACKET BF 270	
67	3020356	NUT M20X1,5 5589	
68	18031399	SAFETY RELEASE BF 240/270	
68A	18031372	SAFETY RELEASE BF 165/210	
69	3020206	SELF-LOCKING NUT. M 12	
70	18031375	STOPBF 240/270	
71	3010250	SCREW TE 8X16	
72	3030610	WASHER Ø 34	
73	3020328	NUT M 10	
74	8020419	CARDAN SHAFT	
75	17310043	RELEASE COMPLETE SAFETY FOR BF 240/270	
75A	17310040	RELEASE COMPLETE SAFETY FOR BF 165/210	
76	18031902	COMPLETE GUIDE ROLLER	
77	3011290	SCREW TE M6X10	

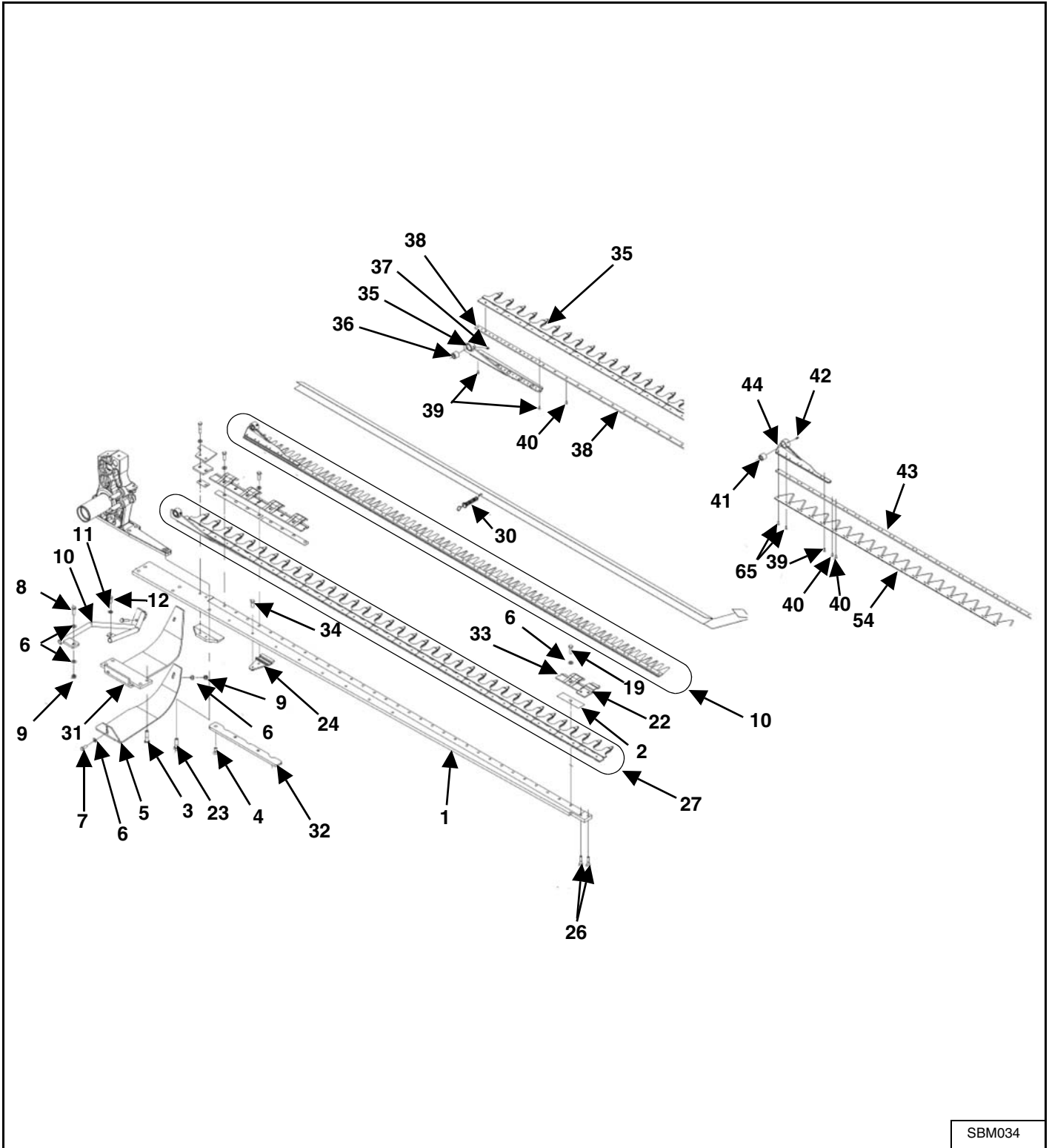
GEARBOX ASSEMBLY



SBM033

ITEM	PART NUMBER	DESCRIPTION	QTY
1	12880817	SUPPORT	
2	12880810	WASHER 11/40X8	
3	3030319	GROWER WASHER Ø 10	
4	3011206	SCREW TE M10X30	
5	18031322	CONIC NUT M 10	
6	18031321	BUSH Ø 20	
7	18031320	BUSH SCREW M 10X60	
8	3090101	GREASE ZERK M 8X1	
9	12280201	FITH WHEEL AS 25.42.1	
10	12880820	ARM ATTACHMENT PIN	
11	10011328	NILOS 3207 AV	
12	12240235	BEARING 3207 B 2 RSR	
13	18031318	COVER	
14	3030159	WASHER Ø 10	
15	3011256	SCREW M 10X20	
16	3120111	SEEGER RING I 52	
17	10011327	NILOS 21304 JV	
18	12240246	BEARING 6304 2 RSR	
19	3120132	SEEGER RING I 100	
20	18032434	PROTECTION RING	
21	18032433	WASHER PS 80/100X0,5	
22	3120134	SEEGER RING E 65	
23	12240158	BEARING 6013 2 RS	
24	18032914	EXTERNAL CONNECTOR	
25	18031319	SHAFT	
26	18032913	INTERNAL CONNECTOR	
27	18032523	PROTECTION RING	
28	3120133	SEEGER RING E 80	
29	18032915	RING	
30	12240141	BEARING 6306 2 RSR	
31	18032487	ATTACHMENT PIN	
32	12880818	COMPLETE ARM BF	
33	12881262	COMPLETE ARM BFS	

SICKLE BAR BLADE ASSEMBLY (19010529)

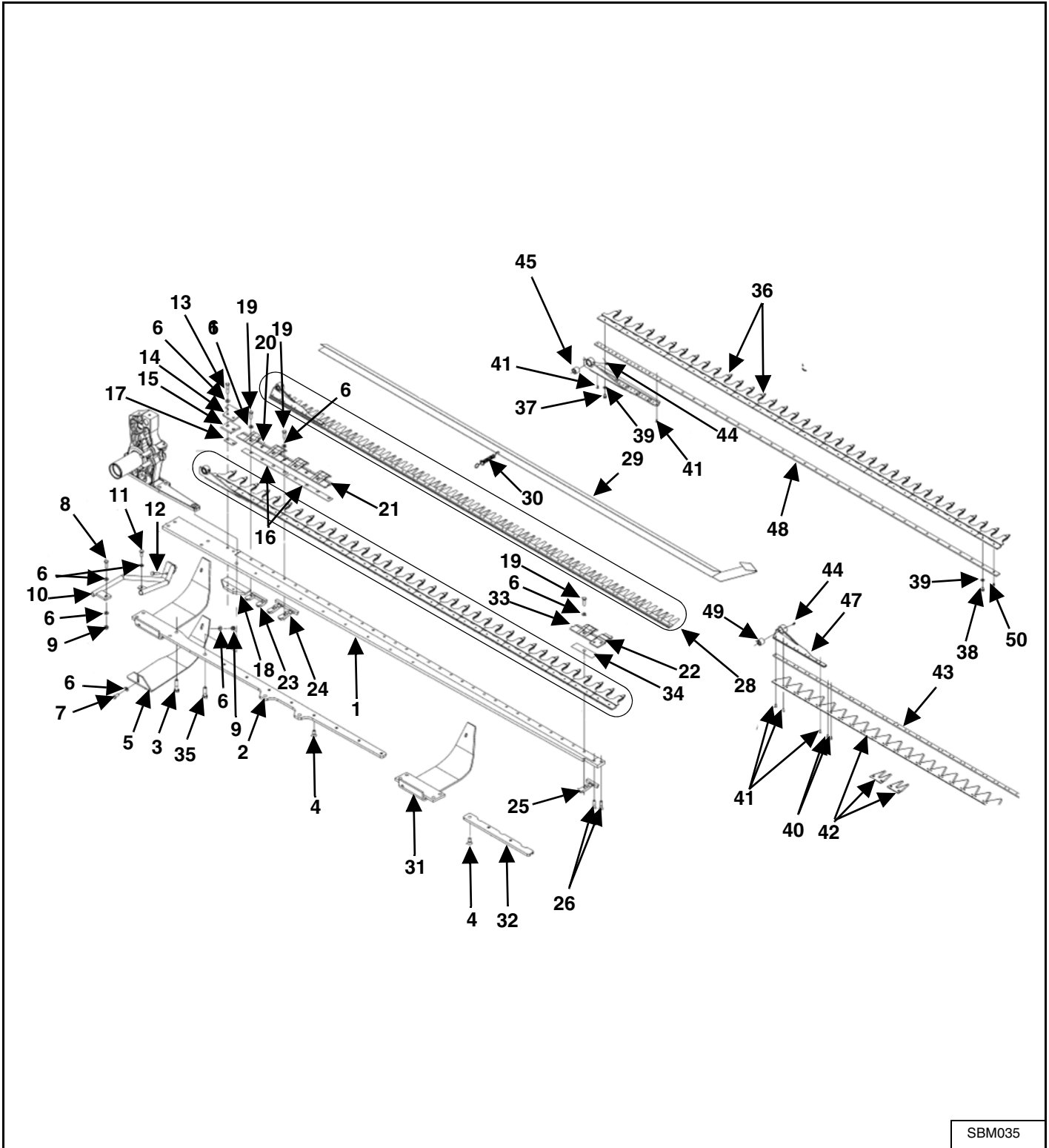


SBM034

ITEM	PART NUMBER	DESCRIPTION	QTY
1	18031385	BAR MOD. 165	
	18031386	BAR MOD. 180	
	18031387	BAR MOD. 210	
2	18031369	SHIM BF/BFS 165	
3	3011640	SCREW TE M 14X60 MB	
4	3010901	SCREW TPSEI M 12X30	
5	12880823	EXTERNAL SKID	
6	3030159	WASHER D10	
7	3011256	SCREW TE M 10X20	
8	3011260	SCREW TE M 10X35	
9	3020201	SELF LOCKING NUT M10	
10	18031323	SUPPORT PROTECTION	
11	3011211	SCREW TE M 10X25	
12	3011669	SCREW TE M 10X40	
13	3010214	SCREW TE M 10X50	
14	1011545	UPPER INTERNAL GUIDE	
15	18031326	SHIM	
16	1011561	SHIM 5/10	
17	1011562	SHIM 10/10	
18	18031327	LOWER INTERNAL GUIDE	
19	3010213	SCREW TE M 10X40	
20	18031328	UPPER BLADE GUIDE	
21	1803132	UPPER BLADE GUIDE	
22	18031331	EXTERNAL GUIDE	
23	3011641	SCREW TE M 14X50 MB BF 210	
24	3011679	SCREW TE M 14X40 MB BF 165-180	
25	18031330	LOWER BLADE GUIDE	
26	3010916	SCREW TPSEI M 10X45	
27	12880889	11 TEETH RACK BF 165	
	12880842	12 TEETH RACK BF 180	
	12880812	14 TEETH RACK BF 210	
28	12880887	COMPLETE BLADE 22 SECTION BF 165	
	12880844	COMPLETE BLADE 24 SECTION BF 180	
	12880845	COMPLETE BLADE 26 SECTION BF 210	
29	18031368	BLADE PROTECTION BF 165	
	18031333	BLADE PROTECTION BF 180	
	18031334	BLADE PROTECTION BF 210	
30	11010523	PROTECTION SPRING	

ITEM	PART NUMBER	DESCRIPTION	QTY
31	18031335	INTERNAL SKID	
32	18031390	BLADE REINFORCEMENT BF/BFS 210	
33	18031357	BLADE GUIDE BF 165	
34	3010281	SCREW TE M 10X30	
35	12880854	DOUBLE BLADE TOOTH	
35	12880848	BLADE TEETH HEAD	
36	12880855	BUSH	
37	3090103	GREASER ZERK	
38	12880888	TEETH BAR BF 165	
	12880851	TEETH BAR BF 180	
	12880852	TEETH BAR BF 210	
39	3220101	RIVET 6X19	
40	3220102	RIVET 6X12	
41	12880855	BUSH	
42	3090102	GREASER ZERK	
43	12880886	BLADE BAR BF/BFS 165	
	12880849	BLADE BAR BF/BFS 180	
	12880850	BLADE BAR BF/BFS 210	
44	12880853	BLADE SECTION	
65			

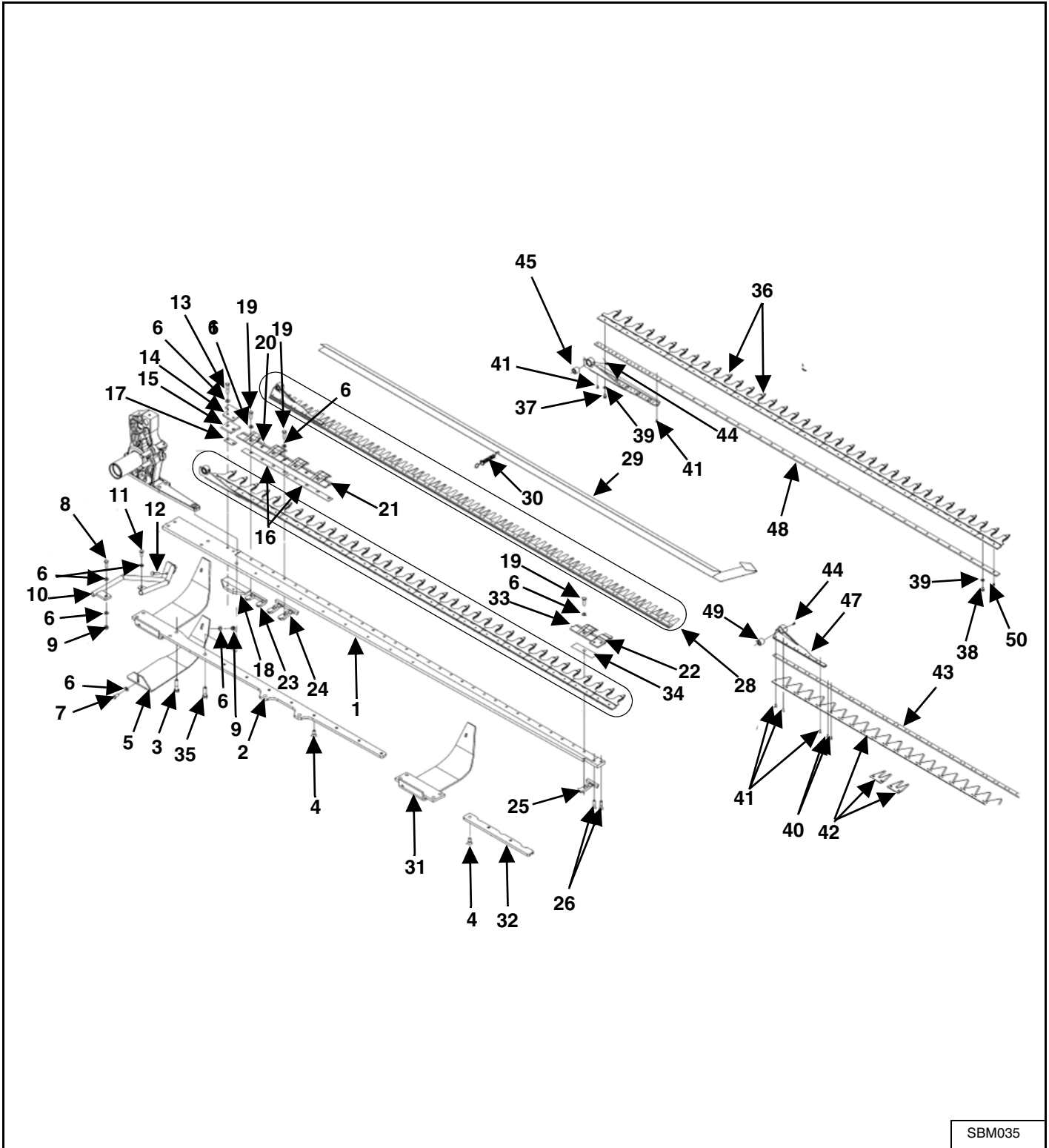
SICKLE BAR BLADE ASSEMBLY (19010530)



SBM035

ITEM	PART NUMBER	DESCRIPTION	QTY
1	18031992	BAR BFS 165	
	18031904	BAR BFS 180	
	18031905	BAR BFS 210	
	18031995	BAR BFS 240	
	18031993	BAR BFS 270	
2	18032521	INTERNAL SKID BFS 240	
	18032522	INTERNAL SKID BFS 270	
3	3011640	SCREW TE M 14X60 MB	
4	3010901	SCREW TPSEI M 12X30	
5	12880823	EXTERNAL SKID	
6	3030159	WASHER D10	
7	3011256	SCREW TE M 10X20	
8	3011260	SCREW TE M 10X35	
9	3020201	SELF LOCKING NUT M10	
10	18031323	SUPPORT PROTECTION	
11	3011211	SCREW TE M 10X25	
12	3011669	SCREW TE M 10X40	
13	3010214	SCREW TE M 10X50	
14	1011545	UPPER INTERNAL GUIDE	
15	18031326	SHIM	
16	1011561	SHIM 5/10	
17	1011562	SHIM 10/10	
18	18031327	LOWER INTERNAL GUIDE	
19	3011624	SCREW TE M 10X35	
20	18032442	UPPER BLADE GUIDE	

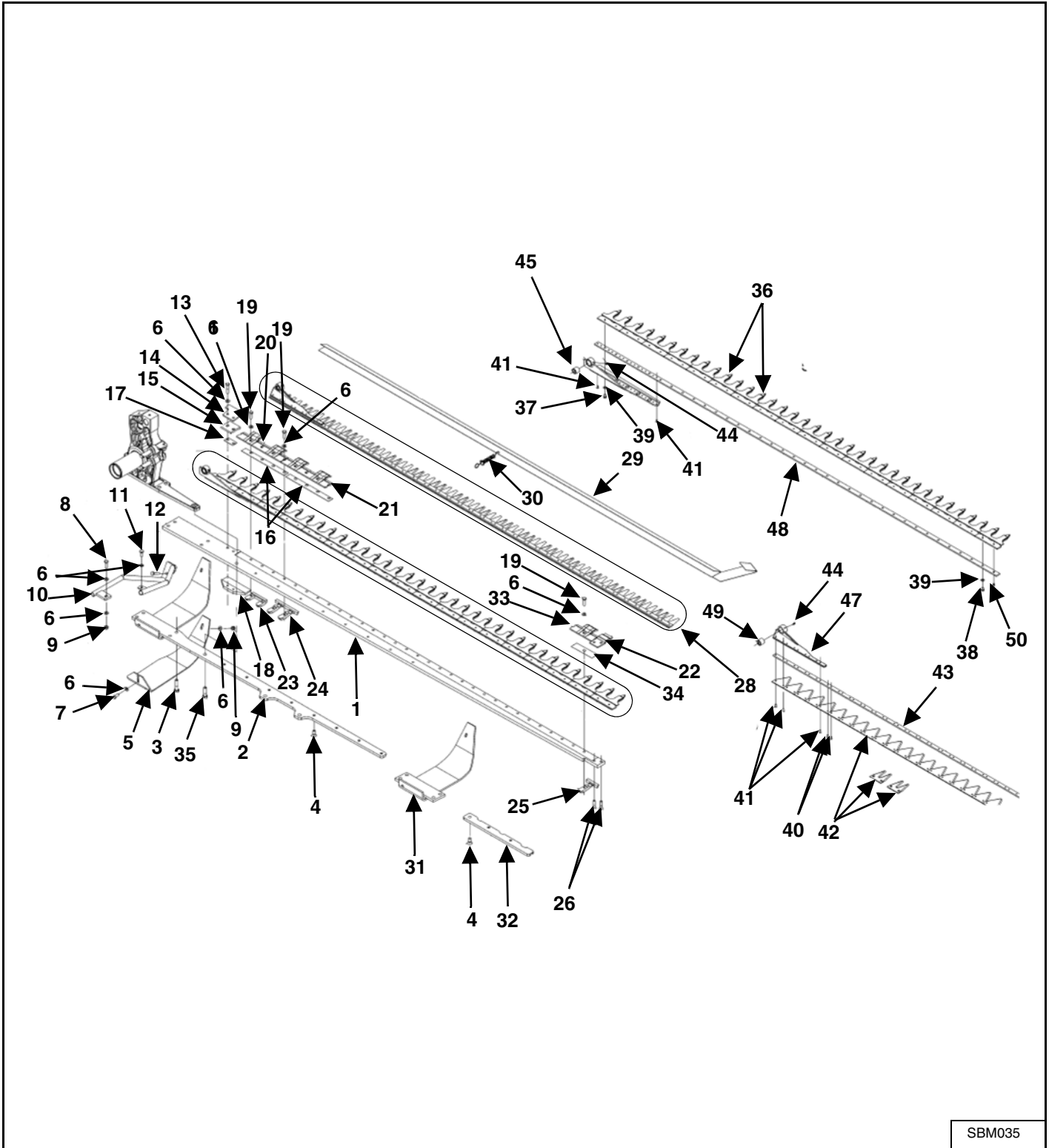
SICKLE BAR BLADE ASSEMBLY (19010530) (CONT'D)



SBM035

ITEM	PART NUMBER	DESCRIPTION	QTY
21	18032443	UPPER BLADE GUIDE	
22	18031331	EXTERNAL GUIDE	
23	18032448	LOWER BLADE GUIDE	
24	18032444	LOWER BLADE GUIDE	
25	18032445	LOWER BLADE GUIDE	
26	3010916	SCREW TPSEI M 10X45	
27	12881289	11 TEETH RACK BF 165	
	12881976	12 TEETH RACK BF 180	
	12881977	14 TEETH RACK BF 210	
	12881297	16 TEETH RACK BF 240	
	12881295	18 TEETH RACK BF 270	
28	12880887	COMPLETE BLADE 22 SECTIONS BF/BFS 165	
	12880844	COMPLETE BLADE 24 SECTIONS BF/BFS 180	
	12880845	COMPLETE BLADE 26 SECTIONS BF/BFS 210	
	12881346	COMPLETE BLADE 32 SECTIONS BF/BFS 240	
	12880884	COMPLETE BLADE 36 SECTIONS BF/BFS 270	
29	18031368	BLADE PROTECTION BF/BFS 165	
	18031333	BLADE PROTECTION BF/BFS 180	
	18031334	BLADE PROTECTION BF/BFS 210	
	18031380	BLADE PROTECTION BF/BFS 240	
	18031381	BLADE PROTECTION BF/BFS 270	
30	11010523	PROTECTION SPRING	
31	18031335	INTERNAL SKID	
32	18031390	BLADE REINFORCEMENT BF/BFS 210	
33	18032488	BLADE GUIDE BFS 165	
34	1013553	SHIM BFS 165	
35	3011679	SCREW TE M 14X40 MB BFS 165/180/210	
	3011641	SCREW TE M 14X50 MB BFS 210/240/270	
36	12881230	DOUBLE BLADE TOOTH	
37	12881230	DOUBLE BLADE TOOTH	
38	12881230	DOUBLE BLADE TOOTH	
39	3030188	WASHER 8/18X1.4	
40	3220102	RIVET 6X12	

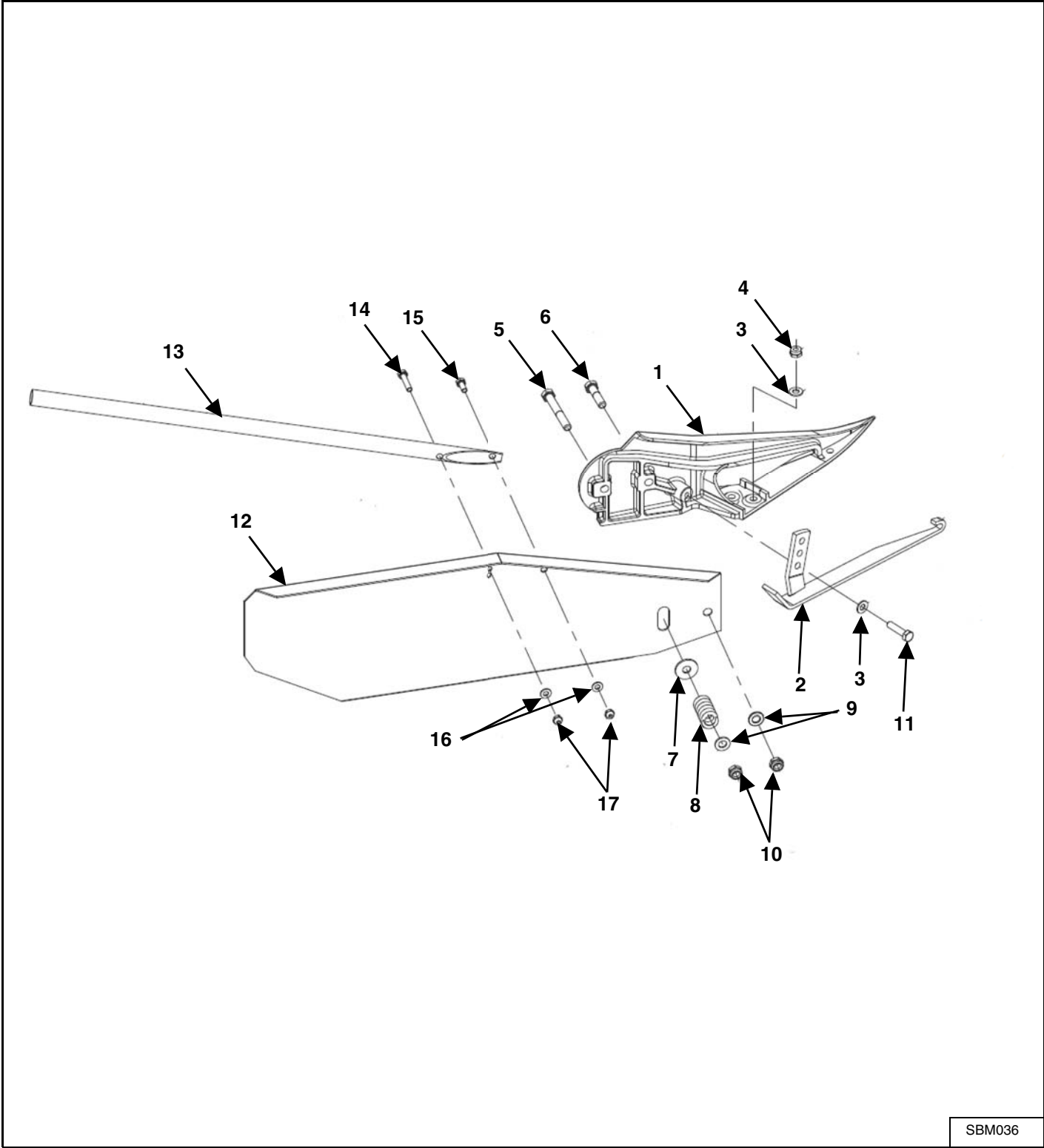
SICKLE BAR BLADE ASSEMBLY (19010530) (CONT'D)



SBM035

ITEM	PART NUMBER	DESCRIPTION	QTY
41	3220101	RIVET 6X19	
42	12880853	BLADE SECTION BF/BFS 165/180/210	
	12880858	BLADE SECTION BF/BFS 240/270	
43	12880886	TEETH BAR BFS 165	
	12880849	TEETH BAR BFS 180	
	12880850	TEETH BAR BFS 210	
	12880894	TEETH BAR BFS 240	
	12880895	TEETH BAR BFS 270	
44	3090102	GREASE ZERK	
45	12881261	BLADE TEETH HEAD BFS 165/180/210	
	12881355	BLADE TEETH HAND BFS 210/240/270	
46	12880855	BUSH	
47	12880847	BLADE SECTION HEAD	
48	12881358	TEETH BAR BFS 165	
	12881359	TEETH BAR BFS 180	
	12881360	TEETH BAR BFS 210	
	12881361	TEETH BAR BFS 240	
	12881362	TEETH BAR BFS 270	
49	12880855	BUSH	
50	3010803	SCREW TPSEI M 8X12	

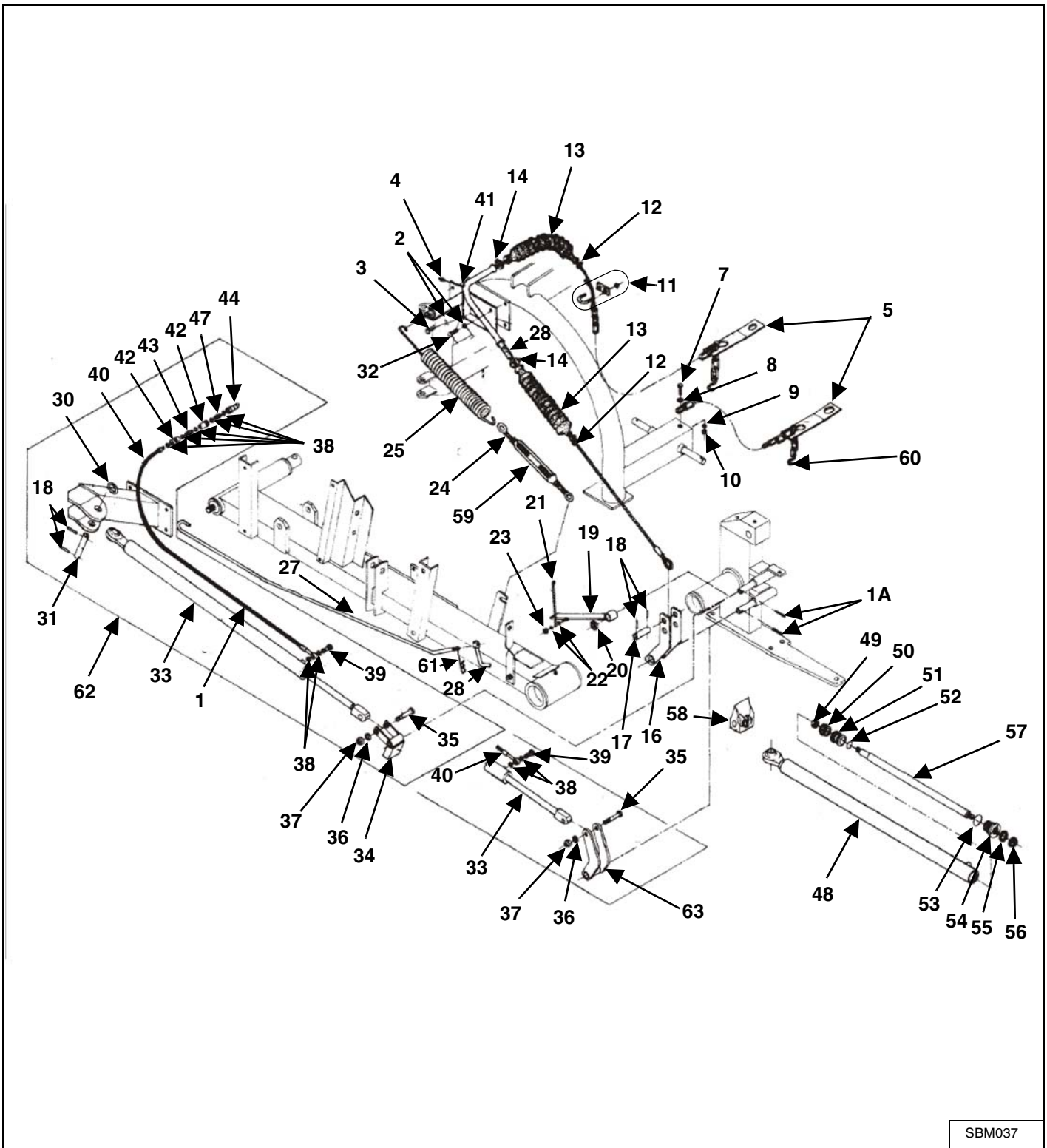
LATERAL DEFLECTOR ASSEMBLY



SBM036

ITEM	PART NUMBER	DESCRIPTION	QTY
1	18031374	EXTERNAL SHOW	
2	18031388	LATERAL SKID	
3	3030159	WASHER D10	
4	3020201	SELF LOCKING NUT M10	
5	3011276	SCREW TE M 12X90	
6	3011244	SCREW TE M 12X50	
7	3030179	WASHER 12X36	
8	11010618	SPRING	
9	3030162	WASHER D12	
10	3020202	SELF LOCKING NUT M12	
11	3010213	SCREW TE M 10X40	
12	18031325	LATERAL DEFLECTOR	
13	18031336	DEFLECTOR TUBE	
14	3010127	SCREW TTQST M 8X40	
15	3010126	SCREW TTQST M 8X20	
16	3030156	WASHER D8	
17	3020209	SELF LOCKING NUT M8	

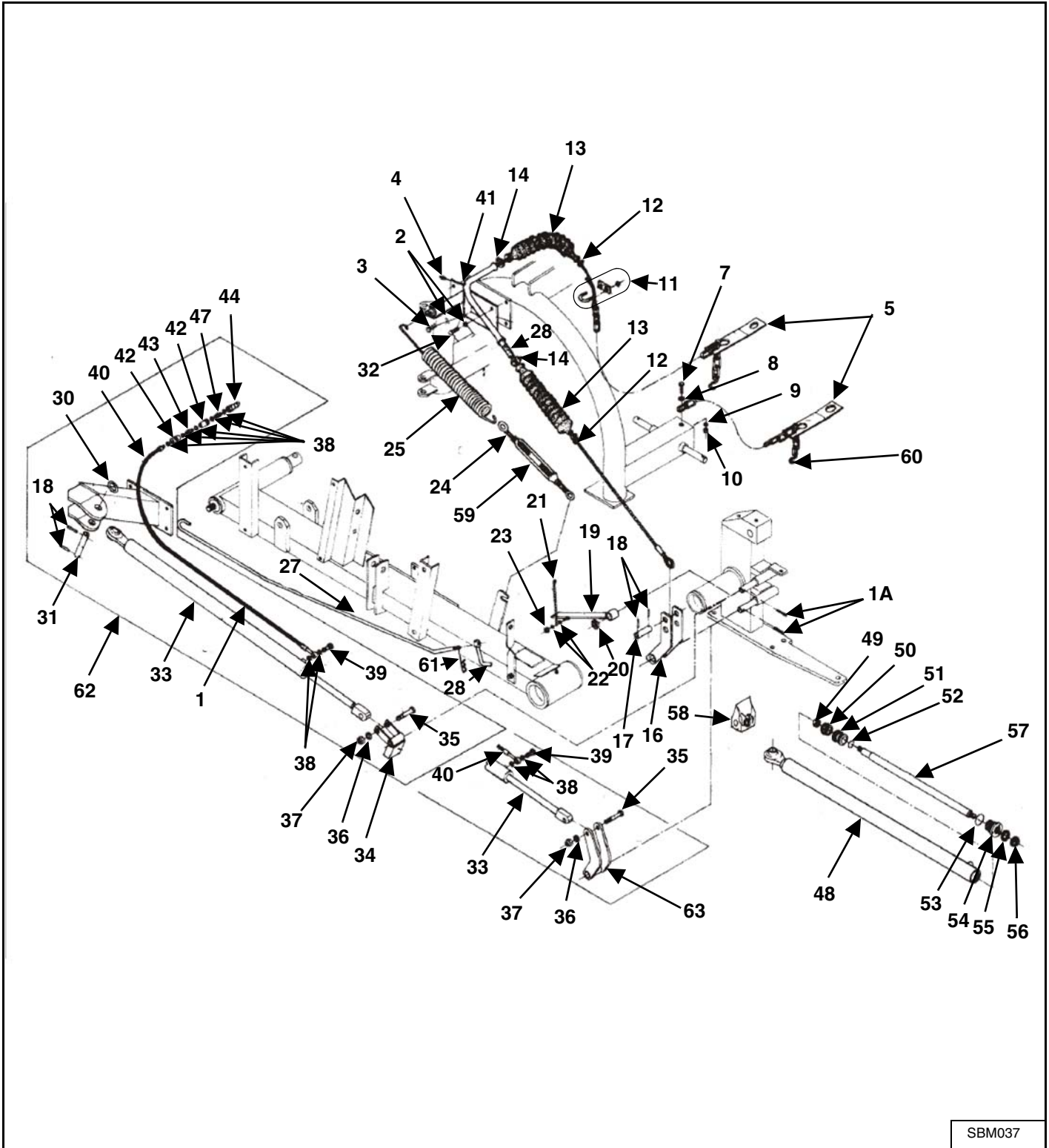
LIFT ASSEMBLY



SBM037

ITEM	PART NUMBER	DESCRIPTION	QTY
1	18031302	Mechanical Lift Att.	
2	3030159	Washer 10	
3	3011256	Screw TE 10x20	
4	3090102	Grease Zerk	
5	12880829	Hitch Plate	
6	3150107	Chain (26 Rings)	
7	3011208	Screw TE 12x40	
8	12880813	Washer 13	
9	3030162	Flat Washer 12	
10	3020202	SELF LOCKING NUT M12	
11	3170103	Holdfast 8	
12	4010711	Clamp 4.6-120	
13	9070105	Guard	
14	4010710	Clamp 25/40	
15	12570102	Flifting Cable	
16	18031337	Link BF 150-165-180-210	
17	12880833	Pin 20x68	
18	3080109	Spring Pin 6x30 1668	
19	18031338	Lift Frame Ledge	
20	12880843	SPACER 20.30.10	
21	18031343	Chain	
22	3030160	Washer 6x18	
23	3020213	Self Locking Nut 6MA	
24	12880839	Turnbuckle	
25	11010522	Spring	
26	18031996	Nut with Handle	
27	18031340	Tierod	
	12880885	Tierod BFS 270	
28	11010619	Cable Spring	
29			
30	18031341	HYDRAULIC CYLINDER ATT.	

LIFT ASSEMBLY (CONT'D)



SBM037

ITEM	PART NUMBER	DESCRIPTION	QTY
31	12880815	Pin 20 LG. 91	
32	3011211	Screw TE 10x25	
33	12770801	Complete Hydraulic Cylinder	
34	18031342	Fork Hinge	
35	3011642	Screw TE 14x65	
36	3030161	Washer	
37	3020203	Self Locking Nut 14 MA	
38	3030406	Copper Washer	
39	3011643	Drilled Screw 1/4"	
40	12760602	HYDRAULIC HOSE 1/4"	
41	3011672	Screw TE 6x16	
42	4020403	Flow Regulation Valve	
43	4010212	Nipple 1/4"	
44	4011804	Quick Coupler	
45	12760601	Complete Hydraulic Hose	
46			
47	4010211	Nipple 1/4" and 1/2"	
48	12400201	Cylinder 40x25	
49	3020215	SELF LOCKING NUT M14	
50			
51	12410201	Head	
52			
53			
54	12420201	Ring Nut	
55			
56			
57	12420201	Shaft 25	
58	10010663	Complete Seal Kit	
59	3020332	Hex Nut 14MA	
60	3170105	S HOOK	
61	3040201	Split Pin 3x60	
62	18031301	Hydraulic Lift	
63	18031382	LINK BFS 240/270	

Farm King



SPECIFICATIONS

SPECIFICATIONS83
 Dimensions83
 Performance83

HARDWARE TORQUE VALUES84
 Metric Chart84
 Imperial Chart85

HYDRAULIC CONNECTION SPECIFICATIONS86
 O-Ring Fitting (Straight Thread)86
 O-ring Face Seal Connection86
 Flare Fitting86
 Port Seal (O-ring Boss) Fitting86
 Tubelines And Hoses86

Farm King



SPECIFICATIONS

Dimensions

DESCRIPTION	RSB6	RSB7	RSB9
Working Width	6 ft. (180 cm)	7 ft. (213 cm)	9 ft. (274 cm)

Performance

DESCRIPTION	RSB6	RSB7	RSB9
Weight	583 lb. (264 kg)	634 lb. (287 kg)	711 lb. (322 kg)
Lift Type	Manual / Hydraulic	Manual / Hydraulic	Hydraulic
Working Speed	9 mph (15 kph)	9 mph (15 kph)	9 mph (15 kph)
3-Point Hitch	Cat. I / II	Cat. I / II	Cat. I / II
Tractor HP	25 hp (19 kW)	25 hp (19 kW)	40 hp (30 kW)

HARDWARE TORQUE VALUES

Metric Chart

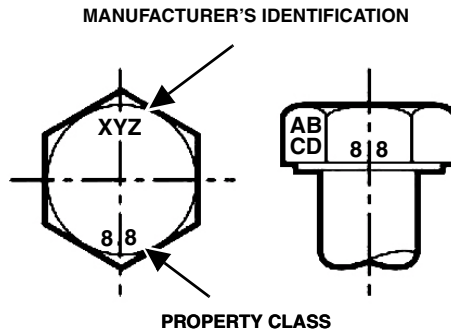
NOTE: Do not use the values listed in the charts if a different torque value or tightening procedure is specified in this manual for a specific application. Torque values listed are for general use only.

Use the following charts to determine the correct torque when checking, adjusting or replacing hardware. **Torque values are listed in newton-meters (inch* or foot pounds) for normal assembly applications.**

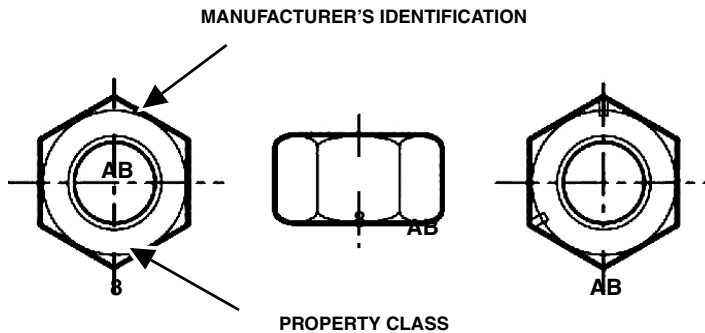
Nominal Size	Class 5.8		Class 8.8		Class 10.9		Lock nuts
	Unplated	Plated W / ZnCr	Unplated	Plated W / ZnCr	Unplated	Plated W / ZnCr	CL.8 w/ CL. 8.8 Bolt
M4	1.7 (15*)	2.2 (19*)	2.6 (23*)	3.4 (30*)	3.7 (33*)	4.8 (42*)	1.8 (16*)
M6	5.8 (51*)	7.6 (67*)	8.9 (79*)	12 (102*)	13 (115*)	17 (150*)	6.3 (56*)
M8	14 (124*)	18 (159*)	22 (195*)	28 (248*)	31 (274*)	40 (354*)	15 (133*)
M10	28 (21)	36 (27)	43 (32)	56 (41)	61 (45)	79 (58)	30 (22)
M12	49 (36)	63 (46)	75 (55)	97 (72)	107 (79)	138 (102)	53 (39)
M16	121 (89)	158 (117)	186 (137)	240 (177)	266 (196)	344 (254)	131 (97)
M20	237 (175)	307 (226)	375 (277)	485 (358)	519 (383)	671 (495)	265 (195)
M24	411 (303)	531 (392)	648 (478)	839 (619)	897 (662)	1160 (855)	458 (338)

NOTE: Torque values shown with * are inch pounds.

Identification of Hex Cap Screws and Carriage Bolts - Classes 5 and up



Identification of Hex Nuts and Lock Nuts - Classes 5 and up



HARDWARE TORQUE VALUES (CONT'D)

Imperial Chart

NOTE: Do not use the values listed in the charts if a different torque value or tightening procedure is specified in this manual for a specific application. Torque values listed are for general use only.

Use the following charts to determine the correct torque when checking, adjusting or replacing hardware. **Torque values are listed in newton-meters (inch* or foot pounds) for normal assembly applications.**

Nominal Size	SAE Grade 5		SAE Grade 8		LOCK NUTS			
	Unplated or Plated Silver	Plated W / ZnCr Gold	Unplated or Plated Silver	Plated W / ZnCr Gold	Unplated or Plated Silver	Plated W / ZnCr Gold	Grade W / Gr. 5 Bolt	Grade W / Gr. 8 Bolt
1/4	6.2 (55*)	8.1 (72*)	9.7 (86*)	12.6 (112*)	13.6 (121*)	17.7 (157*)	6.9 (61*)	9.8 (86*)
5/16	13 (115*)	17 (149*)	20 (178*)	26 (229*)	28 (250*)	37 (324*)	14 (125*)	20 (176*)
3/8	23 (17)	30 (22)	35 (26)	46 (34)	50 (37)	65 (48)	26 (19)	35 (26)
7/16	37 (27)	47 (35)	57 (42)	73 (54)	80 (59)	104 (77)	41 (30)	57 (42)
1/2	57 (42)	73 (54)	87 (64)	113 (83)	123 (91)	159 (117)	61 (45)	88 (64)
9/16	81 (60)	104 (77)	125 (92)	163 (120)	176 (130)	229 (169)	88 (65)	125 (92)
5/8	112 (83)	145 (107)	174 (128)	224 (165)	244 (180)	316 (233)	122 (90)	172 (127)
3/4	198 (146)	256 (189)	306 (226)	397 (293)	432 (319)	560 (413)	217 (160)	306 (226)
7/8	193 (142)	248 (183)	495 (365)	641 (473)	698 (515)	904 (667)	350 (258)	494 (364)
1	289 (213)	373 (275)	742 (547)	960 (708)	1048 (773)	1356 (1000)	523 (386)	739 (545)

NOTE: Torque values shown with * are inch pounds.

Identification of Hex Cap Screws and Carriage Bolts



SAE GRADE
2 BOLTS



SAE GRADE
5 BOLTS



SAE GRADE
8 BOLTS



SAE GRADE
2 NUTS

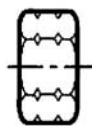


SAE GRADE
5 NUTS



SAE GRADE
8 NUTS

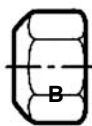
Identification of Hex Nuts and Lock Nuts



Grade A - No Notches

Grade B - One Circumferential Notch

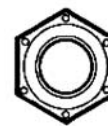
Grade C - Two Circumferential Notches



Grade A - No Mark

Grade B - Letter B

Grade C - Letter C



Grade A - No Marks

Grade B - Three Marks

Grade C - Six Marks

(Marks not always located at corners)

HYDRAULIC CONNECTION SPECIFICATIONS

O-Ring Fitting (Straight Thread)

Lubricate the O-ring before installing the fitting. Loosen the jam nut and install the fitting. Tighten the jam nut until the washer is tight against the surface.

O-ring Face Seal Connection

Figure 40

O-ring Face Seal Tightening Torque		
Tubeline O.D.	Thread Size	N•m (ft-lb)
1/4"	9/16" - 18	13 (18)
3/8"	11/16" - 16	22 (30)
1/2"	13/16" - 16	40 (54)
5/8"	1" - 14	60 (81)
3/4"	1-3/16" - 12	84 (114)
7/8"	1-3/16" - 12	98 (133)
1"	1-7/16" - 12	118 (160)
1-1/4"	1-11/16" - 12	154 (209)
1-1/2"	2" - 12	163 (221)

When the fitting is tightened, you can feel when the fitting is tight to eliminate leakage caused by under or over torqued fittings. Use petroleum jelly to hold the O-ring in position until the fittings are assembled.

Flare Fitting

Figure 41

Flare Fitting Tightening Torque		
Tubeline O.D.	Thread Size	N•m (ft-lb)
1/4"	7/16" - 20	13 (18)
5/16"	1/2" - 20	17 (23)
3/8"	9/16" - 18	22 (30)
1/2"	3/4" - 16	40 (54)
5/8"	7/8" - 14	60 (81)
3/4"	1-1/16" - 12	84 (114)
7/8"	1-3/16" - 12	98 (133)
1"	1-5/16" - 12	118 (160)
1-1/4"	1-5/8" - 12	154 (209)
1-1/2"	1-7/8" - 12	163 (221)
2"	2-1/2" - 12	252 (342)

Tighten until the nut makes contact with the seat. Use the chart [Figure 41] to find the correct tightness needed.

NOTE: If the fitting leaks, disconnect and inspect the seat area for damage.

Port Seal (O-ring Boss) Fitting

Figure 42

Port Seal And O-ring Boss Tightening Torque		
Tubeline O.D.	Thread Size	N•m (ft-lb)
1/4"	7/16" - 20	13 (18)
3/8"	9/16" - 18	22 (30)
1/2"	3/4" - 16	40 (54)
5/8"	7/8" - 14	60 (81)
3/4"	1-1/16" - 12	84 (114)
7/8"	1-3/16" - 12	98 (133)
1"	1-5/16" - 12	118 (160)
1-1/8"	1-7/16" - 12	154 (209)
1-1/4"	1-5/8" - 12	163 (221)

NOTE: Port seal and nut, washer and O-ring (O-ring Boss) fittings use the same tightening torque valve chart.

If a torque wrench cannot be used, use the following method.

Tighten the nut until it just makes metal to metal contact, you can feel the resistance.

Tighten the nut with a wrench no more than one hex flat maximum.

Do not over tighten the port seal fitting.

NOTE: If a torque wrench cannot be used, use the hex flat tightening method as an approximate guideline.

NOTE: Port seal fittings are not recommended in all applications. Use O-ring boss fittings in these applications.

Tubelines And Hoses

Replace any tubelines that are bent or flattened. They will restrict flow, which will slow hydraulic action and cause heat.

Replace hoses which show signs of wear, damage or weather cracked rubber.

Always use two wrenches when loosening and tightening hose or tubeline fittings.

WARRANTY

WARRANTY89

Farm King



WARRANTY

Farm King

Limited Warranty

BASE LIMITED WARRANTY

Farm King provides this warranty only to original retail purchasers of its products. Farm King warrants to such purchasers that all Farm King manufactured parts and components used and serviced as provided for in the Operator's Manual shall be free from defects in materials and workmanship for a period following delivery to the original retail purchaser of one (1) year. This limited warranty applies only to those parts and components manufactured by Farm King. Parts and components manufactured by others are subject to their manufacturer's warranties, if any.

Farm King will fulfill this limited warranty by, at its option, repairing or replacing any covered part that is defective or is the result of improper workmanship, provided that the part is returned to Farm King within thirty (30) days of the date that such defect or improper workmanship is, or should have been, discovered. Parts must be returned through the selling representative and the buyer must prepay transportation charges.

Farm King will not be responsible for repairs or replacements that are necessitated, in whole or part, by the use of parts not manufactured by or obtained from Farm King. Under no circumstances are component parts warranted against normal wear and tear. There is no warranty on product pump seals, product pump bearings, rubber product hoses, pressure gauges, or other components that require replacement as part of normal maintenance.

REPAIR PARTS LIMITED WARRANTY

Farm King warrants genuine Farm King replacement parts purchased after the expiration of the Farm King Limited Warranty, and used and serviced as provided for in the Operator's Manual, to be free from defects in materials or workmanship for a period of thirty (30) days from the invoice date for the parts. Farm King will fulfill this limited warranty by, at its option, repairing or replacing any covered part that is defective or is the result of improper workmanship, provided that the part is returned to Farm King within thirty (30) days of the date that such defect or improper workmanship is, or should have been, discovered. Such parts must be shipped to the Farm King factory at the purchaser's expense.

WHAT IS NOT COVERED

Under no circumstances does this limited warranty cover any components or parts that have been subject to the following: negligence; alteration or modification not approved by Farm King; misuse; improper storage; lack of reasonable and proper maintenance, service, or repair; normal wear; damage from failure to follow operating instructions; accident; and/or repairs that have been made with parts other than those manufactured, supplied, and / or authorized by Farm King.

AUTHORIZED DEALER AND LABOR COSTS

Repairs eligible for labor under this limited warranty must be made by Farm King or an authorized Farm King dealer. Farm King retains the exclusive discretion to determine whether it will pay labor costs for warranty repairs or replacements, and the amount of such costs that it will pay and the time in which the repairs will be made. If Farm King determines that it will pay labor costs for warranty work, it will do so by issuing a credit to the dealer's or distributor's account. Farm King will not approve or pay invoices sent for repairs that Farm King has not previously approved. Warranty service does not extend the original term of this limited warranty.

Farm King

Limited Warranty

WARRANTY REQUIREMENTS

To be covered by warranty, each new product must be registered with Farm King within thirty (30) days of delivery to original retail purchaser. If the customer decides to purchase replacement components before the warranty disposition of such components is determined, Farm King will bill the customer for such components and then credit the replacement invoice for those components later determined to be covered by this limited warranty. Any such replacement components that are determined not be covered by this limited warranty will be subject to the terms of the invoice and shall be paid for by the purchaser.

EXCLUSIVE EFFECT OF WARRANTY AND LIMITATION OF LIABILITY

TO THE EXTENT PERMITTED BY LAW, FARM KING DISCLAIMS ANY WARRANTIES, REPRESENTATIONS, OR PROMISES, EXPRESS OR IMPLIED, AS TO THE QUALITY, PERFORMANCE, OR FREEDOM FROM DEFECT OF THE COMPONENTS AND PARTS COVERED BY THIS WARRANTY AND NOT SPECIFICALLY PROVIDED FOR HEREIN.

TO THE EXTENT PERMITTED BY LAW, FARM KING DISCLAIMS ANY IMPLIED WARRANTIES OF MERCHANTABILITY AND FITNESS FOR A PARTICULAR PURPOSE ON ITS PRODUCTS COVERED HEREIN, AND DISCLAIMS ANY RELIANCE BY THE PURCHASER ON FARM KING'S SKILL OR JUDGMENT TO SELECT OR FURNISH GOODS FOR ANY PARTICULAR PURPOSE. THE PURCHASER'S ONLY AND EXCLUSIVE REMEDIES IN CONNECTION WITH THE BREACH OR PERFORMANCE OF ANY WARRANTY ON FARM KING'S PRODUCTS ARE THOSE SET FORTH HEREIN. IN NO EVENT SHALL FARM KING BE LIABLE FOR INCIDENTAL OR CONSEQUENTIAL DAMAGES (INCLUDING, BY WAY OF EXAMPLE ONLY AND NOT LIMITATION, LOSS OF CROPS, LOSS OF PROFITS OR REVENUE, OTHER COMMERCIAL LOSSES, INCONVENIENCE, OR COST OF REPLACEMENT OF RENTAL EQUIPMENT). IN NO EVENT SHALL FARM KING'S CONTRACT OR WARRANTY LIABILITY EXCEED THE PURCHASE PRICE OF THE PRODUCT. (Note that some states do not allow limitations on how long an implied warranty lasts or the exclusion or limitation of incidental or consequential damages, so the above limitations and exclusion may not apply to you.) This warranty gives you specific legal rights and you may also have other rights, which vary from state to state.

Farm King neither assumes nor authorizes any person or entity, including its selling representatives, to assume any other obligations or liability in connections with the sale of covered equipment, or to make any other warranties, representations, or promises, express or implied, as to the quality, performance, or freedom from defect of the components and parts covered herein. No one is authorized to alter, modify, or enlarge this limited warranty, or its exclusions, limitations and reservations.

Corrections of defects and improper workmanship in the manner, and for the applicable time periods, provided for herein shall constitute fulfillment of all responsibilities of Farm King to the purchaser, and Farm King shall not be liable in negligence, contract, or on any other basis with respect to the subject equipment.

This limited warranty is subject to any existing conditions of supply which may directly affect Farm King's ability to obtain materials or manufacturer replacement parts.

Buhler Industries Inc. reserves the right to make improvements in design or changes in specifications to its products at anytime, without incurring any obligation to owners of units previously sold.

ALPHABETICAL INDEX

CLEANING AND MAINTENANCE	50
EQUIPMENT DECALS AND SIGNS	18
EQUIPMENT IDENTIFICATION	10
FIRE PREVENTION	15
GEARBOX ASSEMBLY	62
GENERAL ASSEMBLY INFORMATION . . .	23
GENERAL INFORMATION	29
GENERAL INFORMATION	57
HARDWARE TORQUE VALUES	84
HYDRAULIC CONNECTION SPECIFICATIONS	86
INITIAL SET-UP	32
LATERAL DEFLECTOR ASSEMBLY	74
LIFT ASSEMBLY	76
OWNER'S INFORMATION	9
SAFETY INSTRUCTIONS	13
SAFETY SIGN-OFF FORM	20
SAFETY SIGNS (DECALS)	17
SERVICE SCHEDULE	49
SICKLE BAR BLADE ASSEMBLY (19010529) 64	
SICKLE BAR BLADE ASSEMBLY (19010530) 68	
SPECIFICATIONS	83
STORAGE AND RETURN TO SERVICE . . .	53
THREE POINT HITCH	58
TRANSPORTING	42
WARRANTY REGISTRATION FORM	5
WARRANTY	89

Farm King



www.farm-king.com

Farm King

301 Mountain Street South
Morden, Manitoba Canada R6M 1X7
Toll Free: 1-888-FK-80001
E-mail: info@buhler.com
www.farm-king.com

Equipment shown is subject to change without notice.
©2016 Buhler Trading Inc. Printed in Canada TSX:BU

bühler | a division of Buhler Industries Inc.