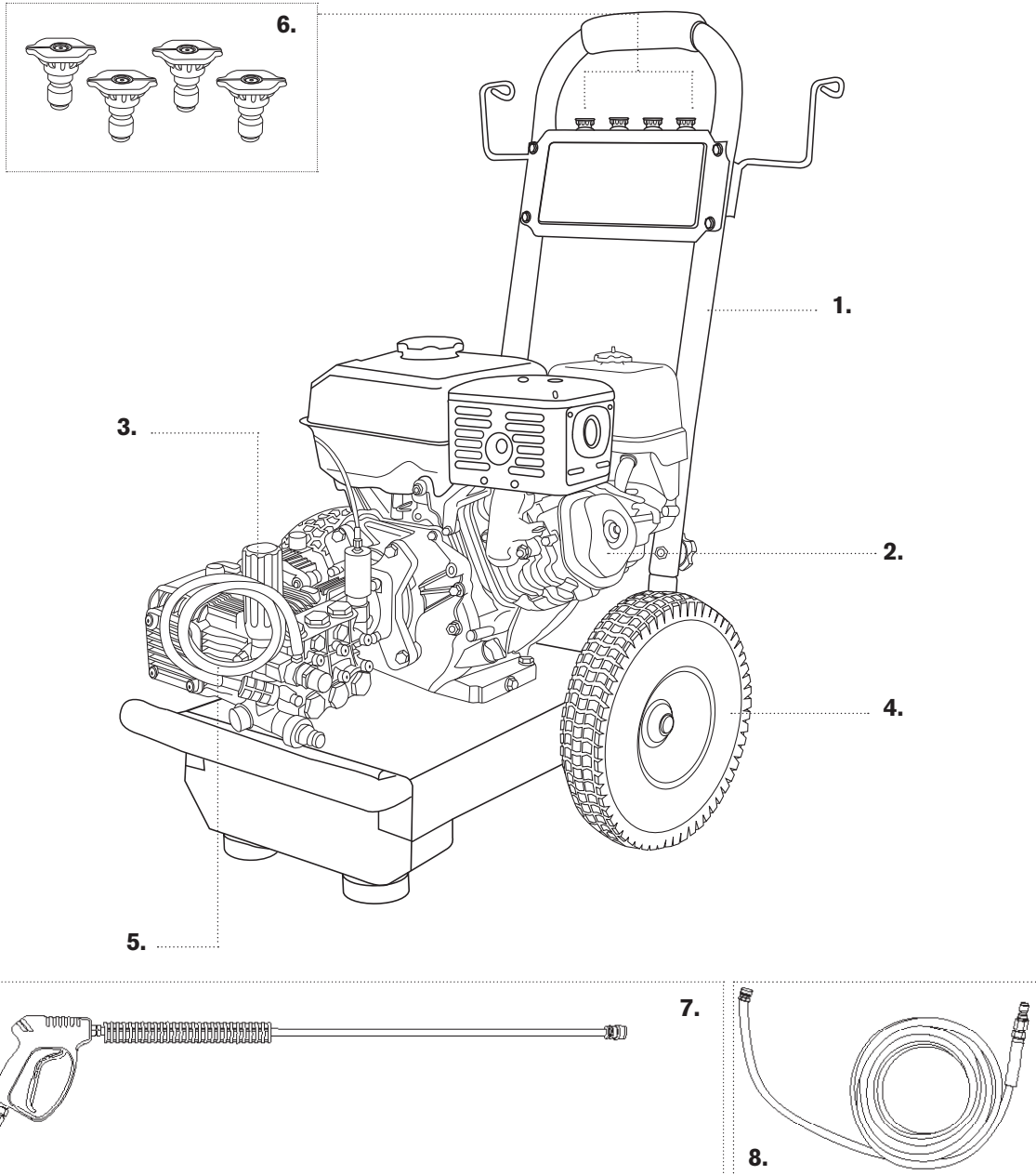




PRESSURE WASHER BREAKDOWN

B4015RA

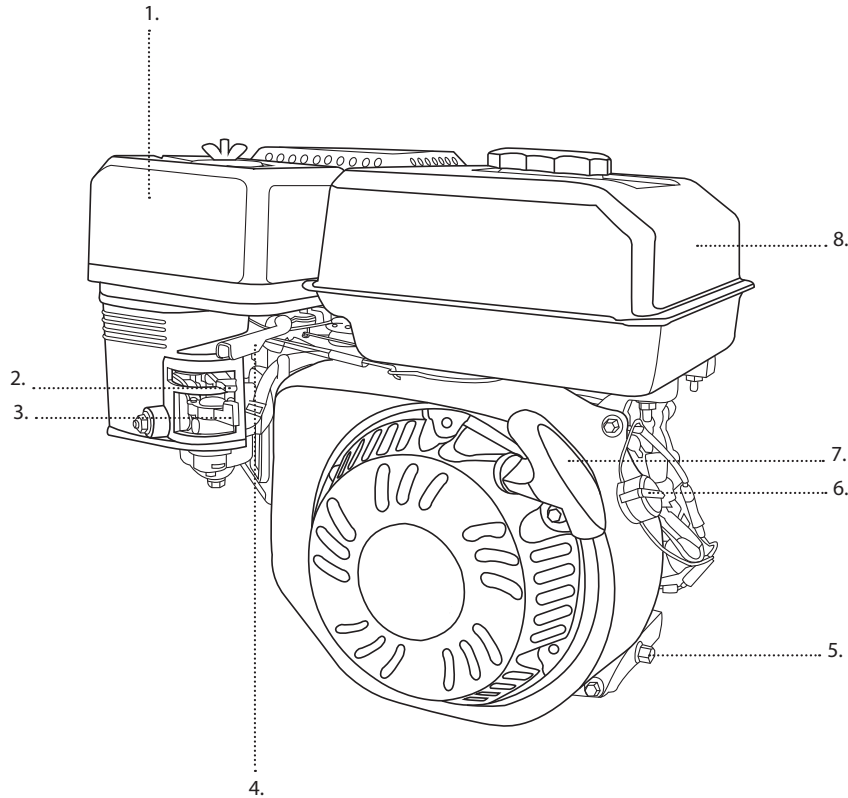


REF #	DESCRIPTION	PART #
1	Frame	85.600.125
2	Engine - 420cc Powerease	85.570.150
3	Pump - RSV4G40EZ	85.129.037B
4	Wheel	85.660.054BFP
5	Soap Hose	85.400.005
6	Nozzle Set	85.210.035
7	Gun & Wand	85.205.026
8	Hose 50' x 3/8"	85.238.153



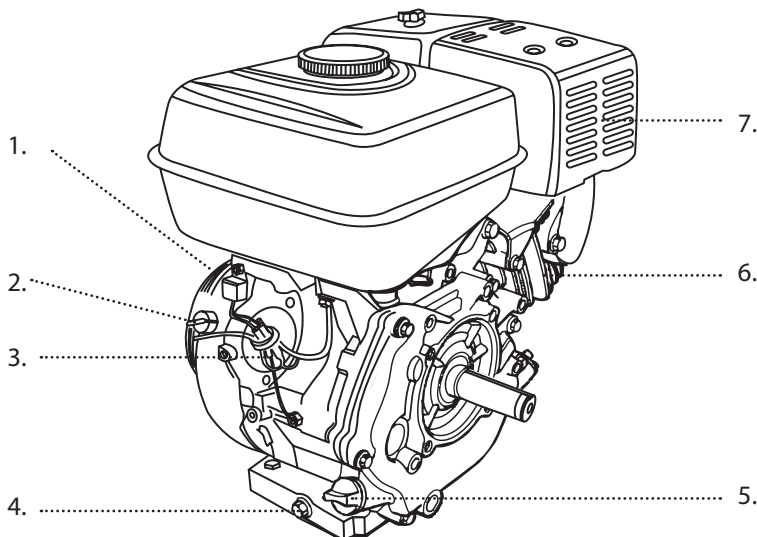
PRESSURE WASHER BREAKDOWN

B4015RA



FRONT

1. Air Filter
2. Choke
3. Fuel Valve
4. Throttle Lever
5. Oil Drain Plug
6. On/Off Switch
7. Recoil Starter Handle
8. Fuel Tank



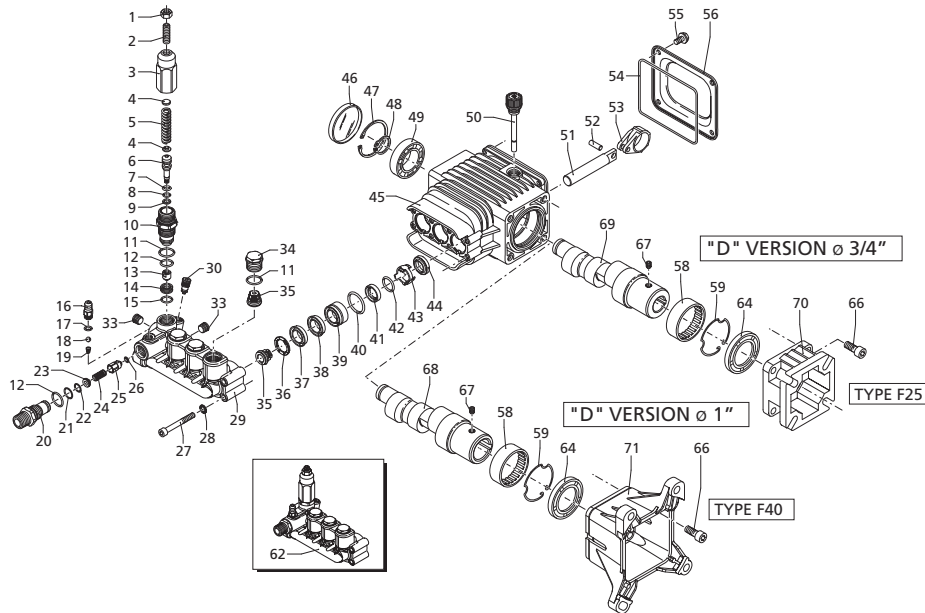
BACK

1. Recoil Starter Housing
2. On/Off Switch
3. Wiring
4. Oil Drain Plug
5. Oil Dipstick
6. Spark Plug Cover
7. Exhaust

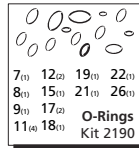
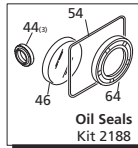
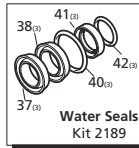


PRESSURE WASHER BREAKDOWN

B4015RA



Repair Kits



Pos	Code	Description	Qty.	Pos	Code	Description	Qty.	Pos	Code	Description	Qty.	
1	1980300	Nut M6	1	39	1981570	Piston guide	3	AR64516 Oil				1
2	2760420	Grub screw M6x12	1	40	770260	O-Ring ø23.52x1.78	3	OIL CAPACITY - 16 OZ				
3	1980540	Unloader knob	1	41	1260440	Gasket	3	Special Parts / Kits				
4	1980220	Spring plate	2	42	640070	O-Ring ø13.95x2.62	3	Code	Description	Qty.		
5	2760410	Spring	1	43	2760310	Spacer	3	42304	EZ Start assembly	1		
6	2760400	Valve piston	1	44	1260460	Oil seal	3	2186	Valve kit - up to 3200 PSI	1		
7	2260100	O-Ring ø6.02x2.62	1	45	2760010	Pump body	1	42302	Valve kit - above 3200 PSI	1		
8	660190	O-Ring ø6.07x1.78	1	46	1266740	Bearing cap	1	2280	Unloader kit up to 3200 PSI	1		
9	2760210	Ring	1	47	1260790	Circlip ø152	1		no knob with seat	1		
10	2760050	Piston guide	1	48	1780550	Snap ring	1	42369	Unloader kit above 3200 PSI	1		
11	1200690	O-Ring ø15.6x1.78	4	49	2760340	Bearing	1		no knob with seat	1		
12	394280	O-Ring ø12.42x1.78	2	50	1780490	Bearing	1	42128	Unloader kit above 3200 PSI	1		
13	2260070	By-pass jet	1	51	880130	Oil cap	1		with knob without seat	1		
14	2760090	Seat	1	52	2760040	Piston	3	42129	Unloader kit above 3200 PSI	1		
15	770140	O-Ring ø11.11x1.78	1	53	1780050	Piston pin	3		with knob with seat	1		
16	1982520	Hose nipple	1	54	1780040	Con rod Aluminum	3	42527	Complete manifold with EZ start	1		
17	1250280	Ball	1	55	1780710	Con rod Bronze	3	2769201	Complete manifold non EZ start	1		
18	1560520	Spring	1	56	2760280	O-Ring ø101.27x2.62	1	2761050	Bare manifolds with EZ start	1		
19	2760230	Detergent injector 3/8" G	1	57	802190	Bolt M6x12	4	2760330	Bare manifolds non EZ start	1		
20	2760270	O-Ring ø12x1	1	58	2760110	Rear cover	1					
21	1470210	O-Ring ø9x1	1	59	2760350	Bearing	1					
22	2760120	Injector insert	1	60	1321190	Bearing	1					
23	2760200	Spring	1	61	1321080	Snap ring	1					
24	2760130	Jet	1	62	2769201	Complete pump head w/o EZ start	1					
25	2760130	O-Ring ø4x2.5	1	63	2769209	Complete pump head EZ-start	1					
26	1460430	Bolt M6x50	8	64	480671	Oil seal	1					
27	801080	Lockwasher	8	65	180030	Bolt M8x20	4					
28	2760020	Head - w/o EZ-start	1	66	820440	Set screw M6	1					
29	2761050	Head - Bare EZ-start	1	67	1780340	Hollow shaft ø1"	1					
30	2760330	Head - Bare w/o EZ-start	1	68	1780920	Hollow shaft ø1"	1					
31	2760630	EZ-start plug	1	69	1780330	Hollow shaft ø1"	1					
32	2760260	Plug 1/4" G	2	70	1780590	Hollow shaft ø3/4" 3GPM #9	1					
33	2760180	Plug	3	71	1780600	Hollow shaft ø3/4" 2.5GPM #10	1					
34	2760180	Complete valve	6		1780580	Flange F25	1					
35	2769050	Support ring	3		2760290	Flange F40	1					
36	2760220	Gasket	3									
37	1342761	Ring	1									
38	1981580											

Legend

ø 15	ø 15	ø 15	ø 15
For √	For ☒	For ▲	For □
RSV2.5G25	RSV3G25	RSV3.5G35	RSV4G30
	For ○		For ■
	RSV3G30		RSV4G35
		For ●	RSV4G40
		RSV3G34	
		RSV3G35	