



# PARTS BREAKDOWN GENERATOR

MODEL:BE4200PS



**BEPOWEREQUIPMENT**

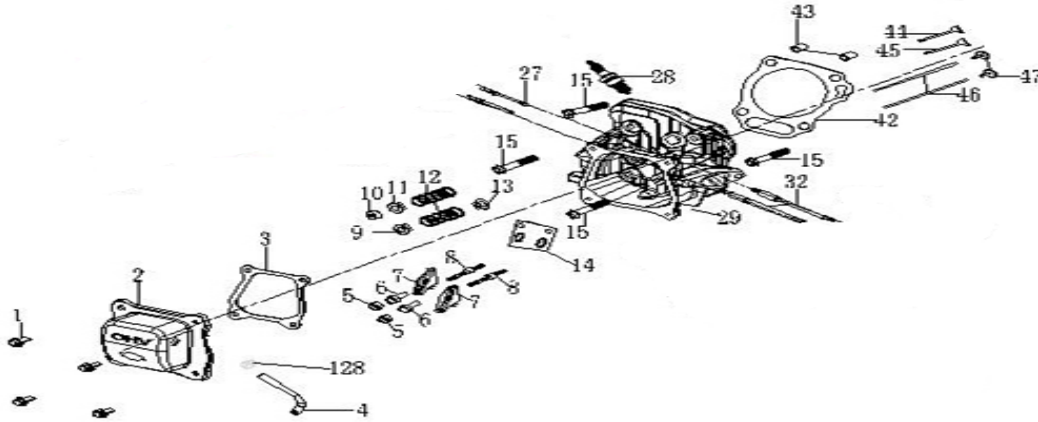
**.COM**



# PARTS BREAKDOWN GENERATOR

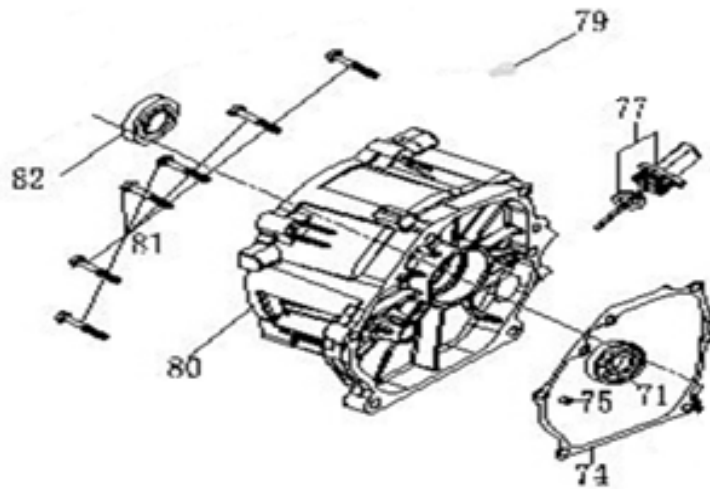
MODEL:BE4200PS

## CYLINDER HEAD AND COVER



REF #	DESCRIPTION	QTY	BE PART #
2	CYLINDER HEAD COVER	1	85.573.000
3	SEALING GASKET	1	
42	CYLINDER HEAD SEALING GASKET	1	85.573.002
1-47	COMPLETE ASSEMBLY	1	85.574.001

## CRANKCASE



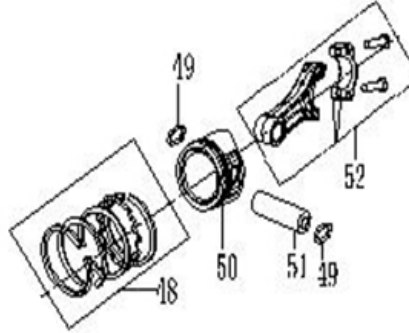
REF #	DESCRIPTION	QTY	BE PART #
60	OIL SENSOR	1	85.573.003
61	OIL ALERT	2	
74	OIL PLUG	1	85.573.004
82	OIL SEAL	2	
77	DIP STICK OIL PLUG	1	85.573.005



# PARTS BREAKDOWN GENERATOR

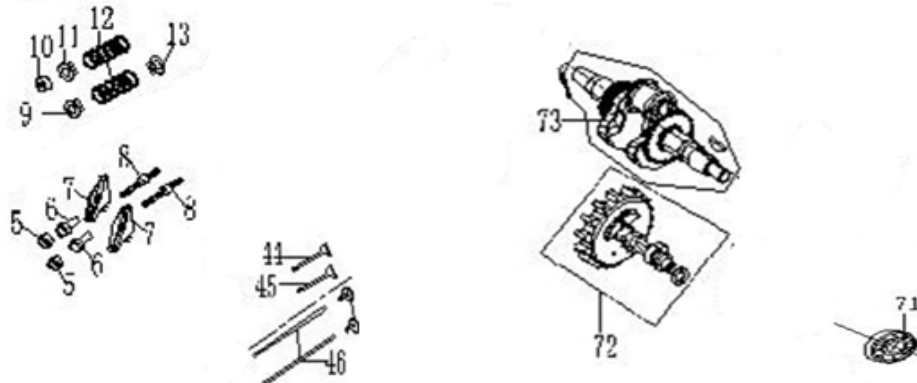
MODEL:BE4200PS

## PISTON/CONNECTING ROD



REF #	DESCRIPTION	QTY	BE PART #
48	PISTON RING KIT	1	85.573.006
49	RAND. PISTON PIN	2	85.574.007
50	PISTON PIN	1	
51	PISTON PIN	1	
52	CONNECTING ROD ASSEMBLY	1	85.574.008

## CAMSHAFT ASSEMBLY



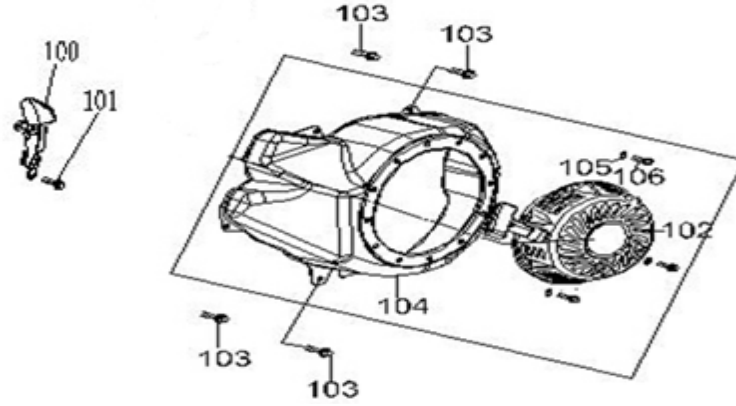
REF #	DESCRIPTION	QTY	BE PART #
71	BEARING	2	85.574.009
72	CAMSHAFT ASSEMBLY	1	
5	ROCKSHAFT RATING NUT	2	85.574.011
6	ROCKSHAFT	2	
7	VALVE ROCKER	2	
8	ROCKSHAFT BOLT	2	
9	INTAKE VALVE SPRING SEAT	1	
10	EXHAUST VALVE ROTOR	1	
11	EXHAUST VALVE SPRING SEAT	1	
12	VALVE SPRING	2	
13	OIL DRIP PAN	1	
44	EXHAUST VALVE	1	
45	INTAKE VALVE	1	
46	VALVE PUSH ROD	2	
47	VALVE LIFTER	2	



# PARTS BREAKDOWN GENERATOR

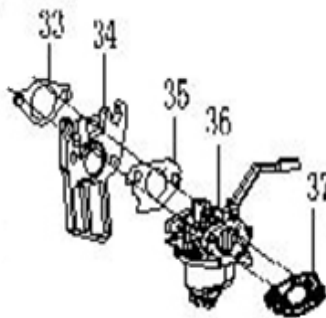
MODEL:BE4200PS

## STARTER/RECOIL



REF #	DESCRIPTION	QTY	BE PART #
100	SIDE WIND SHIELD	1	85.574.012
101	FLANGE BOLT	1	
102	RECOIL STARTER ASSEMBLY	1	
103	FLANGE BOLT	4	
104	WIND SCOOPER	1	
106	FLANGE BOLT	3	

## CARBURETOR ASSEMBLY



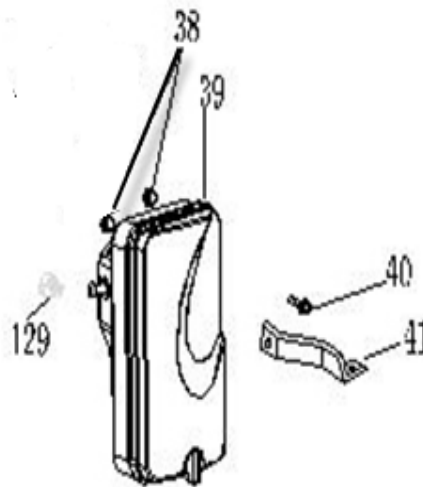
REF #	DESCRIPTION	QTY	BE PART #
33	INTAKE GASKET	1	85.574.013W
34	LINK BLOCK	1	
35	GASKET	1	
36	CARBURETOR ASSEMBLY	1	
37	AIR FILTER GASKET	1	



# PARTS BREAKDOWN GENERATOR

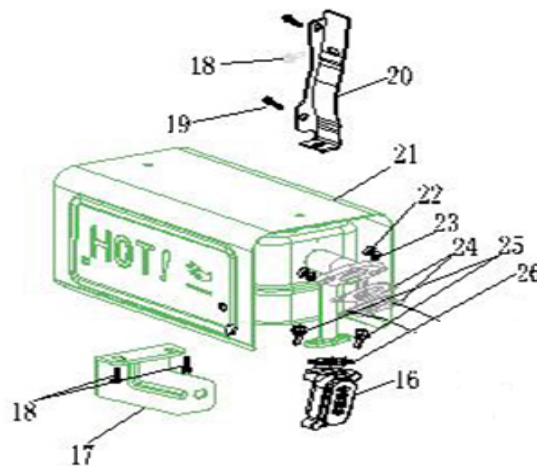
MODEL:BE4200PS

## AIR FILTER



REF #	DESCRIPTION	QTY	BE PART #
38	FLANGE NUT	2	85.573.014
39	AIR FILTER ASSEMBLY	1	
40	FLANGE BOLT	1	
41	AIR FILTER BRACKET	1	

## MUFFLER ASSEMBLY



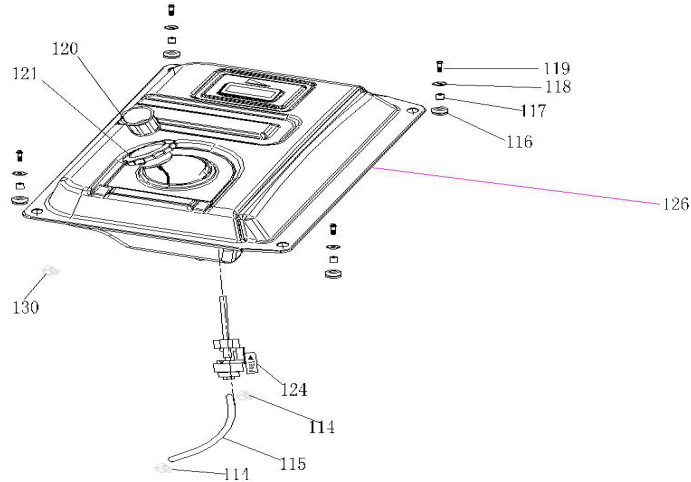
REF #	DESCRIPTION	QTY	BE PART #
16-26	COMPLETE MUFFLER ASSEMBLY	1	85.573.015



# PARTS BREAKDOWN GENERATOR

MODEL:BE4200PS

## FUEL TANK



REF #	DESCRIPTION	QTY	BE PART #
114	CLAMP	2	85.573.016
115	FUEL HOSE	1	
124	FUEL VALVE	1	
120	FUEL FILTER SCREEN	1	85.573.017
121	FUEL CAP	1	
126-143	FUEL TANK ASSEMBLY	1	85.573.018

## CARB CANISTER (IMAGE NOT AVAILABLE)

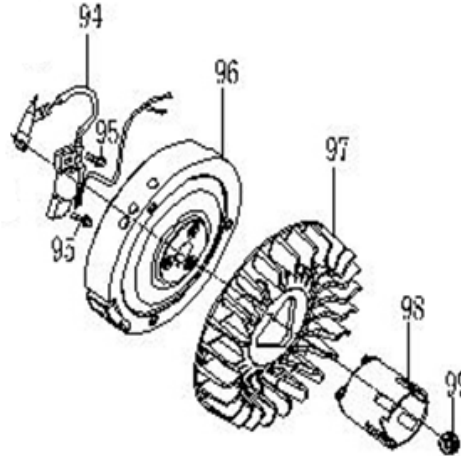
REF #	DESCRIPTION	QTY	BE PART #
**	CARBON CANISTER WITH MOUNTING PLATE	1	90100077BE



# PARTS BREAKDOWN GENERATOR

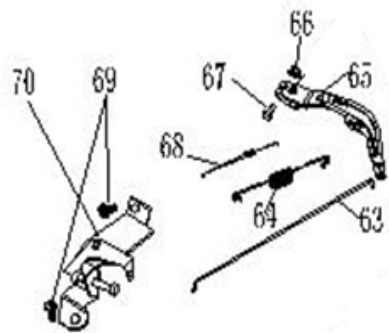
MODEL:BE4200PS

## FUEL TANK



REF #	DESCRIPTION	QTY	BE PART #
94	IGNITION COIL ASSEMBLY	1	85.573.019
96	FLYWHEEL	1	85.573.020
97	COOLING FAN	1	85.573.021

## CONTROL ASSEMBLY



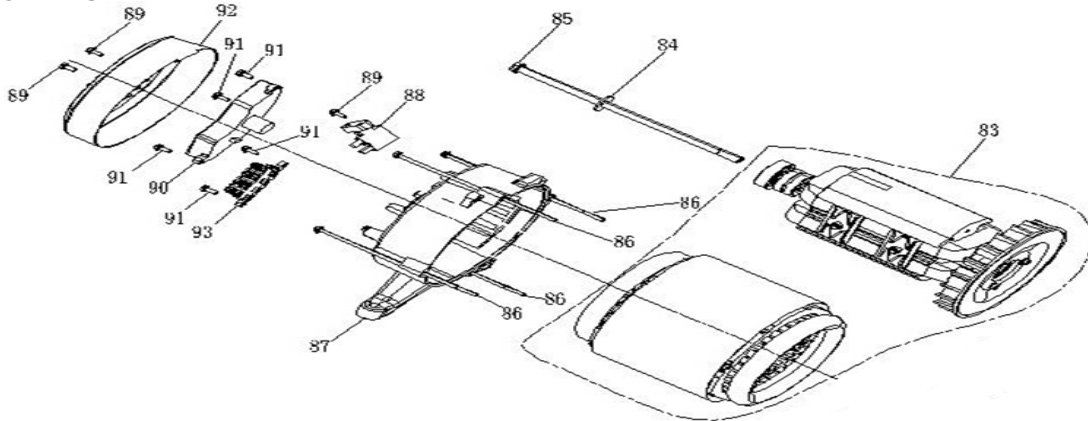
REF #	DESCRIPTION	QTY	BE PART #
63	SPEED PULL ROD	1	85.574.022
64	FINE SPRING	1	
65	SPEED REGULATING ARM	1	
66	FLANGE NUT	1	
67	GOVERNOR BOLT	1	
68	RESET SPRING	1	
69	FLANGE BOLT	2	
70	SPEED SETTING CONTROL ASSEMBLY	1	



# PARTS BREAKDOWN GENERATOR

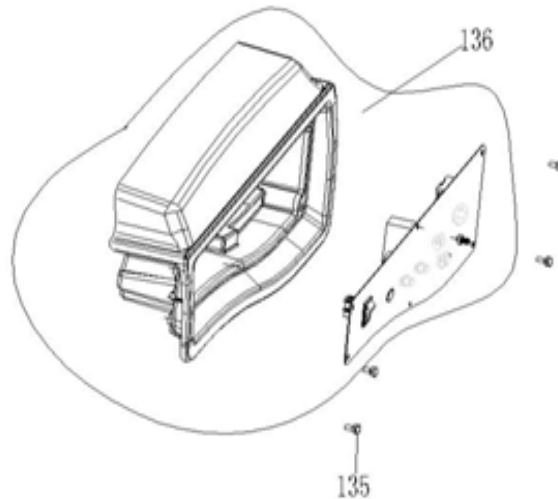
MODEL:BE4200PS

## ROTOR/STATOR



REF #	DESCRIPTION	QTY	BE PART #
83	ALTERNATOR ASSEMBLY	1	85.574.023
87	ALTERNTOR ASSEMBLY	1	85.574.024
88	CARBON BRUSH ASSEMBLY	1	85.571.082
90	AUTOMATIC VOLTAE REGULATOR	1	85.571.059
92	END COVER	1	85.574.004

## CONTROL PANEL



REF #	DESCRIPTION	QTY	BE PART #
135	FLANGE BOLT	4	85.574.030
136	CONTROL PANEL ASSEMBLY	1	

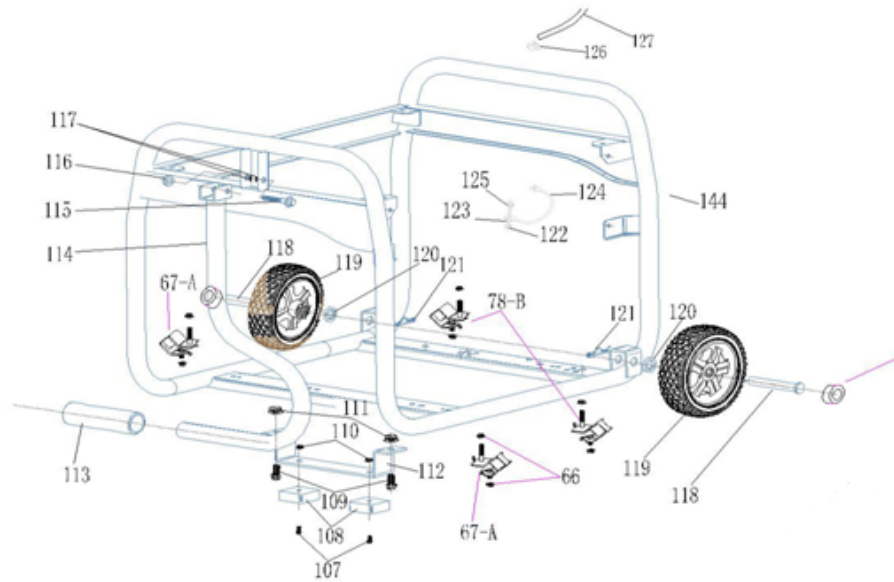




# PARTS BREAKDOWN GENERATOR

MODEL:BE4200PS

## FRAME



REF #	DESCRIPTION	QTY	BE PART #
66	HEX NUT	10	85.574.025
67	VIBRATION BLOCK 1	2	
78	VIBRATION BLOCK 2	2	
107	FLANGE BOLT	6	85.574.026
108	BRACKET RUBBER MAT	2	
109	FLANGE VOLT	2	
110	HEX NUT	2	
111	HEX NUT	2	
112	BRACKET	1	85.574.027
113	HANDLE GRIP	1	
114	HANDLE	1	
116	NYLON NUT	1	
117	ROCKING BEAM GASKET	2	85.574.031
118	AXLE	2	
119	WHEEL ASSEMBLY	2	
120	FLAT WASHER	2	
121	LOCK CLAMP, LOCATING PIN	2	

# BE

**POWER EQUIPMENT**

---

If you need technical assistance call:

**1-866-850-6662**

(8:00am - 4:30pm PST, Mon - Fri)