



PARTS BREAKDOWN

AIR COMPRESSOR

MODEL:AC210



BEPOWEREQUIPMENT

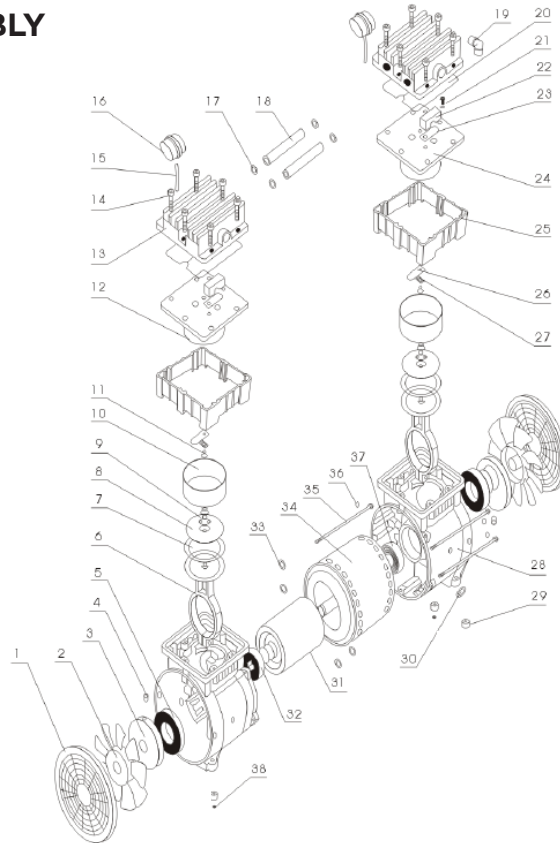
.COM



PARTS BREAKDOWN AIR COMPRESSOR

MODEL:AC210

PUMP AND MOTOR ASSEMBLY



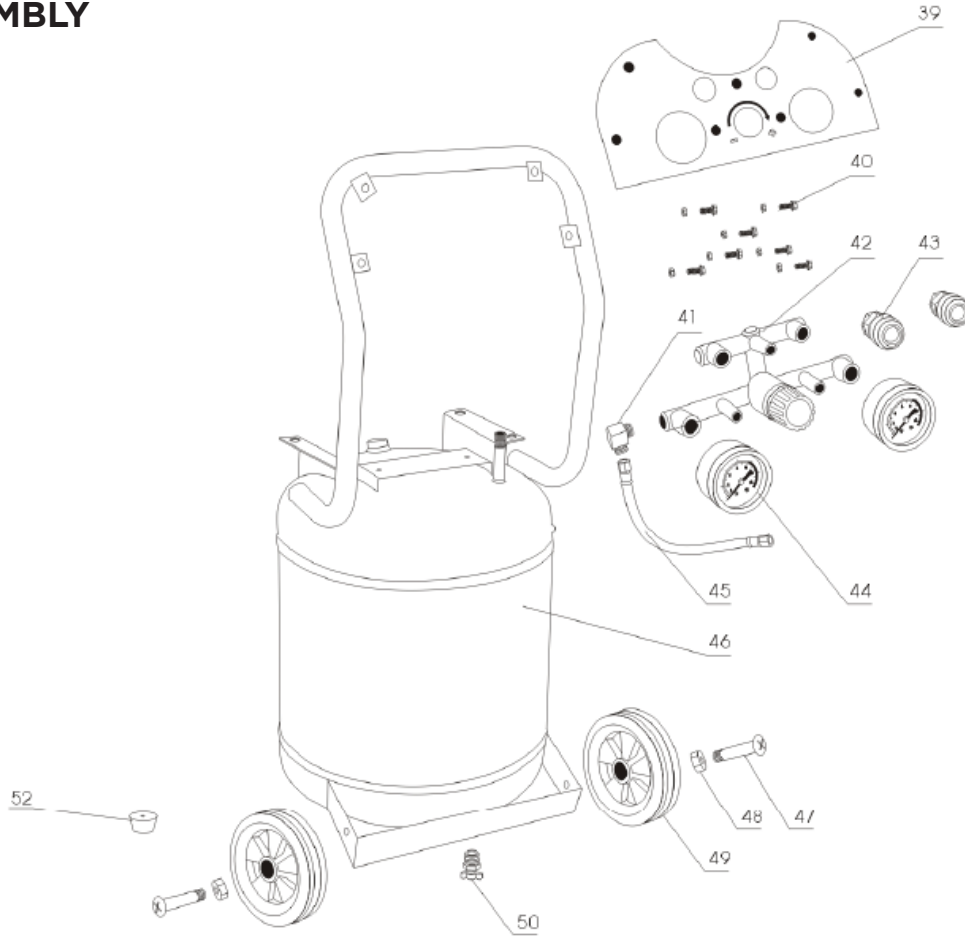
REF #	DESCRIPTION	QTY	BE PART #
7	Piston Ring	2	42.011.037
8	Piston	2	
9	Inner Hexagon Screws	4	
10	Cylinder	2	
11	Round Head Cross Screw M5	2	
17	O-Ring	4	42.011.038
15	Air Filter Tube	2	
16	Air Filter	2	
17	O-Ring	4	42.011.039
20	Gasket	2	
24	Valve Plate	2	
25	Sleeve	2	
26	Valve	2	
27	Holder	2	



PARTS BREAKDOWN AIR COMPRESSOR

MODEL:AC210

TANK ASSEMBLY



REF NO.	DESCRIPTION	QTY	PART NO.
42	Regulator with Manifold	1	42.011.026
43	Quick Coupler	2	42.011.012
44	Pressure Gauge	2	42.011.013
45	Steel Wire Hose	1	42.011.040
47	Wheel Axle (set of 2)	2	42.011.041
48	M10 Nut (set of 2)	2	
49	Wheel (set of 2)	2	
50	Tank Drain Valve	1	42.001.051
52	Rubber Foot	1	42.011.042

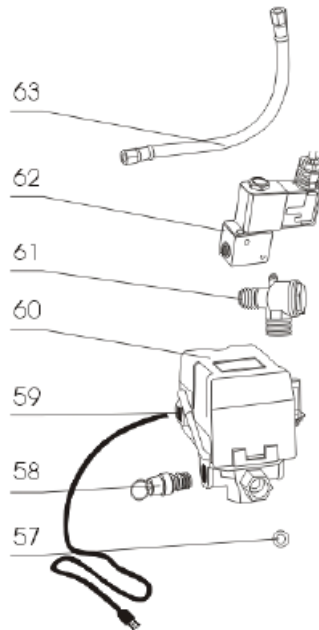


PARTS BREAKDOWN

AIR COMPRESSOR

MODEL:AC210

PRESSURE SWITCH ASSEMBLY



REF NO.	DESCRIPTION	QTY	PART NO.
58	Safety Relief Valve	1	42.010.150
60	Pressure Switch	1	42.011.009
61	Tank Check Valve	1	42.011.043
62	Solenoid Valve	2	
63	Discharge Tube	1	

BE

POWER EQUIPMENT

If you need technical assistance call:

1-866-850-6662

(8:00am - 4:30pm PST, Mon - Fri)