



PARTS BREAKDOWN

4" WATER PUMP

MODEL:WP4013H



BEPOWEREQUIPMENT

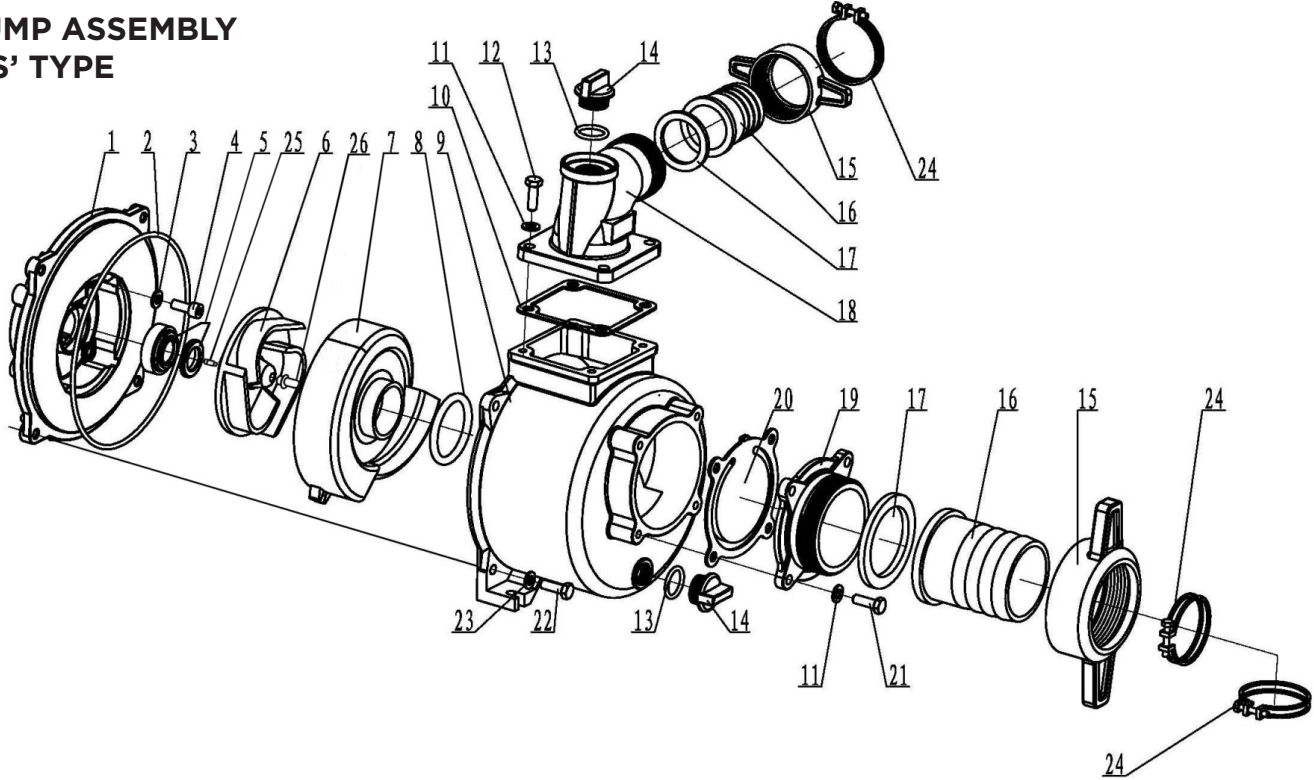
.COM



PARTS BREAKDOWN 4" WATER PUMP

MODEL:WP4013H

PUMP ASSEMBLY 'RS' TYPE



REF #	DESCRIPTION	QTY	BE PART #
1	Pump Joint	1	50.004.207
2	O-Ring 250 x 3.5	1	50.004.202
3	Sealed Washer	4	
5	Mechanical Seal	1	
8	O-Ring 96 x 6	1	
10	Outlet Gasket	1	
20	Inlet Gasket	1	
6	Impeller	1	50.004.201
7	Whorl Case	1	50.004.205
9	Pump Body	1	50.004.206
13	Plug O-ring	2	50.002.203
14	Plug	2	
18	Outlet	1	50.004.204
19	Inlet	1	

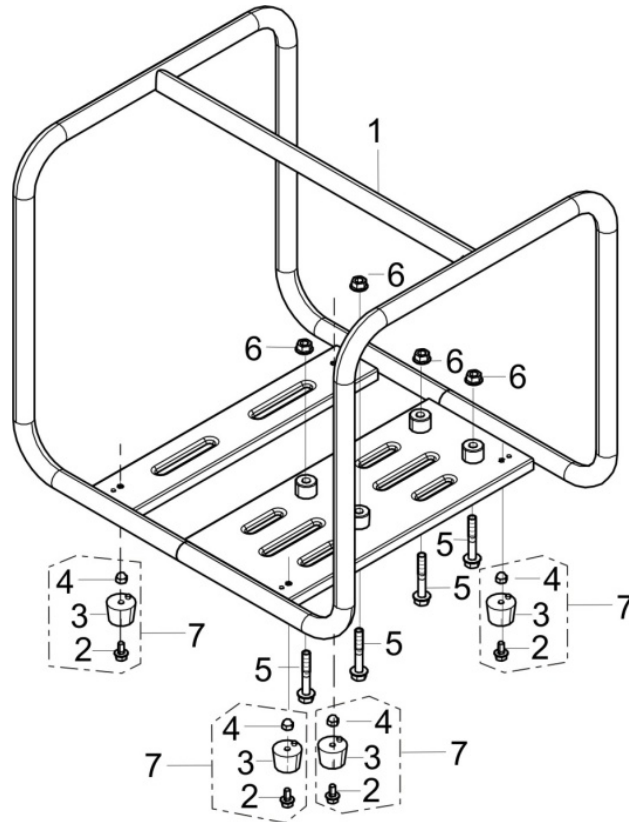


PARTS BREAKDOWN

4" WATER PUMP

MODEL:WP4013H

FRAME ASSEMBLY



REF #	DESCRIPTION	QTY	BE PART #
1	Frame	1	50.004.002
2	Bolt	4	50.002.205
3	Engine Frame Shock Absorption Seat	4	
4	Acorn Nut	4	

***CHECK WITH HONDA FOR ENGINE BREAKDOWN AND PARTS**

BE

POWER EQUIPMENT

If you need technical assistance call:

1-866-850-6662

(8:00am - 4:30pm PST, Mon - Fri)