



PARTS BREAKDOWN

2" SEMI-TRASH PUMP

MODEL:TP-2065HT



BEPOWEREQUIPMENT

.COM

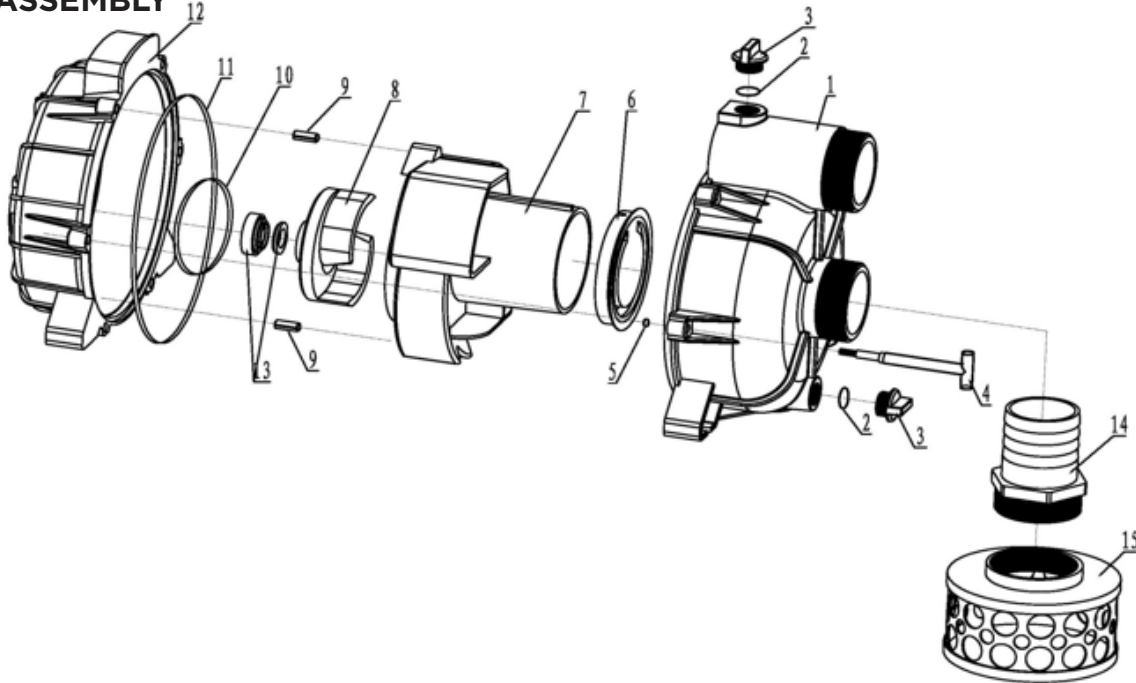


PARTS BREAKDOWN

2" SEMI-TRASH PUMP

MODEL:TP-2065HT

PUMP ASSEMBLY



REF #	DESCRIPTION	QTY	BE PART #
1	Pump Body	1	50.102.105
2	Plug	2	90155003BE
3	O-ring	2	
4	T-Bolts	6	50.102.104
5	O-ring	6	50.102.103
6	Check Valve	1	
9	Spring Column Pin	2	
10	O-ring	1	
11	O-ring	1	
13	Mechanical Seal	1	
7	Diffuser	1	50.102.100F
8	Impeller	1	50.102.101
12	Pump Cover	1	50.102.106
15	Strainer	1	50.002.014
**	Complete Pump Assembly	1	85.150.312F

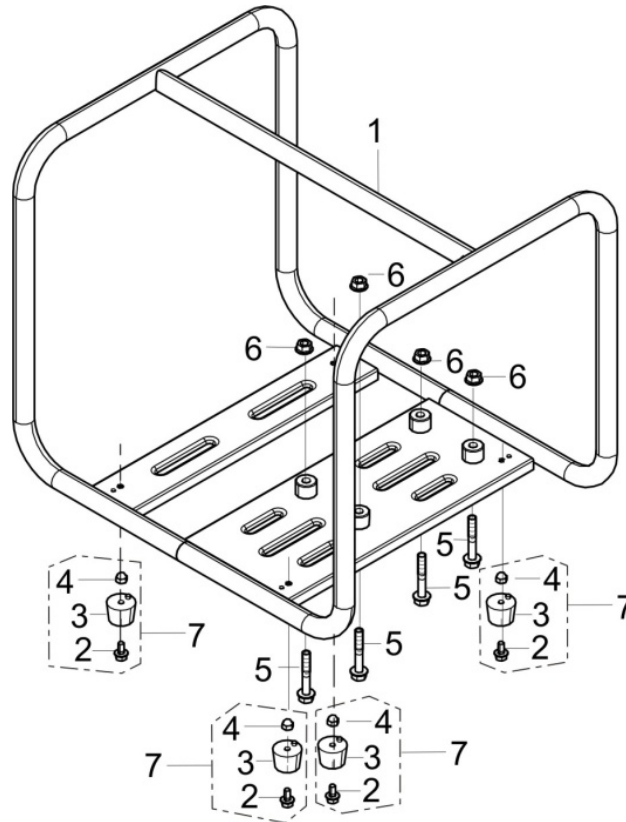


PARTS BREAKDOWN

2" SEMI-TRASH PUMP

MODEL:TP-2065HT

FRAME ASSEMBLY



REF #	DESCRIPTION	QTY	BE PART #
1	Frame	1	50.102.108
2	Bolt	4	50.002.205
3	Engine Frame Shock Absorption Seat	4	
4	Acorn Nut	4	

***CHECK WITH HONDA FOR ENGINE BREAKDOWN AND PARTS**

BE

POWER EQUIPMENT

If you need technical assistance call:

1-866-850-6662

(8:00am - 4:30pm PST, Mon - Fri)