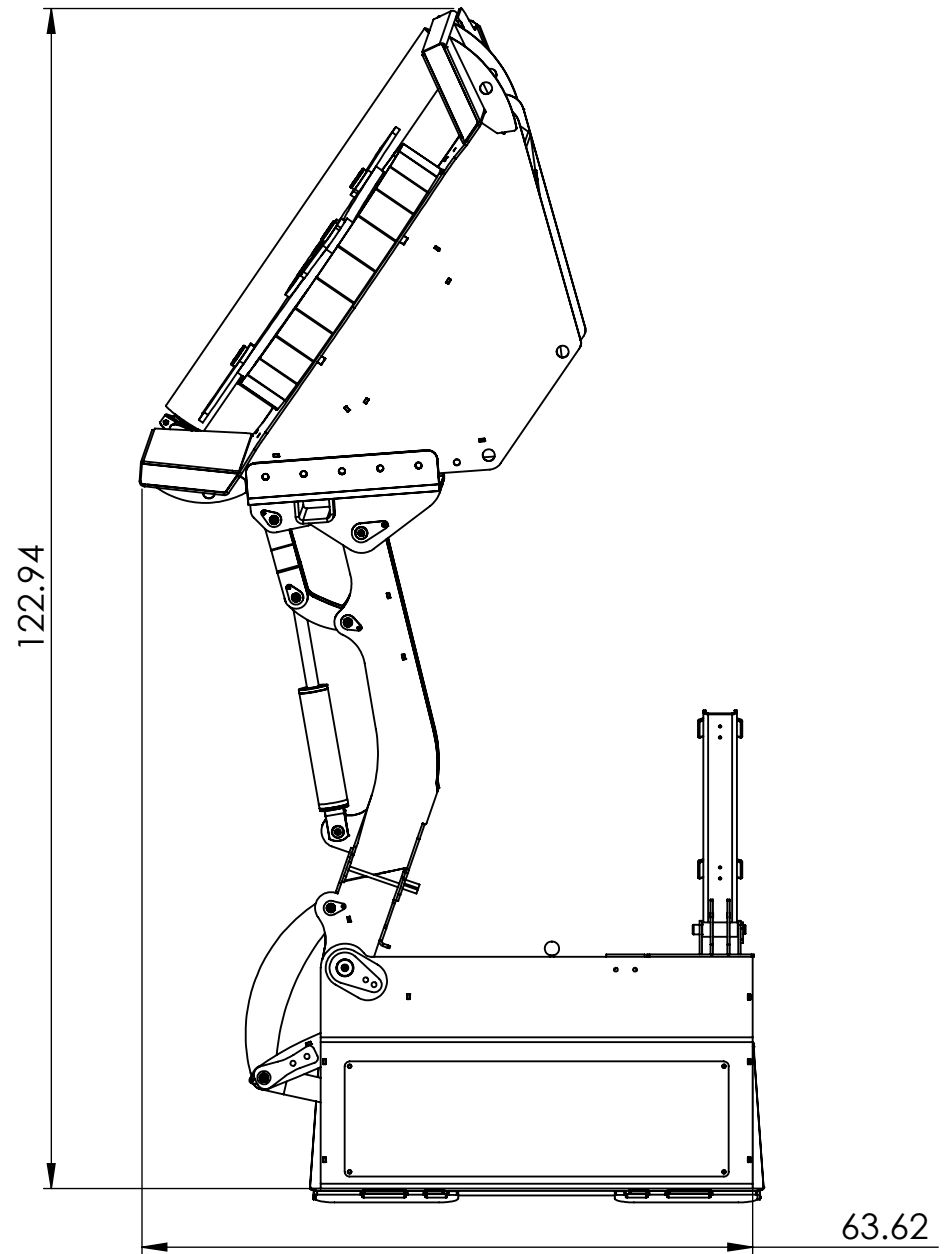


SWA750-Boom up tilted up



PROPRIETARY AND CONFIDENTIAL
 THE INFORMATION CONTAINED IN THIS DRAWING IS THE SOLE PROPERTY OF BAUMALIGHT. ANY REPRODUCTION IN PART OR AS A WHOLE WITHOUT THE WRITTEN PERMISSION OF BAUMALIGHT IS PROHIBITED.



Description

Skid Wing for CAT 299D2 XHP

Weight
lbs.

DATE

22-03-2018

DWG. NO.

SWA750

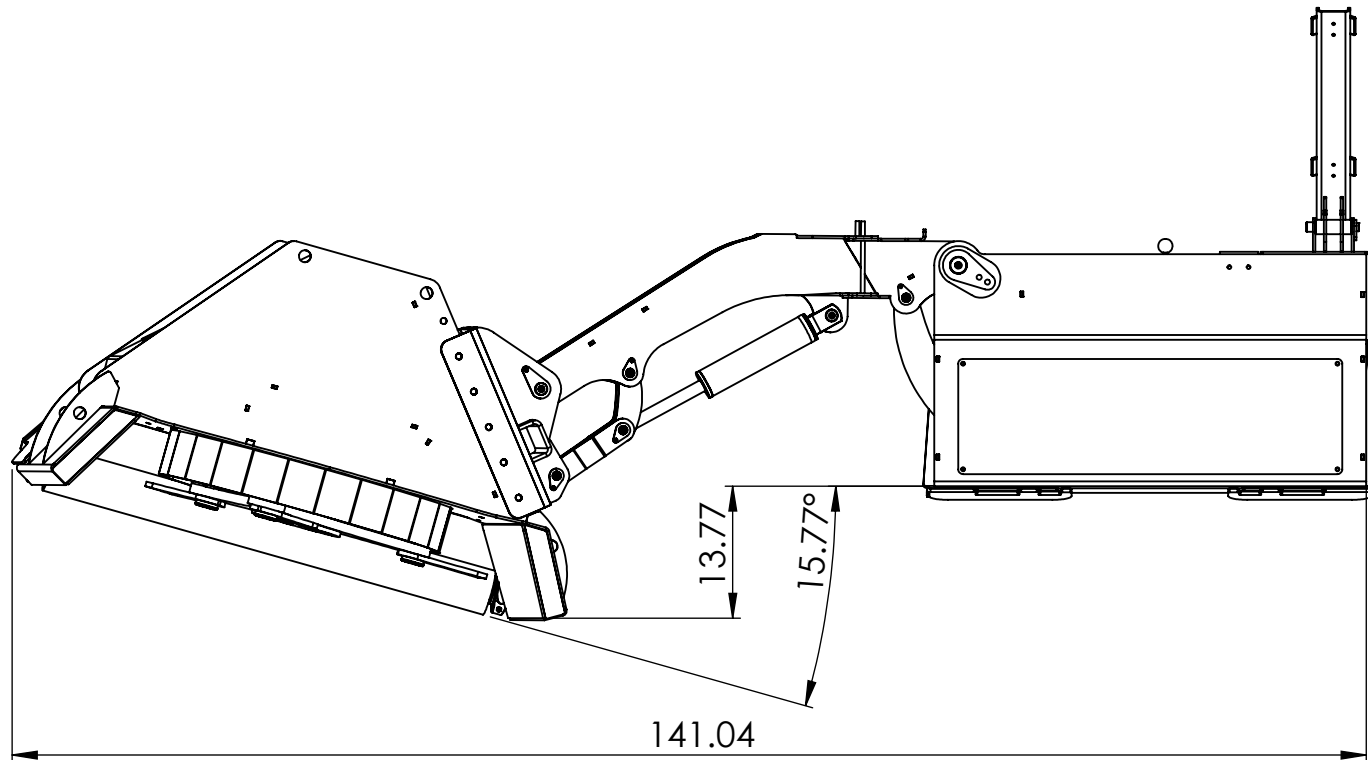
REV
A

DO NOT SCALE DRAWING

SCALE: 1:20

SHEET 1 OF 8

SWA750-Boom Down tilted up



PROPRIETARY AND CONFIDENTIAL
 THE INFORMATION CONTAINED IN THIS DRAWING IS THE SOLE PROPERTY OF BAUMALIGHT. ANY REPRODUCTION IN PART OR AS A WHOLE WITHOUT THE WRITTEN PERMISSION OF BAUMALIGHT IS PROHIBITED.



Description

Skid Wing for CAT 299D2 XHP

Weight
lbs.

DATE
22-03-2018

DWG. NO.
SWA750

REV
A

DO NOT SCALE DRAWING

SCALE: 1:20

SHEET 2 OF 8

5

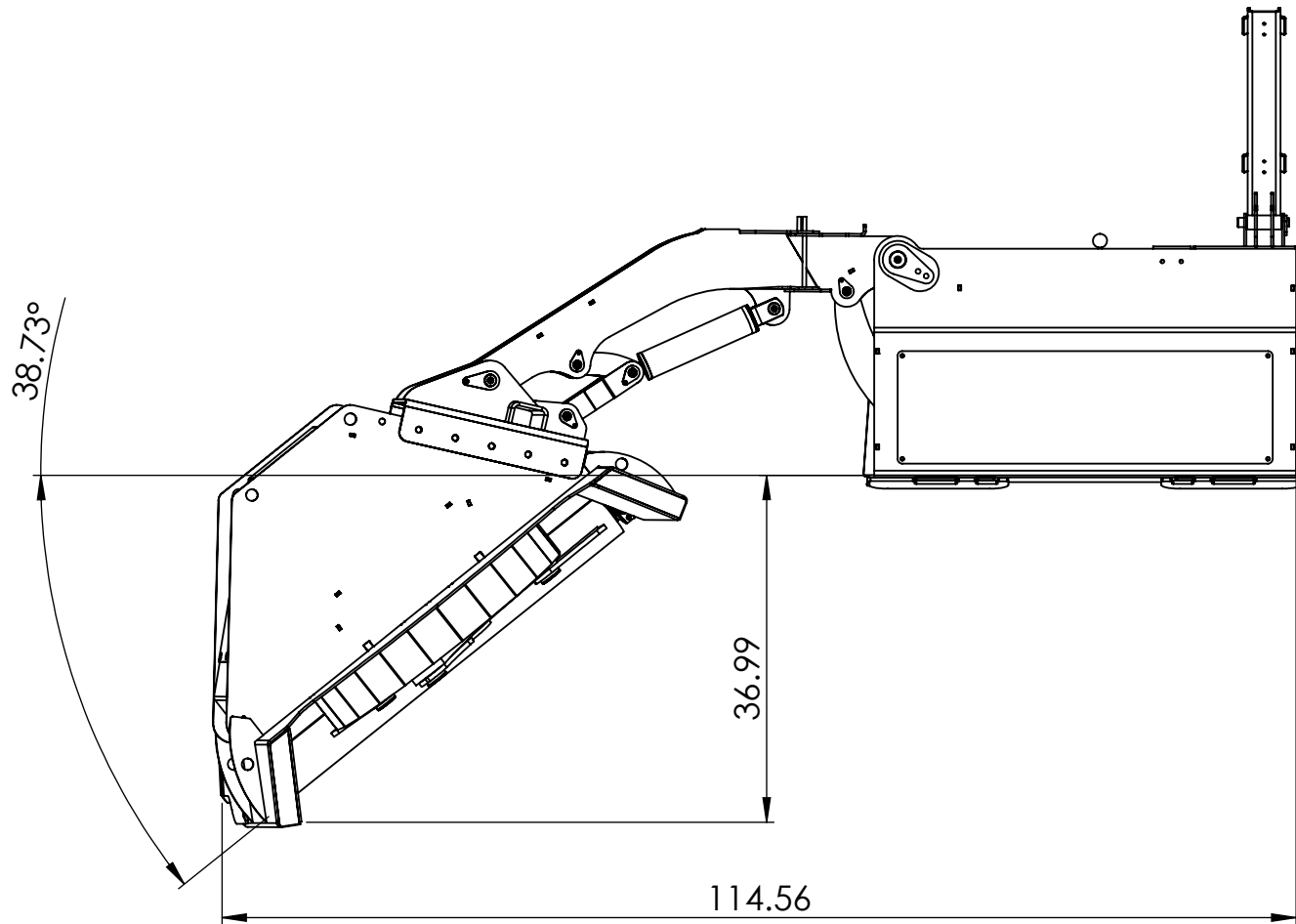
4

3

2

1

SWA750-Boom down tilted down



PROPRIETARY AND CONFIDENTIAL
 THE INFORMATION CONTAINED IN THIS DRAWING IS THE SOLE PROPERTY OF BAUMALIGHT. ANY REPRODUCTION IN PART OR AS A WHOLE WITHOUT THE WRITTEN PERMISSION OF BAUMALIGHT IS PROHIBITED.



Description

Skid Wing for CAT 299D2 XHP

Weight
lbs.

DATE
22-03-2018

DWG. NO.
SWA750

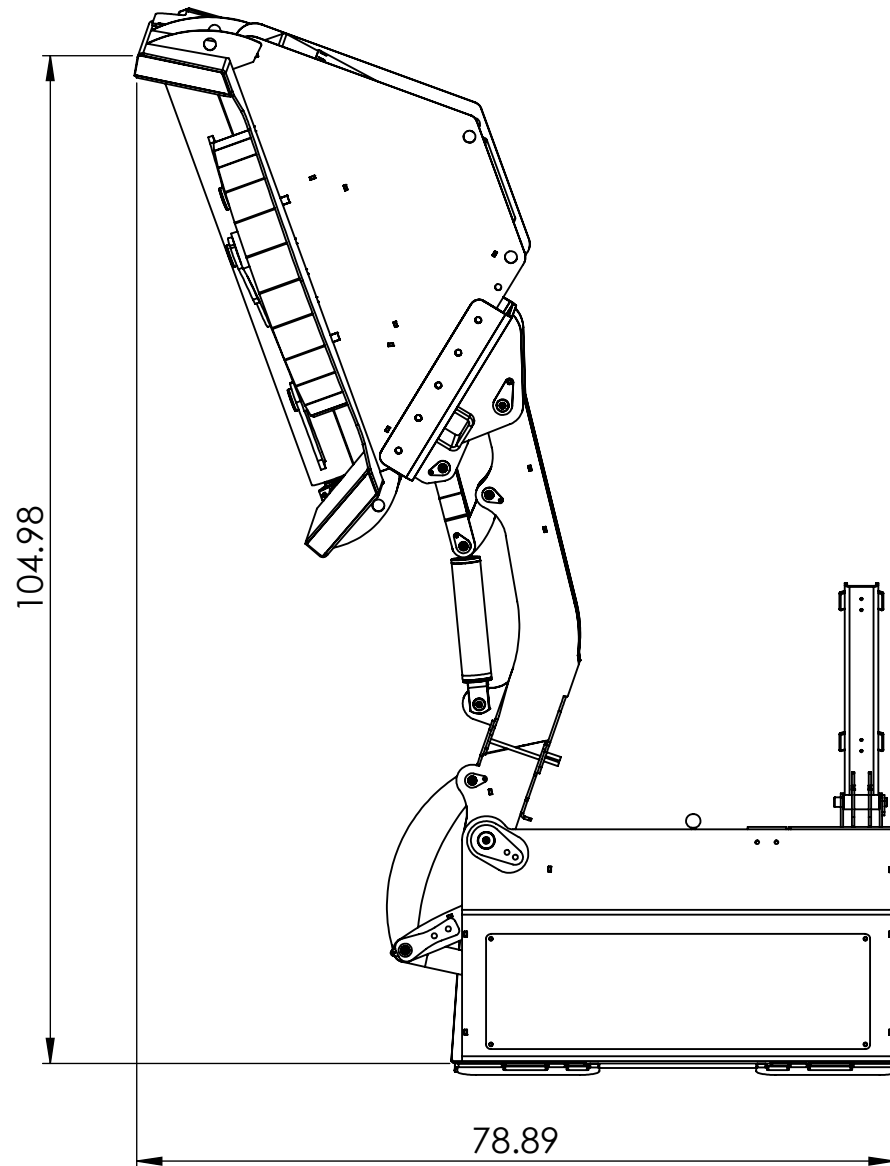
REV
A

DO NOT SCALE DRAWING

SCALE: 1:20

SHEET 3 OF 8

SWA750-Boom up tilted down (Travel size)



PROPRIETARY AND CONFIDENTIAL
 THE INFORMATION CONTAINED IN THIS DRAWING IS THE SOLE PROPERTY OF BAUMALIGHT. ANY REPRODUCTION IN PART OR AS A WHOLE WITHOUT THE WRITTEN PERMISSION OF BAUMALIGHT IS PROHIBITED.



Description

Skid Wing for CAT 299D2 XHP

Weight
lbs.

DATE

22-03-2018

DWG. NO.

SWA750

REV
A

DO NOT SCALE DRAWING

SCALE: 1:20

SHEET 4 OF 8

5

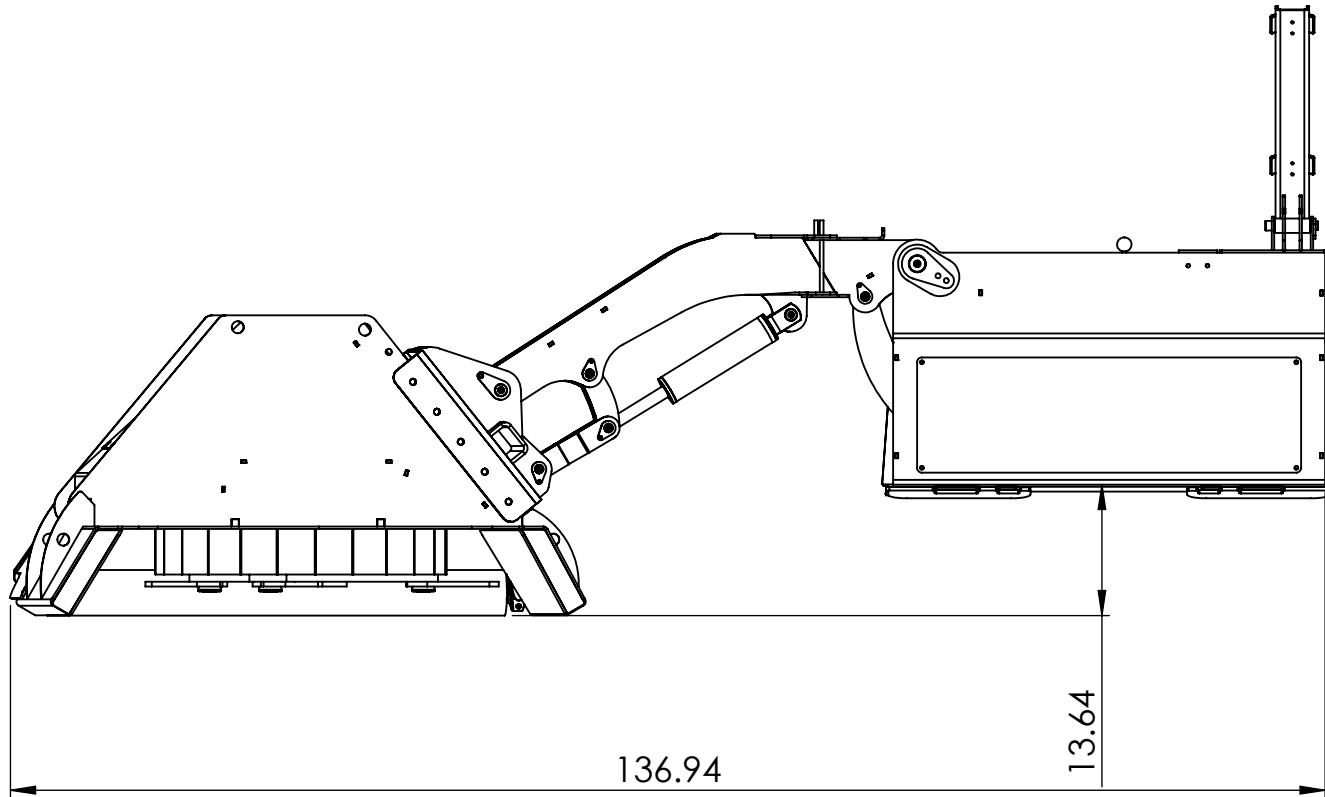
4

3

2

1

SWA750-Max reach



PROPRIETARY AND CONFIDENTIAL
 THE INFORMATION CONTAINED IN THIS DRAWING IS THE SOLE PROPERTY OF BAUMALIGHT. ANY REPRODUCTION IN PART OR AS A WHOLE WITHOUT THE WRITTEN PERMISSION OF BAUMALIGHT IS PROHIBITED.



Description

Skid Wing for CAT 299D2 XHP

Weight
lbs.

DATE

22-03-2018

DWG. NO.

SWA750

REV
A

DO NOT SCALE DRAWING

SCALE: 1:20

SHEET 5 OF 8

5

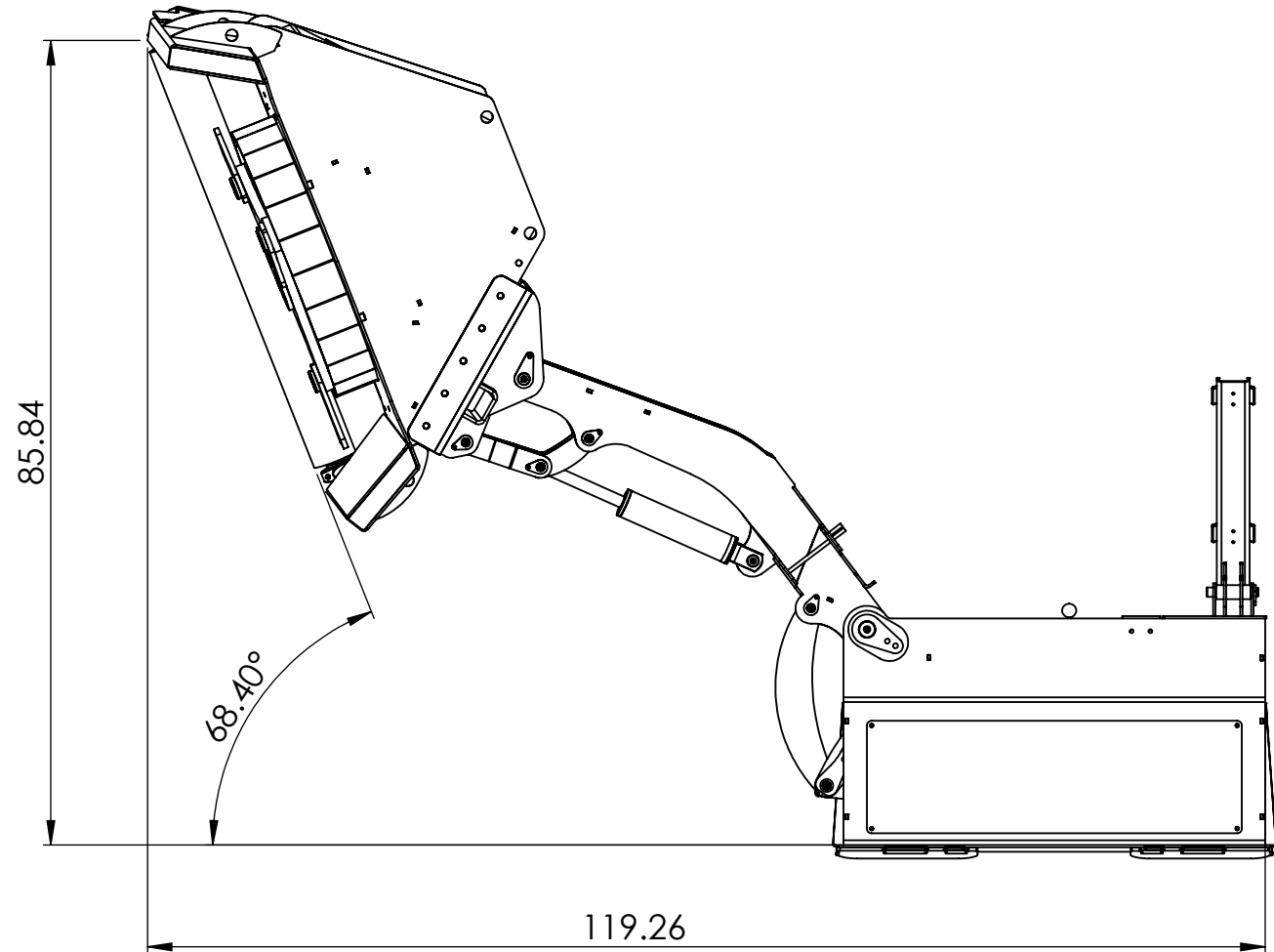
4

3

2

1

SWA750-Max angle up



PROPRIETARY AND CONFIDENTIAL
 THE INFORMATION CONTAINED IN THIS DRAWING IS THE SOLE PROPERTY OF BAUMALIGHT. ANY REPRODUCTION IN PART OR AS A WHOLE WITHOUT THE WRITTEN PERMISSION OF BAUMALIGHT IS PROHIBITED.



Description

Skid Wing for CAT 299D2 XHP

Weight
lbs.

DATE

22-03-2018

DWG. NO.

SWA750

REV
A

DO NOT SCALE DRAWING

SCALE: 1:20

SHEET 6 OF 8

5

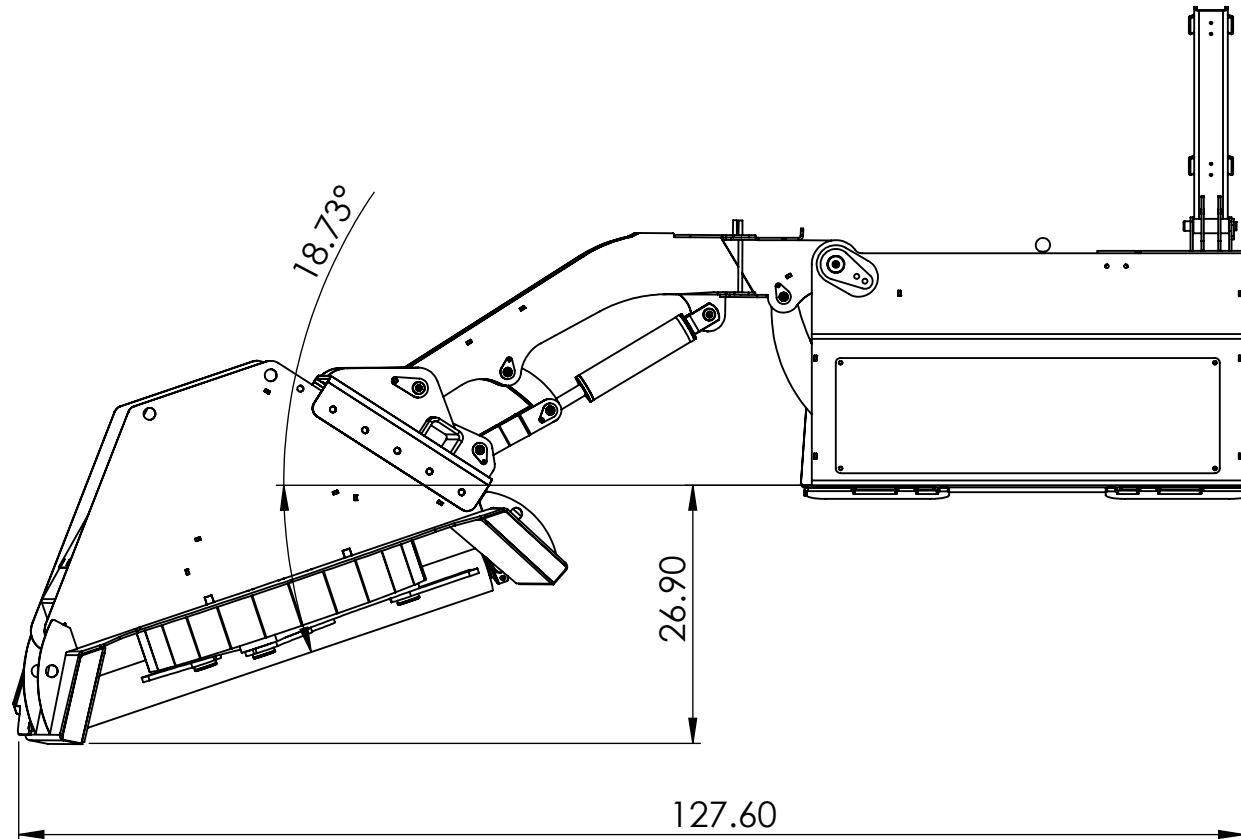
4

3

2

1

SWA750-Max angle down



PROPRIETARY AND CONFIDENTIAL
 THE INFORMATION CONTAINED IN THIS DRAWING IS THE SOLE PROPERTY OF BAUMALIGHT. ANY REPRODUCTION IN PART OR AS A WHOLE WITHOUT THE WRITTEN PERMISSION OF BAUMALIGHT IS PROHIBITED.



Description

Skid Wing for CAT 299D2 XHP

Weight
lbs.

DATE
22-03-2018

DWG. NO.

REV
A

DO NOT SCALE DRAWING

SCALE: 1:20

SHEET 7 OF 8

SWA750

5

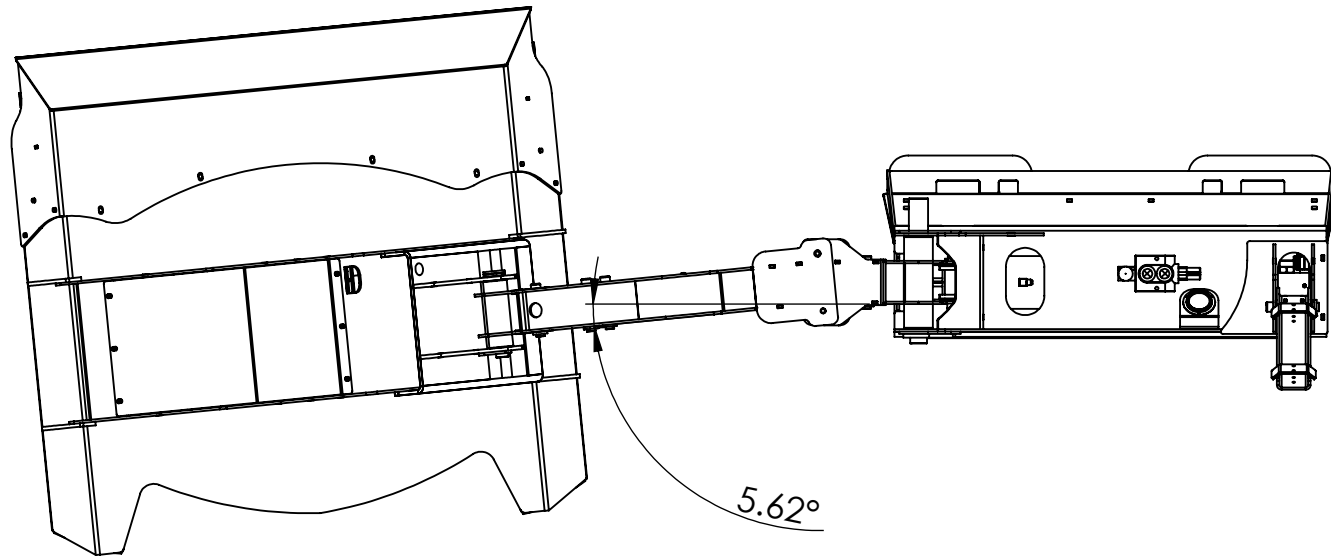
4

3

2

1

SWA750-Offset



PROPRIETARY AND CONFIDENTIAL
 THE INFORMATION CONTAINED IN THIS DRAWING IS THE SOLE PROPERTY OF BAUMALIGHT. ANY REPRODUCTION IN PART OR AS A WHOLE WITHOUT THE WRITTEN PERMISSION OF BAUMALIGHT IS PROHIBITED.



Description

Skid Wing for CAT 299D2 XHP

Weight
lbs.

DATE
22-03-2018

DWG. NO.

REV
A

DO NOT SCALE DRAWING

SCALE: 1:20

SHEET 8 OF 8

SWA750

5

4

3

2

1