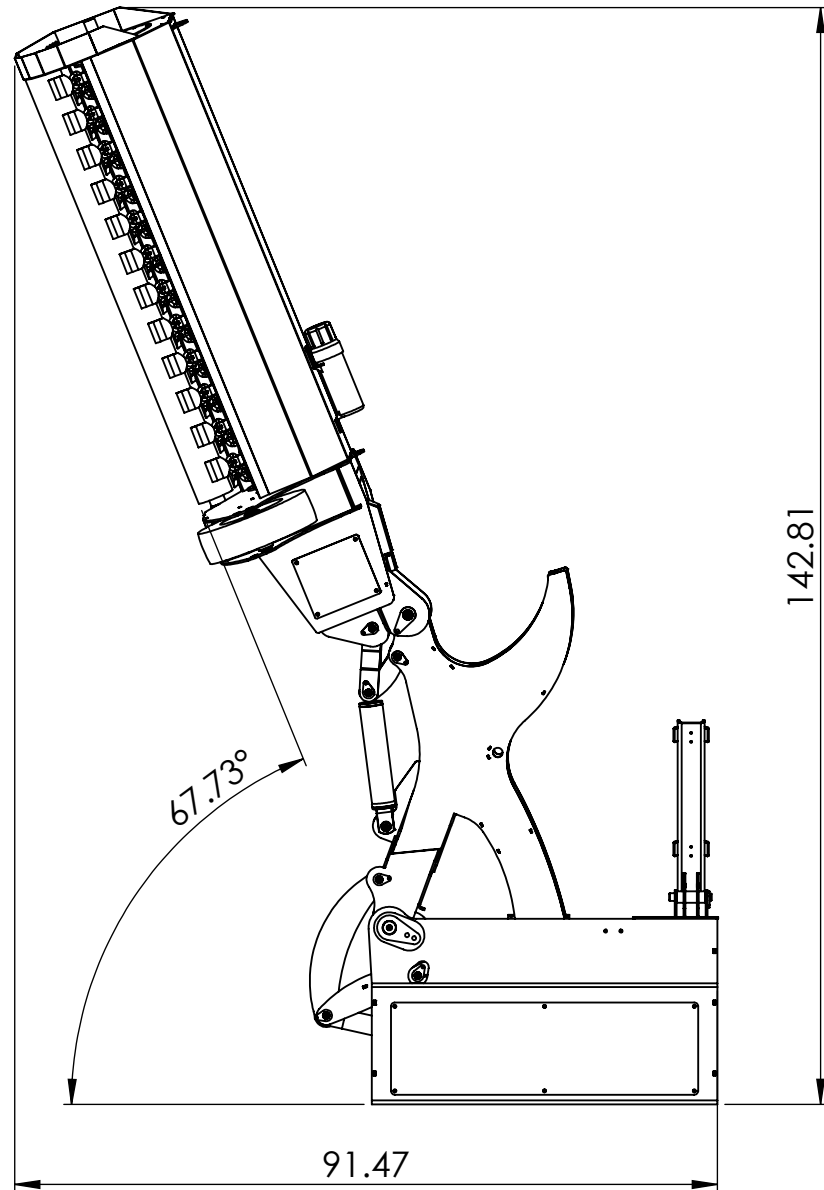


SWA560-Boom up tilted down



PROPRIETARY AND CONFIDENTIAL
 THE INFORMATION CONTAINED IN THIS DRAWING IS THE SOLE PROPERTY OF BAUMALIGHT. ANY REPRODUCTION IN PART OR AS A WHOLE WITHOUT THE WRITTEN PERMISSION OF BAUMALIGHT IS PROHIBITED.



Description

SWA560

Weight
lbs.

DATE
12-09-2017

DWG. NO.

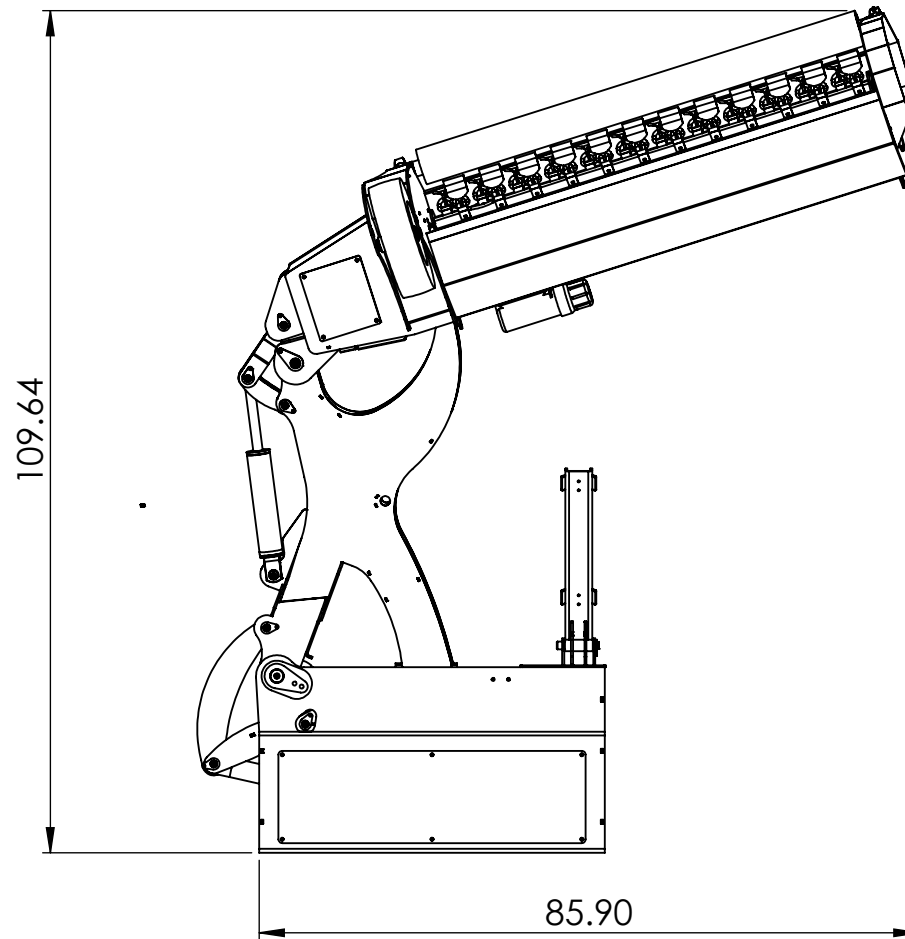
REV
A

DO NOT SCALE DRAWING

SCALE: 1:25 SHEET 1 OF 8

SWA560

SWA560-Boom up tilted up



PROPRIETARY AND CONFIDENTIAL
 THE INFORMATION CONTAINED IN THIS DRAWING IS THE SOLE PROPERTY OF BAUMALIGHT. ANY REPRODUCTION IN PART OR AS A WHOLE WITHOUT THE WRITTEN PERMISSION OF BAUMALIGHT IS PROHIBITED.



Description

SWA560

Weight
lbs.

DATE
12-09-2017

DWG. NO.

REV

DO NOT SCALE DRAWING

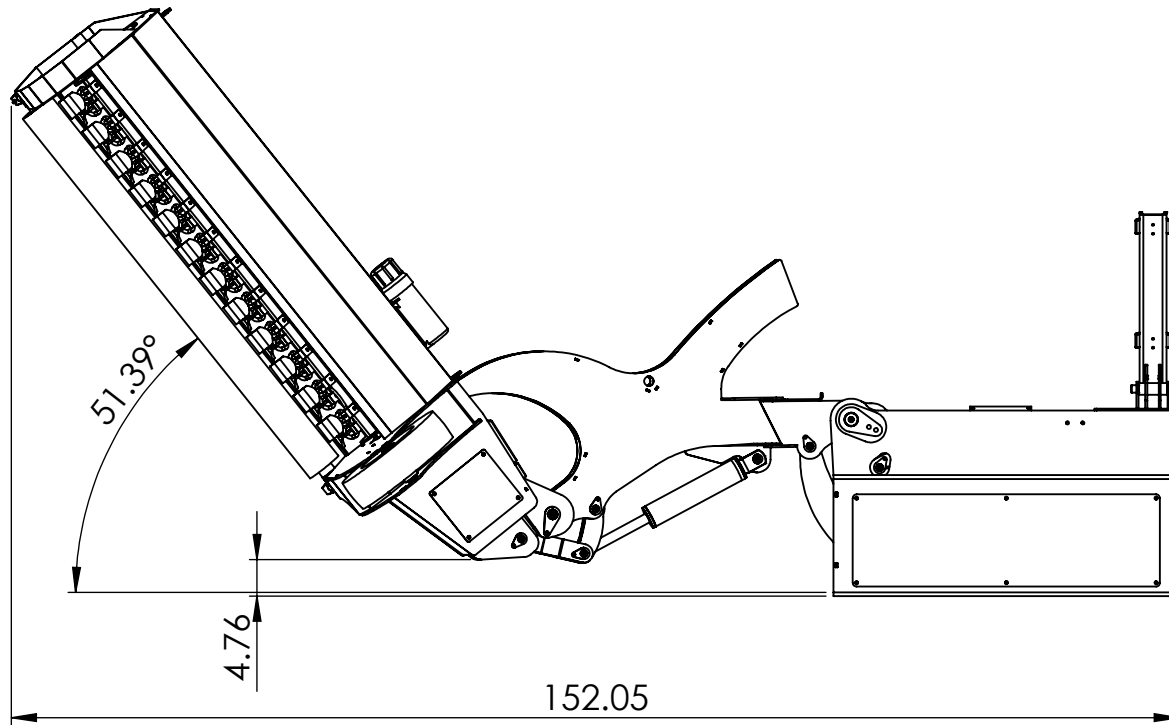
SCALE: 1:25

SHEET 2 OF 8

SWA560

A

SWA560-Boom down tilted up



PROPRIETARY AND CONFIDENTIAL
 THE INFORMATION CONTAINED IN THIS DRAWING IS THE SOLE PROPERTY OF BAUMALIGHT. ANY REPRODUCTION IN PART OR AS A WHOLE WITHOUT THE WRITTEN PERMISSION OF BAUMALIGHT IS PROHIBITED.



Description

SWA560

Weight
lbs.

DATE
12-09-2017

DWG. NO.

REV
A

DO NOT SCALE DRAWING

SCALE: 1:25

SHEET 3 OF 8

SWA560

5

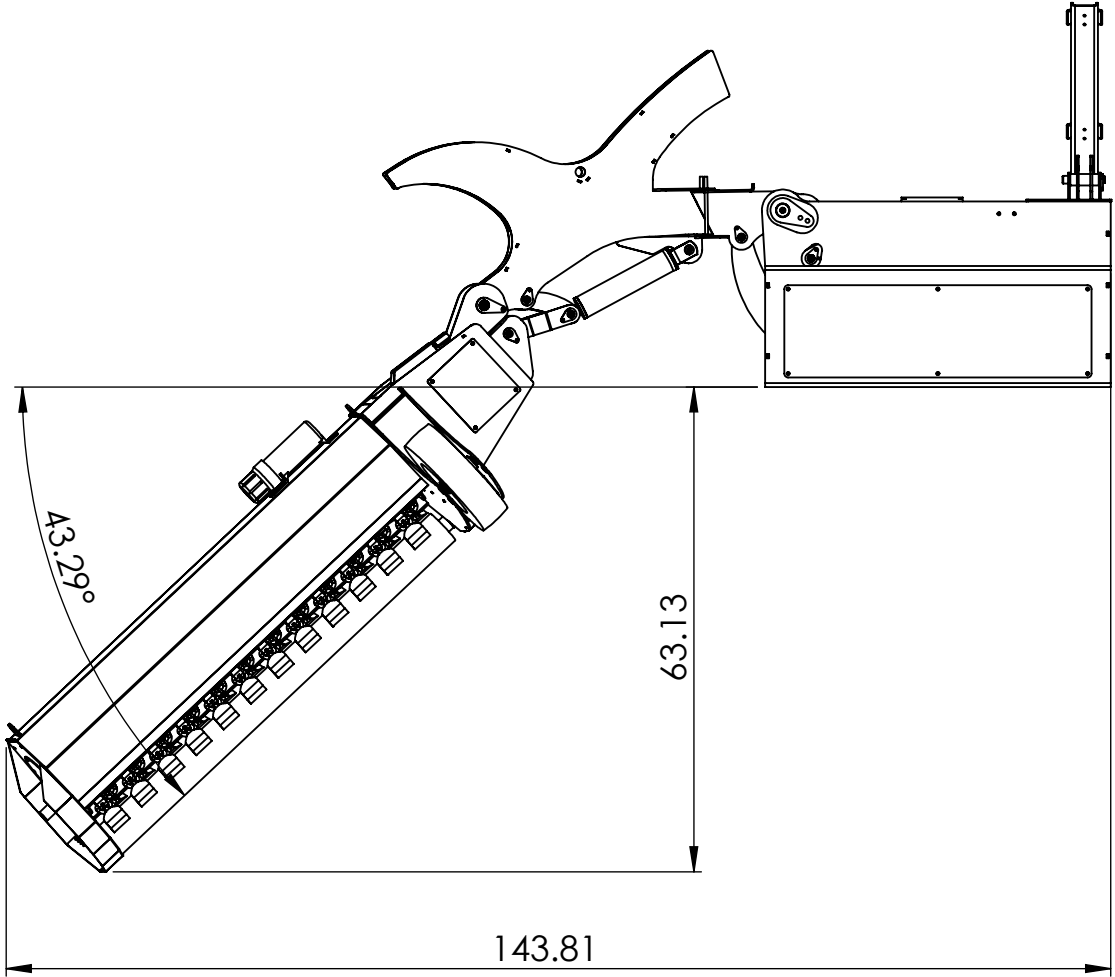
4

3

2

1

SWA560-Boom down tilted down



PROPRIETARY AND CONFIDENTIAL
 THE INFORMATION CONTAINED IN THIS DRAWING IS THE SOLE PROPERTY OF BAUMALIGHT. ANY REPRODUCTION IN PART OR AS A WHOLE WITHOUT THE WRITTEN PERMISSION OF BAUMALIGHT IS PROHIBITED.



Description

SWA560

Weight
lbs.

DATE
12-09-2017

DWG. NO.

REV
A

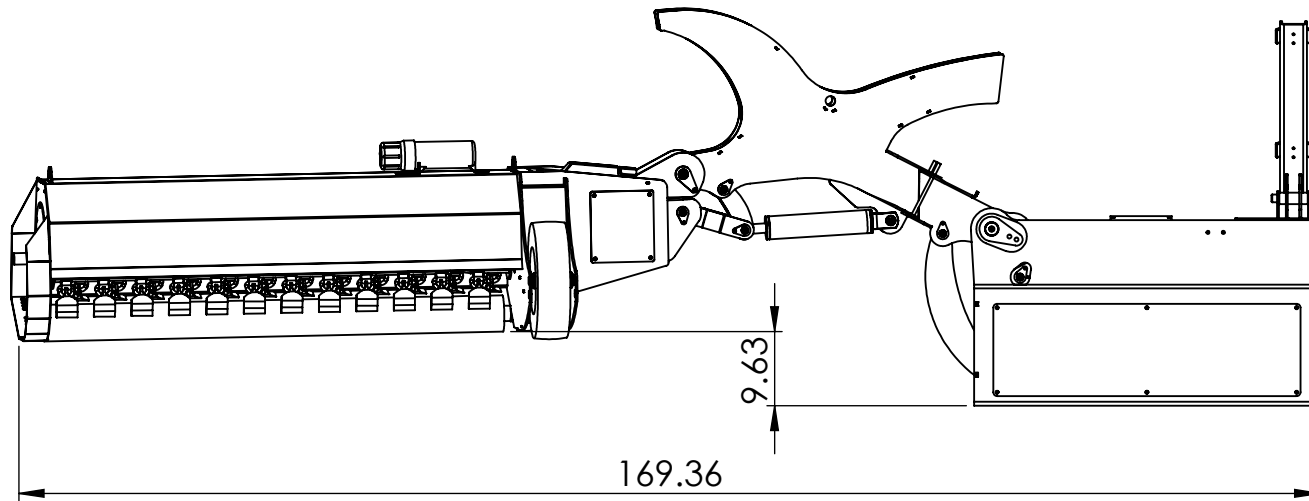
DO NOT SCALE DRAWING

SCALE: 1:25

SHEET 4 OF 8

SWA560

SWA560-Max Reach



PROPRIETARY AND CONFIDENTIAL
 THE INFORMATION CONTAINED IN THIS DRAWING IS THE SOLE PROPERTY OF BAUMALIGHT. ANY REPRODUCTION IN PART OR AS A WHOLE WITHOUT THE WRITTEN PERMISSION OF BAUMALIGHT IS PROHIBITED.



Description

SWA560

Weight
lbs.

DATE
12-09-2017

DWG. NO.

REV
A

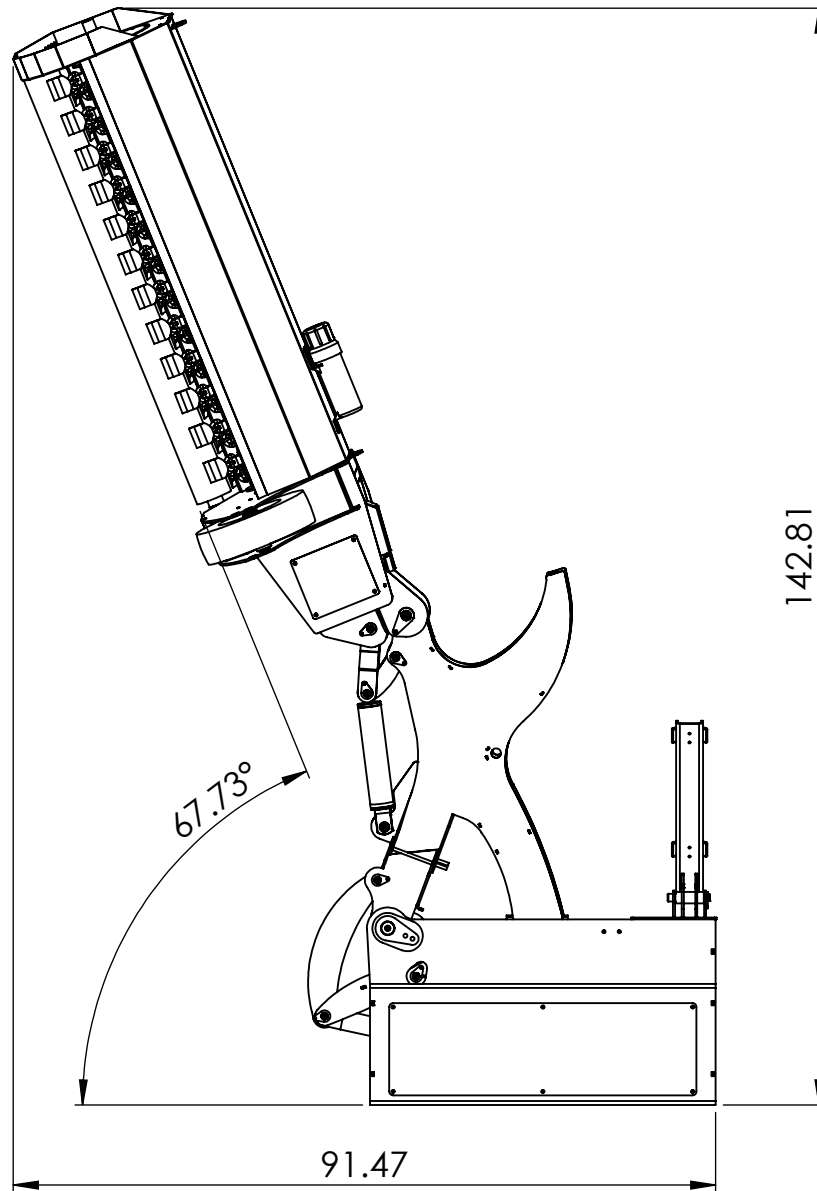
DO NOT SCALE DRAWING

SCALE: 1:25

SHEET 5 OF 8

SWA560

SWA560-Travel size



PROPRIETARY AND CONFIDENTIAL
 THE INFORMATION CONTAINED IN THIS DRAWING IS THE SOLE PROPERTY OF BAUMALIGHT. ANY REPRODUCTION IN PART OR AS A WHOLE WITHOUT THE WRITTEN PERMISSION OF BAUMALIGHT IS PROHIBITED.



Description

SWA560

Weight
lbs.

DATE
12-09-2017

DWG. NO.

REV
A

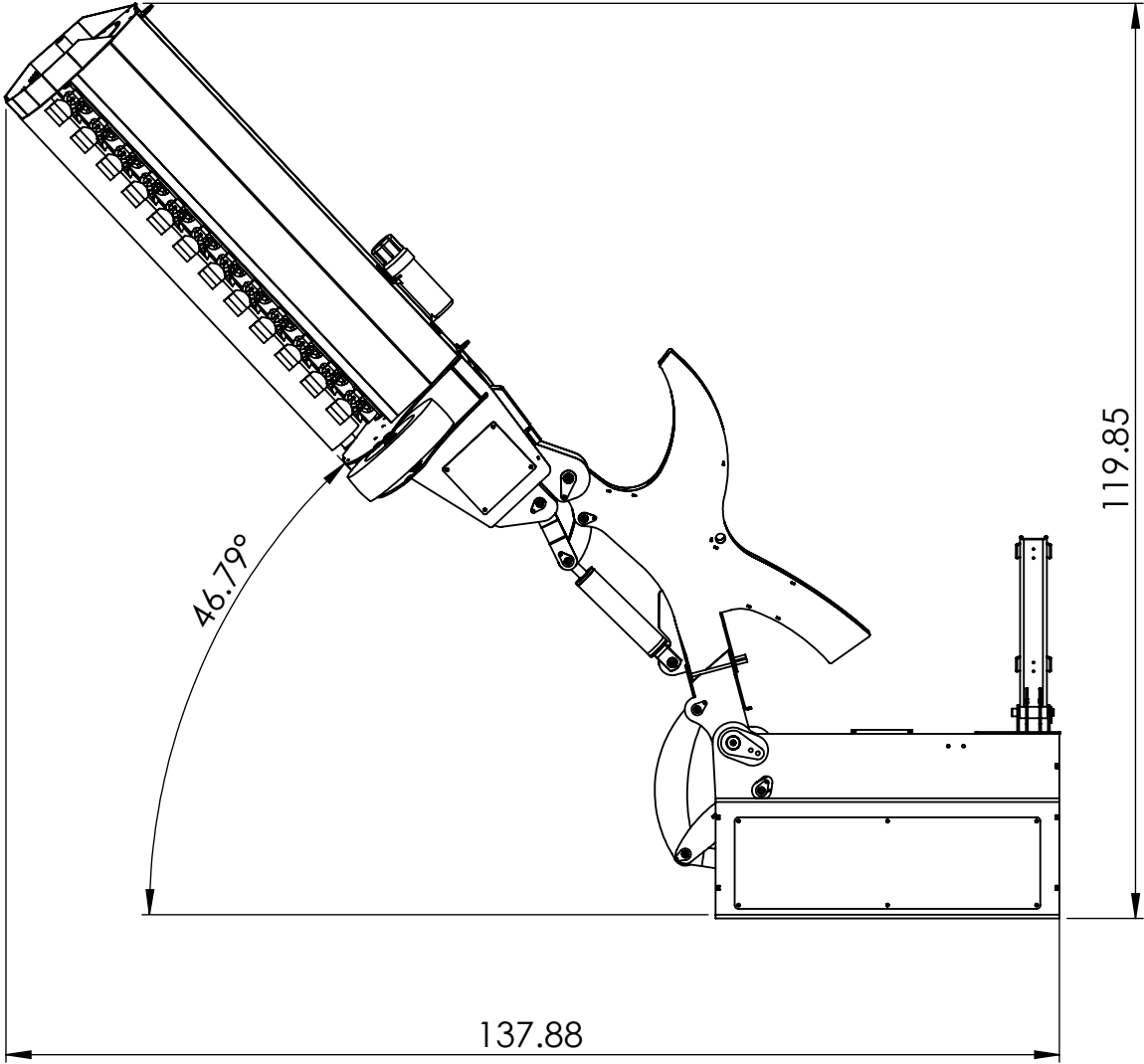
DO NOT SCALE DRAWING

SCALE: 1:25

SHEET 6 OF 8

SWA560

SWA560-Max angle up



PROPRIETARY AND CONFIDENTIAL
 THE INFORMATION CONTAINED IN THIS DRAWING IS THE SOLE PROPERTY OF BAUMALIGHT. ANY REPRODUCTION IN PART OR AS A WHOLE WITHOUT THE WRITTEN PERMISSION OF BAUMALIGHT IS PROHIBITED.



Description

SWA560

Weight
lbs.

DATE
12-09-2017

DWG. NO.

REV
A

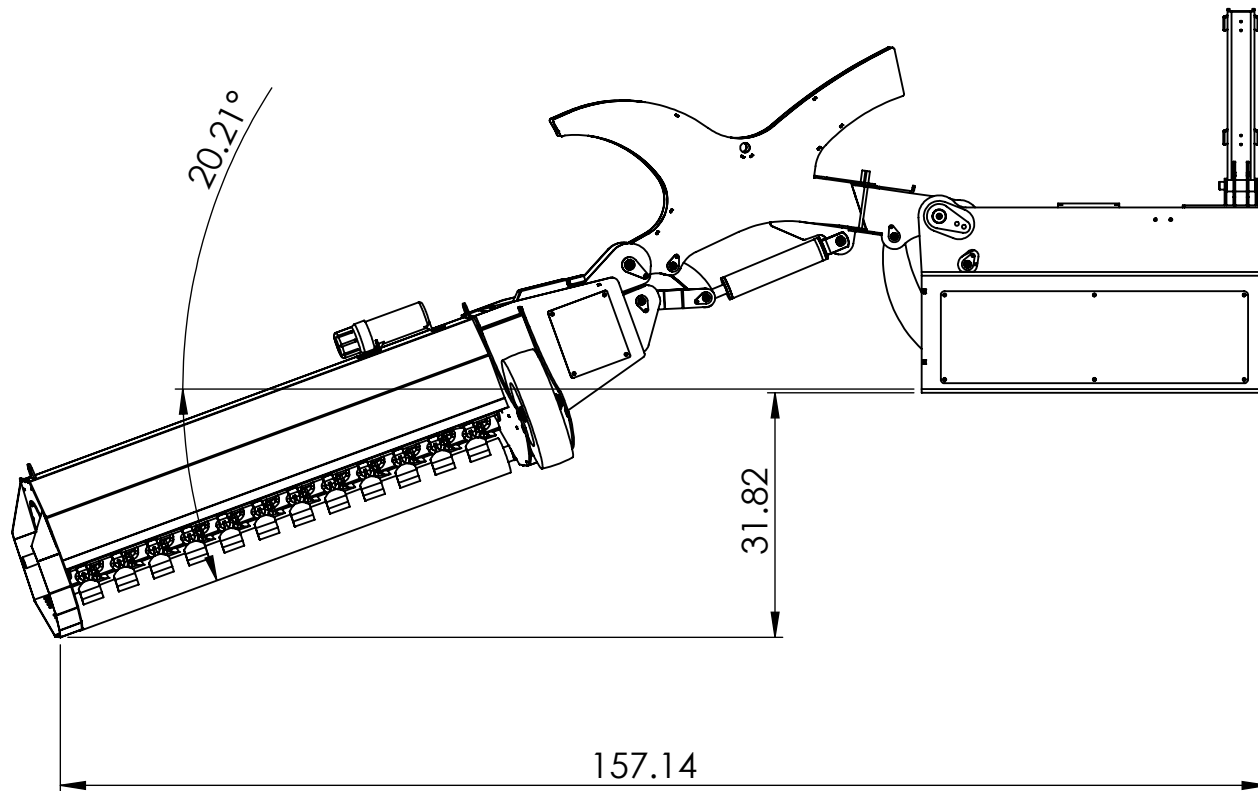
DO NOT SCALE DRAWING

SCALE: 1:25

SHEET 7 OF 8

SWA560

SWA560-Max angle down



PROPRIETARY AND CONFIDENTIAL
 THE INFORMATION CONTAINED IN THIS DRAWING IS THE SOLE PROPERTY OF BAUMALIGHT. ANY REPRODUCTION IN PART OR AS A WHOLE WITHOUT THE WRITTEN PERMISSION OF BAUMALIGHT IS PROHIBITED.



Description

SWA560

Weight
lbs.

DATE
12-09-2017

DWG. NO.

REV
A

DO NOT SCALE DRAWING

SCALE: 1:25 SHEET 8 OF 8

SWA560