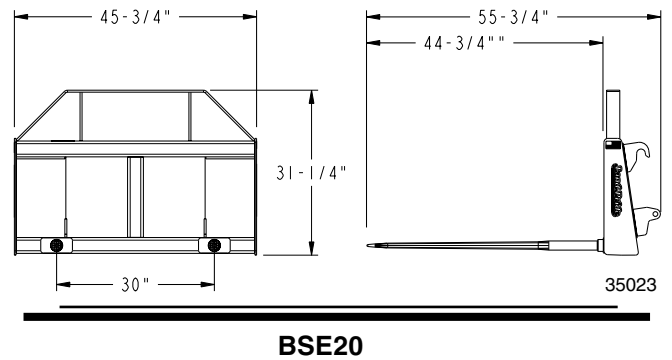
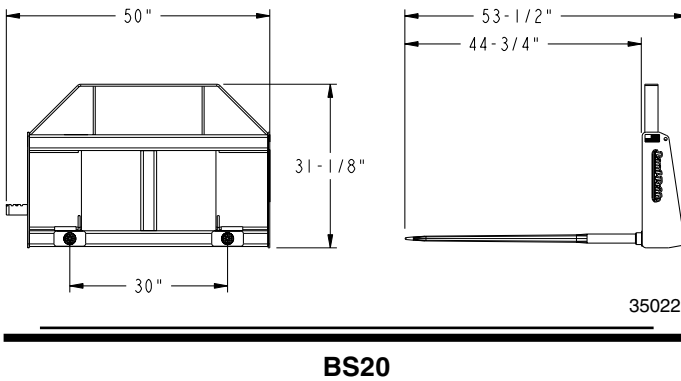
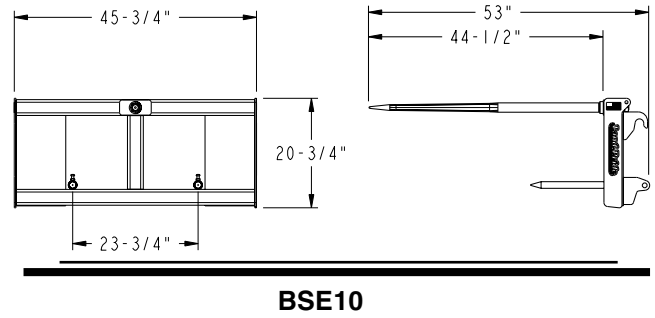
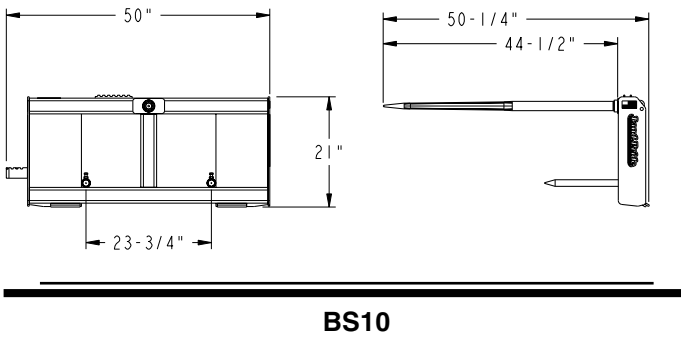


**Bale Spears**

**BS & BSE Series**

Description	BS10	BS20	BSE10	BSE20
Weight of Unit	156 lbs.	196 lbs.	168 lbs.	208 lbs.
Number of Spears	1	2	1	2
Lift Capacity	3,000 lbs. at 24" from face of frame			
Spears Probe Length Face of Frame to End of Point	44 1/2"	44 3/4"	44 1/2"	44 3/4"
Spears Diameter	1 3/4"			
Hitch Type	Skid Steer Hitch Type		Euro Hitch Type	



*Designs, specifications, features and information are subject to change without notice.*