



REAR DISCHARGE FINISH MOWER

BE-FM96RDHDG



OPERATIONS & PARTS MANUAL

FOR MODELS:
• BE-FM96RDHDG

PURCHASE DATE	MODEL NO.	SERIAL NUMBER
DEALER		

TABLE OF CONTENTS

3	Safety Information
9	Operation Instructions
12	Maintenance Instructions
17	Troubleshooting Guide
19	Exploded View & Parts List

TO THE COSTUMER

This manual contains valuable information about your new mower. It has been carefully prepared to give you helpful suggestions for operating, adjusting and servicing. Keep this manual in a convenient place for quick and easy reference. Study it carefully, only by proper care and operation can you expect to receive the service and long life designed and built into this mower.

It is the owner's and/or operator's responsibility to:

- Read and understand the information contained in this manual.
- Operate, lubricate, assemble and maintain the equipment in accordance with all instructions and safety procedures in this manual.
- Inspect the equipment and replace or repair any parts that are damaged or worn which could cause damage, wear to other parts or cause a safety hazard.

▲ SAFETY SIGNS

Keep safety signs clean and legible at all times.

Do not paint over, remove or deface any safety signs or warning signs on your equipment. Observe all safety signs and practice the instruction on them.

Replace safety signs that are missing or have become illegible.

Replaced parts that displayed a safety sign should also display the current sign.

Safety signs are available from your Distributor.

HOW TO INSTALL SAFETY SIGNS:

- Be sure that the installation area is clean and dry.
- Be sure temperature is about 50°F(10°C).
- Decide on the exact position before you remove the backing paper.
- Remove the smallest portion of the split backing paper.
- Align the sign over the specified area and carefully press the small portion with the exposed sticky backing in place.
- Slowly peel back the remaining paper and carefully smooth the remaining portion of the sign in place.
- Small air pockets can be pierced with a pin and smoothed out using the piece of sign backing paper.

EQUIPMENT SAFETY GUIDELINES

Safety of the operator is one of the main concerns in designing and developing a new piece of equipment. Designers and manufactures build in as many safety features as possible. However, every year many accidents occur which could have been avoided by a few seconds of thought and a more careful approach to handling equipment. You, the operator, can avoid many accidents by observing the following precautions in this section. To avoid personal injury, study the following precautions and insist those working with you, or for you, follow them.

In order to provide a better view, certain photographs or illustrations in this manual may show an assembly with a safety shield removed. However, equipment should never be operated in this condition. Keep all shields in place. If shield removal becomes necessary for repairs, replace the shield prior to use.

Never use alcoholic beverages or drugs which can hinder alertness or coordination while operating this equipment. Consult your doctor about operating this machine while taking prescription medications.

Review the safety instructions with all users annually. This equipment is dangerous to children and persons unfamiliar with its operation. The operator should be a responsible adult familiar with farm machinery and trained in this equipment's operations. Do not allow persons to operate or assemble this unit until they have read this manual and have developed a thorough understanding of the safety precautions and of how it works.

To prevent injury or death, use a tractor equipped with a Roll-Over Protective System (ROPS).

Never exceed the limits of a piece of machinery. If its ability to do a job, or to do so safely, is in question -DON'T TRY IT.

Do not modify the equipment in any way. Unauthorized modification may impair the function and/or safety and could affect the life of the equipment.

In addition to the design and configuration of this implement, including Safety Signs and Safety Equipment, hazard control and accident prevention are dependent upon the awareness, concern, prudence, and proper training of personnel involved in the operation, transport, maintenance, and storage of the machine. Refer also to Safety Messages and Operation Instructions in each of the appropriate sections of the Tractor and Mower Manuals. Pay close attention to the Safety Signs affixed to the Tractor and the Mower.

SAFETY TRAINING

Safety is a primary concern in the design and manufacture of our products. Unfortunately, our efforts to provide safe equipment can be wiped out by a single careless act of an operator.

In addition to the design and configuration of equipment, hazard control and accident prevention are dependent upon the awareness, concern, prudence and proper training of personnel involved in the operation, transport, maintenance and storage of equipment.

It is the operator's responsibility to read and understand ALL Safety and Operating instructions in the manual and to follow them. Accidents CAN be avoided.

Working with unfamiliar equipment can lead to careless injuries. Read this manual and the manual for your tractor before assembling or operating your mower, to acquaint yourself with the machines.

It is the finish mower owner's responsibility if this machine is used by any person other than yourself, to make certain that the operator, prior to operating:

1. Reads and understands the operator's manuals.
2. Is instructed in safe and proper use.

Know the controls and how to stop tractor, engine, and mower quickly in an emergency.

Read this manual and the one provided with your tractor.

Train all new personnel and review instructions frequently with existing workers. A person who has not read and understood all operating and safety instructions is not qualified to operate the machine, an untrained operator exposes himself and bystanders to possible serious injury or death.

Do not allow children to operate this machine.

PREPARATION

Never operate the tractor and mower until you have read and completely understand this manual, the Tractor Operator's Manual, and each of the Safety Messages found on the safety signs on the tractor and mower.

Personal protection equipment including hard hat, safety glasses, safety shoes, and gloves are recommended during assembly, installation, operation, adjustment, maintaining, repairing, removal, or moving the implement. Do not wear loose clothing, gloves, neckties, rings, bracelets, or other jewelry which may get caught in moving parts. Wear protective hair covering to contain long hair.

PROLONGED EXPOSURE TO LOUD NOISE MAY CAUSE PERMANENT HEARING LOSS!

Tractors with or without Mowers attached can often be noisy enough to cause permanent, partial hearing loss. We recommend that you wear hearing protection on a full-time basis if the noise in the Operator's position exceeds 80db. Noise over 85db on a long-term basis can cause severe hearing loss. Noise over 90db adjacent to the Operator over a long-term basis may cause permanent, total hearing loss. NOTE: Hearing loss from loud noise (from tractors, chain saws, radios, and other such sources close to the ear) is cumulative over a lifetime without hope of natural recovery.

Operate the mower only with a tractor equipped with an approved Roll-Over Protective System (ROPS). Always wear your seat belt on tractors equipped with a ROPS. Serious injury or even death could result from falling off the tractor - particularly during a turnover when the operator could be pinned under the ROPS or the tractor.

Clear area to be cut of stones, branches or other debris that might be thrown, causing injury or damage.

Operate only in daylight or good artificial light.

Ensure mower is properly mounted, adjusted and in good operating condition.

Make sure driveline spring-activated locking pin operates freely and is seated firmly in tractor PTO stub shaft groove.

Ensure that all safety shielding and safety signs are properly installed and in good condition.

OPERATIONAL SAFETY

The use of this equipment is subject to certain hazards which cannot be protected against by mechanical means or product design. All operators of this equipment must read and understand this entire manual, paying particular attention to safety and operating instructions, prior to using. If there is something in this manual you do not understand, ask your supervisor, or your dealer, to explain it to you.

Most accidents occur because of neglect or carelessness. Keep all helpers and bystanders at least several hundred feet from an operating rotary mower. Only properly trained people should operate this machine.

When this machine is operated in populated areas or in other areas where thrown objects could injure persons or property, standard equipment safety chain shielding (which is designed to reduce the possibility of thrown objects) must be installed. Operation must be stopped when anyone comes within 100 yards (300 feet).

The majority of accidents involve entanglement on the driveline, injury of bystanders by objects thrown by the rotating blades, and operators being knocked off the tractor by low hanging limbs and then being run over by the mower. Accidents are most likely to occur with machines that are loaned or rented to someone who has not read the owner's manual and is not familiar with a rotary mower.

Check the tractor master shield over the PTO shaft. Make sure it is in good condition and fastened securely to the tractor. Purchase a new shield if old shield is damaged or missing.

STARTING AND STOPPING SAFETY

Mower operating power is supplied from tractor PTO. Refer to your tractor manual for PTO engagement and disengagement instructions. Always operate the tractor PTO in the 540 rpm speed selection. **DO NOT OVER SPEED!** Know how to stop tractor and mower quickly in case of an emergency.

When engaging PTO, the engine RPM should always be low. Once engaged and ready to start cutting, raise PTO speed to approx. 540 RPM and maintain throughout cutting operation.

Always stop the tractor, set brake, shut off the tractor engine, remove the ignition key, lower implement to the ground and allow cutter blades to come to a complete stop before dismounting tractor. Never leave equipment unattended with tractor running or with implement in raised position.

STORAGE SAFETY

Following operation, or when unhooking, stop the tractor, set the brakes, disengage the PTO, shut off the engine and remove the ignition keys.

Store the unit in an area away from human activity.

Do not park equipment where it will be exposed to livestock for long periods of time. Equipment damage and livestock injury could result.

Do not permit children to play on or around the stored unit.

Make sure all parked machines are on a hard, level surface and engage all safety devices.

If blocking is used, make sure it is solid and secure before leaving area.

MAINTENANCE SAFETY

Make sure there is plenty of ventilation. Never operate the engine of the towing vehicle in a closed building. The exhaust fumes may cause asphyxiation.

Before working on this machine, drive to a level area, disengage the PTO, lower implement (or if working underneath, raise and block securely), shut off the engine, set the brakes, and remove the ignition keys.

Be certain all moving parts on attachments have come to a complete stop before attempting to perform maintenance.

Never work under equipment unless it is blocked securely. Never depend on hydraulic system to keep implement in raised position.

Keep all persons away from operator control area while performing adjustments, service, or maintenance.

Always use personal protection devices such as eye, hand and hearing protectors, when performing any service or maintenance.

Frequently check mower blades. They should be sharp, free of nicks and cracks and securely fastened.

Periodically tighten all bolts, nuts and screws and check that all cotter pins are properly installed to ensure unit is in a safe condition.

When completing a maintenance or service function, make sure all safety shields and devices are installed before placing unit in service.

After servicing, be sure all tools, parts and service equipment are removed.

Check to ensure all safety signs are installed and in good condition. (See safety sign section for location drawing.)

Do not allow grease or oil to build up on any deck or platform.

Where replacement parts are necessary for periodic maintenance and servicing, genuine factory replacement parts must be used to restore your equipment to original specifications. The manufacturer will not claim responsibility for use of unapproved parts and/or accessories and other damages as a result of their use.

If equipment has been altered in any way from original design, the manufacturer does not accept any liability for injury or warranty.

A fire extinguisher and first aid kit should be kept readily accessible while performing maintenance on this equipment.

TRANSPORT SAFETY

Comply with state and local laws governing highway safety and movement of farm machinery on public roads.

The use of flashing amber lights is acceptable in most localities. However, some localities prohibit their use. Local laws should be checked for all highway lighting and marking requirements.

When driving the tractor and equipment on the road or highway under 20 mph at night or during the day, use flashing amber warning lights and a slow-moving vehicle (SMV) identification emblem.

Always be sure the implement is in the proper raised position for transport.

Reduce speed when transporting mounted implements to avoid bouncing and momentary loss of steering control.

Plan your route to avoid heavy traffic.

Do not drink and drive!

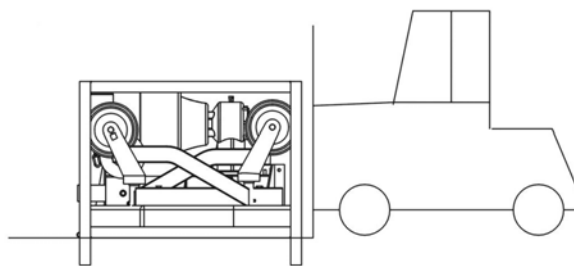
Watch for traffic when operating near or crossing roadways.

Use extreme care and maintain minimum ground speed when transporting on hillside, over rough ground and when operating close to ditches or fences. Be careful when turning sharp corners. Turn curves or go up or down hills only at a low speed and at a gradual steering angle. Make certain that at least 20% of the tractor's weight is on the front wheels to maintain safe steering. Slow down on rough or uneven surfaces, and loose gravel.

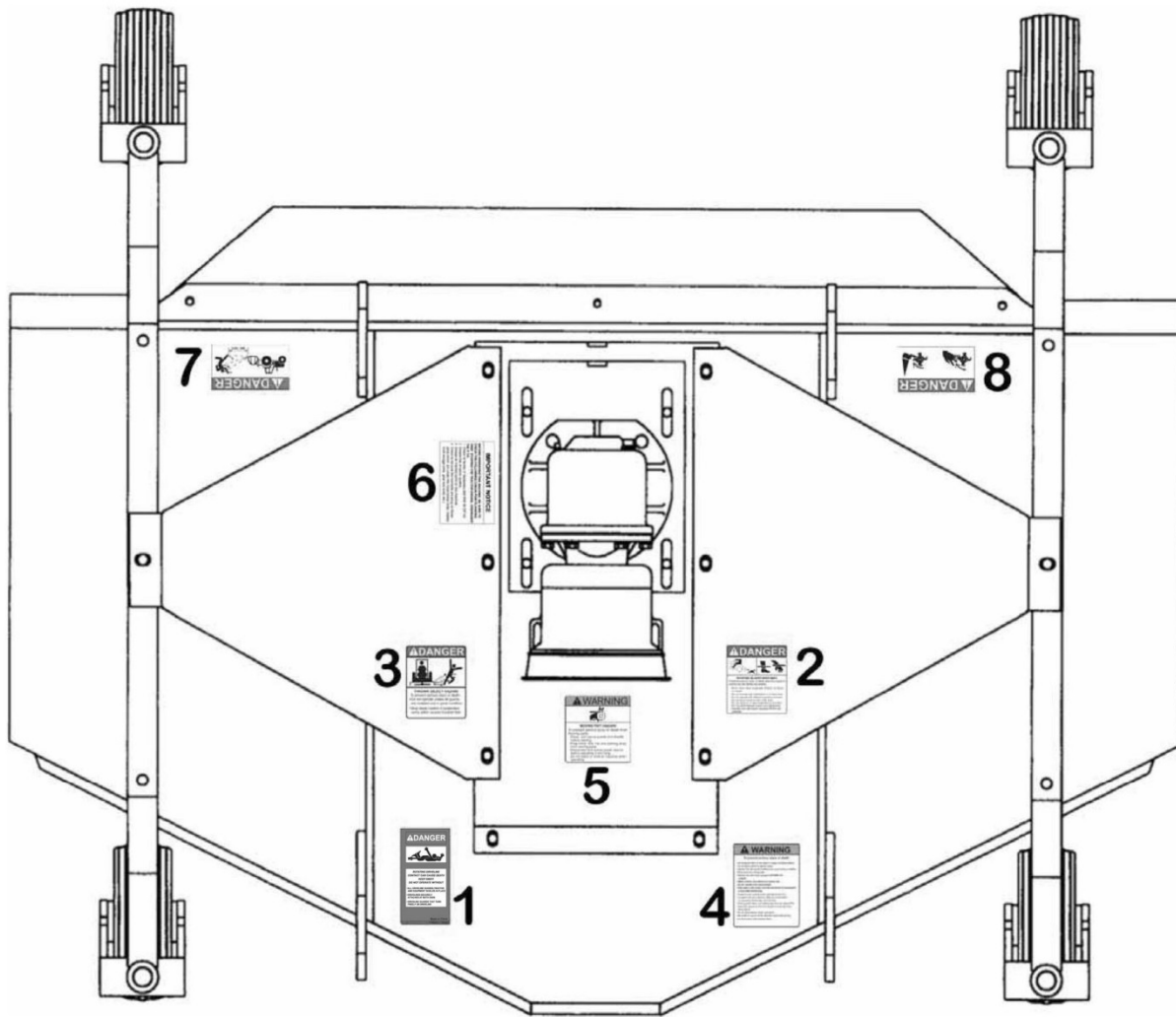
Never allow riders on either tractor or mower.

Be a safe and courteous driver. Always yield to oncoming traffic in all situations like narrow bridges and intersections.

CARRYING METHOD



SAFETY SIGN LOCATIONS



⚠ DANGER



**ROTATING DRIVELINE
CONTACT CAN CAUSE DEATH
KEEP AWAY!
DO NOT OPERATE WITHOUT**

- ALL DRIVELINE GUARDS, TRACTOR AND EQUIPMENT SHIELDS IN PLACE
- DRIVELINES SECURELY ATTACHED AT BOTH ENDS
- DRIVELINE GUARDS THAT TURN FREELY ON DRIVELINE

Made in China

1

⚠ DANGER



ROTATING BLADES-KEEP AWAY

To prevent serious injury or death when the engine is running and the blades are rotating.

- Never allow riders, especially children, on tractor or mower.
- Do not operate with bystanders in mowing area.
- Do not operate with deflectors/guards removed.
- Do not place hands or feet under deck.
- Do not stand on or near implement at any time.
- Do not stand between tractor and implements.
- Operate only with tractor equipped ROPS and seatbelts.

2

! DANGER



THROWN OBJECT HAZARD
To prevent serious injury or death:

- Do not operate unless all guards are installed and in good condition.
- Stop blade rotation if bystanders come within several hundred feet.

3

! WARNING

To prevent serious injury or death:

- Do not permit riders on the tractor or mower, including children.
- Do not allow children to operate mower.
- Operate only with guards installed and in good working condition.
- Keep away from moving parts.
- Operate only with tractor equipped with ROPS and seatbelts.
- Before mowing, clear debris from mowing area.
- Do not operate in the raised position.
- Stop engine, lower mower, set brake and wait for all moving parts to stop before dismounting.
- Support mower securely before working beneath unit.
- Transport with clean reflectors, 88FV and working lights as required by federal state, and local laws.
- Keep yourself, others, and clothing away from the rotating PTO.
- Keep other away from area to be mowed to avoid injury from flying objects.
- Do not stand between tractor and mower.
- Be careful on uneven terrain. Decrease speed when turning.
- Do not exceed a safe transport speed.

4

! WARNING



MOVING PART HAZARD
To prevent serious injury or death from moving parts:

- Close and secure guards and shields before starting.
- Keep hand, feet, hair and clothing away from moving parts.
- Disconnect and lockout power source before adjusting or servicing.
- Do not stand or climb on machine when operating

5

IMPORTANT NOTICE

BEFORE OPERATING THIS MACHINE, BE SURE TO CHECK THE FOLLOWING CHECK-POINTS (HAVING FIRST STOPPED THE TRACTOR ENGINE, DISENGAED THE P.T.O.)

1. Check oil levels (if necessary add SAE 90 EP oil)
2. Grease the driveline spiders.
3. Grease all marked point on the machine.
4. Check to be sure the nut/bolts are snug on those parts which are under the most stress (lines, blades, front linkage bolts, gear box bolts, etc.).

6

! DANGER



MIN. 160 ft.

7

! DANGER



8

OPERATION INSTRUCTION

The safe operation of this mower is the responsibility of the operator. The operator should be familiar with the machine, tractor and all safety practices before starting operation. This mower is designed for lawn and grass mowing. It is not designed for rough conditions or heavy mowing. The mower is equipped with suction type blades, which are best suited for lawn mowing.

Always operate tractor PTO at 540RPM.

This chapter provides information for attaching mower to tractor and preparing it for field operation.

Review this data prior to tractor hookup and operation.

TRACTOR PREPARATION

Do not install mower on a tractor over 40 HP.

WARNING

Do not operate tractor with less than 20% of its gross unballasted mass on the front wheels with the mower in the transport position.

WHEEL TREADS

Tractor wheel tread spacing should be increased when working on inclines or rough ground to reduce the possibility of tipping.

STABILIZER BARS AND SWAY BLOCKS

Use stabilizer bars or sway blocks to prevent side sway of the mower.

DRAWBAR

Shorten or remove the tractor drawbar so it will not interfere with the up and down movement of the mower.

WARNING

Do not get between tractor and mower when the engine is running.

ATTACHING THE MOWER TO TRACTOR (LIFT TYPE ONLY)

This mower is designed for tractors with 540 RPM and category I hitch. Back the tractor up to the mower so that the lower draft arms are in alignment with the mower lift pins. Stop the engine, lock the brakes or place the tractor in park. Connect the tractor and stabilizer bars to the lower lift pins.

Adjust the top link so it will pin to the top holes in the A-Frame or into the holes in the floating top link.

DANGER

Never allow children to operate, ride or come close to the mower or tractor. Usually, 15-16 year old children who are mature and responsible can operate the mower with reasonable safety if they have read the operator's manual, been trained in safe operation of the machine, and are physically large and strong enough to reach and operate the controls easily.

DRIVELINE ATTACHMENT TO TRACTOR

1. Slide yoke onto the tractor PTO shaft.
2. Move yoke back and forth until locking pin has engaged on the PTO shaft groove.

WARNING

When attaching the driveline yoke to the tractor PTO shaft, it is important that the spring activated locking pin seats properly in the tractor PTO shaft groove.

CUTTING HEIGHT ADJUSTMENT

⚠ WARNING

Avoid personal injury! Be sure tractor engine is off, that key is removed from ignition and allow blades to completely stop turning before dismounting to make adjustments.

Important: Avoid very low cutting heights. Striking the ground with the blades gives the most damaging shock loads a mower can encounter and will cause damage to it and the driveline.

1. Using the tractor, raise the mower off the ground and place supports underneath of it, so that it will not drift downwards while making adjustments or maintenance.
2. While supporting the wheel and yoke assembly off the ground, remove the snapper pin from the top of the gauge wheel spindle. Position the supplied spacers as required for achieving the desired cutting height.

TRACTOR REQUIREMENTS AND PREPARATION

This Finishing Mower is designed for light duty cutting such as lawn maintenance with a Category I, 3 pt. hitch and with a 540 rpm PTO. This mower is not designed for tractors over 40 horsepower.

The PTO must be in good working condition.

It is recommended that only tractors with wide front axles be used with this cutter. Tricycle front wheel arrangements are inherently unstable and tractor rollover accidents are more likely to occur.

Tractor wheel tread spacing should be increased when working on inclines or rough ground to reduce the possibility of tipping.

The tractor also needs lift arm stabilizer bars or sway blocks to control side movement of the cutter.

Check the tractor's 3 pt. hydraulic lift system. Refer to your tractor operator's manual or dealer for any adjustments necessary to put the hydraulic system in good working order.

Be sure tires and rims are in good condition. Inflate tires to the proper recommended air pressure.

Check the tractor master shield over the PTO shaft. Make sure it is in good condition and fastened securely to the tractor. Purchase a new shield if old shield is damaged or missing.

It is recommended that a ROPS (Roll-Over Protection System) and a seat belt be installed on all tractors. Contact your local dealer for a ROPS for your tractor.

⚠ CAUTION

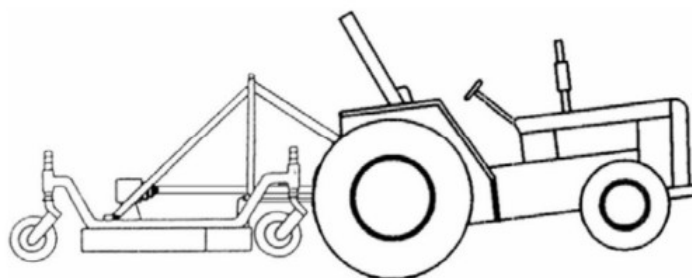
Be sure your tractor is in good condition. Read all the safety precautions and make sure all tractor operators are familiar with the safety rules of operation.

The operator is responsible for the safe operation of this mower. The operator must be properly trained. Operators should be familiar with the mower and tractor and all safety practices before starting operation. Read the safety rules and safety signs before operation.

Recommended mowing speed for most conditions is from two to five mph.

⚠ WARNING

When using the unit, a minimum 20% of tractor and equipment weight must be on tractor front wheels. Without this weight, tractor could tip up, causing possible loss of control and possible personal injury or death. The weight may be attained with a front end loader, front wheel weights, ballast in tires or front tractor weights. When attaining a minimum 20% of tractor and equipment weight on the front wheels, you must not exceed the ROPS weight certification. Weigh the tractor and equipment. **DO NOT GUESS OR ESTIMATE!**



⚠ WARNING

A heavy load can cause instability in driving a tractor. Make sure the front of the tractor is properly counterbalanced with weights. Always drive slowly - especially around turns. An unstable tractor could steer badly and possibly tip over, causing injury or death.

⚠ DANGER

For non-agricultural applications, OSHA, ASAE SAE and ANSI standards require the use of chain guards, deflectors or solid skirts at all times. The mower manufacturer strongly recommends the use of chain guards, rubber belting or solid skirts for agricultural applications as well, to reduce the risk of property damage, serious bodily injury or even death from objects thrown or from contact with the cutting blades.

Front, rear, left and right are determined by the normal direction of travel, the same as when driving an automobile.

STARTING AND STOPPING MOWER

The power required for operating the mower is supplied via the tractor PTO. Refer to your tractor's manual for instructions on engaging and disengaging the PTO.

1. Always engage the PTO at low engine RPM.
2. Operate the mower at 540 RPM PTO speed. Do not exceed 540 RPM PTO speed.
3. In case of emergency, you must learn how stop the tractor and mower quickly.

Important: Stop cutter and tractor immediately upon striking an obstruction. Inspect the mower and repair any damage before resuming operation. Do not disengage PTO when the engine is at full PTO RPM. Always bring the tractor engine to idle speed before disengaging the PTO.

⚠ WARNING

Avoid personal injury! When attempting to stop a tractor which does not have a live PTO, the momentum created by the blades of a mower can cause the tractor to be pushed forward. Do not operate this mower unless the tractor has a live or independent PTO. To start operation, reduce engine speed and engage the tractor PTO. Before starting to cut, gradually increase the engine speed to develop full PTO speed. Enter the area to be cut with the cutter operating at PTO speed and, if it becomes necessary to temporarily regulate engine speed during operation, increase or decrease the speed gradually. To transport the mower, disengage the PTO and raise to full transport height.

CUTTING SPEED

Proper ground speed for cutting will depend upon the height, type, and density of the grass to be cut.

Normally, ground speed will range from 1.5 to 3 MPH. Tall dense grass should be cut at low speeds, while thin medium height grass can be cut at faster ground speeds.

CUTTING TIPS

Always operate the PTO at the recommended RPM when cutting. This is necessary for correct blade speed, which creates a clean and even grass cut. Under certain conditions the tractor tires may roll some grass blades down and prevent them from being cut at the same height as the surrounding area. If this occurs, reduce the tractor ground speed, but maintain 540 RPM PTO speed. The lower ground speed will allow grasses to be at least partially rebound and cut. Taking a partial cut and/or reversing the direction of travel may also produce a cleaner cut. When people are passing by the area you are cutting, stop the cutting until the area has been cleared.

Although the mower is shielded to prevent objects from being thrown by the blades, no shielding device is 100% effective. The mower operator has greater knowledge of the hazards created by the machine than people on the street. Therefore, he must take every precaution possible when other people are around.

⚠ WARNING

Avoid personal injury! Pick up all rocks and other debris before cutting. Enter new cutting areas carefully. Cut material higher the first time to allow the mower to clear unseen or hidden objects. Never assume that a cutting area is clear. Always check carefully.

Extremely tall grass should be cut in two stages. First, raise the mower above the desired cutting height and cut the grass in one direction. Second, adjust the mower to the desired cutting height and cut in a perpendicular (90 degree) direction from the first cut.

Before cutting analyze the area to determine the best cutting procedure. One must consider the grass

height, its type and the terrain relief.

Grass is best cut when it is dry. Mowing wet grass can cause plugging, which results in grass clumps behind the mower.

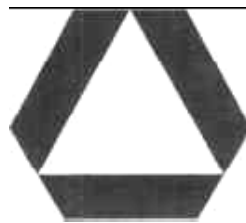
DETACHING AND STORING

Lower the mower to the ground. Park the tractor with transmission in the correct gear (Automatic transmissions should be set on Park; Standard transmissions should be set on Neutral). Set the parking brake, turn off the engine and remove the keys from the ignition. Wait until the PTO stops rotating completely before dismounting the tractor. Disconnect the driveline from the tractor PTO

and store it to prevent contact from the ground and away from excessive moisture. Always reinstall or lower into position the tractor PTO master shield. This shield should always remain in place except when connecting or disconnecting the driveline.

BEFORE OPERATING OR TRANSPORTING THE MOWER

Always display the SMV (slow moving vehicle) symbol on the rear of the tractor that transports the mower. The SMV symbol should be clearly visible to vehicles overtaking the tractor transporting the mower. Prominent display of this symbol will help the operator avoid accidents which could cause injury or possibly death. See figure as below.



MAINTENANCE INSTRUCTIONS

Before operating the mower, make sure that it is properly lubricated and thoroughly inspected.

Only a minimum of time and effort is required to regularly lubricate and maintain it. Following a regular program will provide long life and trouble free operation.

⚠ WARNING

Always disengage the tractor PTO before raising the mower for transport or making adjustments.

LUBRICATION

Do not let excess grease collect on or around parts, particularly when operating in sandy areas.

The illustration below shows the location of all the lubrication fittings. Use a multi-purpose grease for all the locations. Be sure to clean the grease fitting before applying any grease. Daily lubrication of the driveline U-joints is necessary. Failure to maintain proper lubrication will result in premature wear and damage to the U-joints, gearbox and/or driveline.



Gauge Wheel Pivots
Every 8hours or daily



Blade Spindle
Every 8hours or daily

Lubrication intervals shown are for mowers operating under normal conditions. Severe or unusual conditions may require more frequent lubrication.

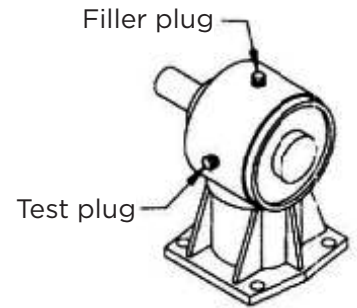
GEARBOX LUBRICATION

The gearbox must be filled with SAE 90 EP oil before operating.

To fill gearbox to the correct operating level:

1. Place the mower on an even and leveled surface.
2. Remove filler and test level plug (See figure below for location of plugs).
3. Add oil through the filler plug until it starts running out of the test plug.
(Pour oil slowly to make sure that the lower portion of the gearbox housing has been filled).
4. Screw the test and filler plugs back in their corresponding places.

It is recommended that the oil level plug be removed after every 8-10 hours of operation and oil added until it runs out of the test plug hole. The filler plug hole and test plug hole are both located on the back of side of the gearbox.

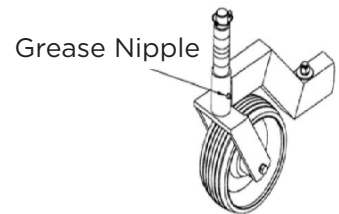


Note:

1. It is recommended that the test plug be removed after every 8-10 hours of operation, and oil added to the proper fill level if required.
2. Do not overfill the gearbox with oil. This will result in pressure build up inside the unit, which can cause the oil seals to leak.
3. If the gearbox suddenly starts making an unusual noise, stop at once, check for oil leaks and refill it as required.

GAUGE WHEEL ASSEMBLIES

The gauge wheels are equipped with bearings which require grease regularly. Grease fittings are provided in the gauge wheel pivot. It is recommended that these be lubricated after every 8 hours of operation.

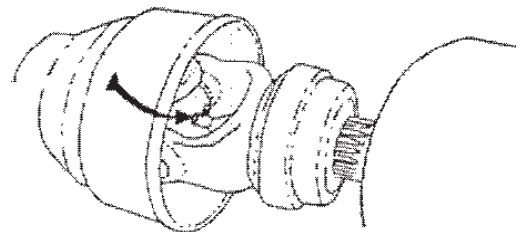


DRIVELINE LUBRICATION

Grease fittings are located on the cross and bearing kit assemblies of both U-joints. U-joints should be greased after every 8 hours of operation. See figure below for the location of the grease fittings.

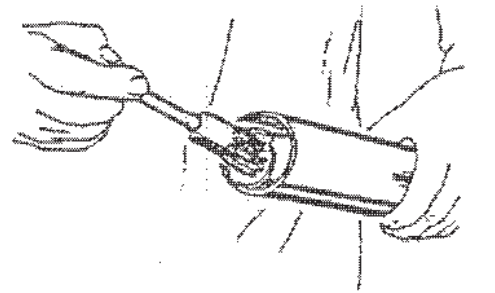
Do not force grease through the needle bearing cup assemblies.

The metal telescoping drive tubes inside the plastic shield tubes must be lubricated before each use. See figure below.



Disconnect the driveline from the tractor and pull halves apart (do not disconnect the driveline that is attached to the mower gearbox). Insert grease into drive tube and spread it evenly. Reconnect the two driveline halves together. Reconnect the driveline to the tractor PTO, raise and lower the mower

several times so that the grease just applied spreads over the entire working area of the drive tubes.



⚠ WARNING

When attaching the driveline yoke to the tractor PTO shaft, it is important that the spring activated locking pin is seated on the PTO shaft groove. A loose yoke could slip off and result in personal injury or damage to the mower.

BLADE SPINDLE LUBRICATION

Blade spindles must be lubricated after every 8 hours of operation. Each spindle is supplied with a grease fitting, which are positioned together on top of deck, and there are tubes leading the oil into the bearing hub, and it must be lubricated sufficiently. Do not force large amounts of grease on the spindles, as it may get on the drive belts.

BLADE SERVICING

Use only correct specified blades on your mower. They are manufactured of special heat-treated alloy steel. Substitute blades may not meet specifications and may fail in a hazardous manner, which could cause injury.

BLADE REMOVAL AND INSTALLATION



Place the machine at a comfortable height and lock it in position with sufficient support to guarantee the operator's safety.

Prevent the blade rotating by locking the shaft with a wrench (the shaft is designed for this with two flat areas immediately above the blade).

Unscrew the nut (ref. #1, figure above) and remove the blade.

Check the state of wear of the shaft and the nut and, if necessary, replace them.

To install the blade, place the blade and washer on the spindle shaft and screw the nut on fully and tighten securely, keeping the shaft locked at the same time as described above.

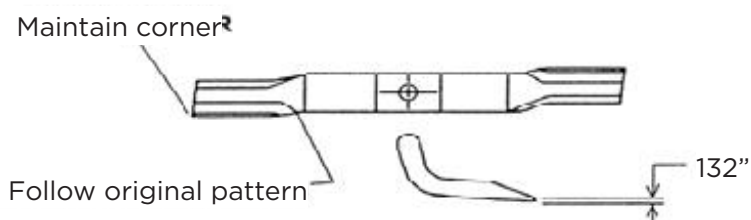
Note: Always wear heavy leather gloves while tightening blade bolts.

BLADE SHARPENING

To maintain a proper blade balance, always sharpen both ends of the blade equally. Follow the sharpening pattern as shown in figure below. Do not sharpen the blades to a razor edge, but leave a 1/32" blunt edge. Never sharpen the back side of the blades.

⚠ WARNING

Avoid personal injury! Always support or block the mower when servicing the blades, carrier or any other component on the underside of the deck.



Hold the end of the blade using heavy leather gloves.

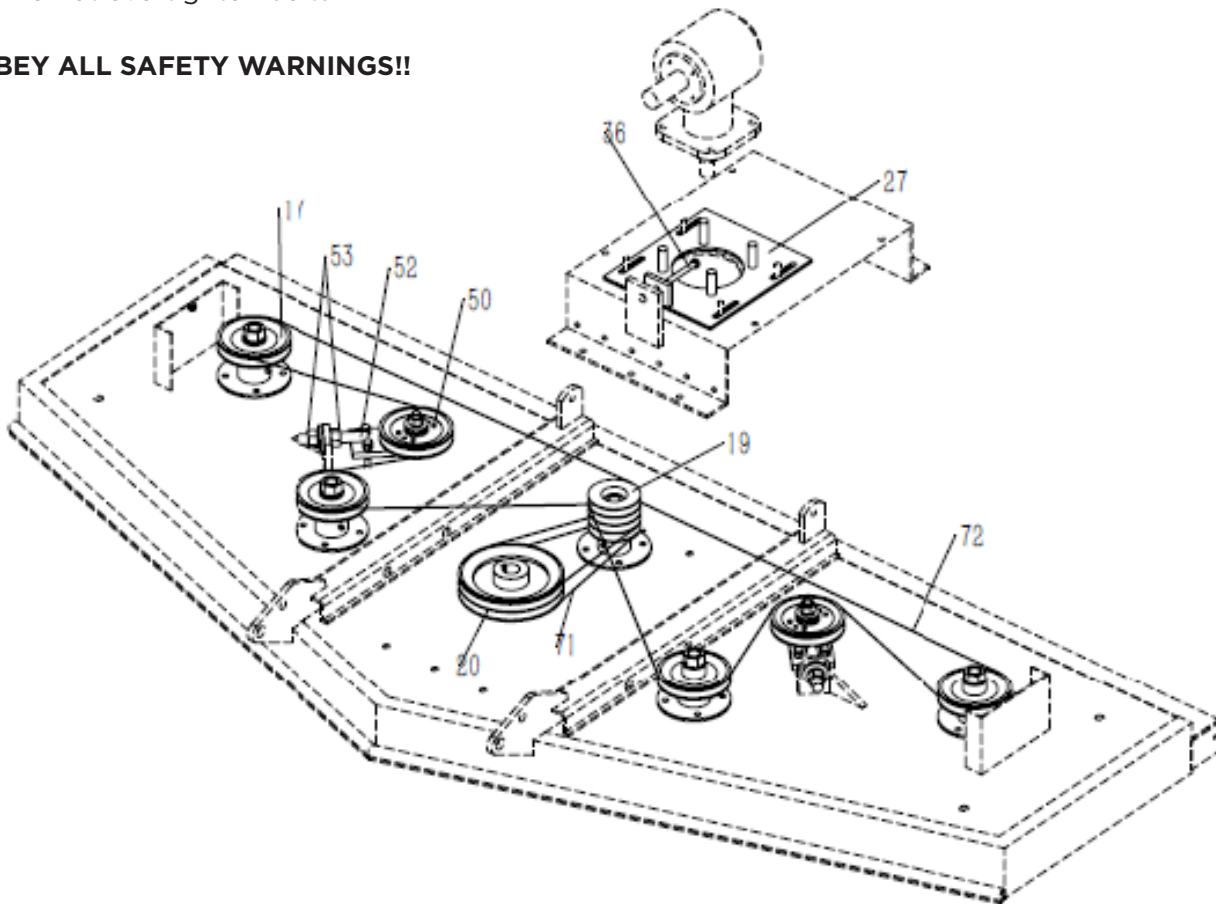
DRIVE BELT ADJUSTMENT #71

1. Shut off mower and tractor.
2. Loosen all four nuts on the #27 gearbox slide plate.
3. Loosen jam nut on the tension adjustment bolt #36.
4. Tighten and loose the adjustment bolt #36 to adjust the #71 belt.
5. Do not overtighten belts!
6. Tighten jam nut and nuts on gearbox slide plate when finished adjusting.

DRIVE BELT ADJUSTMENT #72

1. Shut off mower and tractor.
2. Loosen the #53 bolt to drive the #52 mounting plate so as to adjust the #50 pulley.
3. Through adjusting the #50 pulley to loosen or tighten the #72 belt.
4. Do not overtighten belts!

OBEY ALL SAFETY WARNINGS!!



DRIVE BELT REMOVAL AND INSTALLATION

1. Shut off mower and tractor.
2. Remove drive belt shield fasteners and belt shields.
3. Loosen gearbox slide plate bolts and gearbox adjustment bolt.
4. Slide gearbox to its forward most position.
5. Slide belts under the gearbox sheave and over the center spindle sheave.
6. Make sure that right hand belt is in the lower groove of the gearbox sheave and that the left hand belt is in the upper groove.
7. Slide the gearbox back to the full rear position and adjust according to the belt adjustment procedure described above.

STORAGE

Your mower represents an investment from which you should get the greatest possible benefit and use. Therefore, when the cutting season is over, the mower should be thoroughly checked and prepared for storage so that a minimum amount of work will be required to put it back into operation for the next season.

We suggest the following storage procedures:

1. Thoroughly clean the mower.
2. Lubricate the mower as recommended in the maintenance section of this manual.
3. Tighten all bolts and pins to the recommended torque.
4. Check the mower for worn or damaged parts and replace them.
5. Store the mower in a clean, dry place with the deck resting on blocks.
6. Use spray touch up enamel where necessary to prevent rust and maintain its appearance

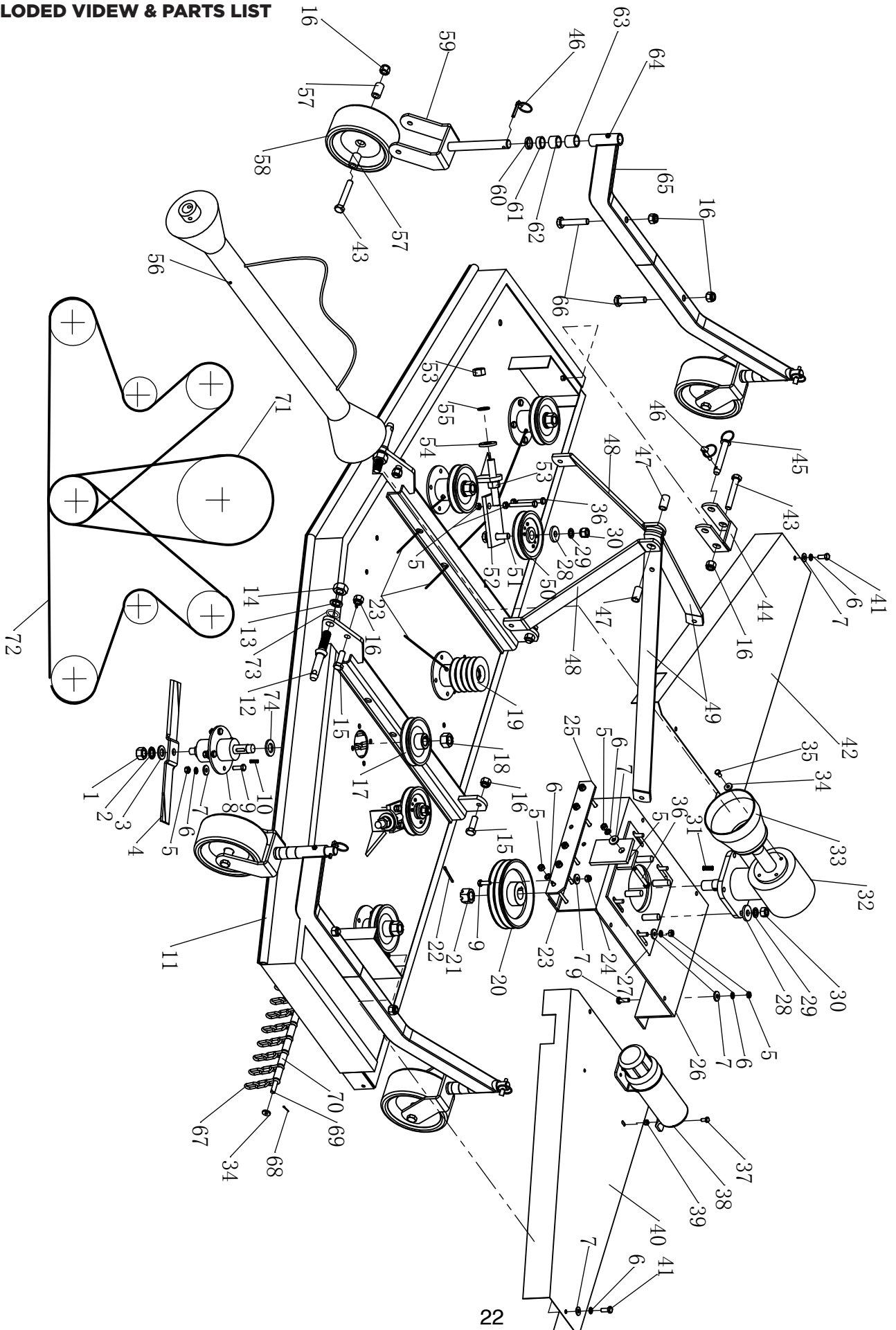
TROUBLESHOOTING

PROBLEM	POSSIBLE CAUSE	POSSIBLE REMEDY
Streaking	<ol style="list-style-type: none"> 1. Slow blade tip speed 2. Worn blade tips 3. Dull blades 4. Blades unable to cut the part of grass pressed down by tractor's tire path or mower's casters 5. Mowing too fast 6. Drive belt loose 7. Belt glazed/slipping 8. Blade loose on spindle 9. Conditions too wet for mowing 	<ol style="list-style-type: none"> 1. Operate PTO at 540 RPM. 2. Replace with correct specified blades. 3. Sharpen blades uniformly. 4. Slow tractor's ground speed but maintain 540 RPM PTO speed. 5. Slow down until cured. 6. Tighten per instructions on maintenance section in this manual. 7. Apply belt dressing or replace it with a correct specified belt. 8. Tighten blade nut securely. 9. Allow grass to dry before mowing.
Grass discharges from mower unevenly or bunches along a swath	<ol style="list-style-type: none"> 1. Grass is too high and too coarse 2. Belt slipping 3. Grass is wet 	<ol style="list-style-type: none"> 1. Slow tractor's ground speed but maintain 540 RPM PTO speed. Raise the mower for the first pass and lower to the desired cutting height for the second and cut at 90 degrees to the first pass. Raise the rear of mower high enough to allow the grass to discharge, but not too high for streaking to occur. 2. Tighten belt or replace with a correct specified belt. 3. Allow grass to dry before mowing. Slow tractor's ground speed but maintain 540 RPM PTO speed. Cut the grass at a lower height.
Damaged Belt	<ol style="list-style-type: none"> 1. Rollover, high shock loads or installation damage 	<ol style="list-style-type: none"> 1. Replace it with correct specified belt
Heavy vibration	<ol style="list-style-type: none"> 1. Blade speed is too fast 2. Broken/bent blade 3. Worn/unbalanced blade 4. Bent/broken sheave 5. Debris caught on blade 	<ol style="list-style-type: none"> 1. Do not exceed 540 RPM PTO speed. 2. Replace with correct specified blade. 3. Grind blade uniformly or replace. 4. Replace with correct specified part. 5. Clean o blade.
Belt Breakage	<ol style="list-style-type: none"> 1. High shock loads 	<ol style="list-style-type: none"> 1. Avoid hitting ground and large obstructions with the mower. 2. Check sheave for proper alignment and foreign material. Ensure proper belt tension. Avoid hitting the ground and large obstructions with the mower.
Belt rollover	<ol style="list-style-type: none"> 1. Damaged belt 2. Foreign object in sheave groove 3. Worn sheave groove 	<ol style="list-style-type: none"> 1. Replace it with correct specified belt. 2. Inspect all sheave grooves for rust, paint or other foreign material. Remove these if present. 3. Replace with correct specified sheave.
Blade is scraping ground	<ol style="list-style-type: none"> 1. Mower too low 2. Field is ridged 3. Field is too wet 	<ol style="list-style-type: none"> 1. Raise mower - reset wheels. 2. Cut field at a different angle. 3. Stop and wait until is dried.

PROBLEM	POSSIBLE CAUSE	POSSIBLE REMEDY
Belt Slipping	<ol style="list-style-type: none"> 1. Belt loose 2. Belt glazed 3. Oil on belt 4. Mower is overloading, grass is too tall or heavy 5. Oil on belt from over lubrication 6. Belt hung or rubbing 	<ol style="list-style-type: none"> 1. Tighten or replace with correct specified belt. 2. Use belt dressing or replace it. 3. Clean or replace. 4. Slow tractor's ground speed but maintain 540 RPM PTO speed. Cut grass twice. Raise the mower for the first pass and lower to the desired cutting height for the second and cut at 90 degrees to the first pass. Cut a partial swath only. 5. Clean lubricant from belt and sheaves with a clean rag. Replace oil soaked belts. Be sure to follow operator's manual recommendations. 6. Check belt for free travel in sheaves. Check under mower deck and spindles for debris or other foreign material and remove if any is present.
Gearbox overheating	<ol style="list-style-type: none"> 1. Low on lubricant 2. Improper type lubricant 3. Excessive trash build-up around gearbox. 	<ol style="list-style-type: none"> 1. Fill to proper level. 2. Replace with proper lubricant. 3. Remove trash.
Gearbox leaking	<ol style="list-style-type: none"> 1. Damaged oil seal 2. Bent shaft 3. Shaft rough in oil seal area 4. Oil seal installed wrong 5. Oil seal not sealing in the housing 	<ol style="list-style-type: none"> 1. Replace seal. 2. Replace oil seal and shaft. 3. Replace or repair shaft. 4. Replace seal. 5. Replace seal or use a sealant on outside diameter of seal. 6. Drain oil to proper level. 7. Replace gearbox 8. Replace gasket 9. Tighten bolts.
Gearbox noisy	<ol style="list-style-type: none"> 1. Worn bearings 2. Low oil in gearbox 	<ol style="list-style-type: none"> 1. Replace bearing 2. Check level and add oil
Blades wear too fast	<ol style="list-style-type: none"> 1. Cutting in sandy conditions 2. Cutting in rocky conditions 3. Blades hitting ground 	<ol style="list-style-type: none"> 1. Increase cutting height. 2. increase cutting height, remove rocks. 3. Increase cutting height.
Mower seems to require excessive power.	<ol style="list-style-type: none"> 1. Advancing into grass too rapidly 2. Hitting ground. 3. Worn or dull blades. 4. Tractor not large enough 5. Grass wet 6. Grass too tall and heavy 	<ol style="list-style-type: none"> 1. Reduce forward travel speed 2. Raise mower and reset wheels. 3. Sharpen or replace blades. 4. Use larger horsepower tractor 5. Allow grass to dry before mowing. 6. Slow ground speed of tractor but, keep engine running at full PTO RPM. Make two passes, raise mower for first pass and lower for second pass.
Mower moves from side to side when cutting.	<ol style="list-style-type: none"> 1. Loose tractor sway chains, bars or sway blocks improperly installed. 	<ol style="list-style-type: none"> 1. Adjust sway chains, bars or sway blocks.

Note: Since the oil heats, the gearbox may reach a rather high temperature during work and its out surface may become "hot" to touch. This is normal and will cause no damage. It is, however important to always check that the oil is at the correct level and of the indicated type.

EXPLODED VIEW & PARTS LIST



PARTS LIST

REF	PART NO.	DESCRIPTION	QTY
1	500001	Hex Nut M18x1.5	5
2	500002	Lock Washer ø18	5
3	500003	Flat Washer ø18	5
4	500004	Cutting Blade 510x50x6	5
5	500005	Hex Nut M10	42
6	500006	Lock Washer ø10	39
7	500007	Flat Washer ø10	37
8	500008	Bearing Holder	5
9	500009	Hex Bolt M10x30	26
10	500010	Round End Key 8x7x30	5
11	500011	Main Deck	1
12	500012	Hitch Bolt M22	2
13	500013	Lock Washer ø22	2
14	500014	Hex Nut M22	2
15	500015	Hex Bolt M16x45	4
16	500016	Lock Nut M16	13
17	500017	Single Belt Pulley	4
18	500018	Hex Nut M24x1.5	5
19	500019	Four Groove Belt Pulley	1
20	500020	Double Belt Pulley	1
21	500021	Castle Nut M24	1
22	500022	Cotter Pin ø5x50	1
23	500023	Oil Filling Pipe For Spindle	5
24	500024	Lock Nut M10	3
25	500025	Mounting Plate For Grease Nipple	1
26	500026	Gearbox Rest	1
27	500027	Sliding Plate For Gear Box	1
28	500028	Flat Washer ø16	6
29	500029	Lock Washer ø16	6
30	500030	Hex Nut M16	6
31	500031	Round End Key 10x8x30	1
32	500032	Gearbox 45hp	1
33	500033	Safety Guard	1
34	500034	Flat Washer ø8	6
35	500035	Hex Bolt M8x12	4
36	500036	Hex Bolt M10x80	5
37	500037	Hex Bolt M8x16	2

REF	PART NO.	DESCRIPTION	QTY
38	500038	Manual Holder	1
39	500039	Lock Nut M8	2
40	500040	R.H. Belt Guard	1
41	500041	Hex Bolt M10x25	6
42	500042	L.H. Belt Guard	1
43	500043	Hex Bolt M16x100	5
44	500044	Upper Hitch	1
45	500045	Pin	1
46	500046	Lynch Pin ø6	5
47	500047	Upper bushing ø25x4x16	2
48	500048	Front Brace	2
49	500049	Rear Brace	2
50	500050	Adjusting Belt Pulley	2
51	500051	Hex Bolt M16x70	2
52	500052	Mounting Plate For Adjusting Belt Pulley	2
53	500053	Hex Nut M20	4
54	500054	Flat Washer ø20	2
55	500055	Lock Washer ø20	2
56	500056	PTO Shaft	1
57	500057	Bushing For Wheel Axle	8
58	500058	Wheel	4
59	500059	Wheel Fork	4
60	500060	Wheel Spacer 6mm	4
61	500061	Wheel Spacer 12mm	4
62	500062	Wheel Spacer 24mm	4
63	500063	Wheel Spacer 30mm	4
64	500064	Grease Nipple M8x1	4
65	500065	Wheel Arm	2
66	500066	Hex Bolt M16x85	4
67	500067	Chain ø6x3 links	65
68	500068	Cotter Pin ø2.5x25	2
69	500069	Chain Rod ø8	1
70	500070	Spacer Sleeve	63
71	500071	V-Belt, Shorter VB914	2
72	500072	V-Belt, Longer VB2591	2
73	500073	Flat Washer ø22	2
74	500074	Flat Washer ø26	5



BRABEREQ.COM
WGSALES@BRABEREQ.COM

PHONE: 604-850-7770
FAX: 604-850-7774
TOLL FREE PHONE: 1-877-588-3311
TOLL FREE FAX: 1-800-665-7334