



Accessories for ECHO products can be found at:

Los accesorios para los productos ECHO se pueden encontrar en:

www.echo-usa.com/products/catalogs

OPTIONAL ACCESSORIES & ATTACHMENTS:

155 DIA, CROSS-FIRE® (50 COUNT / 21" STRIPS)	102225155
175 DIA, CROSS-FIRE®(50 COUNT / 21" STRIPS)	102225175
155 DIA, CROSS-FIRE®(3 LB. SPOOL)	314155056
175 DIA, CROSS-FIRE®(3 LB. SPOOL)	314175057
155 DIA, CROSS-FIRE®(1 LB. DONUT)	311155066
175 DIA, CROSS-FIRE®(1 LB. DONUT)	311175067
KIT, PRO-LINE HEAD	99944400000
KIT, NO SPARK MOW BALL	99944400001
KIT, SPARK ARRESTER HONDA	YH460000170

PARTS CATALOG

**WT-1610HSP
Wheel Trimmer**



160 cc

SERIAL NUMBER
NÚMERO DE SERIE

120WTH000001 - 120WTH999999

ECHO Incorporated

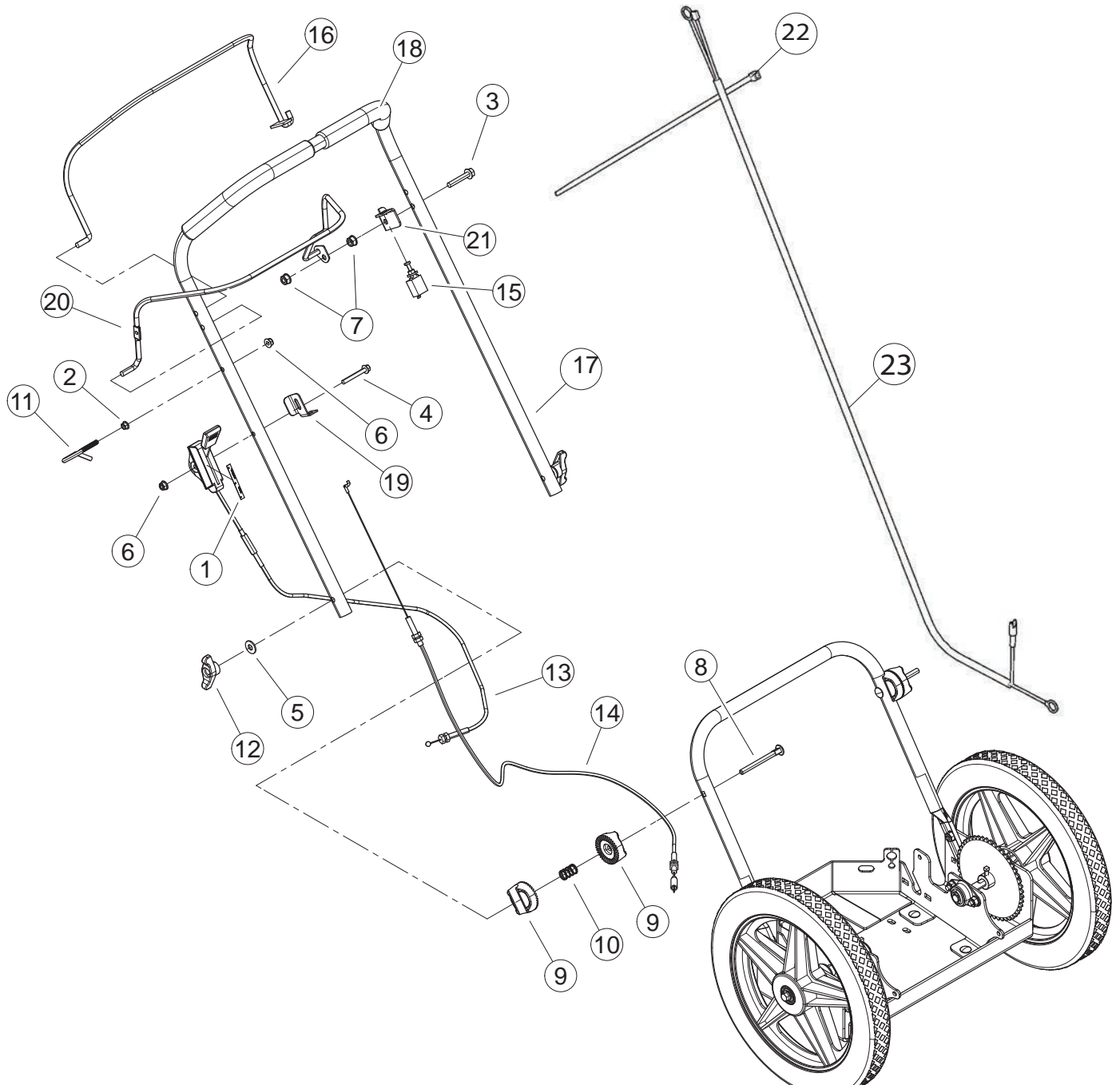
400 Oakwood Road, Lake Zurich, Illinois 60047

WWW.ECHO-USA.COM

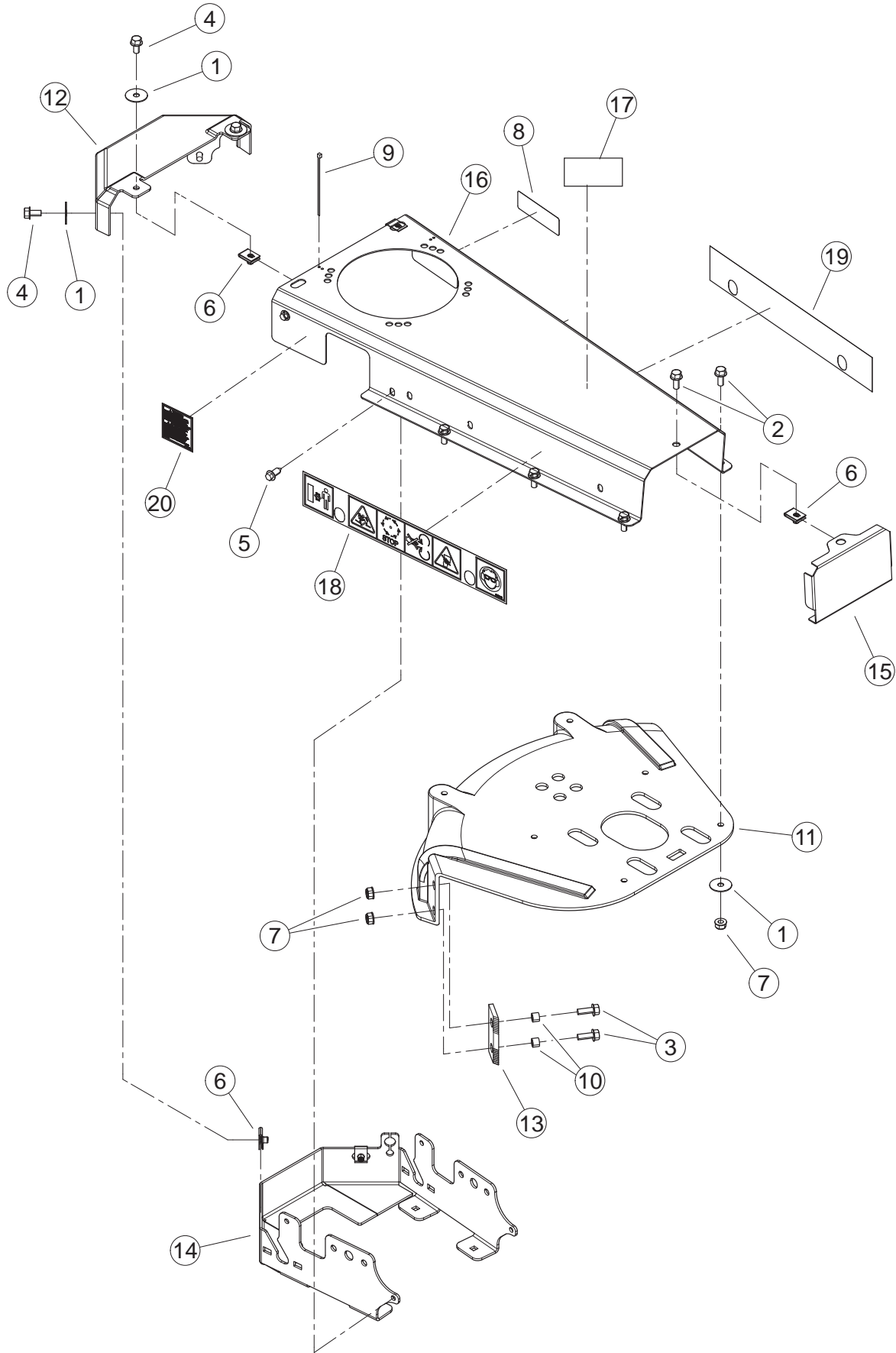
©2021 ECHO Incorporated. All Rights Reserved

P/N 99922205581
REVISED 05/06/2021

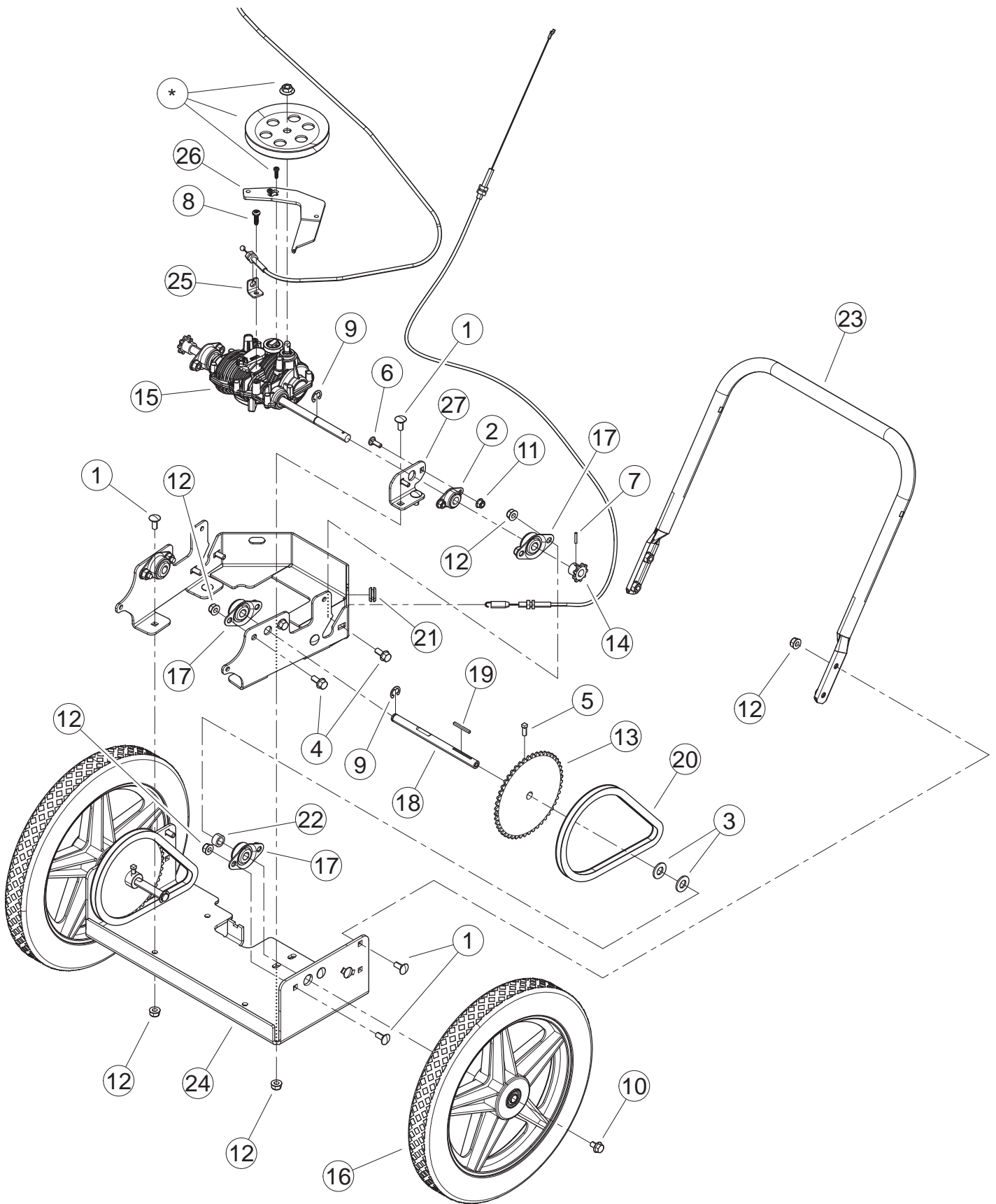
Handle Bar 3
Handle Bar 4
Body 5
Body 6
Transmission..... 7
Transmission..... 8
Drive 9
Drive 10



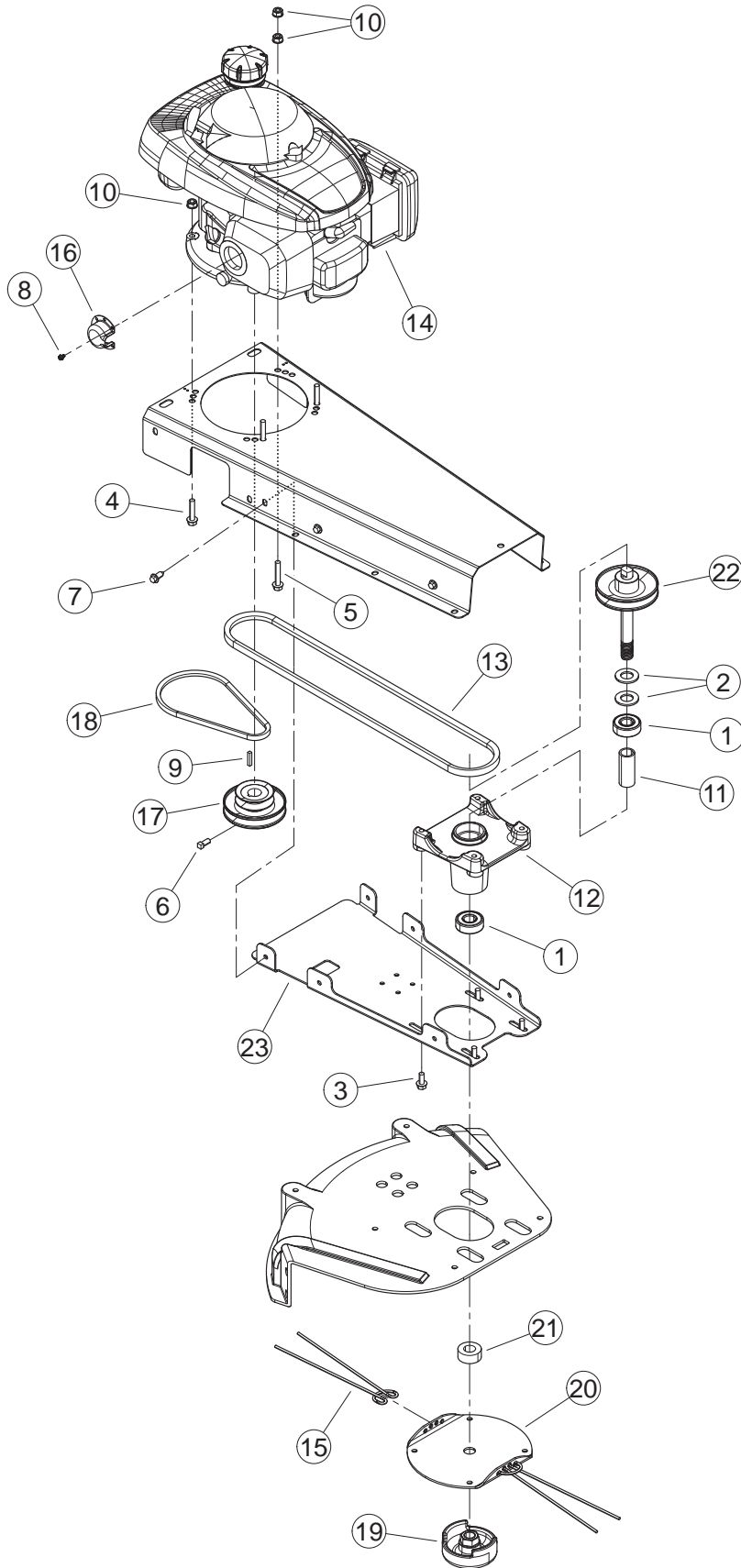
ITEM	PART NUMBER	QTY	DESCRIPTION
1	YH653000200	1	DECAL, 3 SPEED
2	YH449000010	1	NUT, 1/4"-20 SERRATED FLANGE NC ZP
3	YH436000070	1	BOLT, 5/16 × 1-3/4 FLANGE NC
4	YH436000110	1	BOLT, 1/4 × 2 FLANGE NC
5	YH451000440	1	WASHER, 5/16 FLAT
6	YH449000030	2	NUT, 1/4-20 NYLOCK-FLANGE
7	YH449000040	2	NUT, 5/16-18 NYLOCK-FLANGE
8	YH434000160	2	BOLT, 5/16-18 × 3-1/2 LONG NECK GR5 CRG ZP
9	YH452000680	4	RETAINER, HANDLEBAR ADJUSTMENT
10	YH476000180	2	SPRING, RETAINER COMPRESSION
11	YH470000610	1	GUIDE, RECOIL ROPE
12	YH452000690	1	KNOB, 5/16-18 FEEM TEE
13	YH601000120	1	CABLE, 3 SPEED WT
14	YH601000150	1	CABLE, TRANS ENGAGE WT
15	YH321000190	1	SWITCH, ENGINE KILL
16	YH470000730	1	ASSEMBLY, BAIL WT TRIMMERS
17	YH466000210	1	ASSEMBLY, UPPER HANDLE BAR WITH GRIPS (includes Item 18)
18	YH466000150	2	+PAD, FOAM HANDLE BAR
19	YH479001900	1	BRACKET, WT ENGAGE CABLE
20	YH470000880	1	ASSEMBLY, BAIL WT TRIMMERS
21	YH479001960	1	BRACKET, WT KILL SWITCH
22	-	1	STRAP, 11 IN BLACK TIE
23	YH601000170	1	HARNESS, HONDA WT KILL SWITCH



ITEM	PART NUMBER	QTY	DESCRIPTION
1	YH451000070	10	WASHER, 5/16" FENDER ZP
2	YH436000010	2	BOLT, 5/16 × 3/4 FLANGE NC
3	YH436000030	2	BOLT, 5/16 × 7/8 FLANGE NC
4	YH436000100	4	BOLT, 5/16 × 5/8 FLANGE NC
5	YH428000000	4	SCREW, 11/32-12 × 7/8 FLANGE T-AB
6	YH449000020	5	NUT, 5/16"-18 TINNERMAN U-TYPE
7	YH449000040	8	NUT, 5/16-18 NYLOCK FLANGE
8	-	1	DECAL, SERIAL NUMBER
9	-	4	STRAP, 4 IN BLACK
10	YH475000210	2	SPACER, PLASTIC TRIMMER SHIELD
11	YH479000870	1	SHIELD, TRIMMER
12	YH479000880	1	COVER, WT TRANSMISSION
13	YH457000010	1	KNIFE, RECTANGULAR SHREDDING
14	YH479001870	1	BRACKET, WT TRANS MOUNT
15	YH479001920	1	COVER, METAL HW TRIMMERS
16	YH479001950	1	ASSEMBLY, WT BODY WITH DECALS (includes Items 17-20)
17	YH653000430	1	+DECAL, MODEL ECHO WT-1610HSP
18	YH653000230	1	+DECAL, WT SAFETY INFORMATION
19	YH653000240	1	+DECAL, WT MAINTENANCE INFORMATION
20	YH653000290	1	+DECAL, SPARK ARRESTOR



ITEM	PART NUMBER	QTY	DESCRIPTION
1	YH434000110	8	BOLT, 5/16-18 × 3/4 SN GR5 CRG
2	YH453000110	1	BEARING, 1/2 FLANGE
3	YH451000320	4	WASHER, 1/2 SAE FLAT
4	YH436000010	6	BOLT, 5/16 × 3/4 FLANGE NC
5	YH420000000	2	SCREW, SET 1/4 × 5/8 SQ HD
6	YH434000020	2	BOLT, 1/4 × 3/4 GR5 CRG ZP
7	YH471000100	2	PIN, 1/8 × 3/4 IN. SPRING LOCK
8	YH415000260	1	SCREW, M6 × 1 mm × 20 mm FORMING
9	YH452000670	4	CLIP, 1/2" E
10	YH434000130	2	BOLT, 5/16-18 × 1/2 G5 HH SERRATED FLANGE
11	YH449000030	2	NUT, 1/4-20 NYLOCK FLANGE
12	YH449000040	16	NUT, 5/16-18 NYLOCK FLANGE
13	YH484000020	2	SPROCKET, 35B48T WITH .500 HUB ID
14	YH484000030	2	SPROCKET, 35B9T WITH .500 HUB ID
15	YH602000050	1	TRANSMISSION, 3 SPEED MG512
16	YH478000130	2	WHEEL, TRIMMER HUB 15 × 1.75
17	YH453000140	5	BUSHING, FLANGE 1/2 DIA 38 DEG MAX ANGLE
18	YH478000140	2	SHAFT, WT AXLE
19	YH469000070	2	KEY, 1/8 × 1/8 × 1-3/8
20	YH454000030	2	CHAIN, #35 × 60 PITCH W/ C LINK
21	YH468000500	1	GROMMET, 3/8 ID PUSH IN
22	YH475000240	2	SPACER, .75 OD × .5 ID × .37
23	YH466000160	1	HANDLE BAR, LOWER TRIMMER PAINTED
24	YH479001860	1	BRACKET, WT BASE
25	YH479001880	1	BRACKET, TRANS SPEED CABLE
26	YH470000870	1	LEVER, WT TRANS ENGAGE SS
27	YH479001910	1	BRACKET, TRANS SHAFT SUPPORT
*			INCLUDED WITH PN YH602000050 (ITEM 15)



ITEM	PART NUMBER	QTY	DESCRIPTION
1	YH453000080	2	BEARING, 3/4 BALL
2	YH451000390	2	WASHER, 3/4" SAE FLAT ZP
3	YH436000010	4	BOLT, 5/16 X 3/4 FLANGE NC
4	YH436000060	1	BOLT, 5/16 X 1-1/2 FLANGE NC
5	YH436000070	1	BOLT, 5/16 X 1-3/4 FLANGE NC
6	YH426000000	1	SCREW, 5/16-18 X 5/8 SQ HD SET
7	YH428000000	6	SCREW, 11/32-12 X 7/8 FLANGE T-AB
8	-	1	SCREW, 8-32 X 1/4 HEX THREAD CUTTING
9	YH469000040	1	KEY, 3/16" X 1.00" LG SQUARE
10	YH449000040	3	NUT, 5/16-18 NYLOCK FLANGE
11	YH475000200	1	SPACER, TRIMMER SPINDLE
12	YH479000860	1	CASTING, TRIMMER SPINDLE HUB
13	YH454000020	1	BELT, AX48
14	-	1	ENGINE, HONDA 160CC VERTICAL
15	-	2	STRING, 20" X .155 DIA. CROSS-FIRE
16	-	1	DEFLECTOR, HONDA GCV 160
17	YH472000100	1	PULLEY, 4.0/2.5 X .875
18	YH454000040	1	BELT, 3L220
19	YH457000060	1	MOWBALL, CAST TRIMMER PAINTED
20	YH457000070	1	DISK, TRIMMER HEAD
21	YH475000230	1	SPACER, TRIMMER HEAD
22	YH472000110	1	WELDMENT, SPINDLE HW MODELS
23	YH479001890	1	PLATE, HWS SPINDLE CASTING MOUNT