



Accessories for ECHO products can be found at:
Pour obtenir des accessoires pour les produits ECHO,
consulter notre catalogue d'accessoires à:
<http://www.echo.ca/products/catalogs>

PARTS CATALOG
NOMENCLATURE DES PIÈCES

HCA-2620
Articulating Hedge
Trimmer

HCA-2620 Taille-haie articulé

25.4 cc

SERIAL NUMBER
NUMÉRO DE SÉRIE

U00315001001 - U00315999999



ECHO, INCORPORATED

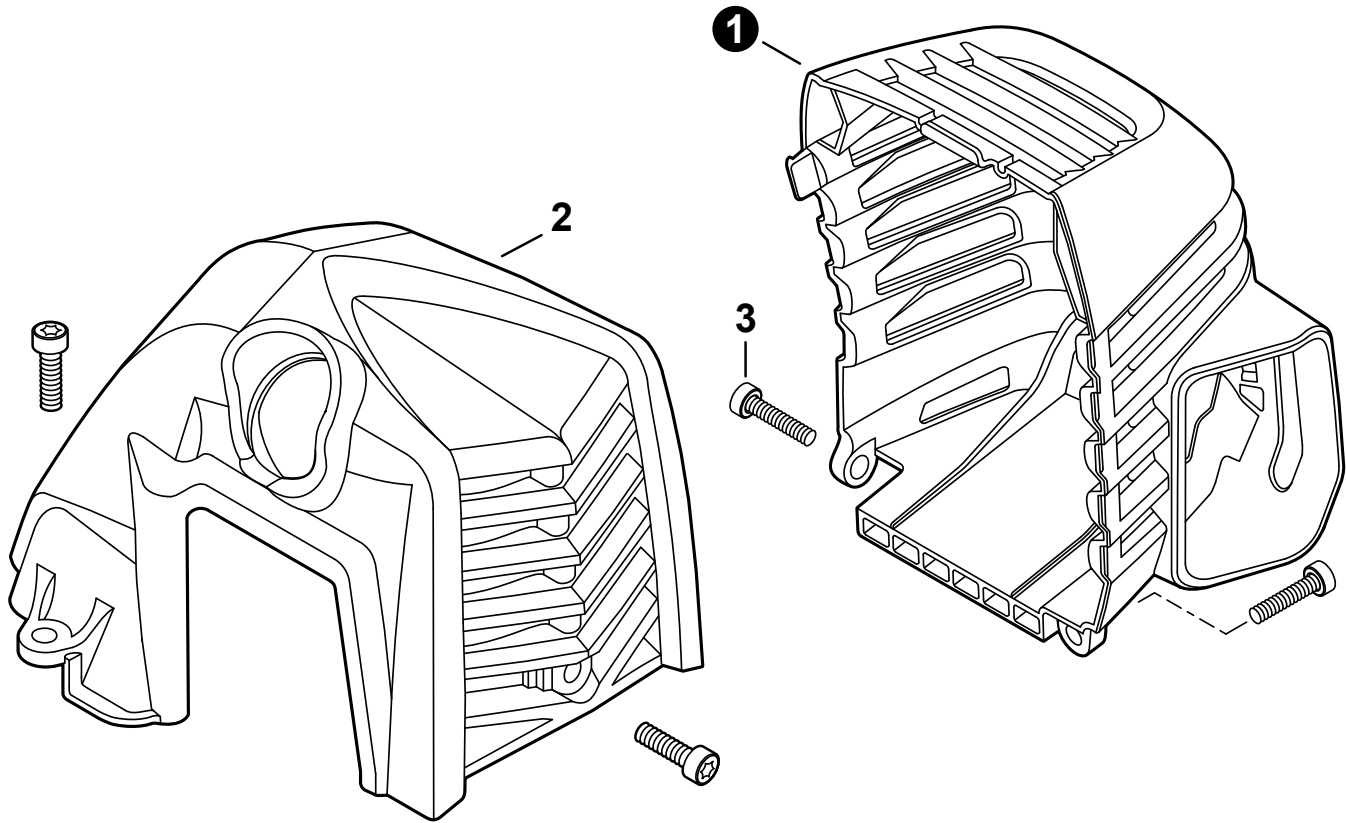
400 Oakwood Road, Lake Zurich, Illinois 60047

WWW.ECHO-USA.COM

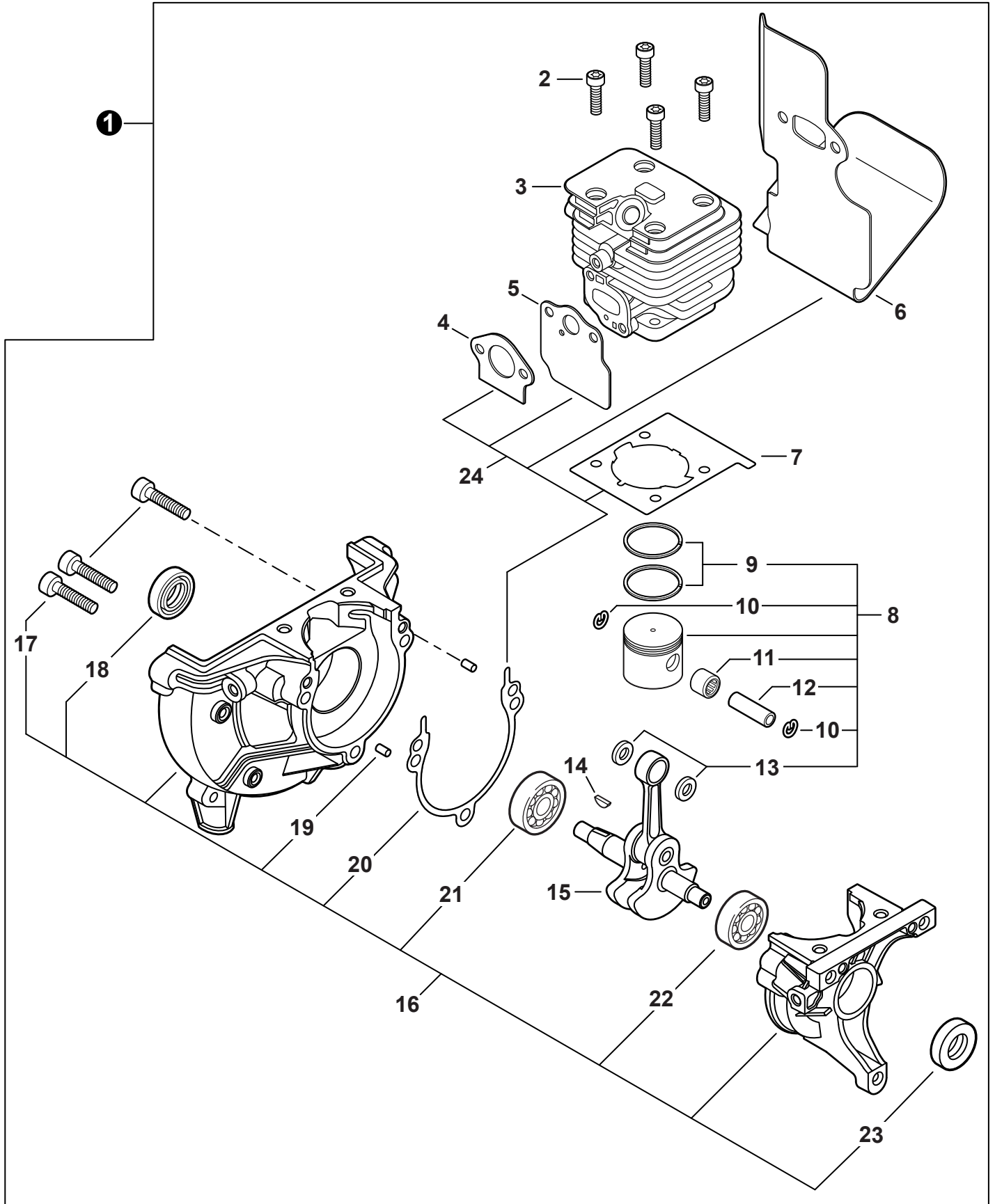
©2017 ECHO, Incorporated. All Rights Reserved

P/N 99922205096
REVISED 07/11/17

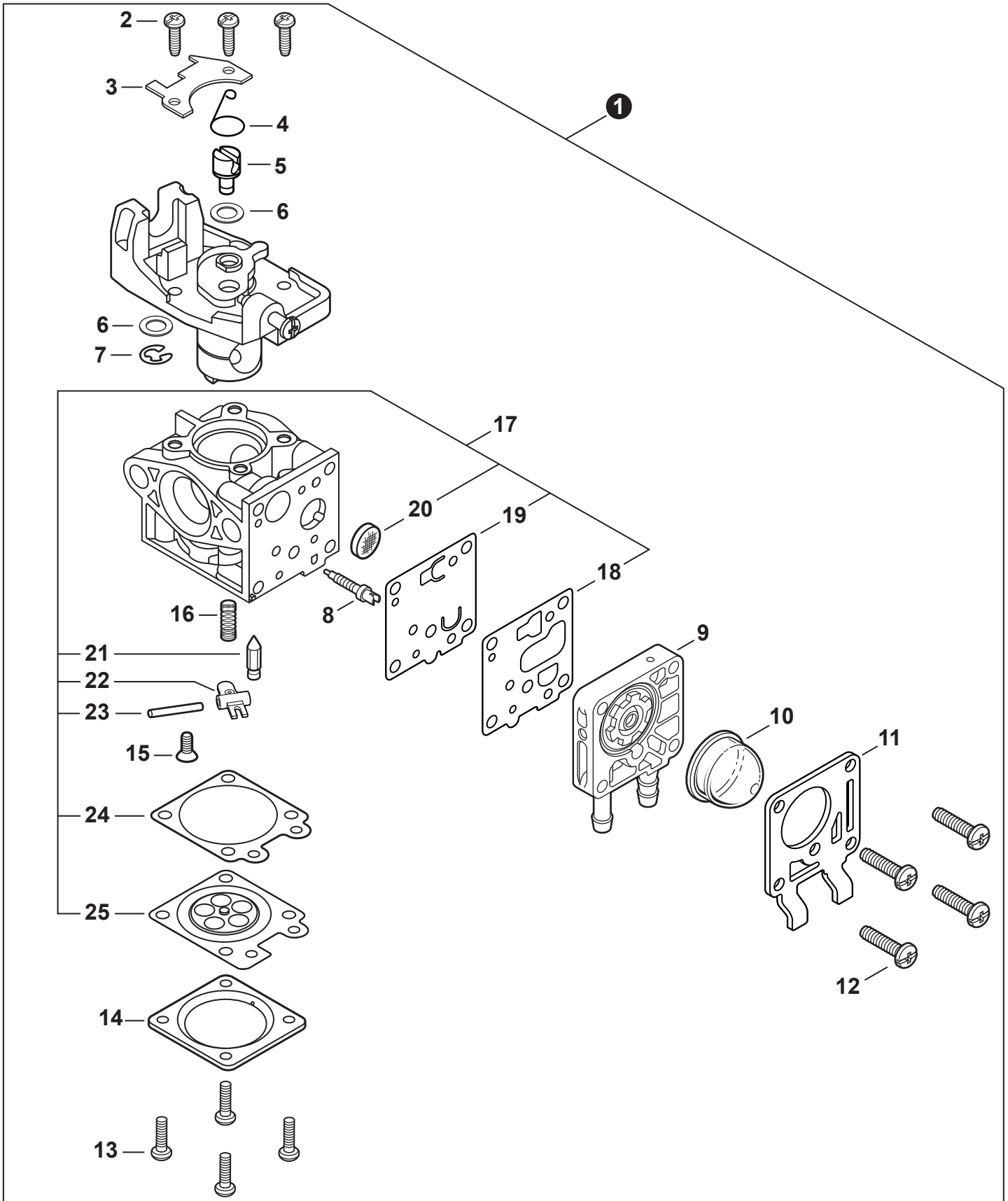
| | |
|---|---|
| Engine Cover 3 Couvercle de moteur | Control Handle 15 Poignée de commande |
| Engine 4 Moteur | Gear Case 16 Boîtier d'engrenage |
| Engine 5 Moteur | Gear Case 17 Boîtier d'engrenage |
| Carburetor 6 Carburateur | Cutters 18 Lames |
| Carburetor 7 Carburateur | Cutters 19 Lames |
| Intake 8 Admission | Cutting Head Kit 19 Tête de coupe complet |
| Exhaust 9 Échappement | Labels 20 Étiquettes |
| Ignition 10 Allumage | Shoulder Harness 21 Harnais d'épaule |
| Starter 11 Lanceur à rappel | Tools 21 Outils |
| Fuel System 12 Système de carburant | Maintenance Kits 22 Trousse d'entretien |
| Fan Case 13 Couvre-ventilateur | Bulk Pipe 22 Tuyau de carburant en vrac |
| Main Pipe 14 Tube de transmission | Bulk Starter Rope 22 Corde du démarreur en vrac |



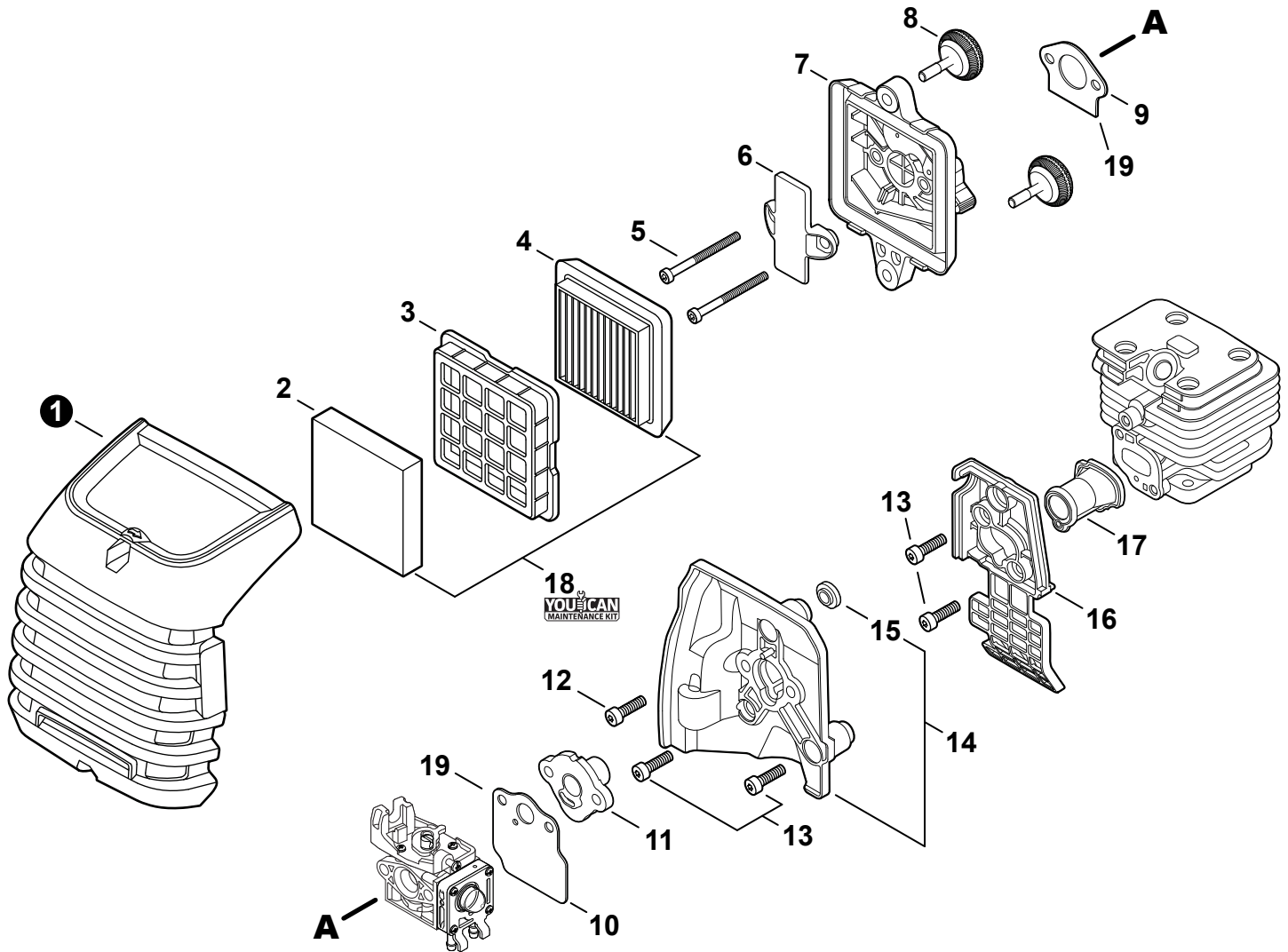
| NO. | PART NUMBER | QTY. | DESCRIPTION | NOM DE LA PIÈCE |
|-----|-------------|------|-----------------|-------------------------|
| 1 | A320001200 | 1 | COVER, MUFFLER | COUVERCLE DU SILENCIEUX |
| 2 | A160003280 | 1 | COVER, ENGINE | COUVERCLE DE MOTEUR |
| 3 | V835000010 | 4 | BOLT, TORX 5×12 | BOULON TORX 5×12 |



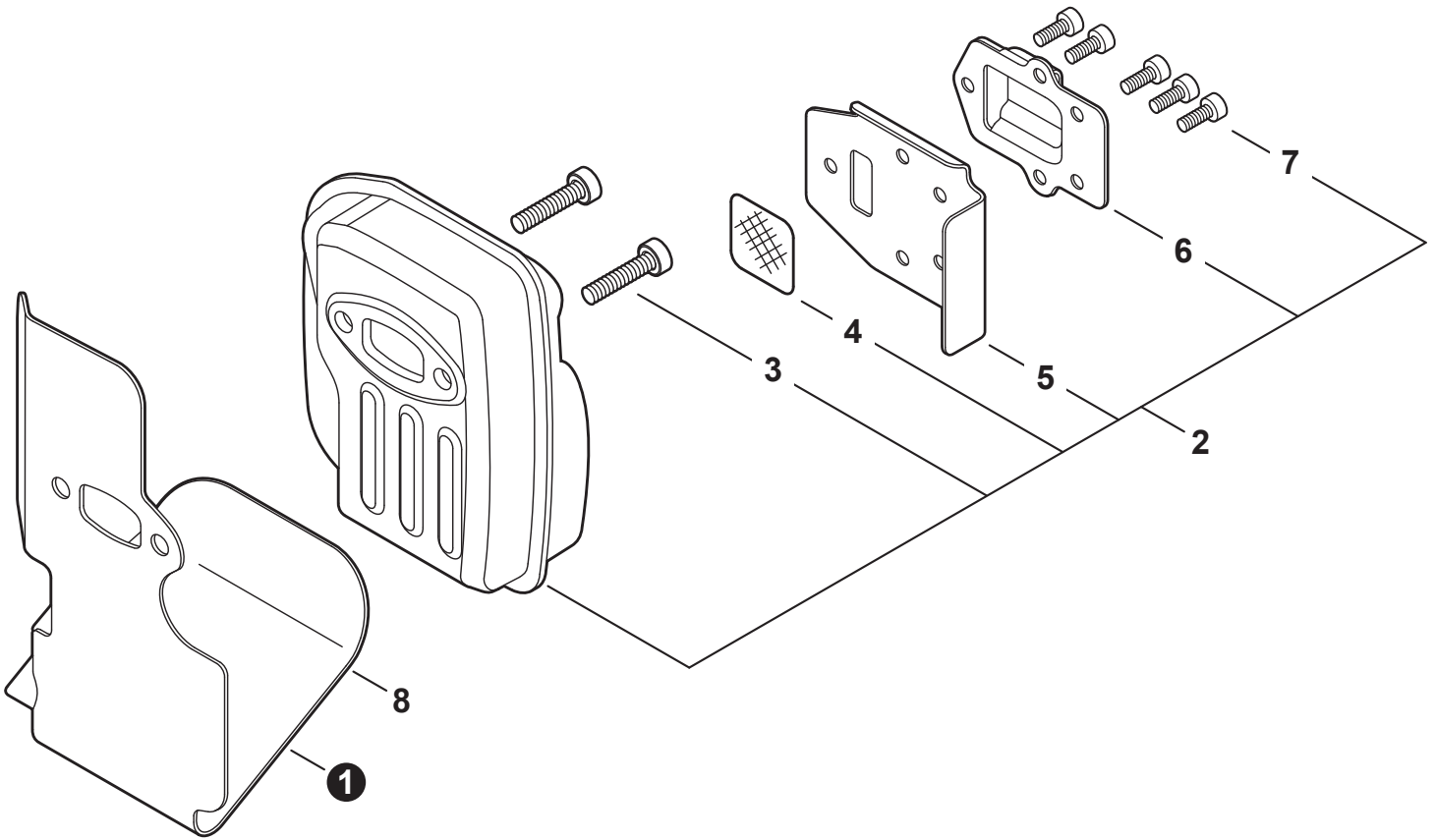
| NO. | PART NUMBER | QTY. | DESCRIPTION | NOM DE LA PIÈCE |
|-----|-------------|------|----------------------------|----------------------------------|
| 1 | SB1118 | 1 | SHORT BLOCK | BLOC MOTEUR EMBIELLÉ |
| 2 | V805000210 | 4 | +BOLT, TORX 5×20 | +BOULON TORX 5×20 |
| 3 | A130002330 | 1 | +CYLINDER | +CYLINDRE |
| 4 | V103001900 | 1 | +GASKET, INTAKE | +JOINT D'ADMISSION |
| 5 | V103001890 | 1 | +HEAT SHIELD, INTAKE | +BOUCLIER THERMIQUE ADMISSION |
| 6 | V104002310 | 1 | +HEAT SHIELD, EXHAUST | +BOUCLIER THERMIQUE ÉCHAPPEMENT |
| 7 | V100000840 | 1 | +GASKET, CYLINDER | +JOINT CYLINDRE |
| 8 | P021050840 | 1 | +PISTON KIT | +KIT DE PISTON |
| 9 | A101000010 | 2 | ++RING, PISTON | ++SEGMENT DE PISTON |
| 10 | 10001503931 | 2 | ++RING, SNAP | ++ANNEAU ÉLASTIQUE |
| 11 | V554000020 | 1 | ++BEARING, NEEDLE 9 | ++ROULEMENT À AIGUILLES 9 |
| 12 | 10001335430 | 1 | ++PIN, PISTON | ++AXE DE PISTON |
| 13 | 10001453630 | 2 | ++WASHER, THRUST 9×12×15×3 | ++RONDELLE DE BUTÉE 9×12×15×3 |
| 14 | 10014212330 | 1 | +KEY, WOODRUFF | +CLAVETTE-DISQUE |
| 15 | A011001460 | 1 | +CRANKSHAFT ASSY | +VILEBREQUIN COMPLET |
| 16 | P021050850 | 1 | +CRANKCASE KIT | +KIT DE CARTER DE MOTEUR |
| 17 | V805000220 | 3 | ++BOLT, TORX 5×25 | ++BOULON TORX 5×25 |
| 18 | V503000040 | 1 | ++SEAL, OIL 10 | ++JOINT D'HUILE 10 |
| 19 | 90033040080 | 2 | ++PIN, LOCATING 4×8 | ++GOUPILLE DE POSITIONNEMENT 4×8 |
| 20 | V102000300 | 1 | ++GASKET, CRANKCASE | ++JOINT CARTER DE MOTEUR |
| 21 | 90081036000 | 1 | ++BEARING, BALL | ++ROULEMENT À BILLES |
| 22 | 90080036001 | 1 | ++BEARING, BALL 6001 | ++ROULEMENT À BILLES 6001 |
| 23 | 10021242031 | 1 | ++SEAL, OIL 12 | ++JOINT D'HUILE 12 |
| 24 | P021051540 | 1 | GASKET KIT | KIT DE JOINTS |



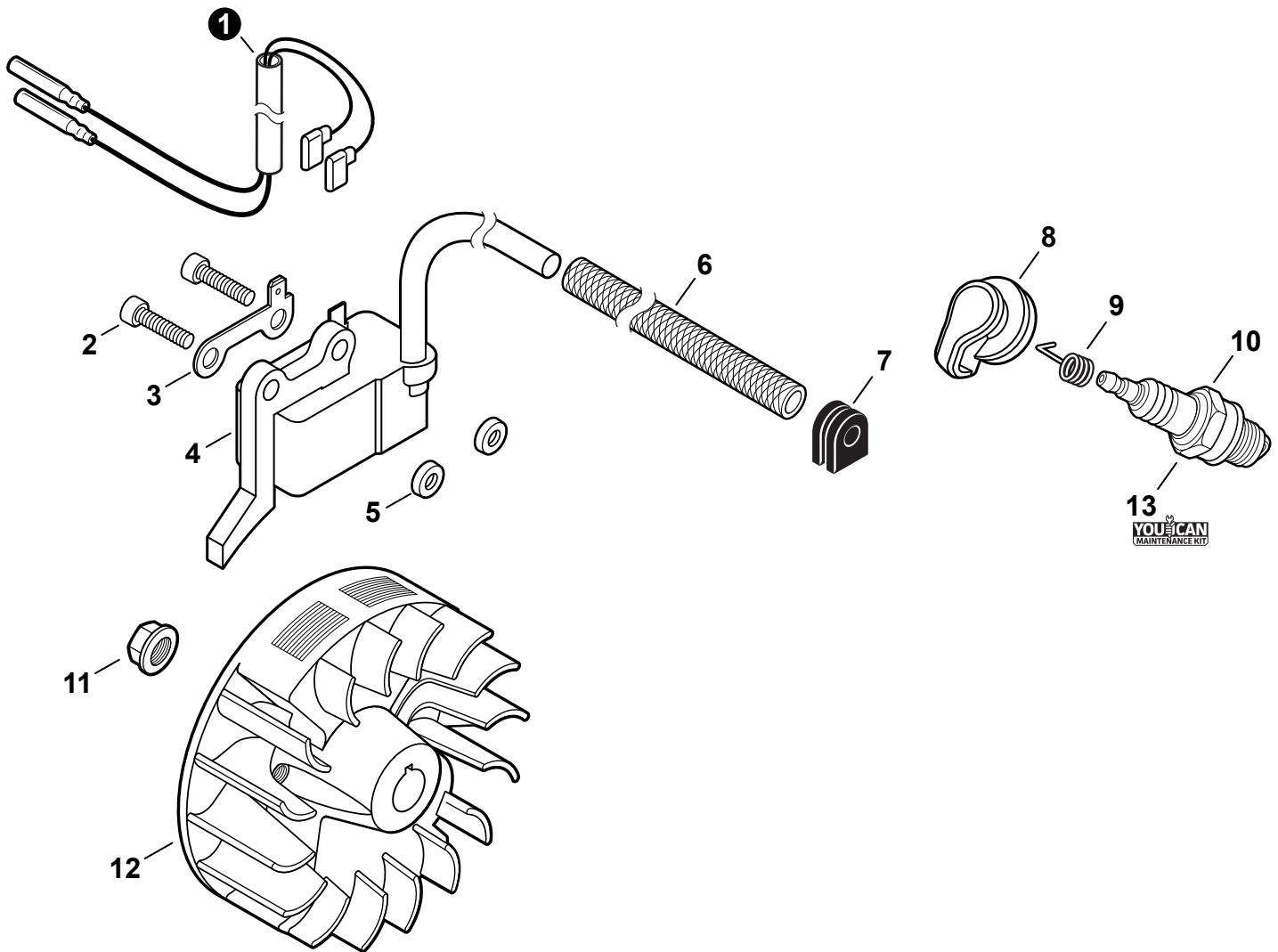
| NO. | PART NUMBER | QTY. | DESCRIPTION | NOM DE LA PIÈCE |
|-----|-------------------|----------|--------------------------------|---------------------------------------|
| 1 | A021004600 | 1 | CARBURETOR - WYG-9 | CARBURATEUR - WYG-9 |
| 2 | 12311440630 | 3 | +SCREW | +VIS |
| 3 | P003005900 | 1 | +PLATE | +PLAQUE |
| 4 | P003005890 | 1 | +CLIP | +ATTACHE |
| 5 | P003005850 | 1 | +SWIVEL | +PIVOT |
| 6 | P003001710 | 2 | +WASHER | +RONDELLE |
| 7 | 12317307930 | 1 | +E-RING | +BAGUE EN E |
| 8 | P003005880 | 1 | +NEEDLE, MIXTURE | +POINTEAU |
| 9 | P003005300 | 1 | +BODY ASSY, PUMP | +CORPS DE POMPE COMPLET |
| 10 | 12318109560 | 1 | +BULB, PURGE | +POIRE DE PURGE |
| 11 | P003004510 | 1 | +COVER, FUEL PUMP | +COUVERCLE DE POMPE À CARBURANT |
| 12 | P003004570 | 4 | +SCREW | +VIS |
| 13 | P003004560 | 4 | +SCREW | +VIS |
| 14 | 12314203930 | 1 | +COVER, METERING DIAPHRAGM | +COUVERCLE DOSEUSE À MEMBRANE |
| 15 | P003005860 | 1 | +SCREW | +VIS |
| 16 | P003005870 | 1 | +SPRING | +RESSORT |
| 17 | P003005940 | 1 | +REPAIR KIT, CARBURETOR | +KIT DE RÉPARATION CARBURATEUR |
| 18 | | 1 | ++GASKET, FUEL PUMP | ++JOINT DE POMPE À CARBURANT |
| 19 | | 1 | ++DIAPHRAGM, FUEL PUMP | ++MEMBRANE DE POMPE À CARBURANT |
| 20 | | 1 | ++SCREEN, FUEL INLET | ++FILTRE À TAMIS |
| 21 | | 1 | ++VALVE, INLET NEEDLE | ++SOUPAPE À POINTEAU D'ADMISSION |
| 22 | | 1 | ++LEVER, METERING | ++LEVIER DE DOSAGE |
| 23 | | 1 | ++PIN, METERING LEVER | ++CHEVILLE DU LEVIER DE DOSAGE |
| 24 | | 1 | ++GASKET, METERING DIAPHRAGM | ++JOINT DU MEMBRANE DE DOSAGE |
| 25 | | 1 | ++DIAPHRAGM, METERING | ++MEMBRANE DE DOSAGE |



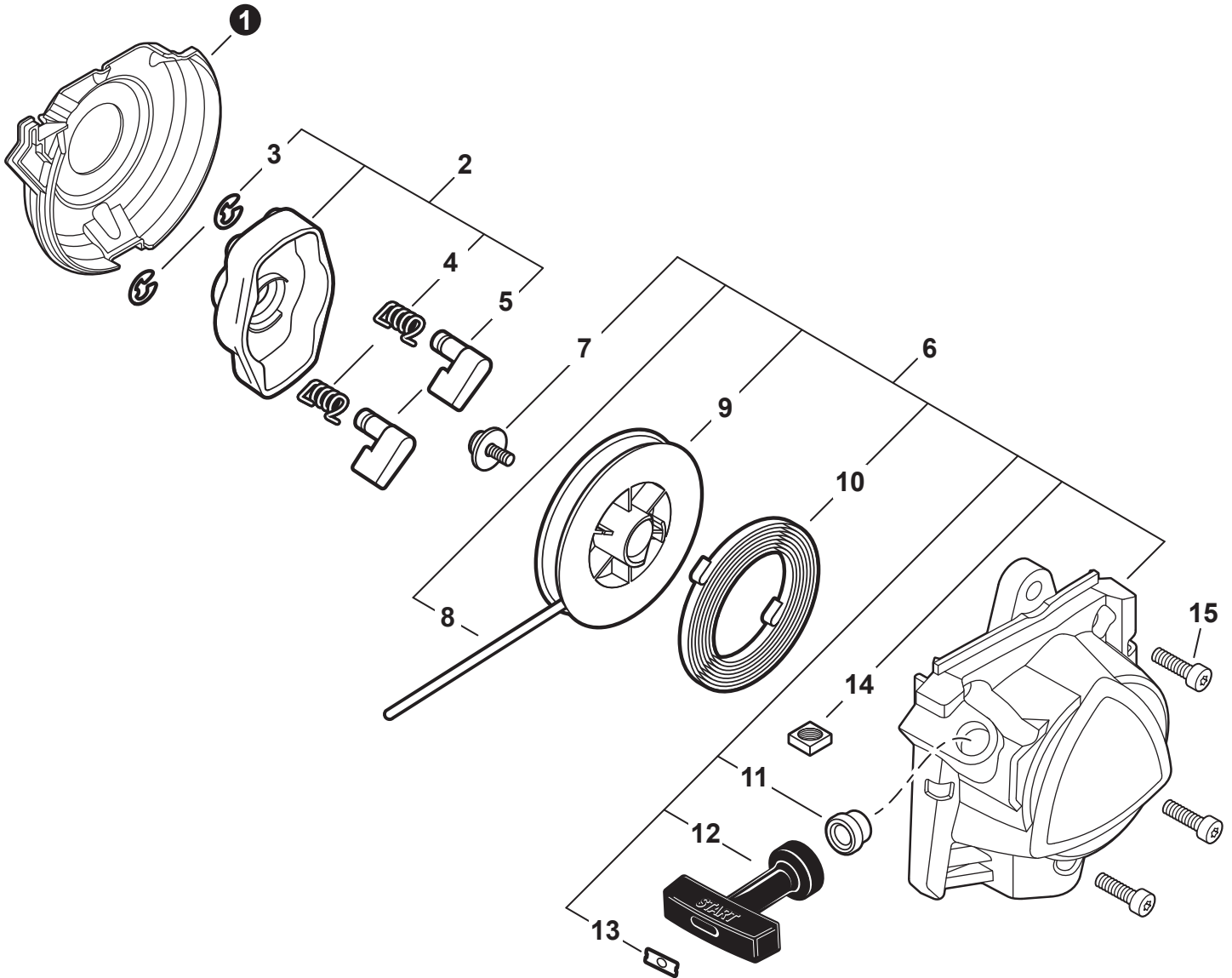
| NO. | PART NUMBER | QTY. | DESCRIPTION | NOM DE LA PIÈCE |
|-----|-------------------|------|------------------------------|---------------------------------------|
| 1 | A232001890 | 1 | COVER, AIR FILTER | COUVERCLE DU FILTRE À AIR |
| 2 | A226002040 | 1 | PRE-FILTER, FOAM | PRÉ-FILTRE EN MOUSSE |
| 3 | A227000050 | 1 | RETAINER, PRE-FILTER | ATTACHE, PRÉ-FILTRE |
| 4 | A226002030 | 1 | FILTER, AIR | FILTRE À AIR |
| 5 | V805000340 | 2 | BOLT, TORX 5×60 | BOULON TORX 5×60 |
| 6 | A244000320 | 1 | PLATE, PREVENT | PLAQUE, PRÉVENTION |
| 7 | P021050880 | 1 | CASE, AIR FILTER | BOÎTIER DE FILTRE À AIR |
| 8 | V299000640 | 2 | THUMBSCREW | VIS À SERRAGE À MAIN |
| 9 | V103001900 | 1 | GASKET, INTAKE | JOINT D'ADMISSION |
| 10 | V103001890 | 1 | HEAT SHIELD, INTAKE | BOUCLIER THERMIQUE ADMISSION |
| 11 | A209001000 | 1 | BOOT, INSULATOR PLATE | COFFRE, PLAQUE ISOLANTE |
| 12 | V855000000 | 1 | BOLT, TORX 5×20 | BOULON TORX 5×20 |
| 13 | V805000150 | 4 | BOLT, TORX 5×16 | BOULON TORX 5×16 |
| 14 | A209001010 | 1 | PLATE, INSULATOR | PLAQUE ISOLANTE |
| 15 | V353000020 | 1 | +COLLAR 5 | +COLLET 5 |
| 16 | A206000040 | 1 | HOLDER, BELLOWS | SUPPORT DE SOUFFLET |
| 17 | A202000300 | 1 | BELLOWS, INTAKE | SOUFFLET D'ADMISSION |
| 18 | 90181Y | 1 | TUNE-UP KIT - YOUCAN™ | KIT DE MISE AU POINT - YOUCAN™ |
| 19 | P021051540 | 1 | GASKET KIT | KIT DE JOINTS |



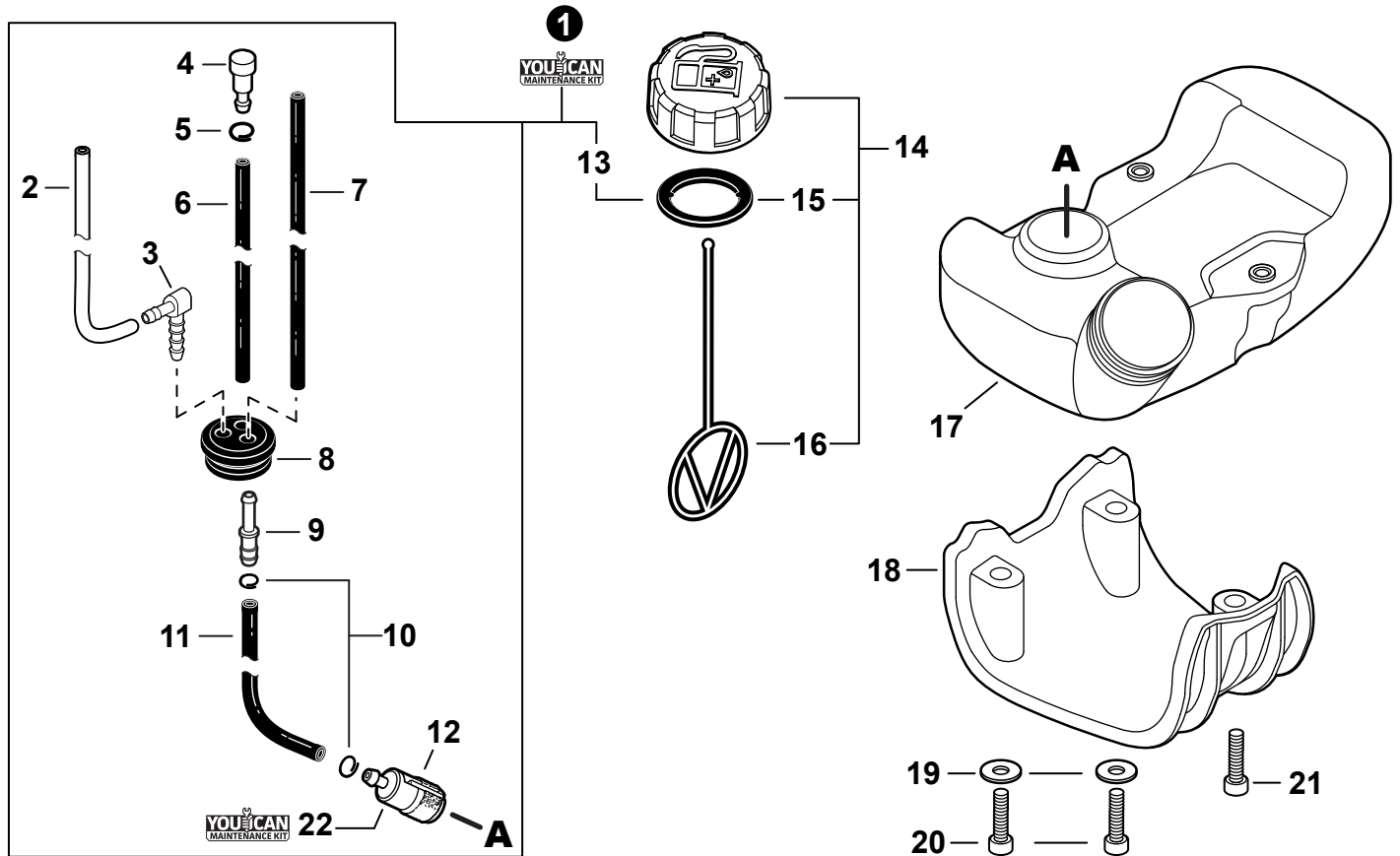
| NO. | PART NUMBER | QTY. | DESCRIPTION | NOM DE LA PIÈCE |
|-----|-------------------|------|-------------------------|--------------------------------|
| 1 | V104002310 | 1 | HEAT SHIELD, EXHAUST | BOUCLIER THERMIQUE ÉCHAPPEMENT |
| 2 | P021050900 | 1 | MUFFLER ASSY | ASSEMBLAGE SILENCIEUX |
| 3 | V805000250 | 2 | +BOLT, TORX 5×16 | +BOULON TORX 5×16 |
| 4 | 14586240630 | 1 | +SCREEN, SPARK ARRESTER | +PARE-ÉTINCELLES |
| 5 | V104002300 | 1 | +GASKET, EXHAUST | +JOINT D'ÉCHAPPEMENT |
| 6 | A313002060 | 1 | +GUIDE, EXHAUST | +GUIDE D'ÉCHAPPEMENT |
| 7 | V804000030 | 5 | +BOLT, TORX 4×8 | +BOULON TORX 4×8 |
| 8 | P021051540 | 1 | GASKET KIT | KIT DE JOINTS |



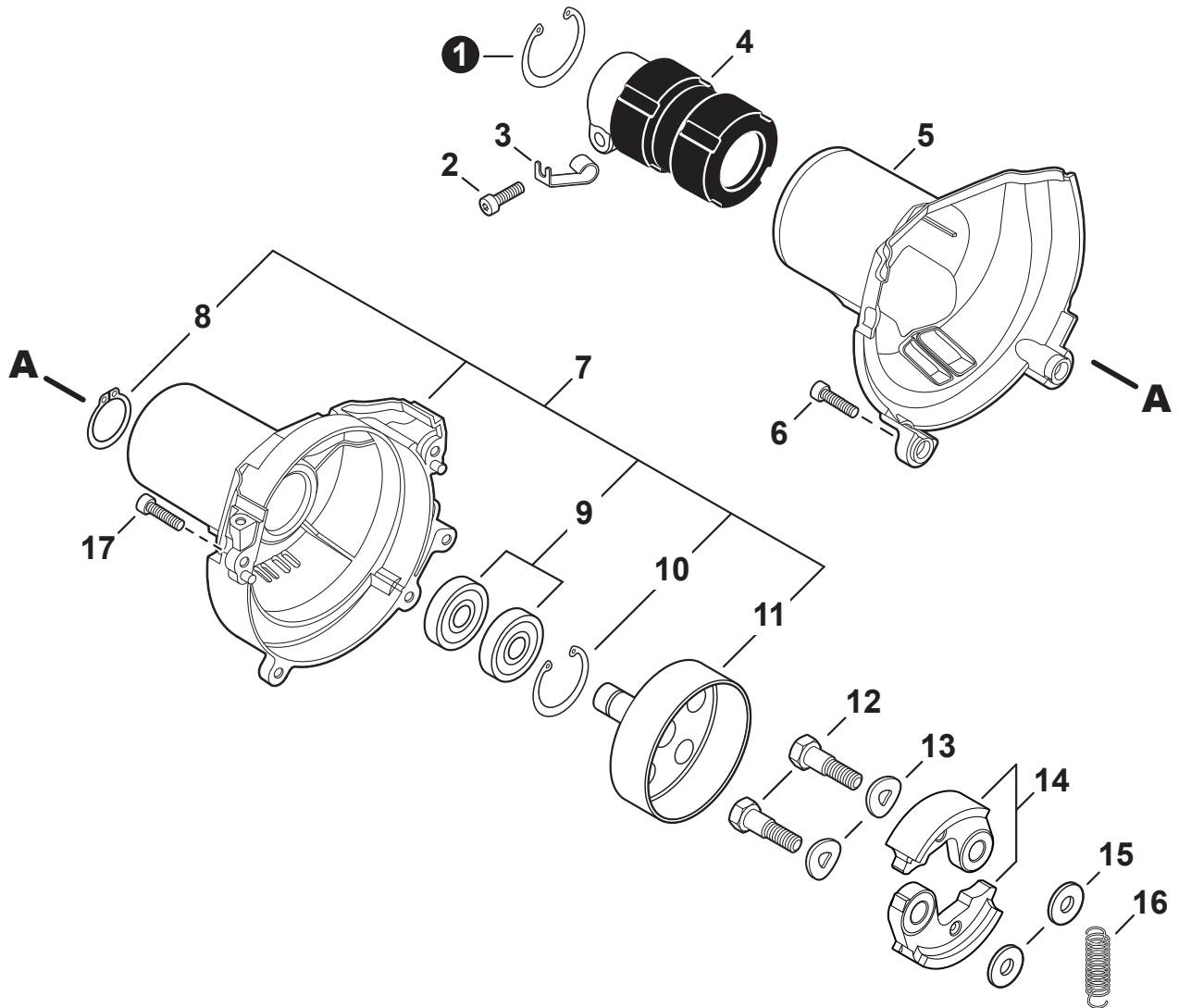
| NO. | PART NUMBER | QTY. | DESCRIPTION | NOM DE LA PIÈCE |
|-----|-------------|------|-----------------------|--------------------------------|
| 1 | V485002880 | 1 | LEAD SET - IGNITION | ENSEMBLE DE CÂBLE D'ALLUMAGE |
| 2 | V805000210 | 2 | BOLT, TORX 5×20 | BOULON TORX 5×20 |
| 3 | C152001030 | 1 | CONNECTOR | CONNEXION |
| 4 | A411001710 | 1 | COIL, IGNITION | BOBINE D'ALLUMAGE |
| 5 | V323000070 | 2 | SPACER 5 | ENTRETOISE 5 |
| 6 | V475007540 | 1 | TUBE, INSULATOR | TUYAU ISOLANTE |
| 7 | 15611004920 | 1 | GROMMET | OEILLET |
| 8 | A427000220 | 1 | CAP, SPARK PLUG | PROTECTEUR DE BOUGIE |
| 9 | A426000010 | 1 | TERMINAL, SPARK PLUG | BORNE DE BOUGIE |
| 10 | A425000060 | 1 | SPARK PLUG - CMR7H | BOUGIE - CMR7H |
| 11 | 90051500008 | 1 | NUT, FLANGE M8 | ÉCROU |
| 12 | A409001320 | 1 | FLYWHEEL | VOLANT |
| 13 | 90181Y | 1 | TUNE-UP KIT - YOUCAN™ | KIT DE MISE AU POINT - YOUCAN™ |



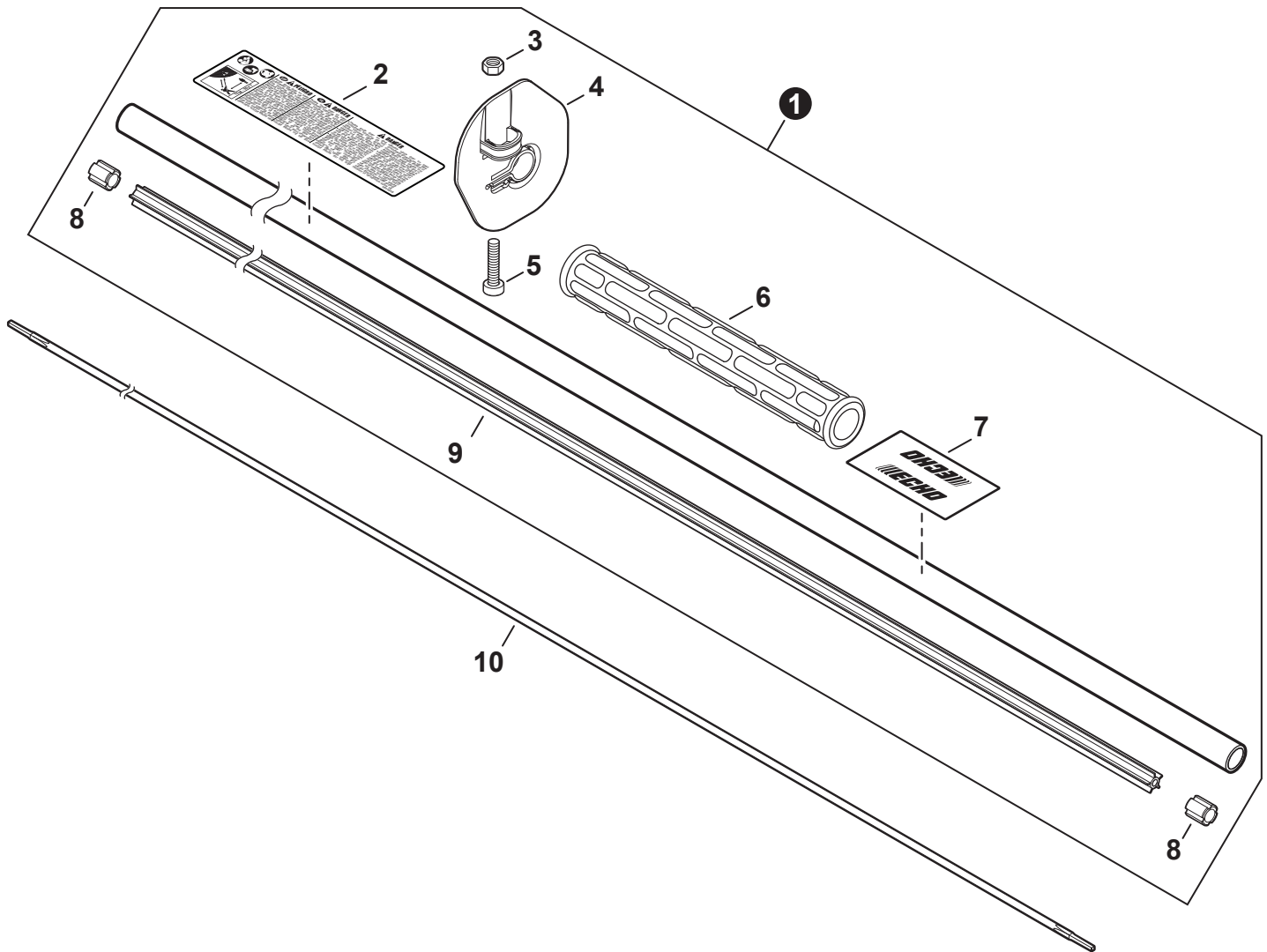
| NO. | PART NUMBER | QTY. | DESCRIPTION | NOM DE LA PIÈCE |
|-----|-------------|------|----------------------|-------------------------------------|
| 1 | A127000470 | 1 | COVER, DUST | COUVERCLE PARE-POUSSIÈRE |
| 2 | A052000030 | 1 | PAWL ASSY, STARTER | CLIQUET DE LANCEUR À RAPPEL COMPLET |
| 3 | P022002100 | 2 | +E-RING 4 | +BAGUE EN E 4 |
| 4 | 17723440630 | 2 | +SPRING, RETURN | +RESSORT DE RAPPEL |
| 5 | A514000120 | 2 | +PAWL, STARTER | +CLIQUET |
| 6 | A051003210 | 1 | STARTER ASSY, RECOIL | ASSEMBLAGE DU LANCEUR À RAPPEL |
| 7 | 17723644330 | 1 | +SCREW | +VIS |
| 8 | P022043690 | 1 | +ROPE, STARTER | +CORDE DU DÉMARREUR |
| 9 | 17721540630 | 1 | +REEL, ROPE | +ENROULEUR DE CÂBLE |
| 10 | 17722040630 | 1 | +SPRING, RECOIL | +RESSORT DE RAPPEL |
| 11 | 17722742030 | 1 | +GUIDE, ROPE | +GUIDE DE CORDE |
| 12 | 17722827030 | 1 | +GRIP, STARTER | +POIGNÉE DU DÉMARREUR |
| 13 | P022037670 | 1 | +RETAINER, ROPE | +RETENUE DE CORDE |
| 14 | 90056500005 | 2 | +NUT M5 | +ÉCROU M5 |
| 15 | V805000140 | 3 | BOLT, TORX 5×12 | BOULON TORX 5×12 |



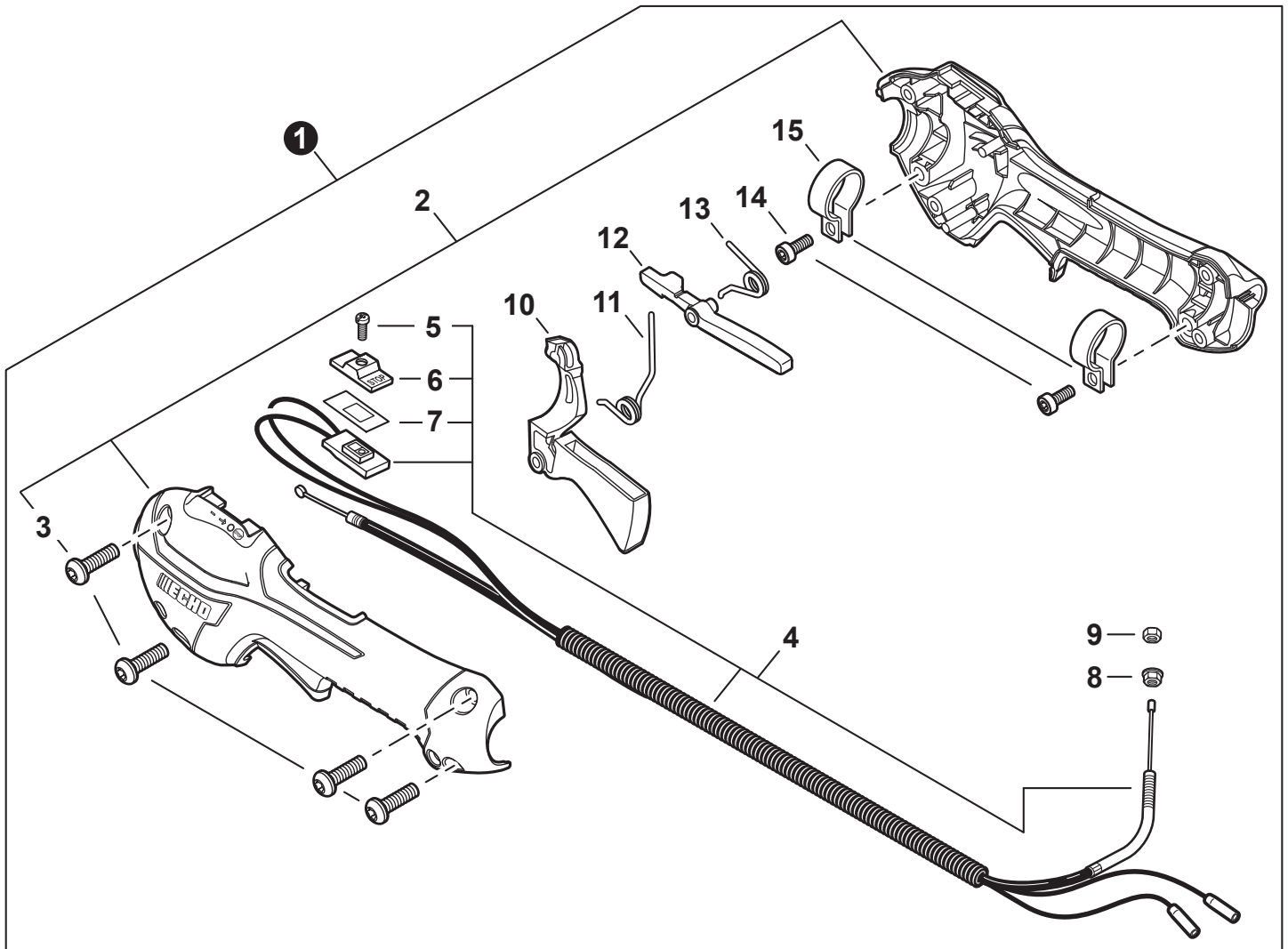
| NO. | PART NUMBER | QTY. | DESCRIPTION | NOM DE LA PIÈCE |
|-----|-------------|------|-------------------------------|---------------------------------------|
| 1 | 90182Y | 1 | FUEL SYSTEM KIT - YOUCAN™ | KIT DE SYSTÈME DE CARBURANT - YOUCAN™ |
| 2 | 13201256030 | 1 | +PIPE, FUEL 3×6×80 CLEAR | +TUYAU DE CARBURANT 3×6×80 CLAIR |
| 3 | V186000500 | 1 | +CONNECTOR, PIPE | +CONNEXION DE TUYAU |
| 4 | A356000031 | 1 | +VENT ASSY | +ÉVENT COMPLET |
| 5 | V490001230 | 1 | +CLIP Ø6.5 MM | +ATTACHE Ø6.5 MM |
| 6 | 13201006530 | 1 | +PIPE, FUEL 3×6×85 BLACK | +TUYAU DE CARBURANT 3×6×85 NOIR |
| 7 | V471004060 | 1 | +PIPE, FUEL 3×5×83 BLACK | +TUYAU DE CARBURANT 3×5×83 NOIR |
| 8 | 13211555930 | 1 | +GROMMET, FUEL | +RONDELLE DE CARBURANT |
| 9 | V186000520 | 1 | +CONNECTOR, PIPE Ø5×Ø3.5 | +CONNEXION DE TUYAU Ø5×Ø3.5 |
| 10 | V490001240 | 2 | +CLIP Ø6 | +ATTACHE Ø6 |
| 11 | V471003650 | 1 | +PIPE, FUEL - 3×5×125 - BLACK | +TUYAU DE CARBURANT 3×5×125 NOIR |
| 12 | A369000470 | 1 | +FILTER, FUEL | +FILTRE À CARBURANT |
| 13 | V107000150 | 1 | +GASKET, FUEL CAP | +JOINT BOUCHON DE CARBURANT |
| 14 | P021040430 | 1 | CAP ASSY, FUEL | ASSEMBLAGE DU BOUCHON DE CARBURANT |
| 15 | V107000150 | 1 | +GASKET, FUEL CAP | +JOINT BOUCHON DE CARBURANT |
| 16 | A365000060 | 1 | +CONNECTOR, CAP L= 123 | +CONNEXION DU BOUCHON L= 123 |
| 17 | A350002340 | 1 | TANK, FUEL | RÉSERVOIR DE CARBURANT |
| 18 | A175000040 | 1 | GUARD, FUEL TANK | PROTECTEUR, RÉSERVOIR D'ESSENCE |
| 19 | 90060300005 | 2 | WASHER 5.5×12×0.8 | RONDELLE 5.5×12×0.8 |
| 20 | V805000170 | 2 | BOLT, TORX 5×25 | BOULON TORX 5×25 |
| 21 | V805000160 | 1 | BOLT, TORX 5×20 | BOULON TORX 5×20 |
| 22 | 90181Y | 1 | TUNE-UP KIT - YOUCAN™ | KIT DE MISE AU POINT - YOUCAN™ |



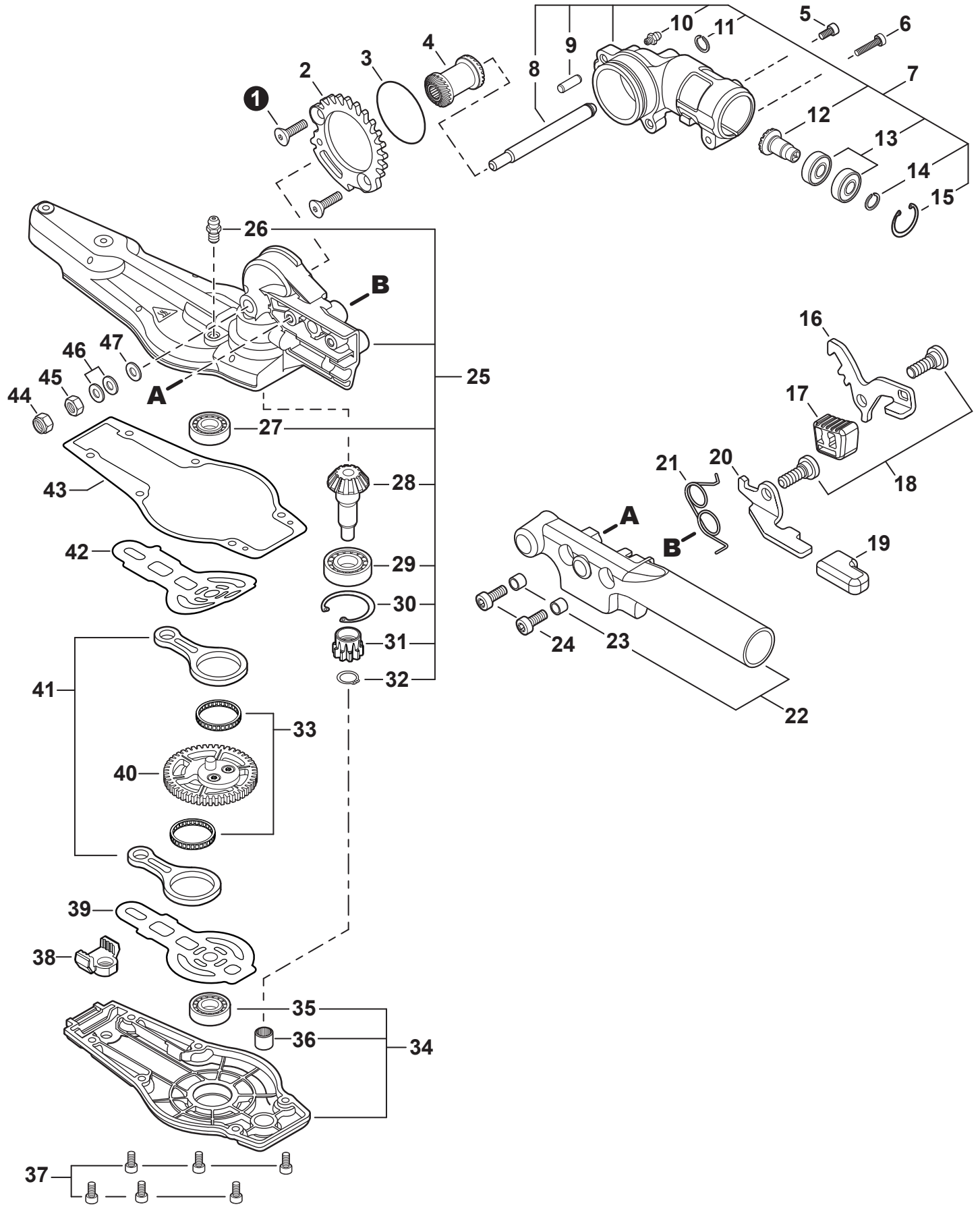
| NO. | PART NUMBER | QTY. | DESCRIPTION | NOM DE LA PIÈCE |
|-----|-------------------|------|---------------------------|--------------------------------------|
| 1 | 90070200042 | 1 | RING, SNAP Ø42 | ANNEAU ÉLASTIQUE Ø42 |
| 2 | V805000170 | 1 | BOLT, TORX 5×25 | BOULON TORX 5×25 |
| 3 | V490001520 | 1 | CLIP, CABLE | SUPPORT DE CÂBLE |
| 4 | A575000110 | 1 | HOLDER, MAIN PIPE | ATTACHE - TUBE DE TRANSMISSION |
| 5 | A413000080 | 1 | PROTECTOR, FAN COVER | PROTECTEUR, COUVRE-VENTILATEUR |
| 6 | V805000160 | 2 | BOLT, TORX 5×20 | BOULON TORX 5×20 |
| 7 | P021051351 | 1 | COVER ASSY, FAN | ASSEMBLAGE COUVRE-VENTILATEUR |
| 8 | 90070100012 | 1 | +RING, SNAP 12 | +ANNEAU ÉLASTIQUE 12 |
| 9 | 9405106001 | 2 | +BEARING, BALL 6001 | +ROULEMENT À BILLES 6001 |
| 10 | 90070200028 | 1 | +RING, SNAP 28 | +ANNEAU ÉLASTIQUE 28 |
| 11 | A556001760 | 1 | +DRUM, CLUTCH | +TAMBOUR D'EMBRAYAGE |
| 12 | 17504656030 | 2 | BOLT, CLUTCH 8×7.9×M6 | BOULON D'EMBRAYAGE 8×7.9×M6 |
| 13 | 17504956030 | 2 | WASHER, SPRING 8.5×16×0.5 | RONDELLE ÉLASTIQUE 8.5×16×0.5 |
| 14 | P100002270 | 1 | CLUTCH SET | ENSEMBLE D'EMBRAYAGE |
| 15 | 17504805530 | 2 | WASHER 6.2×19×1.0 | RONDELLE 6.2×19×1.0 |
| 16 | V451001390 | 1 | SPRING, CLUTCH | RESSORT D'EMBRAYAGE |
| 17 | V805000150 | 2 | BOLT, TORX 5×16 | BOULON TORX 5×16 |



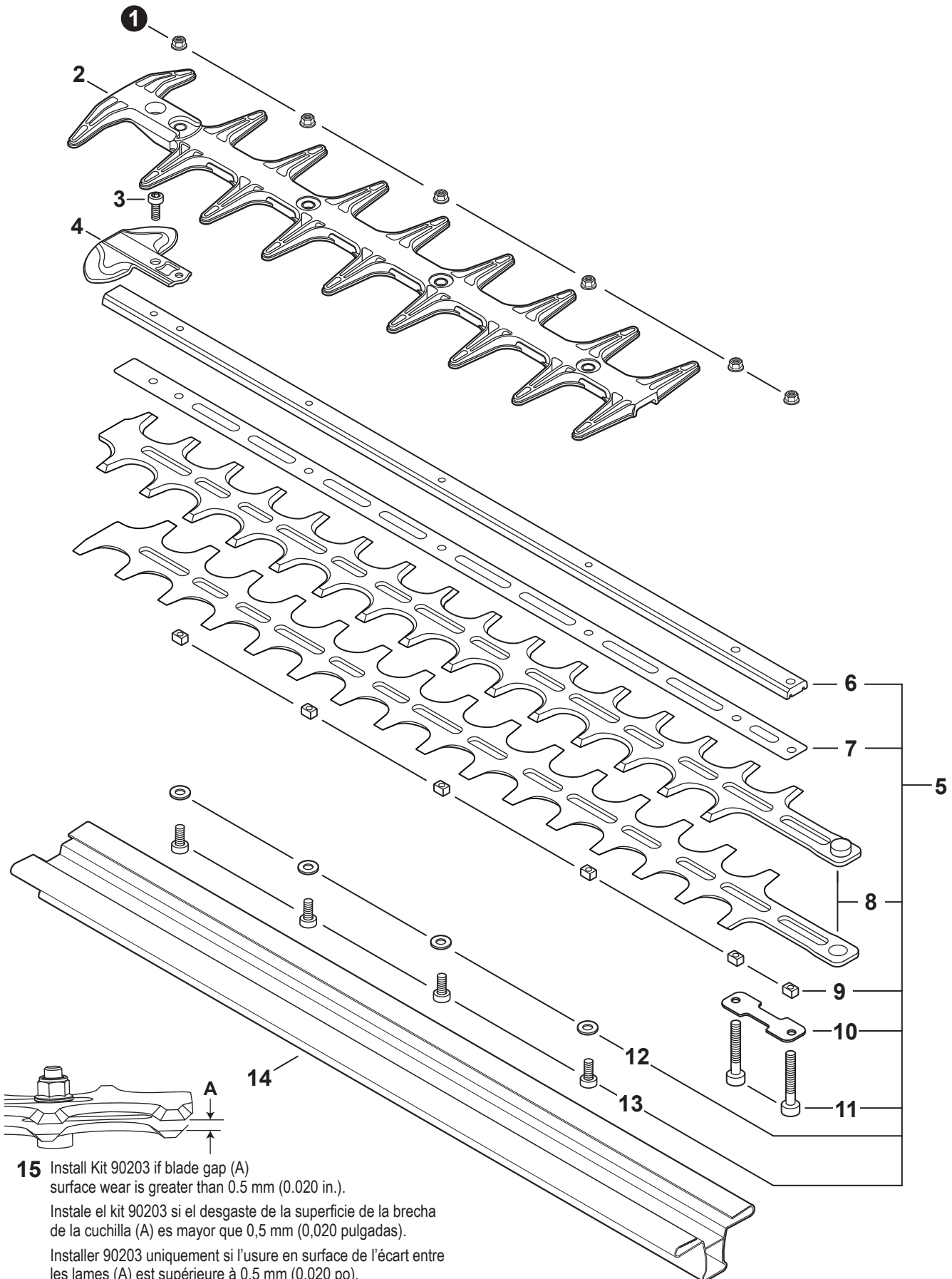
| NO. | PART NUMBER | QTY. | DESCRIPTION | NOM DE LA PIÈCE |
|-----|-------------|------|----------------------------|--------------------------------------|
| 1 | C050003320 | 1 | MAIN PIPE ASSY | TUBE DE TRANSMISSION COMPLET |
| 2 | X505002530 | 1 | +LABEL, CAUTION | +ÉTIQUETTE D'AVERTISSEMENT |
| 3 | 90050000005 | 1 | +NUT M5 | +ÉCROU M5 |
| 4 | C440000022 | 1 | +GUARD, HAND | +PROTEGE-MAIN |
| 5 | V805000160 | 1 | +BOLT, TORX 5×20 | +BOULON TORX 5×20 |
| 6 | C403000470 | 1 | +GRIP, FRONT | +POIGNÉE AVANT |
| 7 | X502000690 | 1 | +LABEL, HANDLE LOCATION | +ÉTIQUETTE - LOCALISATION DE POIGNÉE |
| 8 | 61024644730 | 2 | +STOPPER | +ARRÊT |
| 9 | C507000260 | 1 | +LINER, FLEXIBLE 21.6×1420 | +COUSSINET FLEXIBLE 21.6×1420 |
| 10 | C506000470 | 1 | DRIVESHAFT - FLEXIBLE | ARBRE DE TRANSMISSION - FLEXIBLE |



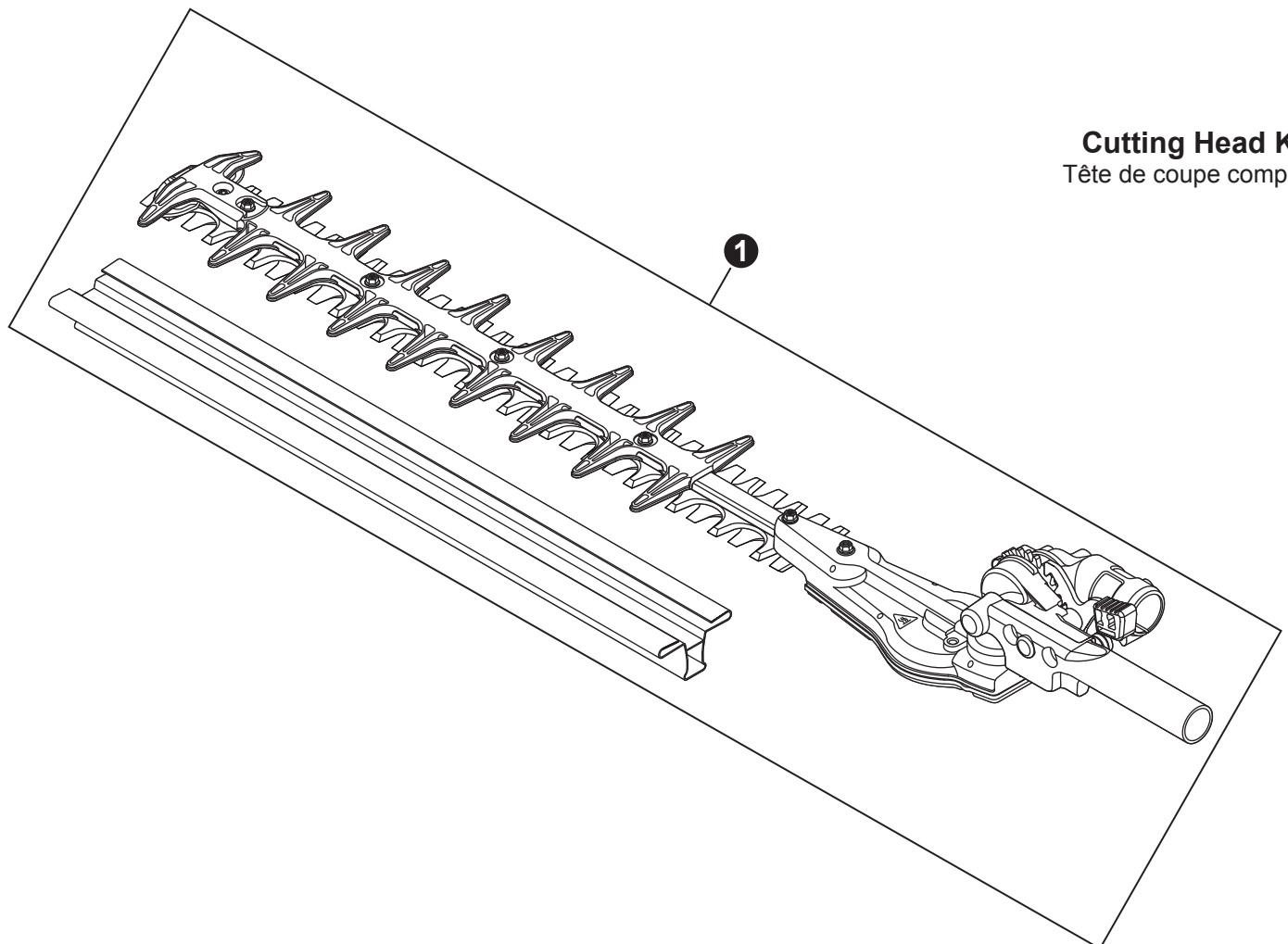
| NO. | PART NUMBER | QTY. | DESCRIPTION | NOM DE LA PIÈCE |
|-----|-------------|------|--------------------------|-----------------------------------|
| 1 | P021052270 | 1 | CONTROL HANDLE ASSY | ASSEMBLAGE DE POIGNÉE DE COMMANDE |
| 2 | P021044371 | 1 | +CONTROL HANDLE KIT | +KIT DE POIGNÉE DE COMMANDE |
| 3 | V805000000 | 4 | ++BOLT, TORX 5×16 | ++BOULON TORX 5×16 |
| 4 | P100002240 | 1 | +CABLE ASSY, CONTROL | +CABLE DE COMMANDE COMPLET |
| 5 | 9154503010 | 1 | ++SCREW 3×10 | ++VIS 3×10 |
| 6 | A444000020 | 1 | ++KNOB, SWITCH - ORANGE | ++BOUTON DU INTERRUPTEUR - ORANGE |
| 7 | V541000600 | 1 | ++SEAL, SWITCH | ++JOINT INTERRUPTEUR |
| 8 | 90051800006 | 1 | +NUT, FLANGE M6 | +ÉCROU À BRIDE M6 |
| 9 | 90050200006 | 1 | +NUT M6 | +ÉCROU M6 |
| 10 | C453000482 | 1 | +TRIGGER, THROTTLE | +GÂCHETTE D'ACCÉLÉRATEUR |
| 11 | V452001520 | 1 | +SPRING, TORSION | +RESSORT DE TORSION |
| 12 | C460000441 | 1 | +LEVER, THROTTLE LOCKOUT | +LEVIER GÂCHETTE DE SÉCURITÉ |
| 13 | V452001510 | 1 | +SPRING, TORSION | +RESSORT DE TORSION |
| 14 | V805000150 | 2 | +BOLT, TORX 5×16 | +BOULON TORX 5×16 |
| 15 | V495003020 | 2 | +CLAMP | +BRIDE |



| NO. | PART NUMBER | QTY. | DESCRIPTION | NOM DE LA PIÈCE |
|-----------|-------------------|----------|------------------------------|--|
| 1 | 90017505012 | 2 | BOLT 5×12 | BOULON 5×12 |
| 2 | C465000040 | 1 | RING, LOCKING | BAGUE DE BLOCAGE |
| 3 | 90072400035 | 1 | O-RING 35 | JOINT TORIQUE 35 |
| 4 | P100003640 | 1 | GEAR, BEVEL | ENGRENAGE CONIQUE |
| 5 | V805000130 | 1 | BOLT, TORX 5×10 | BOULON TORX 5×10 |
| 6 | V805000170 | 1 | BOLT, TORX 5×25 | BOULON TORX 5×25 |
| 7 | P100003610 | 1 | GEAR CASE ASSY | BOÎTIER D'ENGRENAGE COMPLET |
| 8 | C534001100 | 1 | +SHAFT, GEAR | +ARBRE-PIGNON |
| 9 | V623000120 | 1 | +PIN 5 | +GOUPILLE 5 |
| 10 | V187000080 | 1 | +FITTING, GREASE | +EMBOU DE GRAISSAGE |
| 11 | 9241108000 | 1 | +E-RING 8 | +BAGUE EN E 8 |
| 12 | V651001100 | 1 | +GEAR, BEVEL | +ENGRENAGE CONIQUE |
| 13 | 90085706901 | 2 | +BEARING, BALL 6901 | +ROULEMENT À BILLES 6901 |
| 14 | 90070600012 | 1 | +RING, SNAP Ø12 | +ANNEAU ÉLASTIQUE Ø12 |
| 15 | 90070200024 | 1 | +RING, SNAP 24 | +ANNEAU ÉLASTIQUE 24 |
| 16 | C661000210 | 1 | LEVER, LOCK | LEVIER DE BLOCAGE |
| 17 | V494001070 | 1 | CAP | BOUCHON |
| 18 | V204000580 | 2 | BOLT M6 | BOULON M6 |
| 19 | V494000891 | 1 | CAP | BOUCHON |
| 20 | C661000220 | 1 | RELEASE, LOCK | SERRURE DE SÛRETÉ |
| 21 | V452001740 | 1 | SPRING, TORSION | RESSORT DE TORSION |
| 22 | C403000880 | 1 | LEVER, ADJUSTMENT | LEVIER DE RÉGLAGE |
| 23 | 13104528230 | 2 | +SPACER 6.2×7.8×6 | +ENTRETOISE 6.2×7.8×6 |
| 24 | V805000150 | 2 | BOLT, TORX 5×16 | BOULON TORX 5×16 |
| 25 | P100003620 | 1 | GEAR CASE ASSY | BOÎTIER D'ENGRENAGE COMPLET |
| 26 | V187000080 | 1 | +FITTING, GREASE | +EMBOU DE GRAISSAGE |
| 27 | 90080000608 | 1 | +BEARING, BALL 608 | +ROULEMENT À BILLES 608 |
| 28 | V655000110 | 1 | +SHAFT, PINION | +ARBRE DE PIGNON |
| 29 | 90080006001 | 1 | +BEARING, BALL 6001 | +ROULEMENT À BILLES 6001 |
| 30 | 90070200028 | 1 | +RING, SNAP 28 | +ANNEAU ÉLASTIQUE 28 |
| 31 | V650000730 | 1 | +GEAR, SPUR | +ENGRENAGE CYLINDRIQUE |
| 32 | 90070100008 | 1 | +RING, RETAINING 8 | +ANNEAU DE RETENUE 8 |
| 33 | V572000000 | 2 | BEARING, NEEDLE 30 | ROULEMENT À AIGUILLES 30 |
| 34 | P100003630 | 1 | COVER ASSY, GEAR CASE | COUVERCLE BOÎTIER D'ENGRENAGE COMPLET |
| 35 | 90080000608 | 1 | +BEARING, BALL 608 | +ROULEMENT À BILLES 608 |
| 36 | V551000000 | 1 | +BEARING, NEEDLE | +ROULEMENT À AIGUILLES |
| 37 | V804000050 | 6 | BOLT, TORX 4×12 | BOULON TORX 4×12 |
| 38 | V541000620 | 1 | SEAL | JOINT |
| 39 | V150004310 | 1 | PLATE, WEAR | PLAQUE |
| 40 | V060000130 | 1 | GEAR, SPUR | ENGRENAGE CYLINDRIQUE |
| 41 | C532000530 | 2 | ROD, CONNECTING | BIELLE |
| 42 | V150004320 | 1 | PLATE, WEAR | PLAQUE |
| 43 | V110000200 | 1 | GASKET, GEAR CASE | JOINT DE BOÎTIER D'ENGRENAGE |
| 44 | 90056000006 | 1 | NUT, LOCK 6 | ÉCROU D'ARRÊT 6 |
| 45 | 90050200006 | 1 | NUT M6 | ÉCROU M6 |
| 46 | V347000030 | 2 | WASHER, CONE M6 | RONDELLE |
| 47 | 90060300006 | 1 | WASHER 6.5×13×1 | RONDELLE 6.5×13×1 |



| NO. | PART NUMBER | QTY. | DESCRIPTION | NOM DE LA PIÈCE |
|-----|-------------------|----------|------------------------------|------------------------------|
| 1 | 9210805000 | 6 | NUT, FLANGE M5 | ÉCROU À BRIDE M5 |
| 2 | X431000250 | 1 | GUARD, CUTTER BLADE | PROTECTEUR DE LAME |
| 3 | V805000120 | 1 | BOLT, TORX 5×8 | BOULON TORX 5×8 |
| 4 | E278000311 | 1 | GUARD, TIP | GARDE ANTI REBOND |
| 5 | X041000630 | 1 | CUTTER ASSY, 20" | LAME COMPLET 50 CM |
| 6 | X425001030 | 1 | +SUPPORT, CUTTER 20" | +SUPPORT DE LAME 50 CM |
| 7 | X425001040 | 1 | +PLATE, CUTTER 20" | +PLAQUE DE LAME 50 CM |
| 8 | X411001360 | 2 | +CUTTER, 20" | +LAME 50 CM |
| 9 | V353000250 | 6 | +GUIDE, BLADE 5 | +GUIDE DE LAME 5 |
| 10 | V150004330 | 1 | +PLATE, EYE | +PLAQUE |
| 11 | V805000180 | 2 | +BOLT, TORX 5×30 | +BOULON TORX 5×30 |
| 12 | V303000290 | 4 | +WASHER | +RONDELLE |
| 13 | V805000170 | 4 | +BOLT, TORX 5×25 | +BOULON TORX 5×25 |
| 14 | X495000770 | 1 | SCABBARD | FOURREAU |
| 15 | 90203 | 1 | BLADE KIT, ADJUSTABLE | KIT DE LAME AJUSTABLE |

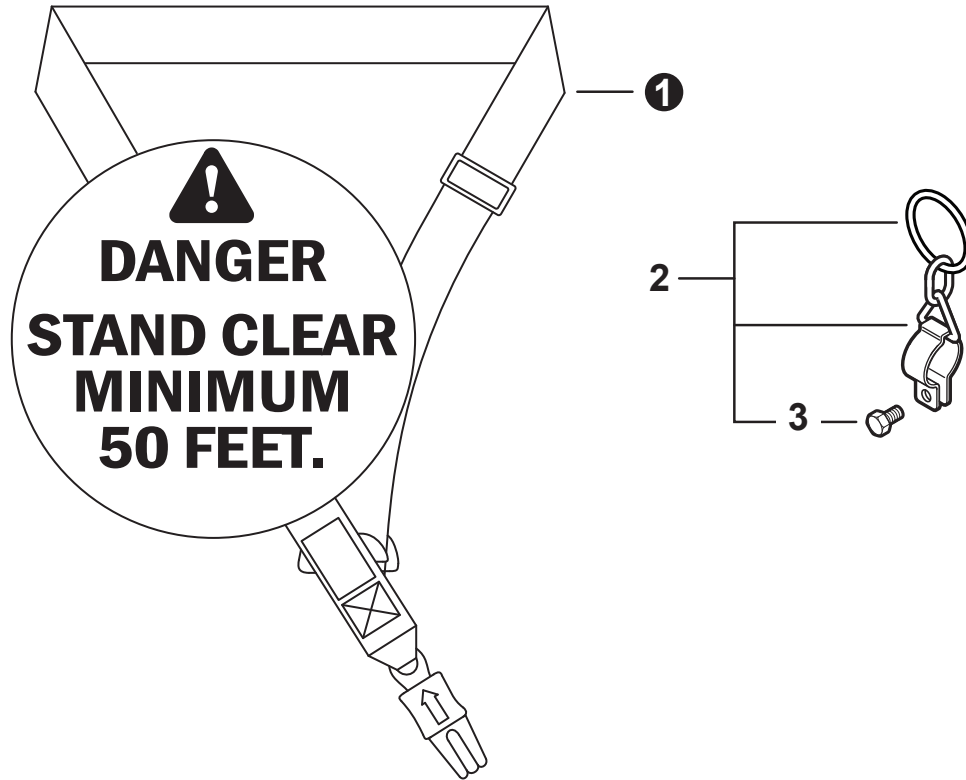


Cutting Head Kit
Tête de coupe complet

| NO. | PART NUMBER | QTY. | DESCRIPTION | NOM DE LA PIÈCE |
|-----|-------------|------|------------------------|-----------------------------|
| 1 | 9001050 | 1 | CUTTING HEAD KIT - HCA | TÊTE DE COUPE COMPLET - HCA |

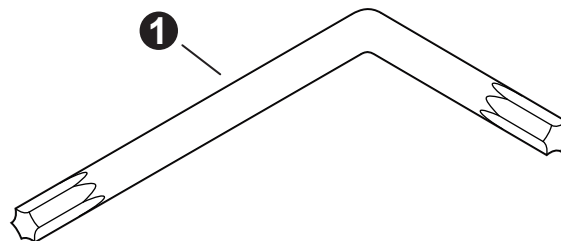


| NO. | PART NUMBER | QTY. | DESCRIPTION | NOM DE LA PIÈCE |
|-----|-------------|------|----------------------------------|---------------------------------------|
| 1 | X532004980 | 1 | LABEL, SPARK PLUG - CMR7H | ÉTIQUETTE BOUGIE CMR7H |
| 2 | X547003190 | 1 | LABEL, RECOIL STARTER - HCA-2620 | ÉTIQUETTE LANCEUR À RAPPEL - HCA-2620 |
| 3 | X503014390 | 1 | LABEL - MODEL HCA-2620 | ÉTIQUETTE MODÈLE HCA-2620 |
| 4 | 89033252730 | 1 | LABEL, CHOKE | ÉTIQUETTE - ÉTRANGLEUR |



| NO. | PART NUMBER | QTY. | DESCRIPTION | NOM DE LA PIÈCE |
|-----|-------------|------|---------------------|--------------------------------|
| 1 | C062000080 | 1 | HARNESS, SHOULDER | HARSAIS D'ÉPAULE |
| 2 | P021051240 | 1 | HANGER SET, HARNESS | ENSEMBLE DE CROCHET DE HARNAIS |
| 3 | V805000140 | 1 | +BOLT, TORX 5×12 | +BOULON TORX 5×12 |

Tools
Outils



| NO. | PART NUMBER | QTY. | DESCRIPTION | NOM DE LA PIÈCE |
|-----|-------------|------|-------------------|-----------------|
| 1 | X605000060 | 1 | WRENCH, T27 80×30 | CLÉ T27 80×30 |

| NO. | PART NUMBER | QTY. | DESCRIPTION | NOM DE LA PIÈCE |
|-----|-------------|------|-------------------------------|---------------------------------------|
| 1 | 90181Y | 1 | TUNE-UP KIT - YOUCAN™ | KIT DE MISE AU POINT - YOUCAN™ |
| 2 | A226002040 | 1 | +PRE-FILTER, FOAM | +PRÉ-FILTRE EN MOUSSE |
| 3 | A226002030 | 1 | +FILTER, AIR | +FILTRE À AIR |
| 4 | A369000470 | 1 | +FILTER, FUEL | +FILTRE À CARBURANT |
| 5 | A425000060 | 1 | +SPARK PLUG - CMR7H | +BOUGIE - CMR7H |
| 6 | 90182Y | 1 | FUEL SYSTEM KIT - YOUCAN™ | KIT DE SYSTÈME DE CARBURANT - YOUCAN™ |
| 7 | A356000031 | 1 | +VENT ASSY | +ÉVENT COMPLET |
| 8 | V490001230 | 1 | +CLIP Ø6.5 MM | +ATTACHE Ø6.5 MM |
| 9 | 13201006530 | 1 | +PIPE, FUEL 3×6×85 BLACK | +TUYAU DE CARBURANT 3×6×85 NOIR |
| 10 | V471004060 | 1 | +PIPE, FUEL 3×5×83 BLACK | +TUYAU DE CARBURANT 3×5×83 NOIR |
| 11 | 13201256030 | 1 | +PIPE, FUEL 3×6×80 CLEAR | +TUYAU DE CARBURANT 3×6×80 CLAIR |
| 12 | 13211555930 | 1 | +GROMMET, FUEL | +RONDELLE DE CARBURANT |
| 13 | V186000520 | 1 | +CONNECTOR, PIPE Ø5×Ø3.5 | +CONNEXION DE TUYAU Ø5×Ø3.5 |
| 14 | V186000500 | 1 | +CONNECTOR, PIPE | +CONNEXION DE TUYAU |
| 15 | V490001240 | 2 | +CLIP Ø6 | +ATTACHE Ø6 |
| 16 | V471003650 | 1 | +PIPE, FUEL - 3×5×125 - BLACK | +TUYAU DE CARBURANT 3×5×125 NOIR |
| 17 | A369000470 | 1 | +FILTER, FUEL | +FILTRE À CARBURANT |
| 18 | V107000150 | 1 | +GASKET, FUEL CAP | +JOINT BOUCHON DE CARBURANT |
| 19 | P021051540 | 1 | GASKET KIT | KIT DE JOINTS |
| 20 | V100000840 | 1 | +GASKET, CYLINDER | +JOINT CYLINDRE |
| 21 | V102000300 | 1 | +GASKET, CRANKCASE | +JOINT CARTER DE MOTEUR |
| 22 | V103001900 | 1 | +GASKET, INTAKE | +JOINT D'ADMISSION |
| 23 | V103001890 | 1 | +HEAT SHIELD, INTAKE | +BOUCLIER THERMIQUE ADMISSION |
| 24 | V104002310 | 1 | +HEAT SHIELD, EXHAUST | +BOUCLIER THERMIQUE ÉCHAPPEMENT |

Bulk Pipe

Tuyau de carburant en vrac

| NO. | PART NUMBER | QTY. | DESCRIPTION | NOM DE LA PIÈCE |
|-----|-------------|------|---|---|
| 1 | 90014 | 1 | BULK PIPE - 3×5 MM BLACK (4 PIECES×2 M) | TUYAU EN VRAC 3×5 MM NOIR (4 PIÈCES×2 M) |
| 2 | 90015 | 1 | BULK PIPE - 3×6 MM BLACK (4 PIECES×2 M) | TUYAU EN VRAC 3×6 MM NOIR (4 PIÈCES×2 M) |
| 3 | 90016 | 1 | BULK PIPE - 3×7 MM BLACK (4 PIECES×2 M) | TUYAU EN VRAC 3×7 MM NOIR (4 PIÈCES×2 M) |
| 4 | 90017 | 1 | BULK PIPE - 3×6 MM CLEAR (4 PIECES×2 M) | TUYAU EN VRAC 3×6 MM CLAIR (4 PIÈCES×2 M) |
| 5 | 90018 | 1 | BULK PIPE - 2×4 MM CLEAR (4 PIECES×2 M) | TUYAU EN VRAC 2×4 MM CLAIR (4 PIÈCES×2 M) |

Bulk Starter Rope

Corde du démarreur en vrac

| NO. | PART NUMBER | QTY. | DESCRIPTION | NOM DE LA PIÈCE |
|-----|-------------|------|-----------------------------------|--|
| 1 | 99944435000 | 1 | BULK STARTER ROPE - Ø 2.3 MM×61 M | CORDE DU DÉMARREUR EN VRAC Ø 2.3 MM×61 M |
| 2 | 99944440000 | 1 | BULK STARTER ROPE - Ø 3.0 MM×61 M | CORDE DU DÉMARREUR EN VRAC Ø 3.0 MM×61 M |
| 3 | 99944445000 | 1 | BULK STARTER ROPE - Ø 3.5 MM×61 M | CORDE DU DÉMARREUR EN VRAC Ø 3.5 MM×61 M |
| 4 | 99944450000 | 1 | BULK STARTER ROPE - Ø 4.0 MM×61 M | CORDE DU DÉMARREUR EN VRAC Ø 4.0 MM×61 M |
| 5 | 99944455000 | 1 | BULK STARTER ROPE - Ø 4.4 MM×61 M | CORDE DU DÉMARREUR EN VRAC Ø 4.4 MM×61 M |
| 6 | 99944460000 | 1 | BULK STARTER ROPE - Ø 4.8 MM×61 M | CORDE DU DÉMARREUR EN VRAC Ø 4.8 MM×61 M |