



# Parts Manual

Mfg. No: 5901798  
Cobalt LE, 37 Gross HP B&S Rider w/ 61"  
Mower Deck



5600860 - Kit, Trailer Hitch (IS3100/IS3200/F320).....

5600864 - 61" iCD TURBO-Pro Max; 3-Bag Soft Top Grass Collection System (3200/320).....

5600891 - Roll Bar Mounted LED Headlight Kit.....

5600031SM - Hitch Kit, ZTR.....

5600898 - Grass Mulcher Kit, 61" Mower Deck.....

5023279YP - Caster Flat Free.....

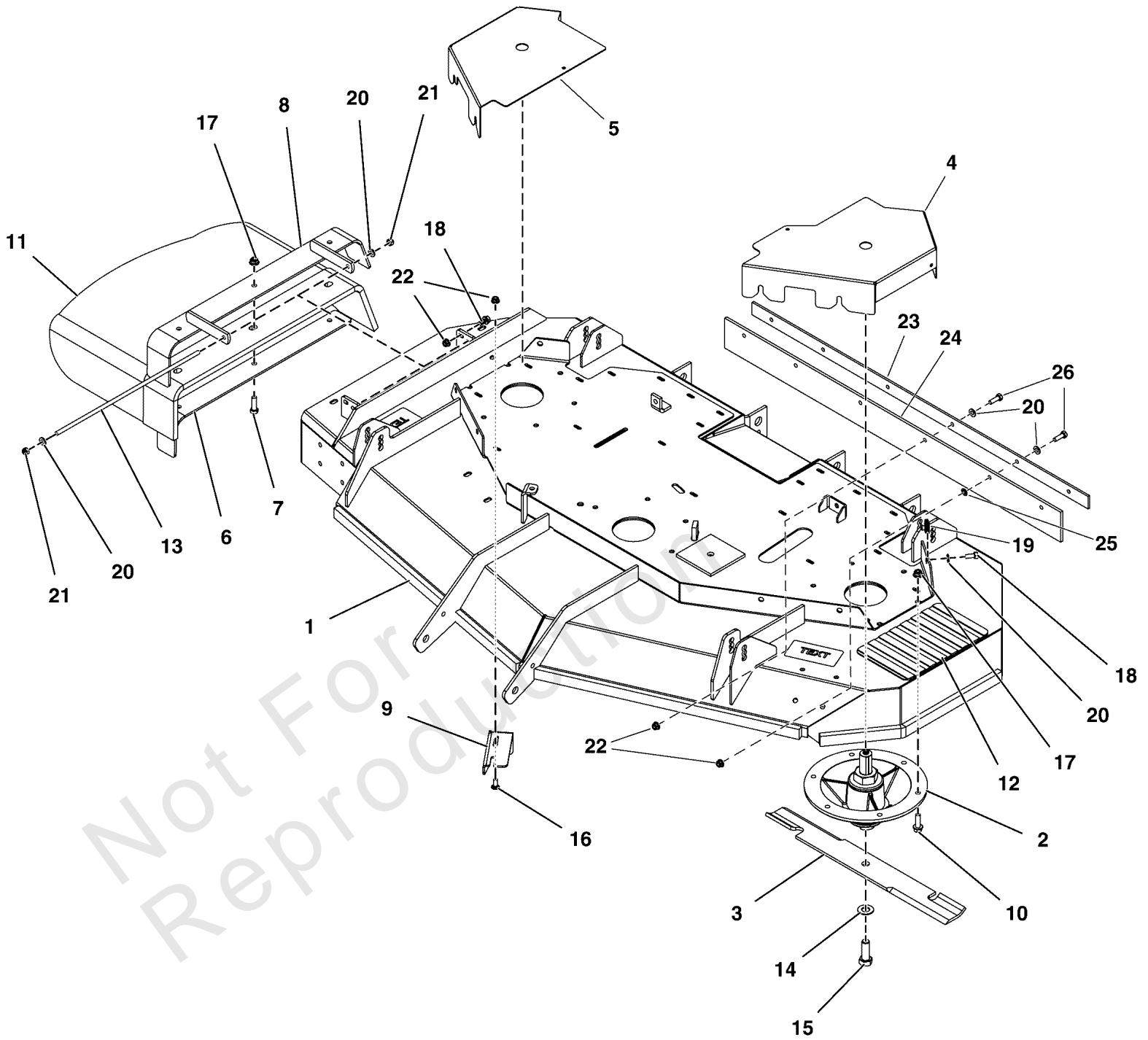
Not For  
Reproduction

<b>Model Components</b>	<b>Page</b>
61" Mower Deck - Housing, Covers, Spindles & Blades (2 Belt System).....	4
61" Mower Deck - Pulleys, Belts & Idler Arms (2 Belt System).....	6
61" Mower Deck Group - Pusher Bars.....	10
61" Mower Deck Group - Rollers.....	12
Decal Group - Brand and Model.....	14
Decal Group - Safety & Operation.....	16
Deck Lift Group.....	18
Deck Lift Group - Deck Hangers.....	22
Electrical Group.....	24
Electrical Schematic - Charging Circuit - B&S 61E877.....	26
Electrical Schematic - Cranking Circuit - B&S 61E877.....	28
Electrical Schematic - Ign. Ground Circuit/Op Pres. - B&S 61E877.....	30
Electrical Schematic - PTO Clutch Circuit - B&S 61E877.....	32
Engine & PTO Group - Briggs & Stratton EFI (Remote Oil Tank).....	34
Engine Remote Oil Tank, Hoses, & Mount Group.....	36
Fuel Supply Hose, Tank Replacement Parts, and EVAP Group.....	38
Fuel Tank & Mount Group.....	40
Hydraulic Group S/N: 4001063571 and Below.....	42
Hydraulic Group S/N: 4001063572 and Above.....	44
Instrument Control Panel Group.....	46
Main Frame & Front Suspension Group.....	48
Motion Control Group - Control System.....	50
Motion Control Group - Handles & Dampeners.....	52
Parking Brake Group.....	54
Rear Bumper and ROPS Group.....	56
Rear Suspension Group.....	58
Seat Mount and Floor Group S/N: 4000875836 and Below.....	60
Seat Mount and Floor Group S/N: 4000875837 and Above.....	62
Spindle Service Parts - 84003242.....	64
Transaxle Drive Group.....	66
Transaxle SERVICE PARTS - ZT5400.....	68
Wheel & Tire Group.....	70
Torque Specification Chart.....	72

# 61" Mower Deck - Housing, Covers, Spindles & Blades (2 Belt System)

Note: Unless noted otherwise, use the standard torque specifications

Mfg. No: 5901798



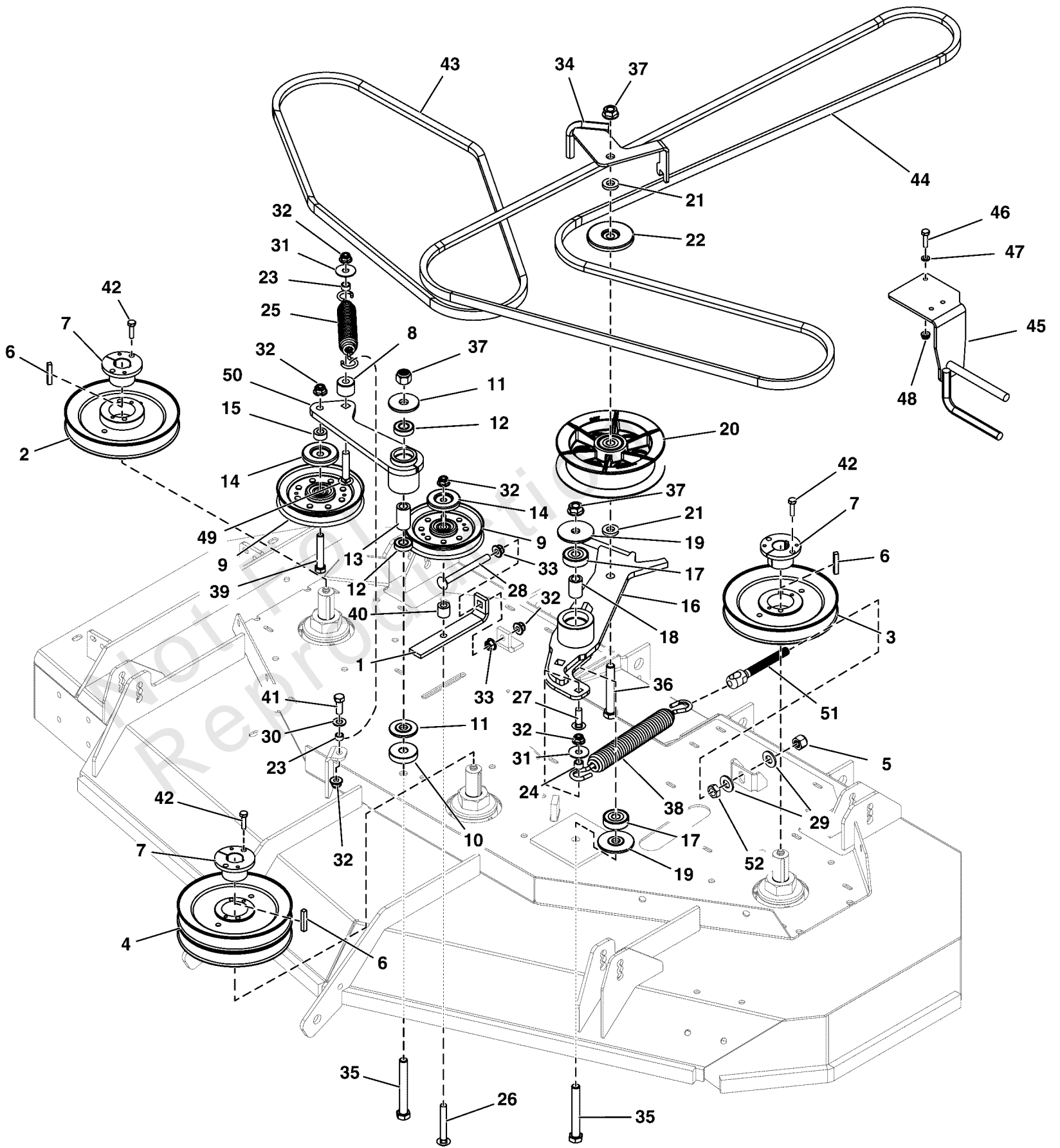
## 61" Mower Deck - Housing, Covers, Spindles & Blades (2 Belt System)

REF NO	PART NO	QTY	DESCRIPTION
1	84007220	1	KIT, Mower Deck
2	84003242	3	SPINDLE ASSEMBLY
3	5101755SYP	1	BLADE, 21 X .25 X 2.5, 1 X 3.5 (SET OF 3) -(Set of 3 blades)
4	84003244	1	GUARD, Belt -(LH)
5	84003243	1	GUARD, Belt -(RH)
6	84003245	1	PLATE, Support
7	5025146X12YP	1	BOLT, Carriage, 3/8-16 X 1 1/2, GR5
8	84003246	1	FRAME, Chute
9	84003247	1	DEFLECTOR
10	770137	18	BOLT, Flange, 3/8-16 X 1 1/4 -(Torque spindle mounting bolts to 30 ft-lbs (41 Nm))
11	5413499YP	1	CHUTE, RUBBER DISCHARGE (5104442)
12	5101005SM	1	SAFETY WALK, 9.75 X 6.00
13	5061300SM	1	MOUNT, Chute
14	5025477SM	3	WASHER, Blade Bolt, 9/16"
15	770136	3	BOLT, 5/8-11 X 1 3/4, GR 8 -(Torque blade mounting bolts to 120 ft-lbs (163 Nm))
16	5025145X6SM	2	BOLT, 5/16-18 X 3/4, CARRIAGE, GD5, CZ
17	5025394SM	21	NUT, Hex Flange, Nylock, 3/8-16
18	5025011X6SM	7	CAPSCREW, Hex Head, 5/16-18 x 3/4
19	5022308SM	6	CLIP, BODY , 5/16-18 FOR 7 GA.
20	703350	8	WASHER, 5/16, Flat SAE, Zinc/Clear
21	5025045SM	2	NUT, Hex Lock, Nylon, 5/16-24
22	703115	9	NUT, Flange Nylock, 5/16-18
23	5405322AYP	1	PLATE SUPPORT
24	5102037YP	1	FLAP STRIPER 61 DEC
25	5025498YP	2	NUT, Push On, 5/16
26	703585	6	CAPSCREW, Hex Head, 5/16-18 x 1

# 61" Mower Deck - Pulleys, Belts & Idler Arms (2 Belt System)

Note: Unless noted otherwise, use the standard torque specifications

Mfg. No: 5901798



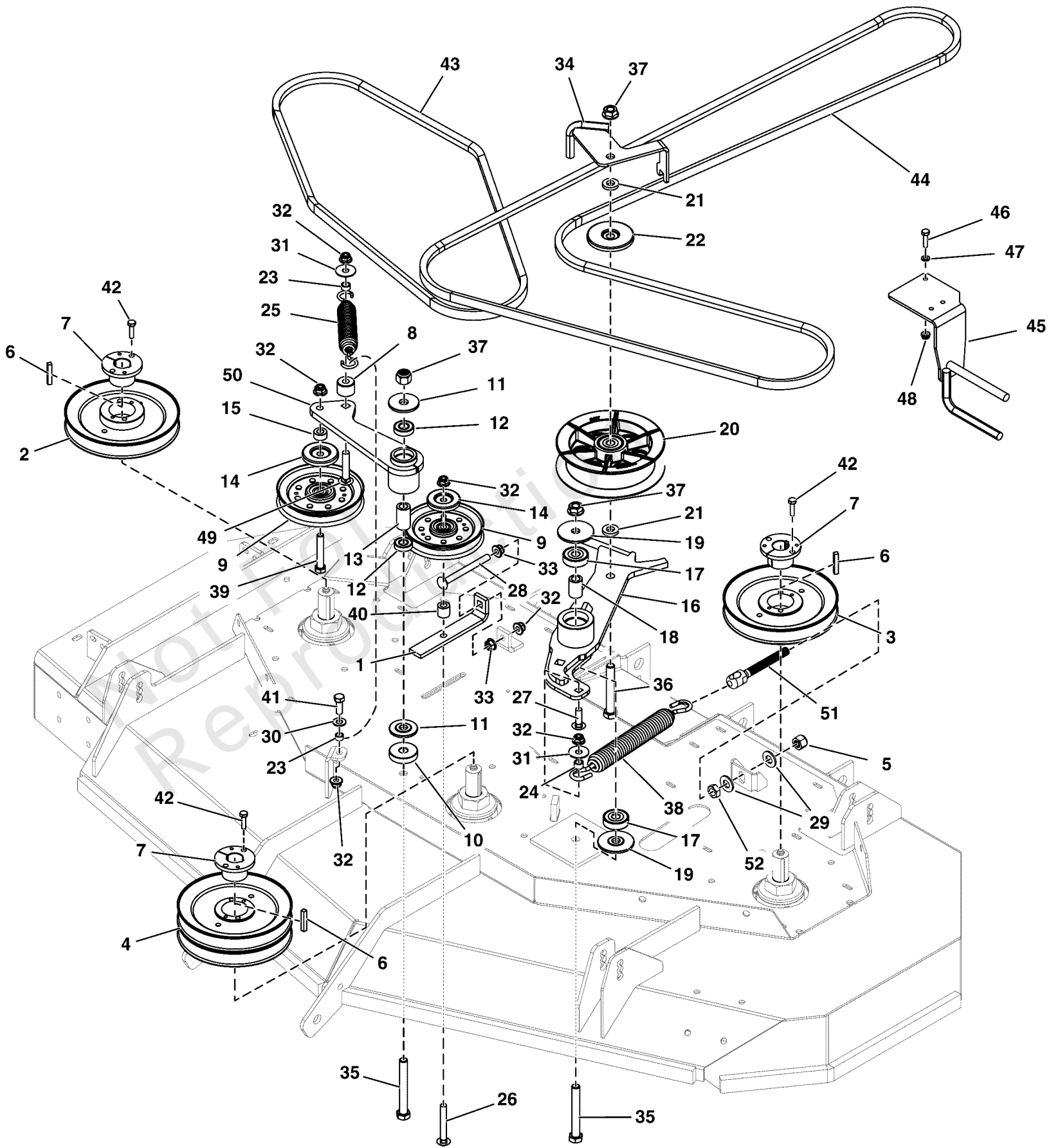
## 61" Mower Deck - Pulleys, Belts & Idler Arms (2 Belt System)

REF NO	PART NO	QTY	DESCRIPTION
1	5415374AYP	1	PLATE, IDLER PULLER - BLK
2	84003248	1	PULLEY -(7.032"OB, HQ BORE - RH)
3	84003249	1	PULLEY -(7.032"OB, HQ BORE - LH)
4	84003250	1	PULLEY -(7.032"OB-DBL, HQ BORE)
5	5025098SM	1	NUT, Hex, Nylon Lock, 1/2-20
6	5022726YP	3	KEY 1/4 SQ X 1 1/2 LONG
7	5020819SM	3	BUSHING, TAPERED HUB
8	5043815YP	1	SPACER, .39 X 1.00 X .75, CZ
9	84004874	2	PULLEY, V-IDLER, 5"OD X 3/8", CZ, TE
10	84003251	1	SPACER -(.52 X 1.75 X .420, CZ)
11	5103262YP	2	SPACER, Idler Arm
12	7078243YP	2	BEARING, Ball
13	5103812YP	1	SPACER
14	5105033YP	2	SHIELD, PULLEY, 3/8"ID X 2"OD, CZ
15	5105429YP	1	SPACER, .39 X 1.00 X .38
16	84003252	1	ARM, Idler
17	5104383YP	2	BEARING, 6203-1/2", SEALED
18	5104456YP	1	SPACER, .51 X .75 X 1.22, PM, CZ
19	5104379YP	2	SPACER, IDLER ARM, 1/2 X 2.25
20	84007049	1	PULLEY ASSEMBLY
21	5100520SM	2	SPACER, .52 X 1.00 X .22, PM, CZ
22	5105041YP	1	SHIELD, PULLEY, 1/2"ID X 2-7/8"OD, CZ
23	5041930SM	2	SPACER, .38 X .50 X .27, CZ
24	5105297YP	1	SPACER, .39 X .63 X .375, DOM
25	5022847SM	1	SPRING, Extension (48" Model - SN: 426 & up)(52: Model - SN: 351 & up)
26	5025146X22YP	1	BOLT, Carriage, 3/8-16 x 2-1/2
27	5025146X12YP	1	BOLT, Carriage, 3/8-16 X 1 1/2, GR5
28	5025146X36YP	1	BOLT, 3/8-16 X 4-1/2, CARRIAGE, GD5, CZ
29	5025158SM	2	WASHER, 1/2
30	703590	1	WASHER, .406
31	5025165SM	2	WASHER, Fender, 3/8
32	5025394SM	6	NUT, Hex Flange, Nylock, 3/8-16
33	5025128SM	2	NUT, Hex, Serrated Flange, 3/8-16 (S/N 616 & up)
34	84003253	1	GUIDE, Belt
35	5025017X32YP	2	BOLT, 1/2-13 X 4 GD5 YZ
36	5025017X28SM	1	CAPSCREW, Hex Hd, 1/2-13 x 3-1/2
37	5025396SM	3	NUT, Hex Flange, 1/2-13
38	5105068YP	1	SPRING, EXT1.22"ODX10.5"FLX.192"WIRE BLK
39	5025013X18SM	1	CAPSCREW, Hex Head, 3/8-16 X 1-3/4
40	5100334SM	1	SPACER
41	5025013X8SM	1	CAPSCREW, Hex Head, 3/8-16 x 1
42	5025010X8SM	6	BOLT, 1/4-20 X 1", GD
43	5104780YP	1	BELT, B-SEC, 64.00 EL, ARAMID, WRPD
44	5104982YP	1	BELT, 5V/SPB, 138.50 EL, LG ARAMID, WRPD
45	84003254	1	GUIDE, Belt
46	5025010X8SM	2	BOLT, 1/4-20 X 1", GD
47	703332	2	WASHER, Flat, 1/4
48	703463	2	NUT, Flange Nylock , 1/4-20

# 61" Mower Deck - Pulleys, Belts & Idler Arms (2 Belt System)

Note: Unless noted otherwise, use the standard torque specifications

Mfg. No: 5901798





## 61" Mower Deck - Pulleys, Belts & Idler Arms (2 Belt System)

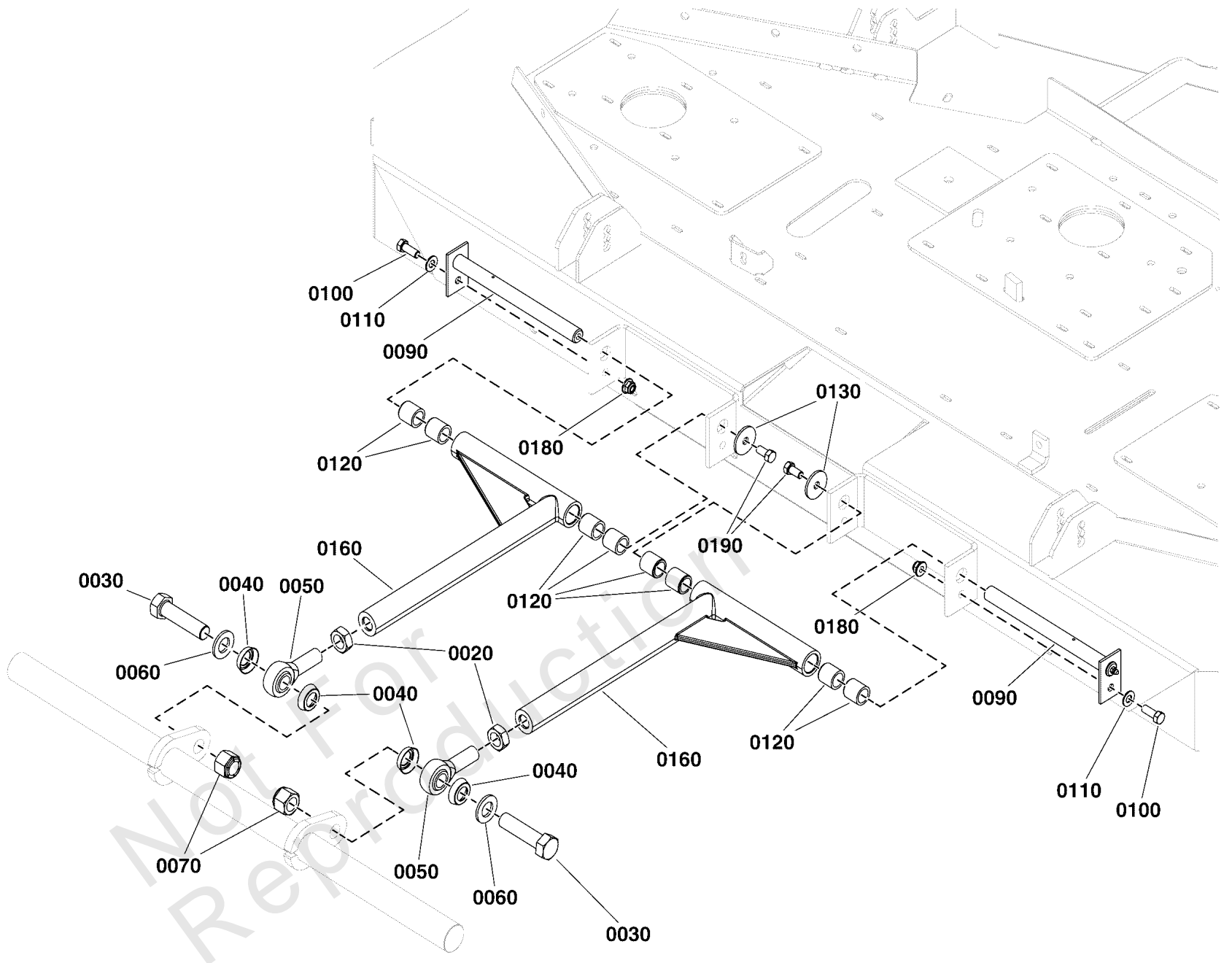
REF NO	PART NO	QTY	DESCRIPTION
49	5025146X16SM	1	BOLT, 3/8-16 X 2, CARRIAGE, GD5, CZ
50	5416161AYP	1	WELD, IDLER ARM, 2 BELT DRIVE - BLK
51	5105844YP	1	SPRING PULLER, 1/2-20, 6.00
52	5025089SM	1	NUT, Hex Jam, 1/2-20

Not For Reproduction

# 61" Mower Deck Group - Pusher Bars

Note: Unless noted otherwise, use the standard torque specifications

Mfg. No: 5901798



## 61" Mower Deck Group - Pusher Bars

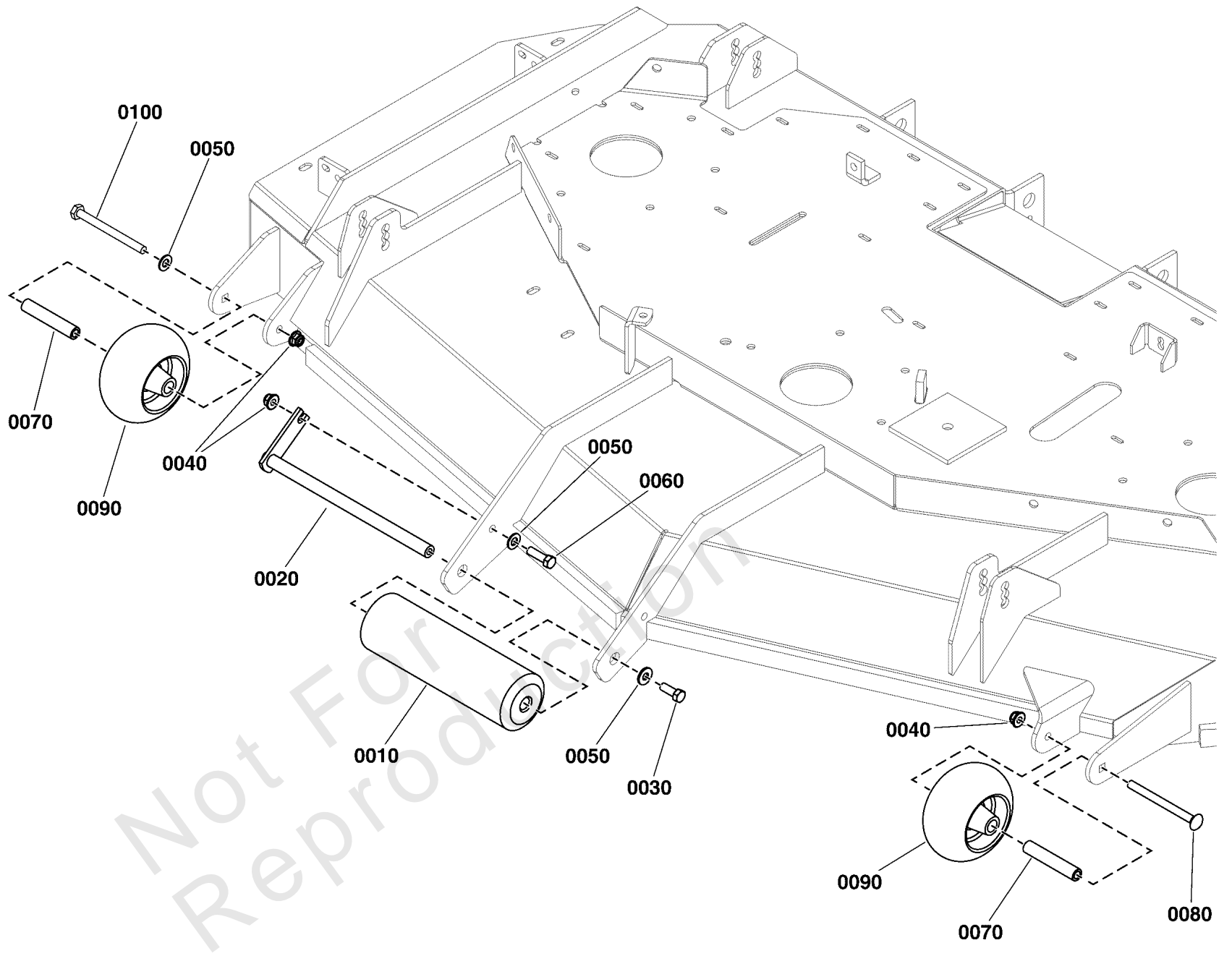
REF NO	PART NO	QTY	DESCRIPTION
0020	5025093SM	2	NUT, Hex, Jam, 3/4-16
0030	5025265X24SM	2	BOLT, 3/4-16 X 3" GD 5
0040	5022111SM	4	ROD END SEAL
0050	5022039SM	2	BALL JOINT, 3/4-16, MALE
0060	5025160SM	4	WASHER, 3/4" SAE
0070	5025284SM	2	NUT, Hex, Nylon Lock, 3/4-16
0090	84003236	2	SHAFT -(Deck Mount)
0100	5025013X8SM	2	CAPSCREW, Hex Head, 3/8-16 x 1
0110	703590	2	WASHER, .406
0120	5023344SM	8	BUSHING
0130	5100548SM	2	WASHER, .390 X 1.50 X .109, YZ
0160	84003237	2	PUSH BAR ASSEMBLY
0180	5025394SM	2	NUT, Hex Flange, Nylock, 3/8-16
0190	5025443SM	2	BOLT, 3/8-16 x 3/4, GD5, YZ WITH PATCH

Not For Reproduction

# 61" Mower Deck Group - Rollers

Note: Unless noted otherwise, use the standard torque specifications

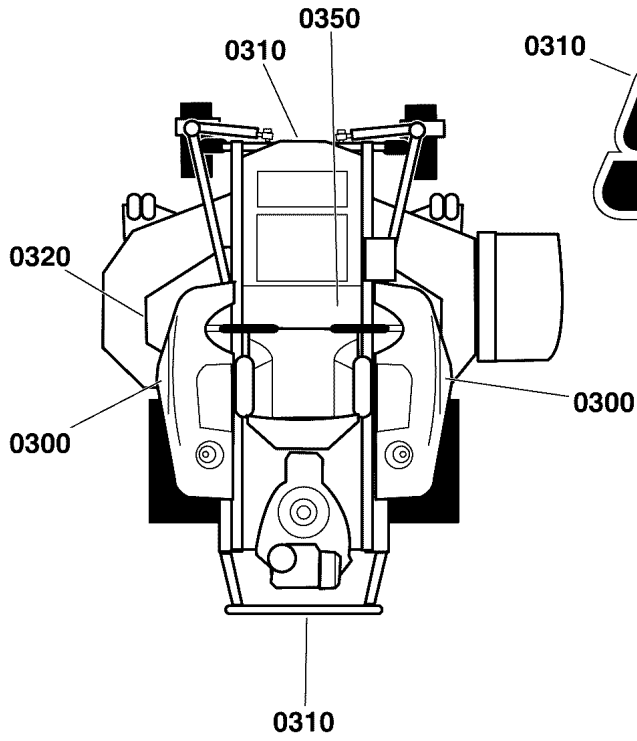
Mfg. No: 5901798



## 61" Mower Deck Group - Rollers

REF NO	PART NO	QTY	DESCRIPTION
0010	5020785SM	1	ROLLER, Nose
0020	5041655AYP	1	WELD, BRACKET, ROLLER PIN - BLK
0030	5025013X8SM	1	CAPSCREW, Hex Head, 3/8-16 x 1
0040	5025394SM	3	NUT, Hex Flange, Nylock, 3/8-16
0050	703590	3	WASHER, .406
0060	5025013X8SM	1	CAPSCREW, Hex Head, 3/8-16 x 1
0070	5105554YP	2	SPACER, .38 X .63 X 3.38, CZ
0080	5025146X36YP	1	BOLT, 3/8-16 X 4-1/2, CARRIAGE, GD5, CZ
0090	5105521YP	2	WHEEL, ANTI SCALP, 5"
0100	5025013X36YP	1	BOLT, 3/8-16 X 4-1/2 GD5 CZ

Not For Reproduction



***Simplicity***<sup>®</sup>

0300 ***Simplicity***<sup>®</sup>

0320 **61"**  
**155cm**

0310 0350  
**LIMITED EDITION**

Not For Reproduction

### *Decal Group - Brand and Model*

---

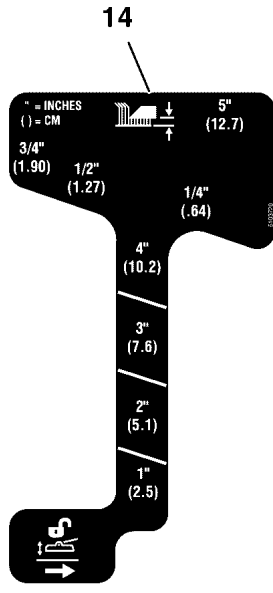
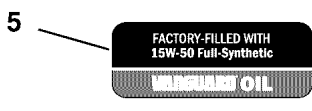
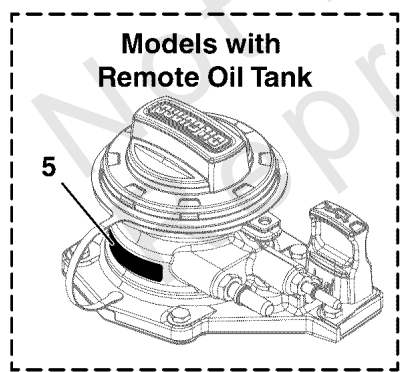
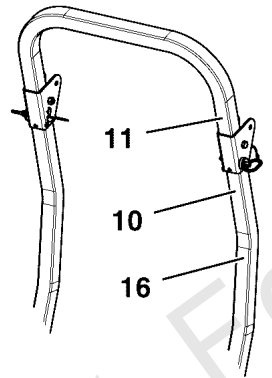
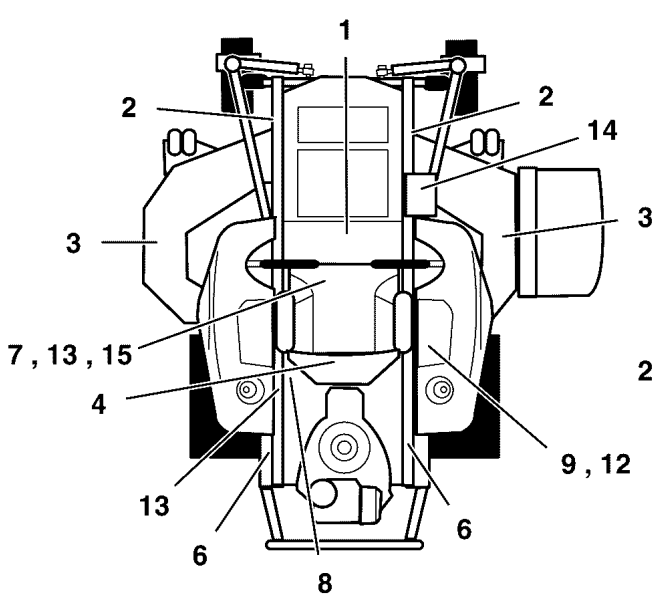
REF NO	PART NO	QTY	DESCRIPTION
0300	1755725YP	2	DECAL, Simplicity Logo, Silver
0310	1757673YP	2	DECAL, Model, SMI Logo 10.47" Long
0320	1755723YP	1	DECAL, MOWER WIDTH 61IN/155CM
0350	84003241	1	DECAL, Model

Not For Reproduction

# Decal Group - Safety & Operation

Note: Unless noted otherwise, use the standard torque specifications

Mfg. No: 5901798



**WARNING**

**Avoid serious injury or death**

- Read operator's manual before using this product.
- Do NOT operate this machine unless you are trained.
- Know the location and function of all controls.
- Keep safety devices (guards, shields, switches, etc.) in place and working.
- Remove objects that could be thrown by the blade.
- Be sure blades and engine are stopped before placing hands or feet near blades.
- When leaving machine, shut off, remove key and set parking brake.

**Fire Hazard**

Gasoline is flammable. Debris is combustible.

- Allow engine to cool for at least 3 minutes before refueling.
- Keep unit cleaned of debris.
- This equipment may create sparks that can start fires around dry vegetation. A spark arrester may be required. Contact local fire agencies for regulations relating to fire prevention requirements.

**DANGER**

**Amputation hazard**

Rotating blades cut off arms and legs.

- Stop the mower when children or others are near.
- Do not carry riders (especially children) even with the blades off. They may fall off or return for another ride when you are not expecting it.
- Look down, behind and to the side before changing directions.

**Water, retaining walls and drop-off hazards**

Wheels dropping over edges may result in serious injury, death or drowning.

- Do NOT operate near water, retaining walls or drop-offs.
- Give yourself a minimum of two mower widths of clearance around these hazards.

**Loss of control and roll-over hazard**

Operating on slopes can be hazardous and cause loss of control and roll-overs.

- Avoid sudden turns or rapid speed changes.
- Reduce speed and use extreme caution on slopes.
- Go across slopes, NOT up and down.
- Do not operate on slopes over 15 degrees.
- If machine stops forward motion on a slope, stop the blades and drive slowly off the slope.

**15° Max.**

**Wet or soft slope hazard**

Wet or soft slopes can cause sliding and loss of control.

- Do NOT operate on slopes when grass is wet.
- Do NOT operate on slopes when soil is soft (such as after heavy rains).

**WARNING**

**PINCH POINT**

To avoid injury from loaded spring, read operator's manual before removing spring.

**DANGER**

**Amputation and thrown objects hazard**

- Keep hands and feet away from deck.
- Do not operate mower unless discharge chute or entire grass catcher is in its proper place.

**WARNING**

**Amputation and Pinch Point Hazard**

To avoid injury from rotating parts, stay clear of parts and keep all shields and guards in place.

**WARNING**

**Avoid serious injury or death from rollover.**

Do not operate without the rollbar installed and operational.

**WARNING**

**Ignition System (Gasoline Models)**

This spark ignition system complies with Canadian standard ICES-002

ACN 008 578 656

**HYDRAULIC OIL RESERVOIR**

USE SAE 20W-50 MOTOR OIL

**WARNING**

**AVOID SERIOUS INJURY OR DEATH FROM ROLL OVER:**

Keep roll bar in the raised position and use seat belt.

THERE IS NO ROLL OVER PROTECTION WHEN THE ROLL BAR IS DOWN

Lower the roll bar only when necessary and NEVER remove it.

Do NOT use seat belt when the roll bar is down.

Raise the roll bar as soon as clearance permits.

Do NOT jump off if mower tips.

Read and follow all operating instructions and warnings in the operator's manual.

**WARNING**

**LOW OVERHANGING OBSTACLES HAZARD**

Check for overhead clearances before driving under any objects. Do NOT allow roll bar to contact low overhanging obstacles, such as tree branches and guide wires.

**Belts & Blades**

Tractor	
Pump Drive Belt	5104378
61" Mower	
Deck Drive Belt - Long LH	5104982
Deck Drive Belt - Short RH	5104780
Mower Blade	5101755S
72" Mower	
Deck Drive Belt - Long LH	5105035
Deck Drive Belt - Short RH	5105036
Mower Blade	5102227S

**CAUTION**

**ROLL OVER PROTECTIVE STRUCTURE**

To maintain operator protection and roll bar certification:

Replace a damaged roll bar, do NOT attempt to repair or modify.

Any alteration of the roll bar must be approved by the manufacturer.

DO NOT exceed the machine weight rating of the roll bar.



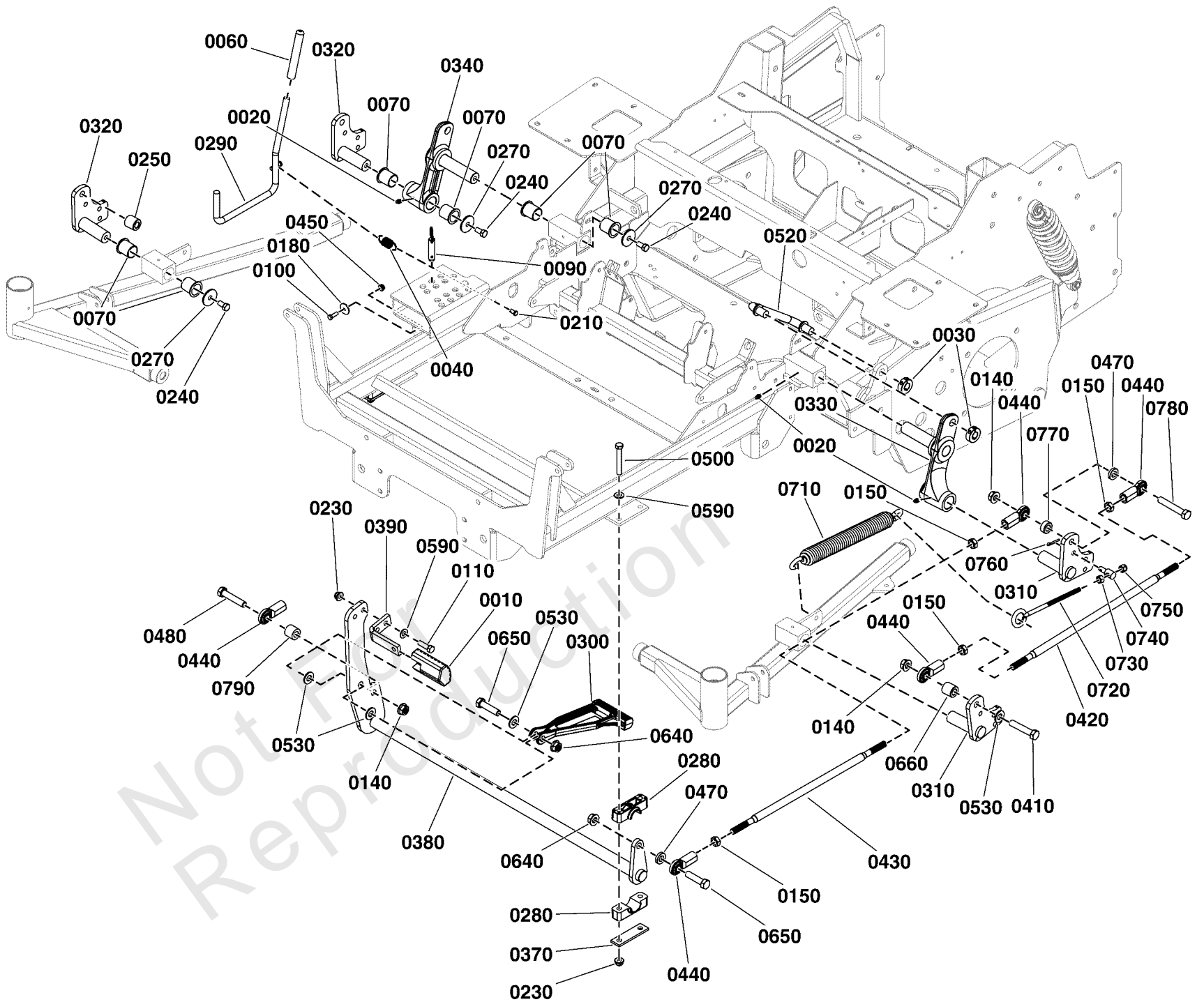
## Decal Group - Safety & Operation

REF NO	PART NO	QTY	DESCRIPTION
1	84001875	1	DECAL, MAIN SAFETY
2	5061245SM	2	DECAL, Pinch Point
3	7101665YP	2	DECAL, Danger
4	5103184YP	1	DECAL, Warning
5	84003293	1	LABEL
6	5100683SM	2	DECAL, WARNING, ROLL BAR
7	5102090YP	1	DECAL, TRANSAXLE RELEASE, S200XT
8	5100342SM	1	DECAL, FUEL VALVE
9	5100280SM	1	DECAL, THROTTLE CONTROL
10	5104082YP	1	DECAL, WARNING, FOLDING ROPS
11	5100405YP	1	DECAL, WARNING OVERHANG, ROPS (SV)
12	5061572SM	1	DECAL, Ignition / Throttle
13	5100957SM	1	DECAL, HYDRAULIC OIL, SAE 20W50 -(Located on cross rail by hydraulic tanks)
14	5103720YP	1	DECAL, CUT HEIGHT, IS700/ZTS700
15	84003294	1	DECAL, Belt & Blade
16	5104083YP	1	DECAL, CAUTION, FOLDING ROPS

# Deck Lift Group

Note: Unless noted otherwise, use the standard torque specifications

Mfg. No: 5901798



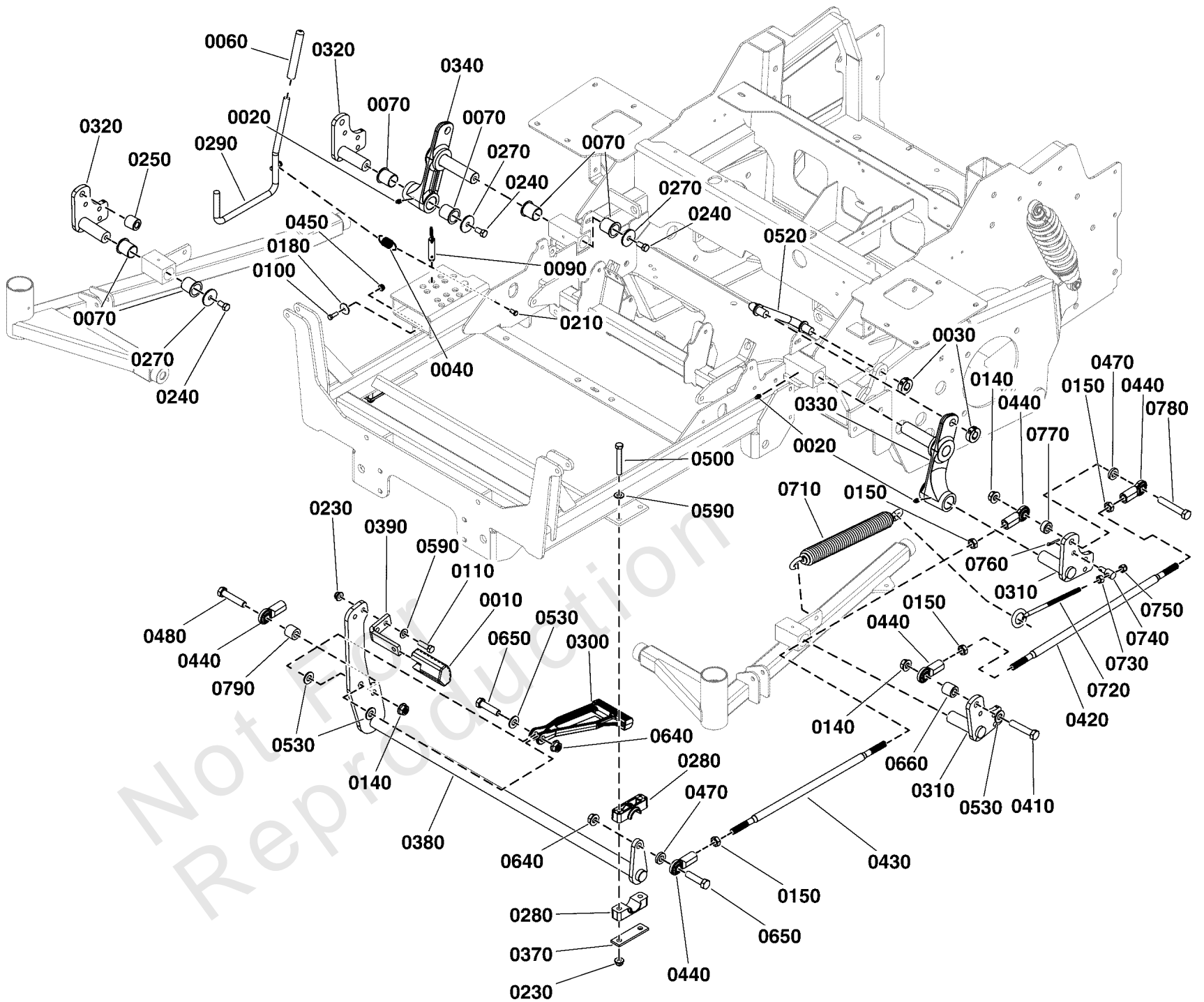
## Deck Lift Group

REF NO	PART NO	QTY	DESCRIPTION
0010	5104262YP	1	PEDAL, Rubber
0020	5045106YP	8	ASSM IDLER ARM
0030	5020441SM	4	COLLAR, 5/8" SPLIT
0040	5010213YP	1	SPRING-EXT, .740 ODX2.025LGX.072WR, BLK
0060	5021880SM	1	GRIP, FOAM, .475 X 4.35 X .095
0070	5023343SM	12	BUSHING, 1.00 X 1.13 X 1.38, PLASTIC
0090	5023498SM	1	PIN, HITCH, 1/2 X 2.00 OAL, YP
0100	001X38MA	2	CAPSCREW, Hex Head, 1/4-20 x 5/8
0110	5025013X10SM	2	CAPSCREW, Hex Head, 3/8-16 x 1-1/4
0140	7091325YP	4	NUT, 1/2-13 HEX NYLON LOCK
0150	5025089SM	8	NUT, Hex Jam, 1/2-20
0180	5025288YP	2	WASHER, 1/4
0210	5025212X4SM	1	PIN, CLEVIS, 1/4 X 1/2, PLATED
0230	5025394SM	6	NUT, Hex Flange, Nylock, 3/8-16
0240	5025443SM	6	BOLT, 3/8-16 x 3/4, GD5, YZ WITH PATCH
0250	5045178SM	1	SPACER, .52 X 1.00 X .75, CZ
0270	5100548SM	6	WASHER, .390 X 1.50 X .109, YZ
0280	5100634SM	4	BLOCK
0290	5410317AYP	1	WELD, Rod, Deck Lift - BLK
0300	5104133YP	1	ARM LINK
0310	84003295	2	LEVER, Lift -(LH)
0320	84003296	2	LEVER, Lift -(RH)
0330	5105172YP	1	ASSM, DECK COMP LINK, LH-CAST
0340	5105173YP	1	ASSM, DECK COMP LINK, RH-CAST
0370	5403925AYP	2	PLATE, Pivot
0380	84003297	1	SHAFT ASSEMBLY
0390	5061569AYP	1	PEDAL, FOOT - BLK
0410	5025017X22SM	1	BOLT, 1/2-13 X 2-3/4 GD5 YZ
0420	84003298	2	ROD, Lift -(20.63")
0430	84003299	2	ROD, Lift -(17.75")
0440	1702779SM	8	JOINT-BALL .500-20 THD .500ID
0450	703463	2	NUT, Flange Nylock , 1/4-20
0470	5100520SM	3	SPACER, .52 X 1.00 X .22, PM, CZ
0480	5025017X20SM	1	BOLT, 1/2-13 X 2-1/2 GD5 YZ
0500	5025013X22SM	4	CAPSCREW, Hex Head, 3/8-16 X 2-3/4
0520	5103703YP	2	ROD, SUSPENSION LINK, IS700, CZ
0530	5025158SM	5	WASHER, 1/2
0590	703590	6	WASHER, .406
0640	5025396SM	3	NUT, Hex Flange, 1/2-13
0650	5025017X16YP	2	CAPSCREW, Hex Head, 1/2-13 x 2
0660	5045178SM	1	SPACER, .52 X 1.00 X .75, CZ
0710	5023392YP	2	SPRING-EXT, 1.393ODX13.25LGX.218WR
0720	5021811SM	2	EYEBOLT, 3/8-16 X 8, 3 THRD, 1 EYE, CZ
0730	5025034SM	2	NUT, 3/8-16 HEX
0740	5100380SM	2	ADJUSTER, DECK HANGER
0750	5025096SM	2	NUT, Hex, Nylon Lock, 3/8-16
0760	5025203X6SM	2	PIN, COTTER, 1/8" X 3/4
0770	5045023SM	2	SPACER, .52 X 1.00 X .44, CZ

# Deck Lift Group

Note: Unless noted otherwise, use the standard torque specifications

Mfg. No: 5901798



## *Deck Lift Group*

---

REF NO	PART NO	QTY	DESCRIPTION
0780	5025017X24SM	2	BOLT, 1/2-13 X 3 GD5 YZ
0790	5045178SM	1	SPACER, .52 X 1.00 X .75, CZ

---

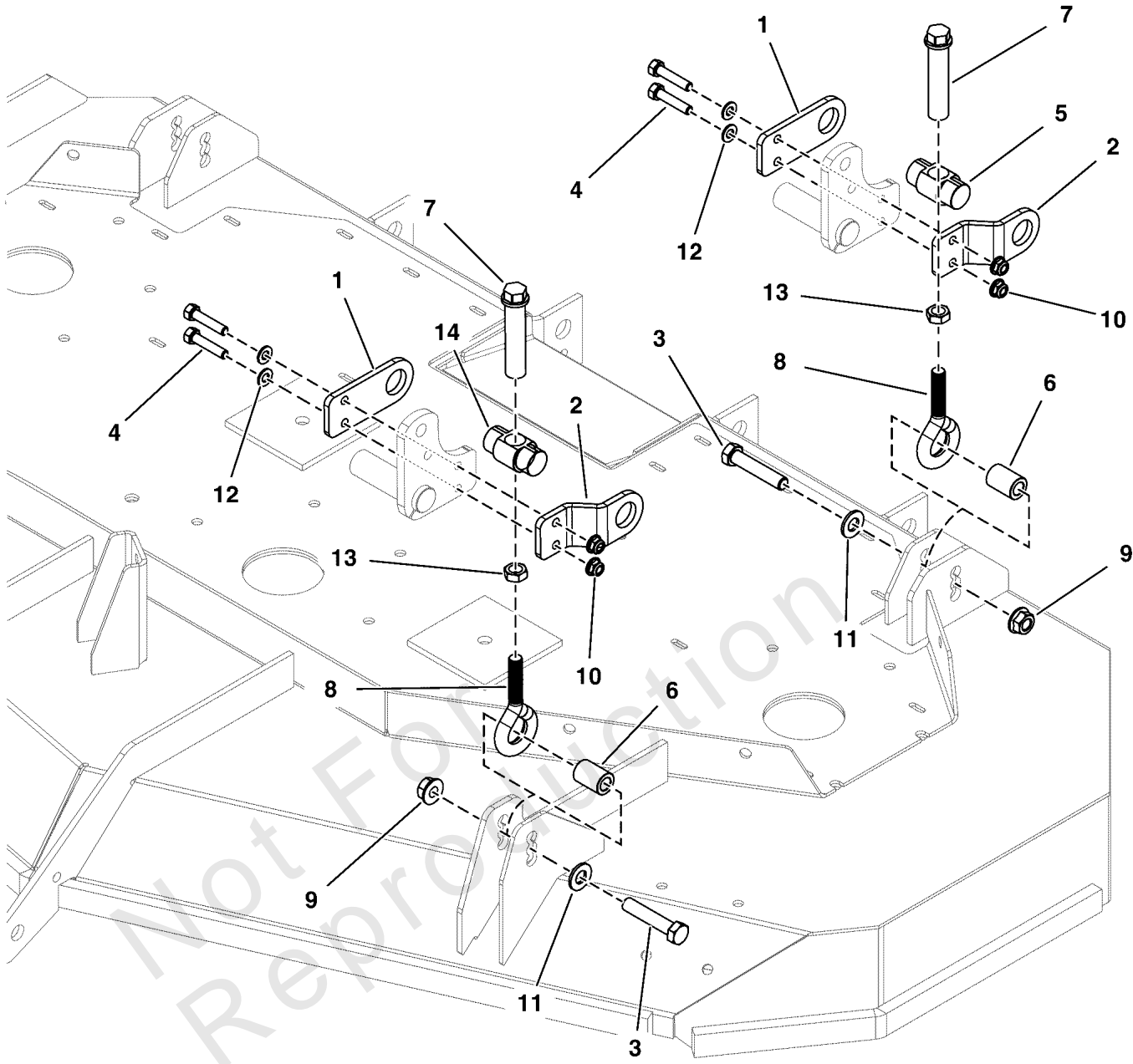
Not For Reproduction

# Deck Lift Group - Deck Hangers

Note: Unless noted otherwise, use the standard torque specifications

Mfg. No: 5901798

5303886C  
5303958C

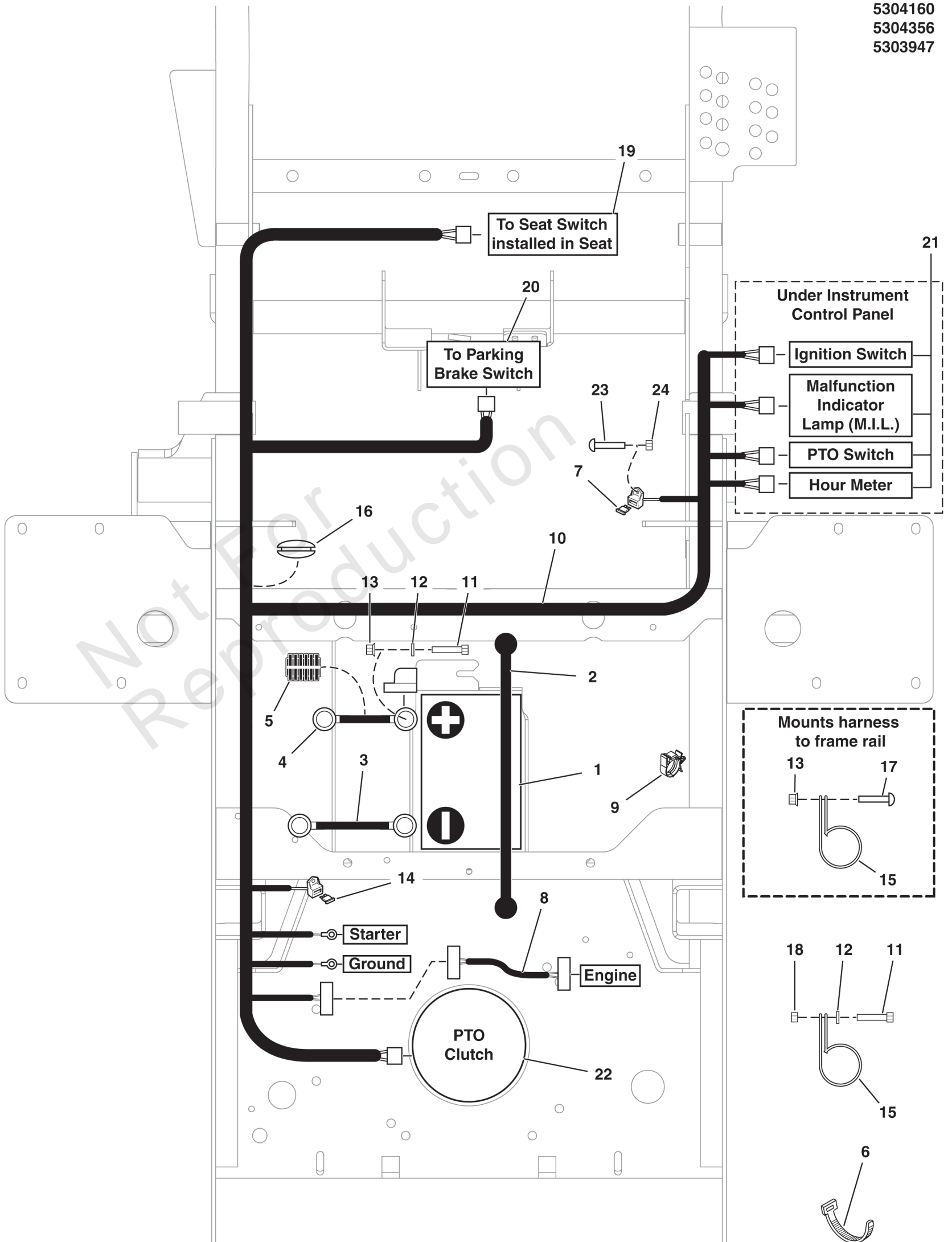


## Deck Lift Group - Deck Hangers

REF NO	PART NO	QTY	DESCRIPTION
1	84003300	4	MOUNT
2	84003301	4	MOUNT
3	5025017X20SM	5	BOLT, 1/2-13 X 2-1/2 GD5 YZ
4	5025013X12SM	8	CAPSCREW, Hex Head, 3/8-16 X 1-1/2
5	84003302	2	TRUNNION
6	84003303	4	SPACER -(.52 X .87 X 1.25, CZ)
7	84003304	4	HEIGHT ADJUST
8	84003305	4	EYE BOLT -(1/2-20X6", 2.5"THRD)
9	5025396SM	7	NUT, Hex Flange, 1/2-13
10	5025394SM	12	NUT, Hex Flange, Nylock, 3/8-16
11	5025158SM	9	WASHER, 1/2
12	703590	14	WASHER, .406
13	5025089SM	12	NUT, Hex Jam, 1/2-20
14	84003306	2	TRUNNION

Not For Reproduction

5304160  
5304356  
5303947





## Electrical Group

REF NO	PART NO	QTY	DESCRIPTION
1	-----	1	BATTERY, WET ( BCIU1, 340 CCA)
2	1722009SM	1	STRAP, Rubber, 13"
3	5021406SM	1	CABLE, Negative (-) Battery (not shown)
4	5021405SM	1	BATTERY CABLE, POS, 22, 1/4-5/16
5	5050927X16YP	1	WIRE LOOM, 3/8 ID X 16 IN
6	5021029SM	8	TIE, SELF-LOCKING, 12"
7	5102710YP	1	FUSE, ATO, 25 AMP
8	84003308	1	HARNESS, Wiring
9	5104705YP	2	ROSEBUD LOOM CLIP
10	5105535YP	1	HARNESS, LARGE WIRING
11	5025010X6SM	3	CAPSCREW, Hex Head, 1/4-20 x 3/4 (stiffener to top of cover)
12	703332	3	WASHER, Flat, 1/4
13	703233	4	NUT, Serrated, Flange, 1/4-20, GR5
14	5101935YP	2	FUSE, ATO, 15 AMP (SV)
15	5021500SM	3	CLAMP, VINYL INSULATED, 1.00
16	5102677YP	1	GROMMET, 1-1/2" ID FOR 1/4" METAL
17	5025299X8YP	2	CAPSCREW
18	703463	3	NUT, Flange Nylock , 1/4-20
19	-----	1	Refer to: Seat Mount & Floor Group
20	-----	1	Refer to: Parking Brake Group
21	-----	1	Refer to: Instrument Control Panel Group
22	-----	1	Refer to: Engine & PTO Group
23	5025179X4YP	1	SCREW- #10-24 X 1/2 ROUND PHILLIPS
24	5025271YP	1	NUT, #10-24 HEX NYLON LOCK

# Electrical Schematic - Charging Circuit - B&S 61E877

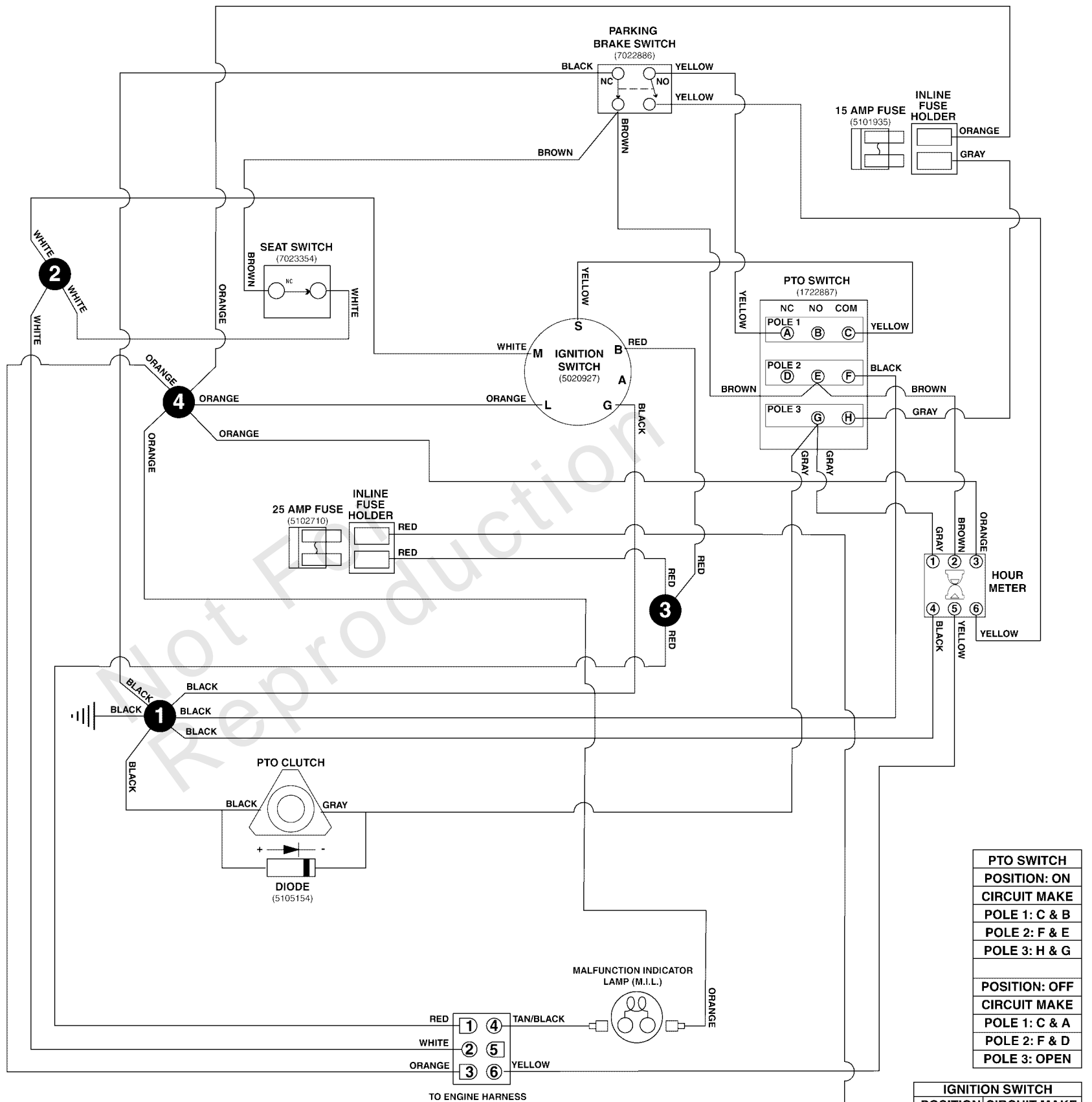
Note: Unless noted otherwise, use the standard torque specifications

Mfg. No: 5901798

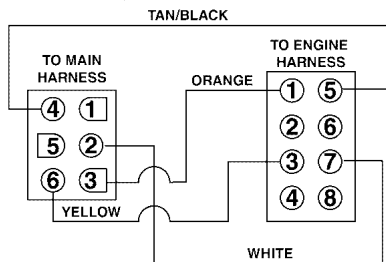
## 5105535 MAIN WIRE HARNESS - BRIGGS & STRATTON 61E877 EFI ENGINES

5105535B

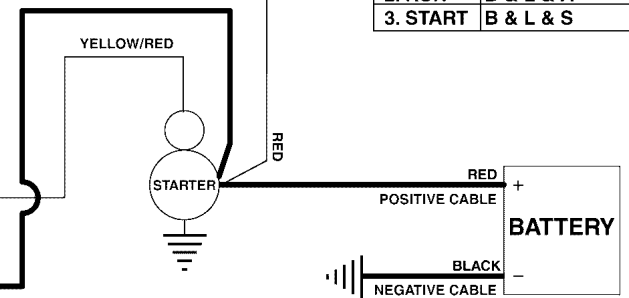
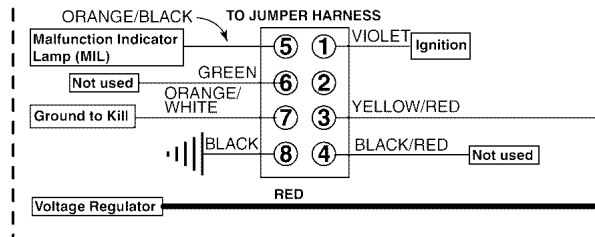
(If internal schematic of the switch is not shown, the image of the switch represents the back view of the connector as it is connected to the switch.)



### 5415669 / JUMPER HARNESS



### BRIGGS & STRATTON ENGINE HARNESS



## ***Electrical Schematic - Charging Circuit - B&S 61E877***

---

<b>REF NO</b>	<b>PART NO</b>	<b>QTY</b>	<b>DESCRIPTION</b>
5105535	5105535YP	1	HARNESS, LARGE WIRING
5415669	84003308	1	HARNESS, Wiring

---

Not For Reproduction



## ***Electrical Schematic - Cranking Circuit - B&S 61E877***

---

<b>REF NO</b>	<b>PART NO</b>	<b>QTY</b>	<b>DESCRIPTION</b>
5105535	5105535YP	1	HARNESS, LARGE WIRING
5415669	84003308	1	HARNESS, Wiring

---

Not For Reproduction

# Electrical Schematic - Ign. Ground Circuit/Op Pres. - B&S 61E877

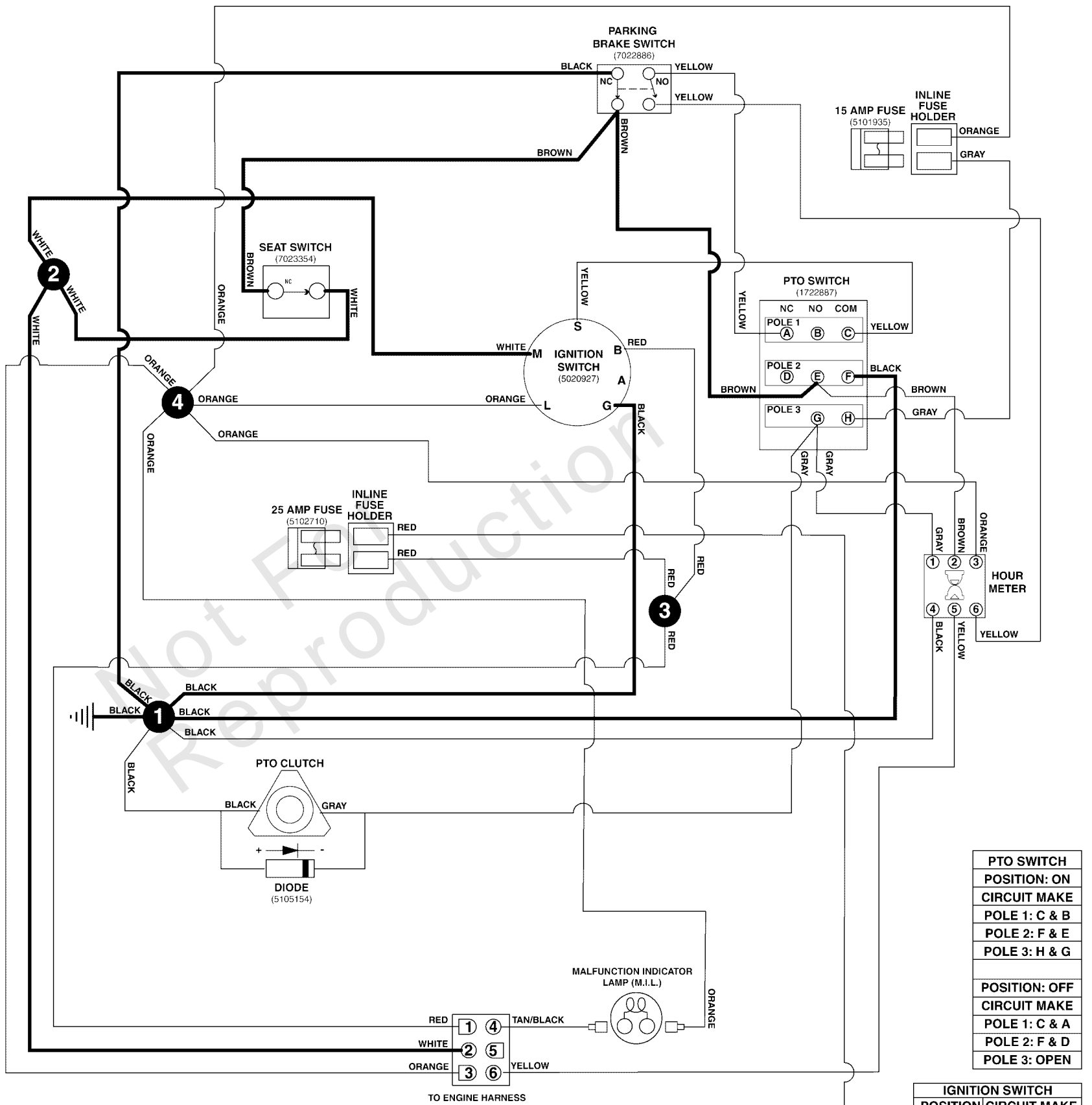
Note: Unless noted otherwise, use the standard torque specifications

Mfg. No: 5901798

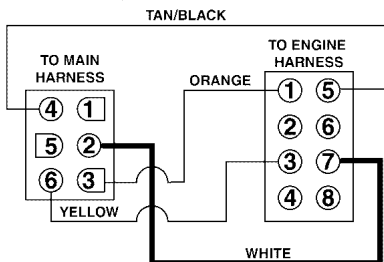
## 5105535 MAIN WIRE HARNESS - BRIGGS & STRATTON 61E877 EFI ENGINES

5105535B

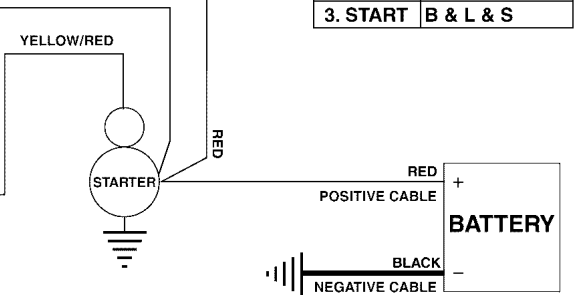
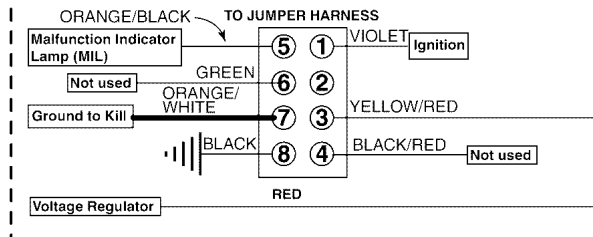
(If internal schematic of the switch is not shown, the image of the switch represents the back view of the connector as it is connected to the switch.)



### 5415669 / JUMPER HARNESS



### BRIGGS & STRATTON ENGINE HARNESS



**Electrical Schematic - Ign. Ground Circuit/Op Pres. - B&S 61E877**

---

REF NO	PART NO	QTY	DESCRIPTION
5105535	5105535YP	1	HARNESS, LARGE WIRING
5415669	84003308	1	HARNESS, Wiring

---

Not For Reproduction

# Electrical Schematic - PTO Clutch Circuit - B&S 61E877

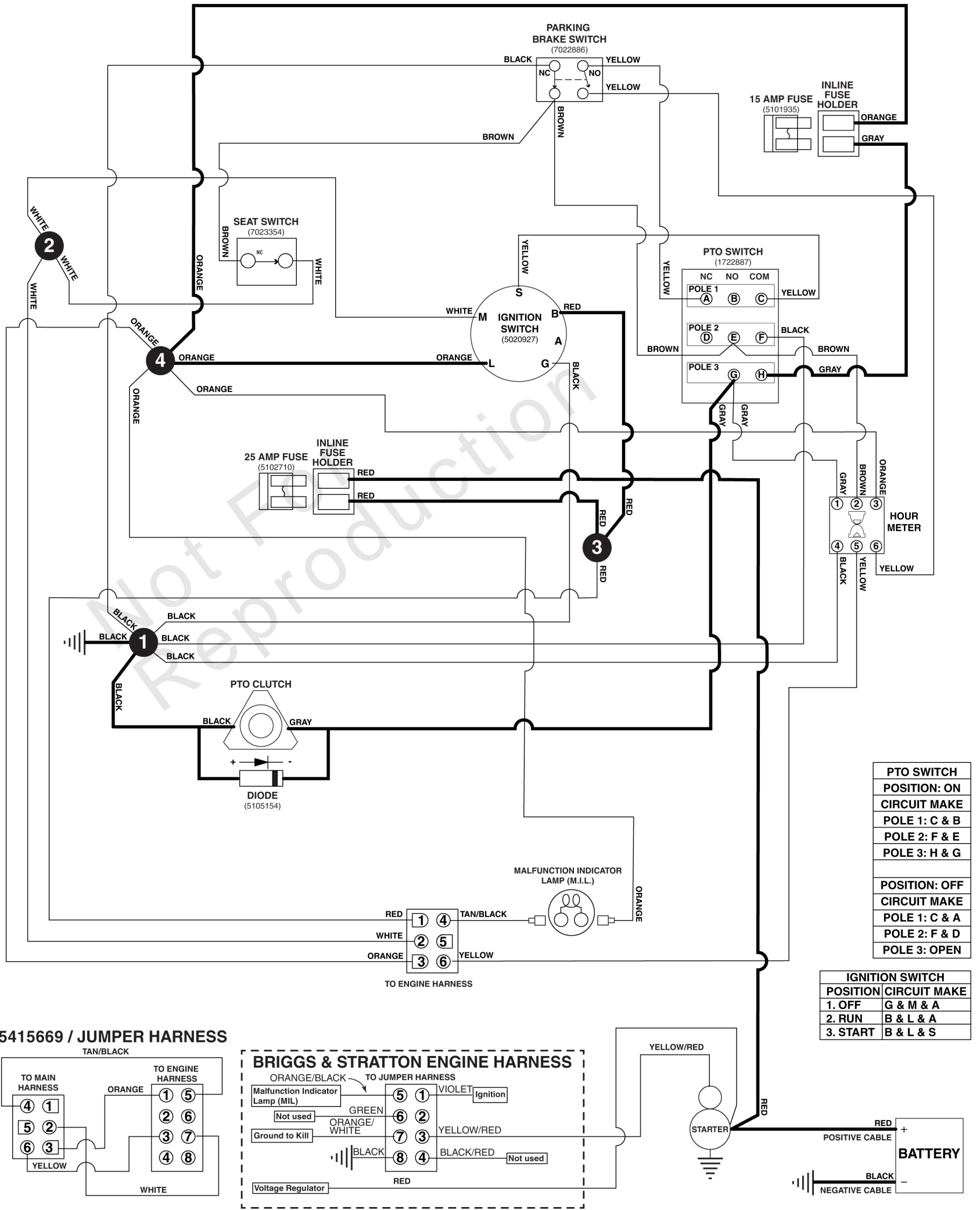
Note: Unless noted otherwise, use the standard torque specifications

Mfg. No: 5901798

## 5105535 MAIN WIRE HARNESS - BRIGGS & STRATTON 61E877 EFI ENGINES

5105535B

(If internal schematic of the switch is not shown, the image of the switch represents the back view of the connector as it is connected to the switch.)





## Electrical Schematic - PTO Clutch Circuit - B&S 61E877

---

REF NO	PART NO	QTY	DESCRIPTION
5105535	5105535YP	1	HARNESS, LARGE WIRING
5415669	84003308	1	HARNESS, Wiring

---

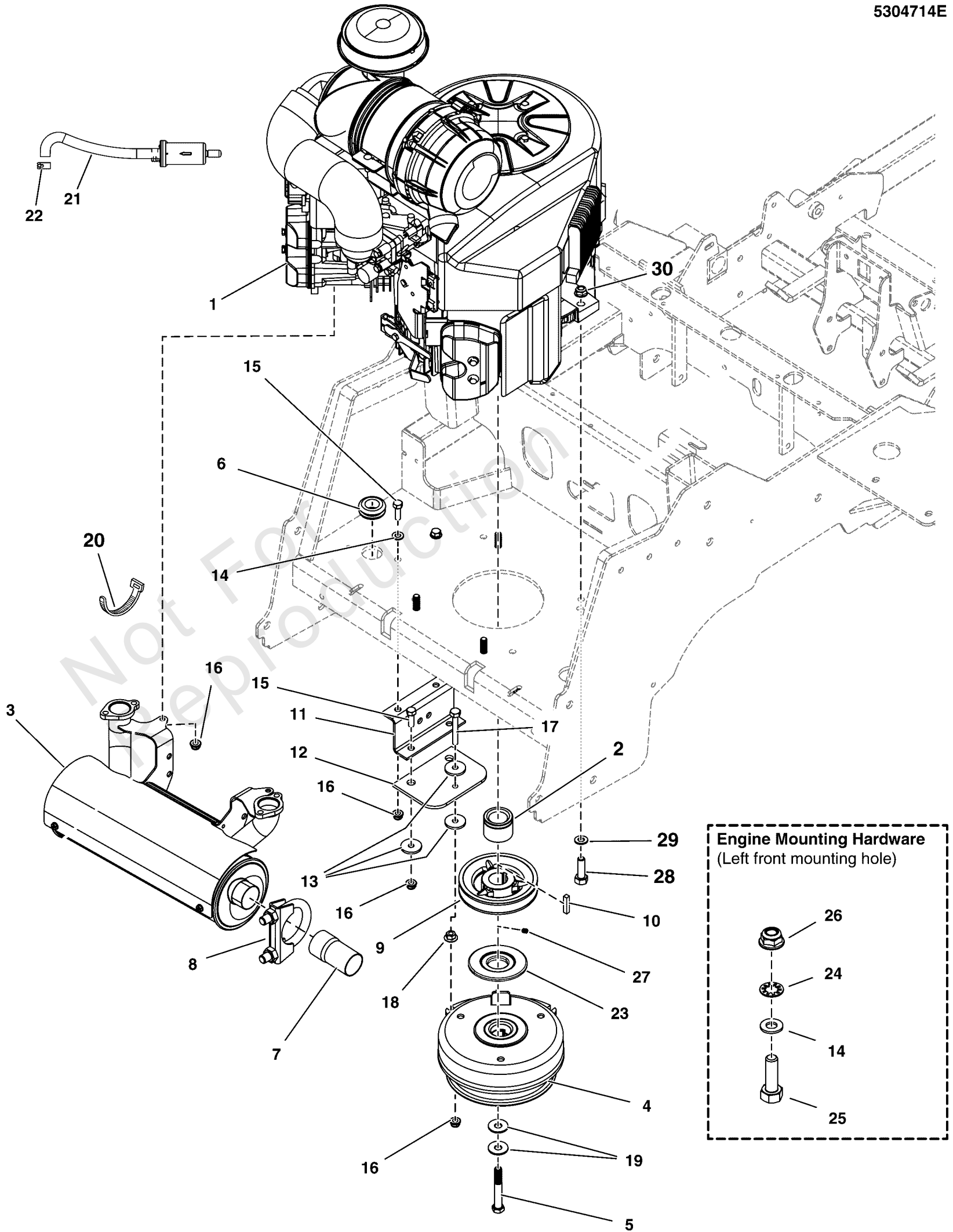
Not For Reproduction

# Engine & PTO Group - Briggs & Stratton EFI (Remote Oil Tank)

Note: Unless noted otherwise, use the standard torque specifications

Mfg. No: 5901798

5304714E



## Engine & PTO Group - Briggs & Stratton EFI (Remote Oil Tank)

REF NO	PART NO	QTY	DESCRIPTION
1	61E877-0005-J1	1	ENGINE, Briggs & Stratton
2	5100926YP	1	SPACER, 1.13 X 1.75 X 1.35, CZ
3	846819	1	MUFFLER
4	84006865	1	KIT, Clutch -(Refer to Note: *)
5	5103300YP	1	BOLT, CRANKSHAFT, 7/16-20 X 3-1/4, GD8
6	5103944YP	1	GROMMET, 7/8"ID, 1/4" THICK STK
7	84003194	1	PIPE, Exhaust -(1.78"ID X 5" LG)
8	84003195	1	CLAMP, Muffler -(1-7/8")
9	5021682YP	1	PULLEY, 4.75 OD X 1-1/8 BORE, BC-48
10	5050407X10YP	1	KEY, 1/4 SQ. X 1-1/4
11	5410367AYP	1	ANCHOR, CLUTCH, IS600-IS700 - BLK
12	5043636SM	1	PAD, Clutch Anchor
13	5044617SM	4	WASHER, CLUTCH ANCHOR, 5/16
14	703350	3	WASHER, 5/16, Flat SAE, Zinc/Clear
15	703585	4	CAPSCREW, Hex Head, 5/16-18 x 1
16	703115	6	NUT, Flange Nylock, 5/16-18
17	5025055X18YP	1	BOLT, 5/16-18 X 2-1/4
18	5025139SM	1	NUT, 5/16-18 HEX SERRATED FLANGE (LARGE)
19	5025585YP	2	BELLEVILLE, WASHER, 1.1875 X .442 X .089
20	5021030SM	1	TIE, 6" Self-Locking
20	5101492YP	1	TIE, SELF-LOCKING, 24"
21	84003196	1	Hose/Filter Assembly
22	84003197	1	CLAMP, Hose -(9/16)
23	84006413	1	GUARD -(S/N: 4001550167 and above)
24	5025188SM	1	WASHER, 5/16" Internal Tooth Lock
25	5025025X14YP	1	BOLT, 5/16-24 X 1-3/4, GD8, PHOS
26	5025616YP	1	NUT, 5/16-24, TOP LOCK FLANGE, GD8 PHOS
27	5025531YP	2	SCREW, Set, 5/16-18 X 3/8
28	5025013X14SM	3	CAPSCREW, Hex Head, 3/8-16 X 1-3/4
29	703590	3	WASHER, .406
30	5025394SM	3	NUT, Hex Flange, Nylock, 3/8-16

### Footnotes:

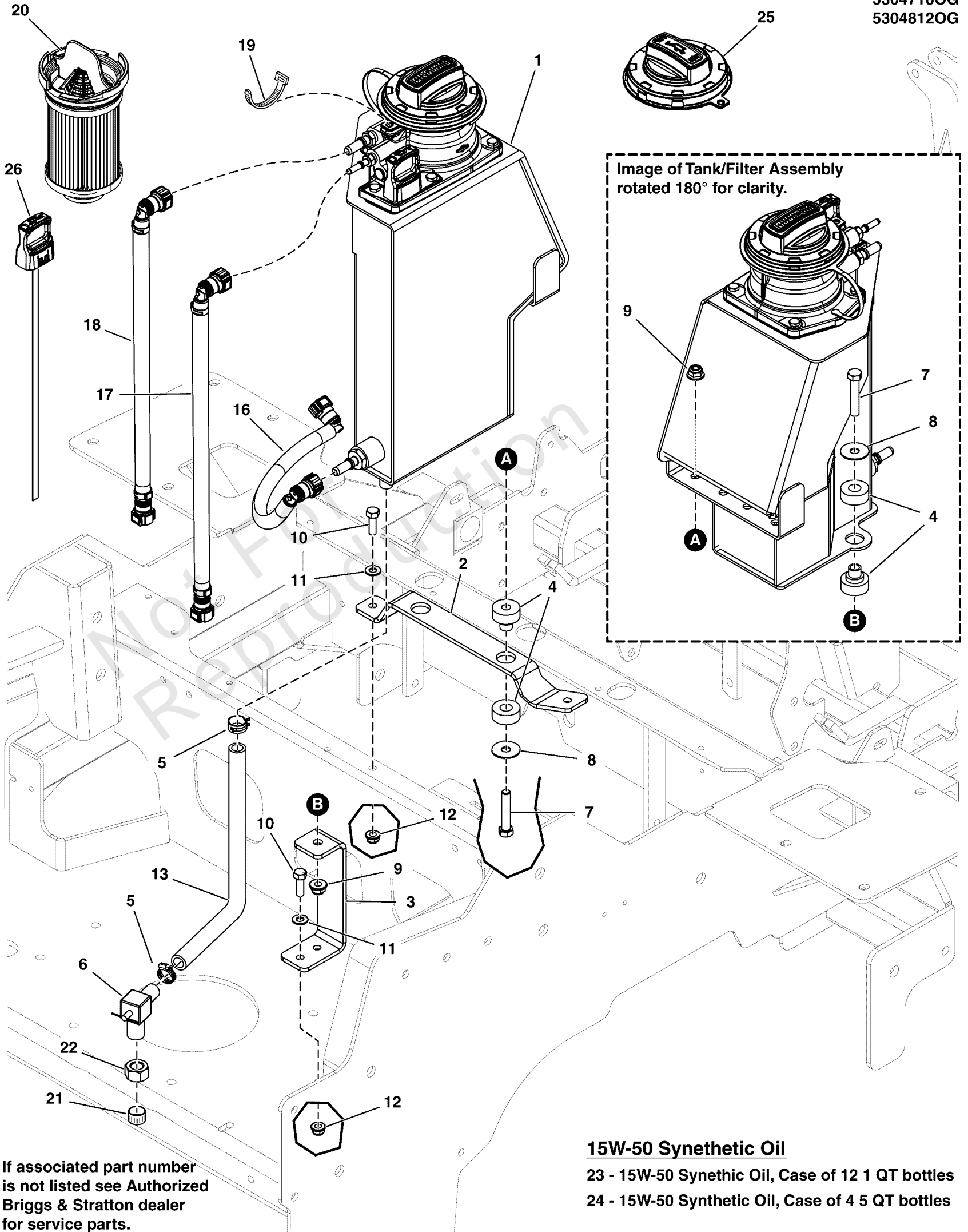
Note: \*Item #23.

# Engine Remote Oil Tank, Hoses, & Mount Group

Note: Unless noted otherwise, use the standard torque specifications

Mfg. No: 5901798

53047100G  
53048120G



If associated part number is not listed see Authorized Briggs & Stratton dealer for service parts.

## 15W-50 Synthetic Oil

23 - 15W-50 Synthetic Oil, Case of 12 1 QT bottles

24 - 15W-50 Synthetic Oil, Case of 4 5 QT bottles

## Engine Remote Oil Tank, Hoses, & Mount Group

REF NO	PART NO	QTY	DESCRIPTION
1	595945	1	TANK, Oil -(Refer to Note: *)
2	84003073	1	MOUNT, Tank - Front
3	84003074	1	MOUNT, Tank - Lower
4	84003075	3	MOUNT - Isolator
5	5021392SM	2	CLAMP, #6 HOSE, STAINLESS
6	84003076	1	VALVE, Oil Drain Shut Off
7	5025013X14SM	3	CAPSCREW, Hex Head, 3/8-16 X 1-3/4
8	5025165SM	3	WASHER, Fender, 3/8
9	5025394SM	3	NUT, Hex Flange, Nylock, 3/8-16
10	703585	4	CAPSCREW, Hex Head, 5/16-18 x 1
11	703350	4	WASHER, 5/16, Flat SAE, Zinc/Clear
12	703115	4	NUT, Flange Nylock, 5/16-18
13	84003077	1	HOSE, Oil Drain
16	847349	1	HOSE, Oil Supply -(Refer to Note: *)
17	847351	1	HOSE, Oil Vent -(Refer to Note: *)
18	847350	1	HOSE, Oil Scavenge -(Refer to Note: *)
19	-----	1	TIE, Cable, Yellow 7.6" -(Included in item #20)
20	595930	1	FILTER, Oil -(Includes item #19)
21	84003078	1	COVER, Oil Drain
22	84003079	1	NUT, Hex, M16-1.5
23	100169	1	OIL-1QT VANGUARD (CASE) -(Case of twelve 1 quart bottles)
23-1	100169WEB	1	OIL-1QT VANGUARD (EA) -(One 1 quart bottle)
24	100170	1	OIL-5QT VANGUARD (CASE) -(Case of four 5 quart bottles)
24-1	100170WEB	1	OIL-5QT VANGUARD (EA) -(One 5 quart bottle)
25	595931	1	CAP, Oil Fill
26	595603	1	DIPSTICK

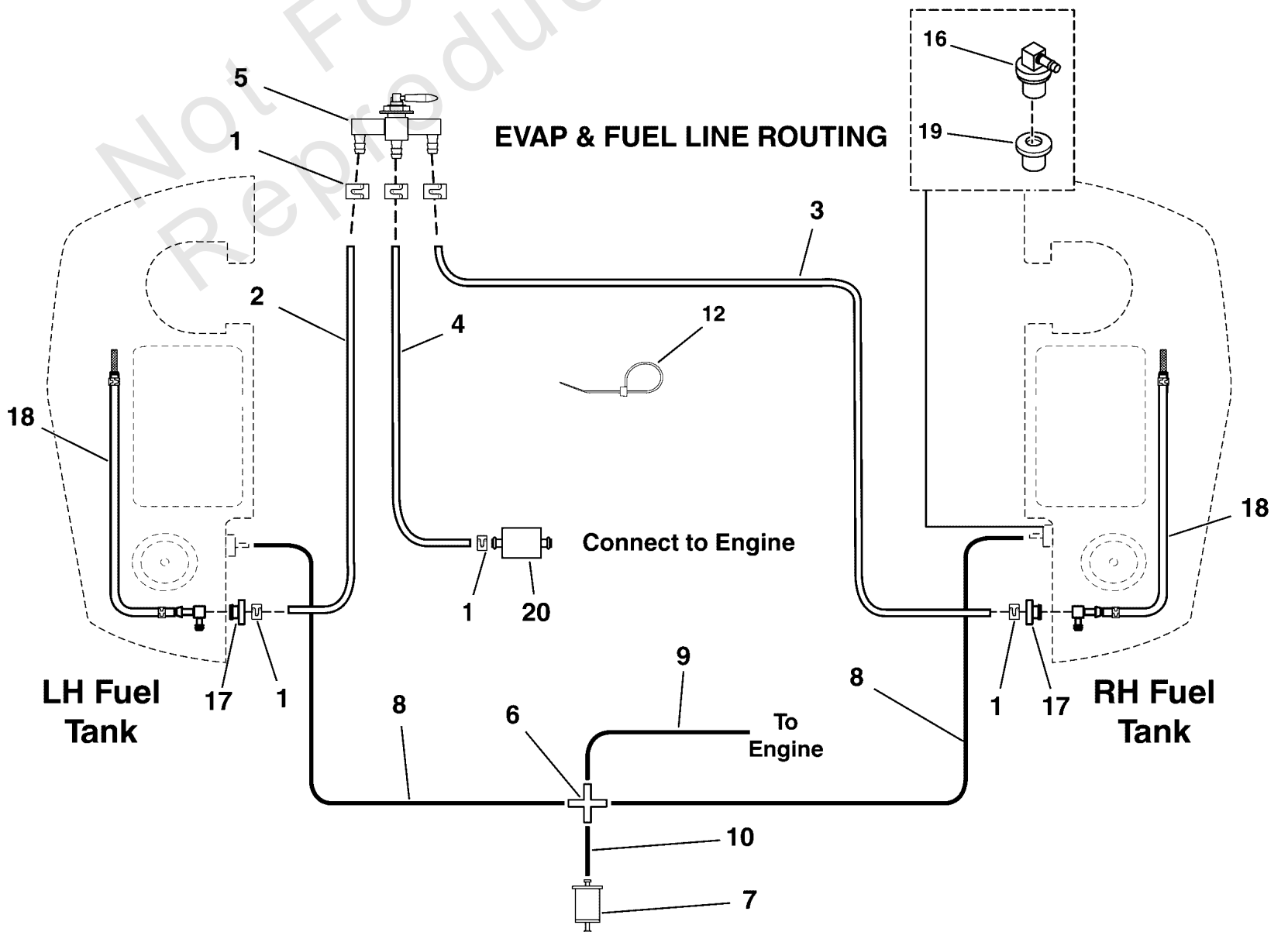
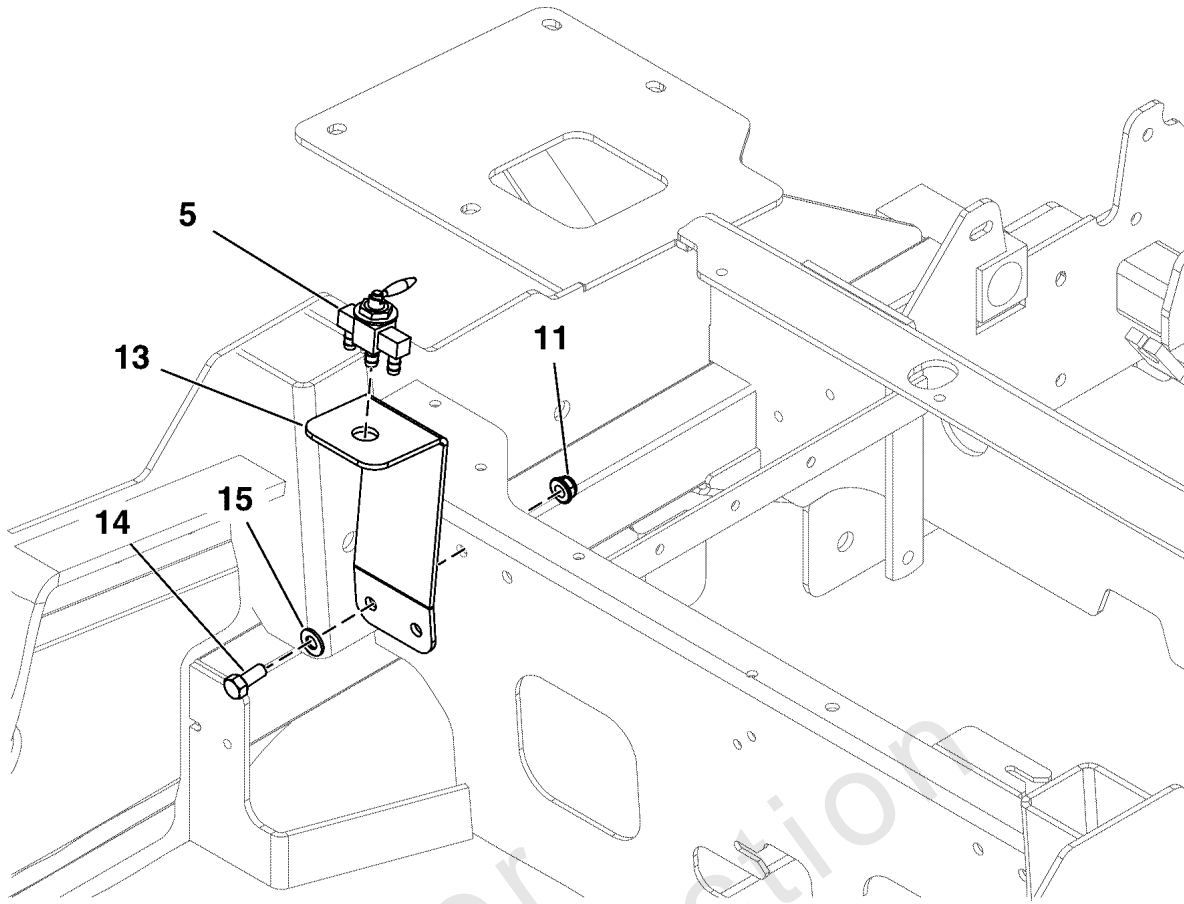
### Footnotes:

Note: \*Order Oil Guard replacement parts from your Authorized Briggs & Stratton Engine Service Provider

# Fuel Supply Hose, Tank Replacement Parts, and EVAP Group

Note: Unless noted otherwise, use the standard torque specifications

Mfg. No: 5901798



## Fuel Supply Hose, Tank Replacement Parts, and EVAP Group

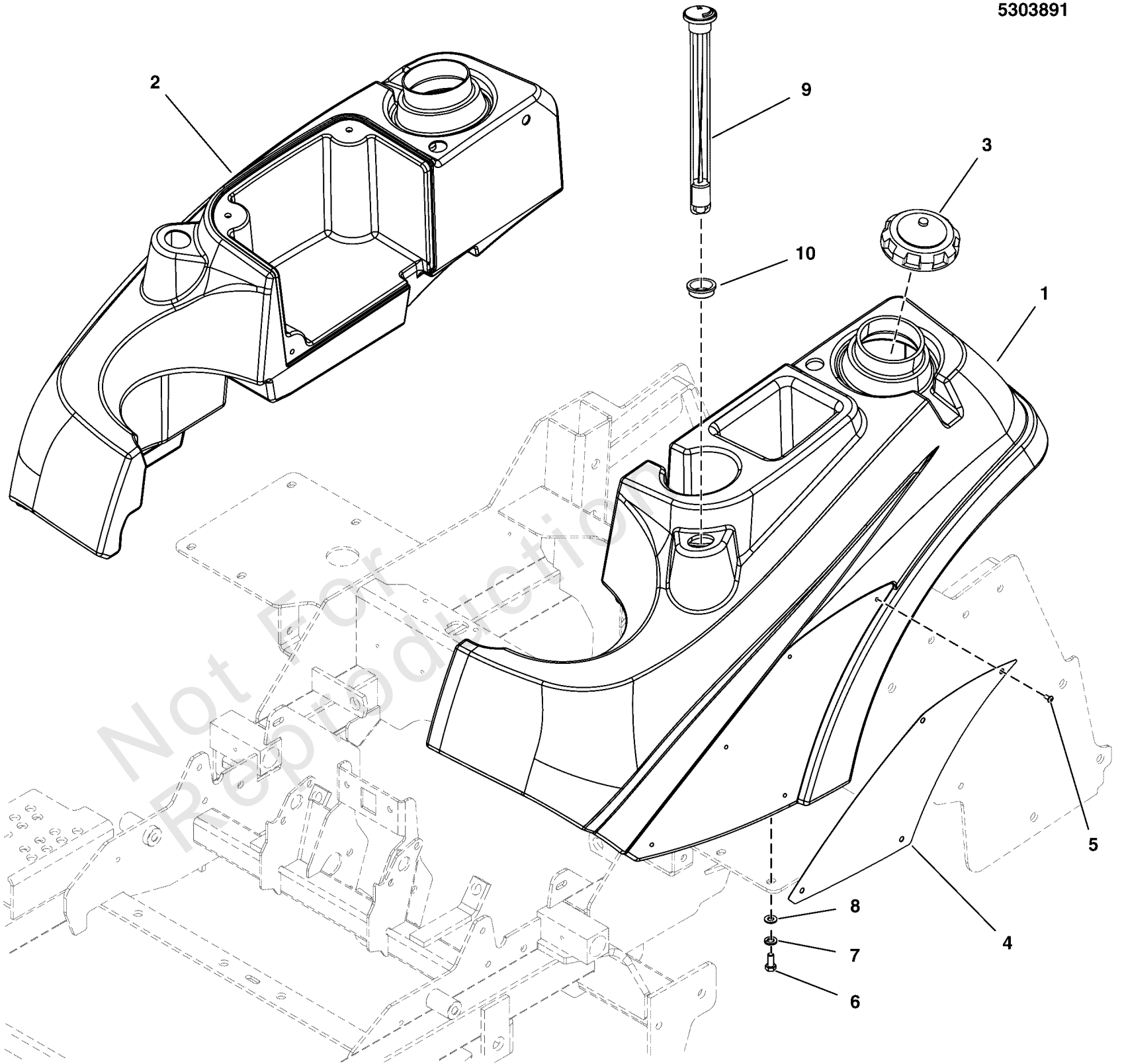
REF NO	PART NO	QTY	DESCRIPTION
1	691038	6	CLAMP, Hose
2	5050831X31SM	1	HOSE, 1/4" FUEL, 31.00 -(Cut to length)
3	5050831X60SM	1	HOSE 1/4 FUEL 60.0 -(Cut to length)
4	5050831X25SM	1	HOSE 1/4 FUEL - 25 -(Cut to length)
5	5023358SM	1	VALVE, FUEL SHUT-OFF, 11772
6	5105394YP	1	FITTING, BARBED CROSS, 3/16" BLK NYLON
7	84001895	1	FILTER, Fuel
8	7700552X43YP	2	HOSE VAPOR 5MM ID -(Cut to length)
9	7700552X39YP	1	HOSE VAPOR -(Cut to length)
10	7700552X12YP	1	HOSE, Vapor, 5 MM ID X 9 MM OD X 12" -(Cut to length)
11	703115	2	NUT, Flange Nylock, 5/16-18
12	5021029SM	7	TIE, SELF-LOCKING, 12"
13	5412704AYP	1	BRACKET, FUEL VALVE, IS2100 - BLK
14	5025011X6SM	2	CAPSCREW, Hex Head, 5/16-18 x 3/4
15	703350	2	WASHER, 5/16, Flat SAE, Zinc/Clear
16	770046	2	REMOTE VENT ASSEMBLY
17	1654930SM	2	BUSHING, Fuel Tank
18	5101144SM	2	PICKUP TUBE ASM, FUEL TANK (SV)
19	799624	2	GROMMET
20	5021178X3SM	2	FUEL FILTER (SV)

# Fuel Tank & Mount Group

Note: Unless noted otherwise, use the standard torque specifications

Mfg. No: 5901798

5303891





## Fuel Tank & Mount Group

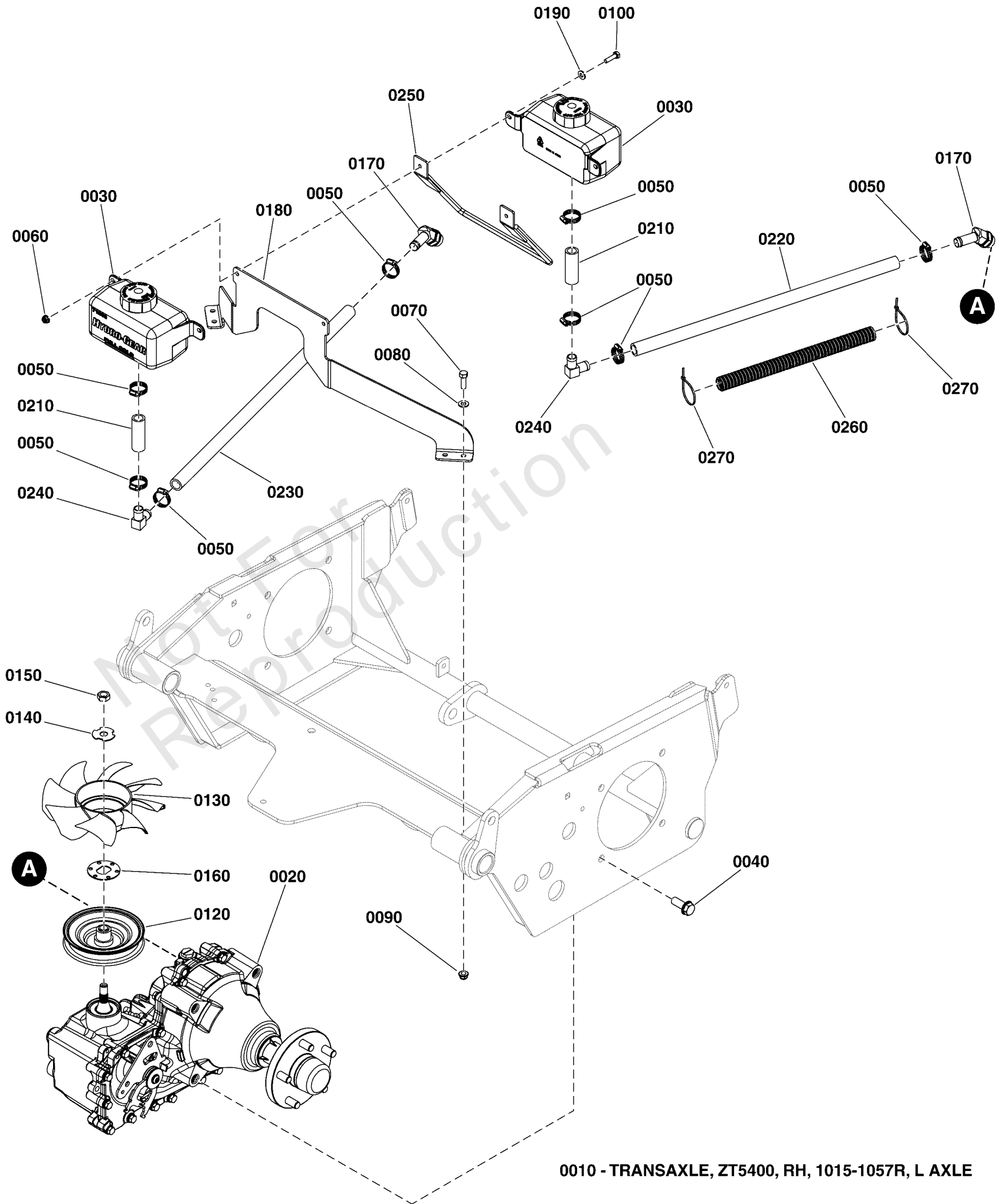
REF NO	PART NO	QTY	DESCRIPTION
1	5103178YP	1	TANK, FUEL, IS2000 & IS3100 - LH
2	5103177YP	1	TANK, FUEL, IS2000 & IS3100 - RH
3	84005958	2	CAP, Fuel Tank
4	5401095CSM	2	BADGE, IS2000 - IS3000 - ORG
5	5025386SM	8	CAPSCREW, Button Allen Head, #10-24 X 3/8
6	5025011X6SM	8	CAPSCREW, Hex Head, 5/16-18 x 3/4
7	5025170SM	8	WASHER, Flat
8	5025292SM	8	WASHER, 5/16" GD.9 FLAT
9	5022917SM	2	GAUGE, FUEL, 12 (SV)
10	5022917X1SM	2	GROMMET, FUEL GAUGE (SV)

Not For Reproduction

# Hydraulic Group S/N: 4001063571 and Below

Note: Unless noted otherwise, use the standard torque specifications

Mfg. No: 5901798



0010 - TRANSAXLE, ZT5400, RH, 1015-1057R, L AXLE

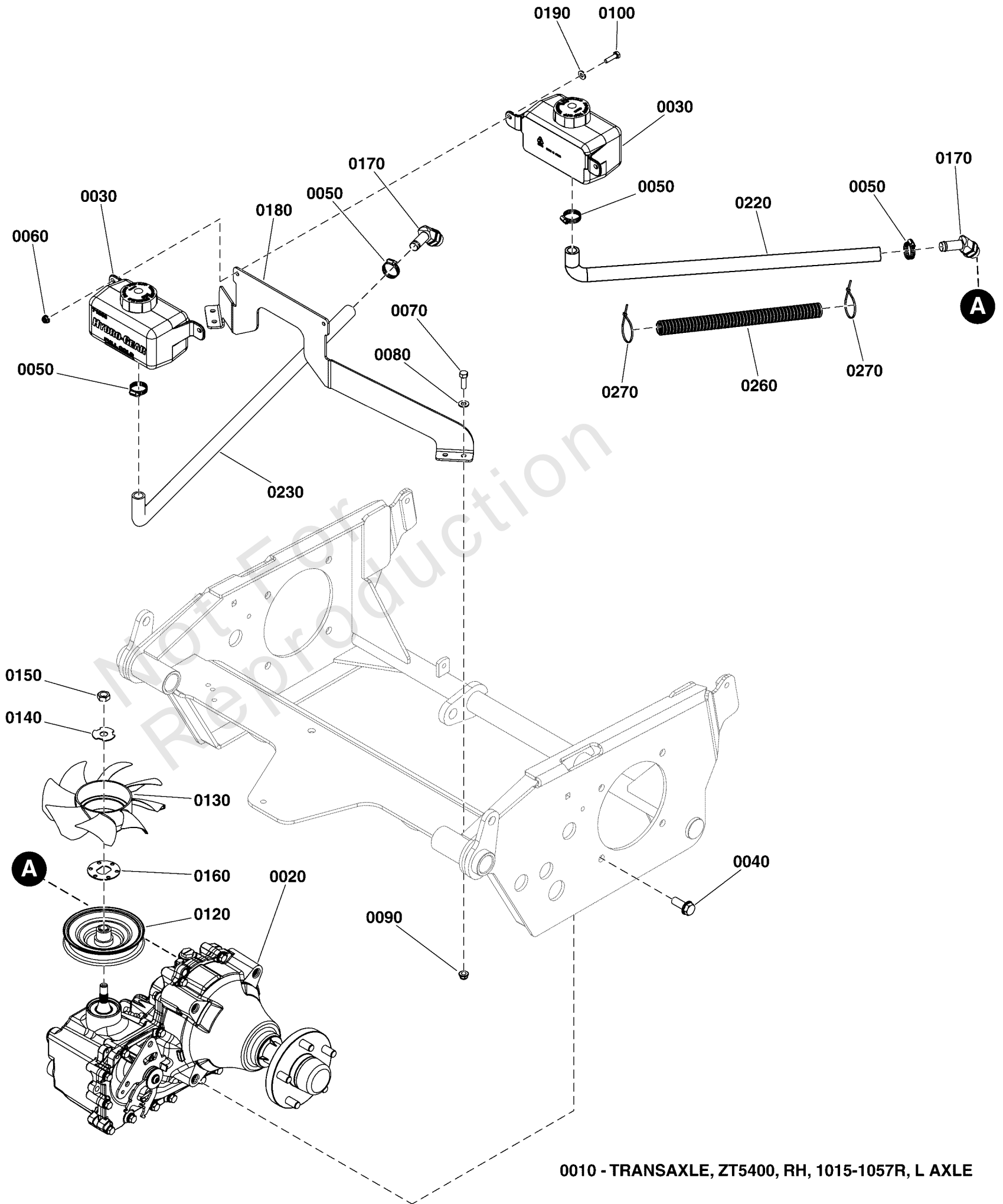
## Hydraulic Group S/N: 4001063571 and Below

REF NO	PART NO	QTY	DESCRIPTION
0010	5103963YP	1	ZT-5400, LONG AXLE, RH, 1015-1057R -(Not illustrated)
0020	5103964YP	1	ZT-5400, LONG AXLE, LH, 1015-1057L
0030	5101998YP	2	HYDRO TANK, HYDRO-GEAR 71938, 1 LITER
0040	5025535YP	8	BOLT, 1/2-13 X 1-1/4, SF, PLT W/PATCH -(Torque transmission mounting bolts to 95-115 ft-lbs (129-156 Nm))
0050	5021164SM	8	CLAMP, #10 HOSE, STAINLESS
0060	703463	2	NUT, Flange Nylock , 1/4-20
0070	703585	4	CAPSCREW, Hex Head, 5/16-18 x 1
0080	703350	4	WASHER, 5/16, Flat SAE, Zinc/Clear
0090	703115	4	NUT, Flange Nylock, 5/16-18
0100	5025010X8SM	2	BOLT, 1/4-20 X 1", GD
0120	5102873YP	2	PULLEY, ZT5400 (53179)
0130	5102874YP	2	FAN, ZT5400
0140	5102914YP	2	WASHER, Slotted
0150	5102916YP	2	NUT, ZT5400
0160	5102917YP	2	SPACER, ANTI ROTATE, ZT5400
0170	5103923YP	2	FITTING, 45, 5/8 TUBE TO 7/8-14 O-RING
0180	84003229	1	PLATE RESERVOIR MOUNT - BLK
0190	703332	2	WASHER, Flat, 1/4
0210	5050933X2P5YP	2	HOSE, 5/8, PUSH-LOCK, 2.50
0220	84003326	1	HOSE, Hydraulic -(5/8 X 20.50" Long, PUSH-LOCK)
0230	5050933X23P5YP	1	HOSE 5/8 PUSH-LOCK
0240	5023119SM	2	FITTING, ELBOW, 5/8 (SV)
0250	84003481	1	BRACKET, Support -(S/N: 4000464004 & Above)
0260	5050862X12SM	2	WIRE LOOM, 12" -(S/N: 4000464004 & Above)
0270	5021030YP	4	TIE, SELF-LOCKING, 6" -(S/N: 4000464004 & Above)

# Hydraulic Group S/N: 4001063572 and Above

Note: Unless noted otherwise, use the standard torque specifications

Mfg. No: 5901798



## Hydraulic Group S/N: 4001063572 and Above

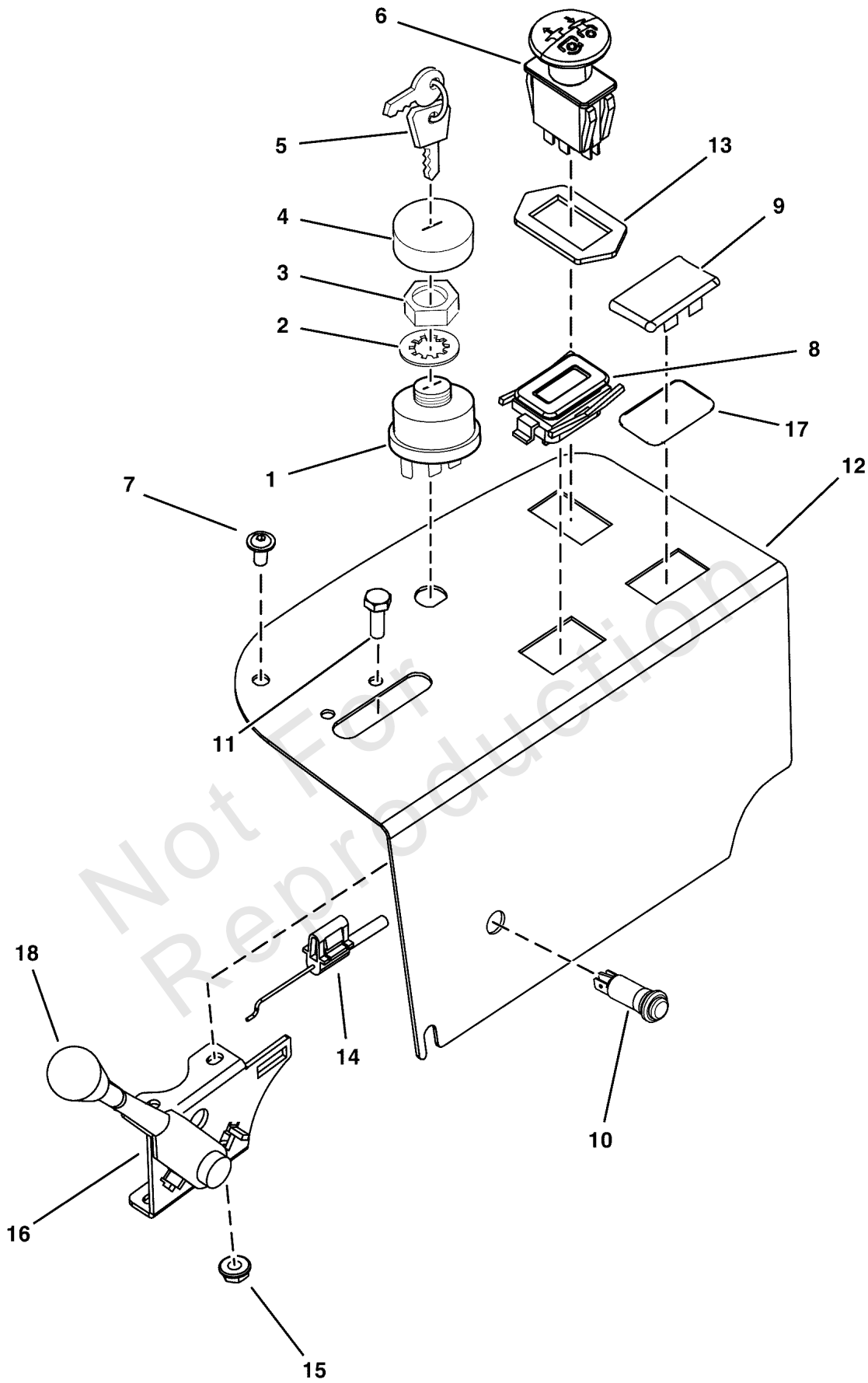
REF NO	PART NO	QTY	DESCRIPTION
0010	5103963YP	1	ZT-5400, LONG AXLE, RH, 1015-1057R -(Not illustrated)
0020	5103964YP	1	ZT-5400, LONG AXLE, LH, 1015-1057L
0030	5101998YP	2	HYDRO TANK, HYDRO-GEAR 71938, 1 LITER
0040	5025535YP	8	BOLT, 1/2-13 X 1-1/4, SF, PLT W/PATCH -(Torque transmission mounting bolts to 95-115 ft-lbs (129-156 Nm))
0050	5021164SM	4	CLAMP, #10 HOSE, STAINLESS
0060	703463	2	NUT, Flange Nylock , 1/4-20
0070	703585	4	CAPSCREW, Hex Head, 5/16-18 x 1
0080	703350	4	WASHER, 5/16, Flat SAE, Zinc/Clear
0090	703115	4	NUT, Flange Nylock, 5/16-18
0100	5025010X8SM	2	BOLT, 1/4-20 X 1", GD
0120	5102873YP	2	PULLEY, ZT5400 (53179)
0130	5102874YP	2	FAN, ZT5400
0140	5102914YP	2	WASHER, Slotted
0150	5102916YP	2	NUT, ZT5400
0160	5102917YP	2	SPACER, ANTI ROTATE, ZT5400
0170	5103923YP	2	FITTING, 45, 5/8 TUBE TO 7/8-14 O-RING
0180	84003229	1	PLATE RESERVOIR MOUNT - BLK
0190	703332	2	WASHER, Flat, 1/4
0220	84005242	1	HOSE, Hydraulic -20.50"
0230	84005243	1	HOSE, Hydraulic -23.50"
0260	5050862X12SM	2	WIRE LOOM, 12"
0270	5021030YP	4	TIE, SELF-LOCKING, 6"

# Instrument Control Panel Group

Note: Unless noted otherwise, use the standard torque specifications

Mfg. No: 5901798

5305000



## Instrument Control Panel Group

REF NO	PART NO	QTY	DESCRIPTION
1	1737853YP	1	SWITCH ASSEMBLY, Ignition Indak No Keys/Hdwr
2	1960547SM	1	LOCKWASHER, Internal Tooth, 5/8 Thin
3	1717549SM	1	NUT, Hex Flange, 5/8-32 IGN SW DIE CAST
4	1717550SM	1	COVER, Ignition Switch
5	1737836YP	1	KEYS, Ignition
6	1722887SM	1	SWITCH, PTO, Push/Pull
7	84002228	3	SCREW, Flange
8	-----	1	HOUR METER, 2 CHANNEL -(Refer to Note: *)
9	1709188SM	1	PLUG, Hole, Electric Lift (Hydro models only)
10	5103809YP	1	LIGHT, INDICATOR, PANEL, LED, RED
11	5025179X6SM	2	SCREW, #10-24 X 3/4", ROUND PHILLIPS
12	5412044AYP	1	PANEL, CONTROL, IS2100Z - BLK
13	5022222SM	1	RING, SWITCH RETAINER, PTO
14	5101076SM	1	CABLE, THROTTLE, 47"
15	703412	2	NUT, Nylock, #10-24
16	5101537SM	1	LEVER, THROTTLE CONTROL, HEAVY DUTY
17	5022269SM	1	O-RING, 7/8" ID X 1/16" W
18	5046360X1SM	1	THROTTLE CONTROL HANDLE/KNOB
19	5021029SM	1	TIE, SELF-LOCKING, 12" -(Not illustrated)

---

**Footnotes:**

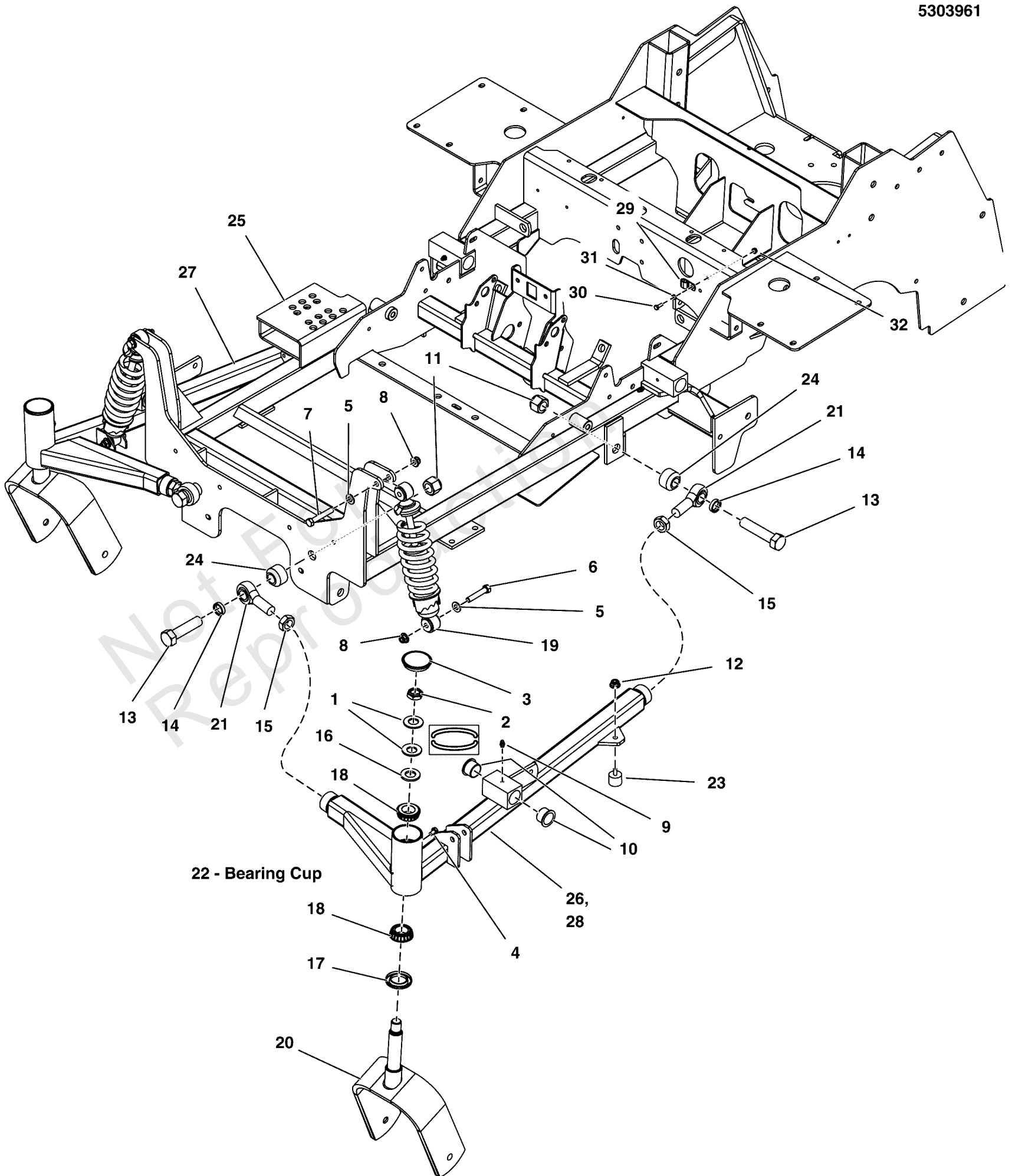
Note: \*If replacing contact the Service Department at 1-800-933-6175.

# Main Frame & Front Suspension Group

Note: Unless noted otherwise, use the standard torque specifications

Mfg. No: 5901798

5303878  
5303961





## Main Frame & Front Suspension Group

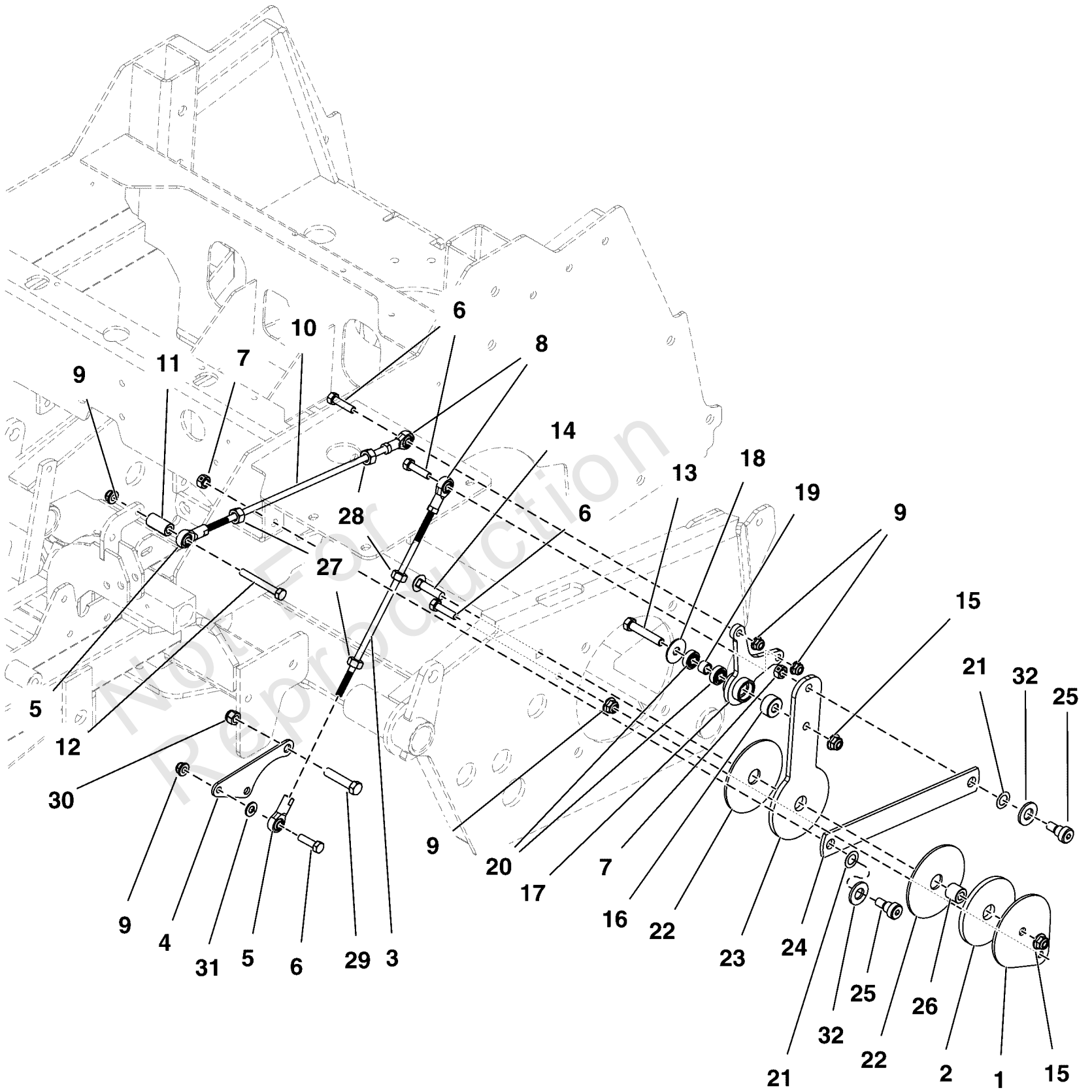
REF NO	PART NO	QTY	DESCRIPTION
1	5025449SM	4	WASHER, BELLEVILLE - 1.500 X .755
2	5025448SM	2	NUT, 3/4-16, HEX JAM NYLON LOCK
3	5102929YP	2	CAP, LOW PROFILE, STEEL
4	5025457SM	2	BOLT, 1/4-28 X 1/2, GD5 YZ
5	703590	4	WASHER, .406
6	703589	2	CAPSCREW, Hex Head, 3/8-16 X 2, GR5
7	5025013X18SM	2	CAPSCREW, Hex Head, 3/8-16 X 1-3/4
8	5025394SM	4	NUT, Hex Flange, Nylock, 3/8-16
9	5020095SM	2	GREASE FITTING, 1/4-28 STRAIGHT
10	5023343SM	4	BUSHING, 1.00 X 1.13 X 1.38, PLASTIC
11	5025284SM	4	NUT, Hex, Nylon Lock, 3/4-16
12	703233	2	NUT, Serrated, Flange, 1/4-20, GR5
13	5025265X28SM	4	3/4-16 X 3.5" HHCS YZP GR 5
14	5047461SM	4	SPACER, .76 X 1.00 X .25
15	5025093SM	4	NUT, Hex, Jam, 3/4-16
16	5025160SM	2	WASHER, 3/4" SAE
17	5021072SM	2	SEAL, GREASE
18	5020884SM	4	BEARING, TAPPERD ROLLER, 1"
19	5104052YP	2	SHOCK / SPRING ASSEMBLY, OE22375
20	84003067	2	YOKE, Caster
21	5022039SM	4	BALL JOINT, 3/4-16, MALE
22	5020883SM	4	CUP, BEARING (SV)
23	5022673SM	2	BUMPER, Rubber, 1/4-20
24	5046093SM	4	SPACER, .75 X 1.50 X 1.00, CZ
25	-----	1	FRAME
26	84003068	1	ARM, Suspension - LH -(61" Models Only)
27	84003069	1	ARM, Suspension - RH
28	84003070	1	ARM, Suspension - LH -(72" Models Only)
29	5025430SM	1	CLAMP, 5/16, DOUBLE, WIRE & TUBE
30	5025010X6SM	1	CAPSCREW, Hex Head, 1/4-20 x 3/4 (stiffener to top of cover)
31	703332	1	WASHER, Flat, 1/4
32	703463	1	NUT, Flange Nylock , 1/4-20

# Motion Control Group - Control System

Note: Unless noted otherwise, use the standard torque specifications

Mfg. No: 5901798

5303882L



## Motion Control Group - Control System

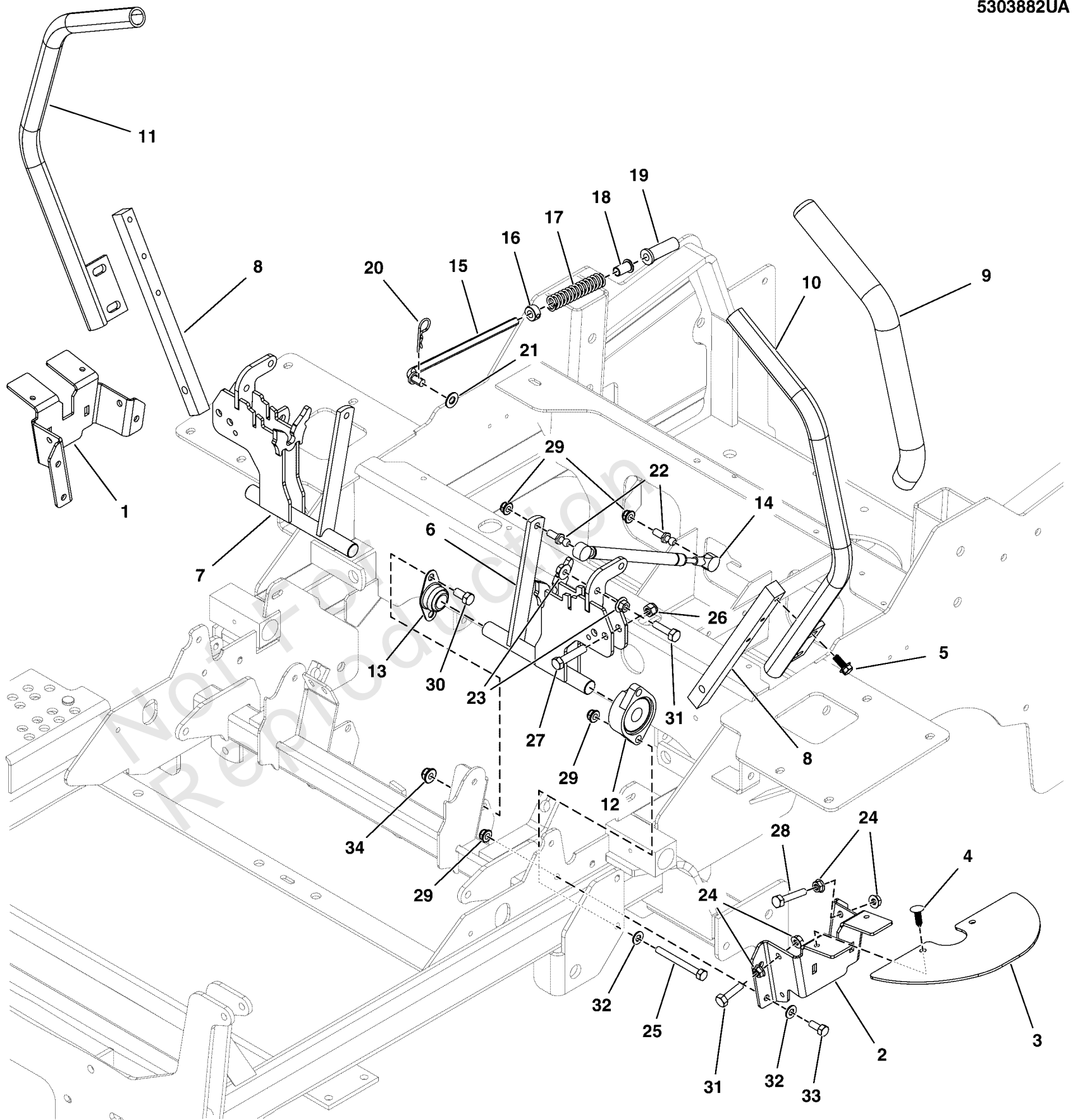
REF NO	PART NO	QTY	DESCRIPTION
1	5410271AYP	2	PLATE, CONTROL SYSTEM LOCK - BLK
2	5103704YP	2	PAD, .77 X 3.50 X .25, POLYURETHANE
3	5101135YP	2	ROD, HYDRO LINKAGE
4	5411301AYP	2	PLATE, CONTROL MOUNT - BLK
5	5104493YP	4	BALL JOINT, 5/16-24, RH FEMALE BRONZE RACE
6	5025011X10SM	14	CAPSCREW, Hex Head, 5/16-18 X 1-1/4
7	5025100SM	4	NUT, Hex, Side Lock, 3/8-16
8	5104494YP	4	BALL JOINT 5/16-24 LH FEMALE BRONZE RACE
9	703115	10	NUT, Flange Nylock, 5/16-18
10	5102255YP	2	ROD, HYDRO LINKAGE, 14.63
11	5102599YP	2	SPACER, .33 X .63 X 1.25, CZ
12	5025011X20SM	2	CAPSCREW, Hex Head, 5/16-18 x 2-1/2
13	703873	2	CAPSCREW, Hex Head, 3/8-16 X 2 1/2
14	5025146X12YP	2	BOLT, Carriage, 3/8-16 X 1 1/2, GR5
15	5025394SM	6	NUT, Hex Flange, Nylock, 3/8-16
16	5046860SM	2	SPACER, .39 X 1.00 X .50, PM, CZ
17	5103718YP	2	PIVOT, CONTROL SYSTEM
18	5025165SM	2	WASHER, Fender, 3/8
19	5103676YP	2	SPACER, .39 X .55 X .38, CZ
20	5102003YP	4	BEARING, .375" ID X .875" OD X .341" THK
21	5103784YP	4	WAVE WASHER, 1/2"ID X .087"OD X .01 THK.
22	5103672YP	4	PAD, CONTROL SYSTEM
23	5410268YP	2	PLATE, CONTROL SYSTEM ARM - HT
24	5411375AYP	2	LINK, CONTROL SYSTEM ARM, IS2100 - BLK
25	5025356SM	4	BOLT, 3/8-16 X 3/8", 1/2" SHOULDER
26	5103705YP	2	SPACER, .39 X .75 X .69, CZ
27	703331	4	NUT, 5/16-24, Hex, GR5, Zinc/Clear
28	5023212SM	4	NUT, Hex, 5/16-24, LH
29	5025015X6SM	2	BOLT, 7/16-14 X 3/4, GD 5 YZ
30	5025044SM	2	NUT, 7/16-14 HEX TOP LOCK
31	703350	2	WASHER, 5/16, Flat SAE, Zinc/Clear
32	5025440SM	4	WASHER, 1/2" GR. 9 FLAT

# Motion Control Group - Handles & Dampeners

Note: Unless noted otherwise, use the standard torque specifications

Mfg. No: 5901798

5303882UA



## Motion Control Group - Handles & Dampeners

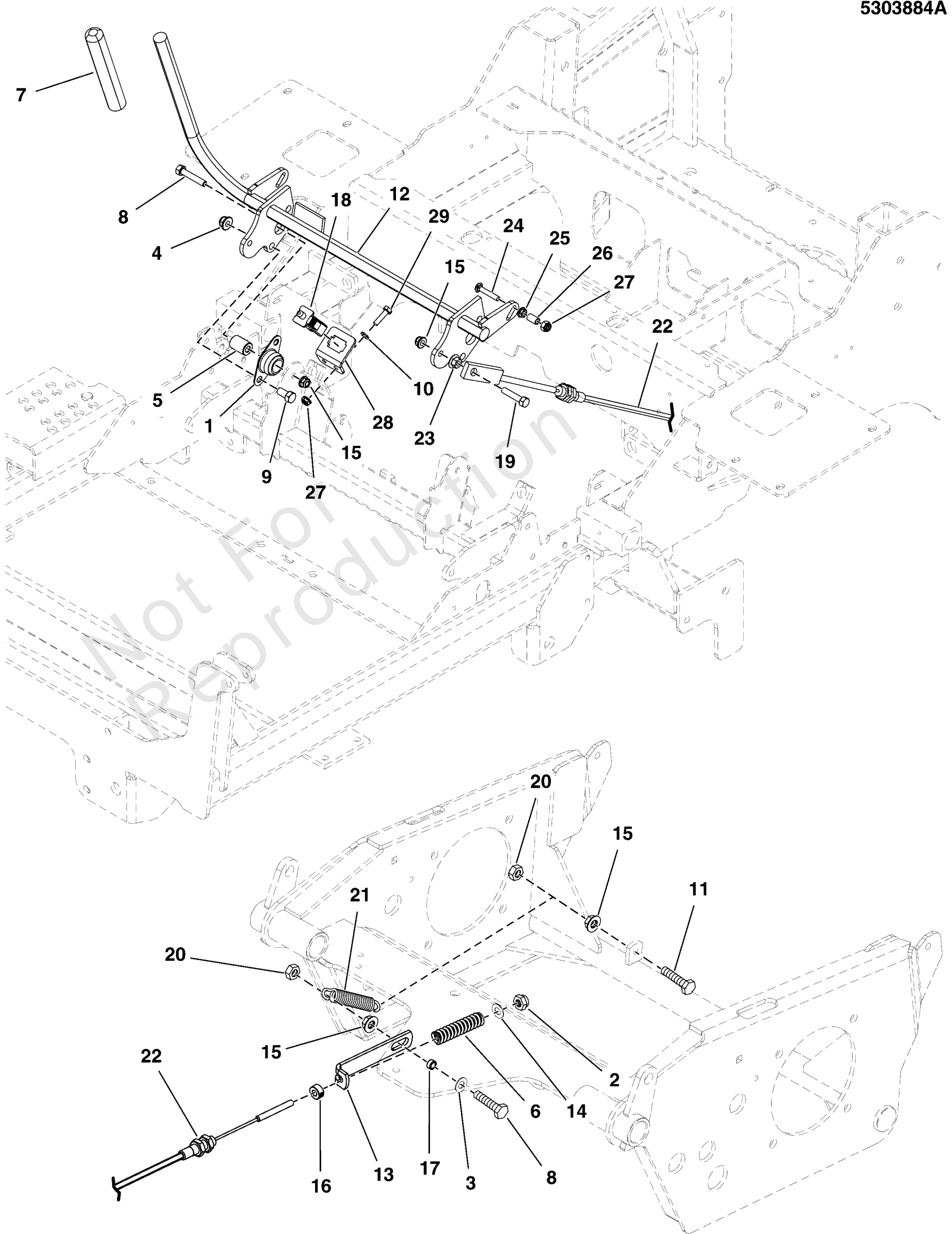
REF NO	PART NO	QTY	DESCRIPTION
1	5416170AYP	1	PLATE, Neutral Lock, RH - BLK
2	5416171AYP	1	PLATE, Neutral Lock, LH - BLK
3	5401248SM	2	GUARD, RUBBER MOTION CONTROLS
4	5025431SM	4	PUSH RIVET (TREE TYPE), BLACK
5	703354	4	SCREW, Flange, Whiz-Lock, 5/16-18 X 3/4
6	5416663AYP	1	WELD, CONTROL SHAFT, LOCKOUT, LH - BLK
7	5416664AYP	1	WELD, CONTROL SHAFT, LOCKOUT, RH - BLK
8	5103106AYP	2	MOUNT, CONTROL ARM
9	5104722YP	2	GRIP, FOAM, 1" ID, 16" LONG
10	84003071	1	HANDLE, Control - LH
11	84003072	1	HANDLE, Control - RH
12	5021499SM	2	BEARING, FLANGE
13	5021098SM	2	BEARING, Flange, Bronze, 3/4"
14	5100940SM	2	DAMPENER, CONTROL, #(P6709/P3610)
15	5100947SM	2	ROD, NEUTRAL RETURN, CZ
16	5010546SM	2	COLLAR, 3/8" SET
17	5022645SM	2	SPRING, REVERSE RETURN
18	5023260SM	2	BUSHING, FLANGE 3/8ID X 7/8 LONG
19	5104375YP	2	FLANGED BUSHING, 3/8ID X .63OD X .8125FL
20	5025210YP	2	PIN, HAIR, .0915 X 1-7/8
21	703590	2	WASHER, .406
22	5101307SM		10MM BALL STUD, 5/16-18 X 3/4 THDS
23	5025139SM		NUT, 5/16-18 HEX SERRATED FLANGE (LARGE)
24	5025127SM		NUT, Hex Serrated Flange, 5/16-18,
25	5025011X24SM		CAPSCREW, Hex Head, 5/16-18 x 3
26	5025096SM		NUT, Hex, Nylon Lock, 3/8-16
27	5025013X14SM		CAPSCREW, Hex Head, 3/8-16 X 1-3/4
28	5025055X14SM		CAPSCREW, Hex Head, Flange Lock Taptite, 5/16-18 X 1-3/4
29	703115		NUT, Flange Nylock, 5/16-18
30	5025013X6SM		CAPSCREW, Hex Head, 3/8-16 x 3/4
31	5025055X10YP		BOLT, 5/16-18 x 1-1/4" TFL GD 5
32	703350		WASHER, 5/16, Flat SAE, Zinc/Clear
33	5025011X6SM		CAPSCREW, Hex Head, 5/16-18 x 3/4
34	5025394SM		NUT, Hex Flange, Nylock, 3/8-16

# Parking Brake Group

Note: Unless noted otherwise, use the standard torque specifications

Mfg. No: 5901798

5303884A



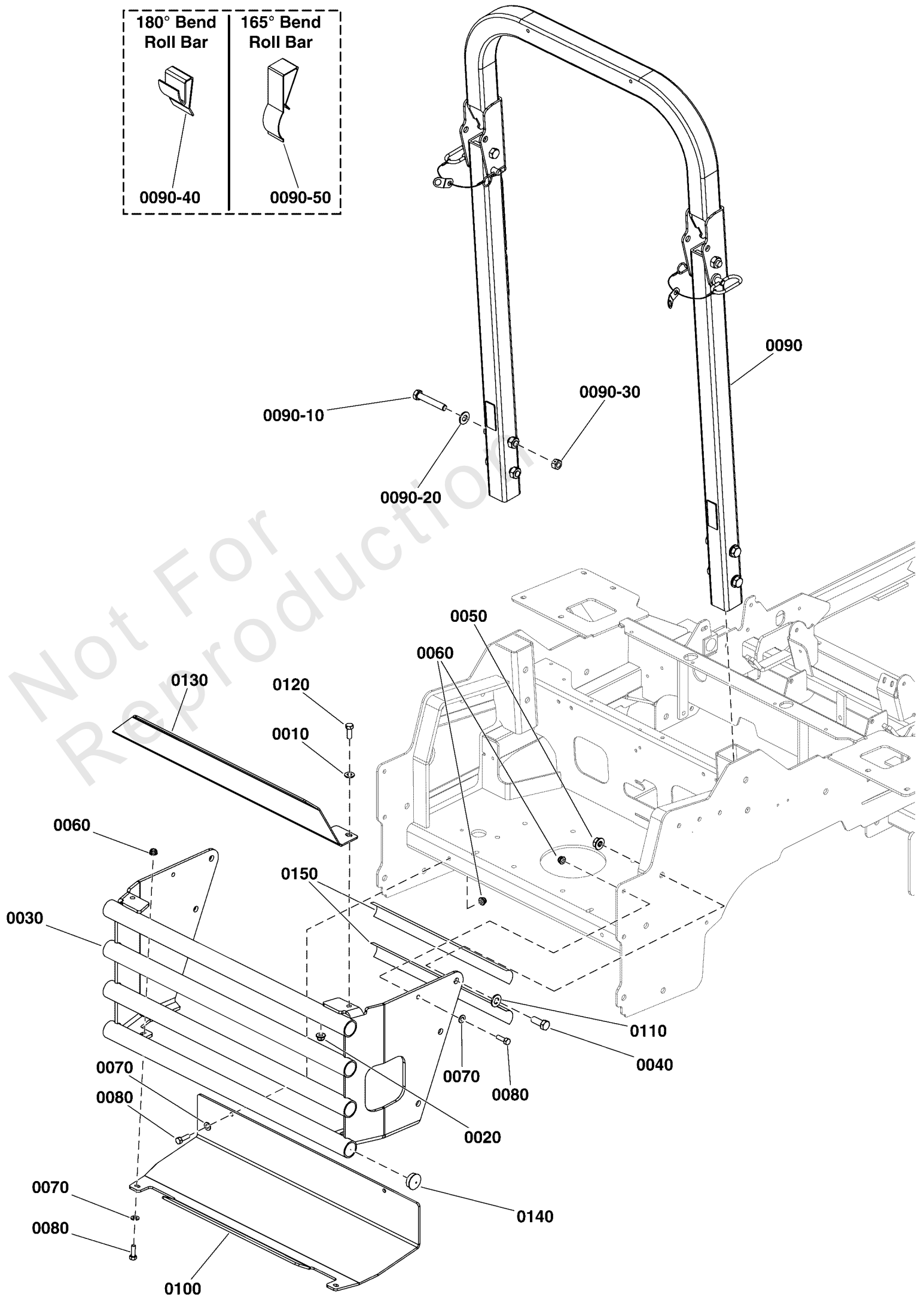
## Parking Brake Group

REF NO	PART NO	QTY	DESCRIPTION
1	5021098SM	2	BEARING, Flange, Bronze, 3/4"
2	5025045SM	2	NUT, Hex Lock, Nylon, 5/16-24
3	703350	2	WASHER, 5/16, Flat SAE, Zinc/Clear
4	5025394SM	4	NUT, Hex Flange, Nylock, 3/8-16
5	5042134SM	2	SPACER, .32 X .75 X 1.06, PM
6	5100385YP	2	SPRING, COMP. 1/2 ID X .140 WIRE X 3.25
7	5101038SM	1	GRIP, FOAM, 3/4 ID X 6 X .187
8	5025011X14SM	4	CAPSCREW, Hex Head, 5/16-18 X 1-3/4
9	5025013X6SM	4	CAPSCREW, Hex Head, 3/8-16 x 3/4
10	703332	2	WASHER, Flat, 1/4
11	5025055X10YP	3	BOLT, 5/16-18 x 1-1/4" TFL GD 5
12	84003234	1	WELD, BRAKE SHAFT, LOCKOUT, 21" - BLK
13	5411363AYP	2	LINK, BRAKE LOCK - BLK
14	5025337YP	2	WASHER, 5/16 USS
15	703115	8	NUT, Flange Nylock, 5/16-18
16	5020047SM	2	COLLAR, 5/16" SET
17	5102463YP	2	SPACER, .33 X .50 X .25, PM, CZ
18	7022886YP	1	SWITCH, DP, NO/NC, Snap-In
19	5025011X12SM	2	CAPSCREW, Hex Head, 5/16-18 x 1-1/2
20	703164	4	NUT, Hex Center Lock, 5/16-18, GRB
21	5103969YP	2	SPRING, EXTENSION, .521 X 4.12, BLACK
22	5104235YP	2	CABLE, PARKING BRAKE, 32"
23	5025139SM	2	NUT, 5/16-18 HEX SERRATED FLANGE (LARGE)
24	704214	2	BOLT, Carriage, Short Neck, 1/4-20 x 1 1/2, GR5
25	703233	1	NUT, Serrated, Flange, 1/4-20, GR5
26	5041483YP	2	SPACER, .52 X .38 X .63, CZ
27	5025095SM	4	NUT, Hex, Nylon Lock, 1/4-20
28	5415932AYP	1	TAB, SWITCH PLATE, BOLT-ON - BLK
29	5025010X6SM	2	CAPSCREW, Hex Head, 1/4-20 x 3/4 (stiffener to top of cover)

# Rear Bumper and ROPS Group

Note: Unless noted otherwise, use the standard torque specifications

Mfg. No: 5901798





## Rear Bumper and ROPS Group

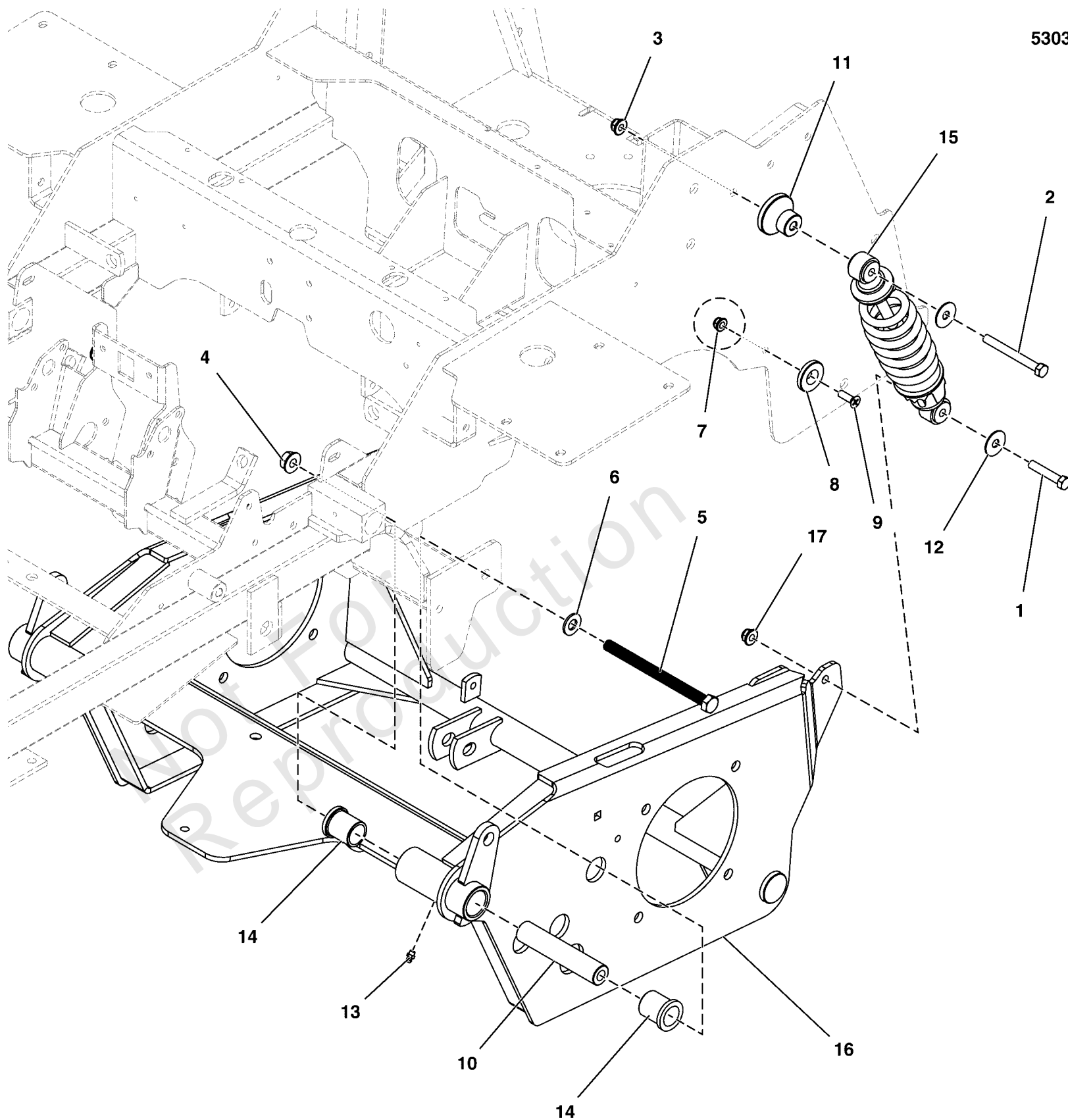
REF NO	PART NO	QTY	DESCRIPTION
0010	5025293SM	2	WASHER, 3/8" GR. 9 FLAT
0020	5025394SM	2	NUT, Hex Flange, Nylock, 3/8-16
0030	84003190	1	BUMPER, Rear
0040	5025017X10YP	6	BOLT, 1/2-13 X 1-1/4 GD5 YZ
0050	5025396SM	6	NUT, Hex Flange, 1/2-13
0060	703115	6	NUT, Flange Nylock, 5/16-18
0070	703350	6	WASHER, 5/16, Flat SAE, Zinc/Clear
0080	703585	6	CAPSCREW, Hex Head, 5/16-18 x 1
0090	-----	1	ROPS, IS3200
0090-10	5025017X24SM	4	BOLT, 1/2-13 X 3 GD5 YZ
0090-20	5025158SM	4	WASHER, 1/2
0090-30	5025332SM	4	NUT, 1/2-13 HEX SIDE LOCK
0090-40	5103403X1YP	2	ANTI-RATTLE SPRING, FEMCO #230328972 (SV) -(180 Degree Bend Roll Bar)
0090-50	5105140X1YP	2	ANTI-RATTLE SPRING, ROPS, 165 DEGREE (SV) -(165 Degree Bend Roll Bar)
0100	84003191	1	SHIELD, Heat
0110	5025158SM	6	WASHER, 1/2
0120	5025013X8SM	2	CAPSCREW, Hex Head, 3/8-16 x 1
0130	84003192	1	SHIELD, Carburetor
0140	5023484SM	8	PLUG, PANEL, 1.25 - BLACK
0150	84002227	2	TAPE

# Rear Suspension Group

Note: Unless noted otherwise, use the standard torque specifications

Mfg. No: 5901798

5303885



## Rear Suspension Group

REF NO	PART NO	QTY	DESCRIPTION
1	703589	2	CAPSCREW, Hex Head, 3/8-16 X 2, GR5
2	5025013X28SM	2	CAPSCREW, Hex Hd, 3/8-16 x 3-1/2
3	5025100SM	2	NUT, Hex, Side Lock, 3/8-16
4	5025396SM	2	NUT, Hex Flange, 1/2-13
5	5025488X52YP	2	BOLT, 1/2-13 X 6-1/2 GD8, YZ
6	5025158SM	2	WASHER, 1/2
7	703115	2	NUT, Flange Nylock, 5/16-18
8	5102701YP	2	SPACER, .34 X 1.54 X .25 - UHMW
9	5025594YP	2	SCREW, Phillips Head, 5/16-18 X 1
10	5100194SM	2	SPACER, .52 X 1.00 X 5.00
11	5104704YP	2	SPACER, .39 X 2.00 X 1.35, PM
12	5025165SM	4	WASHER, Fender, 3/8
13	5045106YP	2	ASSM IDLER ARM
14	5021541SM	4	BUSHING, FLANGE
15	5104060YP	2	SHOCK / SPRING ASSEMBLY, OE22376
16	84003235	1	CRADLE, Suspension
17	5025394SM	2	NUT, Hex Flange, Nylock, 3/8-16

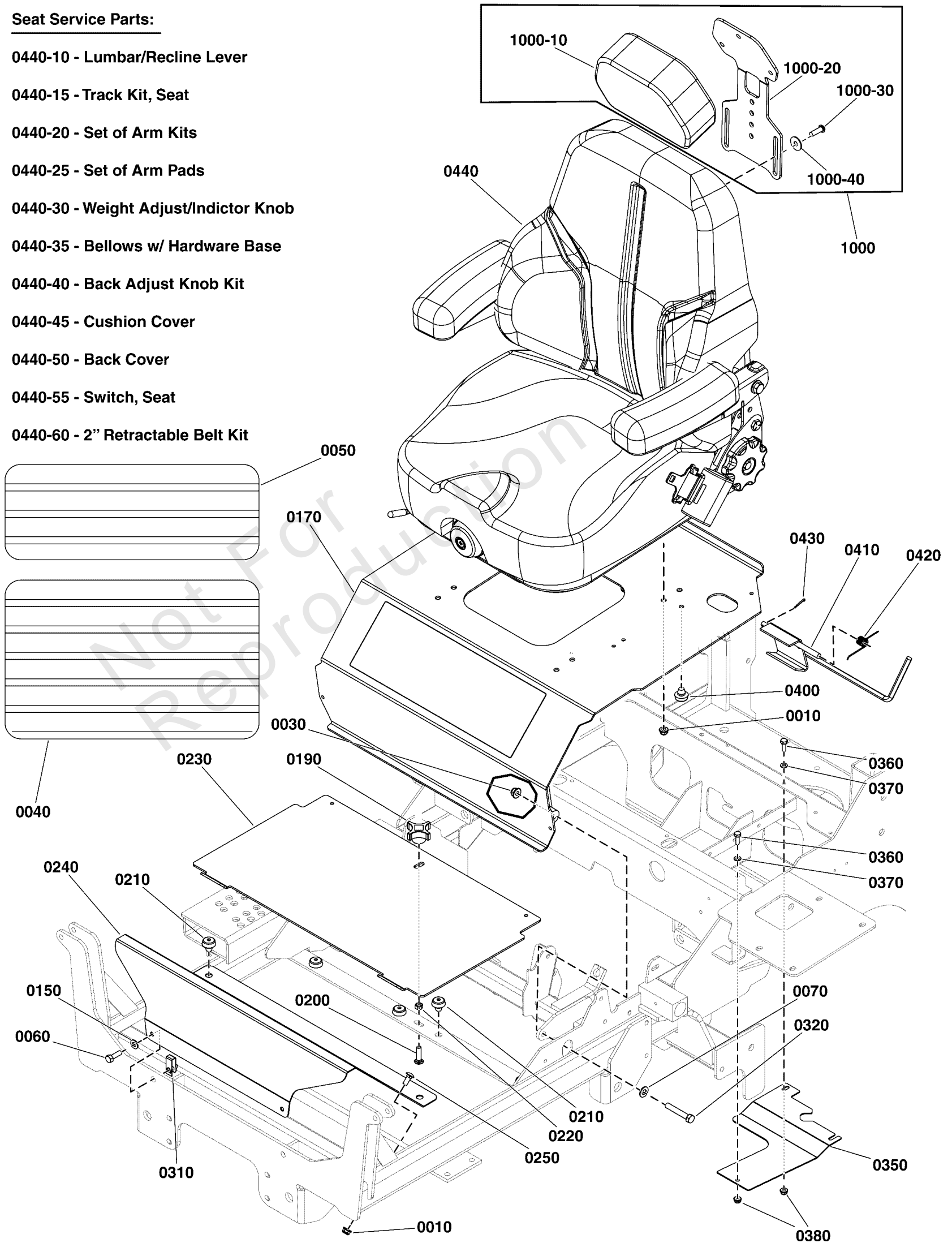
# Seat Mount and Floor Group S/N: 4000875836 and Below

Note: Unless noted otherwise, use the standard torque specifications

Mfg. No: 5901798

## Seat Service Parts:

- 0440-10 - Lumbar/Recline Lever
- 0440-15 - Track Kit, Seat
- 0440-20 - Set of Arm Kits
- 0440-25 - Set of Arm Pads
- 0440-30 - Weight Adjust/Indicator Knob
- 0440-35 - Bellows w/ Hardware Base
- 0440-40 - Back Adjust Knob Kit
- 0440-45 - Cushion Cover
- 0440-50 - Back Cover
- 0440-55 - Switch, Seat
- 0440-60 - 2" Retractable Belt Kit



## Seat Mount and Floor Group S/N: 4000875836 and Below

REF NO	PART NO	QTY	DESCRIPTION
0010	703115	8	NUT, Flange Nylock, 5/16-18
0030	5025394SM	2	NUT, Hex Flange, Nylock, 3/8-16
0040	5101333YP	1	SAFETY WALK, FLOOR PLATE, S50X, 10X17.13
0050	5101374YP	1	SAFETY WALK
0060	703585	2	CAPSCREW, Hex Head, 5/16-18 x 1
0070	703590	4	WASHER, .406
0150	703350	2	WASHER, 5/16, Flat SAE, Zinc/Clear
0170	5601176	1	SEAT PLATE W/ DECALS - LMTD EDTN
0190	1670578SM	1	KNOB, Internal Thread, 5/16 (Used Only on 24 in. Models)
0200	5025145X10YP	1	BOLT, 5/16-18 X 1-1/4, CARRIAGE, GD5, CZ
0210	197546GS	6	MOUNT, Vibration
0220	761449MA	1	KIT, DISCHARGE CHUTE
0230	84003198	1	PLATE, Removable Floor
0240	84003199	1	PLATE, Floor
0250	5025145X6SM	2	BOLT, 5/16-18 X 3/4, CARRIAGE, GD5, CZ
0310	5025452YP	2	BODY CLIP, 5/16-18 -1/4 MATERIAL
0320	5025013X18SM	2	CAPSCREW, Hex Head, 3/8-16 X 1-3/4
0350	84003200	1	SHIELD, Debris
0360	5025010X6SM	3	CAPSCREW, Hex Head, 1/4-20 x 3/4 (stiffener to top of cover)
0370	5601176	3	SEAT PLATE W/ DECALS - LMTD EDTN
0380	703233	3	NUT, Serrated, Flange, 1/4-20, GR5
0400	84003201	2	SUPPORT, Rubber
0410	84002142	1	WELD, SEAT LATCH HOOK - BLACK
0420	84003202	1	SPRING, Torsion
0430	703312	1	PIN, Cotter, 3/32 X 3/4
0440	84001869	1	SEAT, HIGH BACK, SUSP, SWITCH&SEAT BELTS
0440-10	84003205	1	LUMBAR/RECLINE/ISO LVR W/ RLL PIN BS -(SV)
0440-15	84003206	1	4" SINGLE LOCKING TRACKS BASE -(SV)
0440-20	84003207	1	SET OF ARM KITS -(SV)
0440-25	84003208	1	SET OF ARM PADS -(SV)
0440-30	84003209	1	KNOB, Adjuster -(SV)
0440-35	84003210	1	BELLOWS W/ HARDWARE BASE -(SV)
0440-40	84003211	1	KNOB, Adjuster -(SV)
0440-45	84003212	1	CUSHION, Seat -(SV)
0440-50	84003213	1	Cushion, Back -(SV)
0440-55	7023354YP	1	SWITCH, Seat, Push Button (NC) -(SV)
0440-60	84003214	1	BELT, Seat -(SV)
1000	84003643	1	KIT, Headrest
1000-10	-----	1	CUSHION, Headrest
1000-20	-----	1	BRACKET, Headrest Cushion
1000-30	84003203	6	SCREW, 5/16-18X1, BUT HD, BLK, W/PATCH
1000-40	84001871	6	WASHER, FENDER, 1.00 OD X .315 ID X .055

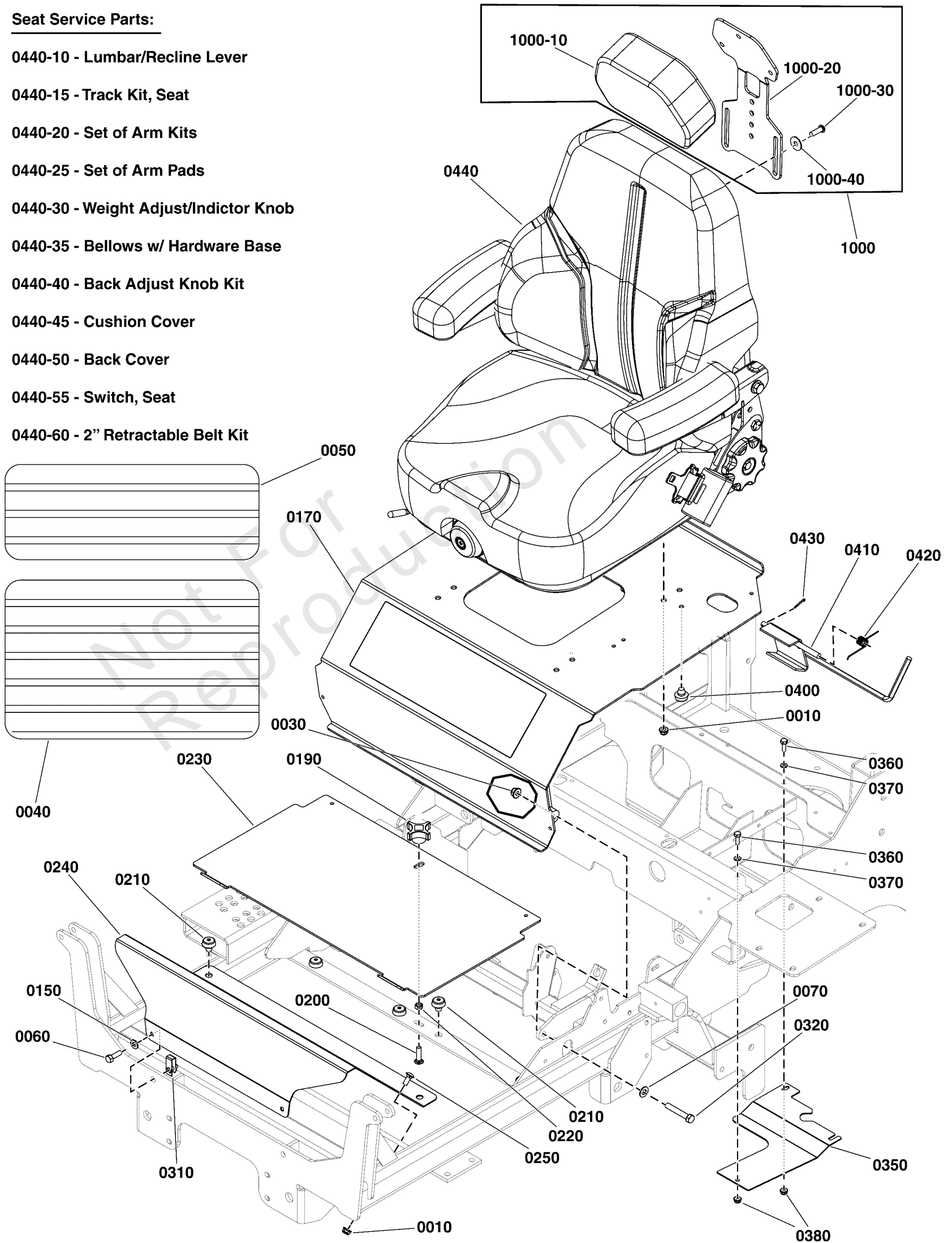
# Seat Mount and Floor Group S/N: 4000875837 and Above

Note: Unless noted otherwise, use the standard torque specifications

Mfg. No: 5901798

## Seat Service Parts:

- 0440-10 - Lumbar/Recline Lever
- 0440-15 - Track Kit, Seat
- 0440-20 - Set of Arm Kits
- 0440-25 - Set of Arm Pads
- 0440-30 - Weight Adjust/Indicator Knob
- 0440-35 - Bellows w/ Hardware Base
- 0440-40 - Back Adjust Knob Kit
- 0440-45 - Cushion Cover
- 0440-50 - Back Cover
- 0440-55 - Switch, Seat
- 0440-60 - 2" Retractable Belt Kit



## Seat Mount and Floor Group S/N: 4000875837 and Above

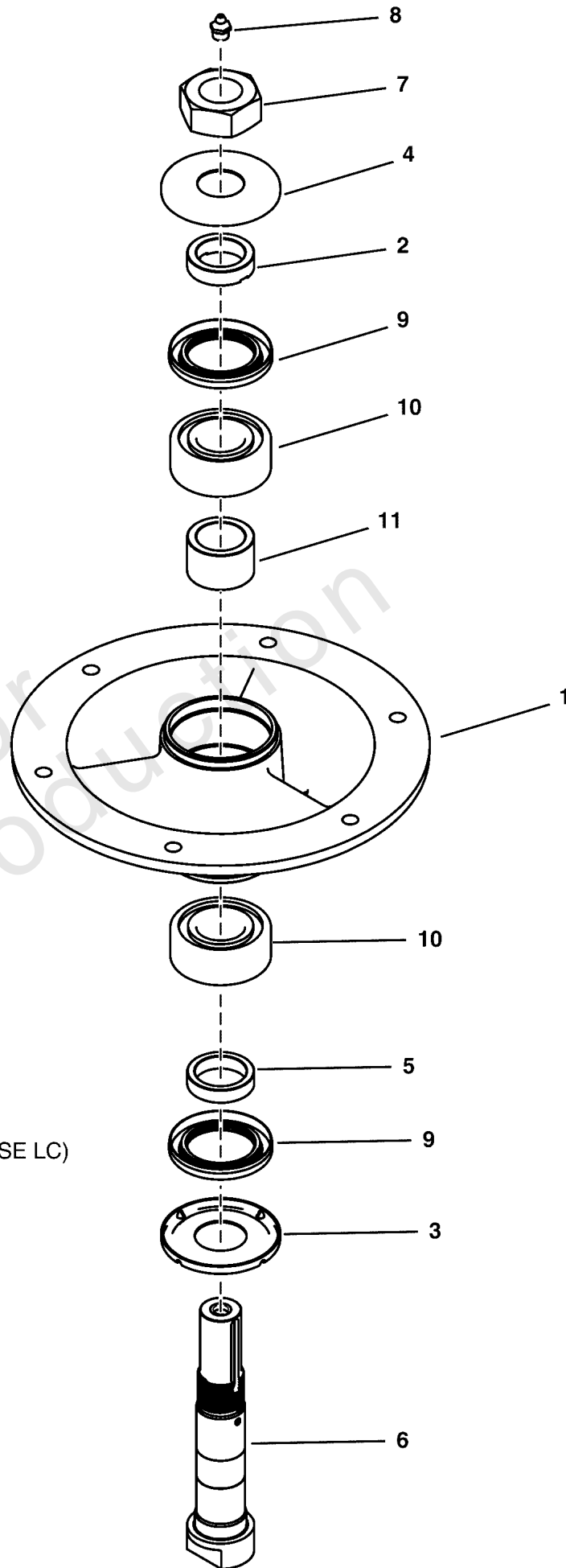
REF NO	PART NO	QTY	DESCRIPTION
0010	703115	8	NUT, Flange Nylock, 5/16-18
0030	5025394SM	2	NUT, Hex Flange, Nylock, 3/8-16
0040	5101333YP	1	SAFETY WALK, FLOOR PLATE, S50X, 10X17.13
0050	5101374YP	1	SAFETY WALK
0060	703585	2	CAPSCREW, Hex Head, 5/16-18 x 1
0070	703590	4	WASHER, .406
0150	703350	2	WASHER, 5/16, Flat SAE, Zinc/Clear
0170	5601176	1	SEAT PLATE W/ DECALS - LMTD EDTN
0190	1670578SM	1	KNOB, Internal Thread, 5/16 (Used Only on 24 in. Models)
0200	5025145X10YP	1	BOLT, 5/16-18 X 1-1/4, CARRIAGE, GD5, CZ
0210	197546GS	6	MOUNT, Vibration
0220	761449MA	1	KIT, DISCHARGE CHUTE
0230	84003198	1	PLATE, Removable Floor
0240	84003199	1	PLATE, Floor
0250	5025145X6SM	2	BOLT, 5/16-18 X 3/4, CARRIAGE, GD5, CZ
0310	5025452YP	2	BODY CLIP, 5/16-18 -1/4 MATERIAL
0320	5025013X18SM	2	CAPSCREW, Hex Head, 3/8-16 X 1-3/4
0350	84003200	1	SHIELD, Debris
0360	5025010X6SM	3	CAPSCREW, Hex Head, 1/4-20 x 3/4 (stiffener to top of cover)
0370	5601176	3	SEAT PLATE W/ DECALS - LMTD EDTN
0380	703233	3	NUT, Serrated, Flange, 1/4-20, GR5
0400	84003201	2	SUPPORT, Rubber
0410	84002142	1	WELD, SEAT LATCH HOOK - BLACK
0420	84003202	1	SPRING, Torsion
0430	703312	1	PIN, Cotter, 3/32 X 3/4
0440	84006088	1	SEAT
0440-10	84003205	1	LUMBAR/RECLINE/ISO LVR W/ RLL PIN BS -(SV)
0440-15	84003206	1	4" SINGLE LOCKING TRACKS BASE -(SV)
0440-20	84003207	1	SET OF ARM KITS -(SV)
0440-25	84003208	1	SET OF ARM PADS -(SV)
0440-30	84003209	1	KNOB, Adjuster -(SV)
0440-35	84003210	1	BELLOWS W/ HARDWARE BASE -(SV)
0440-40	84003211	1	KNOB, Adjuster -(SV)
0440-45	84003212	1	CUSHION, Seat -(SV)
0440-50	84006091	1	CUSHION, Back -(SV)
0440-55	7023354YP	1	SWITCH, Seat, Push Button (NC) -(SV)
0440-60	84003214	1	BELT, Seat -(SV)
1000	84003643	1	KIT, Headrest
1000-10	-----	1	CUSHION, Headrest
1000-20	-----	1	BRACKET, Headrest Cushion
1000-30	84003203	6	SCREW, 5/16-18X1, BUT HD, BLK, W/PATCH
1000-40	84001871	6	WASHER, FENDER, 1.00 OD X .315 ID X .055

# Spindle Service Parts - 84003242

Note: Unless noted otherwise, use the standard torque specifications

Mfg. No: 5901798

5413009SV



**NOTE:**  
FOR FINAL ASSEMBLY, APPLY  
LOCTITE - GRADE 272 TO NUT  
PRIOR TO TORQUING.

FINAL TORQUE OF RETAINING  
NUT TO BE 165-225 FT-LBS.

FILL CAVITY WITH NLGI, GRADE 2,  
EP-2 GREASE THROUGH GREASE  
FITTING AFTER FINAL ASSEMBLY  
AND TORQUE. (SUPERPLEX EP-S,  
SHELL ALBIDA LC2, BP ENERGREASE LC)



## Spindle Service Parts - 84003242

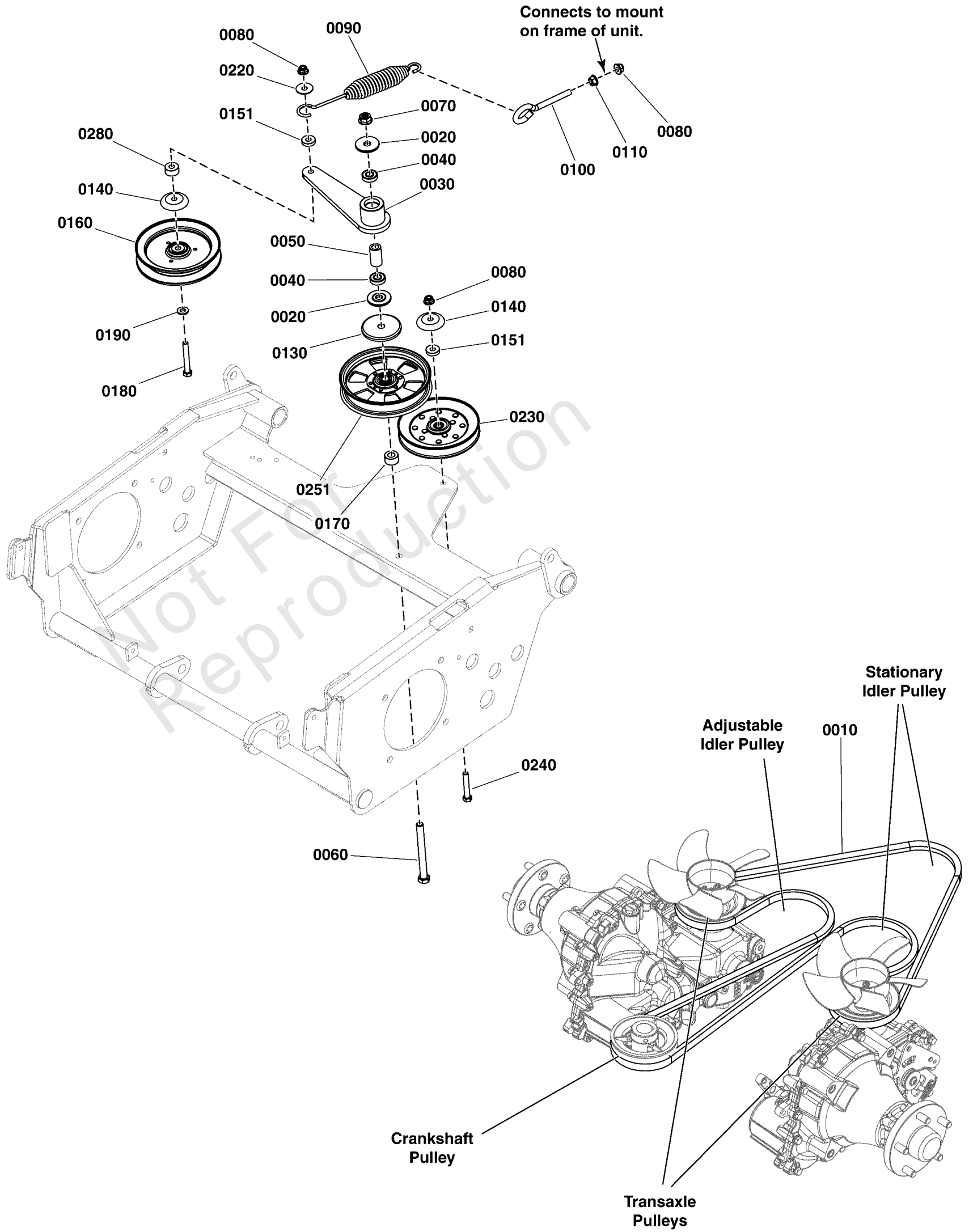
REF NO	PART NO	QTY	DESCRIPTION
1	84003315	1	HOUSING, Spindle
2	84003316	1	SPACER -(1.183 x 1.625 x 0.420)
3	84003317	1	SHIELD
4	84003318	1	SHIELD
5	84003319	1	SPACER -(1.25 X 1.63 X .383)
6	84003320	1	SHAFT, Spindle
7	84003321	1	NUT -(1-1/ 8- 12 UNF, CZ)
8	5023329SM	1	FITTING, 1/8 NPT STR, Short
9	84003323	2	SEAL, Lip
10	84003324	2	BEARING
11	84003325	1	SPACER

Not For Reproduction

# Transaxle Drive Group

Note: Unless noted otherwise, use the standard torque specifications

Mfg. No: 5901798



## Transaxle Drive Group

REF NO	PART NO	QTY	DESCRIPTION
0010	84003255	1	BELT, Drive -(B-SEC, 129"EL, ARAMID, WRAPED)
0020	5103262YP	2	SPACER, Idler Arm
0030	84003256	1	ARM, Idler
0040	7078243YP	2	BEARING, Ball
0050	5103812YP	1	SPACER
0060	5025017X40SM	1	BOLT, 1/2-13 X 5" GD5 YZ
0070	5025396SM	1	NUT, Hex Flange, 1/2-13
0080	5025394SM	3	NUT, Hex Flange, Nylock, 3/8-16
0090	5100632YP	1	SPRING-EXT, 1.25OD X 9.3LG X .142WR, BLK
0100	5025429SM	1	EYEBOLT, 3/8-16 X 4, 2.13THRD, .75EYE, C
0110	5025128SM	1	NUT, Hex, Serrated Flange, 3/8-16 (S/N 616 & up)
0130	5105145YP	1	SHIELD, BEARING, 1/2ID X 2-7/8 OD, CZ
0140	5103787YP	2	SHIELD, BEARING PULLEY, 3/8ID, CZ
0151	5044960SM	2	SPACER, .39ID x 1 OD x 1/4
0160	5103789YP	1	PULLEY, C-SEC, V-IDLER, 6.25"ODX3/8ID
0170	5101162YP	1	SPACER, .52 X 1.00 X .56
0180	5025013X22SM	1	CAPSCREW, Hex Head, 3/8-16 X 2-3/4
0190	5025293SM	1	WASHER, 3/8" GR. 9 FLAT
0220	5025165SM	1	WASHER, Fender, 3/8
0230	5102093YP	1	PULLEY-IDLER-V, 5.83OB, .38ID, .94W, STL
0240	5025013X18SM	1	CAPSCREW, Hex Head, 3/8-16 X 1-3/4
0251	5104717YP	1	PULLEY, FLT IDLR, 6.0 X 1.0 X .50, CZ
0280	5046860SM	1	SPACER, .39 X 1.00 X .50, PM, CZ

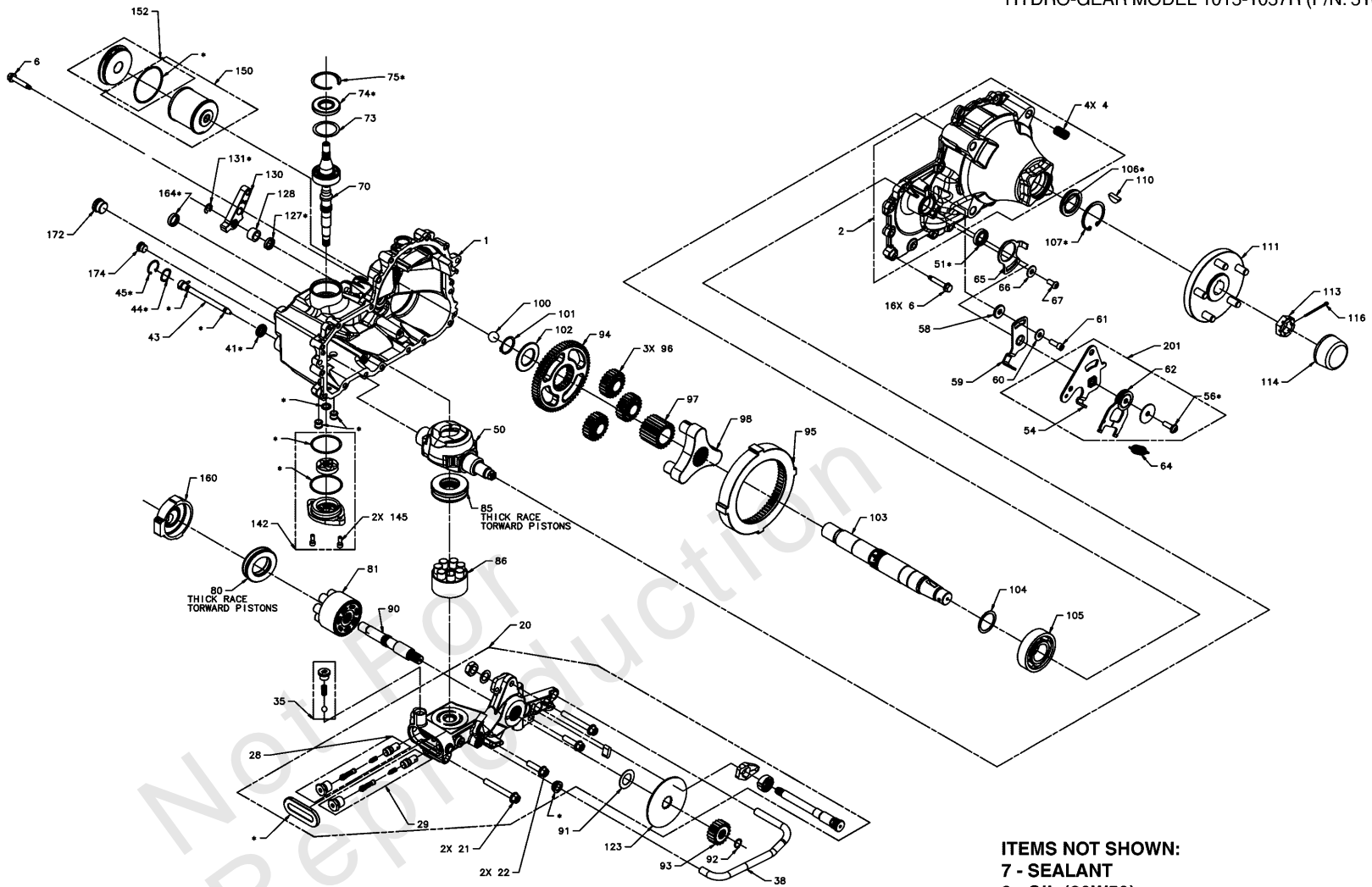
# Transaxle SERVICE PARTS - ZT5400

Note: Unless noted otherwise, use the standard torque specifications

Mfg. No: 5901798

## HYDRO-GEAR MODEL 1015-1014L (P/N: 5101988)

- HYDRO-GEAR MODEL 1015-1014R (P/N: 5101987)
- HYDRO-GEAR MODEL 1015-1017L (P/N: 5102254)
- HYDRO-GEAR MODEL 1015-1017R (P/N: 5102253)
- HYDRO-GEAR MODEL 1015-1024L (P/N: 5102870)
- HYDRO-GEAR MODEL 1015-1024R (P/N: 5102871)
- HYDRO-GEAR MODEL 1015-1057L (P/N: 5103964)
- HYDRO-GEAR MODEL 1015-1057R (P/N: 5103963)



ITEMS NOT SHOWN:  
7 - SEALANT  
8 - OIL (20W50)  
200 - SEAL KIT (\*) PARTS INCLUDED IN SEAL KIT

## Transaxle SERVICE PARTS - ZT5400

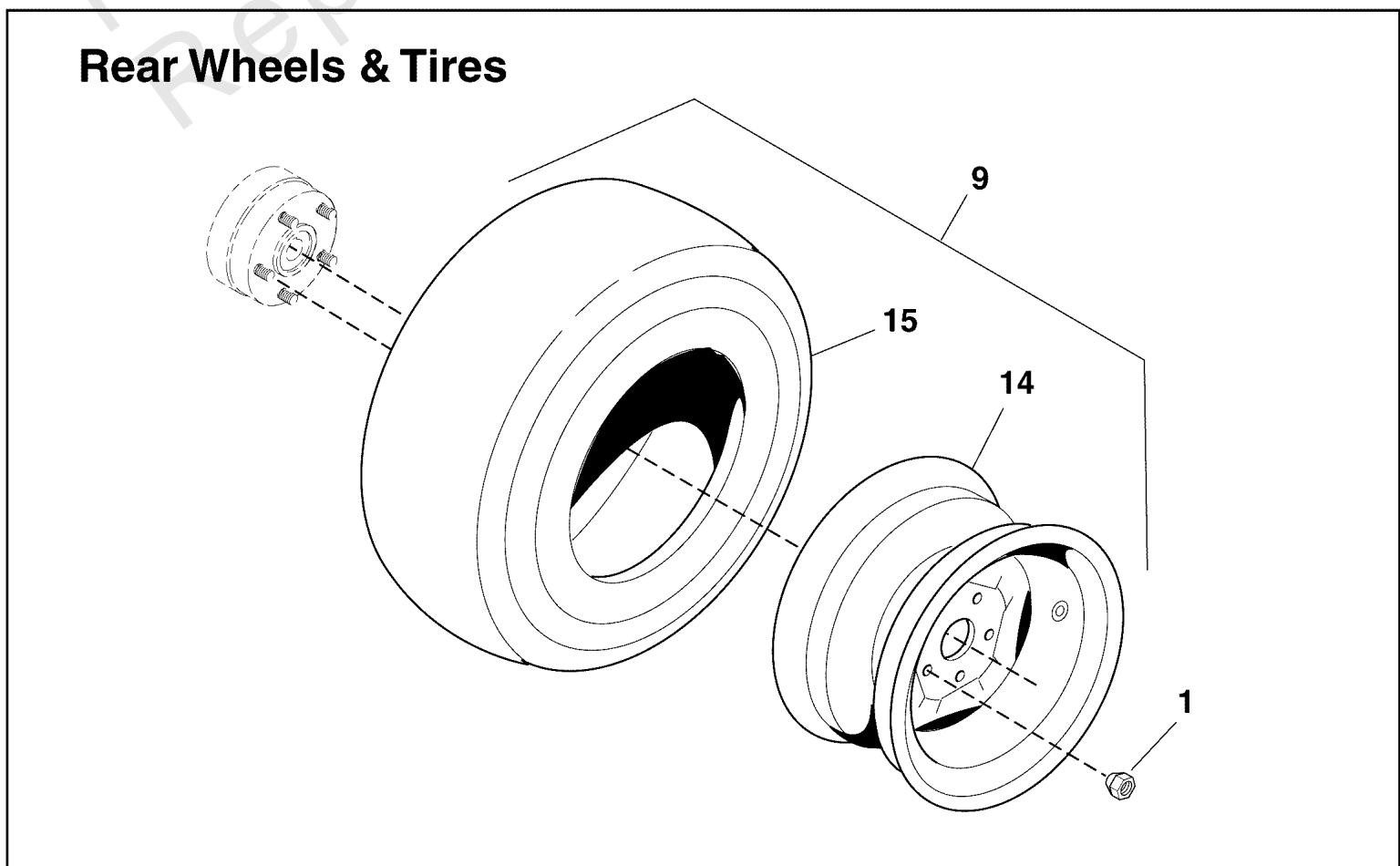
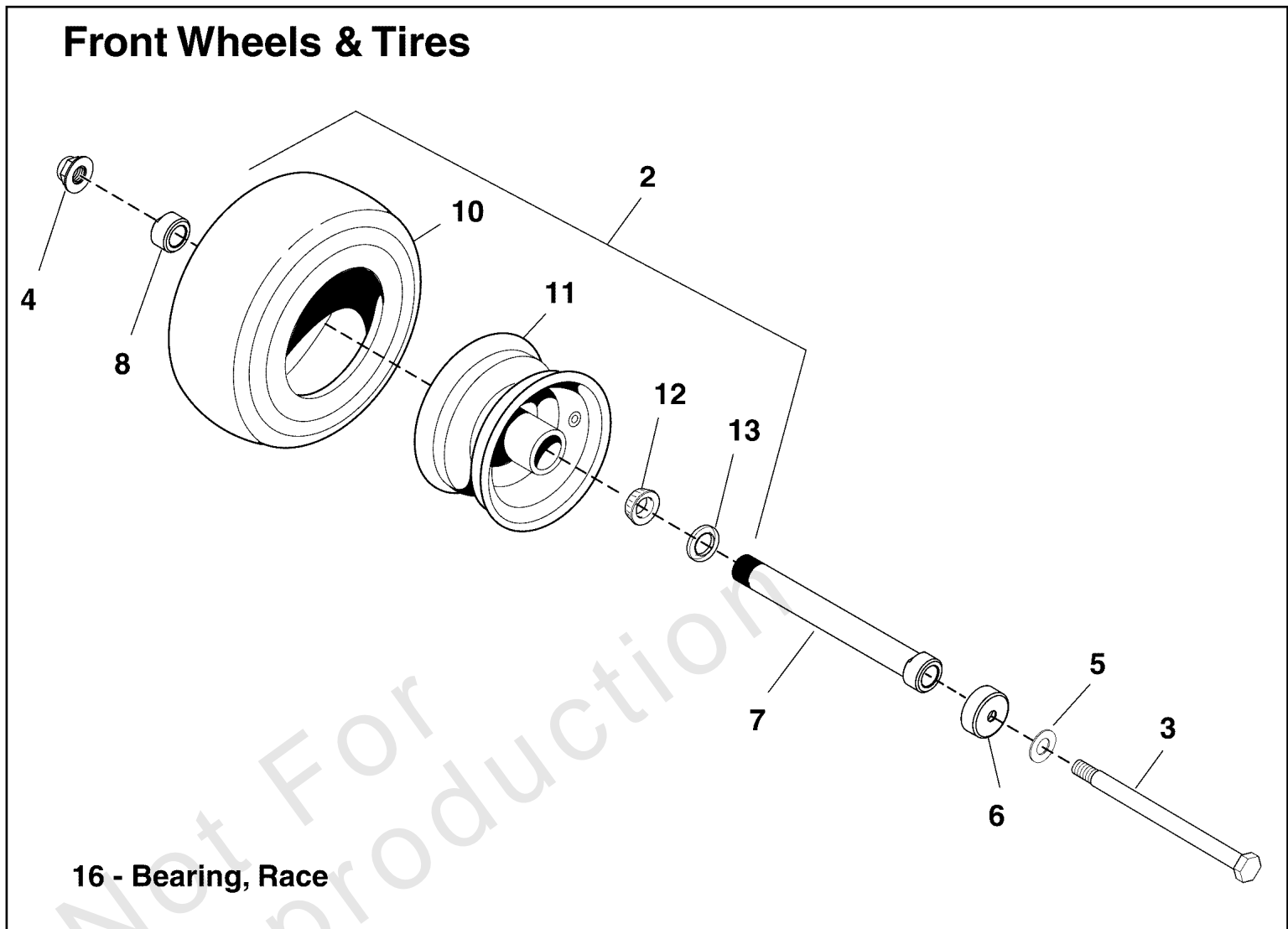
REF NO	PART NO	QTY	DESCRIPTION
114	5101987X5YP	1	Axle Cap (SV) -(Hydro-Gear P/N 53724)
150	5101987X2YP	1	Kit, Filter (SV) -(Hydro-Gear P/N 71943)
200	5101987X4YP	1	Kit, Seal (SV) -(Hydro-Gear P/N 71945)
51	84003309	1	KIT, CONTROL ARM SEAL -(Hydro-Gear P/N 52989)
70	84003310	1	KIT, INPUT SHAFT (BEARING AND SHAFT ONLY) -(Hydro-Gear P/N 71941)
74	84003311	1	KIT, INPUT SEAL -(Hydro-Gear P/N 51280)
111	84003312	1	ASSM, HUB, STANDARD AXLE TRANSMISSIONS (ZT5400) -(Hydro-Gear P/N 72039)
111	84003313	1	ASSM, HUB, LONG AXLE TRANSMISSIONS (ZT5400) -(Hydro-Gear P/N 72102)
106	84003314	1	KIT, AXLE SEAL -(Hydro-Gear P/N 53008)

Not For Reproduction

# Wheel & Tire Group

Note: Unless noted otherwise, use the standard torque specifications

Mfg. No: 5901798



## Wheel & Tire Group

REF NO	PART NO	QTY	DESCRIPTION
1	5020601SM	10	NUT, Lug, 1/2-20
2	5023136YP	2	TIRE ASSY, 13 X 6.5 SILVER
3	5025017X72YP	2	BOLT, 1/2-13 X 9 GD5 YZ
4	5025396SM	2	NUT, Hex Flange, 1/2-13
5	5025158SM	2	WASHER, 1/2
6	5103594YP	4	DEBRIS, COVER, CASTER WHEELS
7	5103649YP	2	BEARING ADJUSTER, SPACER, 7.062 LG
8	5103650YP	2	NUT, BEARING ADJUSTER, AXLE
9	84003238	2	TIRE ASSEMBLY -(26X12.00-12, Turf Smart)(S/N: 4000798695 and below)
9	84003892	2	TIRE ASSEMBLY -(26X12.00-12, Multi-Trac)(S/N: 4000798696 and above)
10	5022577YP	2	TIRE, Rubber Only
11	5023136X1YP	2	WHEEL ASSEMBLY, FOR 13 X 6.5 X 6 TIRES (INCLUDES BEARING AND SEALS)
12	5022631SX2SM	4	BEARING, TAPERED CONE -(2 per tire)
13	5022631SX3SM	4	SEAL, GREASE -(2 per tire)
14	84003239	2	RIM, Wheel -(12 X 9.5, 4.063" Offset)
15	84003240	2	TIRE -(26X12.00-12 Turf Smart)(S/N: 4000798695 and below)
15	84003893	2	TIRE -(26X12.00-12 Multi-Trac)(S/N: 4000798696 and above)
16	5022631SX4SM	2	BEARING, RACE -(Not illustrated)

# Hardware Identification & Torque Specifications

Torque Specification Chart								
FOR STANDARD METRIC MACHINE HARDWARE (Tolerance ± 20%)								
Property Class	5.6		8.8		10.9		12.9	
	Class 5.6		Class 8.8		Class 10.9		Class 12.9	
Size Of Hardware	in/lbs	Nm.	in/lbs	Nm.	in/lbs	Nm.	in/lbs	Nm.
	ft/lbs		ft/lbs		ft/lbs		ft/lbs	
M3	5.88	.56	13.44	1.28	19.2	1.80	22.92	2.15
M4	13.44	1.28	30.72	2.90	43.44	4.10	52.56	4.95
M5	26.4	2.50	60.96	5.75	5.97	8.10	7.15	9.7
M6	44.64	4.3	7.3	9.9	10.3	14	12.1	16.5
M7	5.2	7.1	12.1	16.5	16.9	23	19.9	27
M8	7.7	10.5	17.7	24	25	34	29	40
M10	15	21	35	48	50	67	59	81
M12	26	36	61	83	86.2	117	103	140
M14	42	58	101	132	136	185	162	220
M16	64	88	147	200	210	285	250	340
M18	89	121	202	275	287	390	346	470
M20	126	171	290	390	405	550	486	660
M22	169	230	390	530	559	745	656	890
M24	217	295	497	375	708	960	840	1140
M27	320	435	733	995	1032	1400	1239	1680
M30	435	590	995	1350	1401	1900	1681	2280
M33	590	800	1349	1830	1902	2580	2278	3090
M36	759	1030	1740	2360	2441	3310	2935	3980
M39	988	1340	2249	3050	3163	4290	3798	5150

Torque Specification Chart						
FOR STANDARD MACHINE HARDWARE (Tolerance ± 20%)						
Hardware Grade	No Marks		SAE Grade 5		SAE Grade 8	
	SAE Grade 2		SAE Grade 5		SAE Grade 8	
Size Of Hardware	in/lbs	Nm.	in/lbs	Nm.	in/lbs	Nm.
	ft/lbs		ft/lbs		ft/lbs	
8-32	19	2.1	30	3.4	41	4.6
8-36	20	2.3	31	3.5	43	4.9
10-24	27	3.1	43	4.9	60	6.8
10-32	31	3.5	49	5.5	68	7.7
1/4-20	66	7.6	8	10.9	12	16.3
1/4-28	76	8.6	10	13.6	14	19.0
5/16-18	11	15.0	17	23.1	25	34.0
5/16-24	12	16.3	19	25.8	29	34.0
3/8-16	20	27.2	30	40.8	45	61.2
3/8-24	23	31.3	35	47.6	50	68.0
7/16-14	30	40.8	50	68.0	70	95.2
7/16-20	35	47.6	55	74.8	80	108.8
1/2-13	50	68.0	75	102.0	110	149.6
1/2-20	55	74.8	90	122.4	120	163.2
9/16-12	65	88.4	110	149.6	150	204.0
9/16-18	75	102.0	120	163.2	170	231.2
5/8-11	90	122.4	150	204.0	220	299.2
5/8-18	100	136	180	244.8	240	326.4
3/4-10	160	217.6	260	353.6	386	525.0
3/4-16	180	244.8	300	408.0	420	571.2
7/8-9	140	190.4	400	544.0	600	816.0
7/8-14	155	210.8	440	598.4	660	897.6
1-8	220	299.2	580	788.8	900	1,244.0
1-12	240	326.4	640	870.4	1,000	1,360.0

The guides and ruler furnished below are designed to help you select the appropriate hardware.



Nut, M8

Thread Diameter (mm)

Inside Diameter (in)      Threads per inch

Nut, 1/2-16



Screw, M8- 1.25 x 25

Thread Diameter (mm)      Distance between threads (mm)      Body Length (mm)

Body Diameter      Threads per inch      Body Length (in)

Screw, 1/2- 16 x 2



## Standard Hardware Sizing

When a washer or nut is identified as 1/2" (M8), this is the *Nominal size*, meaning the *inside diameter* is 1/2 inch (8mm metric thread diameter); if a second number is present it represents the *threads per inch* (distance between threads).

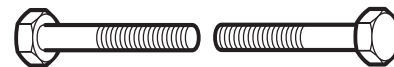
When bolt or capscrew is identified as 1/2 - 16 x 2" (M8 - 1.25 x 50), this means the *Nominal size*, or body diameter is 1/2 inch (8mm metric thread diameter), the second number, 16, represents the *threads per inch*, (*distance between threads*). The final number is the body length of the bolt or screw, 2 inches (50mm).

## NOTES

- These torque values are to be used for all hardware excluding: locknuts, self-tapping screws, thread forming screws, sheet metal screws and socket head setscrews.
- Recommended seating torque values for locknuts:
  - for prevailing torque locknuts - use 65% of grade 5 torques.
  - for flange whizlock nuts and screws - use 135% of grade 5 torques.
- Unless otherwise noted on assembly drawings, all torque values must meet this specification.

## Common Hardware Types

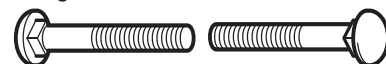
Hex Head Capscrew



Washer



Carriage Bolt



Hex Nut

## Wrench & Fastener Size Guide

1/4" Bolt or Nut Wrench—7/16"	5/16" Bolt or Nut Wrench—1/2"	3/8" Bolt or Nut Wrench—9/16"	7/16" Bolt or Nut Wrench (Bolt)—5/8" Wrench (Nut)—11/16"	1/2" Bolt or Nut Wrench—3/4"
M6 Bolt or Nut Wrench—10mm	M8 Bolt or Nut Wrench—13mm	M10 Bolt or Nut Wrench—17mm	M12 Bolt or Nut Wrench—19mm	M14 Bolt or Nut Wrench—22mm



