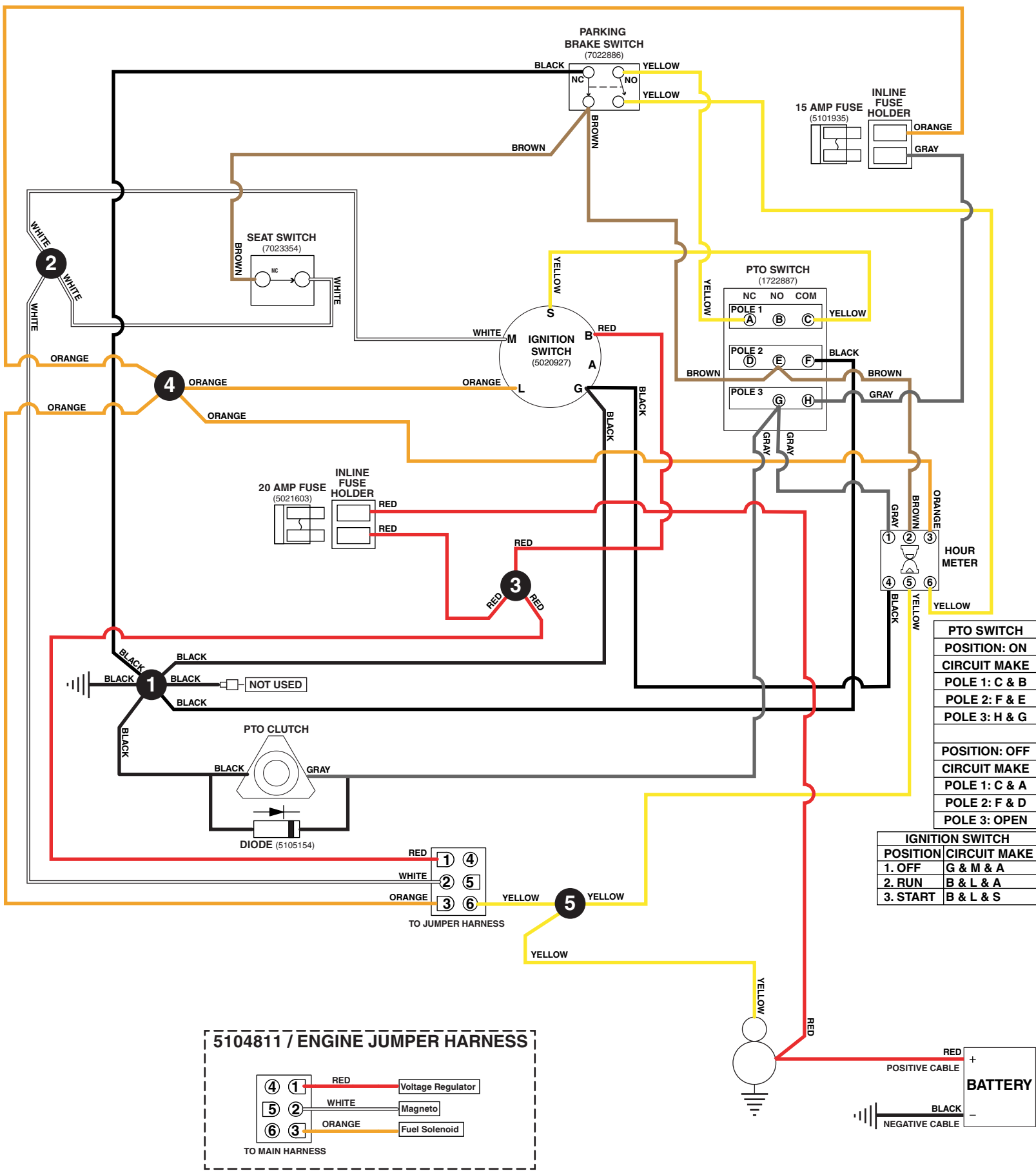


5105536 MAIN WIRE HARNESS - KAWASAKI FX600V ENGINES

5105536E

(If internal schematic of the switch is not shown, the image of the switch represents the back view of the connector as it is connected to the switch.)



PTO SWITCH	
POSITION	CIRCUIT MAKE
ON	POLE 1: C & B
OFF	POLE 1: C & A
OFF	POLE 2: F & E
OFF	POLE 2: F & D
OFF	POLE 3: H & G
OFF	POLE 3: OPEN

IGNITION SWITCH	
POSITION	CIRCUIT MAKE
1. OFF	G & M & A
2. RUN	B & L & A
3. START	B & L & S

