



OPERATIONS & PARTS MANUAL

FOR MODELS:

- BE-PFS250G
- BE-PFS400G
- BE-PFS500G

PURCHASE DATE	MODEL NO.	SERIAL NUMBER
DEALER		

TABLE OF CONTENTS

3	SAFETY INSTRUCTIONS
5	ASSEMBLY & MOUNTING
8	OPERATING INSTRUCTIONS
12	MAINTENANCE & TROUBLESHOOTING
13	EXPLODED VIEW & PARTS LIST

TO THE OWNER

⚠ ATTENTION!

- Read instruction manual and make sure all operators are knowledgeable on correct operation of equipment and familiar with Safety Rules of Operation.
- Never allow riders on equipment.
- When operating on rough or uneven terrain, use extreme caution and a safe operating speed.
- When separating seed or fertilizer, always use safety goggles.
- Never operate equipment when anyone is within 50 feet of seeder/spreader.

Before operating equipment - If you have any questions regarding the proper assembly or operation, contact your local dealer or representative.

All implements with moving parts are potentially hazardous. There is no substitute for a cautious, safe-minded operator who recognizes the potential hazards and follows reasonable safety practices.

The manufacturer has designed this implement to be used with all its safety equipment properly attached to minimize the chance of accidents.

BEFORE YOU START!

Read the safety messages on the implement and shown in your manual.

Observe the rules of safety and common sense!

THIS SYMBOL MEANS



- Attention
- Become Alert
- Your safety is involved

THIS SAFETY ALERT SYMBOL IDENTIFIES IMPORTANT SAFETY WARNING MESSAGES. CAREFULLY READ EACH WARNING MESSAGE THAT FOLLOWS. FAILURE TO UNDERSTAND AND OBEY A SAFETY WARNING, OR RECOGNIZE A SAFETY HAZARD, COULD RESULT IN AN INJURY OR DEATH TO YOU OR OTHERS AROUND YOU. THE OPERATOR IS ULTIMATELY RESPONSIBLE FOR THE SAFETY OF HIMSELF, AS WELL AS OTHERS, IN THE OPERATING AREA OF THE TRACTOR AND EQUIPMENT.

UNDERSTAND SIGNAL WORDS

Note the use of signal words DANGER, WARNING and CAUTION with the safety messages.

The appropriate signal words for each have been selected using the following guidelines:

DANGER: Indicates an imminently hazardous situation that, if not avoided, could result in death or serious injury. This signal word is limited to the most extreme situations typically for machine components which, for functional purposes, cannot be guarded.

WARNING: Indicates a potentially hazardous situation that, if not avoided, could result in death or serious injury, and includes hazards that are exposed when guards are removed. It may also be used to alert against unsafe practices.

CAUTION: Indicates a potentially hazardous situation that if not avoided, may result in minor or moderate injury. It may also be used to alert against unsafe practices.

SAFETY INFORMATION

Working with unfamiliar equipment can lead to careless injuries. Read this manual, and the manual for your tractor, before assembly or operating, to acquaint yourself with the machine. It is the equipment owner's responsibility, if this equipment is used by any person other than yourself, is loaned or rented, to make certain that the operator, prior to operating:

- Reads and understands the operator's manual
- Is instructed in safe and proper use.

⚠ The use of this equipment is subject to certain hazards which cannot be protected against by mechanical means or product design. All operators of this equipment must read and understand this entire manual, paying particular attention to safety and operating instructions, prior to using.

If there is something in this manual you do not understand, ask your supervisor, or your local dealer, to explain it to you.

⚠ Most accidents occur because of neglect or carelessness. Keep all heelers and bystanders fifty feet (50') from operating equipment. Only properly trained people should operate this tractor and attached implement. It is recommended the tractor be equipped with a Roll Overprotective System (ROPS) and a seat belt that is used. Always stop the tractor, set brake, shut Off engine, remove the tractor key and lower implement to the ground before dismounting tractor.

Never leave equipment unattended with the tractor running.

⚠ All equipment is potentially hazardous. There is no substitute for a cautious, safe-minded operator who recognizes potential hazards and follows reasonable safety practices.

⚠ When the use of hand tools is required to perform any part of assembly, installation, adjustment, maintaining, repairing, removal or moving the implement, be sure the tools used are designed and recommended by the tool manufacturer for that specific task.

⚠ Personal protection equipment including safety glasses, safety shoes and gloves are recommended during assembly, installation, operation, adjustment, maintaining, repairing, removing of the spreader.

⚠ Always use two people to handle heavy, unwieldy components during assembly, installation, removal or moving of the implement.

⚠ Never place any part of your body where it would be in danger if movement should occur during assembly, installation, operation, maintaining, repairing or moving the implement.

Do not work under a raised implement unless it is securely blocked or held in position. Do not depend on the tractor hydraulic system to hold the implement in place.

⚠ A heavy load can cause instability of the tractor. Use extreme care during travel. Slow down on turns and watch out for bumps. The tractor may need front counterweights to counter-balance the weight of the implement. An unstable tractor could steer badly and possibly tip over, causing injury or death.

⚠ Never use alcoholic beverages or drugs which can hinder alertness or coordination while operating equipment.

⚠ Do not allow others to ride on the tractor with an operator. Rider is subject to injury such as being struck by foreign objects or being thrown off. Riders obstruct the operator's view resulting in unsafe operation. Never allow anyone to ride on the implement

⚠ Before you operate any implement, check over all pins, bolts, and connections to be sure all are securely in place. Replace any damaged or worn parts immediately.

- ⚠ Do not allow anyone who is not familiar with the safety rules and operation instructions to use this equipment.
- ⚠ Never place your hands between the tractor and the implement while implement is in operation.
- ⚠ Never allow children to operate or be around the equipment.
- ⚠ Do not exceed lift capacity of the tractor hitch.
- ⚠ Keep alert and watch the front as well as the rear when working with the attached implements.
- ⚠ Never operate spreader if anyone is within 50ft. of tractor and spreader.
- ⚠ Never use your hand or fingers to clear a jam of material in the feed gate. Use a clean stick or rod.
- ⚠ When spreading any material, always use safety goggles or safety glasses with side shields.
- ⚠ Always be aware of the wind direction and that it may carry the material further than normal spread width.

INSTRUCTIONS

TRACTOR REQUIREMENTS & PREPARATION

The 3PT mounted seeder/spreader with a PTO drive will fit most Category I and some larger Category O tractors. Larger Category II tractors may also be used if the 3PT hitch lift arms will narrow to 26 inches. Bushings will be needed to fit the category I (7/8" dia.) lift pins.

NOTE: Some Category O tractors have very short lift arms or 5/8" diameter (Cat O) lift arm ball ends. These tractors are not usually suitable.

Check the tractors 3PT hitch. The hitch hydraulic system should be able to hold the lift arms at a set height. If the hydraulic system leaks and allows the lift system in good working order. (I&T shop manuals will list most specifications and adjustment instructions - available from most farm equipment dealers).

NOTE: The seeder/spreader weighs 96 pounds and can hold up to 600 pounds of fertilizer. The tractor needs to be large enough to handle this possible 700 pound load safely. The tractor may have to be equipped with front end weights to be properly counterbalanced.

Check the shield over the PTO stub shaft. Make sure it is in good condition and bolted securely to the tractor. Purchase a new shield if old shield is damaged or missing.

ASSEMBLY & MOUNTING

Mount the seeder on your tractor by sliding the lift arm ball sockets over the seeder pull pins and secure with lynch pins (not furnished). Attach the center link (not furnished) to the center link bracket on the seeder using a center link pin (not furnished) and secure it with a suitable lynch pin. Adjust the center link so that the seeder fan is parallel to the ground.

NOTE: Use stabilizer bars, adjustable sway chains, or sway blocks on your tractor lift arms to keep the seeder/spreader from swinging side to side. Adjust as tightly as practical for best performance.

PTO INSTALLATION

In some cases, it may be necessary to shorten the PTO assembly to match your tractor. The following procedure should be used: (Refer to Figure 1)

Raise the tractor 3PT hitch so the input shaft of the spreader gearbox is in line with the PTO shaft on the tractor.

⚠ CAUTION!

Be sure your tractor is in good condition. Read all the safety precautions and make sure all tractor operators are familiar with safety rules of operation.

PACKING

The seeder/spreader is shipped assembled, except for the PTO drive shaft.

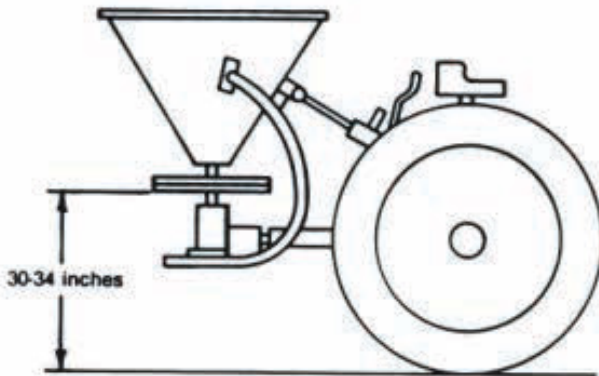


Figure 2

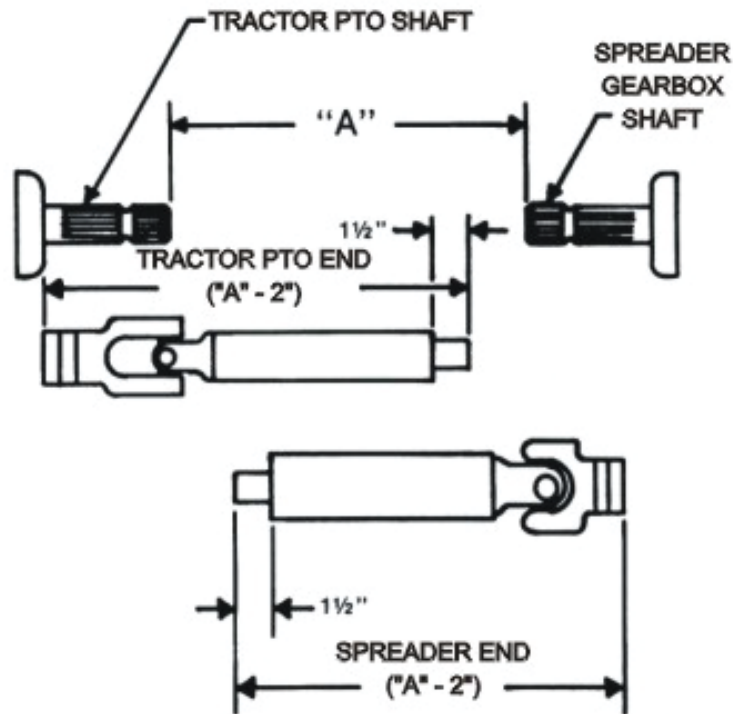


Figure 1

Measure the distance between the ends of the two shafts (Dimension "A", Figure 1). Each half of PTO should be equal to Dimension "A" minus two inches (2").

If the driveline must be cut to a shorter length, clamp the driveline in a well-padded vise to prevent damage to the shield (Figure 3). Cut the plastic shields 1-1/2" shorter than shafts.

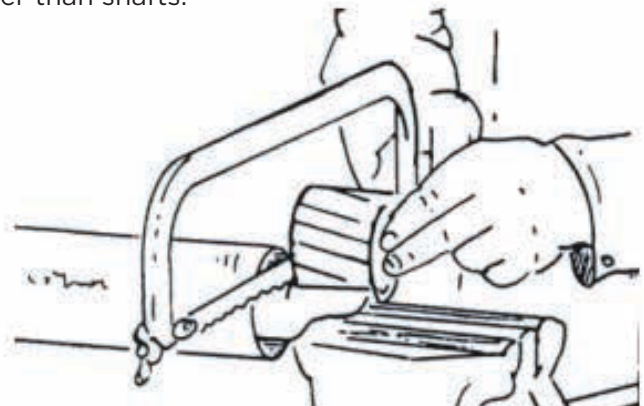


Figure 3

Repeat the procedure to the other driveline half. Remove all burrs and cuttings.

Apply multi-purpose grease to inside of outer (female) driveline section. Assemble driveline and install on tractor and spreader. Pull on each driveline section to be sure yokes lock into place. Make certain driveline shielding is in place and is in good condition.

NOTE: A PTO driveline that is too long and “bottoms out” could possibly cause severe damage to the gearbox.

It is VERY IMPORTANT to check the proper PTO driveline length for your tractor. Gearboxes damaged by incorrect PTO driveline length are NOT covered by warranty.

NOTE: The use of a PTO shaft adapter or extension could require that the PTO driveline be shortened a considerable amount. If this is done, the driveline halves may separate when the spreader is lowered to the ground.

⚠ CAUTION

Do not operate this equipment without shields properly installed.

This is for your protection, and the manufacturer always recommends the use of these shields.

⚠ CAUTION

When attaching PTO yoke to tractor PTO shaft, it is important that spring-activated locking pin slides freely and is seated in groove on PTO shaft. A loose shaft could slip off and result in injury or damage to equipment.

If your tractor has extra long lift arms, it may be necessary to use a PTO extension so that you can use the PTO shaft assembly provided. Be sure the PTO assembly does not close too far (bottom out) if you use a PTO extension.

Never raise or lower the seeder/spreader so that the PTO shaft assembly will come apart.

⚠ CAUTION

A heavy load can cause instability in driving a tractor. Make sure the front of the tractor is properly counterbalanced with weights. Always drive slowly - especially around turns.

An unstable tractor could steer badly and possibly tip over, causing injury or death.

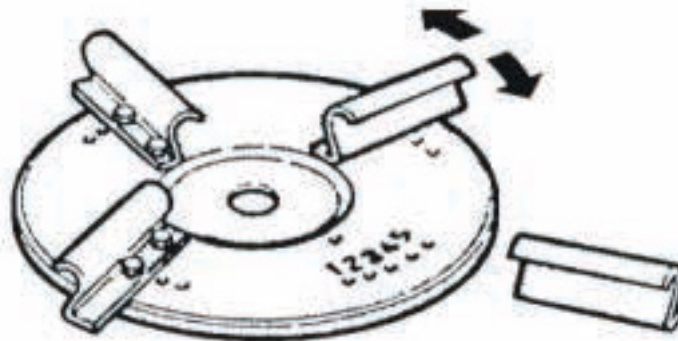


Figure 4

Fertilizers will vary as to weight and quality which may require additional adjustment by moving the individual fan blades. Moving the blade tips forward will carry more material to the left side. Moving the fan blade tips back will allow more material to be spread to the right.

Make small adjustment moves and check spread after each adjustment.

NOTE: The gearbox is filled with lubricant and sealed at the factory. If operated and stored properly, the gearbox will provide a long, trouble-free service life. If disassembly that the box be re-filled with a good quality grease and that the box halves are released with a silicone adhesive.

OPERATING INSTRUCTIONS

PLEASE READ THE INSTRUCTIONS CAREFULLY!

- Right-hand or left-hand reference is determined by standing at the rear of the seeder/spreader and facing in the direction of travel of the tractor.
- Check the register of the control lever indicator with the seed gate (material gate). With the seed gate closed, the control lever should be in its fully raised position. Control lever settings listed on the spread charts are to the adjustable pointer/stop below the control lever.
- DO NOT FILL HOPPER (especially with fertilizer and transport over long distances, as it may result, causing poor or erratic discharge.
- FOR BEST RESULTS use pelleted fertilizer, as it has little tendency to lump and causes little or not dust.
- Be sure to sift or break up lumps found in some types of granular fertilizer before filling hopper.
- Do not use on windy days, especially when spreading fine grass seed.
- Be extremely careful if you are spreading herbicides, as there is the possibility of wind drift or overthrow into areas where serious crop/shrub damage could occur. Always follow instructions on chemical package.
- Raise the seeder/spreader up so the spreader fan is 30-34 inches above the ground. This will give you the best spreading performance. It is also best if the seeder/spreader is tilted slightly forward so that the spreader fan throws slightly upward. (Use the top link to make this adjustment). The PTO shaft assembly should not be at a sharp angle - it should operate straight or level.
- Adjust the tension on the control handle so it moves with some resistance but will remain where you set it.
- Adjust the control handle stop so that at the end of the field you can shut the seed gate and, after your turn, re-open to your exact setting.
- If, by chance, the agitator does become jammed, open the feed gate all the way. By sticking a small rod through the feed gate, the material jamming the agitator can be loosened and removed. After the jam is cleared, reset the feed gate and proceed. Always stop tractor and disengage PTO before dislodging material.

CAUTION

Do not attempt to use your fingers to clear a jam. Accidental closing of the feed gate could shear a finger off, or leaving the PTO engaged could rotate the agitator, which could pinch or amputate a finger. Be sure that the tractor engine is shut off and the PTO clutch is disengaged before doing any adjustment or repair.

When spreading fertilizer, always start vehicle in motion before opening feed gate. (Do not allow vehicle to sit stationary with feed gate open). If fertilizer is accidentally deposited too heavily in a small area, soak down thoroughly with garden hose or sprinkler to prevent burning.

SPREADING INSTRUCTIONS

The opening in the hopper bottom is regulated by the control handle. The size of the opening is determined by the calibrated scale. Place the control lever at the desired setting.

The spread chart in this manual is an approximate guide based on various forward speeds (from 4 mph to 7.5 mph). For accurate spreading, calibrate your tractor to operate at the desired speed. A calibrated speedometer is the best and most accurate. If your tractor does not have a speedometer or its accuracy is questionable, then you may calibrate in the following manner:

Set out two markers 88 feet apart. Select proper gear and adjust throttle speed to give the following travel time as shown between the markers.

NOTE: You cannot adjust the throttle very much, as you need to maintain 540 rpm PTO speed (A plus or minus 20 rpm could be tolerated).

- 1 MPH will travel 88 feet in 60 seconds
- 4 MPH will travel 88 feet in 15 seconds
- 5 MPH will travel 88 feet in 12 seconds
- 6 MPH will travel 88 feet in 10 seconds
- 7.5 MPH will travel 88 feet in 8 seconds

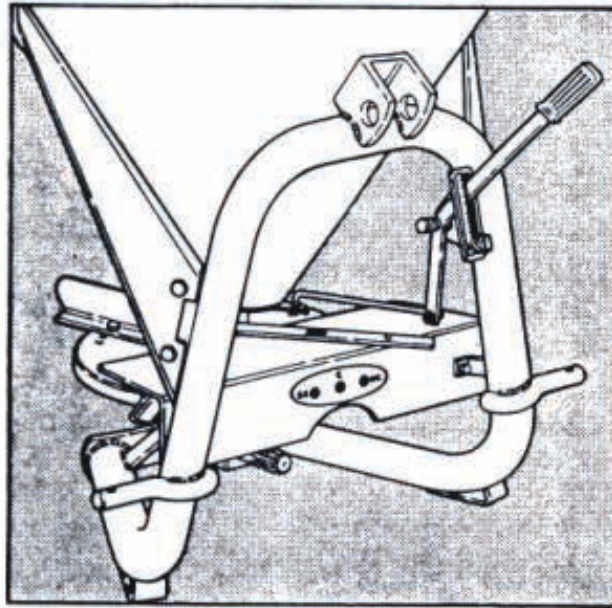
After selecting gear and throttle setting to give desired speed, mark the throttle position in some convenient manner. Check PTO speed to make sure it is near 540 RPM.

Check rate chart for suggested setting for material type to be spread.

You are now ready to make a trial run. To assure accurate results, close feed gates and put in a predetermined amount of the material to be spread. Spread this and check the results. Make final adjustments to obtain desired results.

⚠ CAUTION

KEEP ALL PERSONS AWAY FROM THE ROTATING SPREADER FAN AND THE PTO SHAFT! NEVER OPERATE WHEN ANYONE IS WITHIN 50 FEET OF THE SEEDER/SPREADER.



THREE SPREADING POSSIBILITIES

A simple adjustment of the lower level allows direction of distribution towards the right side or towards the left side of the tractor operator.

SPREADING CHART FOR FERTILIZERS

FERTILIZER TYRE	PTO SPEED (RPM)	SPREAD WIDTH IN FEET	TRACTOR SPEED (MPH)	QUANTITY TO BE SPREAD, IN POUNDS PER ACRE AT CONROL LEVEL SETTING INDICATED								
				0.5	1	1.5	2.0	2.5	3.0	3.5	4.0	4.5
Coarse Grain Fertilizers	540	40	2.5		97	139	246	414	516	640	789	935
			5		48	69	129	204	260	320	392	472
			7.5		37	53	85	139	175	218	260	323
Medium Grain Fertilizers	540	34	2.5	85	122	175	329	467	597	739	825	945
			5	51	73	105	170	236	303	376	417	478
			7.5	43	62	73	113	163	198	253	286	325
Fine Grain Fertilizers	540	26	2.5	60	85	122	204	340	440	551	647	770
			5	32	46	61	108	178	224	280	324	396
			7.5	21	30	41	93	122	153	193	220	263
Ammonium Nitrate	540	33	2.5		61	226	377	563	724	896	1052	1242
			5		28	116	190	284	366	448	525	622
			7.5		23	74	124	191	244	298	352	422
Urea (Carbamide)	540	26	2.5	77	110	303	458	669	818	1004	1171	
			5	41	59	150	231	300	411	500	590	
			7.5	26	37	100	150	221	275	336	392	

NOTE: Spread widths of fertilizer will vary according to type.

Always check actual spread width and application rate.

NOTE: Spread Chart settings are approximate - always make trial run to check actual application rate.

SPREADING CHART FOR SEED

MATERIAL	SPREAD WIDTH IN FEET	TRACTOR SPEED (MPH)	POUNDS PER ACRE(APPROXIMATE) AT CONROL LEVEL SETTING INDICATED								
			0.25	0.5	1.0	1.5	2.0	2.5	3.0	3.5	4.0
Alfalpa & Clover	26	4	14	48	118						
		5	11	39	95						
		6	9	32	79						
		7.5	7.5	26	63						
Barley	28	4				90	107	151	186		
		5				72	86	121	149		
		6				60	71	100	124		
		7.5				48	57	81	99		
Bluegrass & Bermude Grass	18	4			20.5	72					
		5			16.5	45					
		6			13.5	36					
		7.5			11	24					
Brome Grass	10	4			7	12	19				
		5			6	9.5	15				
		6			5	8	12				
		7.5			4	6	10				
Fescue & Ryegrass	18	4			11	34	74				
		5			9	27	59				
		6			7.5	22	49				
		7.5			6	18	39				
Lespedeza	32	4	5	11	22						
		5	3.5	9	18						
		6	3	7.5	15						
		7.5	2.4	6	12						
Oats	28	4				45	71	131			
		5				36	57	105			
		6				30	48	87			
		7.5				24	38	70			
Orchard Grass	12	4			14	21					
		5			11	17					
		6			9	14					
		7.5			7	11					
Rice	33	4				87	140	253			
		5				70	112	203			
		6				58	93	169			
		7.5				47	75	135			
Rye	33	4					86	135	186	227	
		5					69	109	149	182	
		6					57	90	124	151	
		7.5					46	72	99	121	
Sudan Grass	33	4			37	58	92				
		5			30	47	74				
		6			25	39	61				
		7.5			20	31	49				
Soybeans	40	4						127	150	170	200
		5						102	120	136	160
		6						85	100	113	133
		7.5						68	80	90	106
Wheat	33	4				70	111	151	198		
		5				56	89	121	159		
		6				46	74	100	147		
		7.5				37	59	80	106		

NOTE: Spread Chart settings are approximate - always make trial run to check actual application rate.

NOTE: Material can vary as to density, foreign material content, particle size and shape. These factors will aect both spread width and flow rate.

MAINTENANCE

The hopper should be washed after use, especially after use with corrosive material such as fertilizer, salt, or ice melting compounds. When dry, oil thoroughly.

The gearbox is filled with lubricant and sealed at the factory. If operated and stored properly, the gearbox will provide a long, trouble-free service life. If disassembly of the gearbox should ever be required, it is important that the box be re-filled with good quality grease and that the box halves are released with a silicone adhesive.

Grease PTO universal joints after every 8 hours of operation. Lubricate steel tube and shaft so they telescope freely.

Always store seeder/spreader in a clean, dry place.

Before using, check to make sure all nuts and bolts are tight.

Paint any bare metal or rusty spots for longer life.

TROUBLESHOOTING

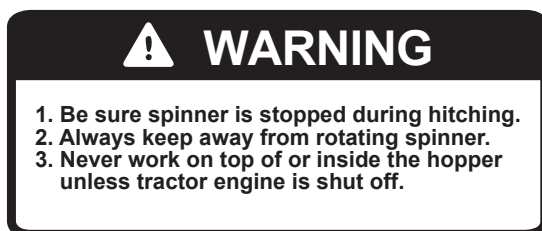
NOT FEEDING EVEN

- Seed gate opening may be set too close for the material being spread. To overcome, set the opening larger and drive faster to obtain same spread rate.
- Check material for foreign matter.
- Check agitator drive pin for shear.

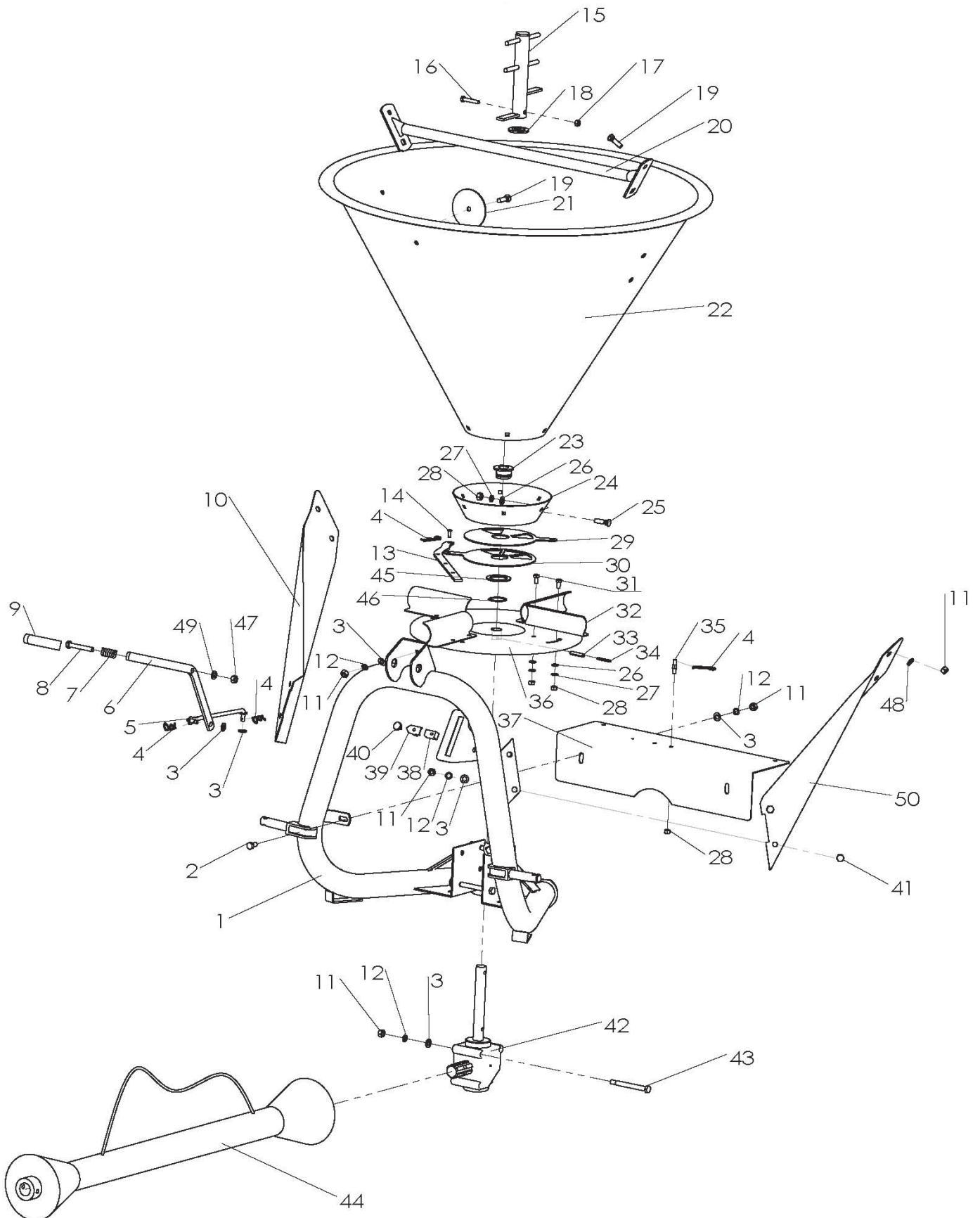
POOR SPREAD

- Too much speed (over 540 PTO rpm) can cause uneven spread.
- PTO speed too slow (PTO rpm under 520 rpm) will result in narrow spread.
- Bent fan blades.
- Drive pin sheared or missing on fan hub.
- Too windy for material being spread.
- Agitator problems. Check tips under “Not Feeding Even”.
- Operator not spacing spread runs properly for correct overlap. For best results, cover area twice over at one-half recommended material usage rate. The second time over, run halfway between first spreading width or in a criss-cross pattern. This method allows the most complete and even coverage, as well as to give operator a chance to adjust gate setting to compensate for too thin or too heavy a covering the first time over.
- Seeder/spreader should run level or tilted slightly forward. Make sure lift arms on tractor are adjusted so one side is not lower than the other.
- Running agitator when not spreading can result in material being ground up and possibly packing over control gate opening. You can “over-agitate” material.

LABELS



EXPLODED VIEW & PARTS LIST



REF	DESCRIPTION	QTY
1	Frame	1
2	Bolt, Hex Head M10x20, Zinc	2
3	Washer, Flat, 10mm, Zinc	5
4	Hair Pin	4
5	Rod, Flow Adjustment	1
6	Lever, Adjustment	1
7	Spring, Pressure	1
8	Bolt, Hex Head M10x70, Zinc	1
9	Handle, Rubber, 8x20	1
10	Brace, Left	1
11	Nut, Hex M10, Zinc	14
12	Washer, Lock 10mm, Zinc	10
13	Rod, Selector, RX-LX	1
14	Pin, Connection, ø8*16	1
15	Agitator	1
16	Bolt, Hex Head M8x45, Zinc	1
17	Lock Nut M8	1
18	Washer, Nylon 25mm	1
19	Bolt, Carriage M10x25, Zinc	5
20	Bar, Hopper Reinforcement	1
21	Washer, Flat 10.5mm, Zinc	1
22	Hopper	1
23	Retainer Bushing	1
24	Hopper Support Pan	1
25	Bolt, Carriage M8x25, Zinc	6

REF	DESCRIPTION	QTY
26	Washer, Flat 8mm, Zinc	14
27	Washer, Lock 8mm, Zinc	14
28	Nut, Hex M8, Zinc	15
29	Seed Disc, Upper (2 holes)	1
30	Distribution Disc, Lower (3 holes)	1
31	Bolt, Hex Head M8x16, Zinc	8
32	Vane, Fan	4
33	Roll Pin ø8*40	1
34	Roll Pin ø6*40	1
35	Pin, Adjustment	1
36	Spreading Disc (Spinner)	1
37	Guard	1
38	Block, Fixing	1
39	Indicator	1
40	Screw Wing M6x16	1
41	Bolt, Hex Head M10x30, Zinc	4
42	Gearbox, 3 hole (Complete)	1
43	Bolt, Hex Head M10x110, Zinc	3
44	PTO Assembly (Complete)	1
45	Washer, Flat 32mm, Zinc	1
46	Snap Ring ø38	1
47	Lock Nut M10	1
48	Washer, Special	4
49	Washer, Nylon 10mm	1
50	Brace, Right	1



BRABEREQ.COM
WGSALES@BRABEREQ.COM

PHONE: 604-850-7770
FAX: 604-850-7774
TOLL FREE PHONE: 1-877-588-3311
TOLL FREE FAX: 1-800-665-7334