



# Parts Manual

Mfg. No: 2691524-00  
Legacy XL, 33HP B&S EFI 4WD 540 3-PT  
TRACTOR ONLY



1692125 - Cart, Dump (10 Cu. Ft.) .....  
1692939SM - 50 Lbs. Suitcase Weights. ....  
1693160SM - Rear Wheel Weight, 50 Lbs. ....  
1694542 - Wide Body Cart Collector. ....  
1692941SM - Rear Weight Carrier. ....  
1692562SM - Tire Chains (26" Tires). ....  
1694395 - Hitch, Sub Frame Front Attachments. ....  
1694391 - Hitch, 3-Point. ....  
1694409SM - Carrier, Front Weight. ....  
1694405 - Tiller, 50" (540 RPM). ....  
1694390 - Hitch & Tube Group. ....  
1696071-00 - 540 RPM P.T.O. ....  
1695709 - 60" Rear Scraper Blade. ....  
1696678-00 - Loader, Front End. ....  
1696384YP - Grass Mulcher Kit, 52" Fabricated Mower Deck. ....  
5600898 - Grass Mulcher Kit, 61" Mower Deck. ....  
1694560 - Broom Drive Shaft. ....  
1694388 - Broom, 60" Hydro. ....  
1696422-00 - Snowthrower, Two Stage, 47". ....  
1696366-01 - Turbo, 61" Fabricated Mower Deck. ....  
1694387A-00 - 60" Dozer Blade & Hitch. ....  
1697130-00 - Snow Cab, Soft, Compact ROPS. ....  
1694389A-00 - Catcher, Clean Sweep Triple. ....  
1697158-00 - Backhoe, Legacy. ....  
1696783A-00 - Turbo, 52" Fabricated Mower Deck. ....  
1694545A-00 - Hitch & Tube Group. ....

---

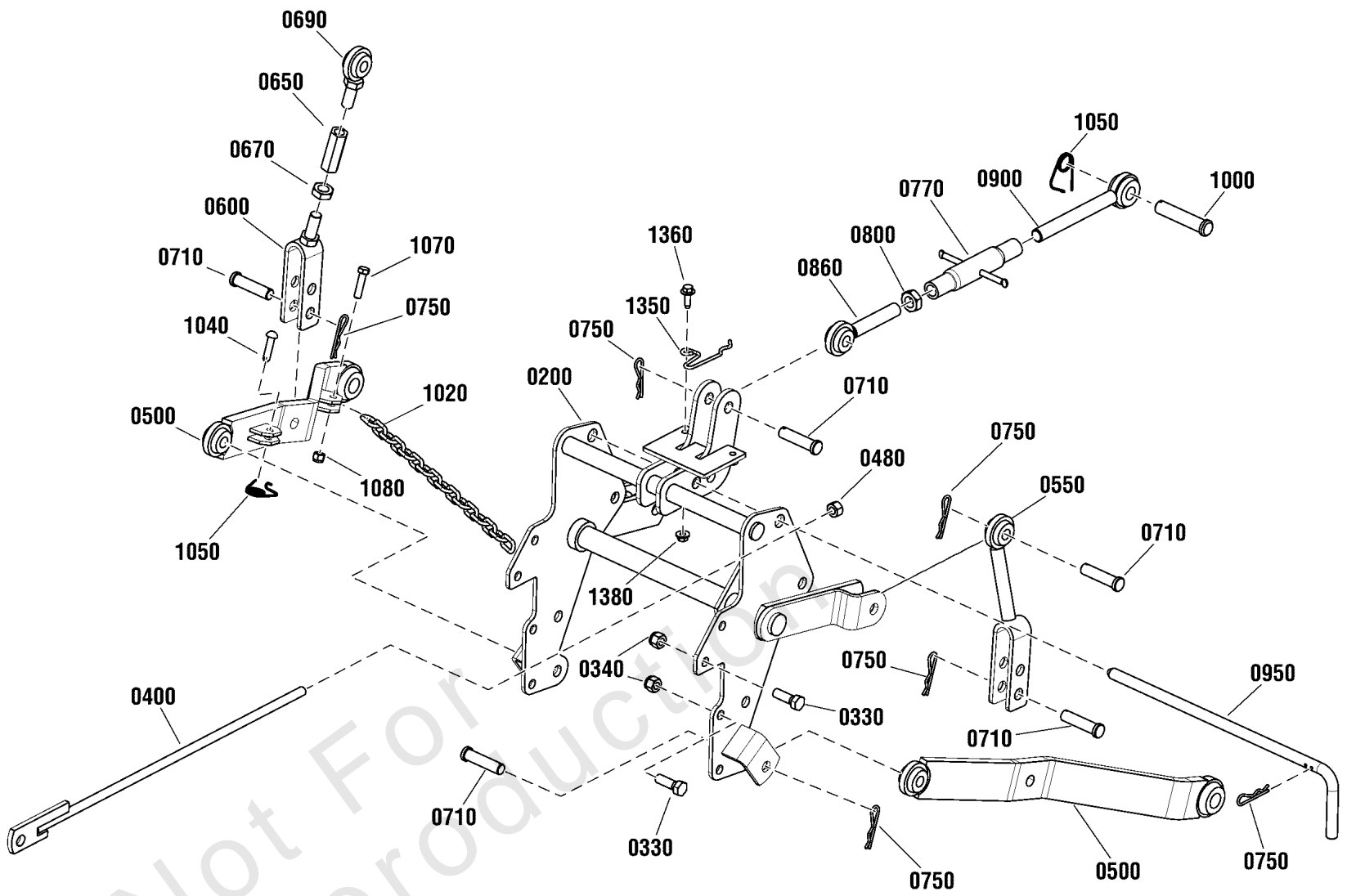
<b>Model Components</b>	<b>Page</b>
3-Point Hitch Group.....	4
Body Group.....	6
Controls Group.....	10
Decals Group.....	16
Electrical Group.....	18
Engine Group.....	20
Frame & Transmission Group.....	24
Hydraulic Group.....	28
Roll-Over Protection System Group.....	32
Steering & Front Axle Group 2WD & 4WD.....	34
Transaxle SERVICE PARTS - Daedong BSFA-25.....	38
Transmission SERVICE PARTS - Tuff Torq K92, 4WD 540.....	42
Wheels & Tires Group.....	52
Torque Specification Chart.....	54

Not For  
Reproduction

# 3-Point Hitch Group

Note: Unless noted otherwise, use the standard torque specifications

Mfg. No: 2691524-00



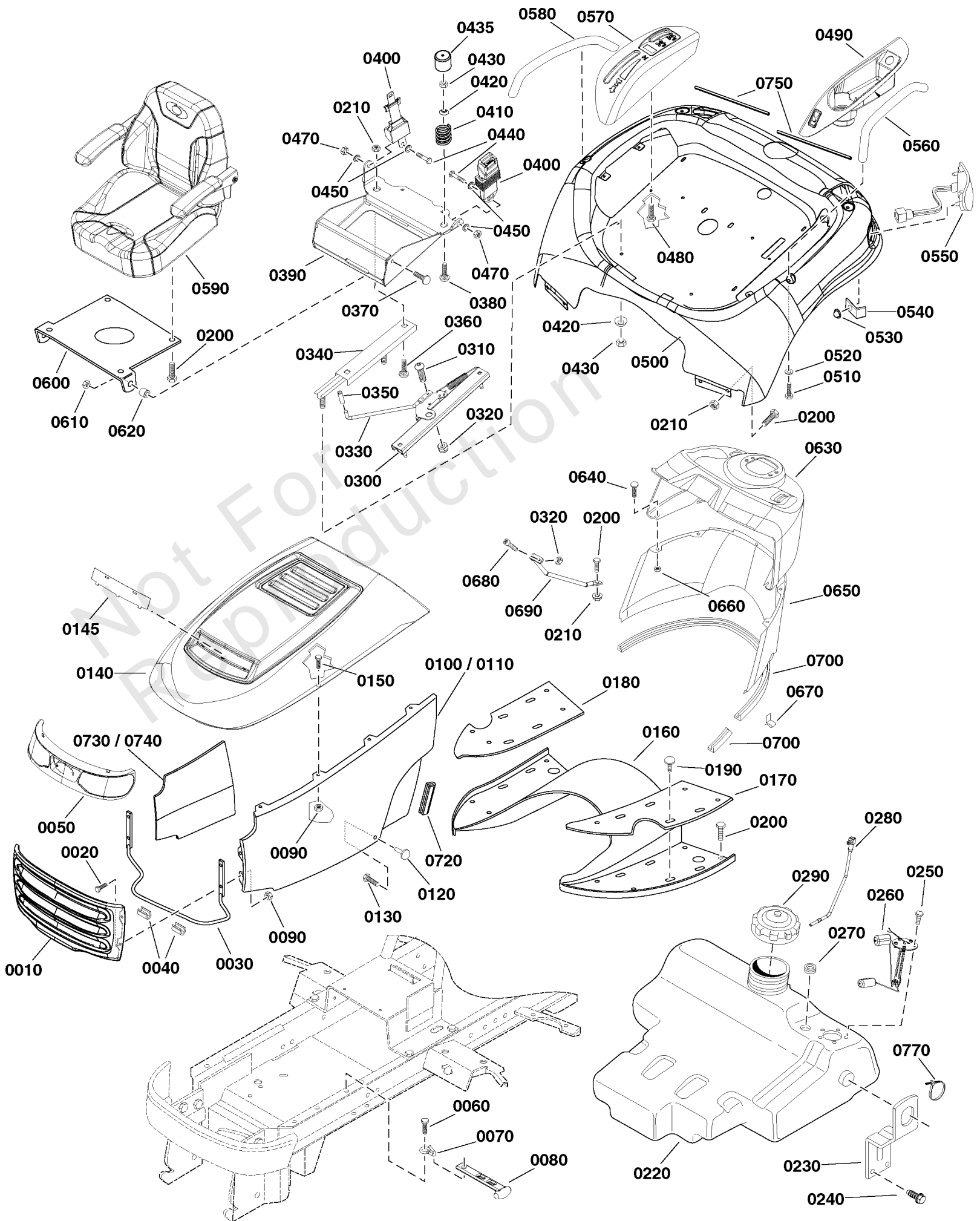
### 3-Point Hitch Group

REF NO	PART NO	QTY	DESCRIPTION
0200	1724758ASM	1	HITCH ASSEMBLY
0330	703571	4	CAPSCREW, Hex Head, 1/2-13 X 1 1/2, GR5
0340	770225	4	NUT, Nylock Flange, 1/2-13
0400	1724763SM	1	ROD ASSEMBLY, Lift
0480	2860743SM	1	NUT, Hex Top Lock, 1/2-13 Yellow
0500	1724769SM	2	LINK & BALL JOINT ASSEMBLY
0550	1724809SM	1	CLEVIS ASSEMBLY, Fixed
0600	1724829AYP	1	CLEVIS ASSEMBLY
0650	1716425SM	1	TURNBUCKLE, 5/8-18 x 2-1/2
0670	703904	1	NUT, Hex Jam, 5/8-18
0690	1716422SM	1	BALL JOINT & STUD ASSEMBLY, RH, Upper
0710	1725049SM	7	PIN, Clevis, 5/8 x 2-1/2
0750	1960033SM	9	CLIP, Hair Pin
0770	1700479SM	1	TUBE & PIN ASSEMBLY, Upper
0800	1960297SM	1	NUT, Jam, 3/4-10
0860	1700419SM	1	STUD & BALL JOINT ASSEMBLY, RH
0900	1725235SM	1	BALL JOINT & STUD ASSEMBLY
0950	1725281SM	1	ROD, Hitch
1000	1725244SM	1	PIN, Clevis, Rear
1020	1700312ASM	2	CHAIN, 16 Link
1040	2156306SM	2	PIN, Round Head, 3/4 x 1-1/2
1050	703852	3	PIN, Retainer, 5/16 x 3/8
1070	703406	2	CAPSCREW, Hex Head, 3/8-16 X 1 1/2, GR5
1080	703117	2	NUT, 3/8-16, Nylock, GR5, Zinc/Clear
1350	1726412SM	2	CLAMP, Upper Link, .162 Diameter, Stainless Black
1360	770697	2	CAPSCREW, Hex Flange Whiz Lock, 5/16-18 x 1
1380	703222	2	NUT, Hex KEPS, 5/16-18

# Body Group

Note: Unless noted otherwise, use the standard torque specifications

Mfg. No: 2691524-00



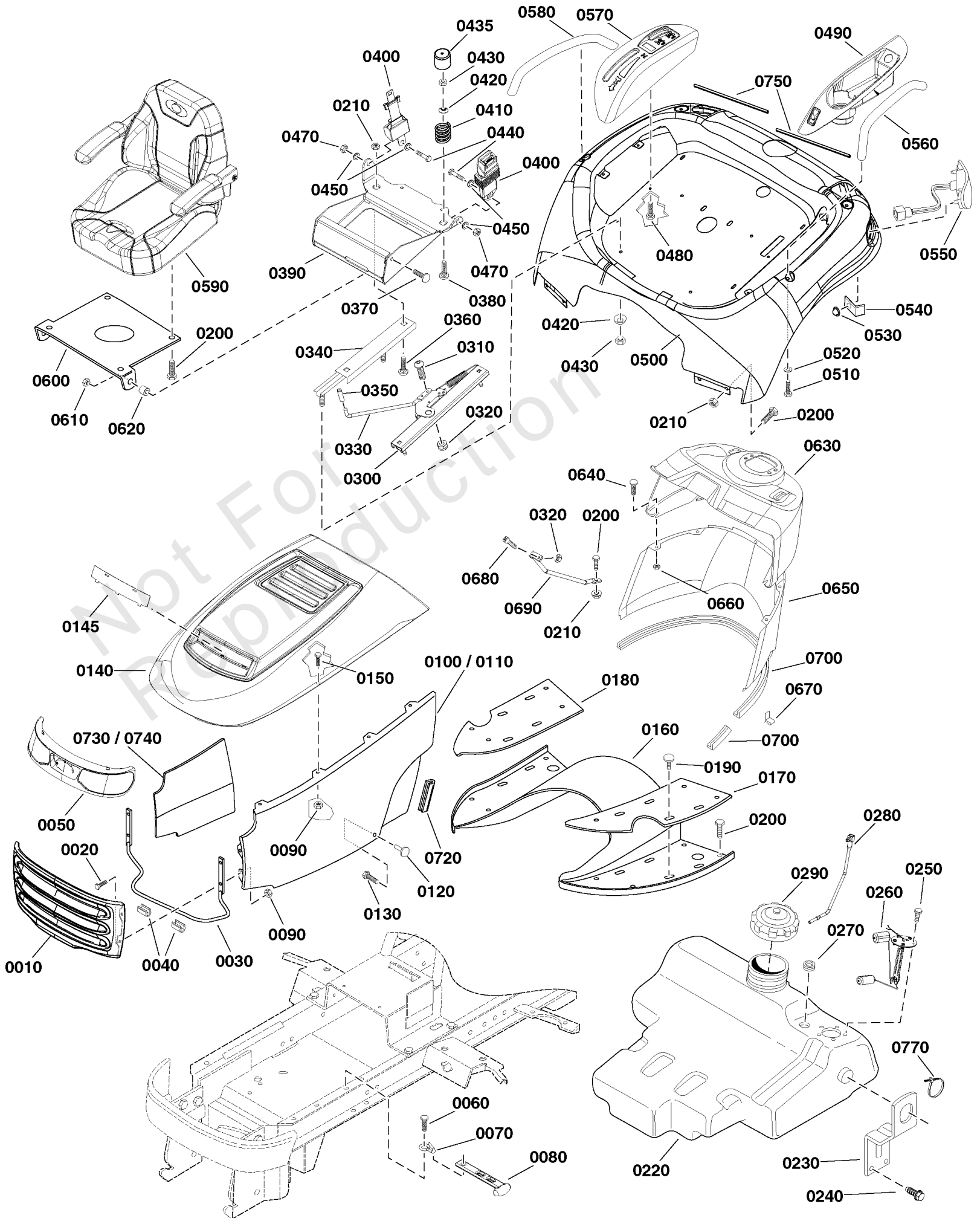
## Body Group

REF NO	PART NO	QTY	DESCRIPTION
0010	1760254CYP	1	GRILL, Legacy XL
0020	1935450SM	4	CAPSCREW, Hex Flange Head, 1/4-20 x 3/4, G5
0030	1718479SM	1	ROD, Hood Hinge
0040	1726454SM	2	CLIP, Hood
0050	1760219YP	1	HEADLIGHT ASSEMBLY
0060	704130	2	SCREW, Hex Head, 1/4-20 X 1/2
0070	1723168SM	2	HOOK-.125DIA WIRE GR CAT STRAP YELLOW
0080	2171600SM	2	STRAP, Hood Rubber
0090	703161	12	NUT, 1/4-20, Hex Flange Whiz Lock
0100	1760298CYP	1	PANEL, Side LH
0110	1760299CYP	1	PANEL, Side RH
0120	1726044SM	2	BINDING, Internal Thread, #8-32 X 1/2
0130	2860707SM	2	SCREW-HEX SERR FLNG LK # 8-32X0.375 YEL
0140	1760246CYP	1	HOOD, Top
0145	1760245CKYP	1	INSERT, Mesh Scoop
0150	1960295SM	8	CAPSCREW, Hex Flange, Whiz Lock, 1/4-20 x 5/8
0160	1724268CSM	1	TUNNEL, Legacy XL
0170	1724579SM	1	PAD, Footrest, L.H.
0180	1724580SM	1	PAD, Footrest, R.H.
0190	1704351SM	19	FASTENER, Panel, 3/4 OD x 11/16
0200	1960667SM	9	CAPSCREW, Hex Flange Whiz Lock Dog Point, 5/16-18 x 1
0210	703222	9	NUT, Hex, KEPS, 5/16-18
0220	1753620YP	1	TANK, Fuel, With Vent Fitting
0230	1716927ASM	2	SUPPORT, Fuel Tank
0240	703228	4	SCREW, Washer Head Taptite, 5/16-18 X 3/4
0250	2860665SM	5	SCREW, Pan Head, Torx, 10-32 x 1/2
0260	1737522YP	1	SENDER, Fuel
0270	1654930SM	1	BUSHING, Fuel Tank
0280	1726917SM	1	TUBE ASSEMBLY, Fuel With Screen
0290	1761224YP	1	CAP, Fuel
0300	1717068SM	1	SLIDER ASSEMBLY, LH, Main -( Incl. Ref. No. 0330 )
0310	5025179X4SM	2	SCREW, #10-24 X 1/2" ROUND PHILLIPS
0320	703412	3	NUT, Nylock, #10-24
0330	1717002SM	1	ROD, Seat Slide -( Included with Ref. No. 0300 )
0340	1717009SM	1	SLIDER ASSEMBLY, RH, Slave
0350	1704723SM	1	GRIP, Black Vinyl
0360	703185	4	BOLT, Carriage, 5/16-18 X 3/4
0370	703815	2	BOLT, Carriage, 3/8-16 X 1
0380	703800	2	BOLT, Carriage, 5/16-18 X 1
0390	84003610	1	SUPPORT, Seat Lower
0400	5105137YP	1	SEAT BELT ASSM, RETRACTOR + SUP SLEEVE
0410	1704728SM	2	SPRING, Compression, 2"
0420	1709256SM	4	WASHER, Spring, 5/16 x 1 1/4
0430	703115	6	NUT, Flange Nylock, 5/16-18
0435	1704724SM	2	COVER, Spring, 1-1/2"
0440	770498	2	CAPSCREW, Sockethead, 1/2-13 X 1 1/4
0450	703128	4	WASHER, 33/64 x .7/8 OD
0470	770225	2	NUT, Flange, Nylock, 1/2-13
0480	770759	10	CAPSCREW, Hex Washer Head, #12-24 x 5/8
0490	1725290SM	1	POD, Legacy XL, L.H.

# Body Group

Note: Unless noted otherwise, use the standard torque specifications

Mfg. No: 2691524-00





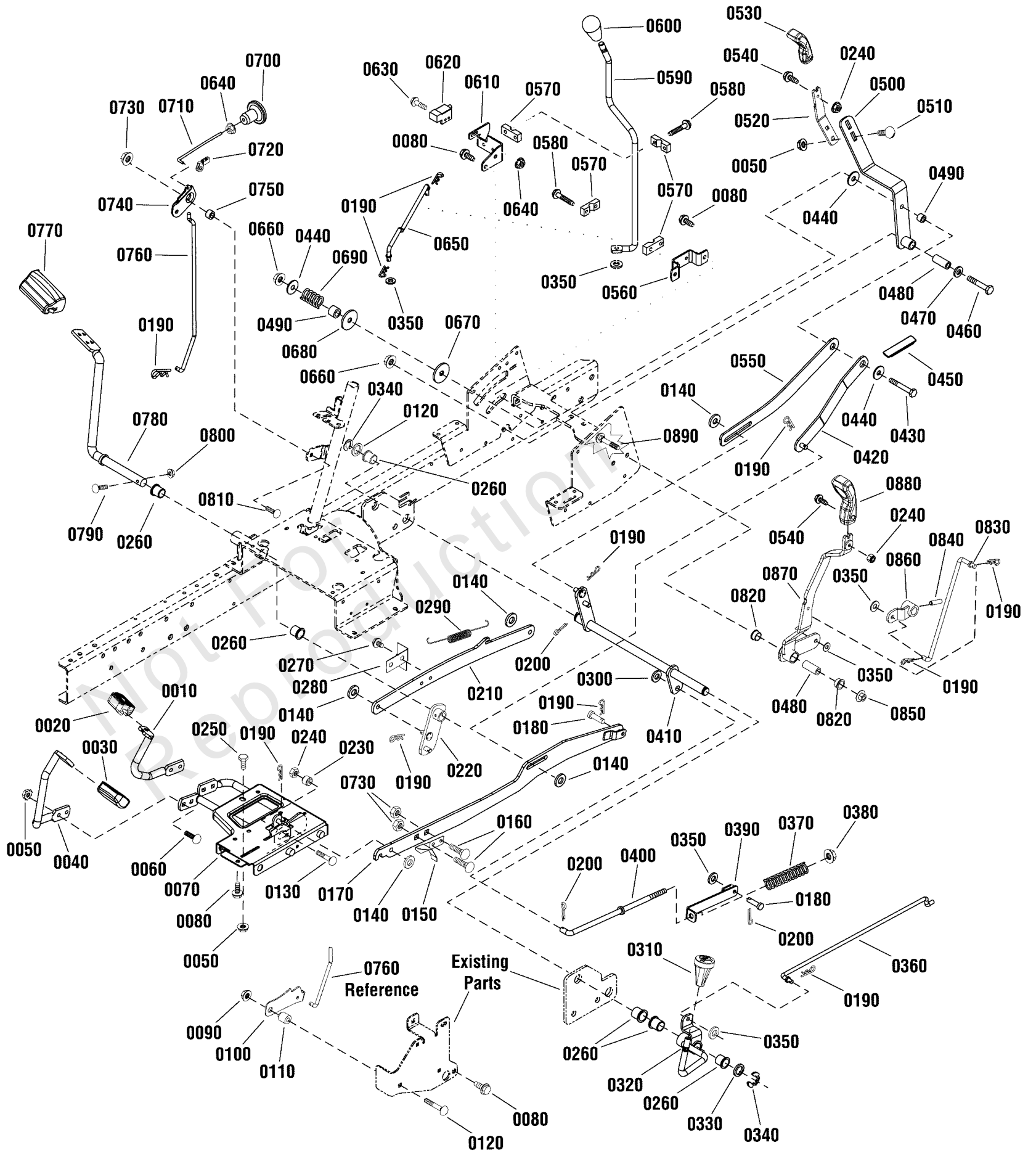
## Body Group

REF NO	PART NO	QTY	DESCRIPTION
0500	84003583	1	DECK, Seat
0510	703822	4	CAPSCREW, Hex Head, 5/16 - 18 x 5/8, G5
0520	1960044SM	4	WASHER, Flat, 5/16
0530	703297	4	RETAINER, 5/16 X 5/8
0540	1718048SM	4	CLIP, "L"
0550	1715915SM	2	TAIL LIGHT, Assembly (Includes Bulb)
0560	1716335SM	1	HANDLE, Grab, L.H., Black
0570	1726823SM	1	POD-BLACK PLASTIC CRU
0580	1716336SM	1	HANDLE, Grab, RH, Black
0590	1759792YP	1	SEAT
0600	1759978CKYP	1	PAN, Seat
0610	703158	2	NUT, Hex Flange, 3/8-16
0620	1663752SM	2	SPACER, 25/64 x 5/8 x 3/16
0630	1724171SM	1	DASH, Upper, Black, Gas
0640	1960252SM	4	BOLT, Carriage, 1/4-20 x 5/8
0650	1725031ASM	1	DASH, Lower, Black, Gas
0660	703061	4	NUT, 1/4-20, Keps, Conical Washer
0670	1717523SM	2	CLIP, "U"
0680	1960392SM	1	SCREW, Pan Head Phillips, #10-24 x 1
0690	1724869SM	1	ROD, Dash Support
0700	1725680SM	1	EDGING
0720	1726482SM	2	EDGING, Side Panel
0730	1727053SM	1	INSULATION-FOAM 0.50 THK 12.62 X 15.37LH
0740	1727054SM	1	INSULATION-FOAM 0.50 THK 12.62 X 15.37RH
0750	84003612	2	EDGING
0770	703586	1	TIE, Cable

# Controls Group

Note: Unless noted otherwise, use the standard torque specifications

Mfg. No: 2691524-00



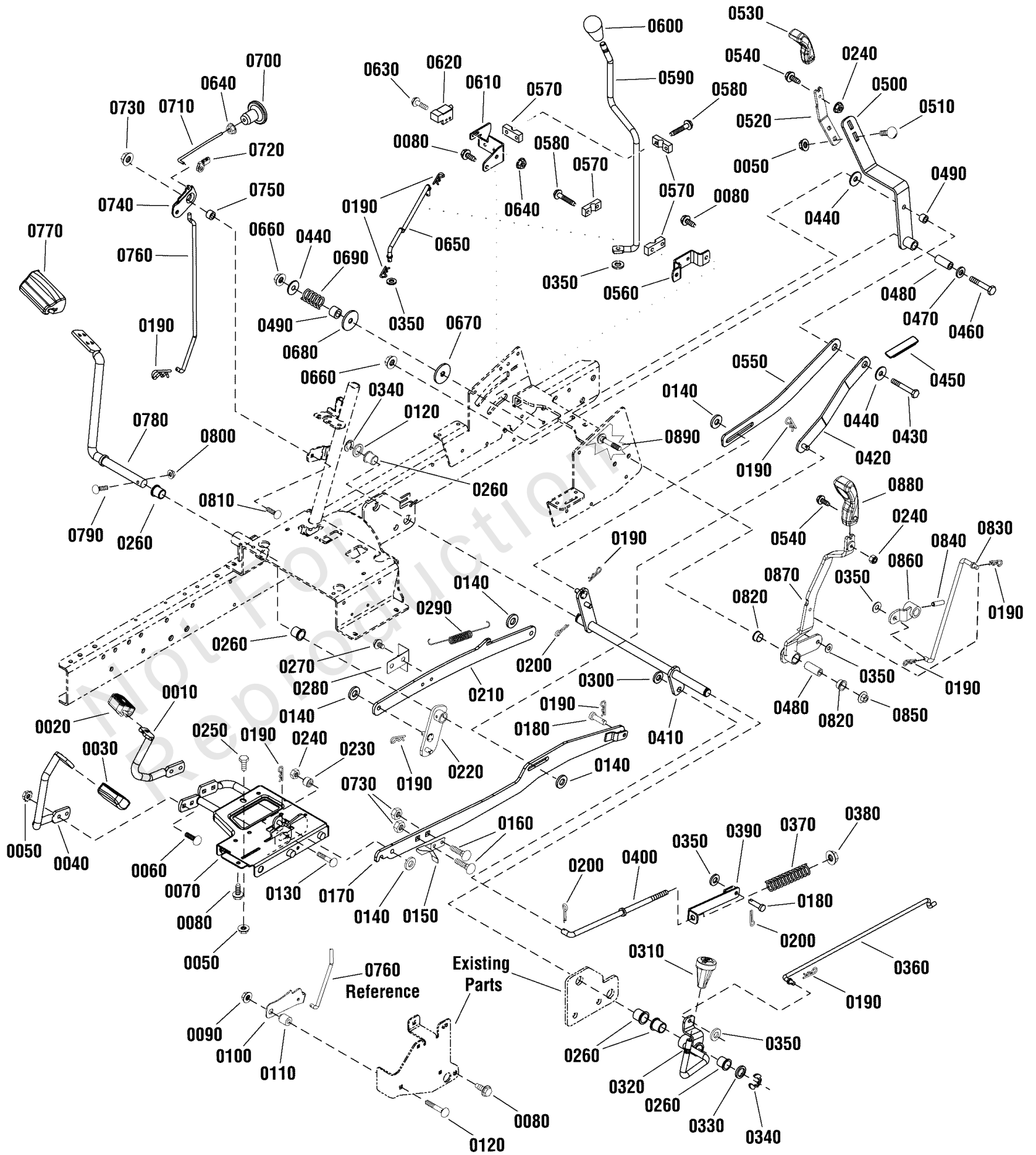
## Controls Group

REF NO	PART NO	QTY	DESCRIPTION
0010	1722071ASM	1	PEDAL, Reverse
0020	1721674SM	1	PAD, Foot Pedal, Reverse
0030	1721675SM	1	PAD, Foot Pedal, Forward
0040	1724266ASM	1	PEDAL, Foot, Forward
0050	1960684SM	7	NUT, Hex Keps, 5/16-18
0060	1931334SM	4	BOLT, Carriage, Short Neck, 5/16-18 x 7/8, GR 5
0070	1726766SM	1	CONTROL ASSEMBLY, Foot Pedals
0080	703228	2	SCREW, Washer Head Taptite, 5/16-18 X 3/4 -(Qty 6 with 4WD model)
0090	1960686SM	6	NUT, Hex Flange Nylock, 5/16-18
0100	1725275SM	1	ARM, Brake Lock
0110	1702552SM	1	SPACER, 21/64 ID x 3/4 OD x 53/64, Powdered Metal
0120	1931337SM	1	BOLT, Carriage, 5/16-18 x 1-1/2, G5
0130	1931320SM	1	BOLT, Carriage, Short Neck, 1/4-20 x 1-1/4, G5
0140	1922755SM	1	WASHER, Flat, 13/32
0150	1727215ASM	1	ACTUATOR, Switch 20GA
0160	1960252SM	5	BOLT, Carriage, 1/4-20 x 5/8
0170	1726765ASM	1	ARM ASSEMBLY, Control
0180	1725011SM	2	PIN, Clevis
0190	1722460SM	7	PIN, Hair -(Qty 9 with 4WD, 11 with 540 PTO)
0200	1918447SM	2	PIN, Cotter, 15/16 x 3/4
0210	1724846ASM	9	LINK, Brake
0220	1724679ASM	3	ARM ASSEMBLY, Brake
0230	1732564SM	1	SPACER, 1/4 x 5/8 x 1/2
0240	703232	2	NUT, Hex Lock, 1/4-20, ESNA -(Qty 3 with 540 PTO model)
0250	1921332SM	1	SCREW, Hex Head Cap, 5/16-18 X 3/4, GR5
0260	2176440SM	2	BUSHING
0270	1924856SM	1	SCREW, Hex Washer Head, Taptite, 5/16-18 x 1/2
0280	1724844SM	6	ACTUATOR, Switch 20 GA
0290	1721995SM	2	SPRING, Extension, 5/8 x 6-5/8
0300	1925125SM	1	WASHER, 15/32 I.D. x 15/16 O.D. x 7/64 Thk.
0310	1716289SM	1	KNOB, Hole, 1/2 x 1-3/4, 2-11/16
0320	1724859SM	1	PEDAL ASSEMBLY, Diff Lock
0330	1960114SM	1	WASHER, 3/4 x 1
0340	1611710SM	1	RING, Klipring, For 3/4 Dia. Shaft
0350	1919326SM	2	WASHER, 5/16 -(Qty 4 with 4WD, 6 with 540 PTO)
0360	1724858SM	2	ROD, Diff Lock, 20.7 LG
0370	1725278SM	4	SPRING, Complete
0380	1960692SM	1	NUT, Hex, Toplock Flange 7/16-20
0390	1724783ASM	1	LINK & BRACE ASSEMBLY, Brake
0400	1724200SM	1	ROD
0410	1724672SM	1	SHAFT ASSEMBLY, Brake
0420	1724913SM	1	LINK & PIN ASSEMBLY, Cruise
0430	1921973SM	1	CAPSCREW, Hex Head, 3/8-16 x 2-3/4, G5
0440	1922611SM	1	WASHER, 3/8
0450	1725299SM	1	COVER, Black Rubber, .98 x 3.88 -(2WD & 4WD models only)
0460	1922130SM	1	CAPSCREW, Hex Head, 3/8-16 x 2-1/4, G5
0470	703878	1	WASHER, Flat, 13/32 x 7/8 x .083
0480	1669105SM	1	SPACER, 25/64 x 5/8 x 1-1/2, Hardened -(Qty 2 with 540 PTO model)

# Controls Group

Note: Unless noted otherwise, use the standard torque specifications

Mfg. No: 2691524-00



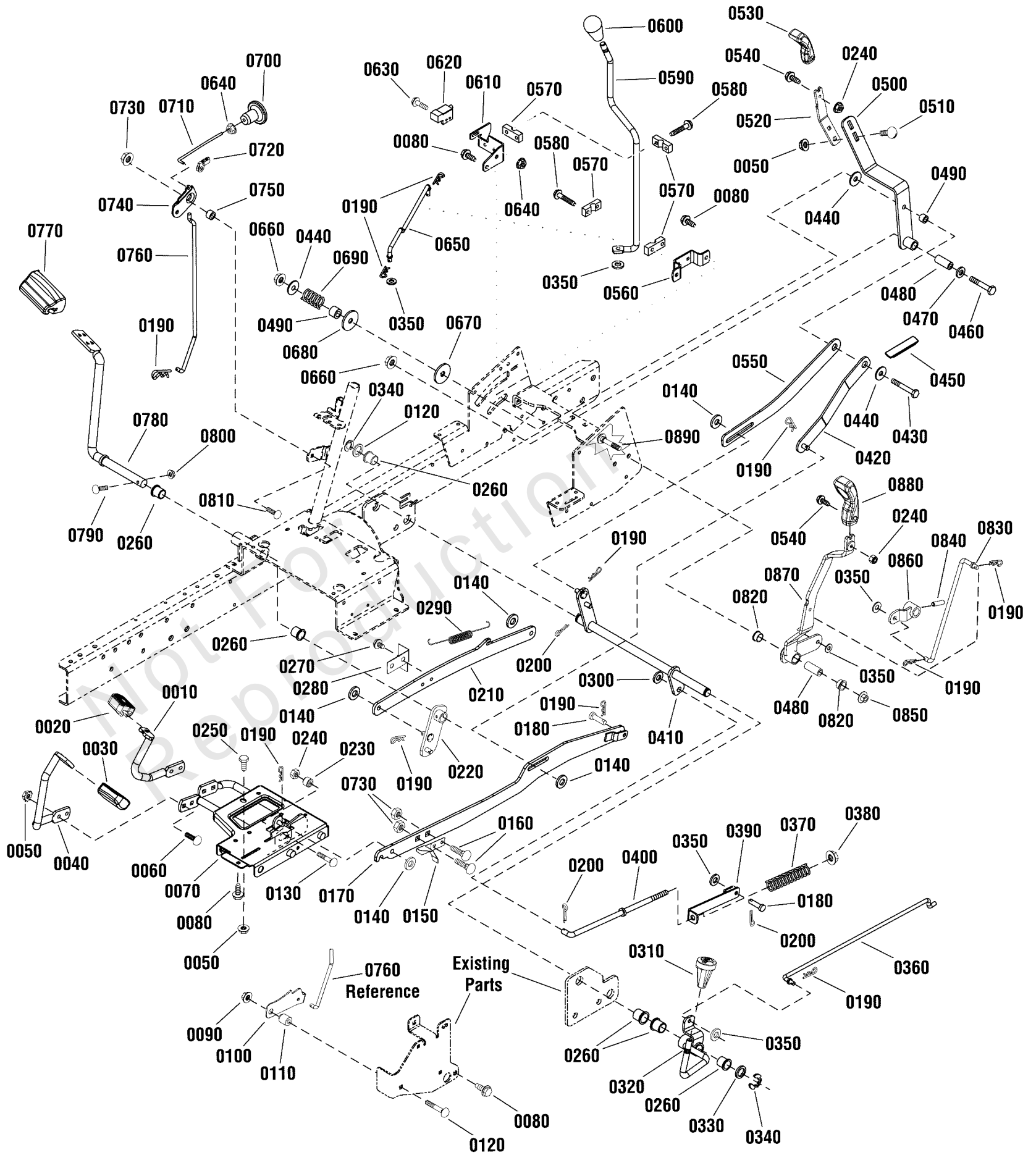
## Controls Group

REF NO	PART NO	QTY	DESCRIPTION
0490	1713791SM	2	SPACER, 7/16 LG Powdered Metal
0500	1724669ASM	1	LEVER ASSEMBLY, Cruise
0510	1931335SM	2	BOLT, Carriage, Short Neck, 5/16-18 x 1
0520	1759672CKYP	1	HANDLE, Cruise
0530	1722303SM	1	HANDLE, Cruise 3/8 x 7/8 Slot
0540	1960666SM	1	SCREW, Torque Head Plus Socket Head, 1/4-20 x 7/8 -(Qty 2 with 540 PTO model)
0550	1724686ASM	1	ARM, Cruise Return
0560	1716994ASM	1	BRACKET, Mounting, 4.63 LG -(4WD & 540 PTO models only)
0570	1674631SM	4	BEARING HALF, Outer Nylon -(4WD & 540 PTO models only)
0580	1930600SM	4	CAPSCREW, Hex Washer Head, Taptite, 5/16-18 x 1-1/2 -(4WD & 540 PTO models only)
0590	1724902SM	1	ROD, Shift 2 Speed, 19-1/4 LG -(4WD & 540 PTO models only)
0600	1713843SM	1	KNOB, Soft (Mfg. Nos. 1692440, 1692442, 1692446, 1692448, 1692502) -(4WD & 540 PTO models only)
0610	1724866ASM	1	BRACKET, 2 Speed Pivot -(4WD & 540 PTO models only)
0620	1717050SM	1	SWITCH, Push Button, N.O . N.C, Double Pole, Grey -(4WD & 540 PTO models only)
0630	1933737SM	2	SCREW, Hew Washer Head Slot, #10-24 x 5/8 -(4WD & 540 PTO models only)
0640	1960591SM	1	NUT, KEPS Lock, #10-24 -(Qty 3 with 4wd model)
0650	1724850SM	1	ROD, 4WD Shift, 10.74 LG -(4WD & 540 PTO models only)
0660	1960687SM	2	NUT, Hex Flange Nylock, ESNA, 3/8-16
0670	1726443SM	1	DISC, Friction
0680	1924356SM	1	WASHER, 7/16 ID x 1-1/2 OD
0690	1677746SM	1	SPRING, Compression (Later models only)
0700	1725277SM	1	KNOB, Park Brake, Red, Used on Turf Cruiser Models 85632 & 85668
0710	1717004SM	1	ROD, 10-24 x 31/50, 3.91 LG
0720	1725550SM	1	CLIP, Rod End Clevis LH (for .188 Dia. Rod)
0730	1960685SM	3	NUT, Hex, KEPS, Conical, 1/4-20
0740	1717006SM	1	BRACKET, Parking Brake Pivot, BLACK ROCKY
0750	1960234SM	1	SPACER, .281 x 1/2 x .32 LG
0760	1725276SM	1	ROD, 4 Bends, 13.63 LG
0770	1721577SM	1	PAD, Forward Pedal
0780	1724676SM	1	ROD, Brake Pedal
0790	1751342YP	1	BOLT, Shoulder, 10-24 x 1
0800	703412	1	NUT, Nylock, #10-24
0810	1931317SM	1	BOLT, Carriage, Short Neck, 1/4-20 x 3/4, G5
0820	1676148SM	2	BUSHING -(540 PTO Models only)
0830	1724229SM	1	ROD, Control, 9.23 LG -(540 PTO Models only)
0840	1725010SM	1	PIN, Spring -(540 PTO Models only)
0850	1960680SM	1	NUT, Hex, KEPS, Conical Washer, 3/8-16 -(540 PTO Models only)
0860	1724216AYP	1	ARM & HUB ASSEMBLY -(540 PTO Models only)
0870	1724225ASM	1	HANDLE ASSEMBLY, Control -(540 PTO Models only)

# Controls Group

Note: Unless noted otherwise, use the standard torque specifications

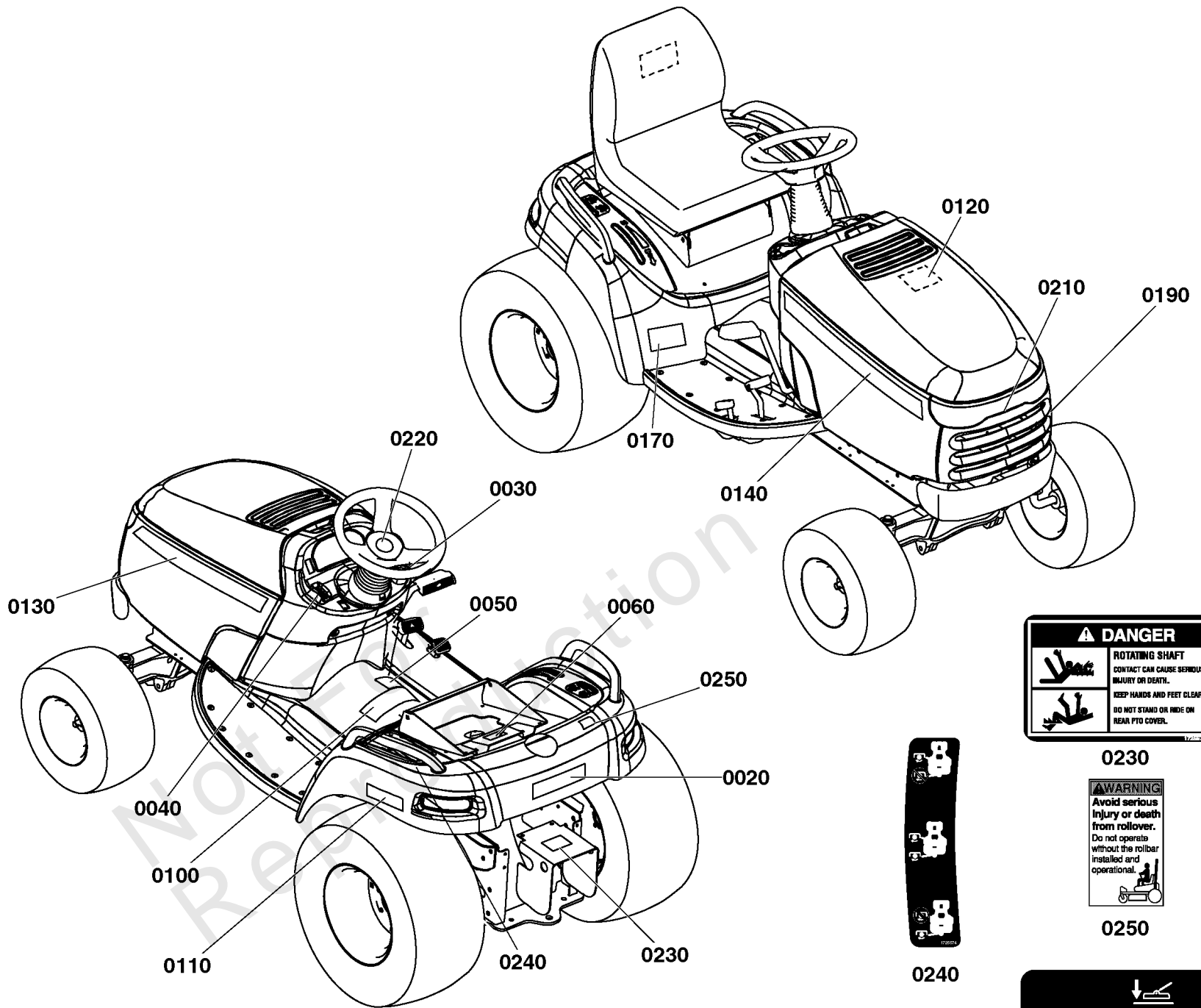
Mfg. No: 2691524-00



## Controls Group

REF NO	PART NO	QTY	DESCRIPTION
0880	1726043SM	1	HANDLE, 540 PTO 3/8 x 7/8 Slot -(540 PTO Models only)
0890	1960615SM	1	BOLT, Carriage, 3/8-16 X 2 1/2 -(540 PTO Models only)

Not For Reproduction



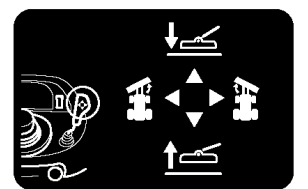
0230



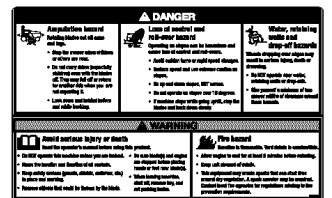
0250



0240



0050



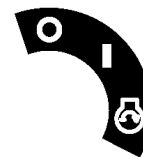
0100

**Simplicity**

0020

**Simplicity**

0130 / 0140



0030



0040

**LEGACY XL**

0170

**4x4**

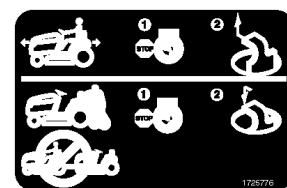
0190



0210

**AUTOMATIC CONTROLLED TRACTION™**

0110



0060

**EFI ELECTRONIC FUEL INJECTION**

0180

Belts & Blades	
52" Fab Mower Deck Drive Belt	1760305YP
Mower Blade	1756152AYP
61" Fab Mower Deck Drive Belt	5103306YP
Mower Blade	5101755YP
Touch-Up Paint	
13 Oz. Spray Can Paint	
Deep Orange	1685611
Red	1686772
Textured Black	1687192

0120



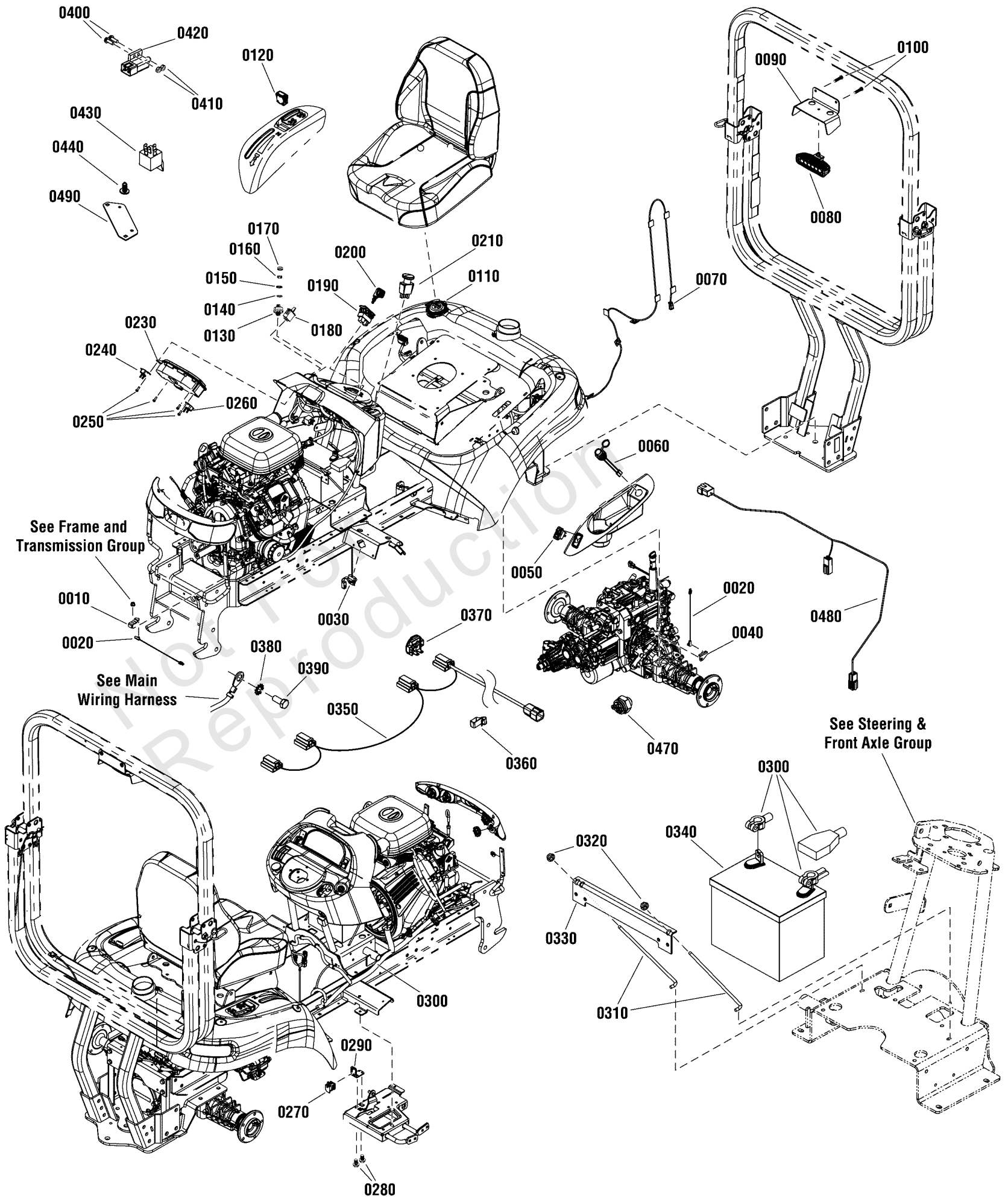
## Decals Group

REF NO	PART NO	QTY	DESCRIPTION
0020	1757673YP	1	DECAL, Logo, 10.47"
0030	1722806SM	1	DECAL, Ignition Switch
0040	1725571SM	1	DECAL, Throttle Speed
0050	1725603SM	1	DECAL, Hydraulic Lift
0060	1725776SM	1	DECAL, Transmission Release Valve
0100	1755389YP	1	DECAL, Tunnel Warnings
0110	1755846YP	1	DECAL, Automatic Controlled Traction
0120	1760325YP	1	DECAL, Service Parts
0130	1760326YP	1	DECAL, Badge, LH, Simplicity
0140	1760327YP	1	DECAL, Badge, RH, Simplicity
0170	1760329YP	1	DECAL, Legacy XL
0180	1760300YP	2	DECAL, EFI, Legacy -(4wd & 540 PTO models only)
0190	1760504YP	1	DECAL, 4x4, Legacy -(4wd & 540 PTO models only)
0210	1755798YP	1	BADGE, 3D Simplicity Logo
0220	1760536YP	1	DECAL, Steering Wheel, Legacy
0230	1725575SM	1	DECAL, Rotating Shaft -(540 PTO model only)
0240	1725574SM	1	DECAL, 540 PTO Control -(540 PTO model only)
0250	84003656	1	DECAL, Warning, Safety

# Electrical Group

Note: Unless noted otherwise, use the standard torque specifications

Mfg. No: 2691524-00



## Electrical Group

REF NO	PART NO	QTY	DESCRIPTION
0010	1760247CJYP	1	BRACKET, Thermistor Mount
0020	796913	2	THERMOSTAT ASSEMBLY
0030	1760328YP	1	HARNESS, Height of Cut and Chute
0040	1760221CJYP	1	BRACKET, Thermistor Mount
0050	1725212SM	1	SWITCH, Rocker Solenoid, Select
0060	1725302SM	1	OUTLET, 12 Volt
0070	1760422YP	1	HARNESS, Work Light
0080	5104611YP	1	HEADLIGHT, w/Hardware
0090	1760432CJYP	1	BRACKET, Light Mount
0100	1960086SM	2	SCREW, Truss Head Torque Drive, 5/16-18 x 7/8
0110	1718981SM	1	SWITCH, Seat
0120	1760429YP	1	SWITCH, Headlight, 3 Positions
0130	1737853YP	1	SWITCH ASSEMBLY, Ignition 5/8-32, 6 Pin INDAK
0140	2101025SM	1	WASHER, Plain, 5/8" ID x 1" OD x 1/64"
0150	7090880YP	1	LOCKWASHER, Internal Tooth, 5/8"
0160	1717549SM	1	NUT, Hex Flange, 5/8
0170	1717550SM	1	COVER, Key Switch
0180	1738381YP	1	SWITCH, Height Of Cut
0190	1726556SM	1	SWITCH, RMO Module Only
0200	1726557SM	2	KEY, RMO Module, Plastic
0210	1722887SM	1	SWITCH, PTO, Push/Pull
0220	703586	1	TIE, Self Locking
0230	1760816YP	1	DISPLAY, Instrument
0240	1725534SM	1	BREAKER, Circuit 12VOLT 10AMP
0250	1960578SM	4	CAPSCREW, #12-24 x 5/16
0260	1665238SM	1	BREAKER, Circuit, 12 Volt 20 Amps
0270	1732004SM	1	SWITCH, Seat, Operator Present
0280	703583	2	SCREW, Taptite, 1/4 - 20 x 3/8
0290	1726810CJYP	1	BRACKET, Switch Mounting
0300	1760036YP	1	HARNESS, Legacy, Vehicle
0310	1725070SM	2	ROD
0320	703061	2	NUT, Hex Flange, 1/4-20, ESNA
0330	1718596ASM	1	BRACKET, Battery
0340	-----	1	BATTERY, 12 Volt, 6 Cell, 500 Amps
0350	1760274YP	1	HARNESS, Legacy, Headlight
0360	2172434SM	1	CLIP, Wire
0370	1760239YP	4	LED HEADLIGHT AND SOCKET ASSEMBLY
0380	703336	1	CAPSCREW, Hex Head, 5/16-24 x 3/4, G5
0390	703138	1	WASHER, External Lock, 5/16
0400	1933737SM	4	CAPSCREW, #10-24 x 5/8
0410	1960591SM	4	NUT, KEPS Lock, #10-24
0420	1717050SM	2	SWITCH, Cruise Control
0430	1726829SM	1	RELAY, Single Pole, Double Throw
0470	1654634SM	2	SWITCH, Interlock -(4wd model only)
0440	1704351SM	1	FASTENER, Panel
0480	1724963SM	1	HARNESS, PTO Lights -(4wd model only)
0490	1760829CJYP	1	BRACKET, Harness & Relay Mount

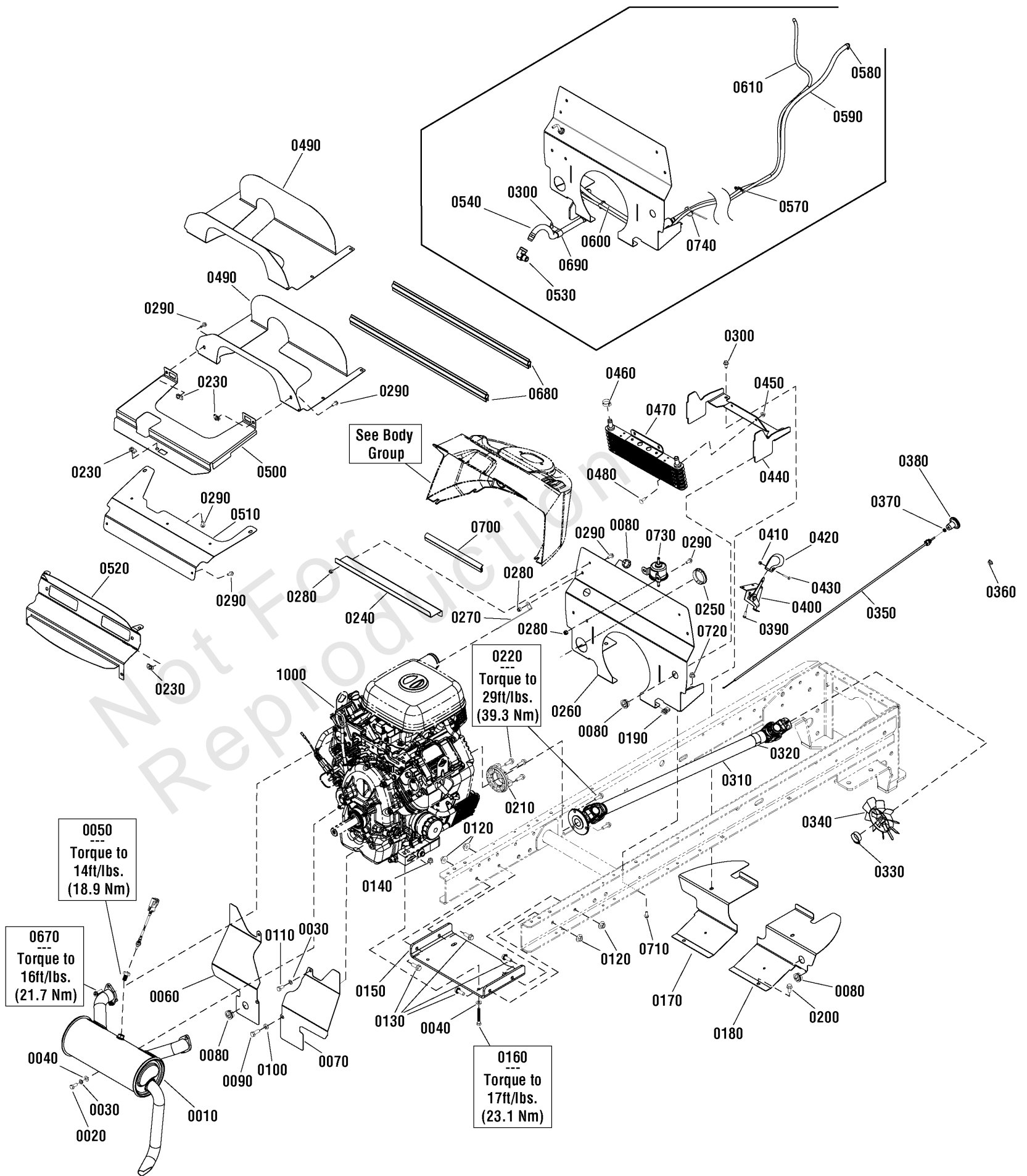
### Footnotes:

Note:\* Not a servicable part.

# Engine Group

Note: Unless noted otherwise, use the standard torque specifications

Mfg. No: 2691524-00



## Engine Group

REF NO	PART NO	QTY	DESCRIPTION
0010	1759631YP	1	MUFFLER, Engine, M54
0020	1921515SM	2	CAPSCREW, Hex Head, 5/16-24 x 3/4
0030	703116	4	LOCKWASHER, Split, 5/16
0040	703350	6	WASHER, 5/16
0050	705876	1	NUT, Speed, 1/4-20 -(Carbureted Engine Only)
0060	1760088CJYP	1	SHIELD, Engine, RH
0070	1760091CJYP	1	SHIELD, Engine, LH
0080	1760249YP	4	GROMMET, Plastic, 0.75"
0090	703407	2	CAPSCREW, 3/8-16 x 1
0100	706162	2	LOCKWASTER, SPLIT, 3/8
0110	703987	2	CAPSCREW, Hex Head, M8-1.25X16
0120	1960680SM	4	NUT, Hex, KEPS, Conical Washer, 3/8-16
0130	704038	4	SCREW, Hex Flange, 3/8-16 X 1
0140	703115	4	NUT, Flange Nylock, 5/16-18
0150	1759506CJYP	1	PLATE, Engine Mount, M54
0160	703177	4	CAPSCREW, Hex Head, 5/16-18 X 2 1/4, GR5
0170	1759589CJYP	1	SHIELD, Heat Intake, RH
0180	1759588CJYP	1	SHIELD, Heat Intake, LH
0190	1935255SM	2	NUT, Speed, Lug Type, 5/16-18
0200	703354	2	SCREW, Flange, Whiz-Lock, 5/16-18 X 3/4
0210	1759609YP	1	ADAPTER, Engine
0220	770533	6	SCREW, SHCS, M8-1.25x25
0230	705876	3	NUT, Speed, 1/4-20 -(Qty. 3 in EFI Engine Model, Qty. 2 in Carbureted Engine Model)
0240	1760741CJYP	1	SHIELD, Lower Air Cleaner -(Carbureted Engine Only)
0250	1760251YP	1	GROMMET, Plastic, 1.63" ID
0260	1759505CJYP	1	FIREWALL, Engine, M54
0270	1759948CJYP	2	BRACE, Firewall
0280	15X116MA	6	NUT, Nylock 1/4-20
0290	1960295SM	11	SCREW, Flange Whiz, 1/4-20 x 5/8 -(Qty. 11 in EFI Engine Model, Qty. 8 in Carbureted Engine Model)
0300	1960541SM	3	CAPSCREW, Hex Head Taptite, 5/16-18 x 3/4
0310	1759508YP	1	DRIVESHAFT, Engine, M54
0320	1726600SM	1	TAPE, Double Sided Foam 7/8 x 4-3/4
0330	1725746SM	1	CLAMP, Hose, Worm
0340	1725661SM	1	FAN
0350	1716328SM	1	CONTROL, Choke -(Carbureted Engine Only)
0360	1718611SM	1	PLUG -(EFI Engine Only)
0370	1960591SM	1	NUT, KEPS Lock, #10-24 -(Carbureted Engine Only)
0380	1716247SM	1	KNOB, Choke -(Carbureted Engine Only)
0390	1960578SM	2	CAPSCREW, #12-24 x 5/16
0400	1731907SM	1	CONTROL, Throttle
0410	15X146MA	1	NUT, Nylock, 10 x 24
0420	1725337SM	1	KNOB, Slot
0430	1960393SM	1	SCREW, Phillips, Pan Head, #10-24 x 1

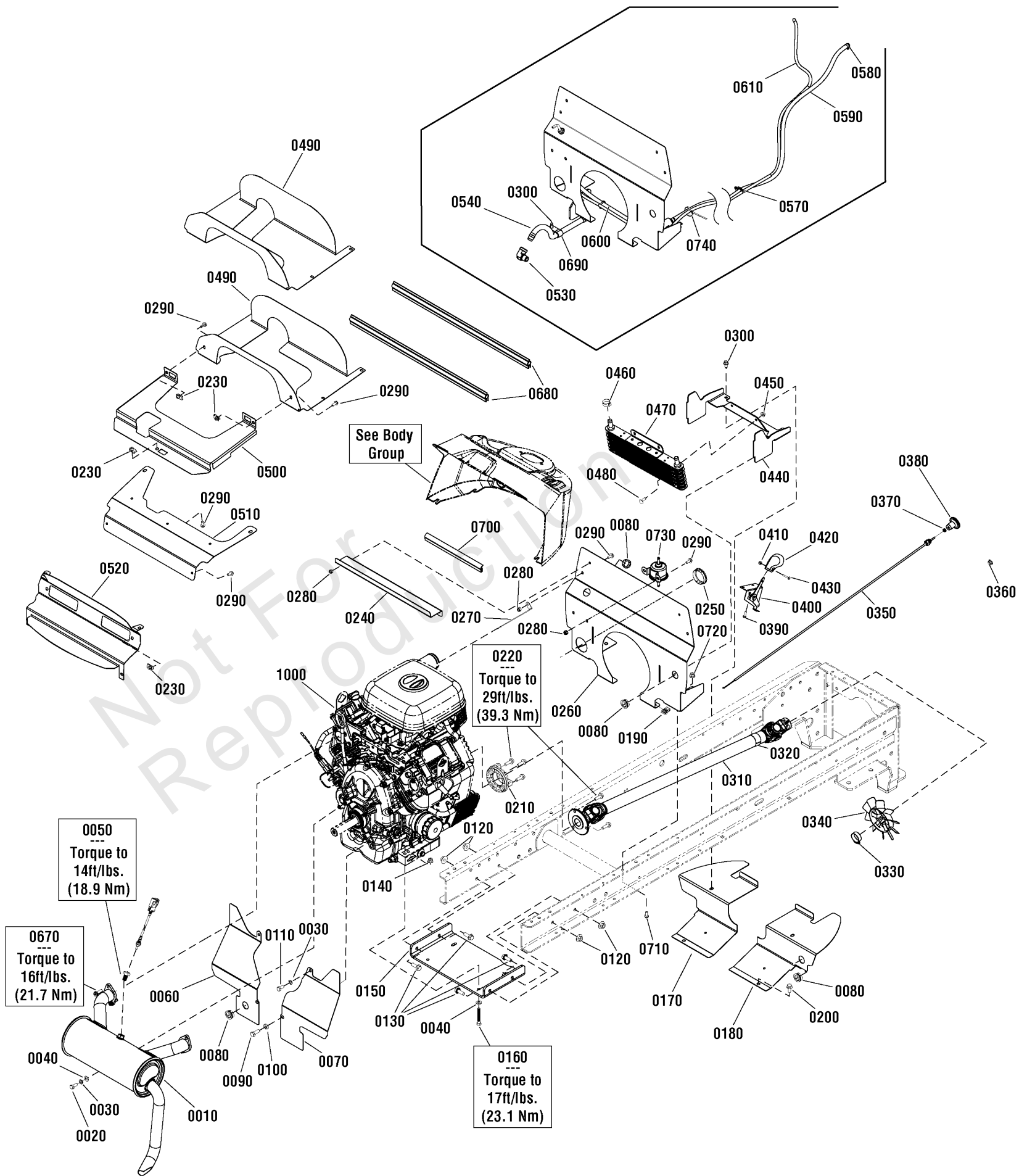
### Footnotes:

Note:\* See your local Briggs & Stratton distributor for parts and service.

# Engine Group

Note: Unless noted otherwise, use the standard torque specifications

Mfg. No: 2691524-00



## Engine Group

REF NO	PART NO	QTY	DESCRIPTION
0440	1759587CJYP	1	BRACKET, Cooler Mounting
0450	703061	2	NUT, KEPS, 1/4-20
0460	770594	2	CLAMP, Hose
0470	1725559SM	1	COOLER ASSEMBLY, Oil
0480	703575	2	BOLT, 1/4-20 x 3/4
0490	1760103CJYP	1	SHIELD, Air Cleaner -(Carbureted Engine Only)
0490	1760248CJYP	1	SHIELD, Air Cleaner -(EFI Engine Only)
0500	1760102CJYP	1	SHIELD, Upper Heat -(EFI Engine Only)
0510	1760101CJYP	1	SHIELD, Upper Engine Heat
0520	1760098CJYP	1	SHIELD, Headlight Heat
0530	1760220YP	1	FITTING, 90 DEG 3/8
0540	1723165SM	1	HOSE, Oil Drain
0570	770536	4	WIRE TIE, Rosebud
0580	791850	4	CLAMP, Hose
0590	1734993SM	1	HOSE, Fuel, 55"
0600	791745	1	LINE, Fuel
0610	7700552X91YP	1	HOSE, VAPOR, 91"
0670	809743	4	SCREW, Hex Flange
0680	311692GS	2	SEAL
0690	770535	1	CLAMP, Cushion, 5/8
0700	1760742YP	1	SEAL, Rubber Flap -(Carburetor Engine Only)
0710	703237	2	CAPSCREW, Hex Head, 3/8-16 x 3/4, G5
0720	703158	2	NUT, Hex Flange, 3/8-16
0730	846824	1	FUEL PUMP
0740	1701011SM	1	TIE, Self Locking
1000	543477-0016-J1	1	* ENGINE, 31 HP, B&S, Vanguard, 885cc -(Engine Model: 543477-0016-J1)
1000	54E177-0001-J1	1	* ENGINE, 33 HP, B&S, Vanguard, 885cc -(Engine Model: 54E177-0001-J1)
1000	54E177-0003-J1	1	* ENGINE, 33 HP, B&S, Vanguard, 896cc -(Engine Model: 54E177-0003-J1)
1000	54E177-0008-J1	1	* ENGINE, 33 HP, B&S, Vanguard, 896cc -(Engine Model: 54E177-0008-J1)

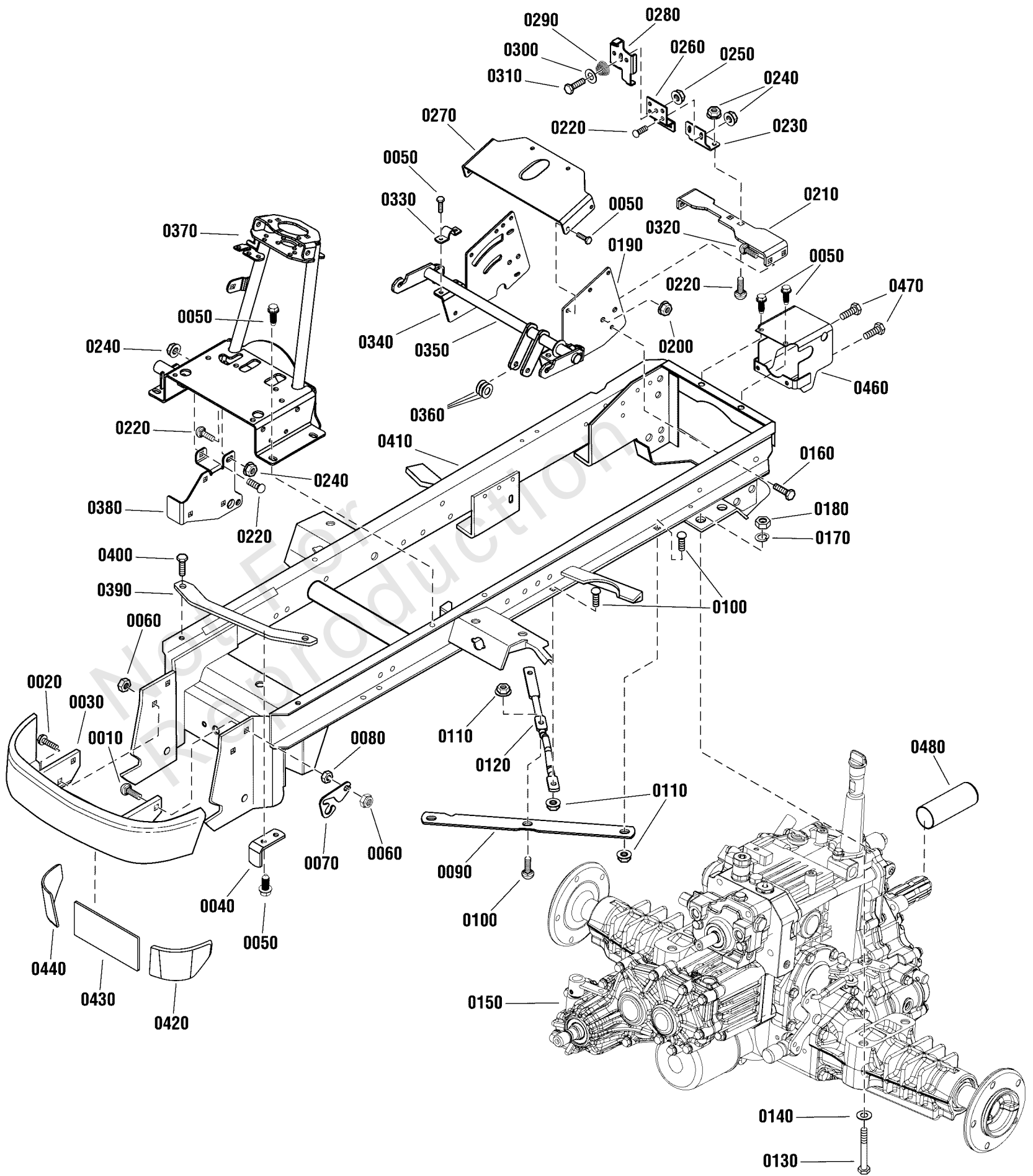
### Footnotes:

Note:\* See your local Briggs & Stratton distributor for parts and service.

# Frame & Transmission Group

Note: Unless noted otherwise, use the standard torque specifications

Mfg. No: 2691524-00





## Frame & Transmission Group

REF NO	PART NO	QTY	DESCRIPTION
0010	1960706SM	2	BOLT, Carriage, Short Neck, 1/2-13 x 2
0020	1920328SM	2	CAPSCREW, Hex, 1/2-13 x 1-1/2
0030	1725171ASM	1	BUMPER & BRACKETS ASSEMBLY
0040	1725752ASM	1	BRACKET, Upstop
0050	1664847SM	16	SCREW, Taptite, 5/16-18 x 3/4 -(Qty 18 with 540 PTO model)
0060	1960708SM	4	NUT, Hex Nylock Flange, 1/2 - 13
0070	1726019ASM	2	LOCK, Hood
0080	1913744SM	2	NUT, Hex Jam, 1/2-13
0090	1724936ASM	1	BRACE, Cross
0100	1960268SM	5	BOLT, Carriage, 3/8-16 x 1-1/4, G5
0110	1960680SM	5	NUT, Hex, KEPS, Conical Washer, 3/8-16
0120	1725635SM	1	ROD
0130	1960482SM	4	CAPSCREW, Hex Head, M12-1.25 x 100MM,
0140	1924361SM	4	WASHER, Flat
0150	1752343YP	1	TRANSMISSION ASSEMBLY, 2WD, K92D
0150	1752344YP	1	TRANSMISSION ASSEMBLY, 4WD, K92E
0150	1752345YP	1	TRANSMISSION ASSEMBLY, 4WD, K92F, W/540
0160	704146	4	SCREW, Hex Washer Head, Taptite, 5/16-18 x 1
0170	1916966SM	4	LOCKWASHER, Spring, 1/2
0180	1960423SM	4	NUT, Hex Flange Center Lock, M12-1.25
0190	1725096ASM	1	SUPPORT, Seat Support, L.H.
0200	1960687SM	4	NUT, Hex Flange Nylock, ESNA, 3/8-16
0210	1724244ASM	1	BRACKET, Torque Strap
0220	1931333SM	6	BOLT, Carriage, Short Neck, 5/16-18 x 3/4, GR 5
0230	1725081ASM	1	SUPPORT, Dump Valve
0240	1960684SM	6	NUT, Hex Keps, 5/16-18
0250	1960686SM	1	NUT, Hex Flange Nylock, 5/16-18
0260	1725308SM	1	SUPPORT, Free Wheel Latch
0270	1725094ASM	1	SUPPORT, Seat Deck
0280	1724248SM	1	BRACKET, Free Wheel
0290	2153010SM	1	SPRING, Tension
0300	1919326SM	1	WASHER, 5/16
0310	1921333SM	1	CAPSCREW, Hex Head, 5/16-18 x 1
0320	1931350SM	4	BOLT, Carriage, 3/8-16 X 1, G5 -(Qty 3 with 540 PTO model)
0330	1720147ASM	2	STRAP, Rod
0340	1725095ASM	1	SUPPORT, Seat Support, R.H.
0350	1724765ASM	1	SHAFT ASSEMBLY
0360	703853	3	WASHER, 1/2 -(Used on non 3-pont equipped models)
0370	1724108ASM	1	TOWER ASSEMBLY
0380	1724838ASM	1	SUPPORT, Control Valve
0390	1759741CJYP	1	BRACE
0400	703950	2	SCREW, Hex Washer Head, Thread Roll, 5/16-18 X 5/8
0410	-----	1	* FRAME ASSEMBLY
0420	1759255YP	1	INSULATION, LH
0430	1759256YP	1	INSULATION, Center
0440	1759257YP	1	INSULATION, RH

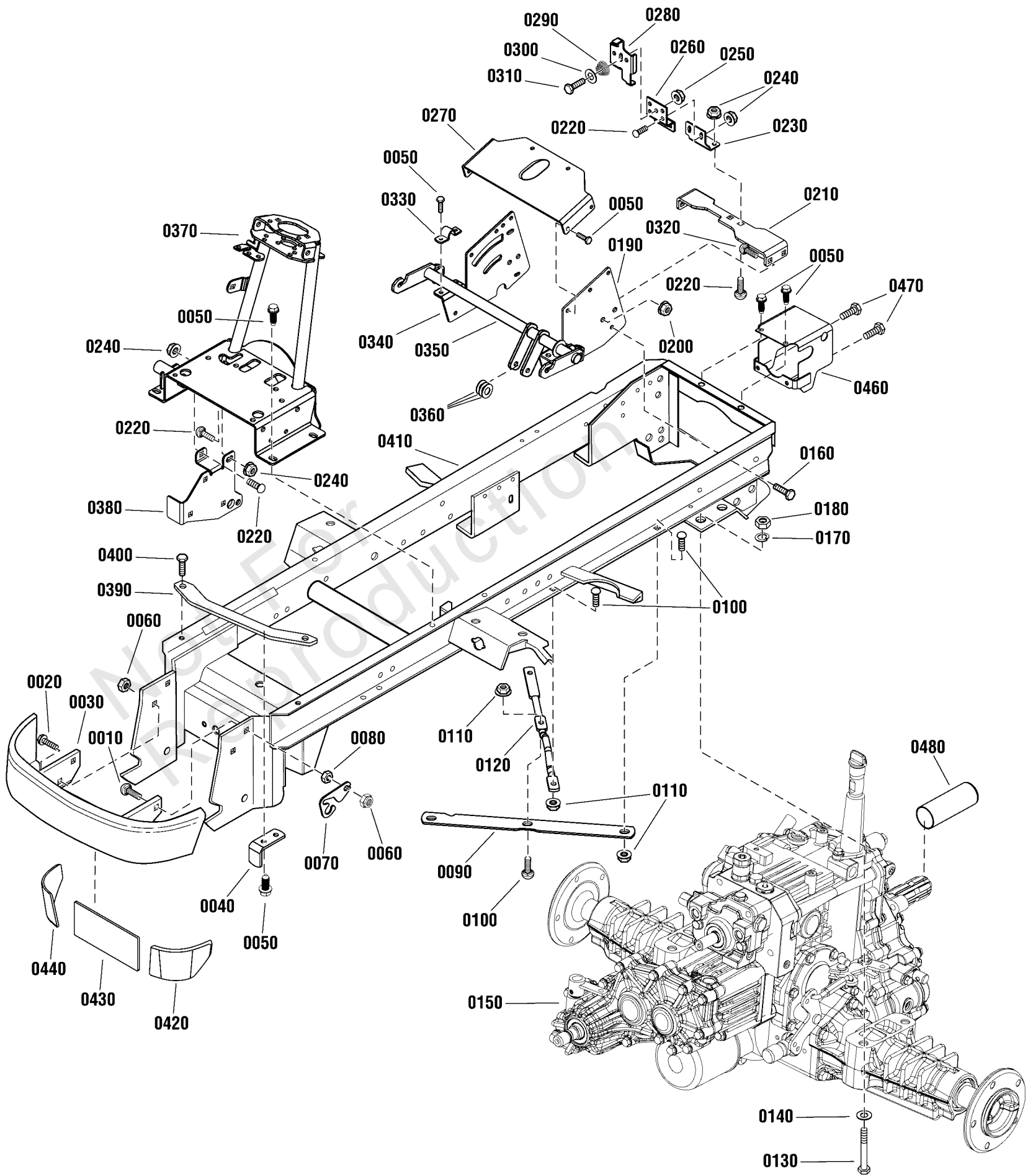
### Footnotes:

Note:\* Not a serviceable part.

# Frame & Transmission Group

Note: Unless noted otherwise, use the standard torque specifications

Mfg. No: 2691524-00



## Frame & Transmission Group

---

REF NO	PART NO	QTY	DESCRIPTION
0460	1724817ASM	1	SHIELD & BRACKET ASSEMBLY -(Used with 540 PTO model)
0470	1960677SM	2	CAPSCREW, Hex Head, M12-1.75 x 25MM -(Used with 540 PTO model)
0480	1726474SM	1	COVER, PTO Shaft -(Used with 540 PTO model)

Not For  
Reproduction

---

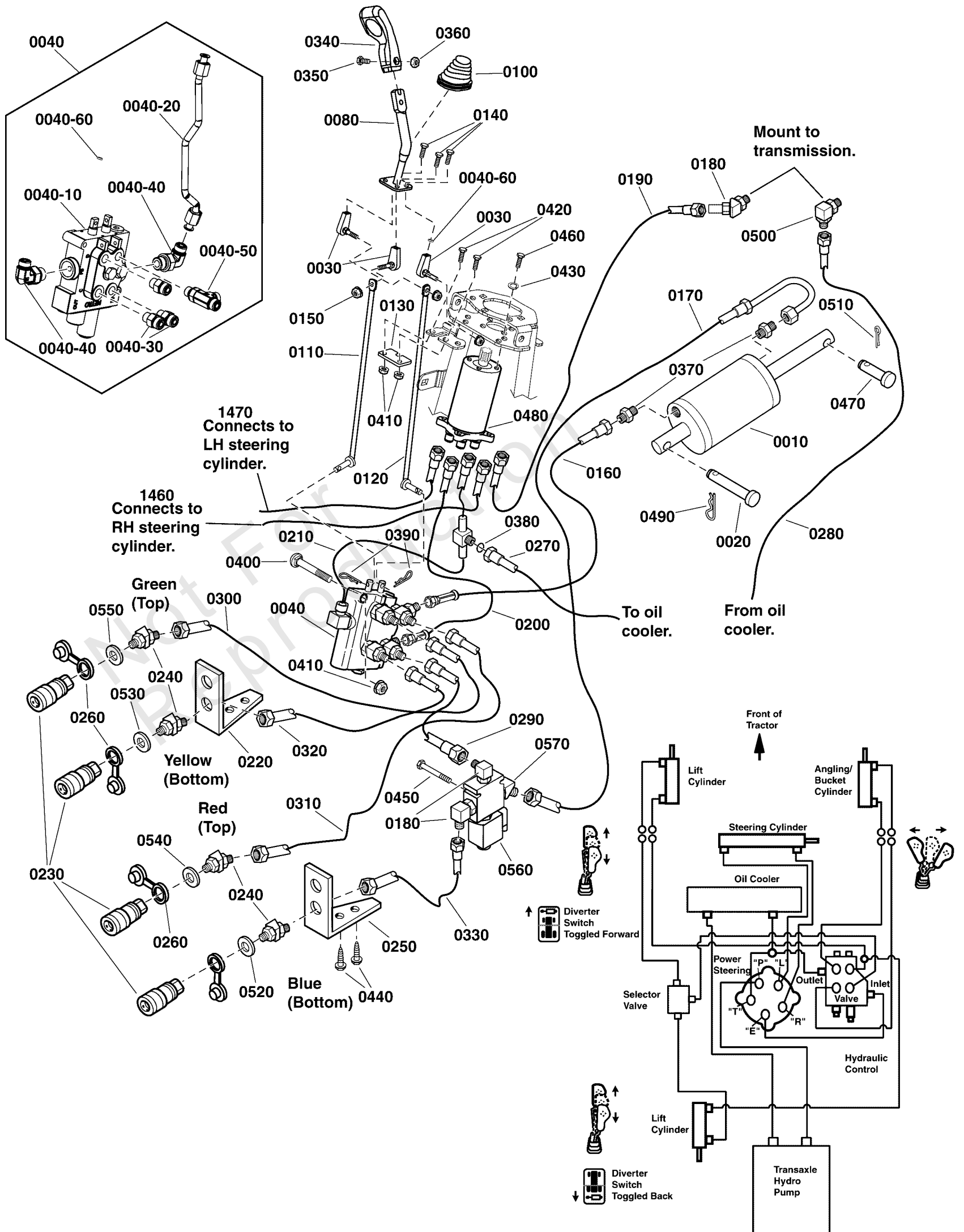
**Footnotes:**

Note:\* Not a serviceable part.

# Hydraulic Group

Note: Unless noted otherwise, use the standard torque specifications

Mfg. No: 2691524-00



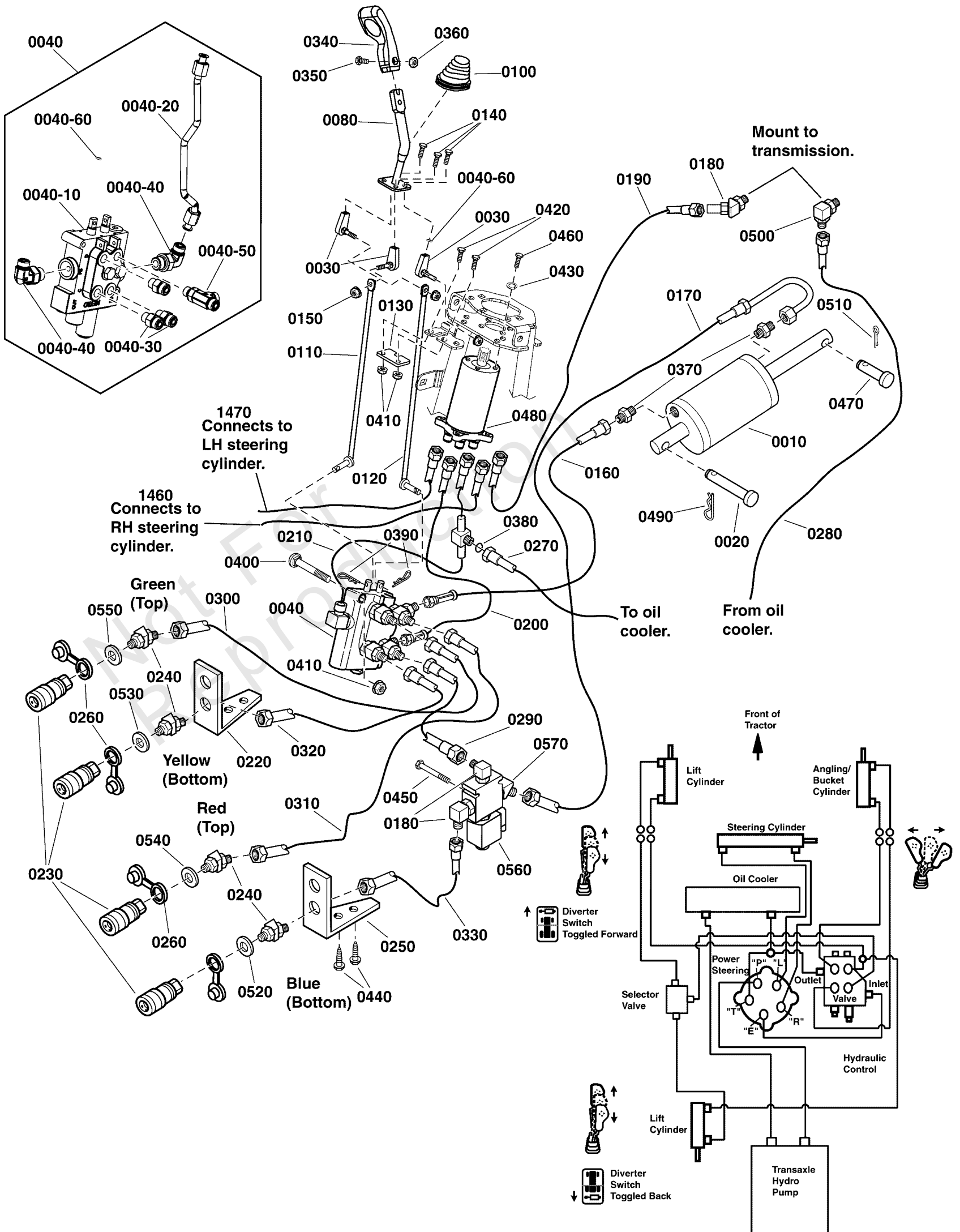
## Hydraulic Group

REF NO	PART NO	QTY	DESCRIPTION
0010	1726442SM	1	CYLINDER ASSEMBLY, Hydraulic
0020	1725223SM	1	PIN, Clevis
0030	1725117SM	3	JOINT, Ball, 1/4-28 Int
0040	1688015	1	KIT, CONTROL VALVE, HYDRAULIC -(Incl. Ref. Nos. 0040-10, 0040-20, 0040-30, 0040-40, 0040-50, 0040-60)
0040-10	84003657	1	VALVE ASSEMBLY, Control 2 Spool
0040-20	84003660	1	TUBE, Assembly Hydraulic
0040-30	1722123SM	3	FITTING, Straight, 9/16-18, 11/16-16
0040-40	84003659	2	FITTING, Tube Elbow
0040-50	84003658	1	FITTING, Tube Tee
0040-60	703124	1	SPACER, 1/4 x .118, G5
0080	1757503COYP	1	LEVER ASSEMBLY, Joystick
0100	1725120SM	1	BOOT, Hydraulic Control
0110	1724878SM	1	ROD & PIN ASSEMBLY, Control
0120	1724434SM	1	ROD & PIN ASSEMBLY, Control
0130	1724881SM	1	PAD, Hydraulic
0140	2860696SM	3	SCREW, Hex SEMS Square Washer, 1/4-28 x 3/4
0150	2860697SM	3	NUT, Hex, Spirallock Flange 1/4-28
0160	1725110SM	1	HOSE ASSEMBLY, Hydraulic Rubber, 13.7 LG, 30 Degrees
0170	1725111SM	1	HOSE ASSEMBLY, Hydraulic Rubber, 180 Degrees
0180	1729591SM	3	FITTING, Tube Elbow, 9/16-18 11/16-16, 90 Degrees
0190	1729590SM	1	TUBE, Assembly Hydraulic
0200	84003660	1	TUBE, Assembly Hydraulic
0210	1725690SM	1	TUBE, Hydraulic
0220	1725325ASM	1	SUPPORT, Quick Disc R.H.
0230	2173358SM	4	QUICK CONNECTOR, Female Nose Piece Assembly
0240	1725351SM	4	FITTING, Tube Elbow
0250	1725323ASM	1	SUPPORT, Quick Disc L.H.
0260	2173360SM	4	Plastic Plug (Mfg. Nos. 953 & 954)
0270	1725604SM	1	HOSE ASSEMBLY, Hydraulic Rubber, 29 LG, 1 Swivel
0280	1725691SM	1	HOSE, Hydraulic
0290	1725688SM	1	TUBE, Hydraulic
0300	1725686SM	1	TUBE, Hydraulic
0310	1725684SM	1	TUBE, Hydraulic
0320	1725687SM	1	TUBE, Hydraulic
0330	1725685SM	1	TUBE, Hydraulic
0340	1722303SM	1	HANDLE, Cruise 3/8 x 7/8 Slot
0350	1960666SM	1	SCREW, Torque Head Plus Socket Head, 1/4-20 x 7/8
0360	703232	1	NUT, Hex Lock, 1/4-20, ESNA
0370	2819171SM	2	TUBE, Fitting Mail 1/8 NPT+7/16-20 .250TU
0380	1725485SM	1	O-RING
0390	703892	2	PIN, Cotter, 1/16 x 3/4
0400	1960700SM	2	CARRIAGE BOLT, 1/4-20 x 2 G5
0410	703061	8	NUT, 1/4-20, Keps, Conical Washer
0420	703925	2	CAPSCREW, Hex Head, 1/4-20 x 5/8, GR5
0430	704133	4	WASHER
0440	-----	4	HFLCS 1/4 - 20 X .750 GR5 ZINC/CLEAR
0450	-----	2	SCREW, Hex Washer Head, 1/4-20 X 1.750
0460	-----	4	CAPSCREW, Hex Head, 1 X 16MM
0470	1729275SM	1	PIN, Round Head, Drilled, 1/2 x 2-1/2
0480	1725288SM	1	POWER STEERING UNIT

# Hydraulic Group

Note: Unless noted otherwise, use the standard torque specifications

Mfg. No: 2691524-00



## Hydraulic Group

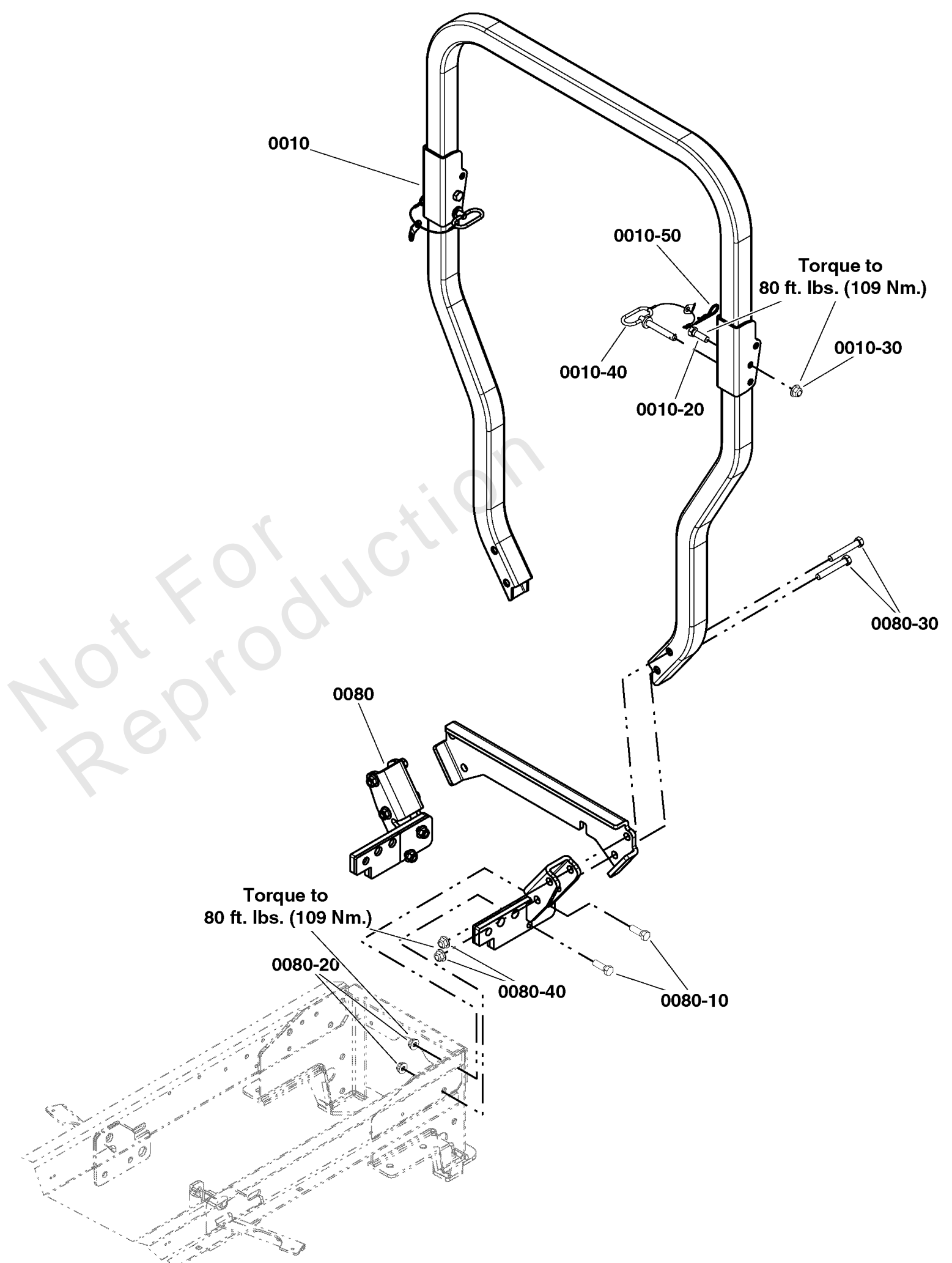
REF NO	PART NO	QTY	DESCRIPTION
0490	1960033SM	1	CLIP, Hair Pin
0500	1725655SM	1	FITTING, Tube Elbow 9/16-18 13/16-16, 90 Degrees
0510	703795	1	PIN, Cotter, 1/8 X 1.0", ZC/CL
0520	1726318SM	1	WASHER
0530	1726319SM	1	WASHER
0540	1726320SM	1	WASHER
0550	1726321SM	1	WASHER
0560	5102930	1	VALVE, HYD, 2 POS, 3 WAY
0570	1752988YP	1	FITTING, Hydraulic, 45 degree
1460	1725012SM	1	HOSE ASSEMBLY, Hydraulics, R.H.
1470	1724890SM	1	HOSE ASSEMBLY, Hydraulics, L.H.

Not For Reproduction

# Roll-Over Protection System Group

Note: Unless noted otherwise, use the standard torque specifications

Mfg. No: 2691524-00





## Roll-Over Protection System Group

REF NO	PART NO	QTY	DESCRIPTION
0010	-----	1	*ROPS ASSEMBLY
0010-20	-----	2	CAPSSCREW, Hex Head, ROPS
0010-30	-----	2	NUT, Hex Flange
0010-40	-----	2	* PIN, Hitch
0010-50	-----	1	PIN, Clevis
0080	-----	1	*RECEIVER, ROPS
0080-10	-----	4	CAPSSCREW, Hex Head, ROPS
0080-10	-----	4	CAPSSCREW, Hex Head, ROPS
0080-20	-----	4	NUT, Hex Flange
0080-30	-----	4	CAPSSCREW, Hex Head, ROPS
0080-40	-----	4	NUT, Hex Flange

Not For  
Reproduction

---

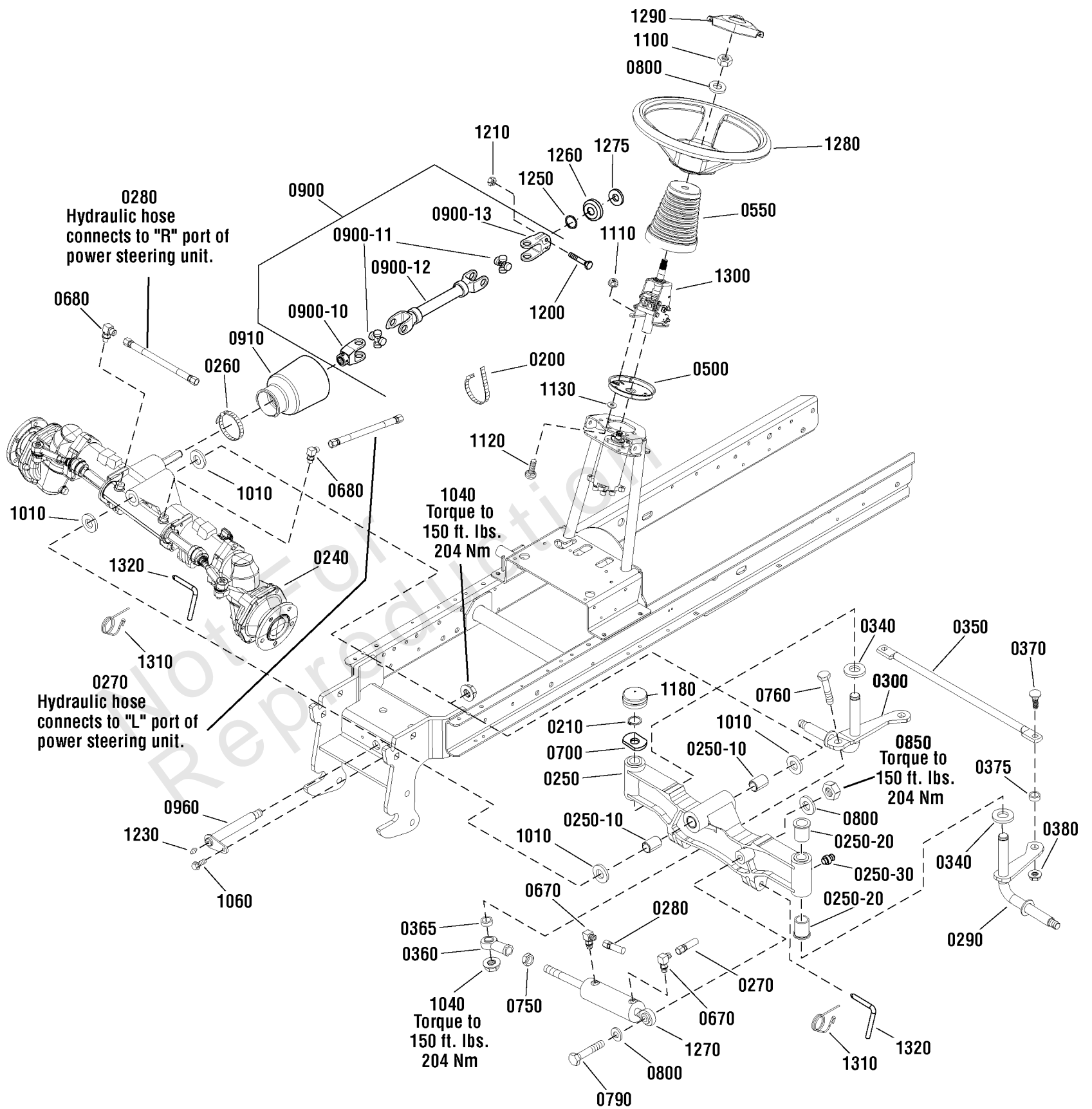
**Footnotes:**

Note:\* See your local authorized dealership for parts and warranty

# Steering & Front Axle Group 2WD & 4WD

Note: Unless noted otherwise, use the standard torque specifications

Mfg. No: 2691524-00



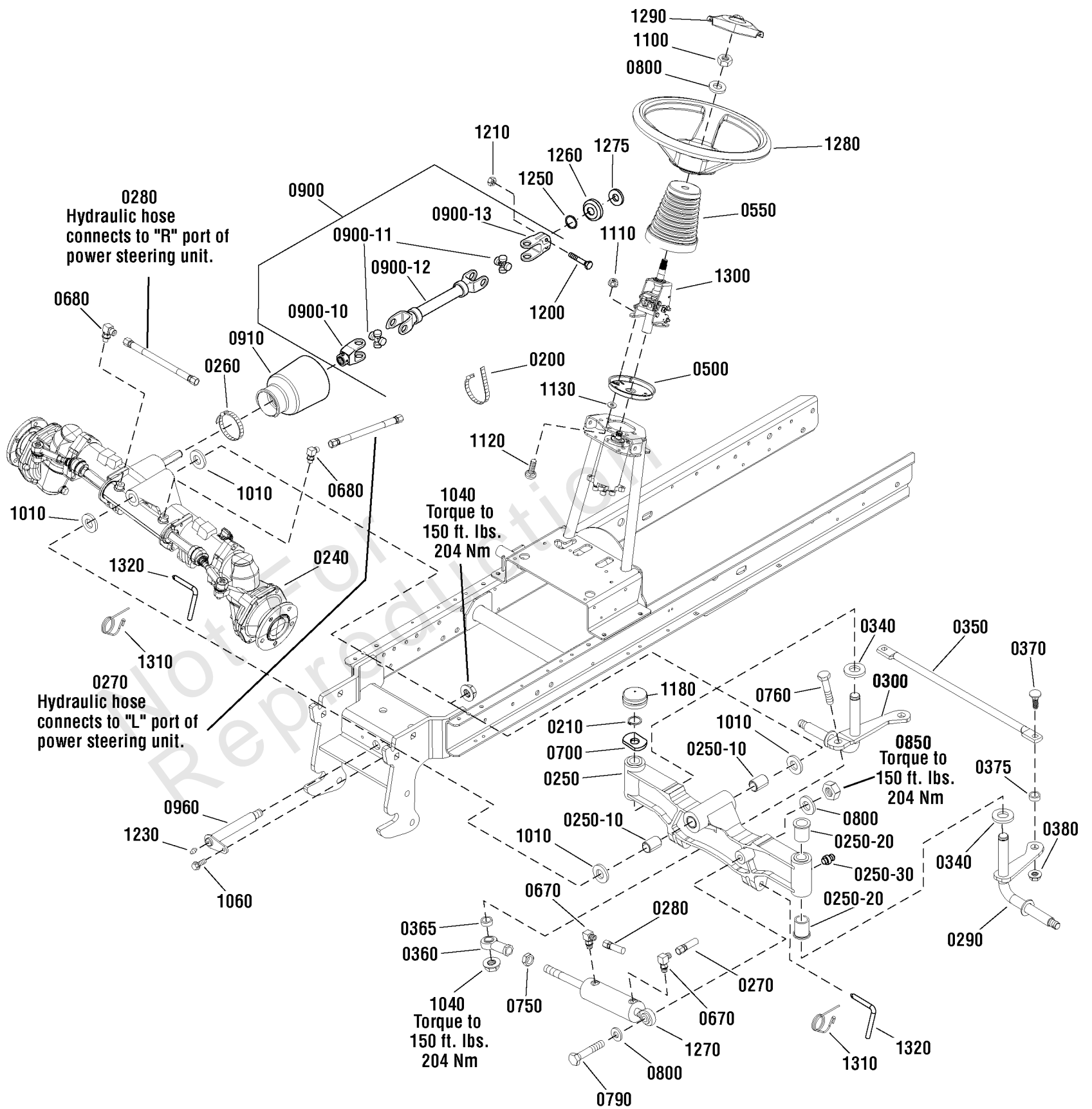
## Steering & Front Axle Group 2WD & 4WD

REF NO	PART NO	QTY	DESCRIPTION
0200	1701011SM	2	TIE, Self Locking, 15" Long
0210	2832577SM	2	RING, Retainer
0240	1760301YP	1	AXLE ASSEMBLY -(4wd & 540 PTO models only)
0250	1725465SM	1	AXLE & BUSHINGS ASSEMBLY
0250-10	1724870SM	2	BUSHING-1.004IDX1.250ODX1.075 LG 1045CRS
0250-20	1725928SM	4	BUSHING-0.987IDX1.251ODX1.50 LG PM
0250-30	1704314SM	2	FITTING, Lube, 1/4
0260	1725617SM	1	CLAMP, Worm Hose -(4wd & 540 PTO models only)
0270	1724890SM	1	HOSE ASSEMBLY, Hydraulics, L.H.
0280	1725012SM	1	HOSE ASSEMBLY, Hydraulics, R.H.
0290	1724574SM	1	SPINDLE & ARM ASSEMBLY, Left Hand
0300	1724575SM	1	SPINDLE & ARM ASSEMBLY, Right Hand
0340	1960701SM	2	WASHER, 1 x 2-1/4 x 1/8
0350	1724923ASM	1	ROD, Tie
0360	1717589SM	1	BALL JOINT ASSEMBLY
0365	1722461SM	1	SPACER, 3/4 x 1-1/16 x 3/8, Powder Metal
0370	1960135SM	2	BOLT, Carriage, 7/16-14 x 1-1/4
0375	1716953SM	2	SPACER, .390 LG
0380	1960688SM	2	NUT, Hex, Toplock Flange, 7/16-14
0500	1724685ASM	1	PLATE, Steering
0550	1724368YP	1	BELLOWS, Tilt Steering Unit With Slot
0670	1725021SM	2	FITTING, Elbow Hose
0680	1725013SM	2	FITTING, Elbow Hose -(4wd & 540 PTO models only)
0700	1722726SM	2	WASHER
0750	1922015SM	1	NUT, Hex, Jam, 3/4-16
0760	1960712SM	1	CAPSCREW, Hex Head, 3/4-10 x 2-1/2 G5
0790	1960713SM	1	CAPSCREW, Hex Head, M16-2.00 X 110MM, 8.8 BLK
0800	1924366SM	3	WASHER, 5/8 -(Qty 1 with 4wd & 540 PTO models)
0850	1960714SM	1	NUT, Hex, Toplock M16-2.00 BLACK
0900	1724562SM	1	SHAFT ASSEMBLY -(4wd & 540 PTO models only)
0900-10	-----	1	YOKE & FLANGE, Drive Shaft -(Not a serviceable part)
0900-11	-----	2	CROSS & BEARING KIT, Includes Grease Fitting -(Not a serviceable part)
0900-12	-----	1	YOKE & TUBE ASSEMBLY -(Not a serviceable part)
0900-13	-----	1	YOKE, Drive Shaft -(Not a serviceable part)
0910	1725581SM	1	COVER, Drive Shaft -(4wd & 540 PTO models only)
0960	1724841SM	1	SHAFT & ANCHOR ASSEMBLY, Pivot
1010	1960201SM	2	WASHER (Mfg. Nos. 1690846 & 1690912 Only)
1040	1960691SM	2	NUT, Hex, Toplock Flange 3/4-10 -(Qty 1 with 4wd & 540 PTO models)
1060	1664847SM	1	SCREW, Taptite, 5/16-18 x 3/4
1100	1960576SM	1	NUT, Hex Lock, ESNA Light, 5/8-18
1110	1960636SM	3	NUT, Hex, 5/16-18
1120	1960223SM	3	BOLT, Carriage, 5/16-18 x 1 1/4
1130	1933988SM	3	NUT, Push Pal, 5/16 DIA Thread, 5/8 OD

# Steering & Front Axle Group 2WD & 4WD

Note: Unless noted otherwise, use the standard torque specifications

Mfg. No: 2691524-00



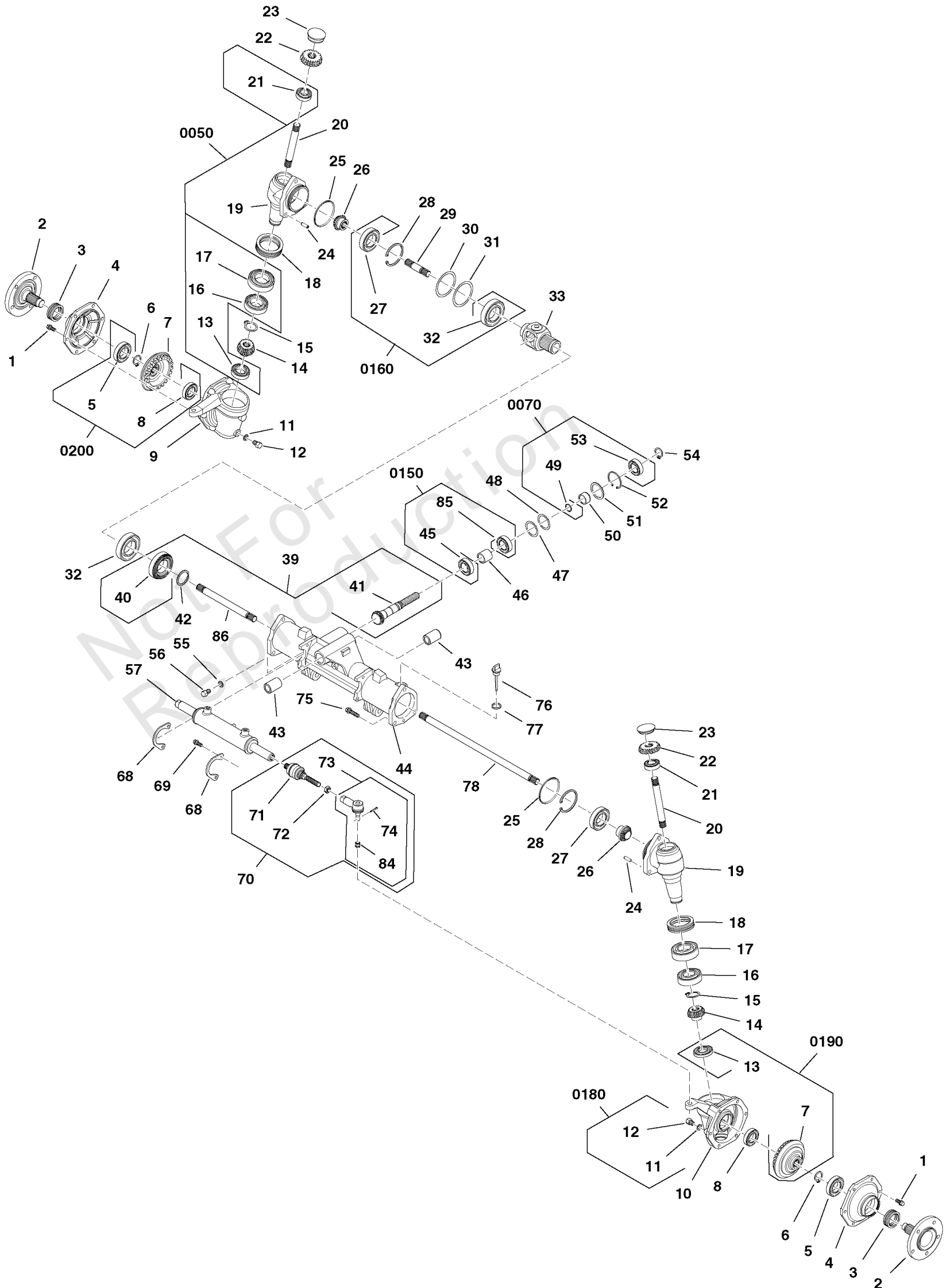
## Steering & Front Axle Group 2WD & 4WD

REF NO	PART NO	QTY	DESCRIPTION
1180	1725651SM	2	COVER, Spindle
1200	1921971SM	2	BOLT, 3/8-16 X 1-3/4, GR 5, CZ -(4wd & 540 PTO models only)
1210	1919439SM	2	NUT, Hex Lock, ESNA LIGHT, 3/8-16 -(4wd & 540 PTO models only)
1230	1704314SM	1	FITTING, Lube, 1/4
1250	1732090SM	1	SPACER, Grass Shield, 0.793 x 1-3/4 x 1/4 -(4wd & 540 PTO models only)
1260	1732089SM	1	CUP, Spindle. 0.793HOLE E-COAT -(4wd & 540 PTO models only)
1270	1724925SM	1	CYLINDER, Hydraulic Steering
1275	2176111SM	1	O-RING 0.739 ID .070 WIDTH SAE-TYPE 1 -(4wd & 540 PTO models only)
1280	1760534YP	1	STEERING WHEEL
1290	1760535YP	1	CAP, Steering Wheel
1300	1734002SM	1	TILT STEERING UNIT, Legacy
1310	703852	2	PIN, Retainer, 5/16 x 3/8
1320	1717075SM	2	PIN, L, 1/2

# Transaxle SERVICE PARTS - Daedong BSFA-25

Note: Unless noted otherwise, use the standard torque specifications

Mfg. No: 2691524-00



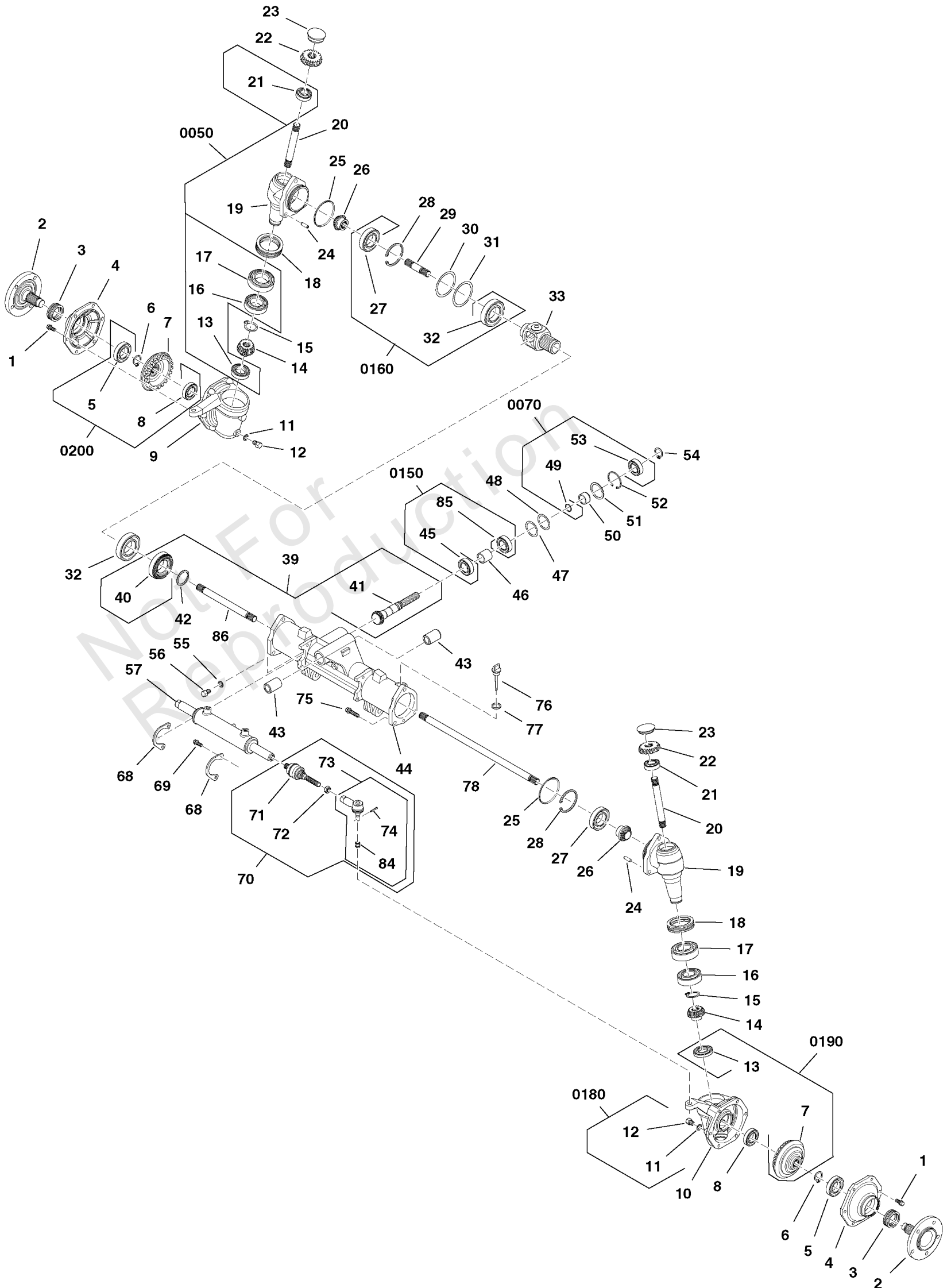
**Transaxle SERVICE PARTS - Daedong BSFA-25**

REF NO	PART NO	QTY	DESCRIPTION
1	-----	12	BOLT, Washer
2	-----	2	AXLE, Front
3	772288	2	OIL SEAL
4	-----	2	COVER, Front Axle
6	-----	2	SNAP RING
8	-----	1	BALL BEARING
9	-----	1	CASE, Front Axle, RH
10	-----	1	CASE, Front Axle, LH
11	-----	2	WASHER, Seal
12	-----	2	PLUG
13	-----	2	BALL BEARING
14	-----	2	GEAR, Bevel
15	-----	2	CIR-CLIP, External
16	-----	2	BALL BEARING
17	-----	2	BALL BEARING
18	772290		OIL SEAL
19	-----	2	CASE, Bevel Gear
20	-----	2	ROD, Bevel Gear Shaft
21	-----	2	BALL BEARING
22	-----	2	GEAR, Bevel, 19 Teeth
23	-----	2	COVER, Seal
24	-----	1	PIN, PARALLEL
25	772283	2	O-RING
26	-----	2	GEAR, Bevel, 11 Teeth
27	-----	1	BALL BEARING
28	-----	2	SNAP RING
29	-----	1	SHAFT, Differential Gear, RH
30	-----	1	SHIM, 0.20
31	-----	1	SHIM, 0.10
33	-----	1	FRONT DIFFERENTIAL ASSEMBLY
41	772296	1	DRIVE PINION
43	-----	2	BUSH
44	-----	1	SUPPORT, Front Axle
46	-----	1	BUSHING
47	-----	1	SHIM, 0.10
48	-----	1	SHIM, 0.20
50	-----	1	BUSHING
51	-----	1	COLLAR
52	-----	1	CIR-CLIP
54	-----	1	CIR-CLIP
55	-----	1	WASHER, Seal
56	-----	2	PLUG
57	772295	1	CYLINDER ASSY
68	772291	2	BRACKET
69	772279	4	BOLT
70	-----	2	BALL JOINT ASSEMBLY
71	772292	1	TIE ROD END
72	772280	1	NUT
73	772293	1	BALL JOINT, TIE ROD END
74	772284	2	SPLIT PIN
75	-----	6	BOLT

# Transaxle SERVICE PARTS - Daedong BSFA-25

Note: Unless noted otherwise, use the standard torque specifications

Mfg. No: 2691524-00





## Transaxle SERVICE PARTS - Daedong BSFA-25

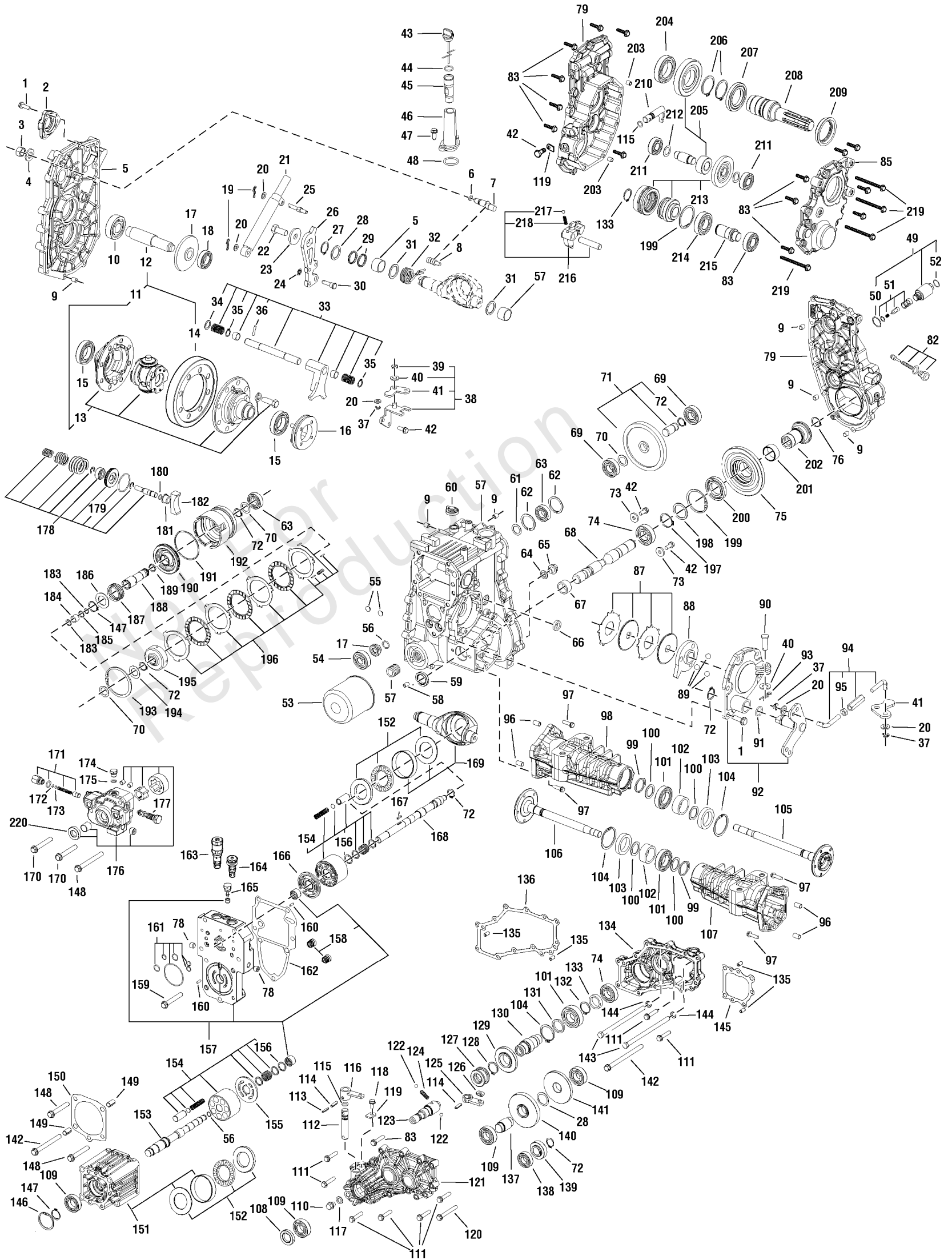
REF NO	PART NO	QTY	DESCRIPTION
76	772289	2	GAUGE, OIL
77	772281	1	SEAL WASHER
78	-----	1	SHAFT, Differential Gear, LH
13	-----	1	BALL BEARING
16	-----	1	BALL BEARING
17	-----	1	BALL BEARING
21	-----	1	BALL BEARING
49	772282	1	O-RING
53	772286	1	OIL SEAL
45	772294	1	BALL BEARING
85	772287	1	BALL BEARING
27	-----	2	BALL BEARING
32	-----	1	BALL BEARING
11	-----	2	WASHER, Seal
12	-----	2	PLUG
7	-----	2	GEAR, Bevel, 34 Teeth
13	-----	2	BALL BEARING
5	-----	2	BALL BEARING
8	-----	2	BEARING BALL

Not For Production

# Transmission SERVICE PARTS - Tuff Torq K92, 4WD 540

Note: Unless noted otherwise, use the standard torque specifications

Mfg. No: 2691524-00



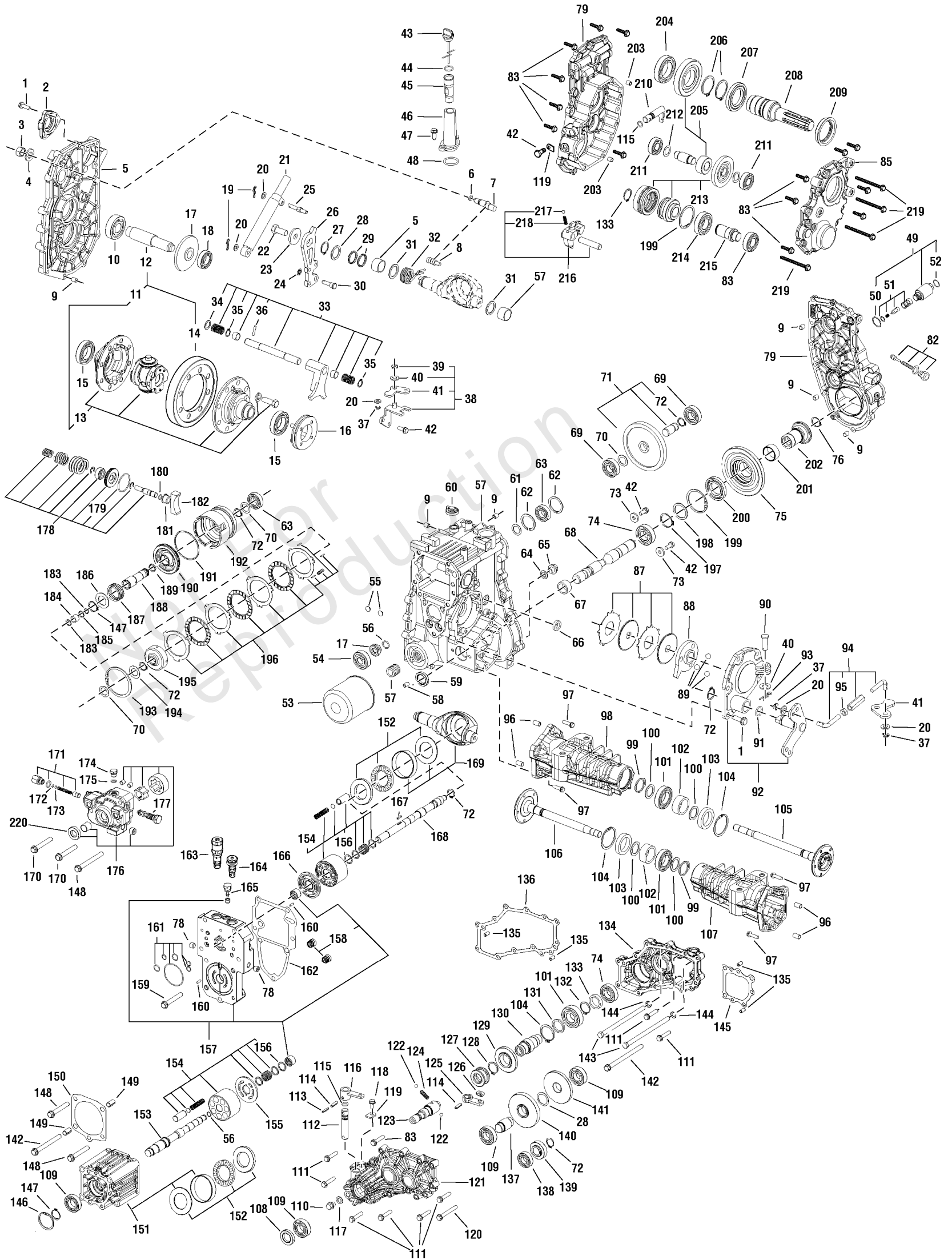
## Transmission SERVICE PARTS - Tuff Torq K92, 4WD 540

REF NO	PART NO	QTY	DESCRIPTION
1	1720867SM	9	BOLT 8*25
2	1726198SM	1	COVER PTO BRAKE
3	1708692SM	1	NUT 12
4	1708689SM	1	WASHER 12
5	1726189SM	1	COVER KIT MISSION
6	1708691SM	1	O-RING, 1A P10A
7	1726152SM	1	FULCRUM
8	1726151SM	1	SPRING CENTERING
9	1726105SM	6	COLLAR 8*10*11.5
10	1726178SM	1	BEARING TMB305
11	1726232SM	1	FINAL GEAR KIT
12	1726159SM	1	SHAFT FINAL PINION
13	1726229SM	1	DIFF GEAR KIT
14	1726208SM	1	FINAL GEAR
15	1726269SM	2	BEARING 6007
16	1726180SM	1	SLIDER DIFF LOCK
17	1726206SM	1	GEAR KIT INPUT
18	1726207SM	1	BEARING 6005SH2
19	1726238SM	2	PIN SNAP
20	1726243SM	5	WASHER 8
21	1726100SM	1	ABSORBER SHOCK
22	1726296SM	1	BOLT 14*30
23	1726098SM	1	WASHER 44*14*4.5
24	1726203SM	1	PUSH NUT 7.8
25	1726101SM	1	STUD
26	1726201SM	1	ARM CONTROL
27	1707861SM	1	RING 28
28	1726153SM	2	WASHER 29*35*1
29	1726278SM	2	PACKING P26
30	1726202SM	1	PIN ARM CONTROL
31	1720836SM	2	WASHER 38*38*2
32	1726102SM	1	FULCRUM 10
33	1726157SM	1	FORK KIT DIFF LOCK
34	1726239SM	1	SPACER 16.5*24*1
35	1707912SM	1	RING 16
36	1726246SM	2	PIN 4.0A*25
37	1726263SM	3	PIN 2.0*15
38	1726158SM	5	FULCRUM KIT DIFF
39	1718259SM	1	PIN 2.0*20
40	1726244SM	1	WASHER 10
41	1726160SM	2	PLATE
42	1708711SM	2	BOLT 8*20
43	1726214SM	1	CAP 20*322
44	1707786SM	1	PACKING P18
45	1726215SM	1	PIPE OIL PORT
46	1726103SM	1	FILLER
47	1707890SM	1	TAPPING SCREW 8*20
48	1726279SM	1	PACKING P32
49	1726168SM	1	SOLENOID ASSY
50	1726169SM	1	GASKET SOLENOID
51	1726142SM	1	VALVE ASSY SOLENOID

# Transmission SERVICE PARTS - Tuff Torq K92, 4WD 540

Note: Unless noted otherwise, use the standard torque specifications

Mfg. No: 2691524-00



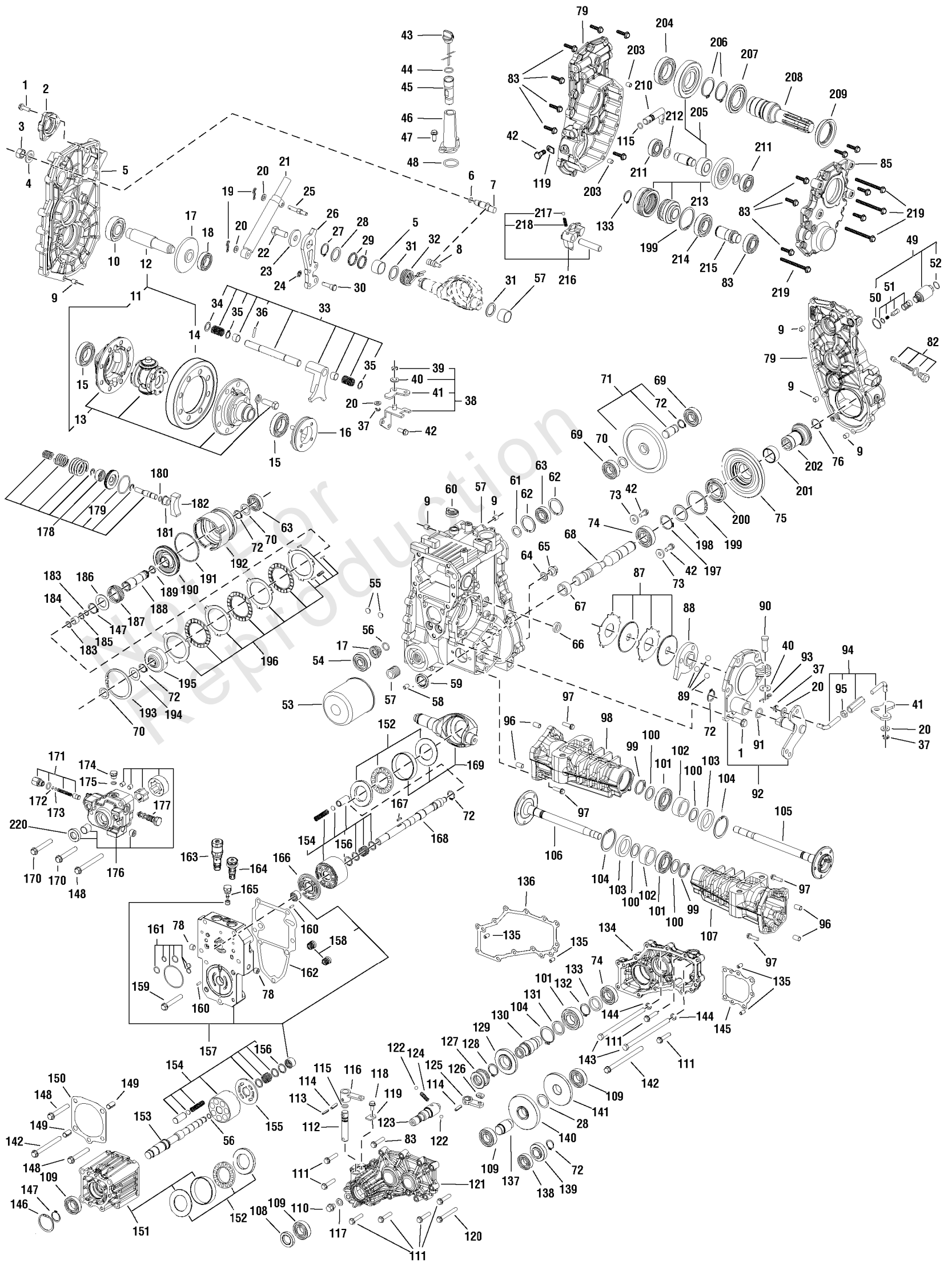
## Transmission SERVICE PARTS - Tuff Torq K92, 4WD 540

REF NO	PART NO	QTY	DESCRIPTION
52	1707786SM	1	PACKING P18
53	1726194SM	1	FILTER OIL
54	1726179SM	1	BEARING TMB303C
55	1726116SM	2	STRAINER
56	1726245SM	2	RING 12.6
57	1726188SM	1	HOUSING KIT MISSION
58	1726261SM	1	PIN 10*20
59	1726285SM	1	SEAL TC253807
60	1718052SM	1	VENT VALVE
61	1726283SM	1	PACKING 19017
62	1726259SM	2	RING 42
63	1707823SM	2	BEARING 6004
64	1726241SM	1	WASHER
65	1726240SM	1	BOLT 14*10
66	1718120SM	1	SEAL TC162606
67	1726273SM	1	NEEDLE 253216 NTN
68	1726199SM	1	SHAFT MID PTO
69	1707901SM	2	BEARING 6204
70	1726172SM	3	WASHER
71	1726138SM	1	IDLE ASSY. PTO
72	1726248SM	6	RING 20
73	1726136SM	2	WASHER 8.5*24*4
74	1707904SM	2	BEARING 6205
75	1726135SM	1	GEAR Z=62T MID PTO
76	1726249SM	1	RING 24
78	1726265SM	2	PLUG
79	1726143SM	1	CASE REAR PTO
82	1726107SM	1	PTO RELIEF VALVE KIT
83	1718122SM	24	BOLT 8*30
85	1726144SM	1	REAR COVER PLATE
87	1726163SM	1	PLATE KIT BRAKE
88	1726237SM	1	ACTUATOR
89	1726276SM	3	BALL 1/2
90	1726264SM	1	PIN 10*24
91	1707785SM	1	PACKING P16
92	1726164SM	1	CAM BRAKE KIT
93	1726262SM	1	PIN 10
94	1726161SM	1	ROD ASSY.
95	1726297SM	1	NUT 8
96	1726155SM	12	COLLAR 10*12*20
97	1726292SM	12	BOLT 10*35
98	1726230SM	1	REAR AXLE HOUSING R
99	1726162SM	2	CIRCLIP
100	1726186SM	4	COLLAR 30*42*2
101	1726268SM	3	BEARING 6006
102	1726174SM	2	SLEEVE 30*39*16
103	1726156SM	2	SEAL TC395511
104	1726255SM	3	RING 55
105	1726209SM	1	SHAFT REAR AXLE R
106	1726233SM	1	SHAFT REAR AXLE L
107	1726231SM	1	REAR AXLE HOUSING L

# Transmission SERVICE PARTS - Tuff Torq K92, 4WD 540

Note: Unless noted otherwise, use the standard torque specifications

Mfg. No: 2691524-00



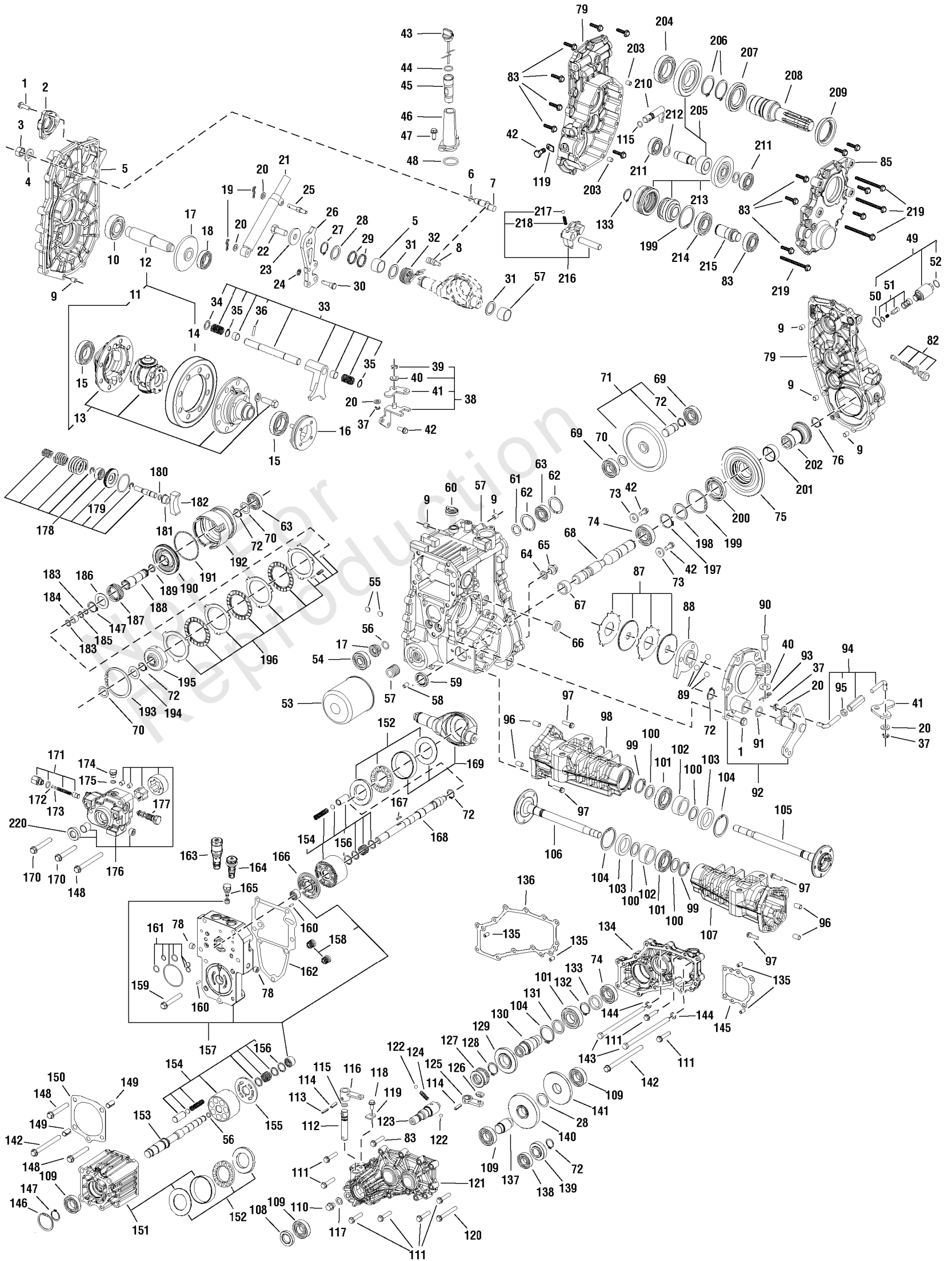
## Transmission SERVICE PARTS - Tuff Torq K92, 4WD 540

REF NO	PART NO	QTY	DESCRIPTION
108	1708708SM	1	SEAL TC254208
109	1707862SM	4	BEARING 6005
110	1726182SM	1	BOLT M12*12
111	1707897SM	12	BOLT 8*40
112	1726221SM	1	SHAFT SHIFT 4WD
113	1707839SM	1	PIN 3.5A*25
114	1718097SM	2	PIN 6.0A*25
115	1720872SM	2	PACKING P12.5
116	1726204SM	1	ARM SHIFT 4WD
117	1726181SM	1	GASKET 20*12*2
118	1726288SM	1	BOLT 8*16
119	1707780SM	2	PLATE KEEP
120	1726290SM	1	BOLT 8*70
121	1726220SM	1	FRONT COVER
122	1726274SM	2	BALL 1/4
123	1726234SM	1	SHAFT FRONT DRIVE
124	1726173SM	1	SPRING 21.2
125	1726235SM	1	ARM SHIFT 4WD
126	1726236SM	1	BLOCK SHIFT FRONT
127	1726184SM	1	COLLAR FRONT SHIFT
128	1726252SM	1	RING 35
129	1726226SM	1	GEAR 26T 4WD
130	1726227SM	1	SHAFT 4WD
131	1726183SM	1	COLLAR 30*38*4
132	1726251SM	1	RING 29
133	1726228SM	2	COLLAR 30*38*9.2
134	1726218SM	1	CENTER PLATE
135	1720848SM	4	PIN 8*16
136	1726219SM	1	PK 4WD GEAR BOX
137	1726224SM	1	SHAFT REDUCTION 4WD
138	1726267SM	1	BEARING 6004
139	1726222SM	1	GEAR 13T MOTOR
140	1726225SM	1	GEAR 34T 4WD
141	1726223SM	1	GEAR 30T 4WD
142	1726287SM	3	BOLT 10*145
143	1726295SM	2	BOLT 10*180
144	1726260SM	2	WASHER 10
145	1726205SM	1	PACKING FRONT COVER
146	1720787SM	1	RING 47
147	1726250SM	1	RING 25
148	1726294SM	4	BOLT 10*105
149	1726117SM	2	PIN KNOCK 12*22
150	1726109SM	1	PACKING MOTOR CASE
151	1726110SM	1	MOTOR CASE CMP.
152	1726192SM	2	BEARING SET THRUST
153	1726216SM	1	SHAFT MOTOR
154	1726196SM	2	BLOCK ASSY. CYL. P
155	1726113SM	1	PLATE VALVE M
156	1726258SM	2	RING 24
157	1726211SM	1	CENTERCASE ASSY.
158	1726187SM	1	BODY ASSY. SUCTION

# Transmission SERVICE PARTS - Tuff Torq K92, 4WD 540

Note: Unless noted otherwise, use the standard torque specifications

Mfg. No: 2691524-00





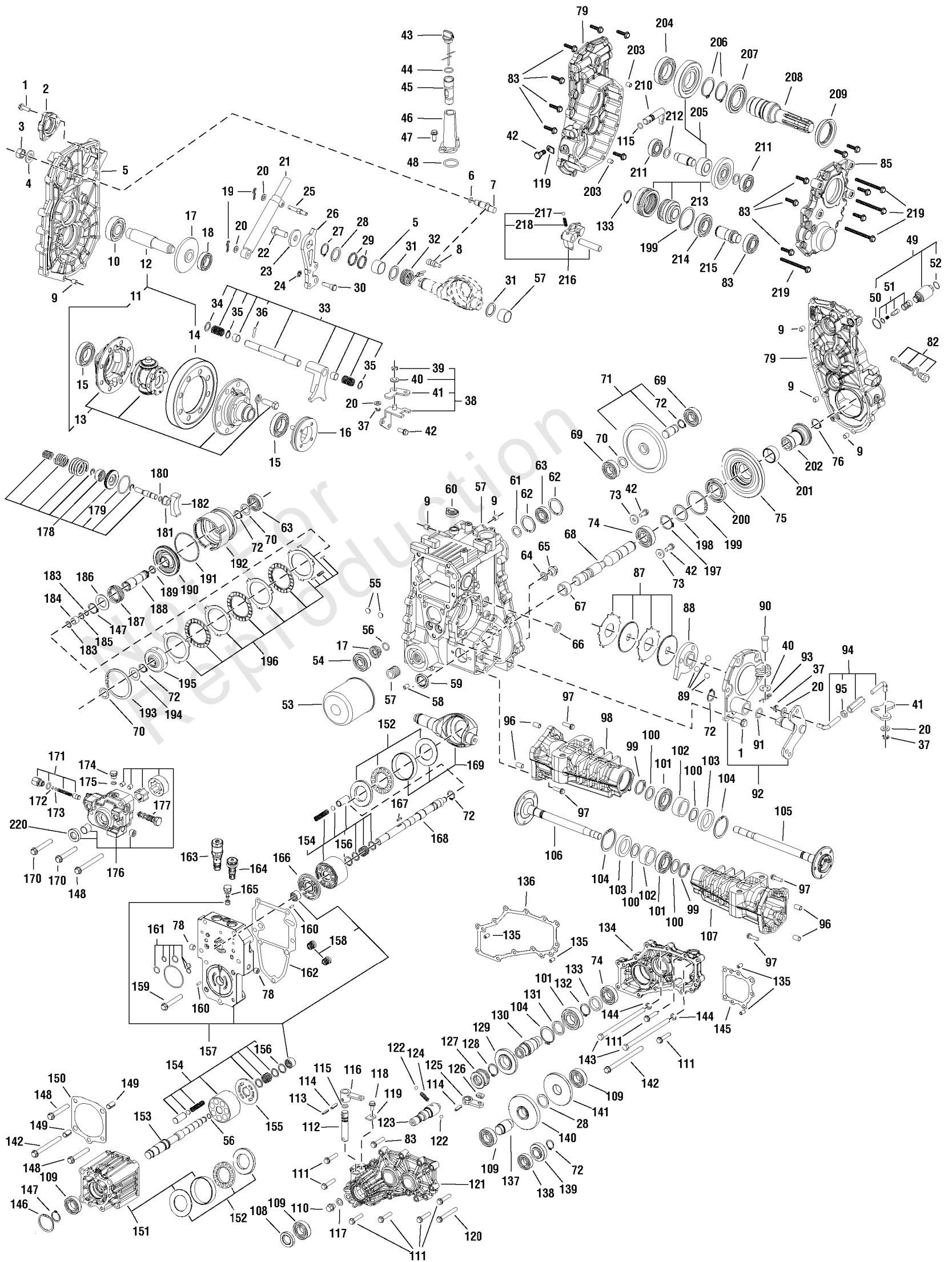
## Transmission SERVICE PARTS - Tuff Torq K92, 4WD 540

REF NO	PART NO	QTY	DESCRIPTION
159	1726286SM	2	BOLT 10*65
160	1726114SM	2	PIN 4*13.8
161	1726137SM	1	PACKING KIT
162	1726104SM	5	CENTERCASE PACKING
163	1726210SM	1	RELIEF ASSY. TOW 32
164	1726118SM	1	VALVE ASSY. CHECK R
165	1726115SM	1	RELEASE ASSY IMPLE
166	1726112SM	1	PLATE VAVLE P
167	1726242SM	1	KEY
168	1726195SM	1	PUMP SHAFT
169	1726213SM	1	SHIFT CMP.
170	1726293SM	2	BOLT 10*70
171	1726141SM	1	VALVE ASSY.
172	1726150SM	1	SHIM 7*0.2
173	1726185SM	1	SHIM T=0.3
174	1726139SM	1	PLUG 1/2OUNF
175	1726284SM	1	PACKING AS 905
176	1726200SM	1	BODY ASSY. PUMP
177	1726140SM	1	VALVE ASSY. REDUCING
178	1726197SM	1	BRAKE KIT PTO
179	1726282SM	1	PACKING 2045
180	1726277SM	1	PACKING P10
181	1726129SM	1	COLLAR BRAKE PIN
182	1726130SM	1	SHOE PTO BRAKE
183	1726133SM	2	RING 12
184	1726126SM	1	NEEDLE 121718
185	1726127SM	1	WASHER 13*17*1
186	1726131SM	1	WASHER 25*42*2
187	1726125SM	1	SPRING PTO RETURN
188	1726121SM	1	SHAFT CLUTCH
189	1726134SM	1	RING SEAL 17203
190	1726123SM	1	PISTON
191	1726280SM	1	PACKING G75
192	1726124SM	1	GEAR CLUTCH Z=39
193	1726257SM	1	RING 80
194	1726132SM	1	WASHER 20*34*1
195	1726122SM	1	COLLAR SPLINE
196	1726120SM	1	DISC KIT FRICTION
197	1726252SM	1	RING 35
198	1726177SM	1	SPACER CLUTCH SHAFT
199	1726256SM	2	RING 62
200	1726175SM	1	BEARING 16007
201	1726272SM	1	NEEDLE 354017
202	1726149SM	1	COLLAR SPLINE
203	1726105SM	2	COLLAR 8*10*11.5
204	1726270SM	1	BEARING 6009
205	1726166SM	1	GEAR KIT 14-35
206	1726253SM	2	RING 50
207	1726176SM	1	BEARING 16010
208	1726217SM	1	REAR PTO SHAFT
209	1726148SM	1	SEAL TCFY557214

# Transmission SERVICE PARTS - Tuff Torq K92, 4WD 540

Note: Unless noted otherwise, use the standard torque specifications

Mfg. No: 2691524-00



**Transmission SERVICE PARTS - Tuff Torq K92, 4WD 540**

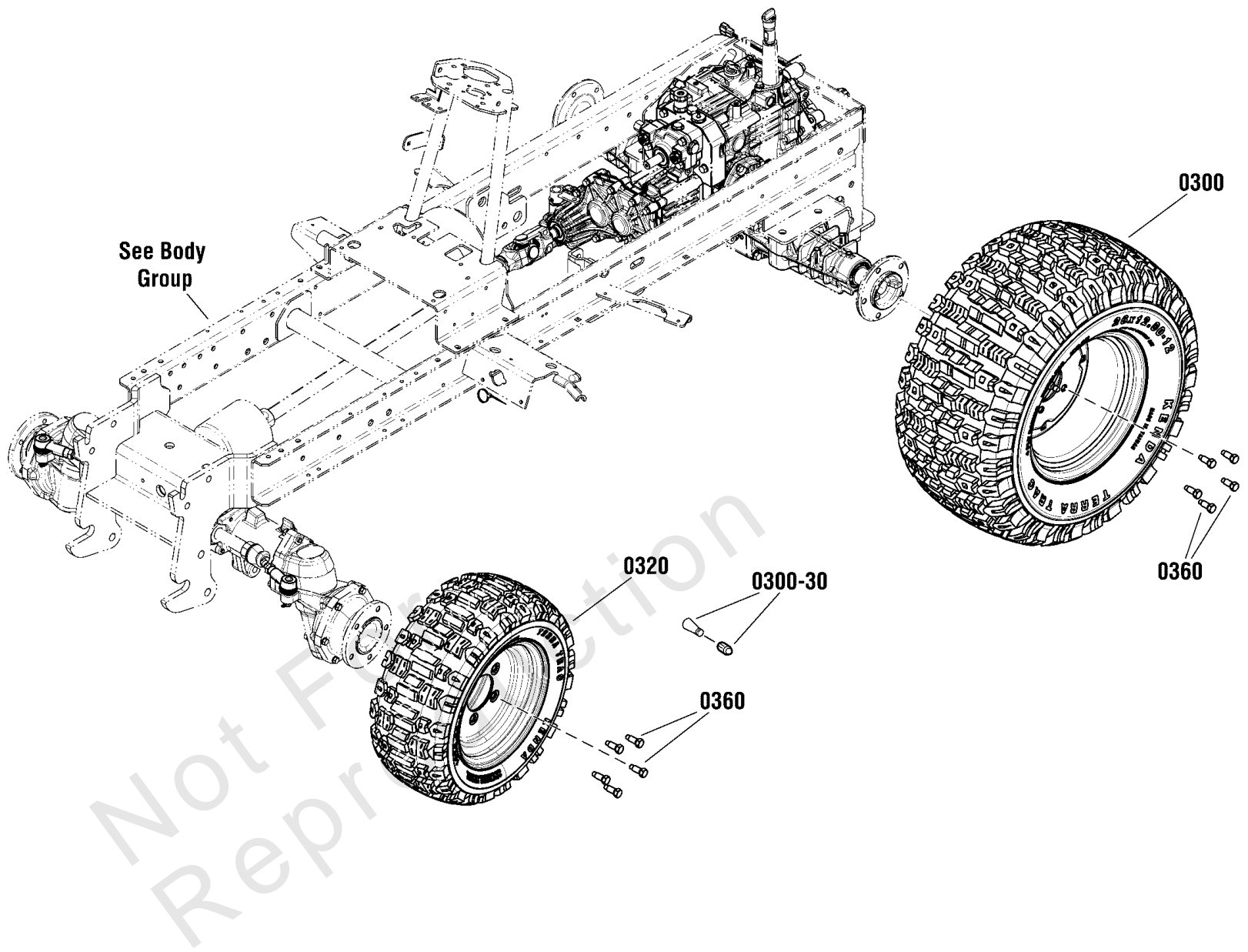
REF NO	PART NO	QTY	DESCRIPTION
210	1726154SM	1	SHAFT MBR CHANGE
211	1726170SM	2	BEARING 6204RSH2
212	1726146SM	1	SHAFT REAR PTO IDLE
213	1726165SM	1	GEAR KIT 20-29
214	1726271SM	1	BEARING 6206
215	1726145SM	1	SHAFT REAR PTO
216	1726167SM	1	FORK KIT MBR
217	1726275SM	1	BALL 5/16
218	1726171SM	1	SPRING
219	1726291SM	4	BOLT 8*90
220	1730197SM	1	SEAL, Charge Pump

Not For Reproduction

# Wheels & Tires Group

Note: Unless noted otherwise, use the standard torque specifications

Mfg. No: 2691524-00



## Wheels & Tires Group

REF NO	PART NO	QTY	DESCRIPTION
0300	1760080YP	2	ASMY, WHEEL & TIRE, 26X12-12 4P K502 -(Incl. Ref. Nos. 0300-10, 0300-20, 0300-30, 0300-40)
0300-10	1726595SM	2	* TIRE, Field Trac, 26 x 12-12 -(Included with with Ref. No. 0300)
0300-20	-----	2	RIM -(Included with with Ref. No. 0300)
0300-30	2172353SM	2	VALVE STEM & CAP ASSEMBLY -(Included with with Ref. No. 0300)
0300-40	-----	2	TUBE -(Included with with Ref. No. 0300)
0320	1760081YP	2	ASMY, WHEEL & TIRE, 18X8.50-10 4P K502 -(Incl. Ref. Nos. 0320-10, 0320-20, 0300-30, 0320-40)
0320-10	770584	2	TIRE -(Included with with Ref. No. 0320)
0320-20	-----	2	RIM -(Included with with Ref. No. 0320)
0300-30	2172353SM	2	VALVE STEM & CAP ASSEMBLY -(Included with with Ref. No. 0320)
0300-40	-----	2	TUBE -(Included with with Ref. No. 0320)
0360	1729280SM	10	BOLT, Hub, Rear Wheel -(Included with with Ref. No. 0320)

# Hardware Identification & Torque Specifications

Torque Specification Chart								
FOR STANDARD METRIC MACHINE HARDWARE (Tolerance ± 20%)								
Property Class	5.6		8.8		10.9		12.9	
	Class 5.6		Class 8.8		Class 10.9		Class 12.9	
Size Of Hardware	in/lbs	Nm.	in/lbs	Nm.	in/lbs	Nm.	in/lbs	Nm.
	ft/lbs		ft/lbs		ft/lbs		ft/lbs	
M3	5.88	.56	13.44	1.28	19.2	1.80	22.92	2.15
M4	13.44	1.28	30.72	2.90	43.44	4.10	52.56	4.95
M5	26.4	2.50	60.96	5.75	5.97	8.10	7.15	9.7
M6	44.64	4.3	7.3	9.9	10.3	14	12.1	16.5
M7	5.2	7.1	12.1	16.5	16.9	23	19.9	27
M8	7.7	10.5	17.7	24	25	34	29	40
M10	15	21	35	48	50	67	59	81
M12	26	36	61	83	86.2	117	103	140
M14	42	58	101	132	136	185	162	220
M16	64	88	147	200	210	285	250	340
M18	89	121	202	275	287	390	346	470
M20	126	171	290	390	405	550	486	660
M22	169	230	390	530	559	745	656	890
M24	217	295	497	375	708	960	840	1140
M27	320	435	733	995	1032	1400	1239	1680
M30	435	590	995	1350	1401	1900	1681	2280
M33	590	800	1349	1830	1902	2580	2278	3090
M36	759	1030	1740	2360	2441	3310	2935	3980
M39	988	1340	2249	3050	3163	4290	3798	5150

Torque Specification Chart						
FOR STANDARD MACHINE HARDWARE (Tolerance ± 20%)						
Hardware Grade	No Marks		SAE Grade 5		SAE Grade 8	
	SAE Grade 2		SAE Grade 5		SAE Grade 8	
Size Of Hardware	in/lbs	Nm.	in/lbs	Nm.	in/lbs	Nm.
	ft/lbs		ft/lbs		ft/lbs	
8-32	19	2.1	30	3.4	41	4.6
8-36	20	2.3	31	3.5	43	4.9
10-24	27	3.1	43	4.9	60	6.8
10-32	31	3.5	49	5.5	68	7.7
1/4-20	66	7.6	8	10.9	12	16.3
1/4-28	76	8.6	10	13.6	14	19.0
5/16-18	11	15.0	17	23.1	25	34.0
5/16-24	12	16.3	19	25.8	29	34.0
3/8-16	20	27.2	30	40.8	45	61.2
3/8-24	23	31.3	35	47.6	50	68.0
7/16-14	30	40.8	50	68.0	70	95.2
7/16-20	35	47.6	55	74.8	80	108.8
1/2-13	50	68.0	75	102.0	110	149.6
1/2-20	55	74.8	90	122.4	120	163.2
9/16-12	65	88.4	110	149.6	150	204.0
9/16-18	75	102.0	120	163.2	170	231.2
5/8-11	90	122.4	150	204.0	220	299.2
5/8-18	100	136	180	244.8	240	326.4
3/4-10	160	217.6	260	353.6	386	525.0
3/4-16	180	244.8	300	408.0	420	571.2
7/8-9	140	190.4	400	544.0	600	816.0
7/8-14	155	210.8	440	598.4	660	897.6
1-8	220	299.2	580	788.8	900	1,244.0
1-12	240	326.4	640	870.4	1,000	1,360.0

The guides and ruler furnished below are designed to help you select the appropriate hardware.



Nut, M8

Thread Diameter (mm)

Inside Diameter (in)      Threads per inch

Nut, 1/2-16



Screw, M8- 1.25 x 25

Thread Diameter (mm)      Distance between threads (mm)      Body Length (mm)

Body Diameter      Threads per inch      Body Length (in)

Screw, 1/2- 16 x 2



## Standard Hardware Sizing

When a washer or nut is identified as 1/2" (M8), this is the *Nominal size*, meaning the *inside diameter* is 1/2 inch (8mm metric thread diameter); if a second number is present it represents the *threads per inch* (distance between threads).

When bolt or capscrew is identified as 1/2 - 16 x 2" (M8 - 1.25 x 50), this means the *Nominal size*, or body diameter is 1/2 inch (8mm metric thread diameter), the second number, 16, represents the *threads per inch*, (*distance between threads*). The final number is the body length of the bolt or screw, 2 inches (50mm).

## NOTES

- These torque values are to be used for all hardware excluding: locknuts, self-tapping screws, thread forming screws, sheet metal screws and socket head setscrews.
- Recommended seating torque values for locknuts:
  - for prevailing torque locknuts - use 65% of grade 5 torques.
  - for flange whizlock nuts and screws - use 135% of grade 5 torques.
- Unless otherwise noted on assembly drawings, all torque values must meet this specification.

## Common Hardware Types

Hex Head Capscrew



Washer



Carriage Bolt



Hex Nut

## Wrench & Fastener Size Guide

1/4" Bolt or Nut Wrench—7/16"	5/16" Bolt or Nut Wrench—1/2"	3/8" Bolt or Nut Wrench—9/16"	7/16" Bolt or Nut Wrench (Bolt)—5/8" Wrench (Nut)—11/16"	1/2" Bolt or Nut Wrench—3/4"
M6 Bolt or Nut Wrench—10mm	M8 Bolt or Nut Wrench—13mm	M10 Bolt or Nut Wrench—17mm	M12 Bolt or Nut Wrench—19mm	M14 Bolt or Nut Wrench—22mm

